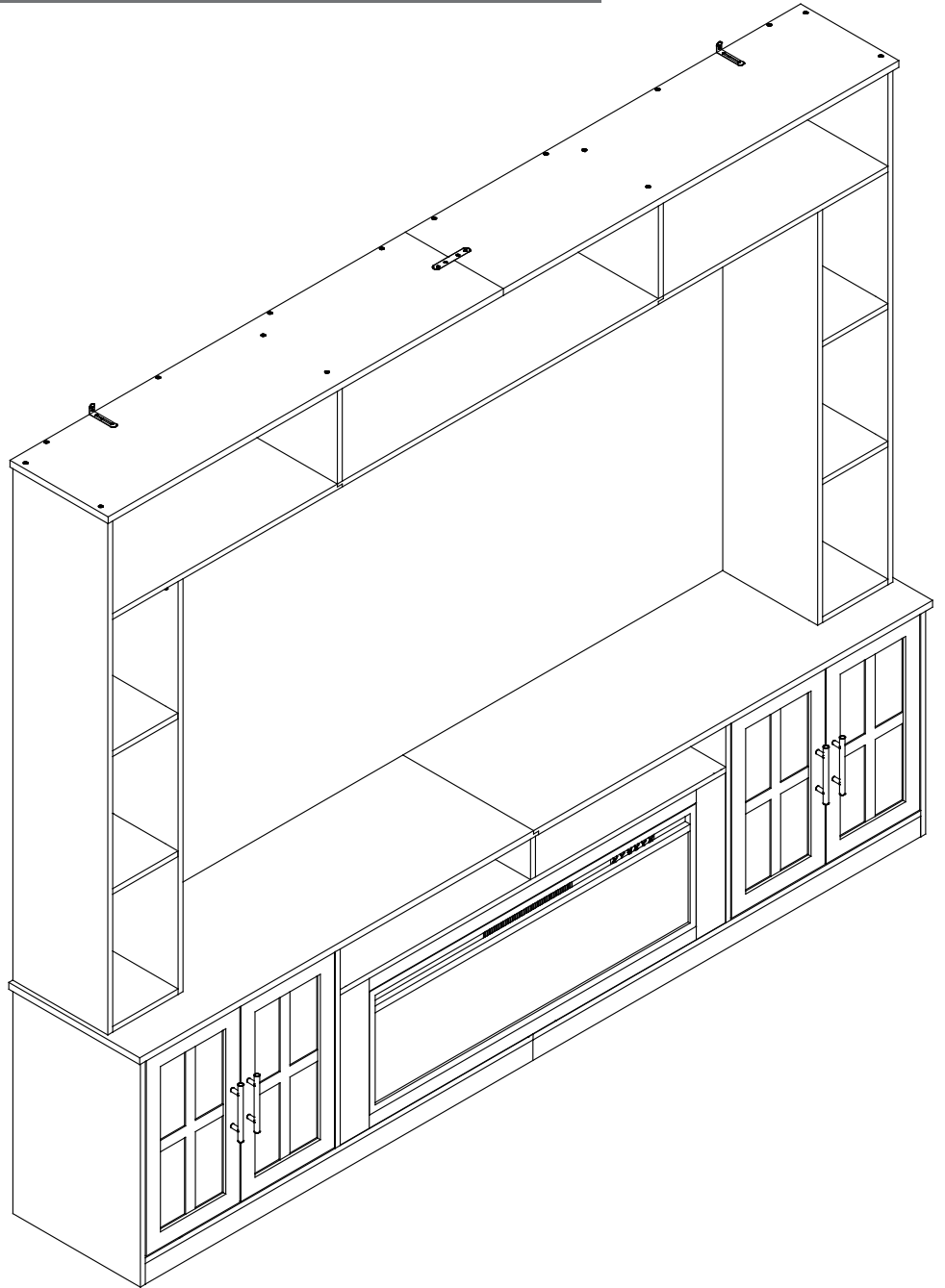


# TV STAND

Assembly Instructions - Please keep for future reference



## Dimensions

Width- 95.5inch

Depth-40inch

Height-78.75inch

Important – Please read these instructions fully before starting assembly



# Safety and Care Advice

**Important – Please read these instructions fully before starting assembly**

- Check you have all the components and tools listed on the following pages.
- Remove all fittings from the plastic bags and separate them into their groups.
- Keep children and animals away from the work area, small parts could choke if swallowed.
- Make sure you have enough space to layout the parts before starting.

- During assembly do not stand or put weight on the product, this could cause damage.
- Assemble the item as close to its final position (in the same room) as possible.
- Assemble on a soft level surface to avoid damaging the unit or your floor.
- Parts of the assembly will be easier with 2 people.



power drill is set on a low torque setting.

- To reduce the likelihood of damaging your product please ensure that your

## Care and maintenance

• Only clean using a damp cloth and mild detergent, do not use bleach or abrasive cleaners.

• From time to time check that there are no loose screws on this unit.

• This product should not be discarded with household waste. Take to your local authority waste disposal centre.

## Handy Hints

• Assemble all parts and bolts loosely during assembly, only once the product is complete should you fully tighten the bolts

• Regularly check and ensure That all bolts and fittings are tightened properly.

## **WARNING** In order to help prevent overturning – please follow these instructions

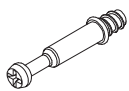


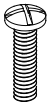
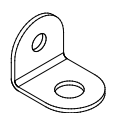
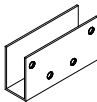

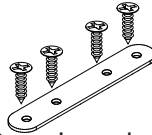

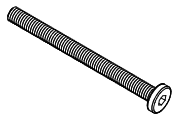
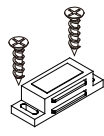

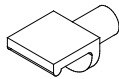
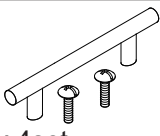
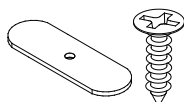
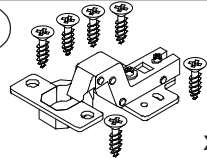
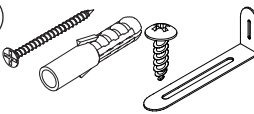

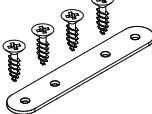
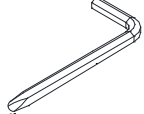
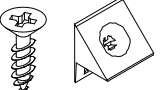
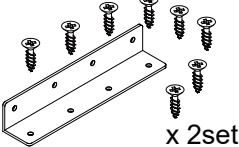
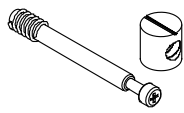
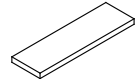
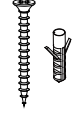
To help prevent product toppling over please follow the below steps:-

- Use the anti tip stap or wall fixing method provided (if applicable)
- Do not allow children to climb or hang on the furniture
- Do not open more than one drawer at a time
- Do not place heavy items in the top drawers
- Do not place heavy items on top of the furniture, unless the furniture has been designed for this purpose

# Components - Fittings

Please check you have all the panels listed below

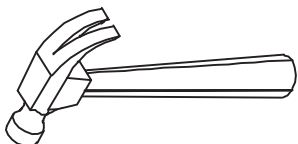
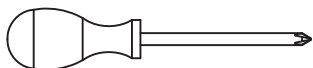
Note: The quantities below are the correct amount to complete the assembly. In some cases more fittings may be supplied than are required

<p>(A)  Cam Bolt x 82+2</p>	<p>(B)  6*30mm Dowel x 96+2</p>	<p>(C)  Cam lock x 84+2</p>	<p>(D)  5*16mm Screw x 10+1</p>
<p>(E)  x 8</p>	<p>(F)  Iron pipe fitting x 1</p>	<p>(G)  4*12mm Screw x 8+1</p>	<p>(H)  3.5*12mm Iron sheet x 2</p>
<p>(I)  4*40mm Screw x 58+2</p>	<p>(J)  6*50mm Screw x 4</p>	<p>(K)  x 2set</p>	<p>(L)  6*40mm Dowel x 10+1</p>
<p>(M)  Laminate support x 8+1</p>	<p>(N)  Handle x 4set</p>	<p>(O)  x 4set</p>	<p>(P)  x 8set</p>
<p>(Q)  4set</p>	<p>(R)  Perfect fit x 42</p>	<p>(S)  3.5*14mm Iron sheet x 5</p>	<p>(T)  Allen key x 1</p>
<p>(U)  x 28set</p>	<p>(V)  x 2set</p>	<p>(W)  x 2set</p>	<p>(X)  Foot pad x 12</p>
<p>(Y)  x 2</p>			

**Tools required** Not Included



Phillips screwdriver  
(medium & large)



# Using Camlocks

## Step 1

Connect the male camlock as directed in the assembly instructions using a screwdriver.

1

DO NOT OVER TIGHTEN.  
NE PAS SERRER EXCESSIVEMENT.



## Step 2

Push the male camlock into the entry hole.

2

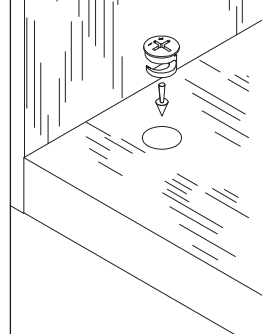


## Step 3

Insert the female camlock as shown in the instruction.

Note: ensure that the arrow on the top of the camlock points towards the entry hole for the male camlock.

3



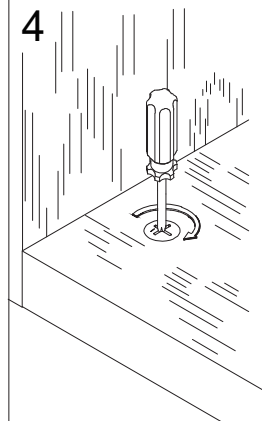
## Step 4

Turn the female camlock clockwise with a screwdriver.

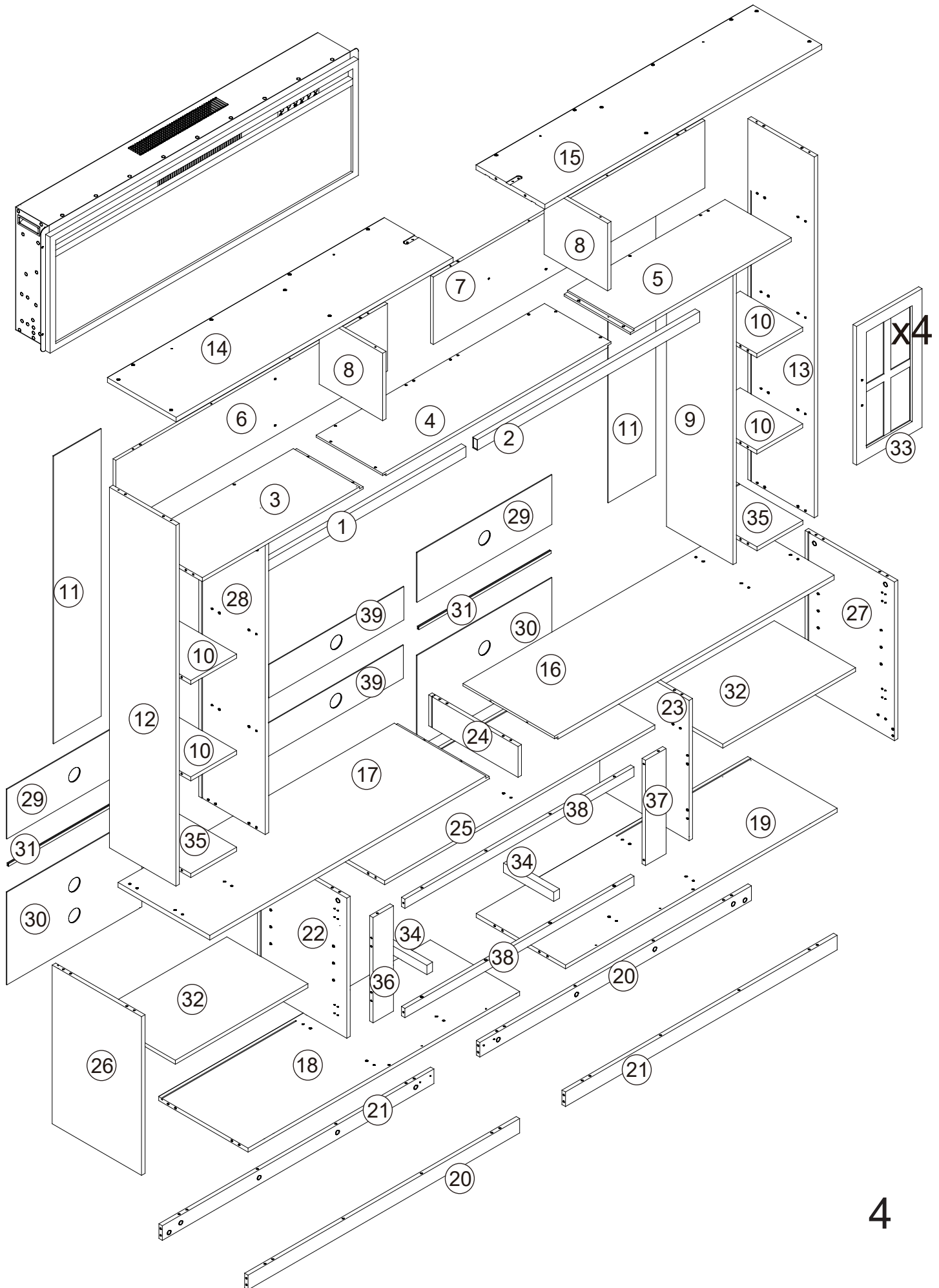
You should feel a click when the camlock is locked in place.

The joint is now secure.

4



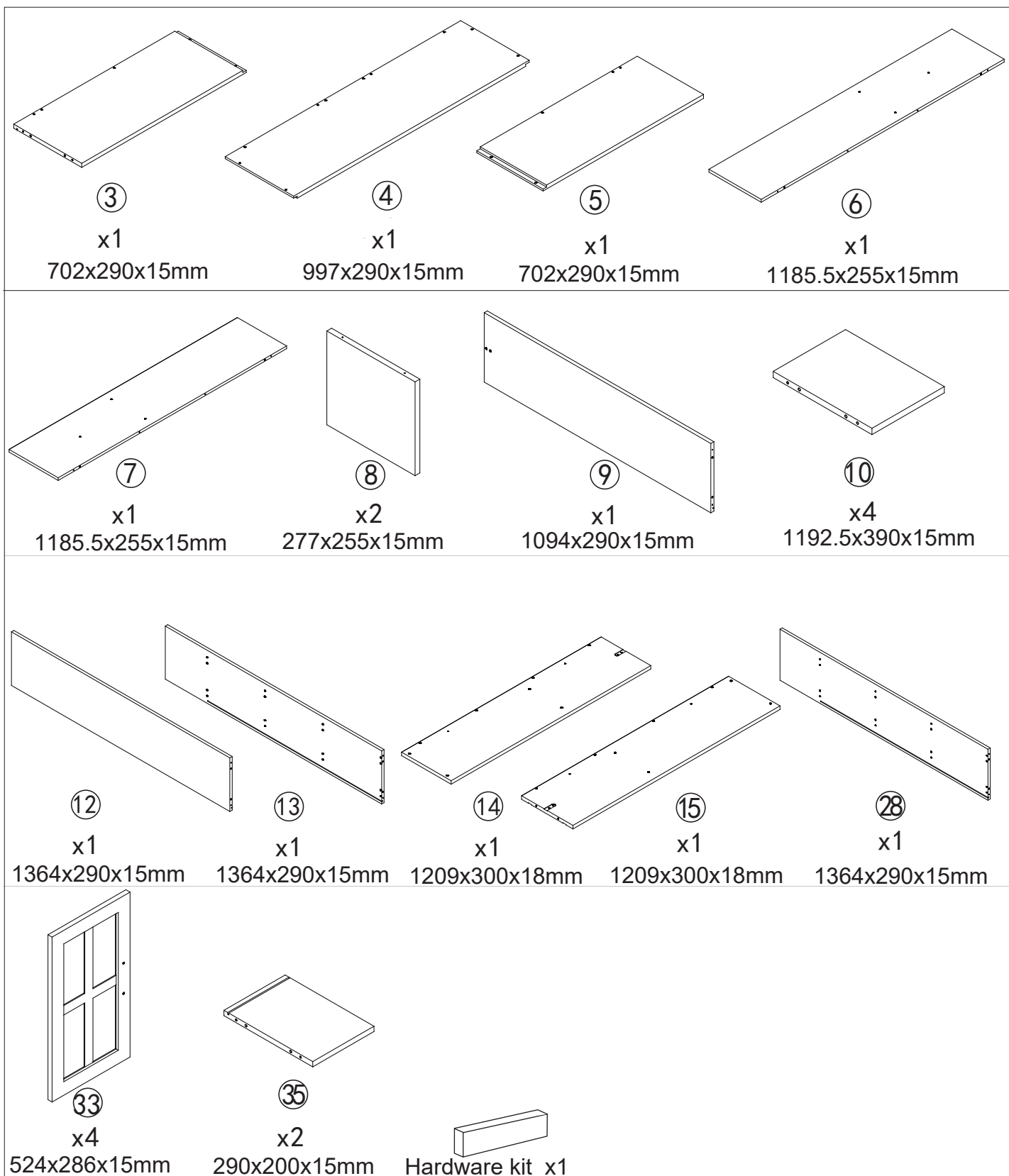
# Assembly Instructions



# PART LIST

This product comes in 3 box.

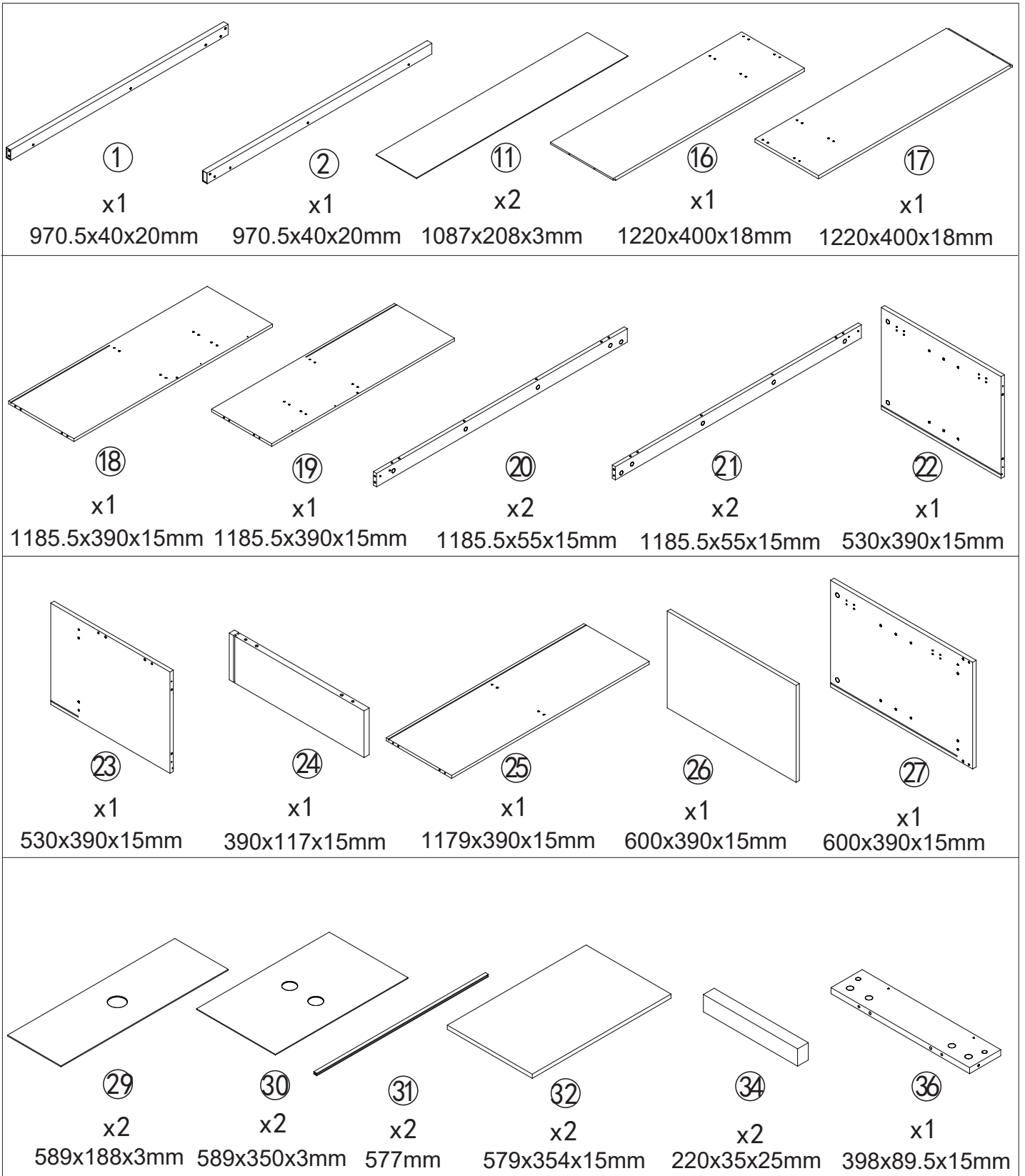
## Box 1



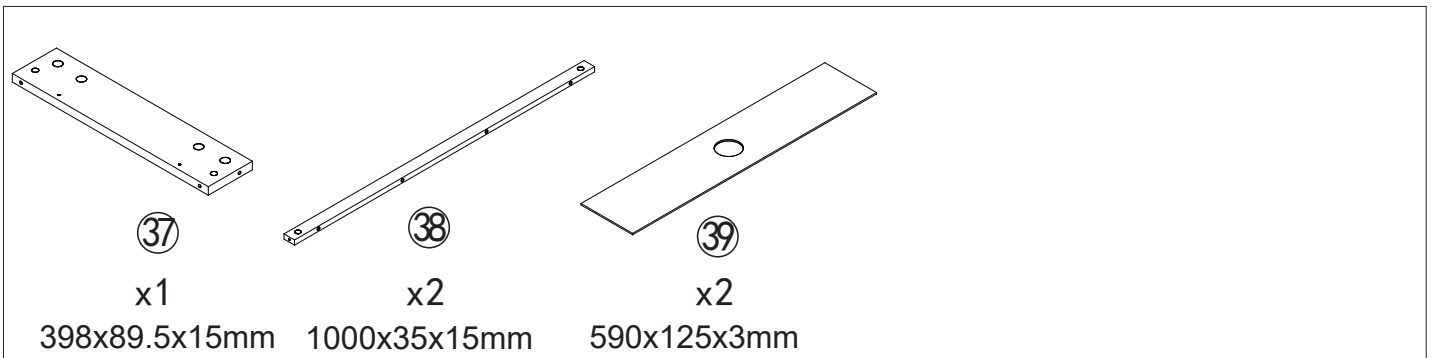
# PART LIST

This product comes in 3 box.

## Box 2

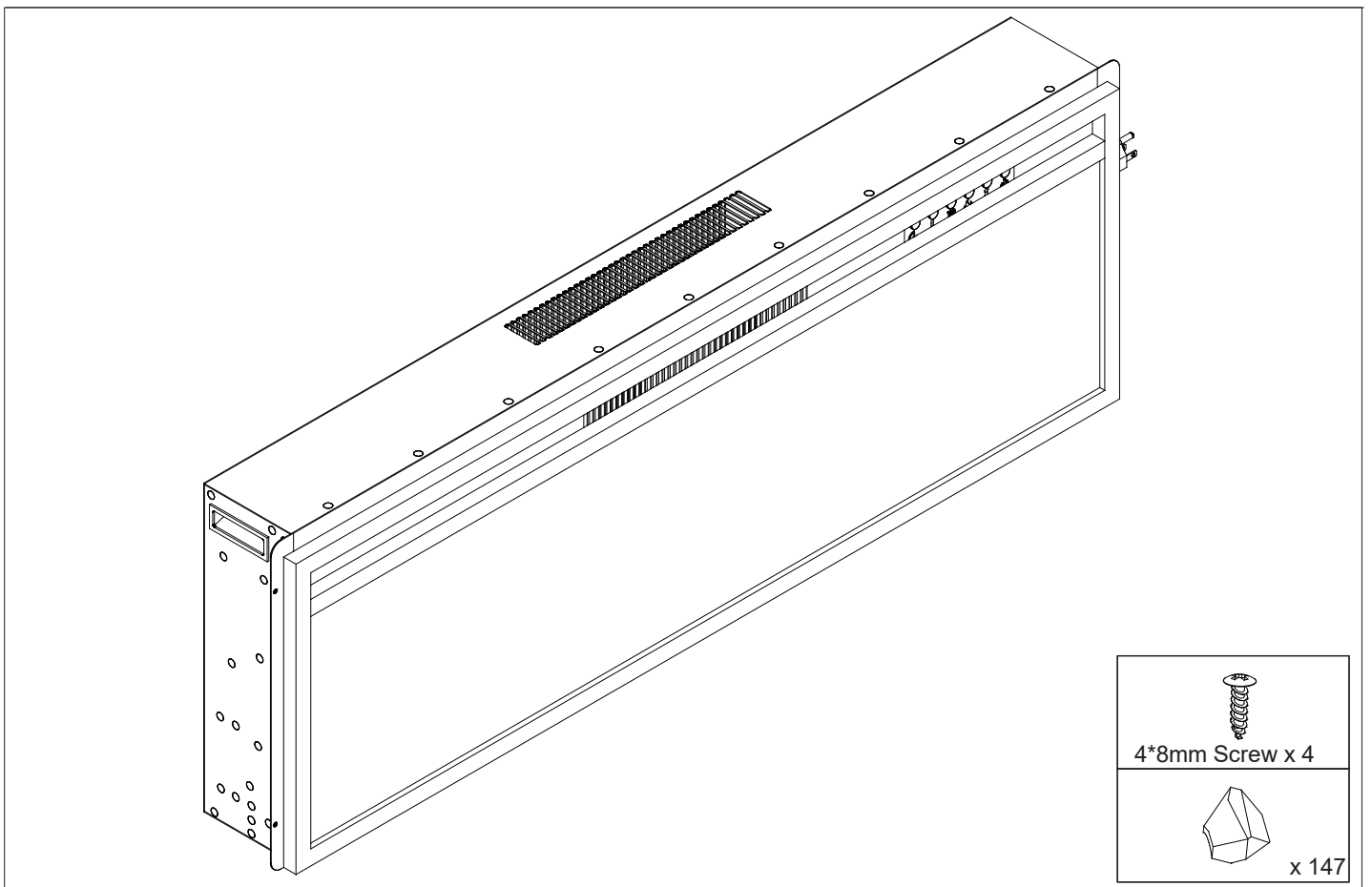


# PART LIST



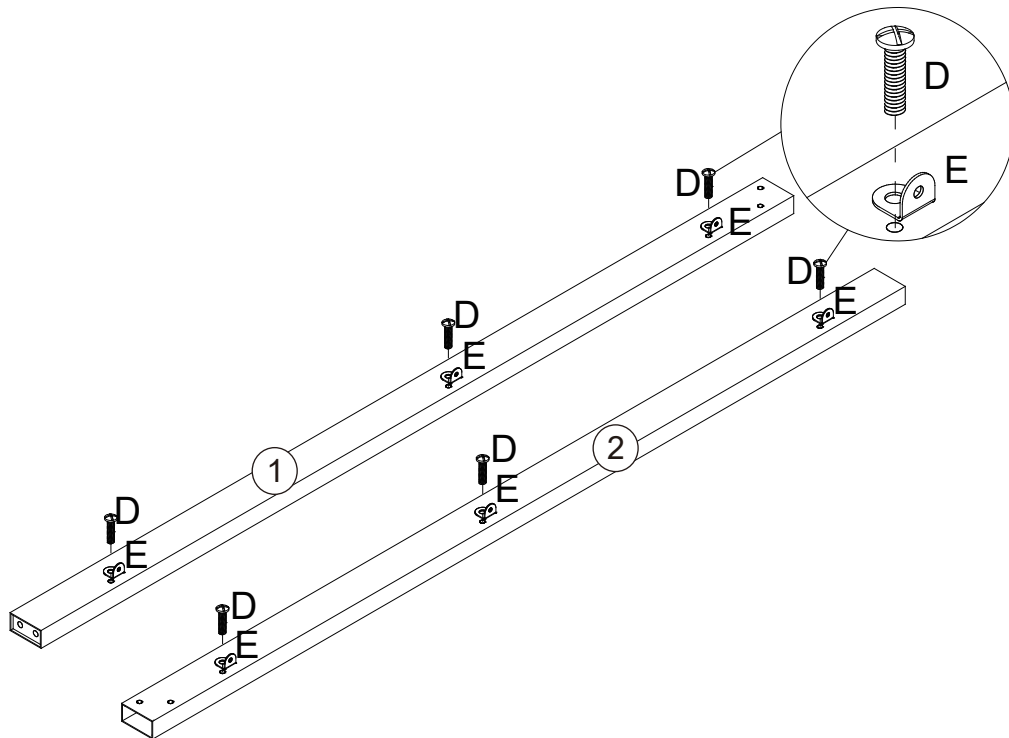
This product comes in 3 box.

Box 3

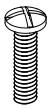


# Assembly Instructions

## Step 1

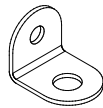


D



5\*16mm Screw x 6

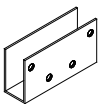
E



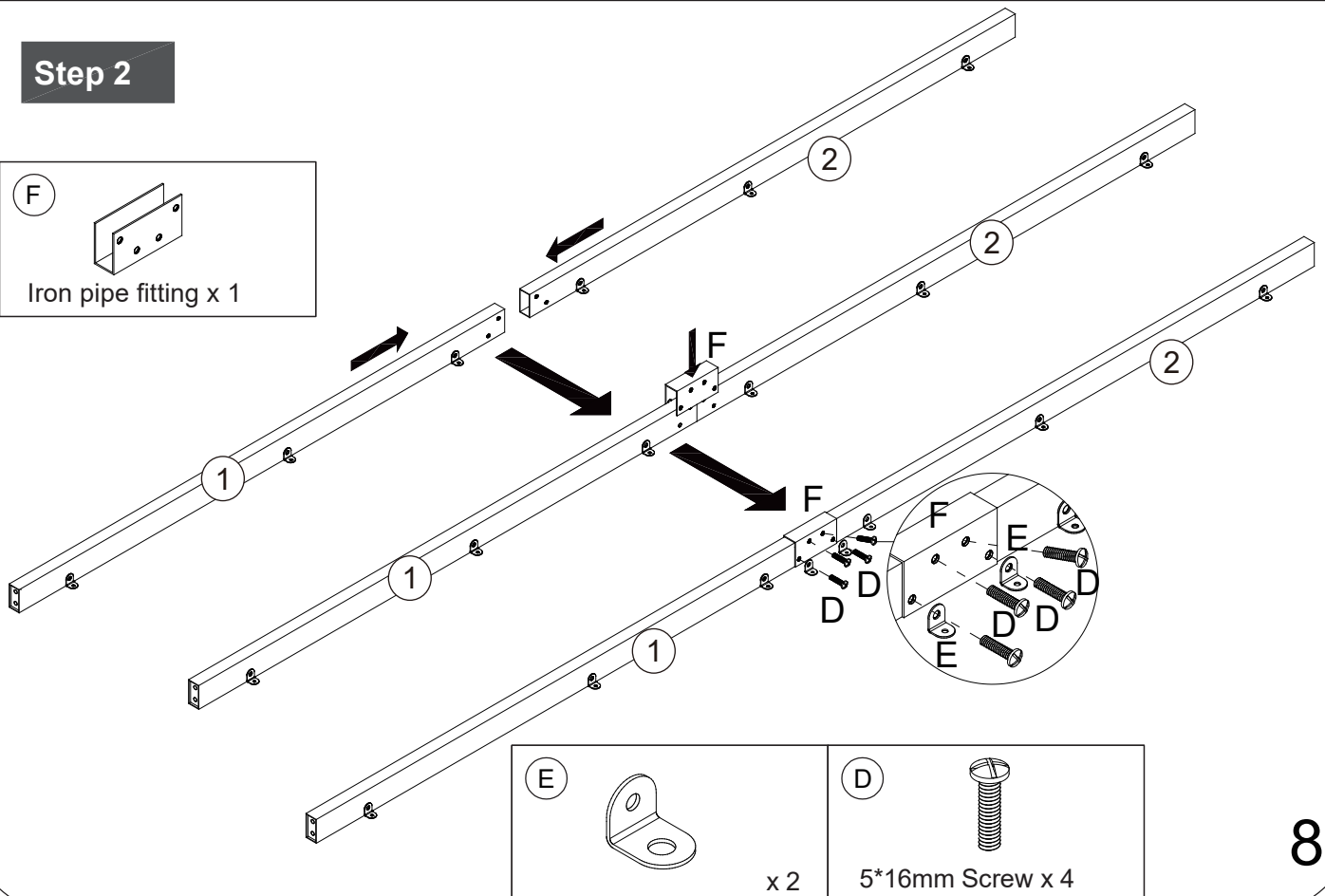
x 6

## Step 2

F

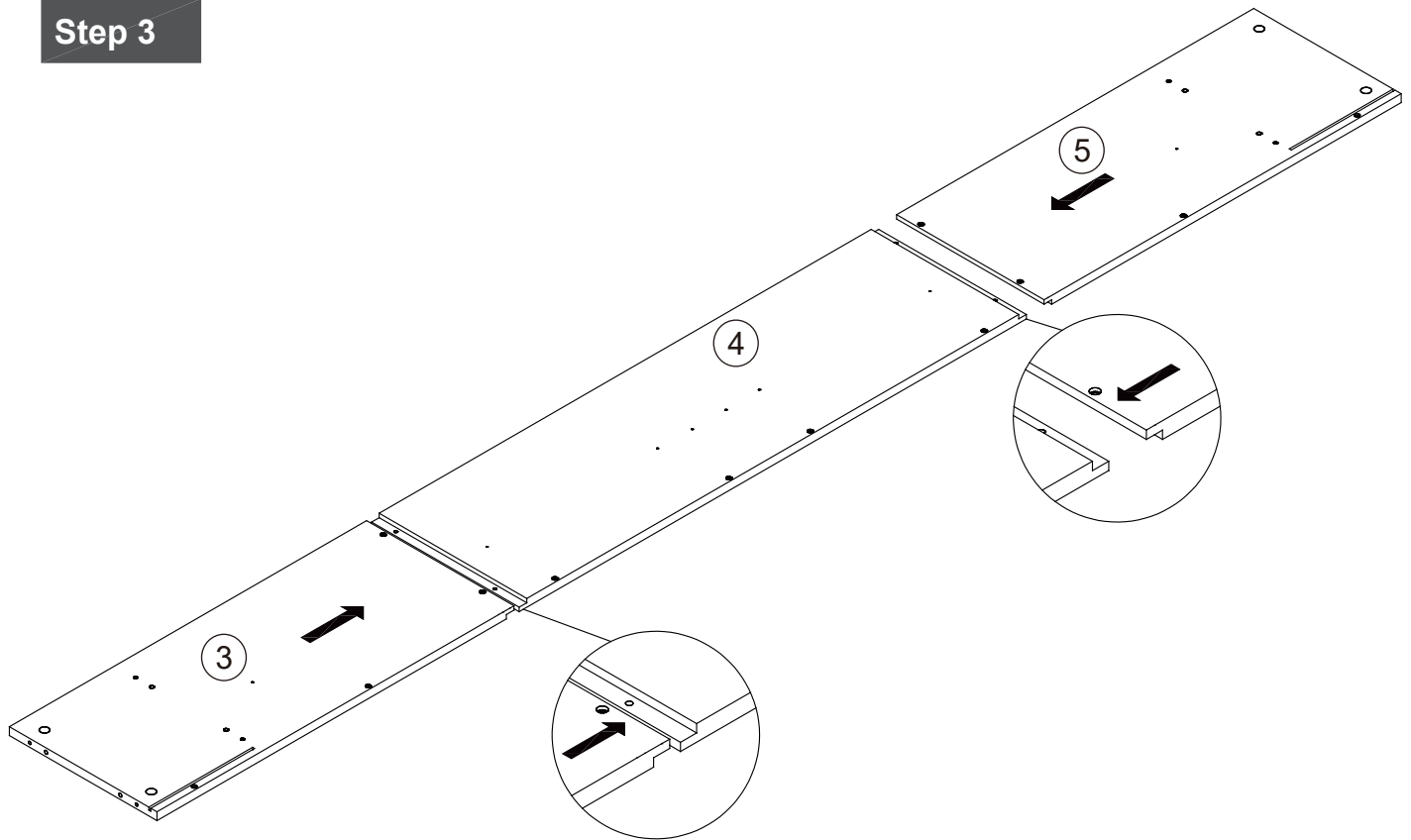


Iron pipe fitting x 1

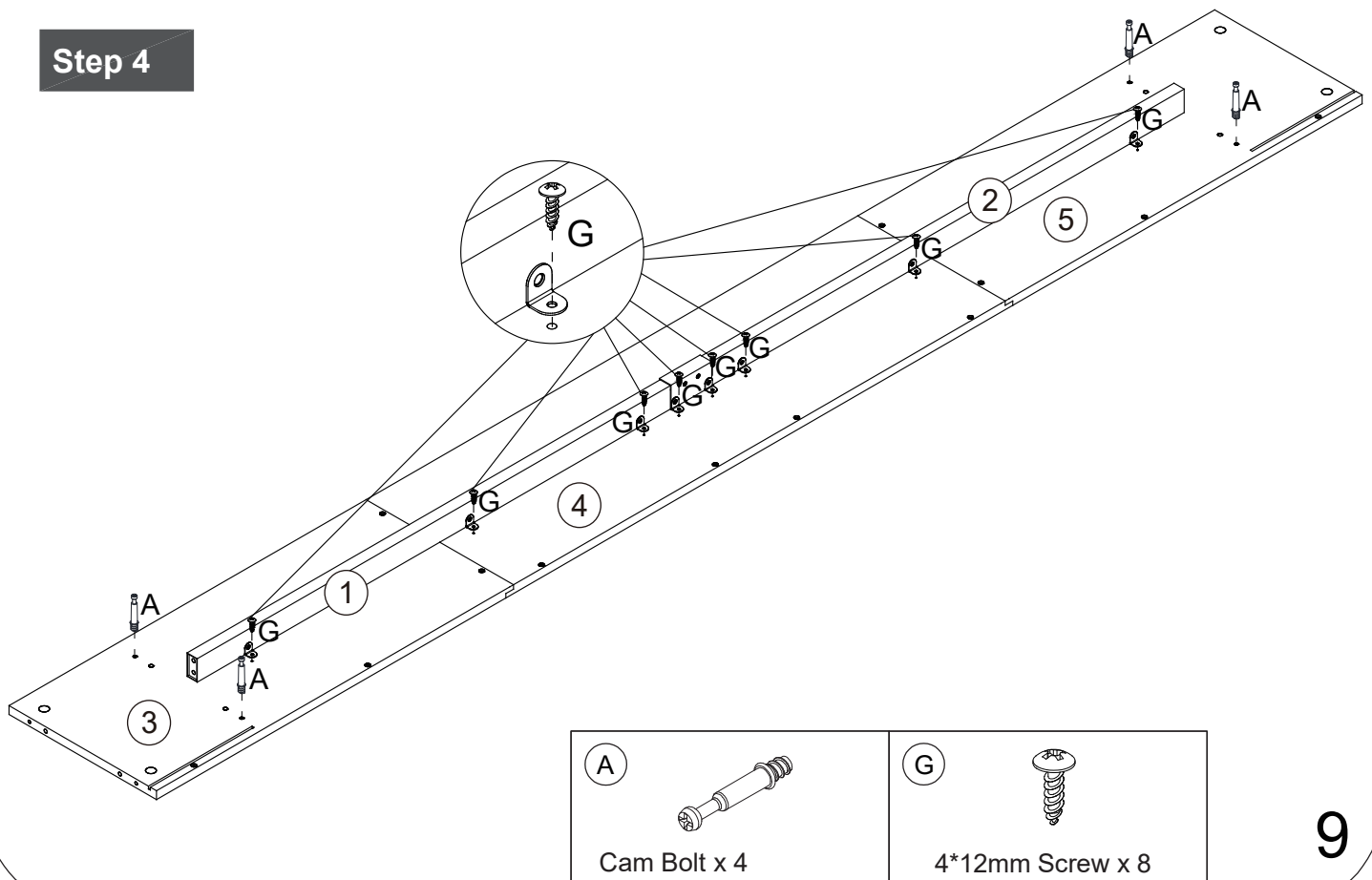


# Assembly Instructions

## Step 3

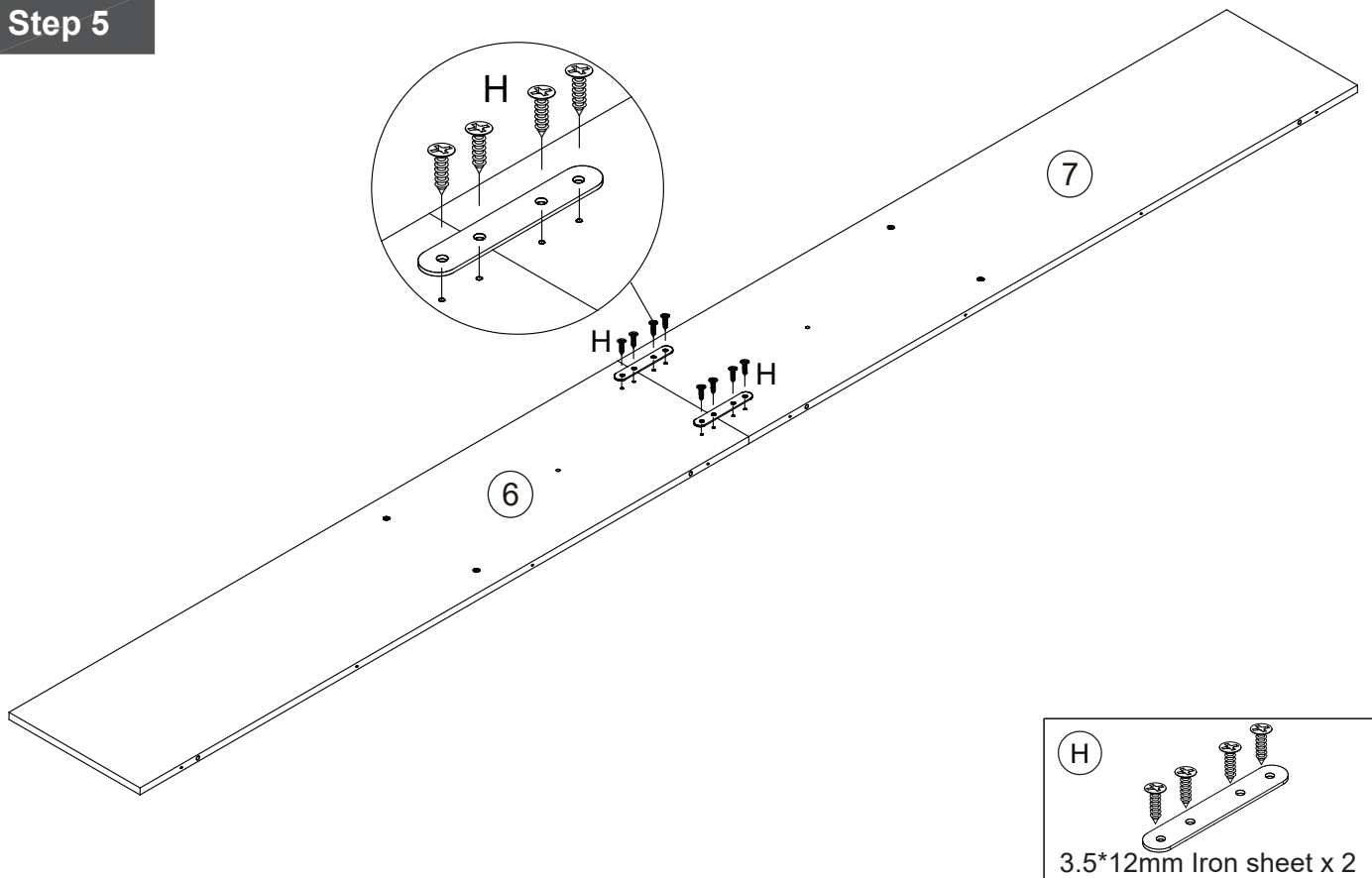


## Step 4

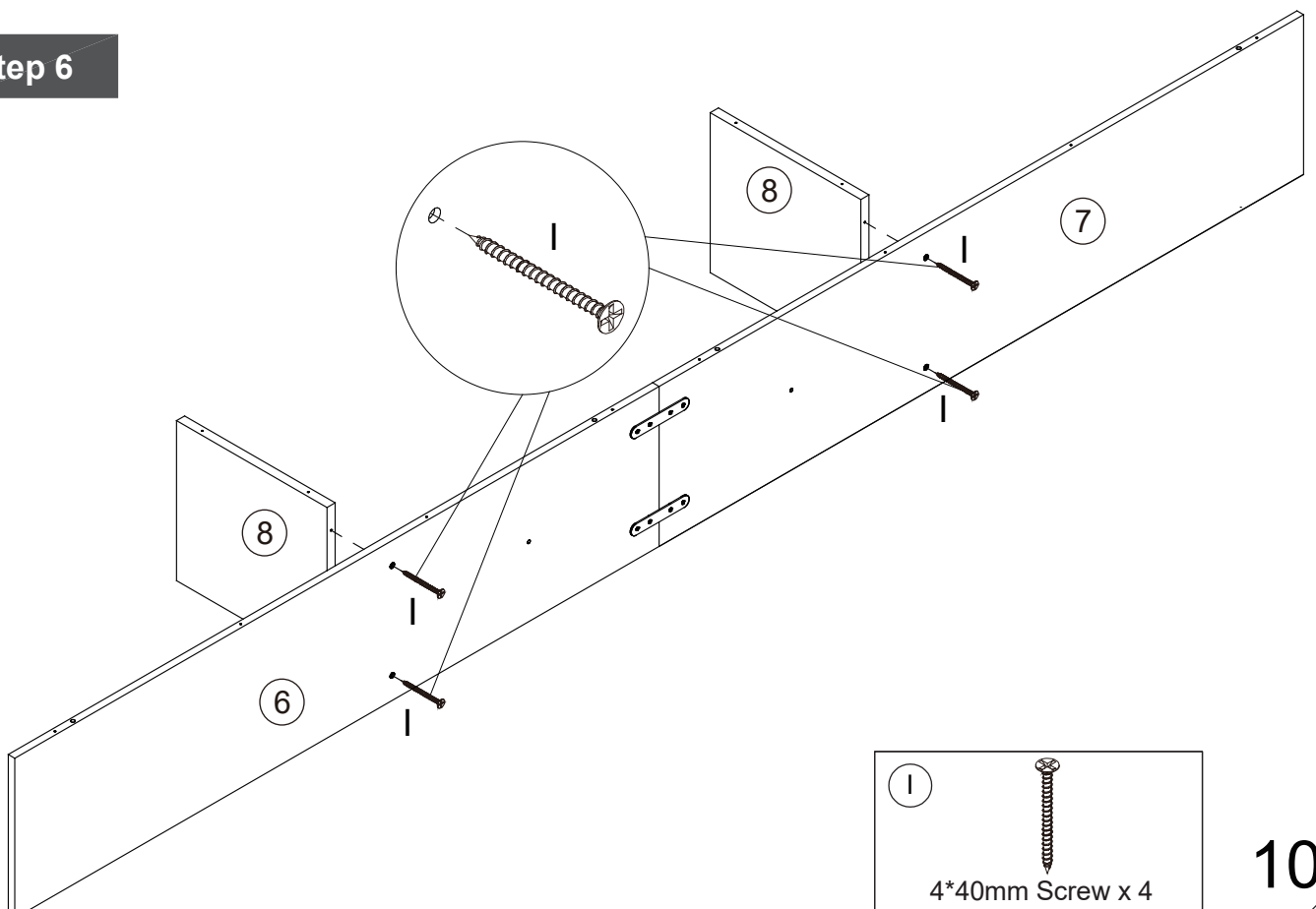


# Assembly Instructions

## Step 5

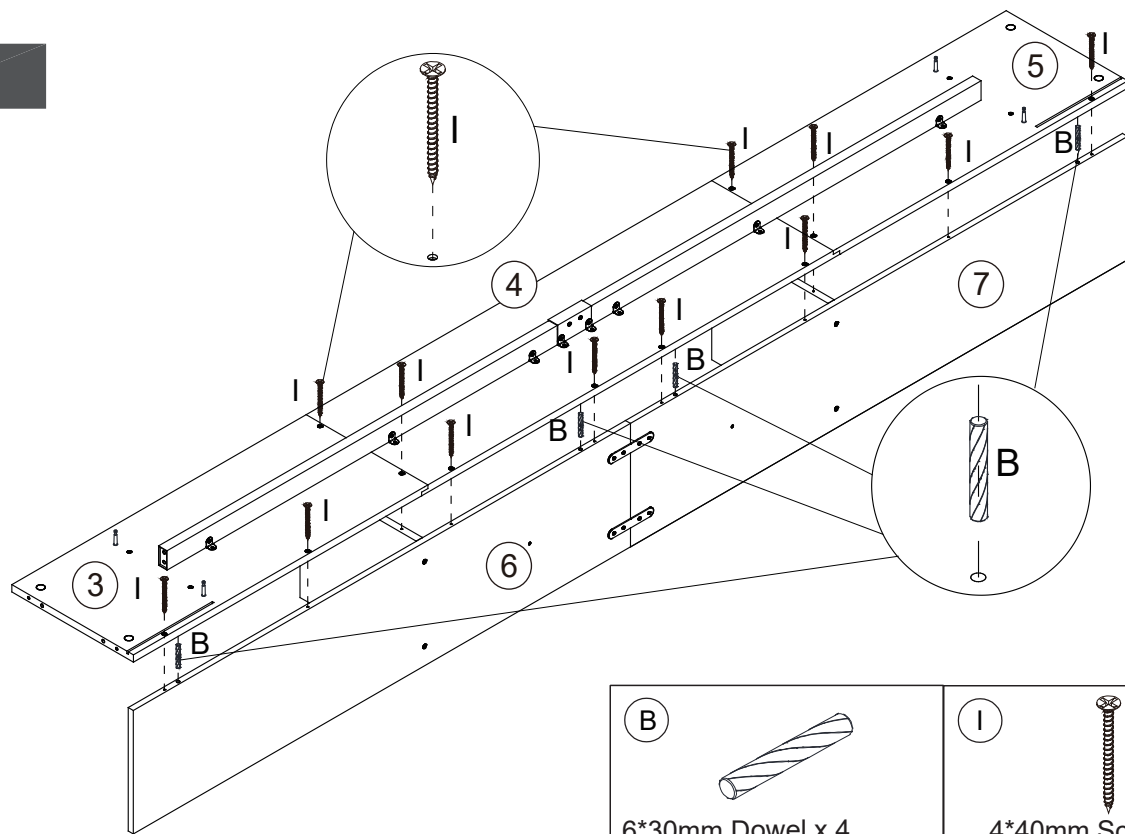


## Step 6

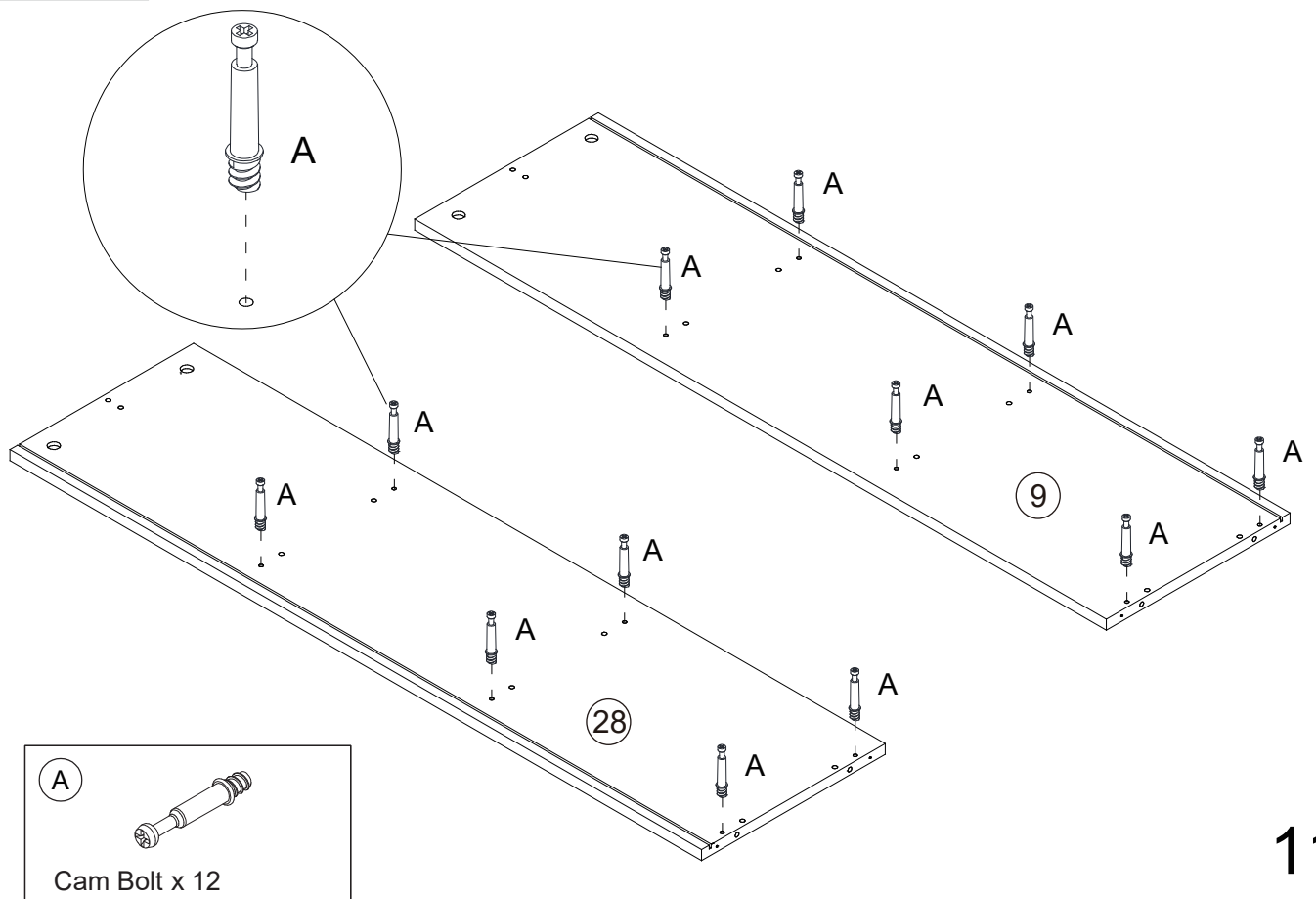


# Assembly Instructions

## Step 7

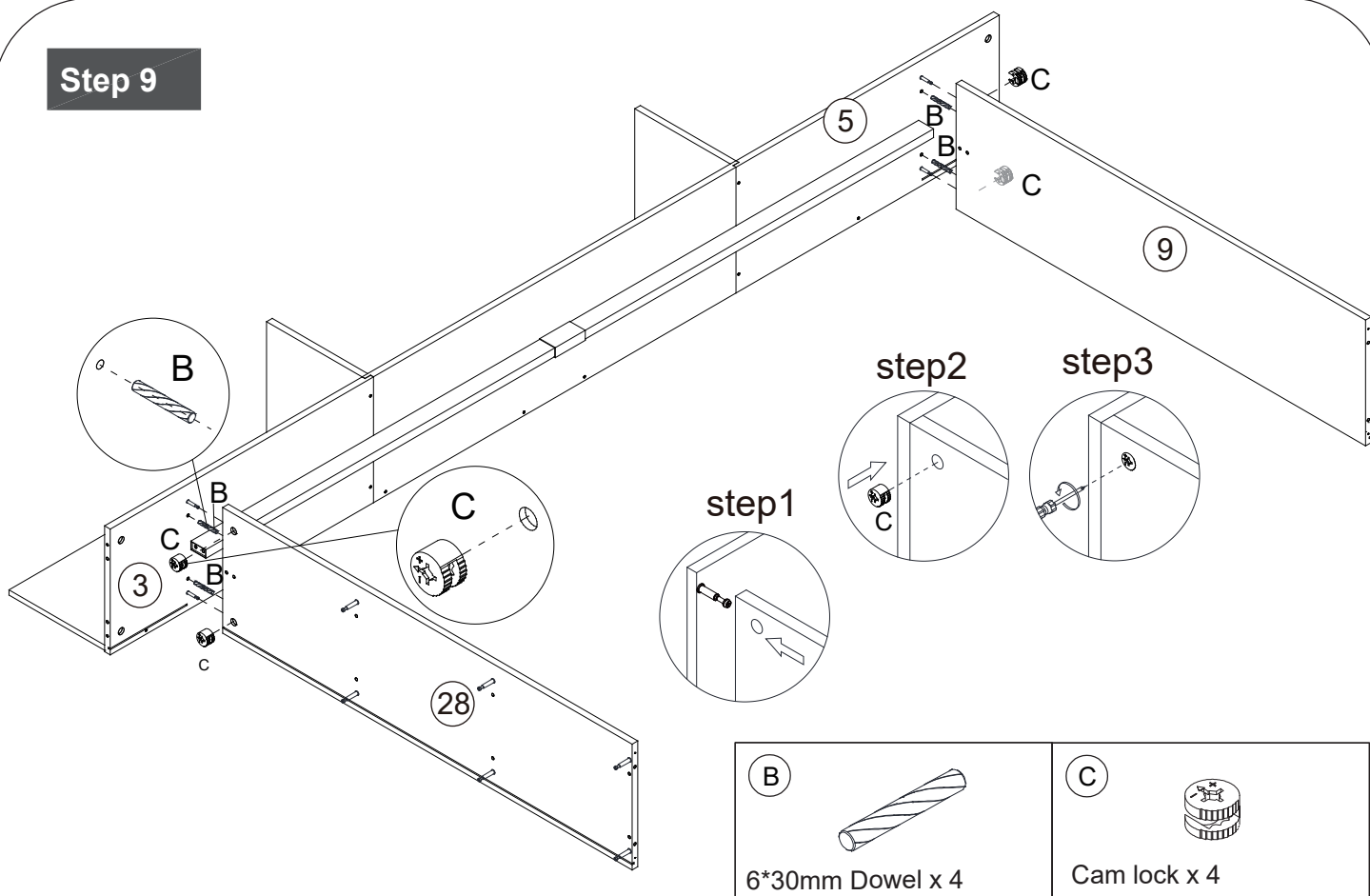


## Step 8

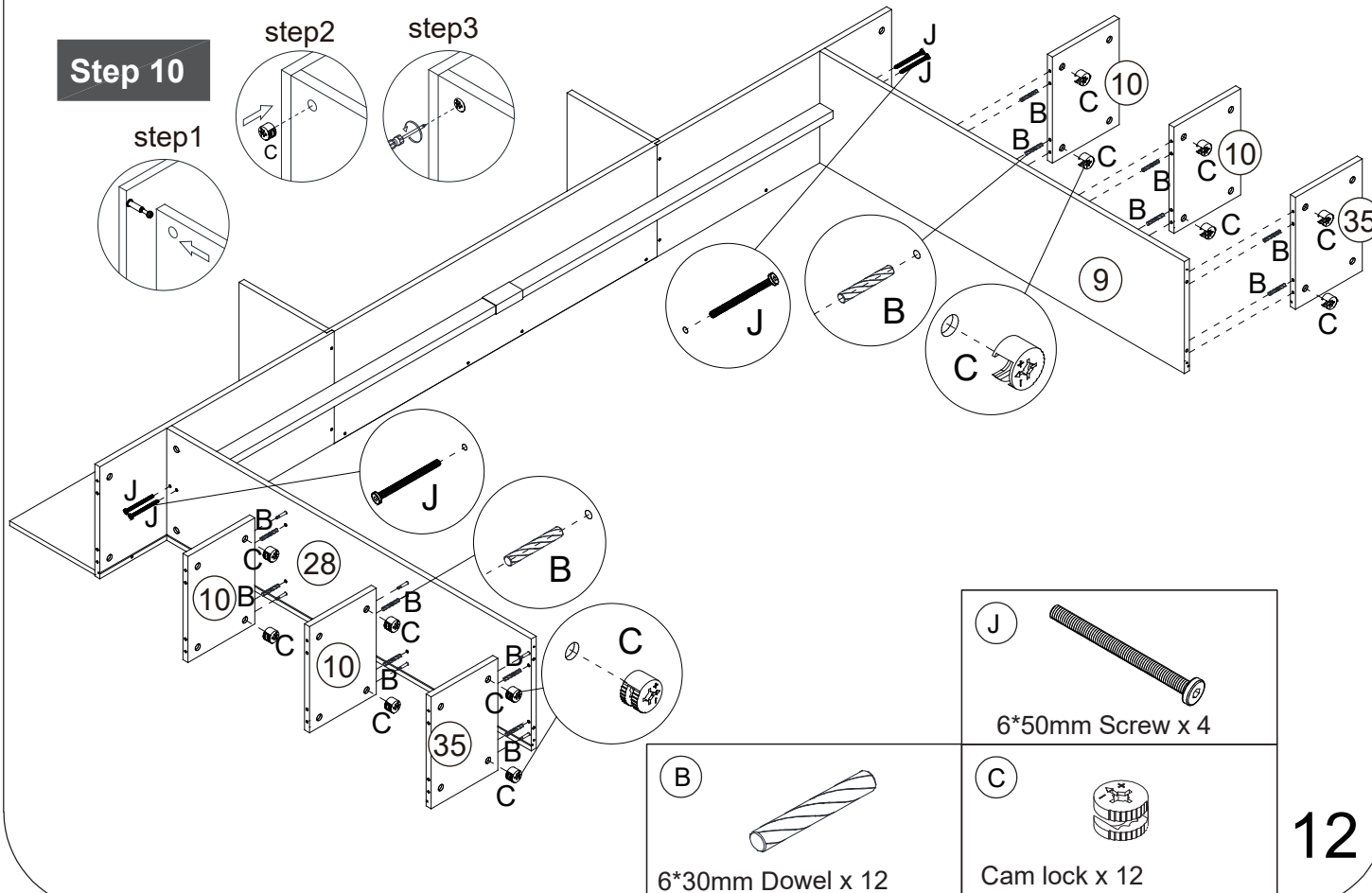


# Assembly Instructions

## Step 9

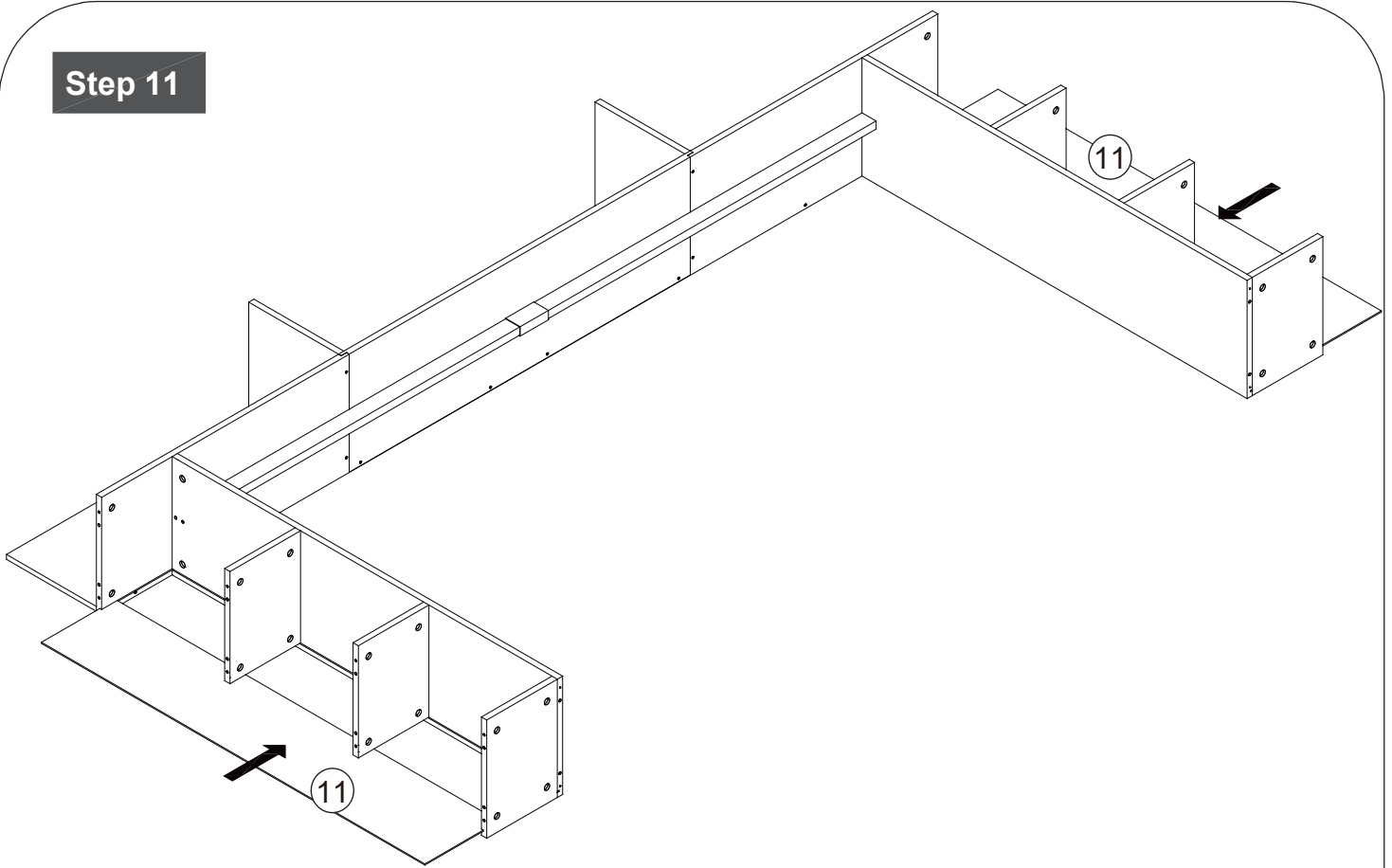


## Step 10

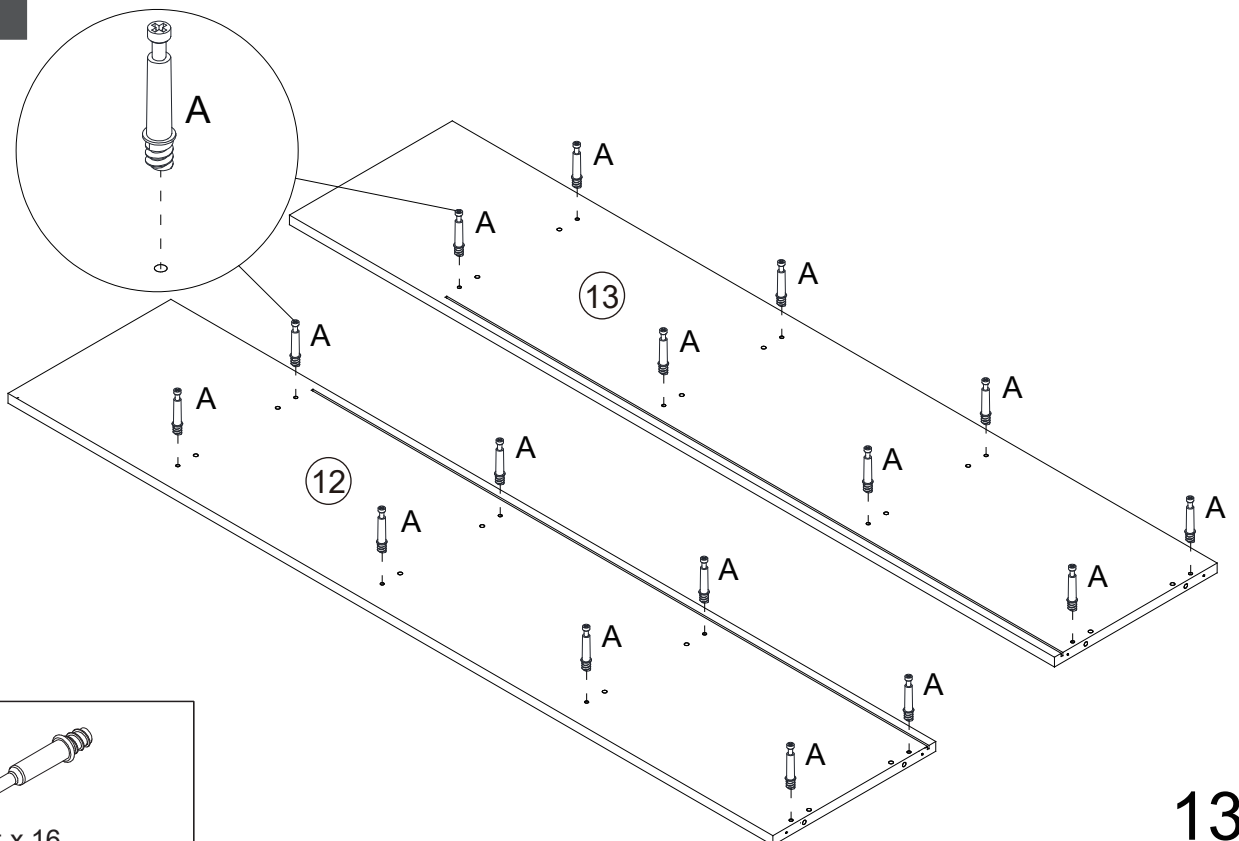


# Assembly Instructions

## Step 11

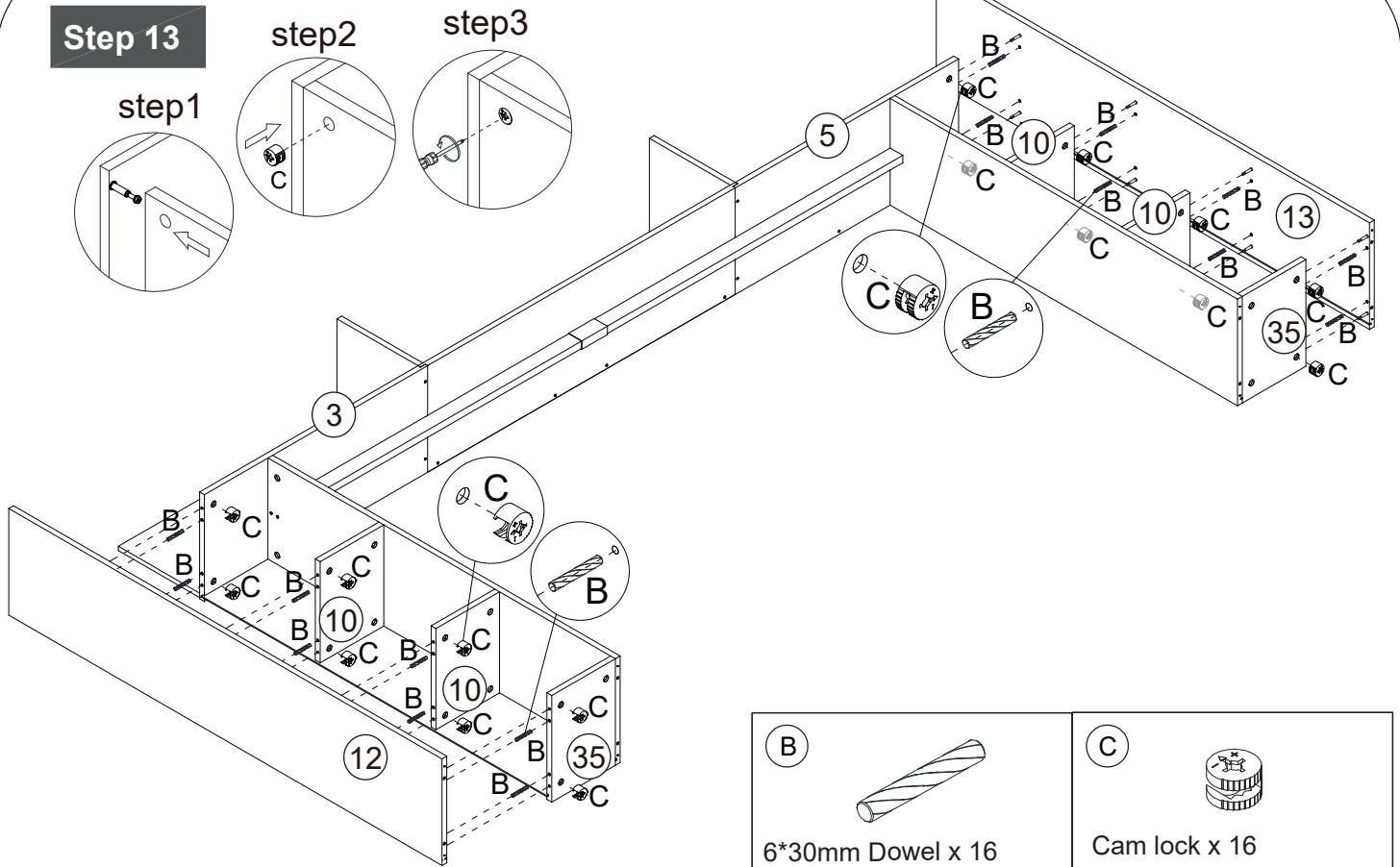


## Step 12

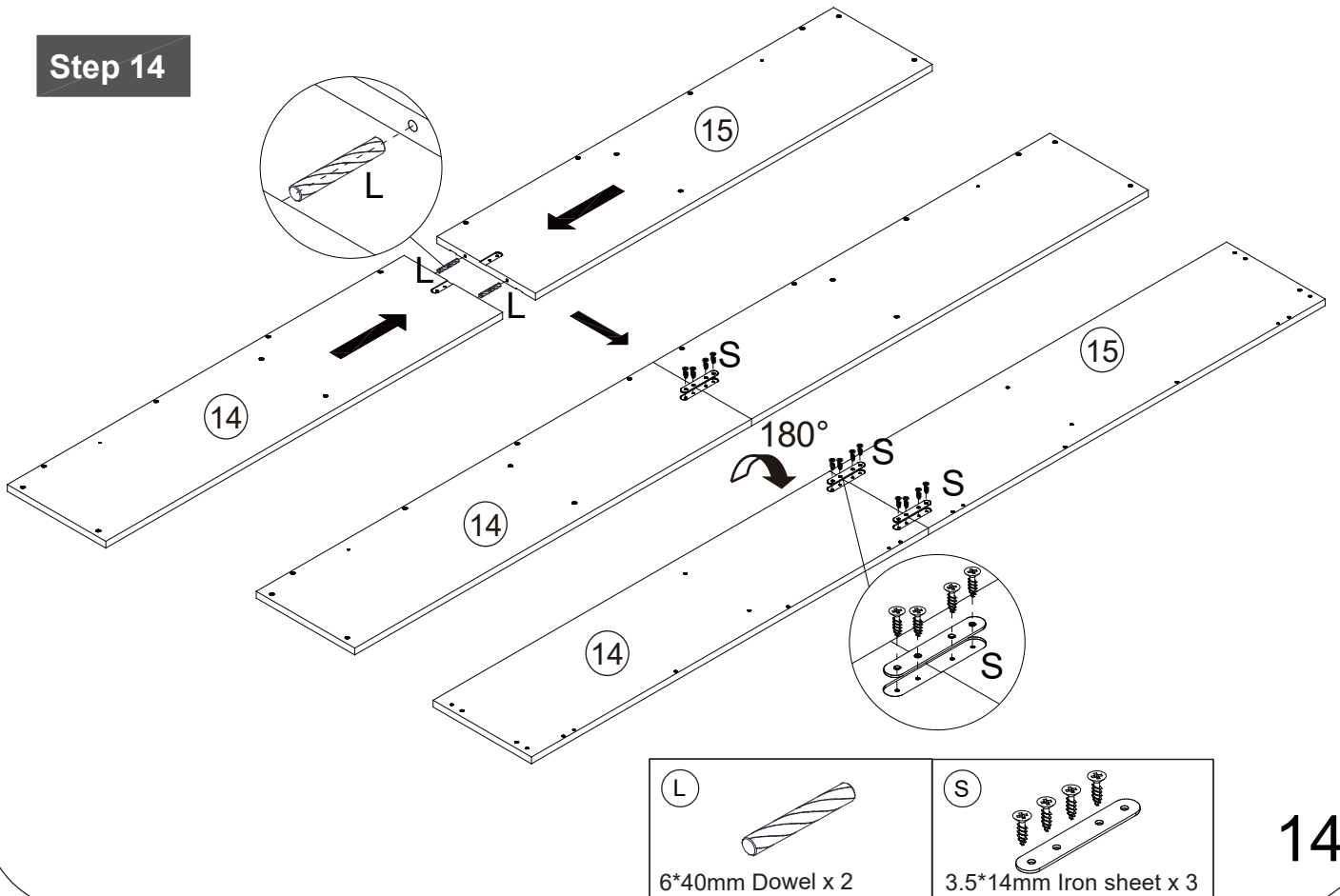


# Assembly Instructions

## Step 13

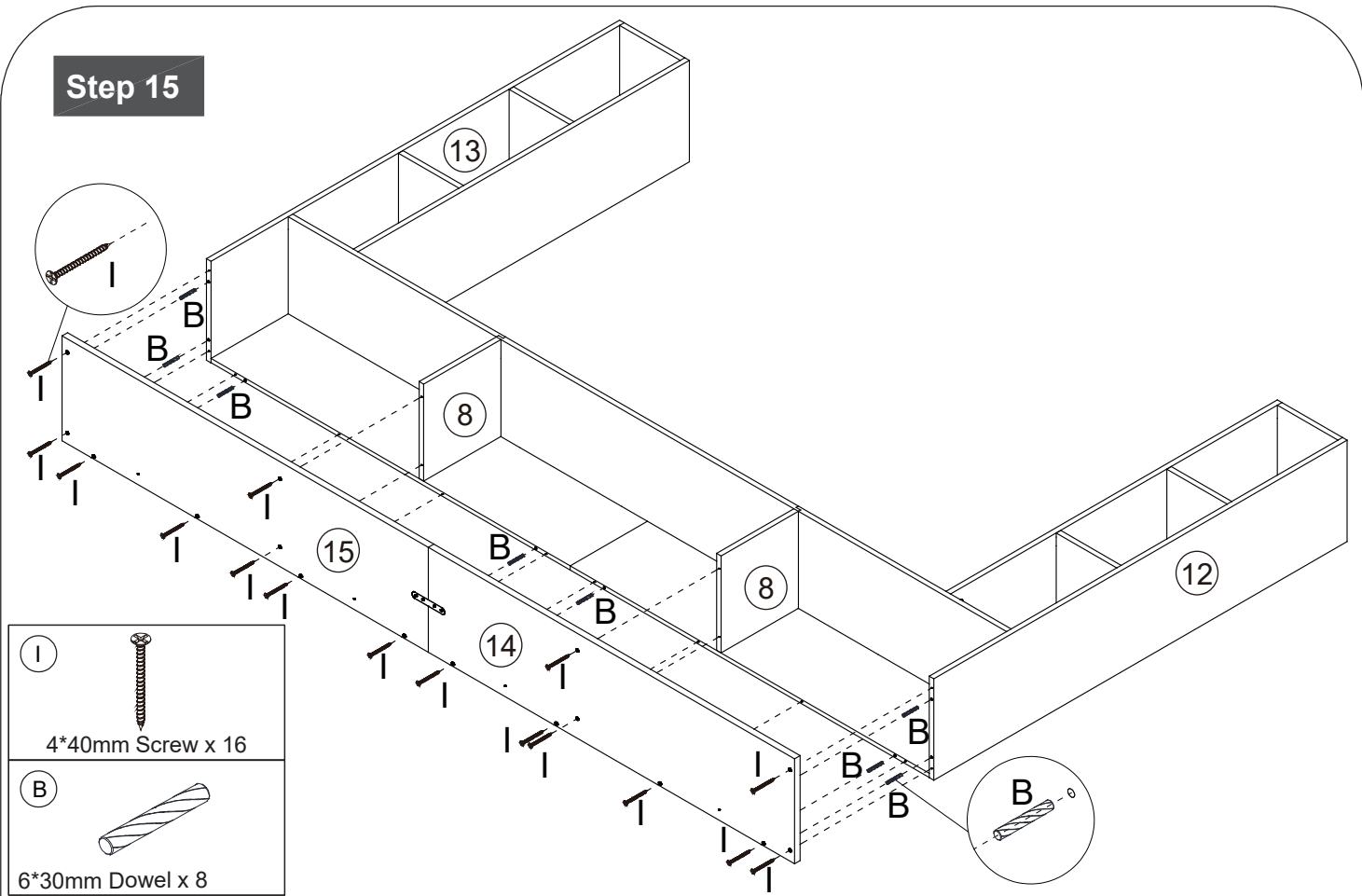


## Step 14

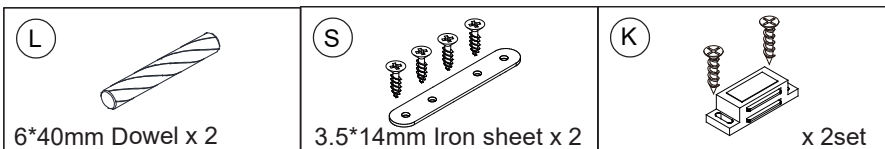
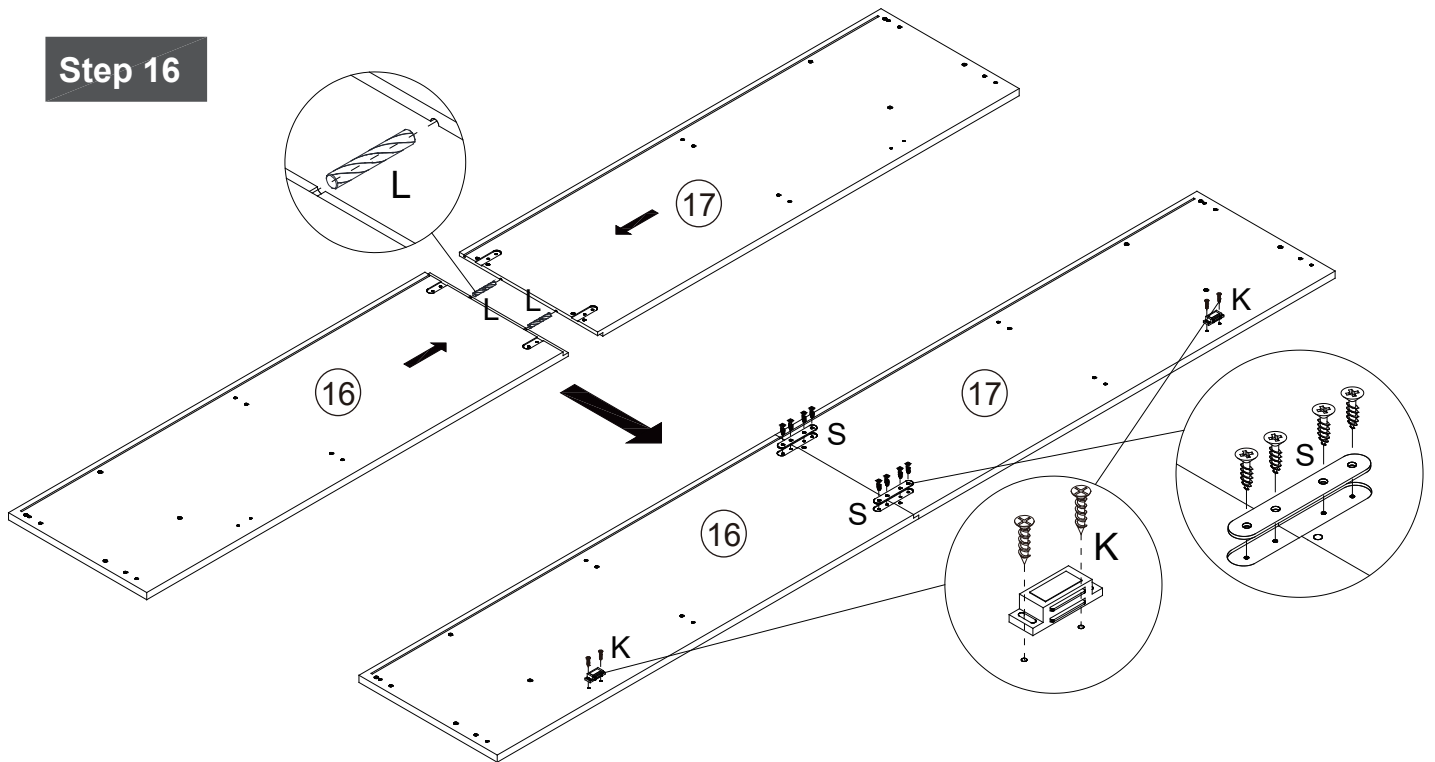


# Assembly Instructions

## Step 15

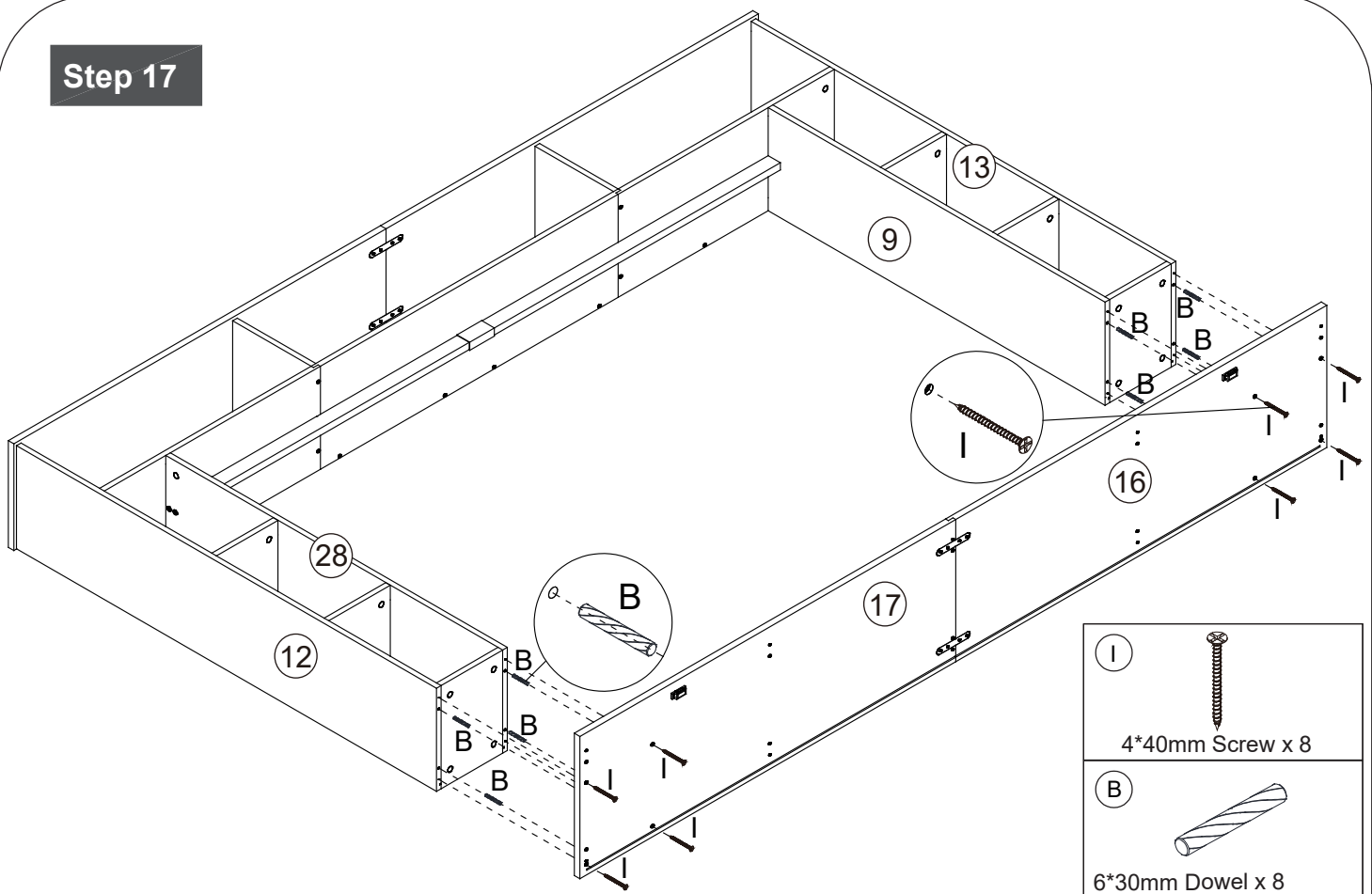


## Step 16

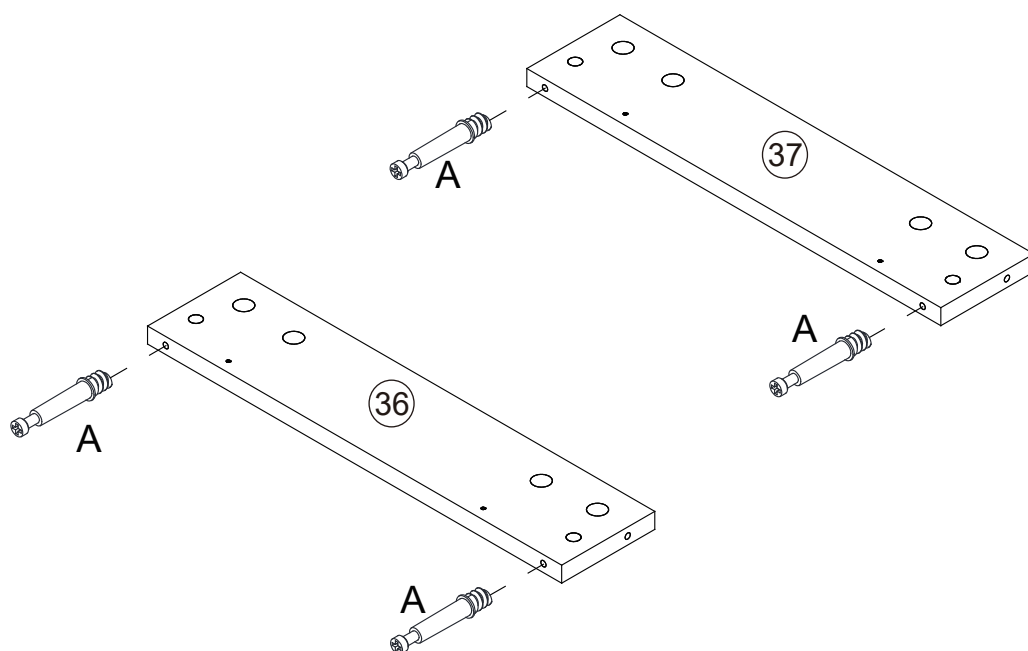


# Assembly Instructions

## Step 17

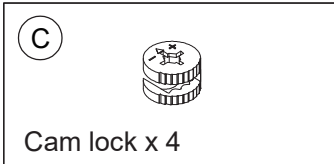
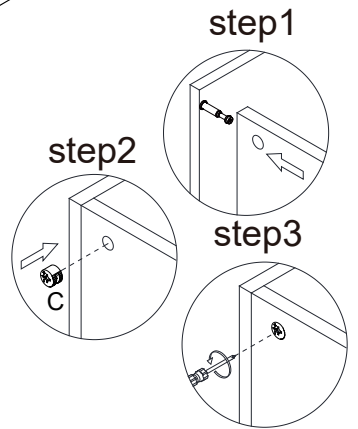
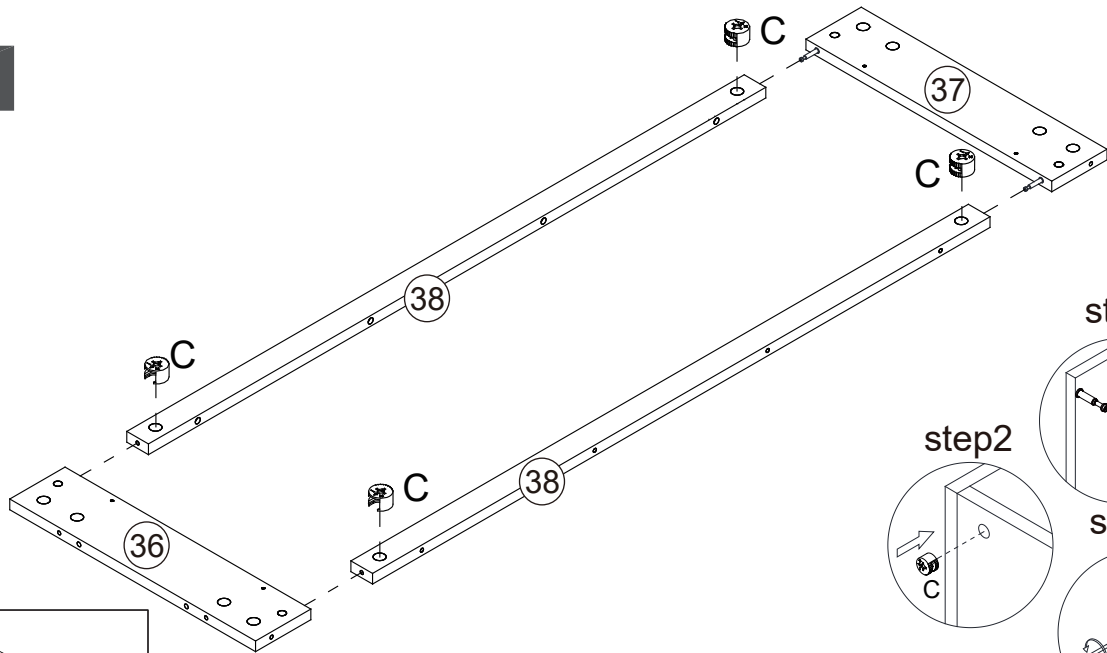


## Step 18

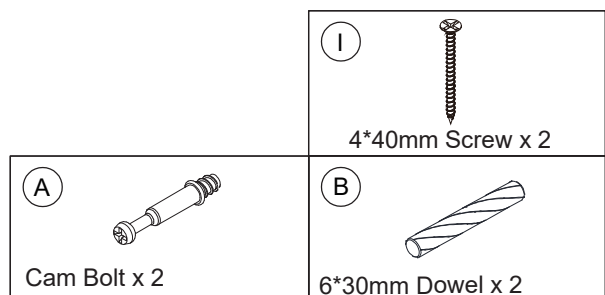
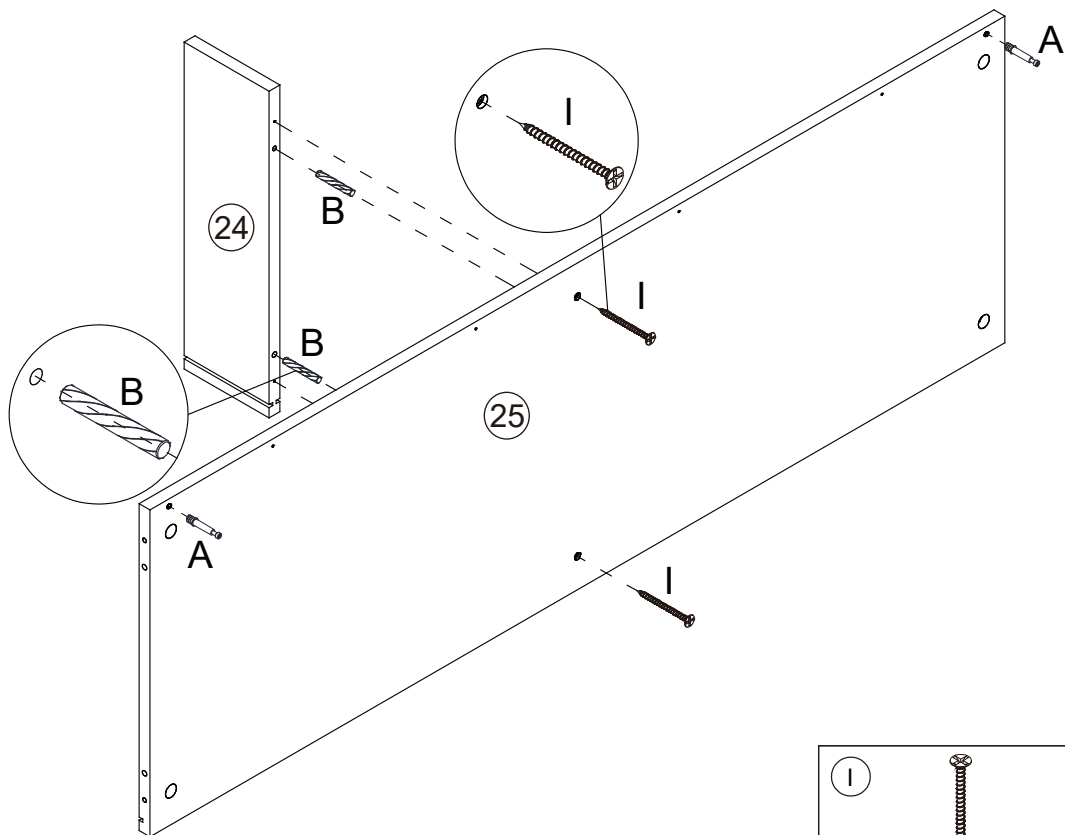


# Assembly Instructions

## Step 19

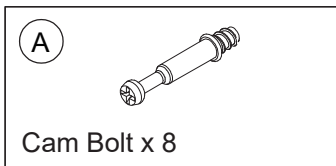
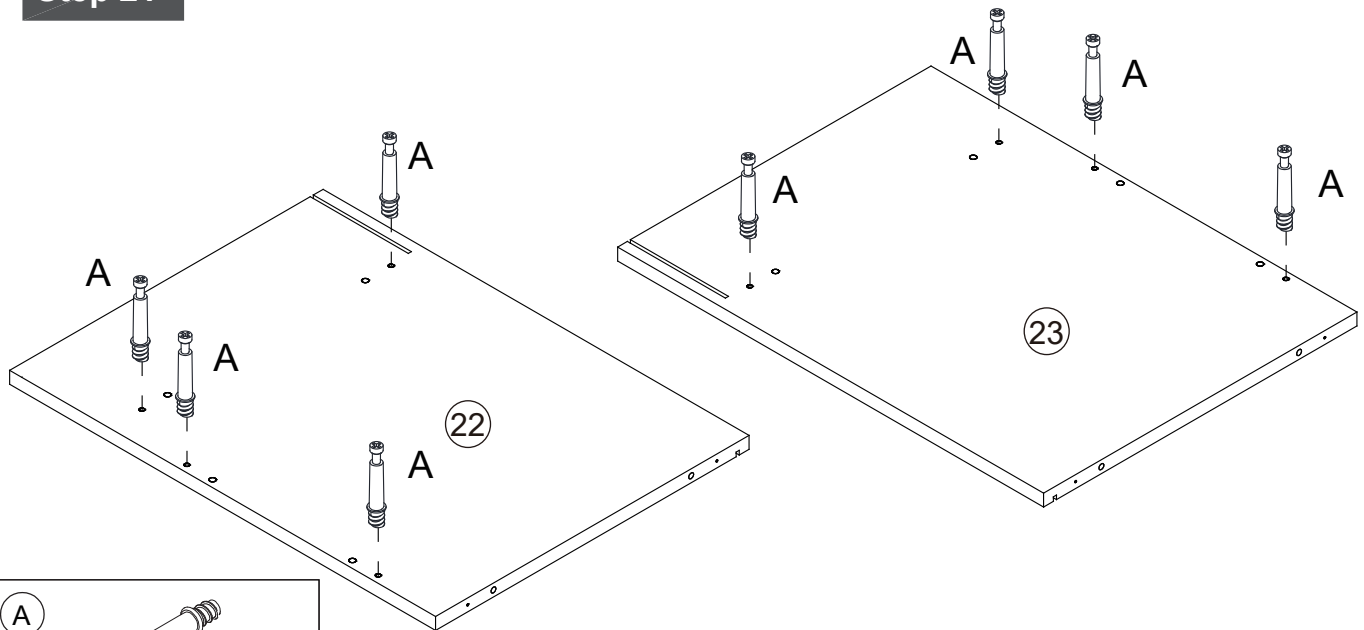


## Step 20

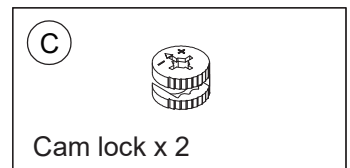
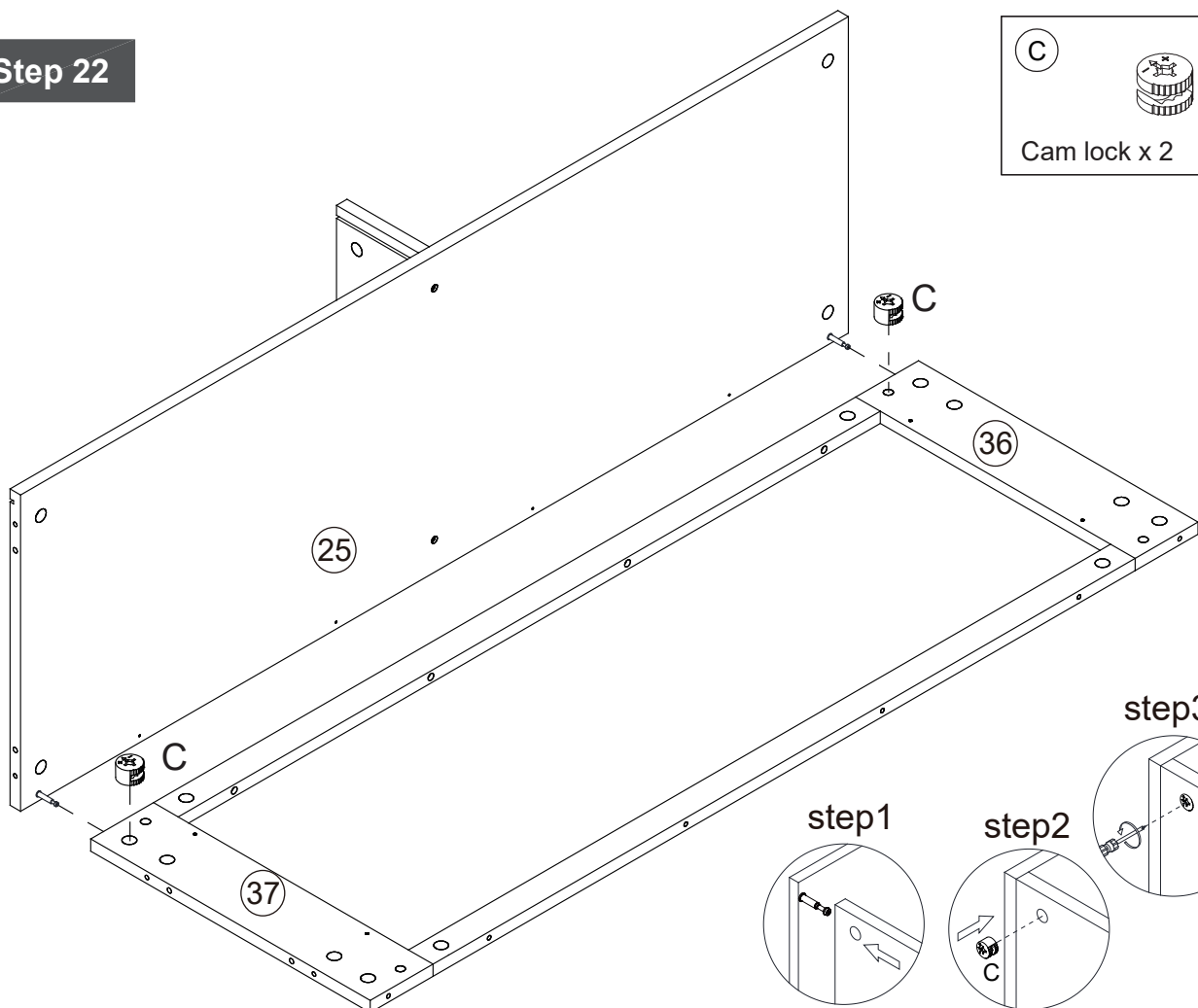


# Assembly Instructions

## Step 21



## Step 22



# Assembly Instructions

## Step 23

(B)

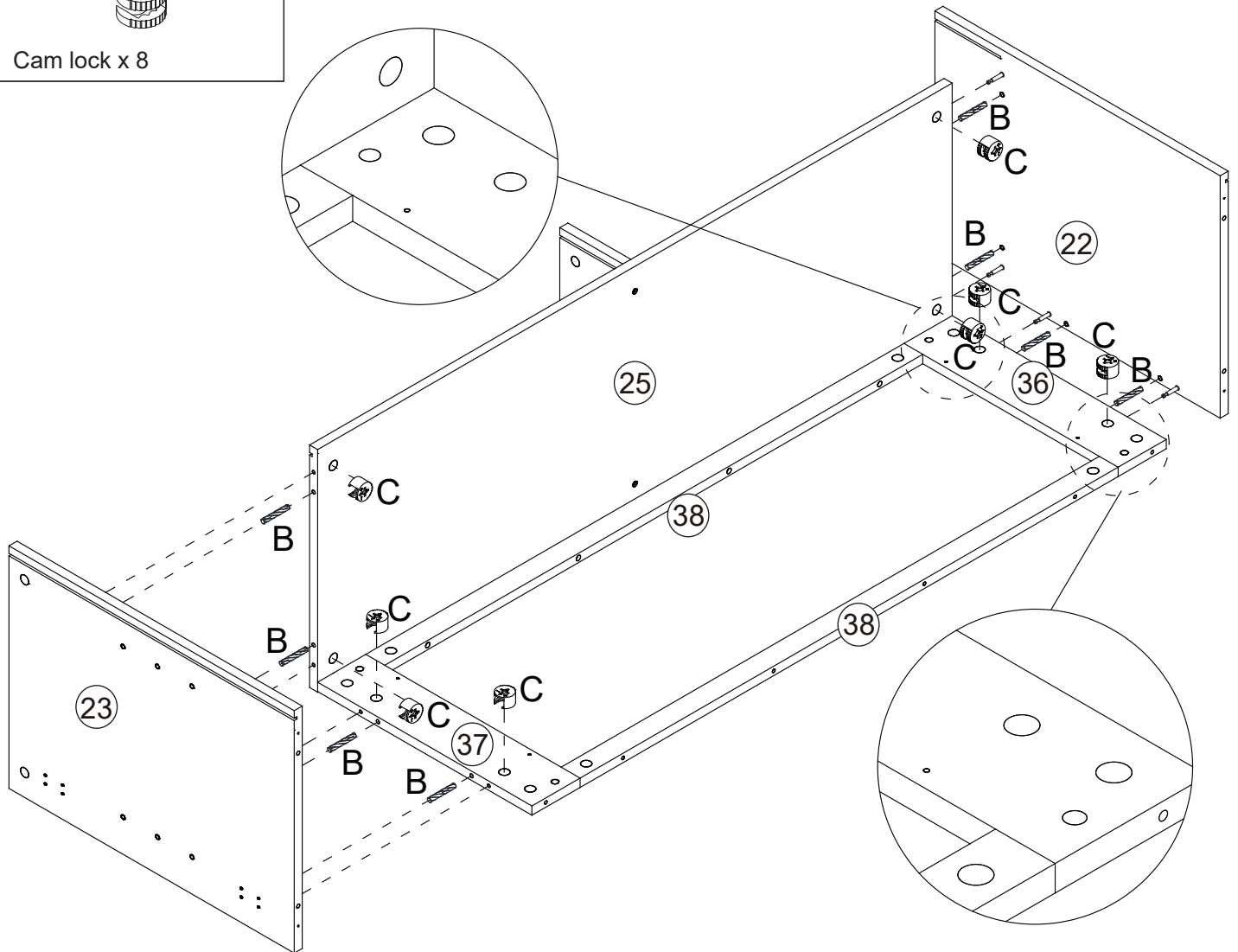


6\*30mm Dowel x 8

(C)

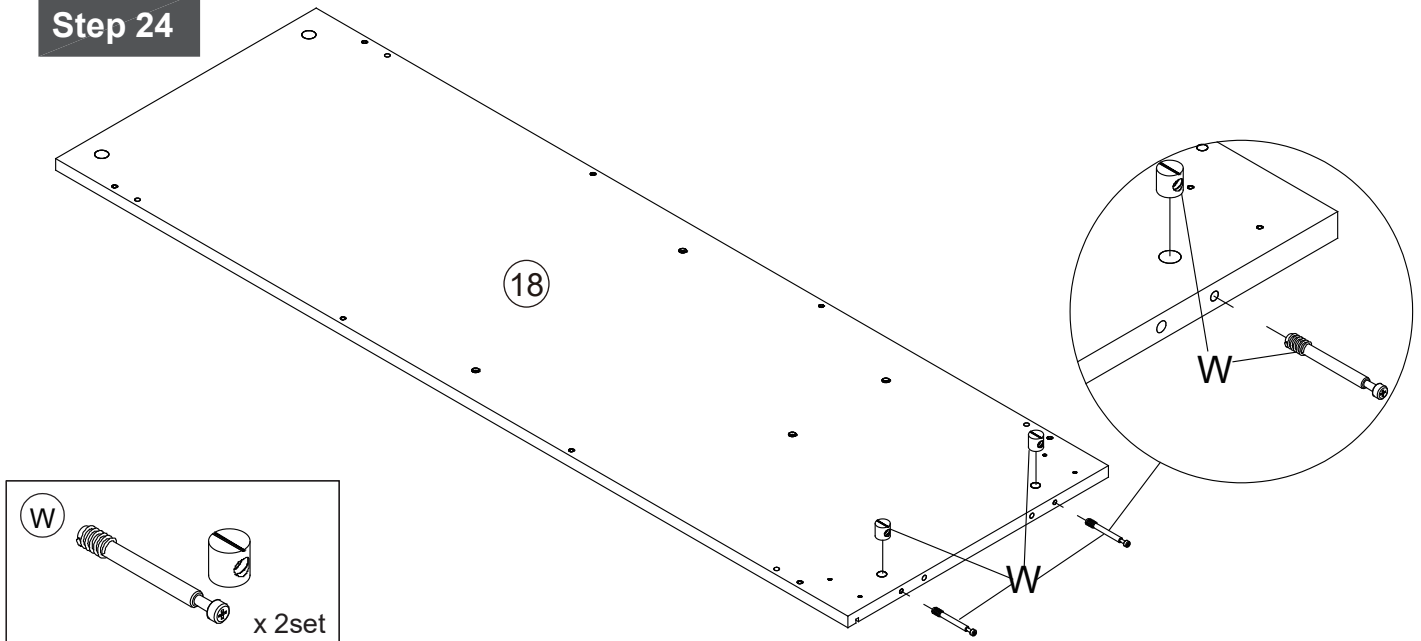


Cam lock x 8

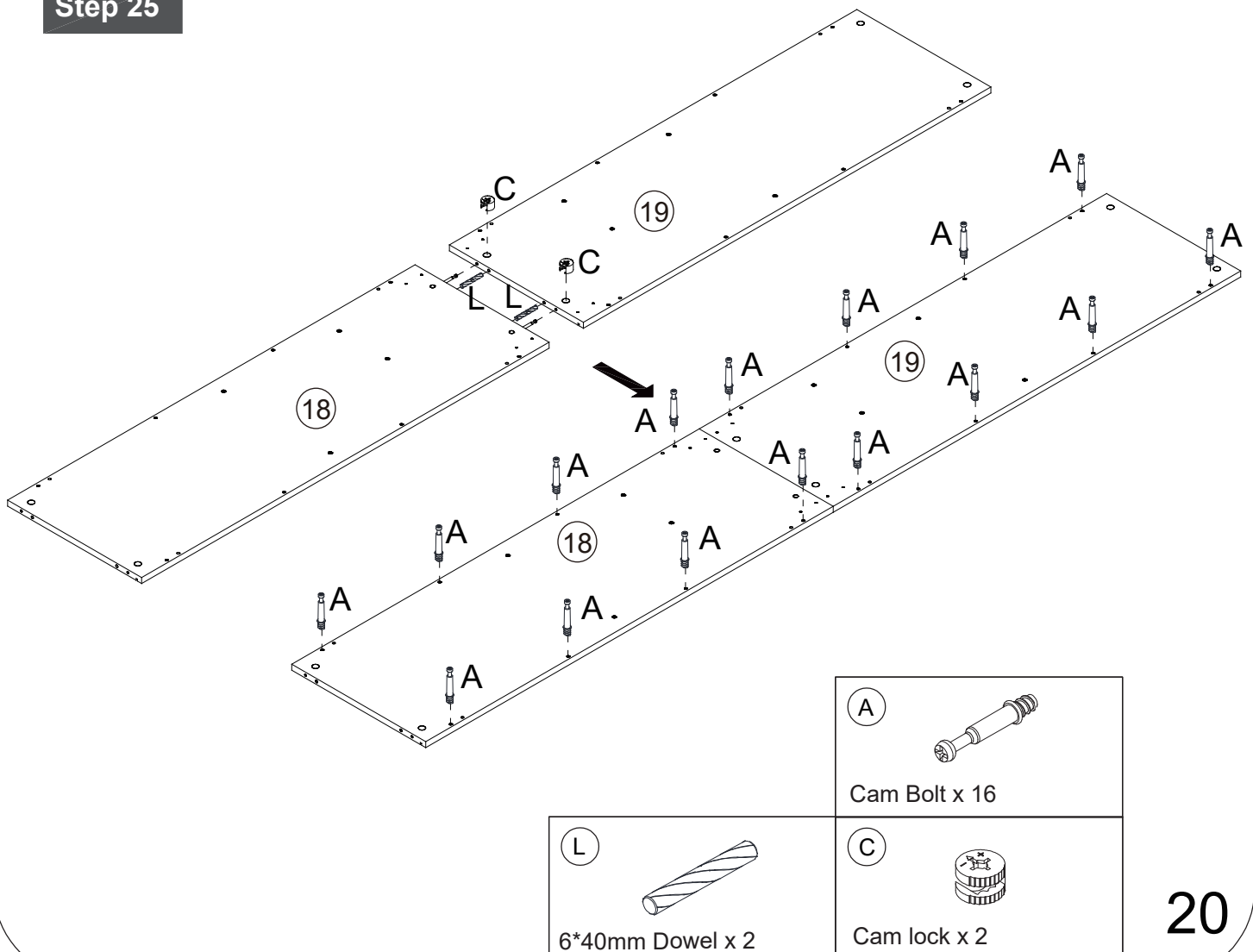


# Assembly Instructions

## Step 24

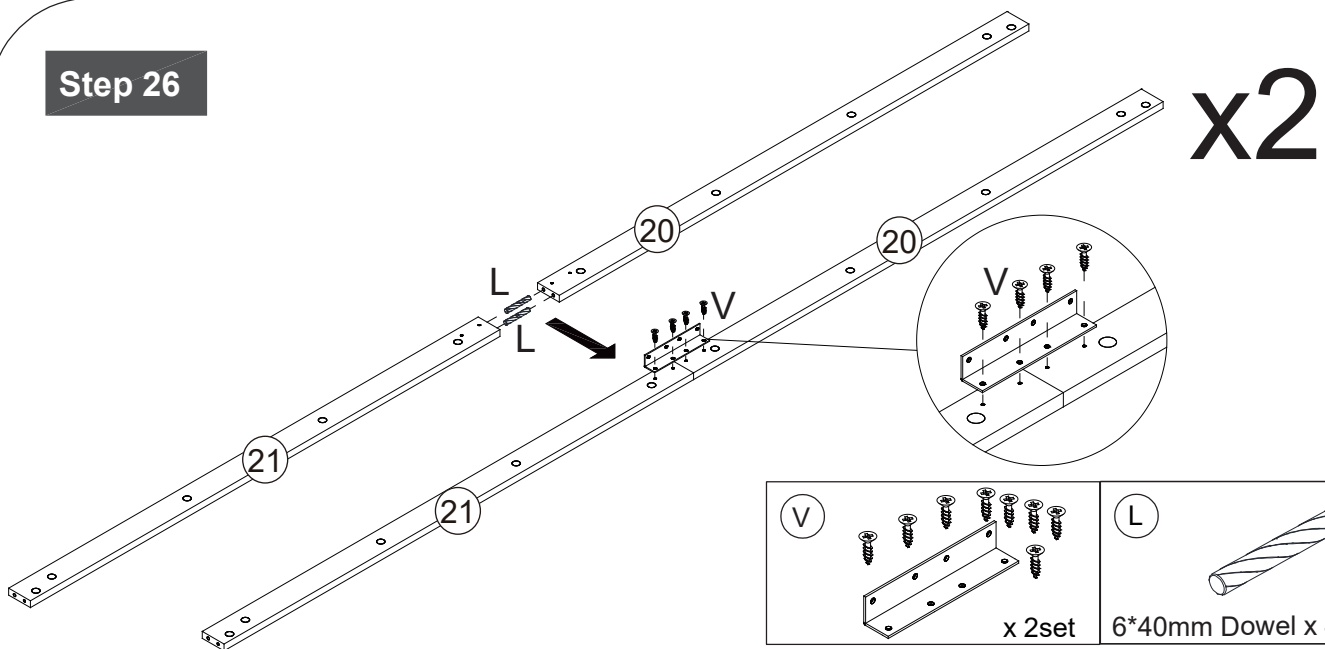


## Step 25

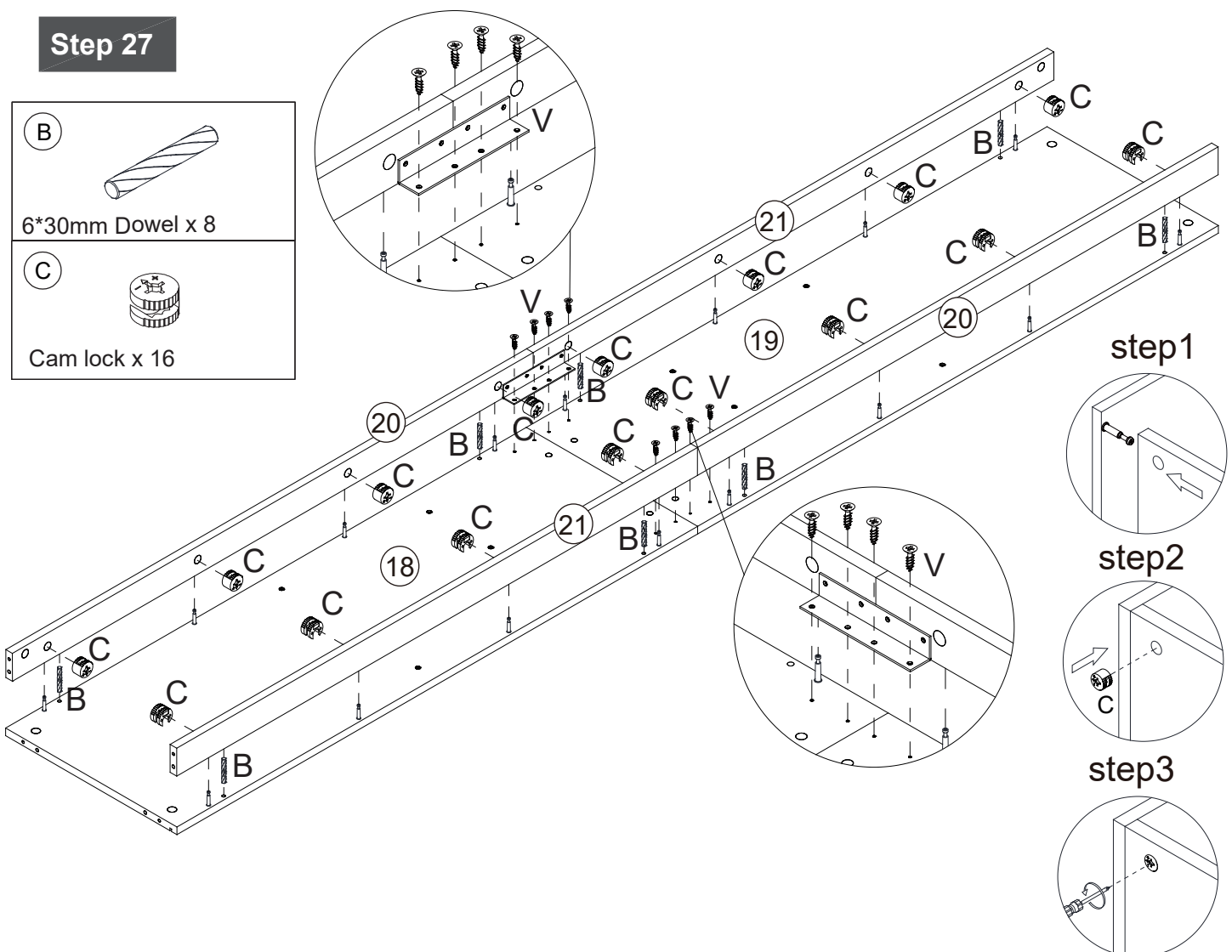


# Assembly Instructions

## Step 26

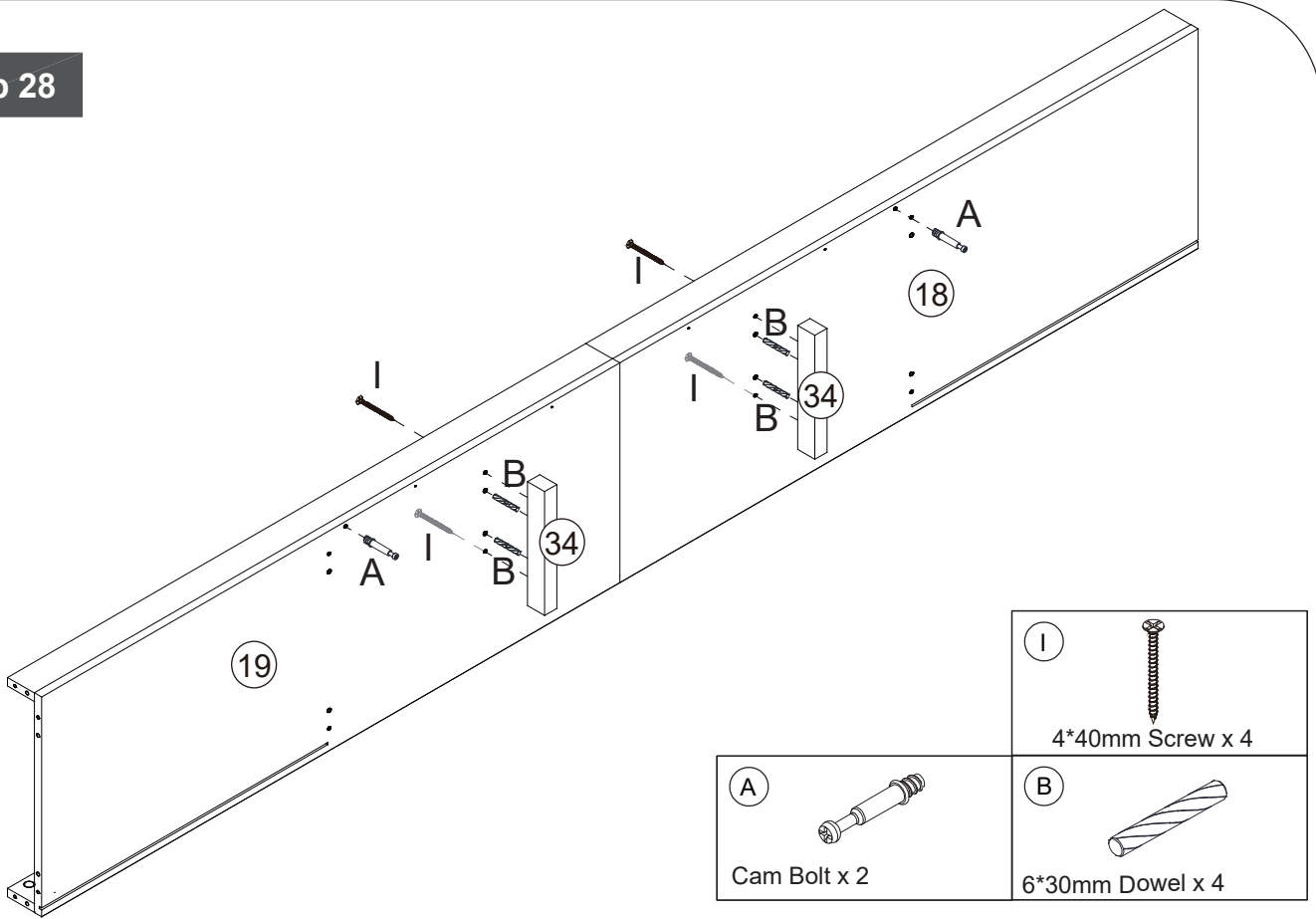


## Step 27

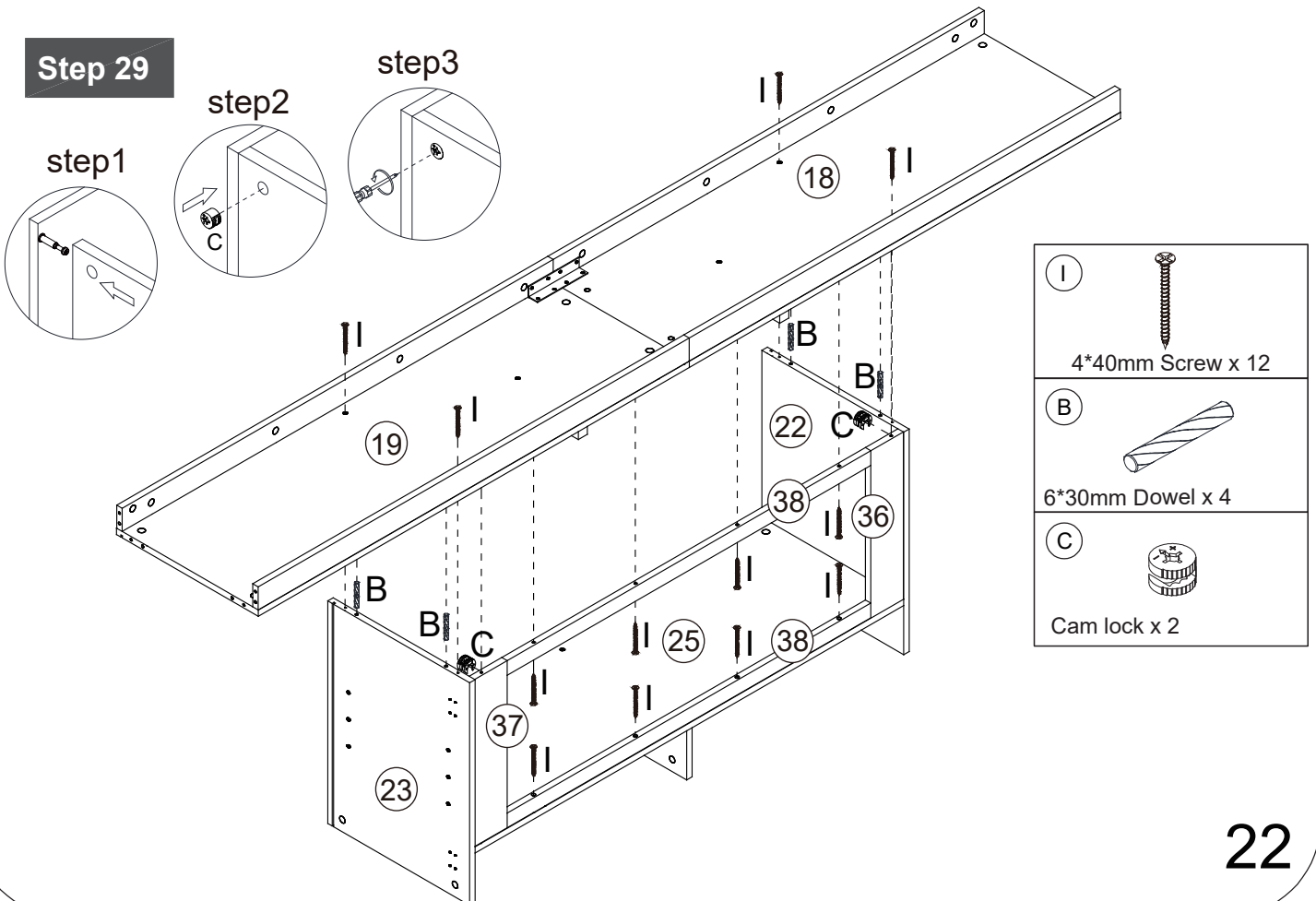


# Assembly Instructions

## Step 28

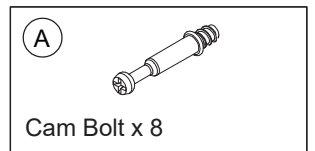
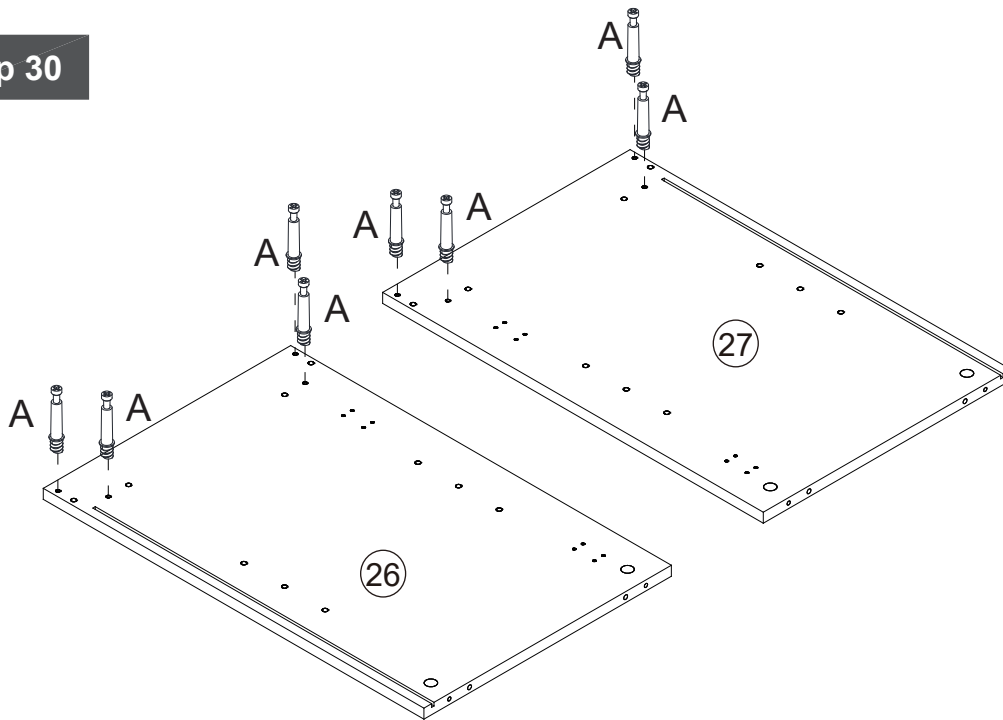


## Step 29

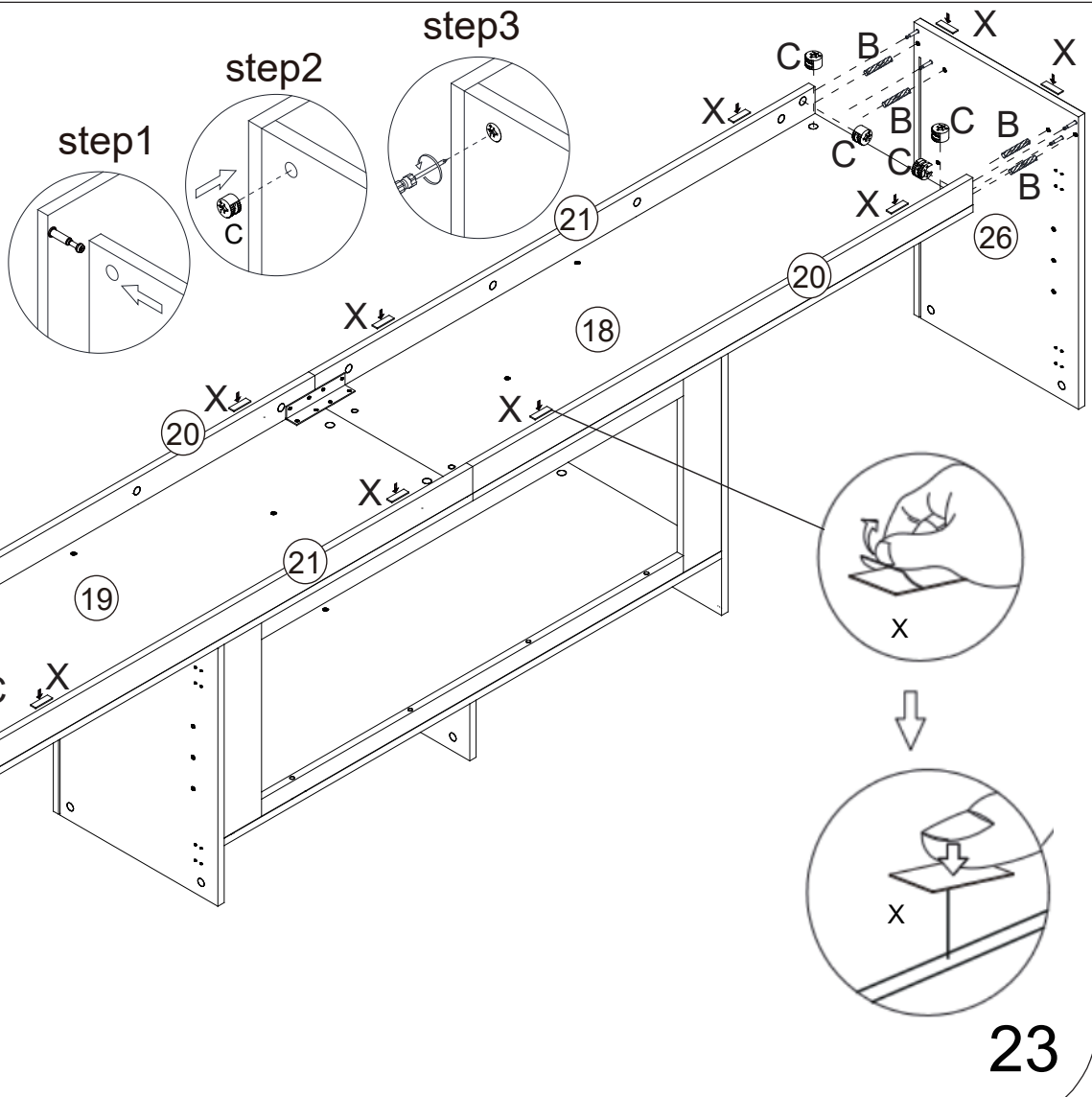
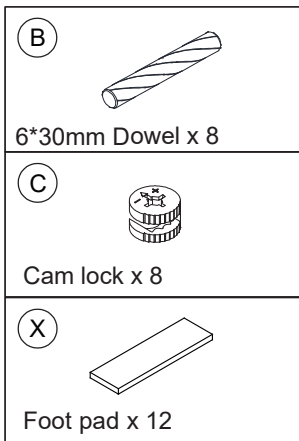


# Assembly Instructions

## Step 30

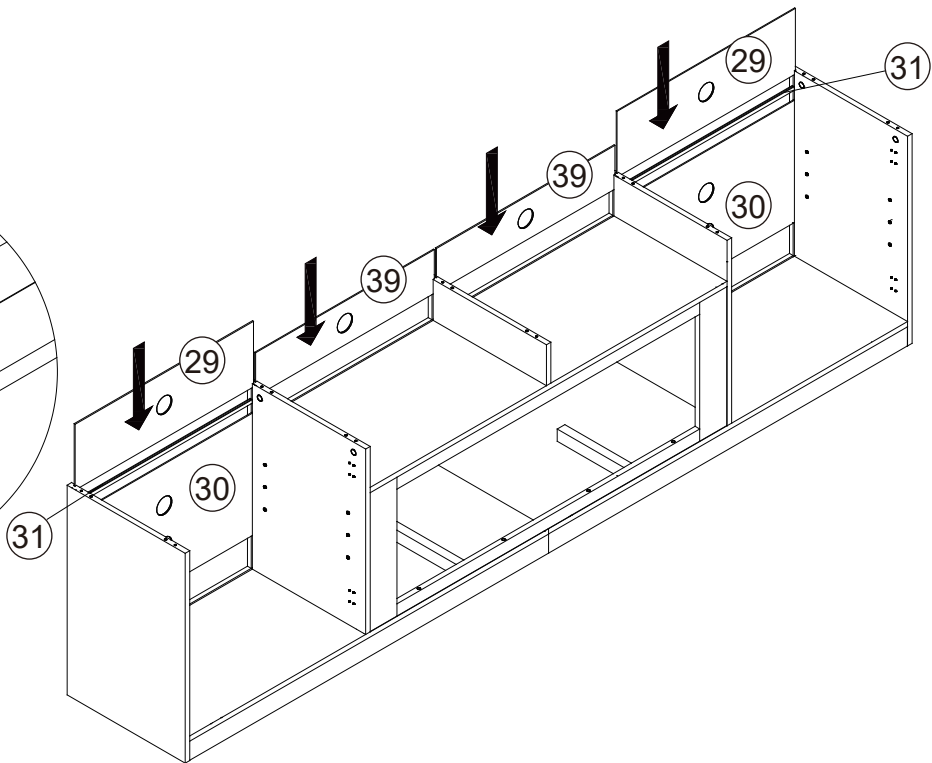
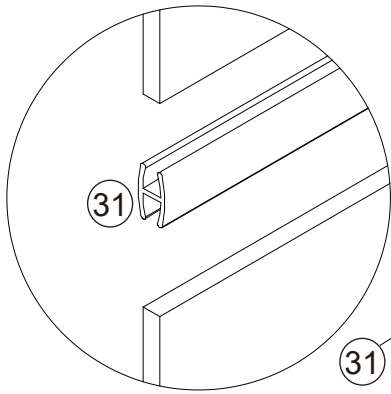


## Step 31

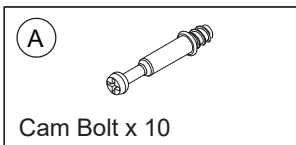
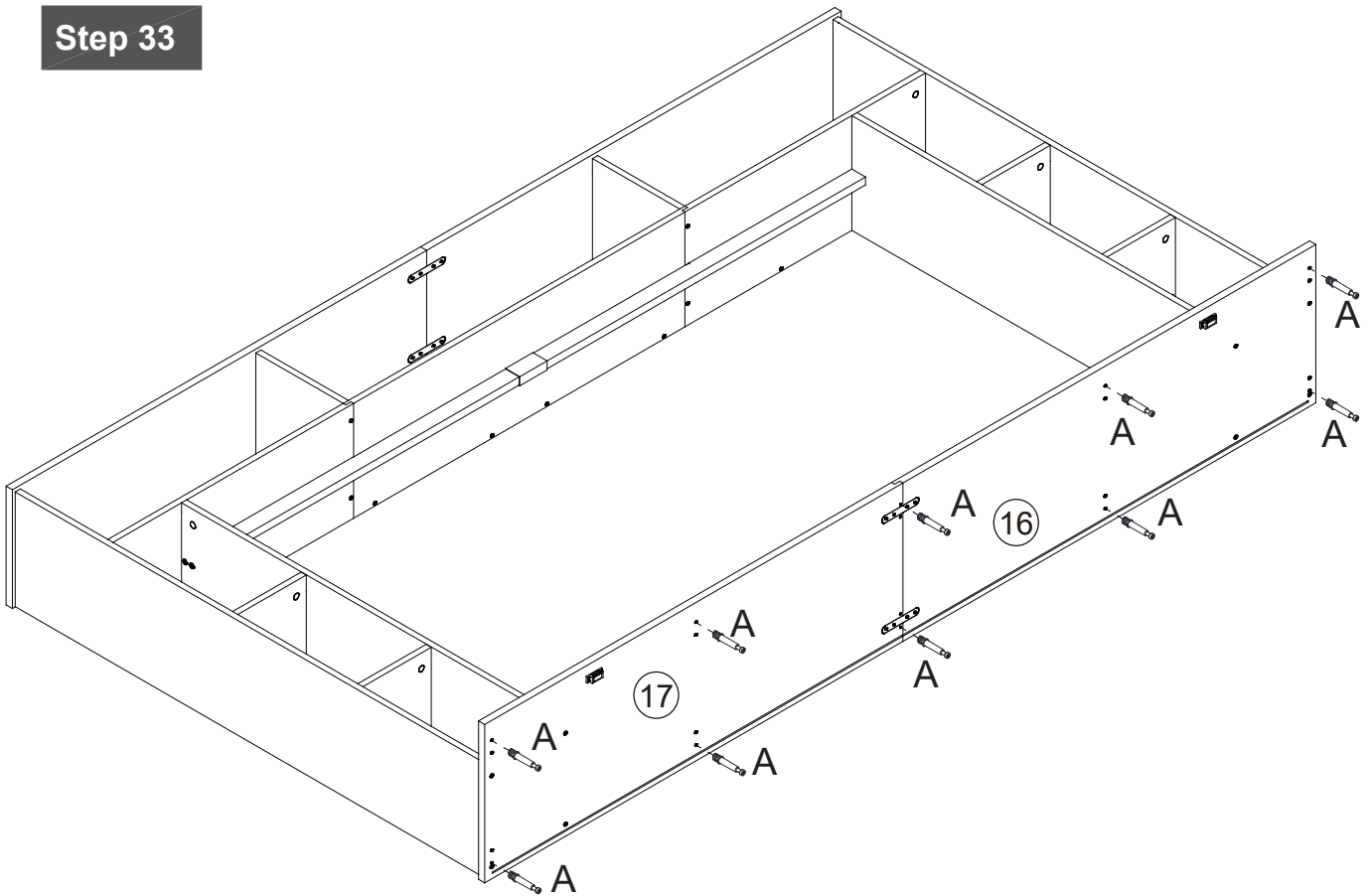


# Assembly Instructions

## Step 32

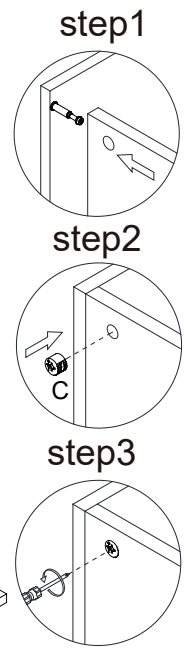
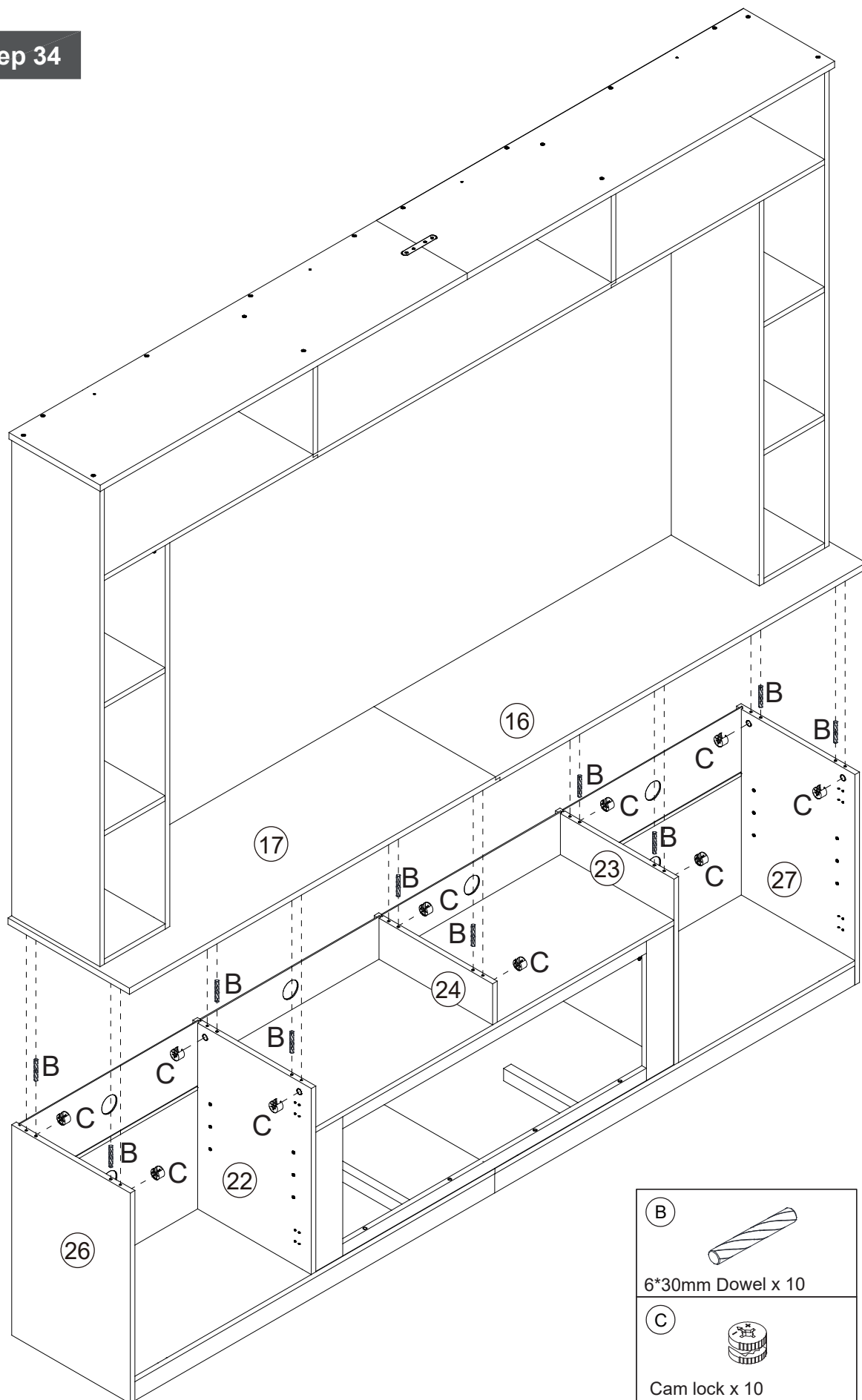




## Step 33



# Assembly Instructions

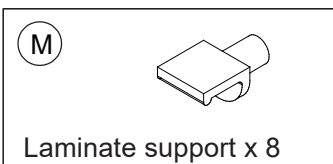
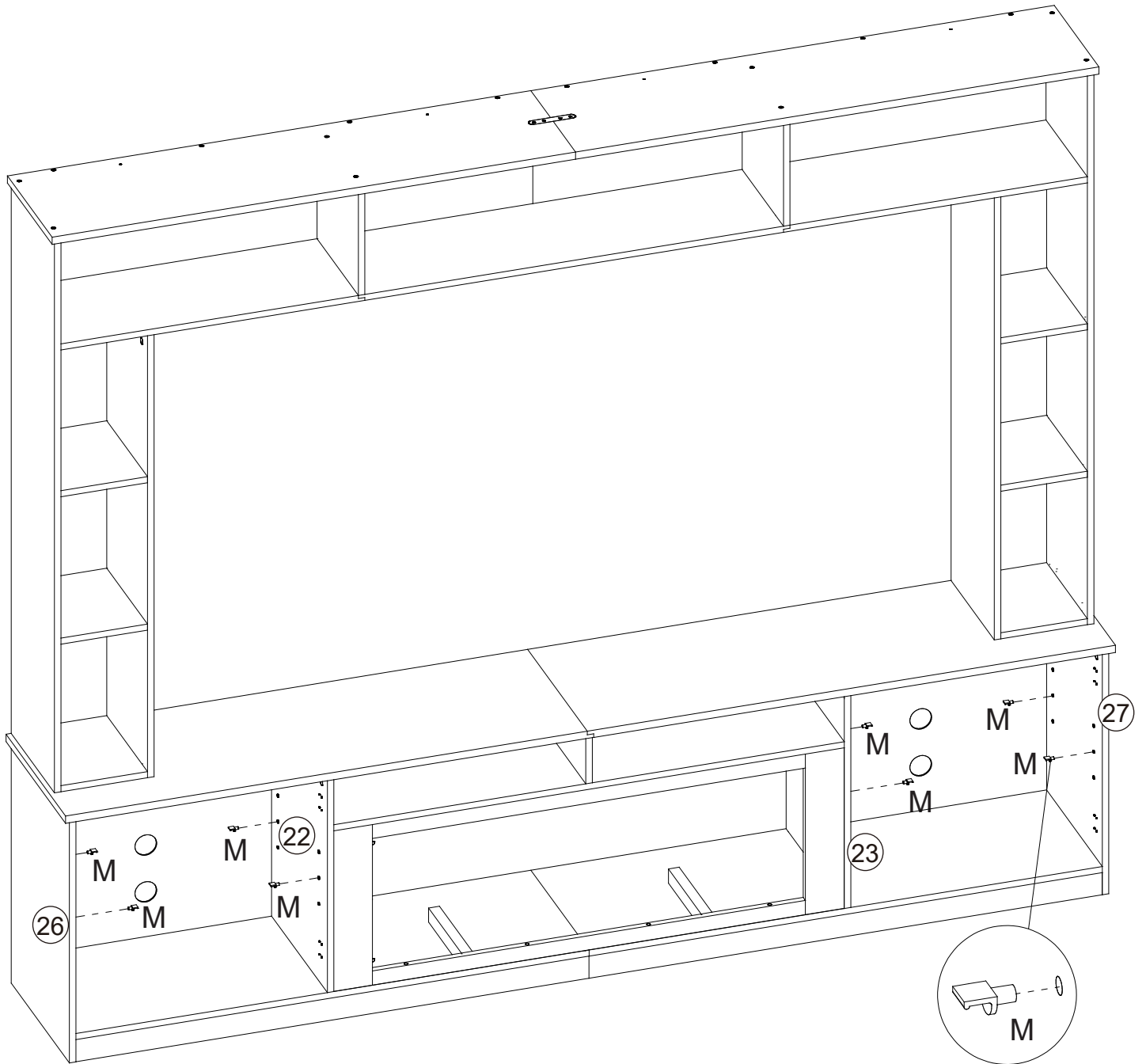
## Step 34



(B)	
6*30mm Dowel x 10	
(C)	
Cam lock x 10	

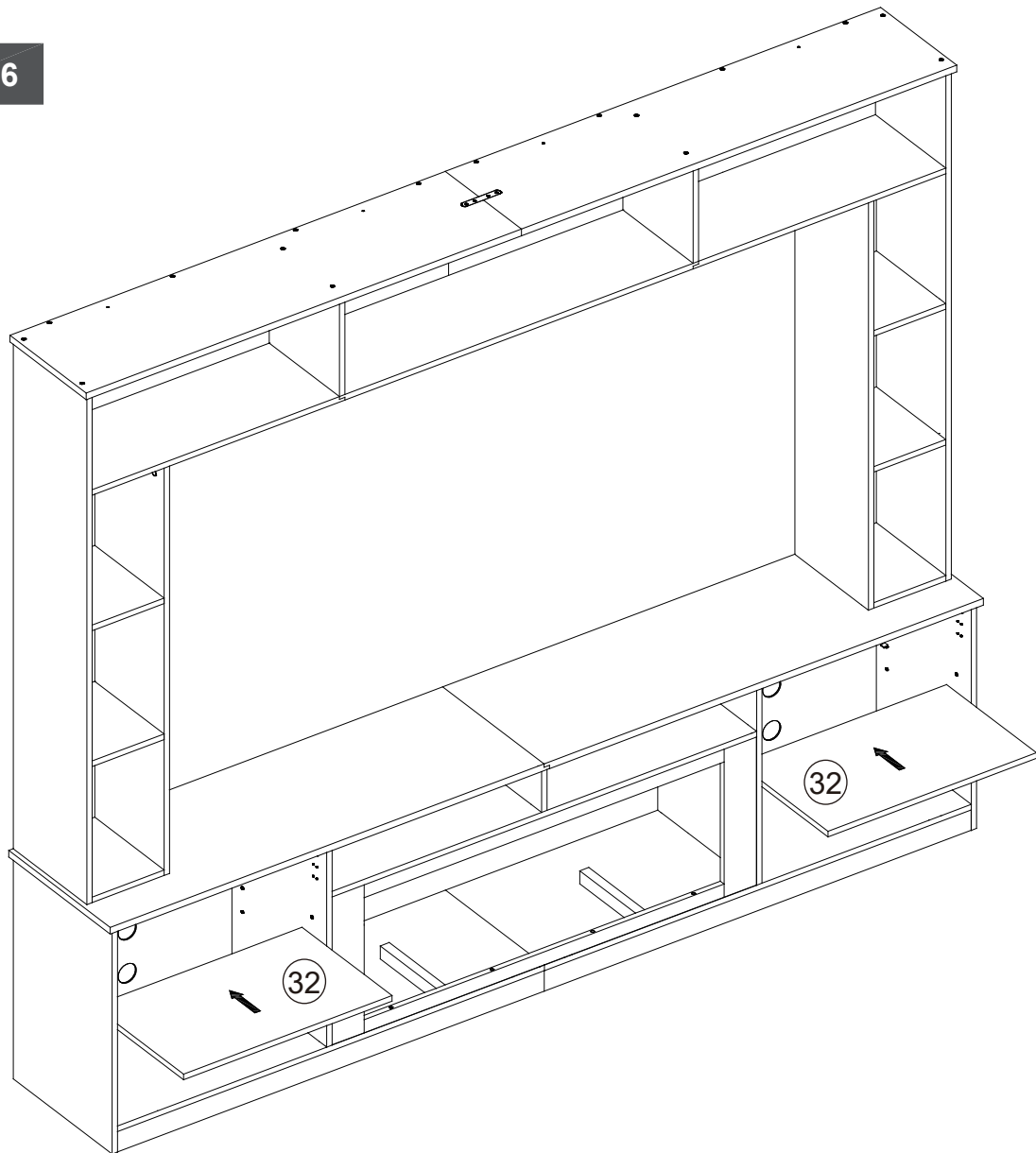
# Assembly Instructions

## Step 35

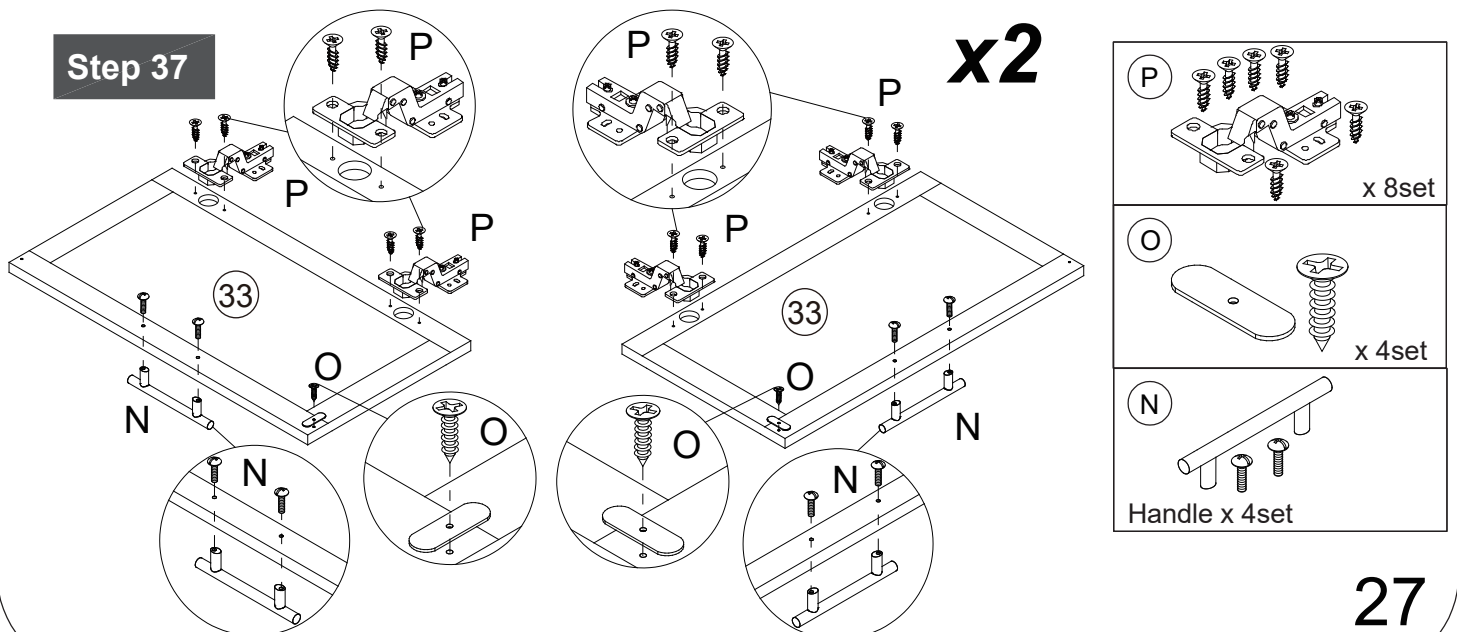


# Assembly Instructions

## Step 36

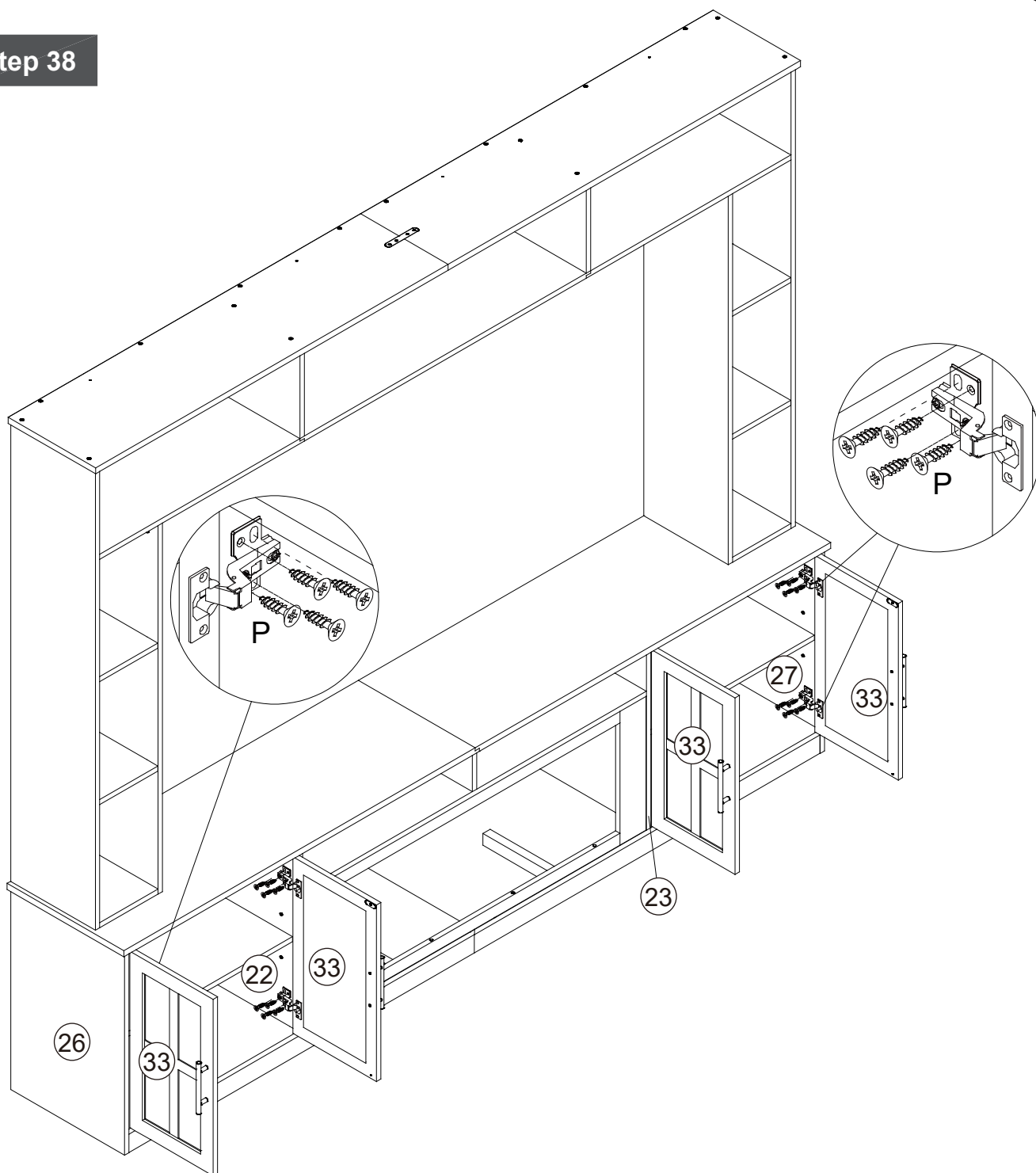


## Step 37

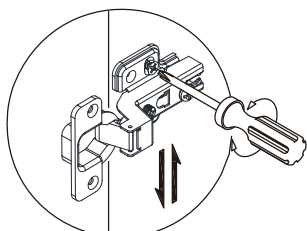


# Assembly Instructions

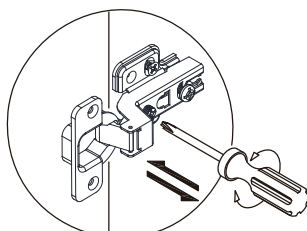
## Step 38



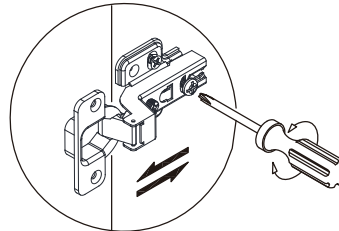
If the door can't close, please adjust the hinges as below.



This is used to adjust the door panel in the up and down direction.



This is used to adjust the door panel in the left and right direction.

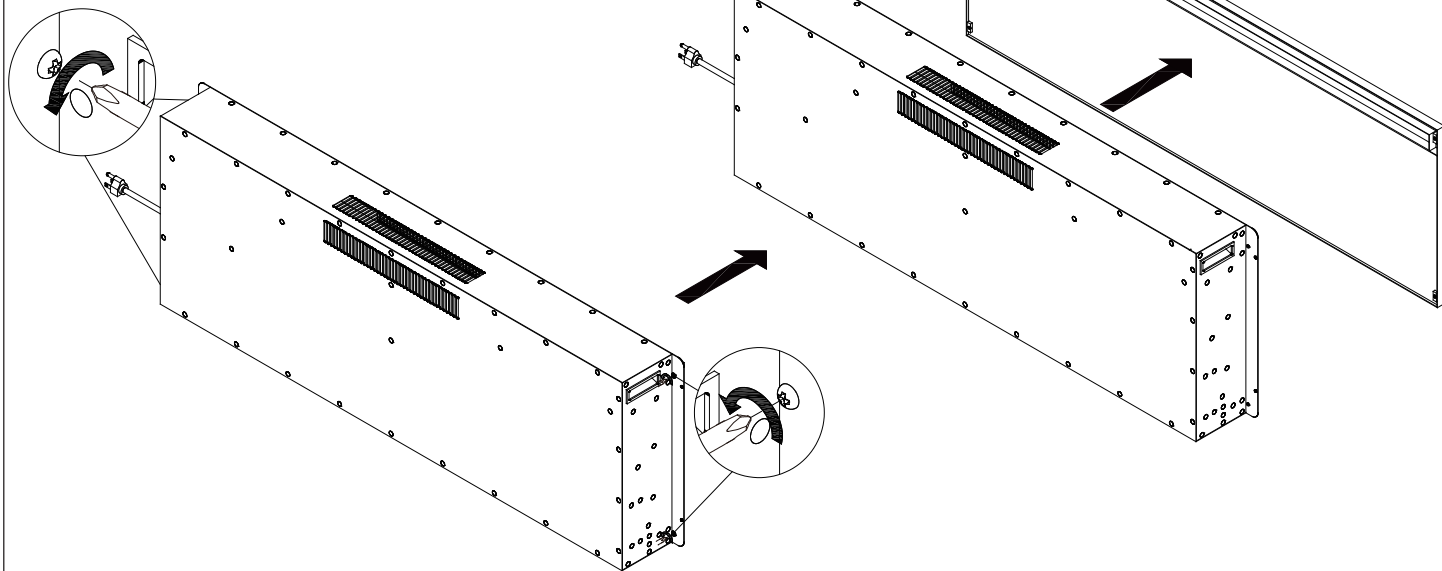


This is used to adjust the door panel in the front and rear.

# Assembly Instructions

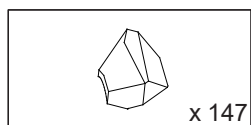
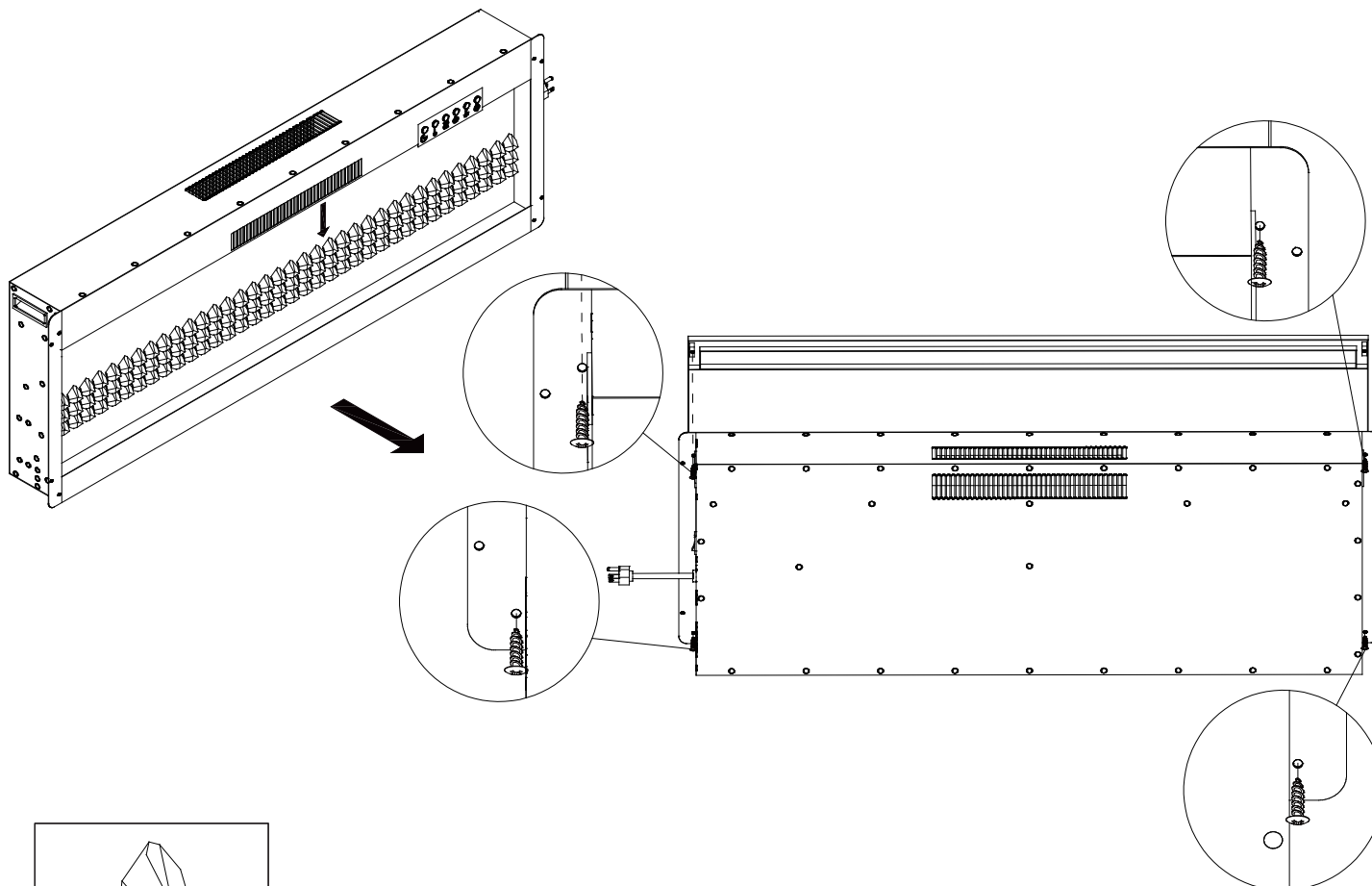
## Step 39

Please follow the instructions to remove the screws that lock the cover plate of the fireplace. Put the screws aside and don't lose them. Then open the cover plate.



## Step 40

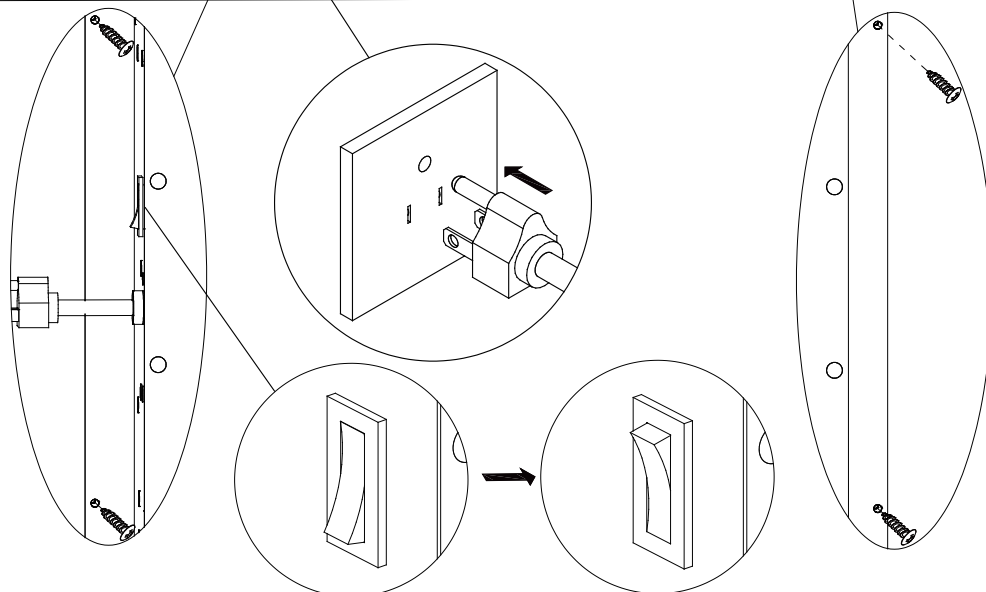
Unpack the crystals contained in the bag that came in the same box as the fireplace, pour them into the groove of the fireplace, then reattach the cover plate. Put back the removed screws and tighten them one by one.



# Assembly Instructions

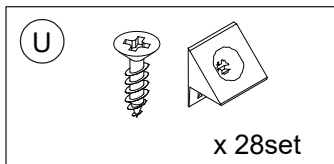
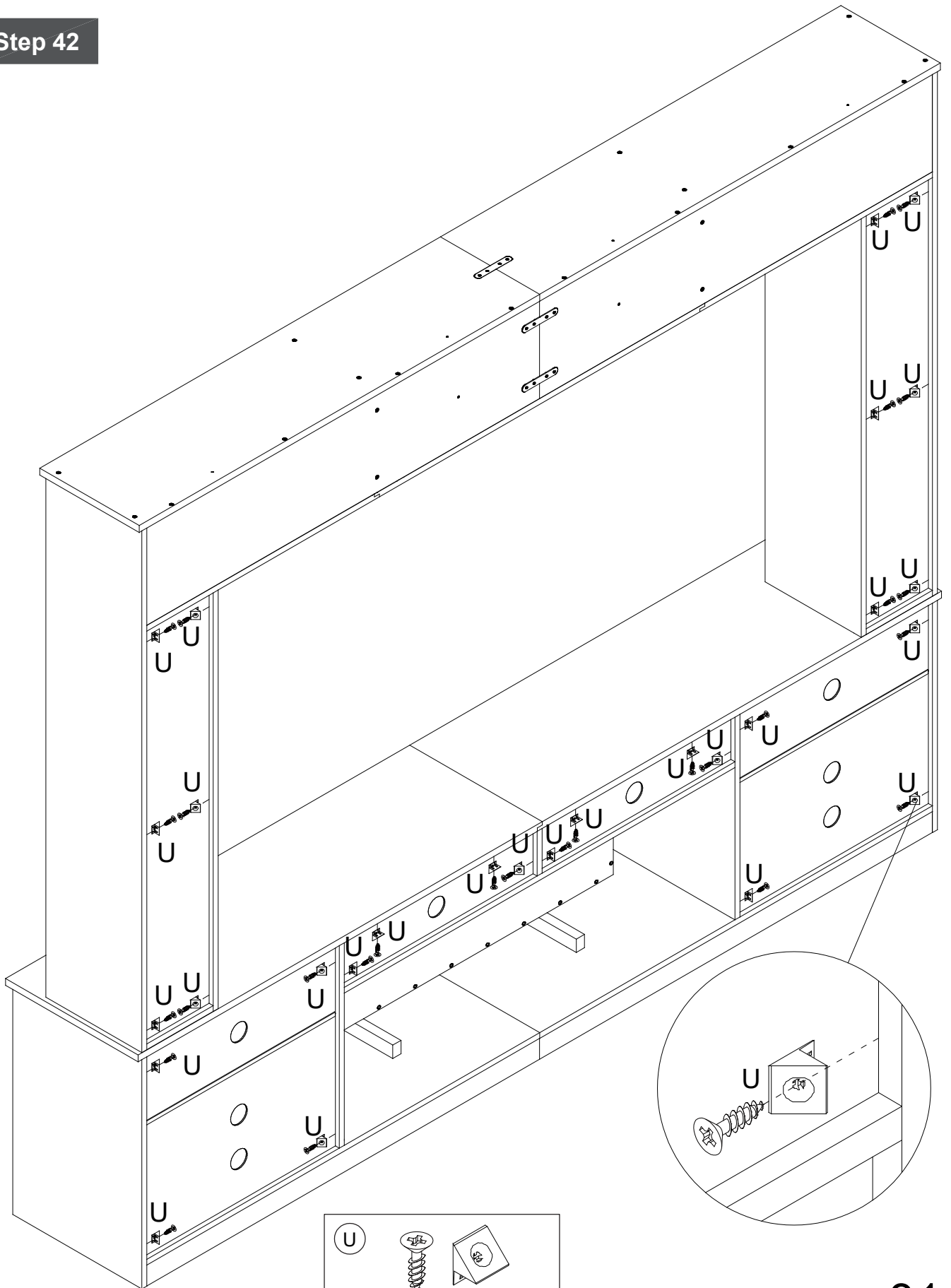
## Step 41

Put the fireplace into the cabinet as shown in the diagram, align it with the holes on the cabinet and tighten the accompanying screws of the fireplace one by one. Then plug in the power cord and turn on the switch next to the fireplace's power cord.



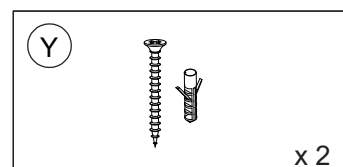
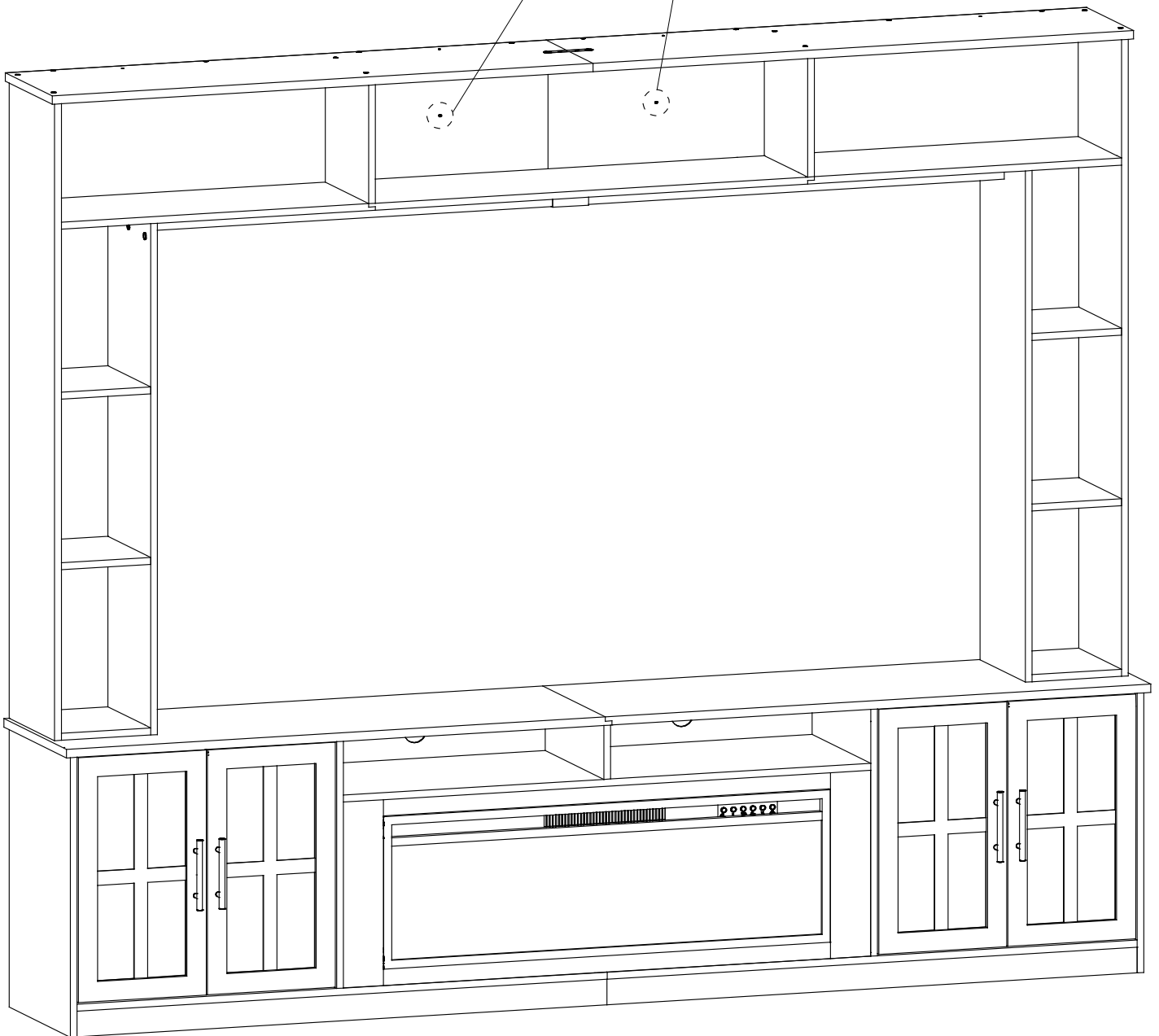
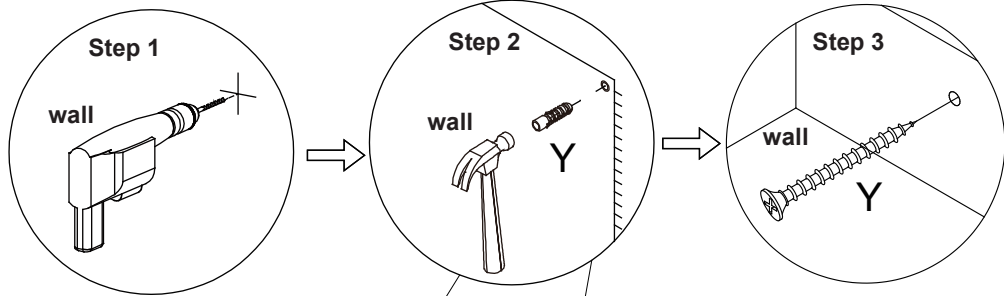
# Assembly Instructions

Step 42



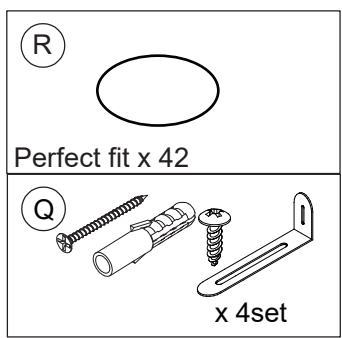
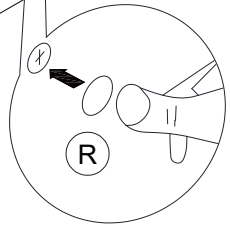
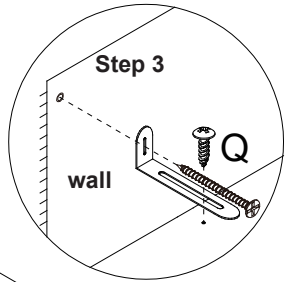
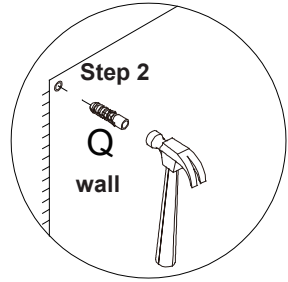
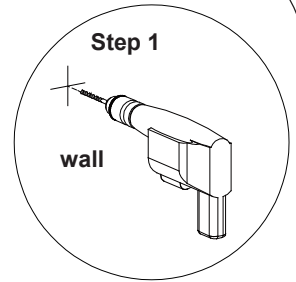
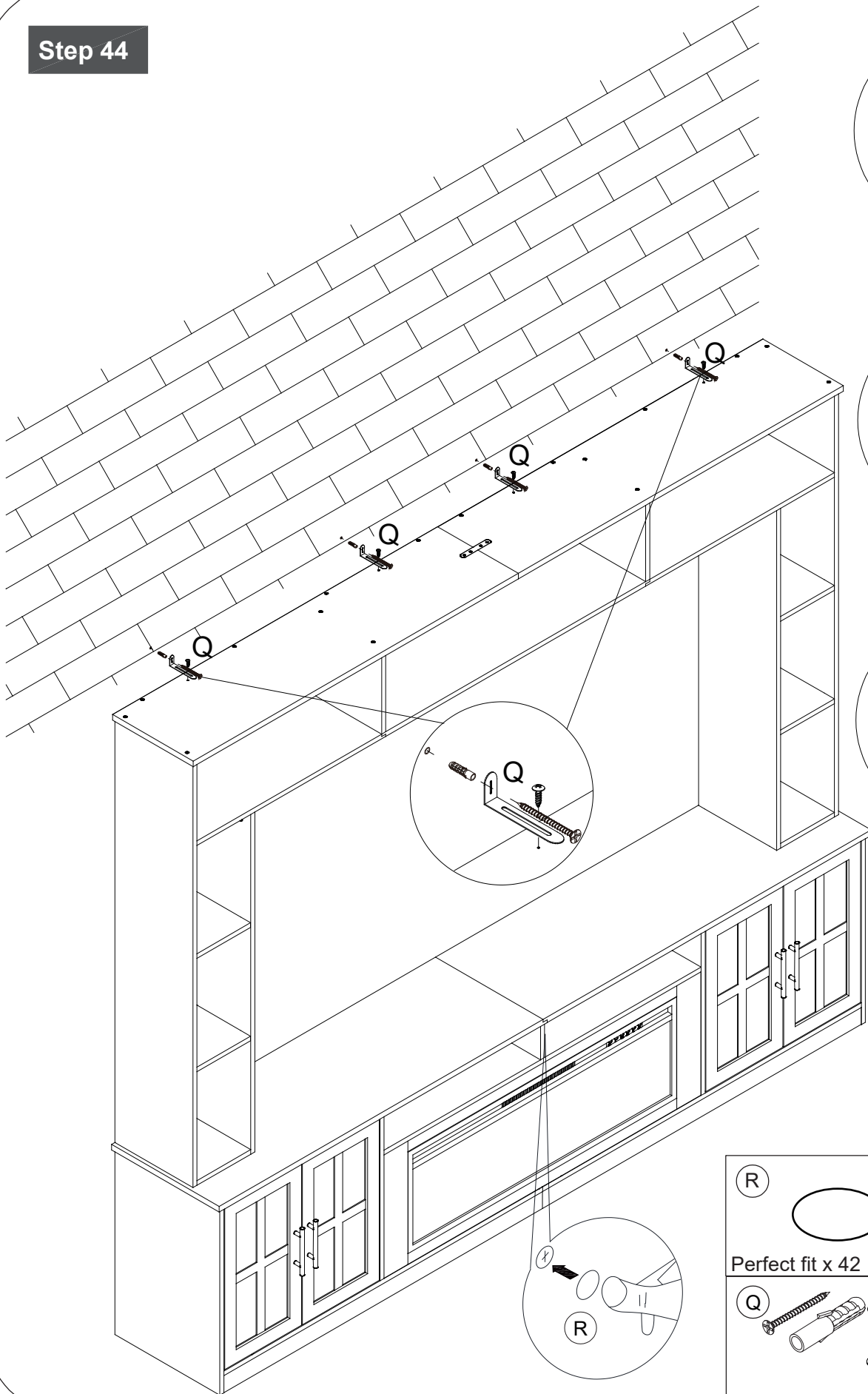
# Assembly Instructions

## Step 43



# Assembly Instructions

## Step 44



# Assembly Instructions

## Step 45

