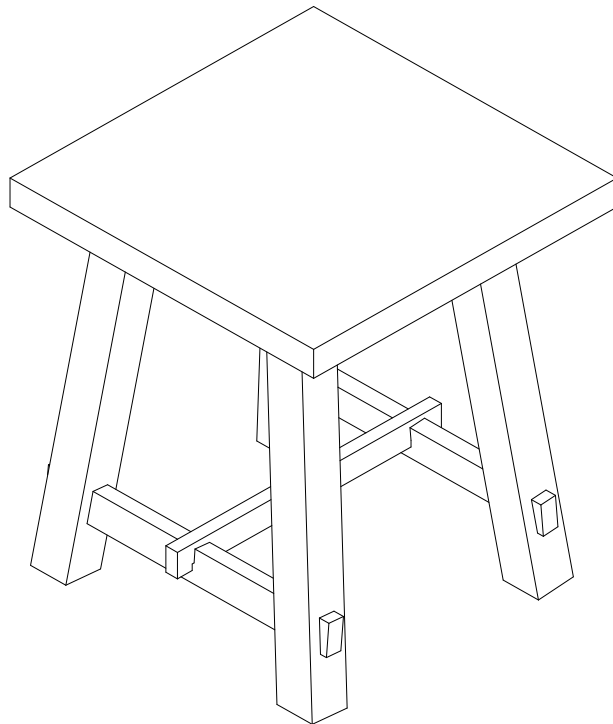


# ASSEMBLY INSTRUCTIONS

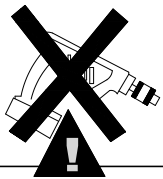
## SIDE TABLE



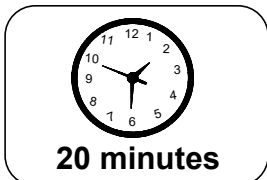
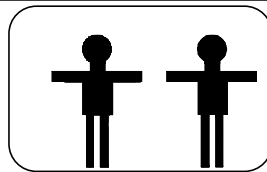
### REPLACEMENT PARTS

Please do not contact the company purchased from as we can help you faster.

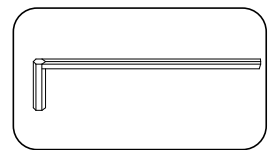
Order replacement parts and hardware at "[boltonfurniture.com](http://boltonfurniture.com)"



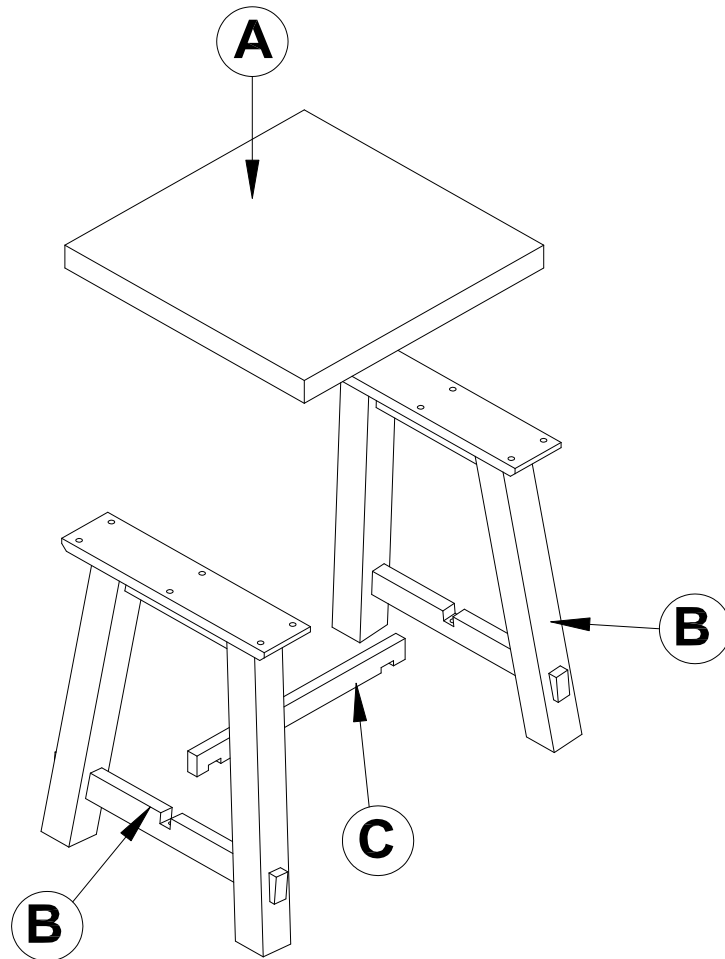
- . Use of power tool to assemble this product will invalidate any claim and damage this product making it unsafe!!!
- . Please assemble on a clean soft surface to avoid damage.



### Tool Included

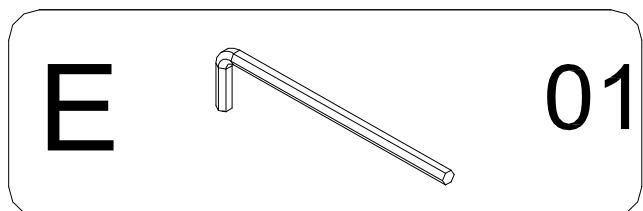
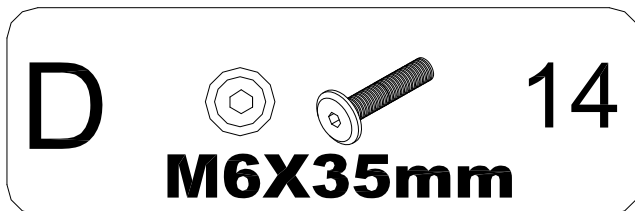


## Part List-Side Table




**Identifying the hardware**-Identify the hardware using the illustrations below.

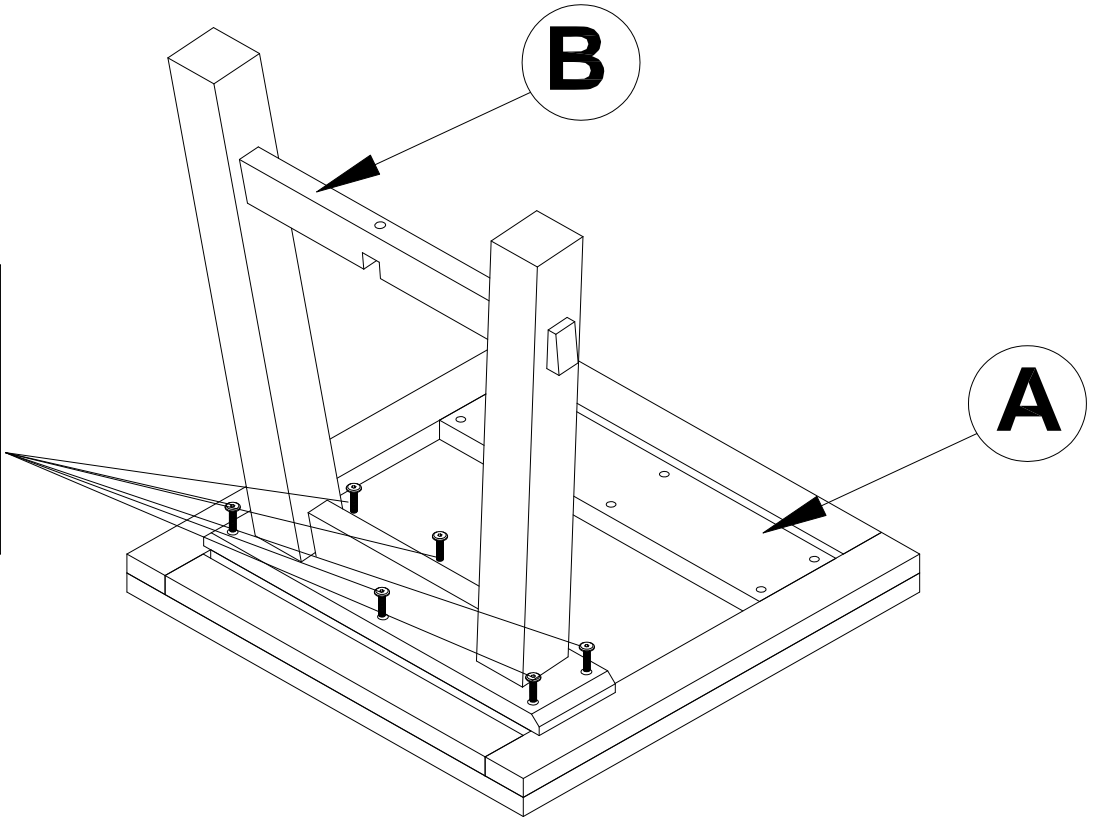
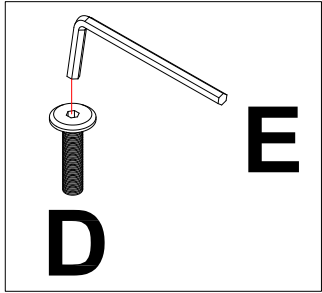
---



# STEP 1

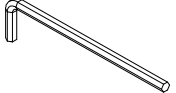
**D**   06  
**M6X35mm**

**E**  01

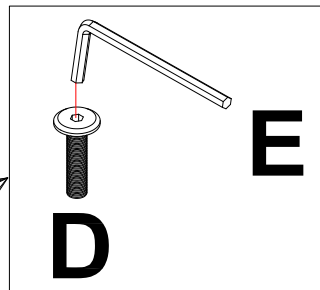
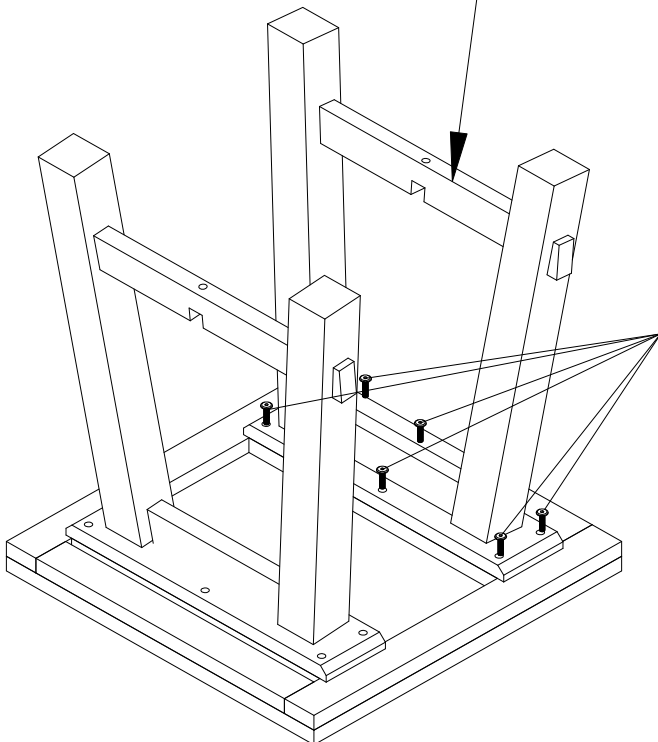


# STEP 2

**D**   06  
**M6X35mm**

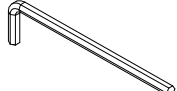
**E**  01

**B**



# STEP 3

**D**  **02**  
**M6X35mm**

**E**  **01**

