



Toccata™
Top-mount Kitchen Sink
K-3346-4

Features

- 36-inch minimum base cabinet width.
- 19-gauge stainless steel.
- Top-mount.
- Double (equal) bowl.
- Three faucet holes with one accessory hole to the right.
- With SilentShield® sound-absorption technology.
- 33" (838 mm) x 22" (559 mm)

Optional Accessories

- K-3294 Cutting Board
- K-6401 Sink Rack
- K-8801 Sink Strainer
- 1177161 Installation Clip Kit

Components

- Product includes:
- 1177160 Hardware Kit; Top-mount

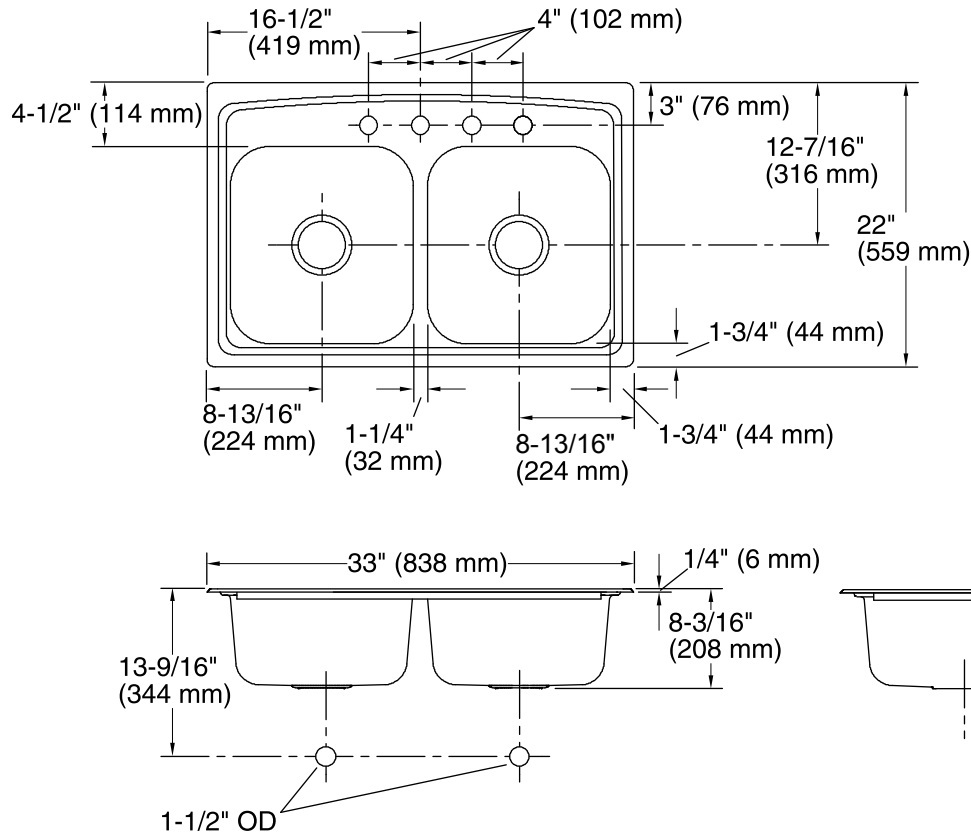


Codes/Standards

ASME A112.19.3/CSA B45.4

**Lifetime Limited Warranty for
KOHLER® Stainless Steel Sinks**

See website for detailed warranty information.



Technical Information

All product dimensions are nominal.

- Bowl configuration: Double equal
- Installation: Top-mount
- Cutout: Top-mount, 32-1/2" x 21-1/2" (826 mm x 546 mm) with 1/2" (13 mm) radius corners
- Min. base cabinet width: 36" (914 mm)
- Bowl area (Left)
 - Length: 14-3/16" (360 mm)
 - Width: 15-3/4" (400 mm)
 - Bowl depth: 8" (203 mm)
 - Water depth: 8" (203 mm)
- Bowl area (Right)
 - Length: 14-3/16" (360 mm)
 - Width: 15-3/4" (400 mm)
 - Bowl depth: 8" (203 mm)
 - Water depth: 8" (203 mm)
- Number of deck holes: 4
- Faucet hole(s): 1-7/16" (37 mm)
- Drain hole: 3-5/8" (92 mm)

Notes

Install this product according to the installation guide.