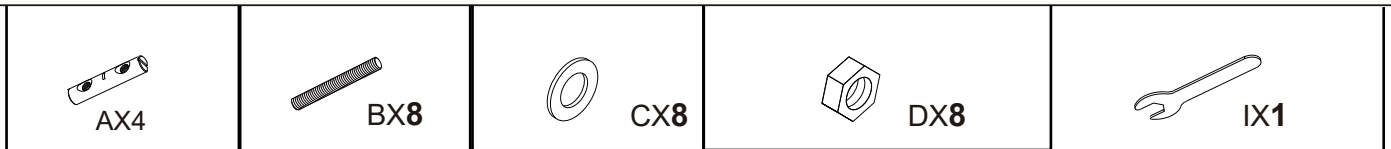
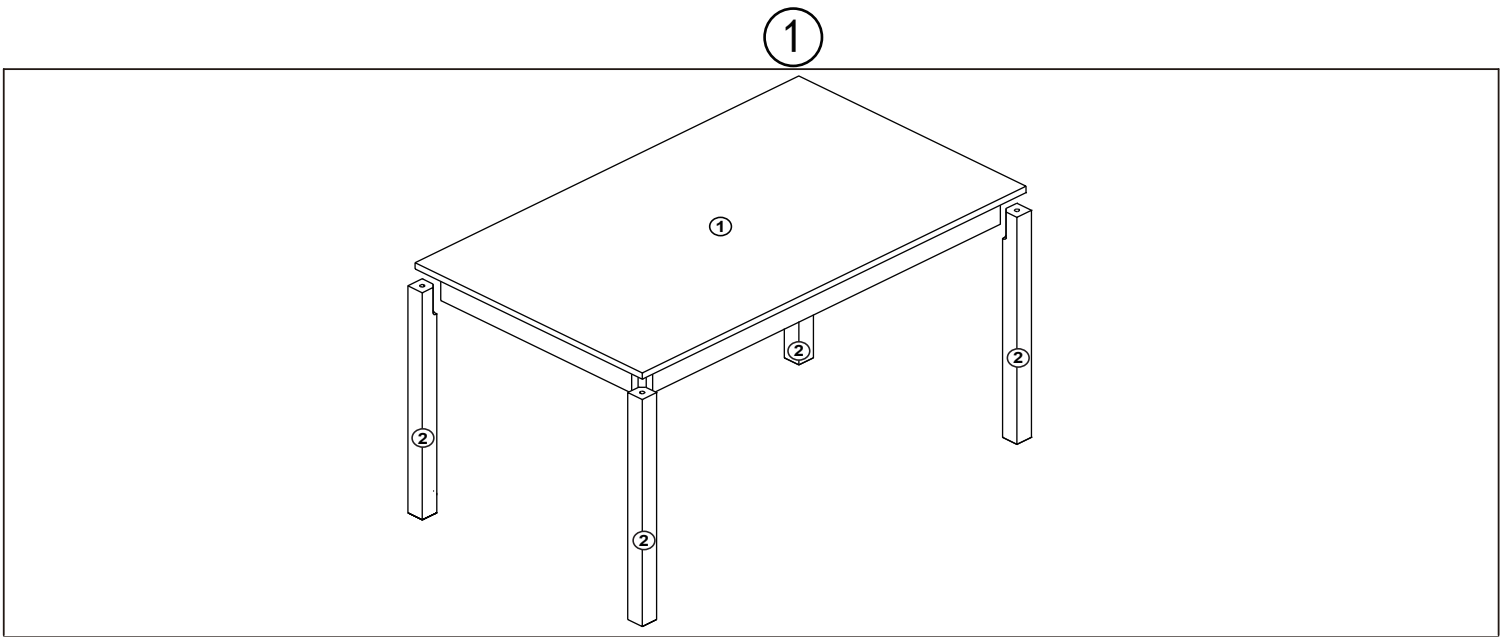
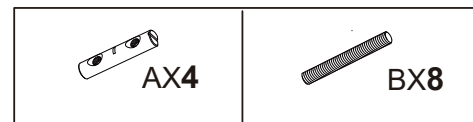


ASSEMBLY INSTRUCTIONS



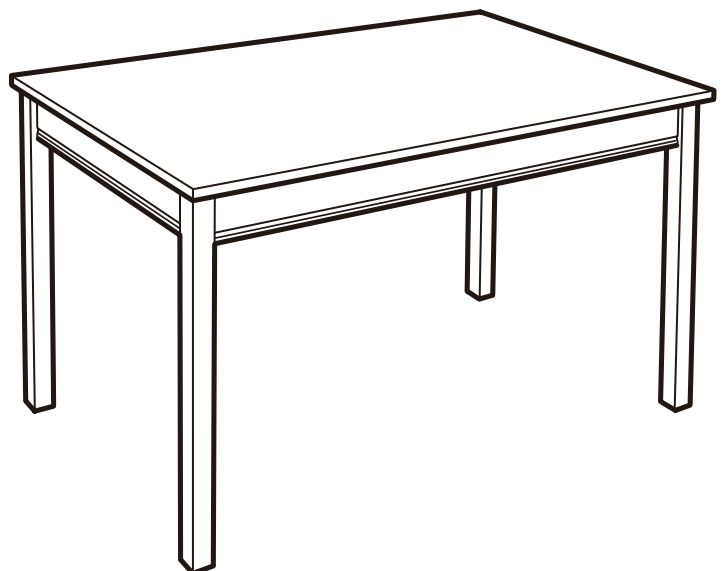
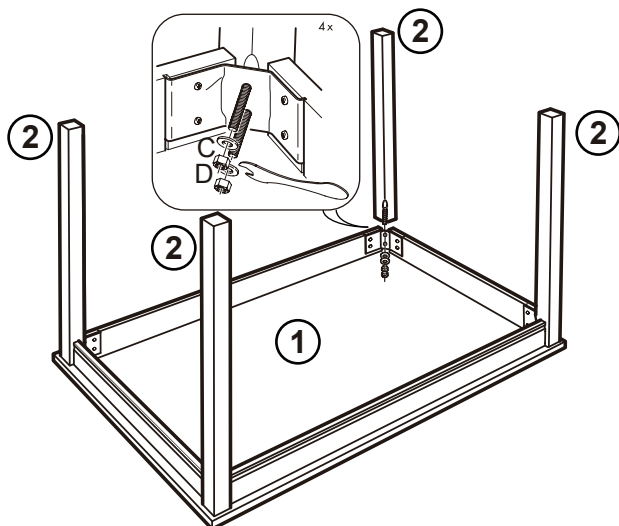
1



x4

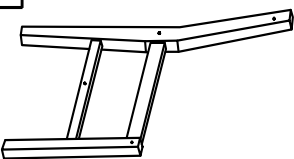
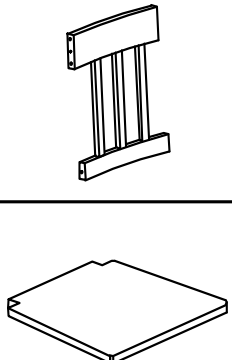
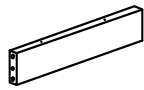
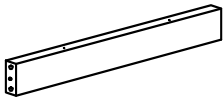

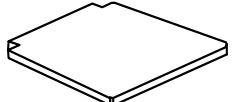
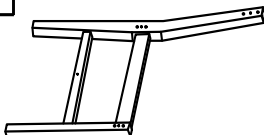


2



②

Parts List

1		2		3		4	
5		6		7			

Hardware List

AX56	BX32	CX16	DX1
