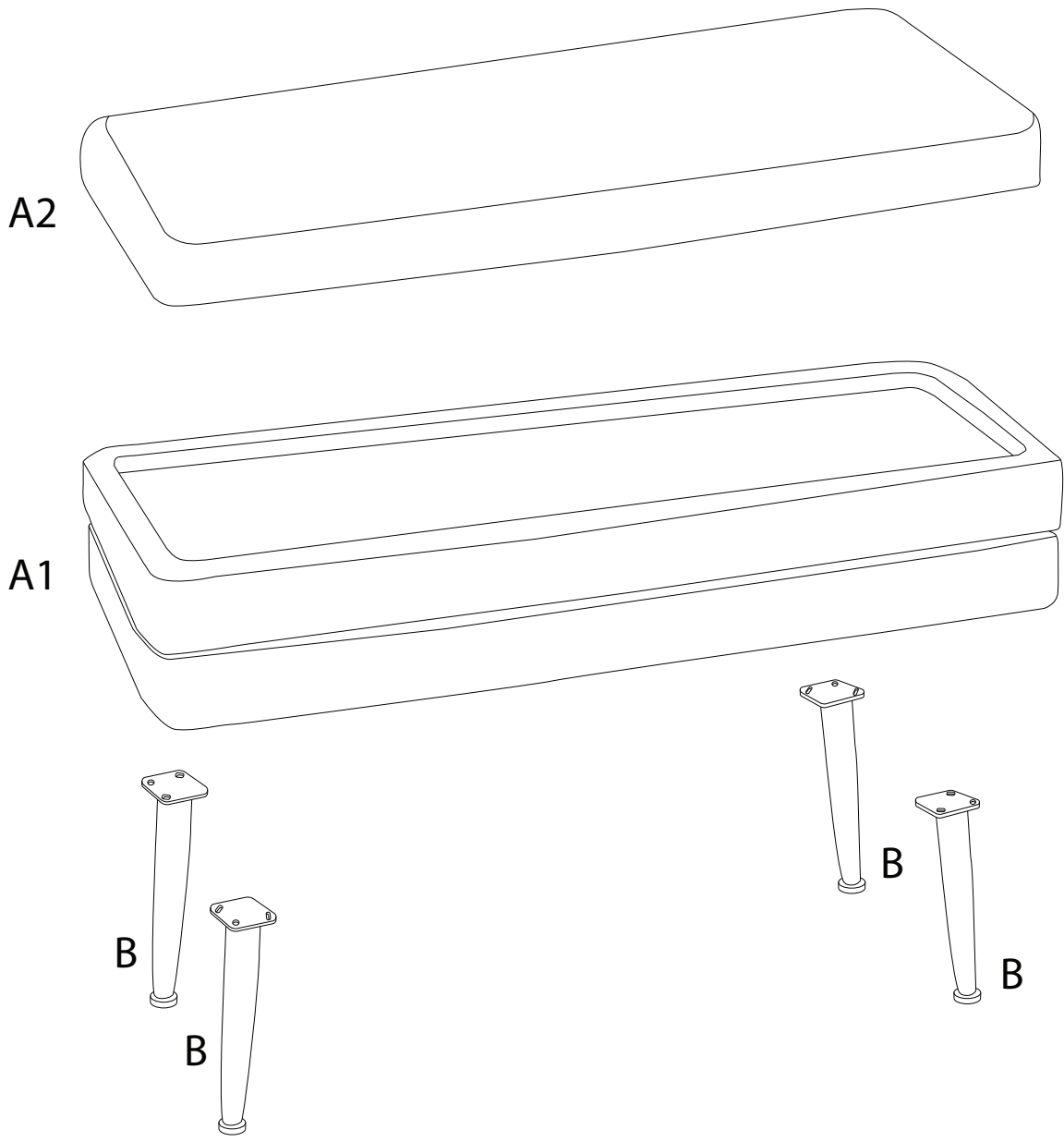

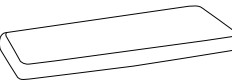



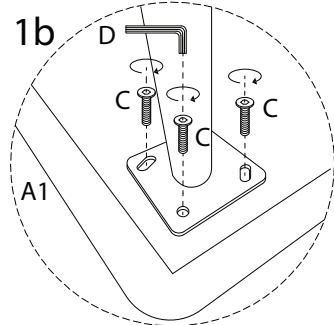
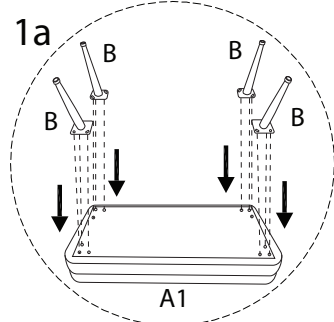
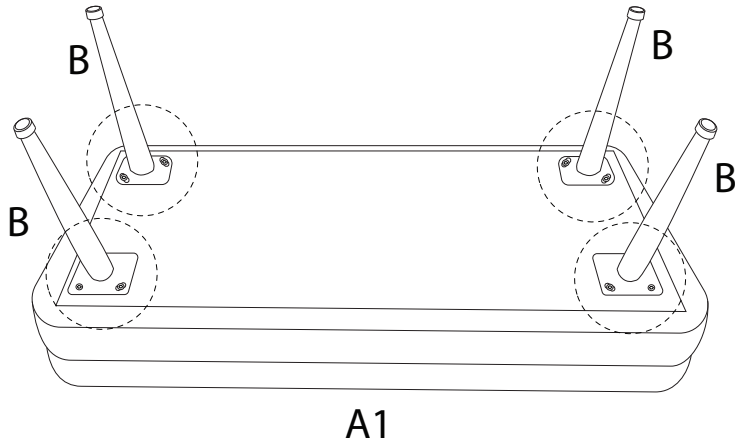
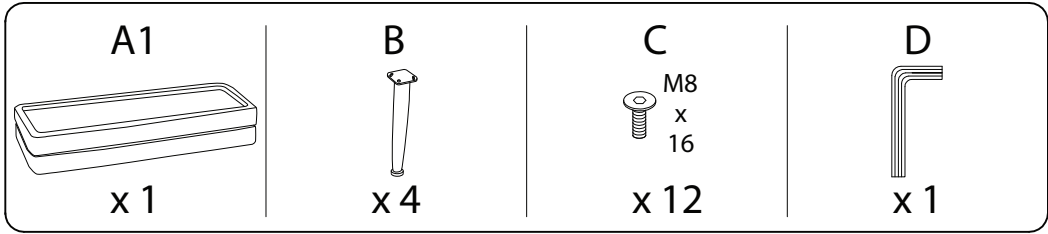

		15'
		1



A1	A2	B	C	D
			 <p>M8 x 16</p>	
x 1	x 1	x 4	x 12	x 1

1



2

