

# ASSEMBLY INSTRUCTIONS



*Fine Furniture for every stage of life*

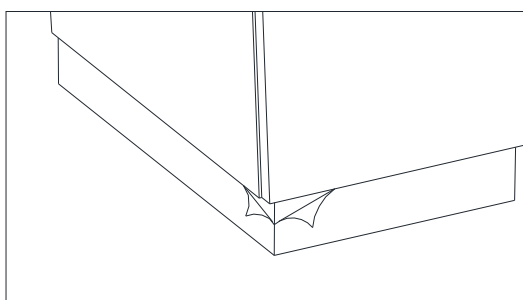
***Nightstand***

REVISION 0 : 05/27/2014  
REVISION 1 : 07/26/2019

**PAGE 1 OF 2**

# ASSEMBLY INSTRUCTIONS

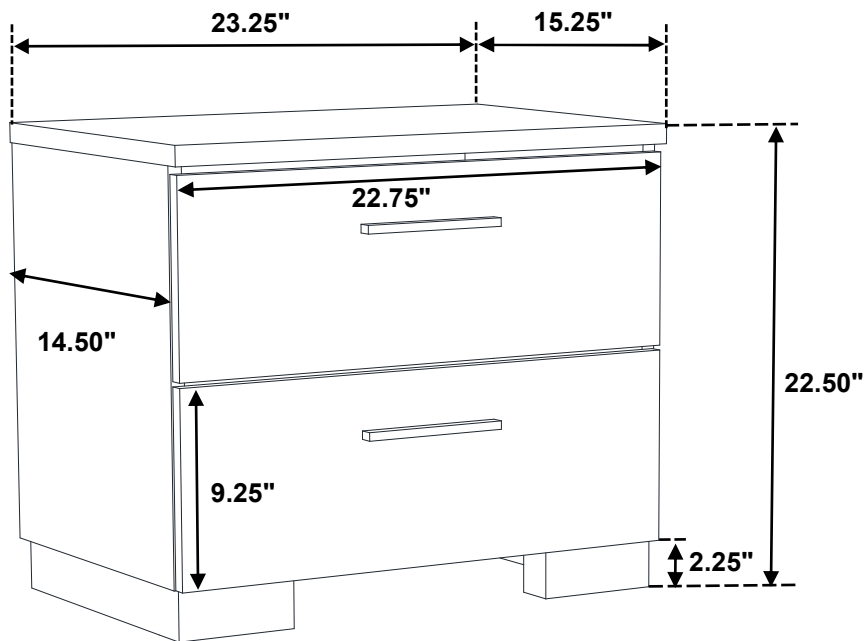
## REMOVAL OF PROTECTIVE FILM



**PLEASE REMOVE THE  
PROTECTIVE FILM  
BEFORE USE**



**Inner Size of Drawer : 20.00"W x 12.50"D x 5.00"H x 0.25"T**



**Note : Dimension tolerance  $\pm 5\%$**

# ASSEMBLY INSTRUCTIONS



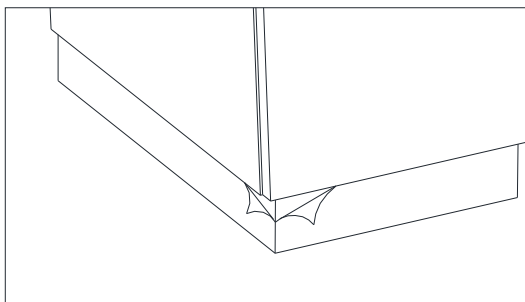
*Fine Furniture for every stage of life*

***Dresser***

REVISION 0 : 05/16/2014  
REVISION 1 : 05/27/2014  
REVISION 2 : 07/26/2019

# ASSEMBLY INSTRUCTIONS

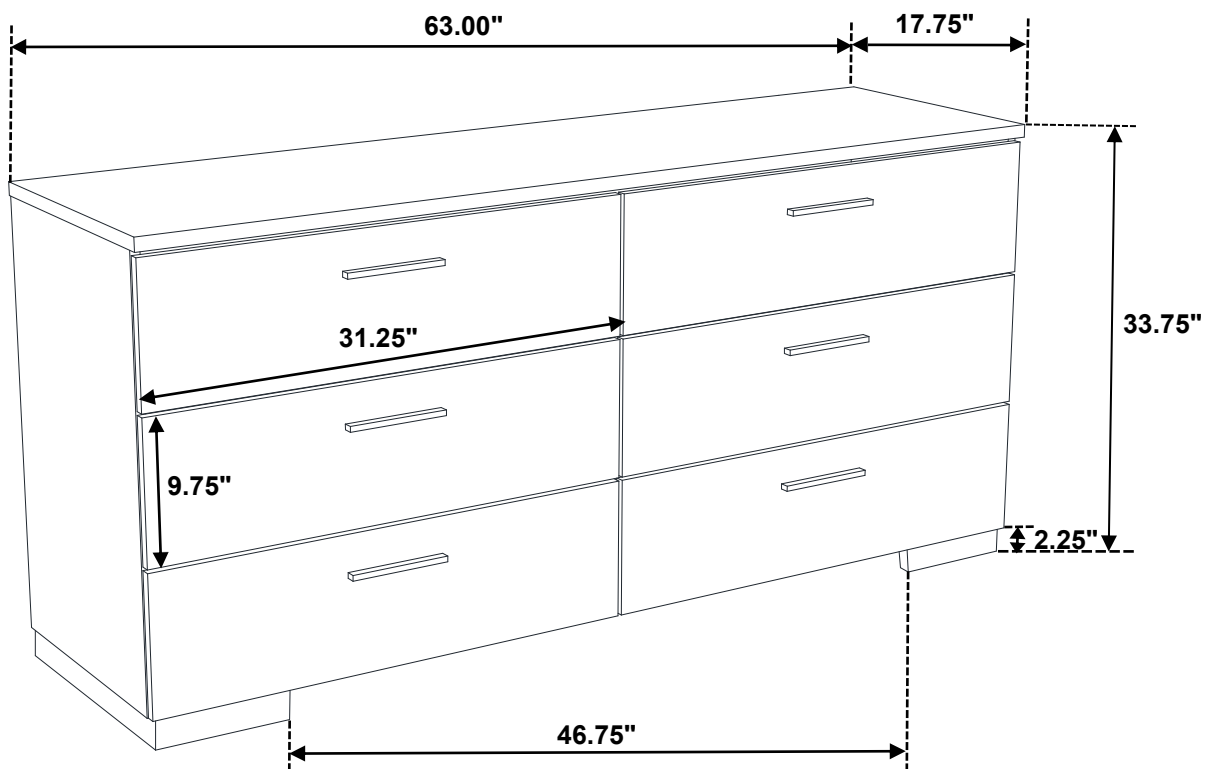
## REMOVAL OF PROTECTIVE FILM



**PLEASE REMOVE THE  
PROTECTIVE FILM  
BEFORE USE**



**Inner Size of Drawer : 28.75"W x 12.50"D x 5.00"H x 0.25"T**



**Note : Dimension tolerance  $\pm 5\%$**

# ASSEMBLY INSTRUCTIONS



*Fine Furniture for every stage of life*

**Mirror**

REVISION 0 : 05/16/2014  
REVISION 1 : 02/09/2017  
REVISION 2 : 07/25/2019

**PAGE 1 OF 4**

# ASSEMBLY INSTRUCTIONS

## ASSEMBLY TIPS:

1. Remove hardware from box and sort by size.
2. Please check to see that all hardware and parts are present prior to start of assembly.
3. Please follow attached instructions in the same sequence as numbered to assure fast & easy assembly.



### WARNING!

1. Don't attempt to repair or modify parts that are broken or defective. Please contact the store immediately.
2. This product is for home use only and not intended for commercial establishments.



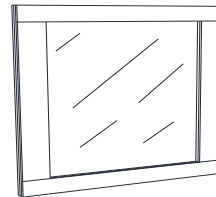
ASSEMBLY TIME

5 MINUTES

## PARTS IDENTIFICATION

A

MIRROR



1PC

B

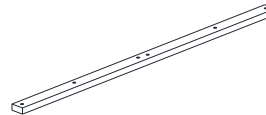
DRESSER



1PC

C

MIRROR SUPPORT  
(PACK WITH DRESSER)



2PCS

## HARDWARE IDENTIFICATION

1

FLAT HEAD SCREW  
(M4 x 32mm - RBW)



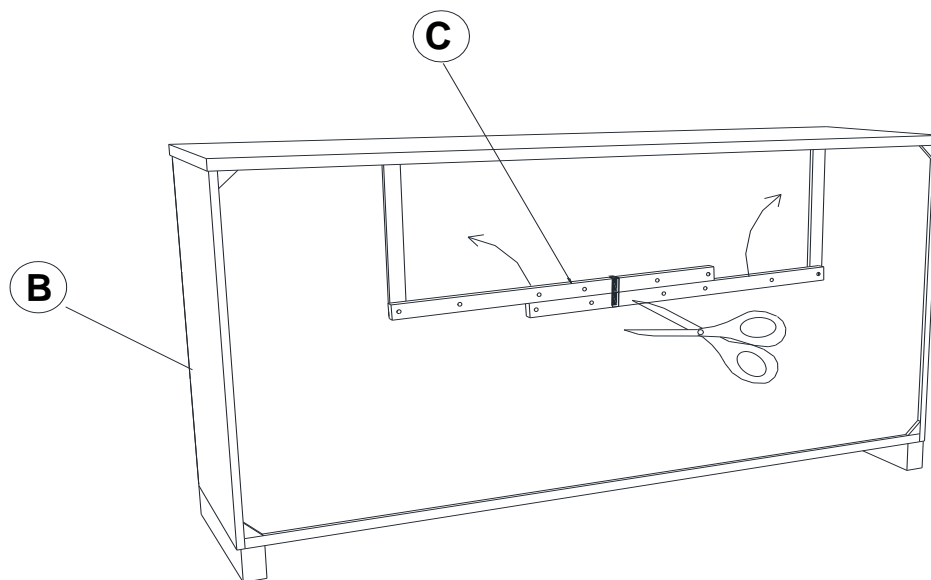
10PCS

### NOTE:

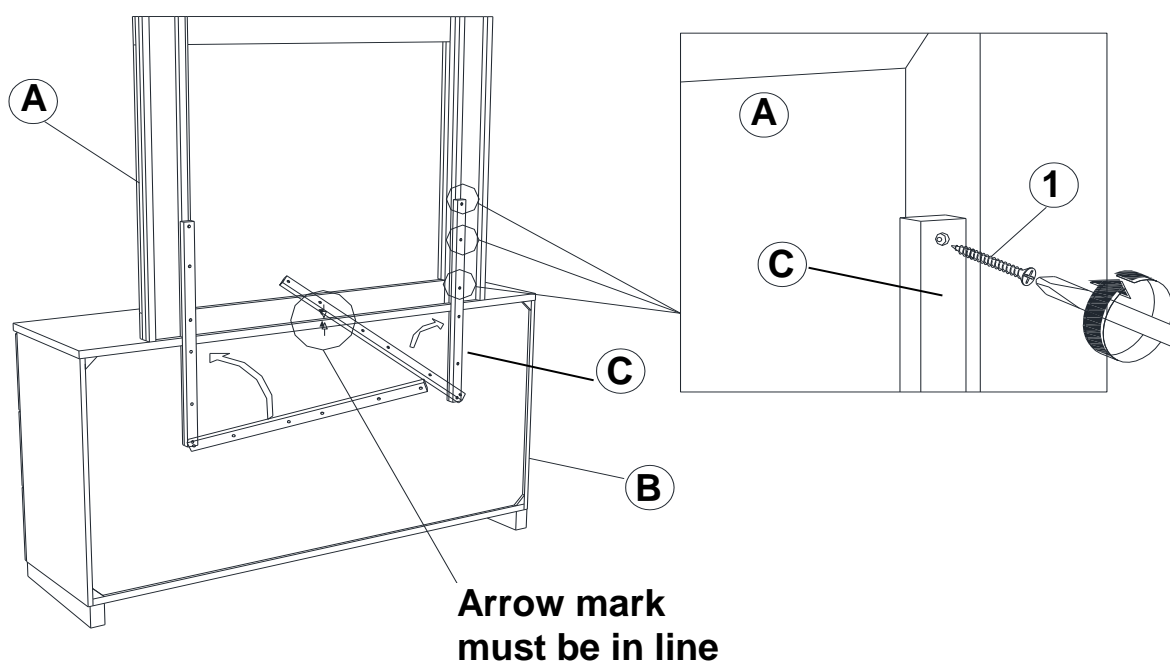
Phillips head screw driver is required in the assembly process; however, manufacturer does not provide this item.

# ASSEMBLY INSTRUCTIONS

## STEP 1



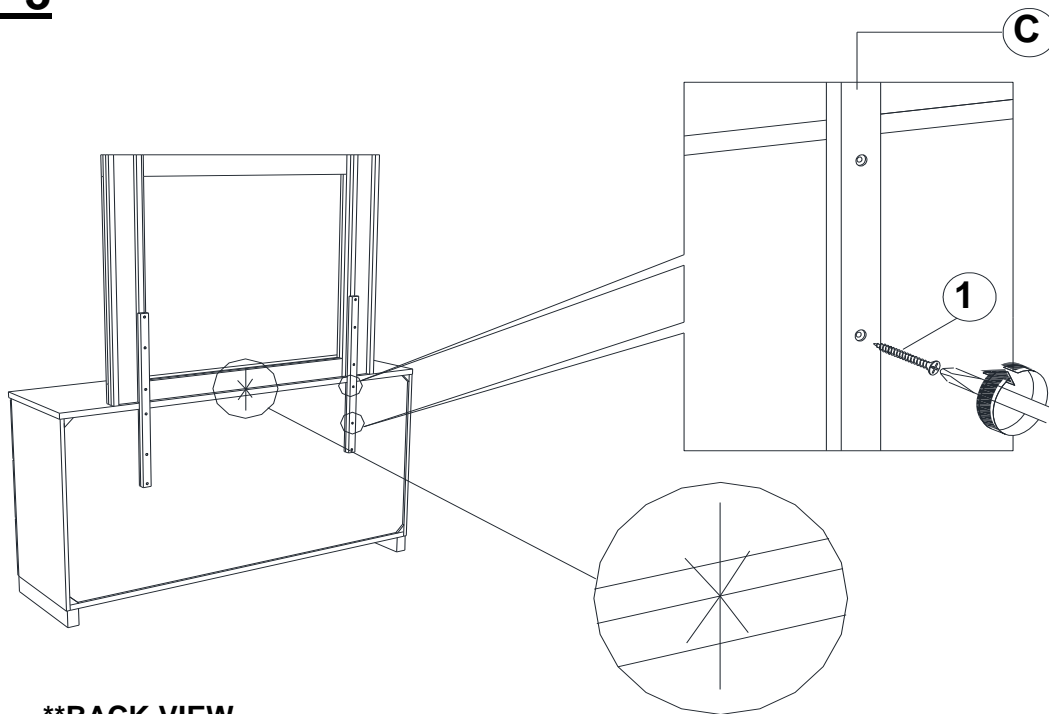
## STEP 2



**\*\*BACK VIEW**

# ASSEMBLY INSTRUCTIONS

## STEP 3

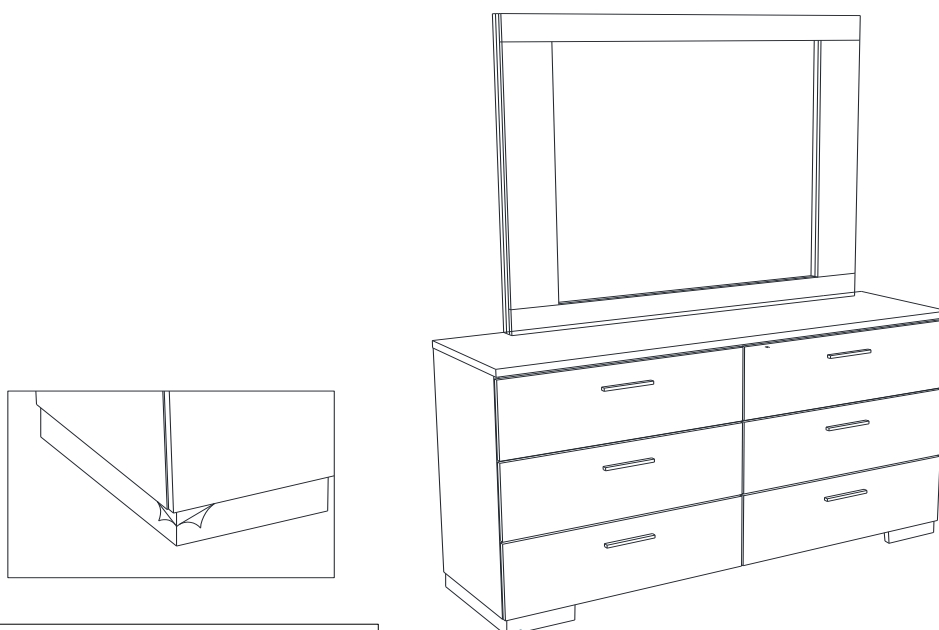


**\*\*BACK VIEW**

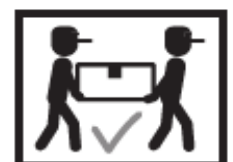
**Arrow Marking Must Be Aligned**

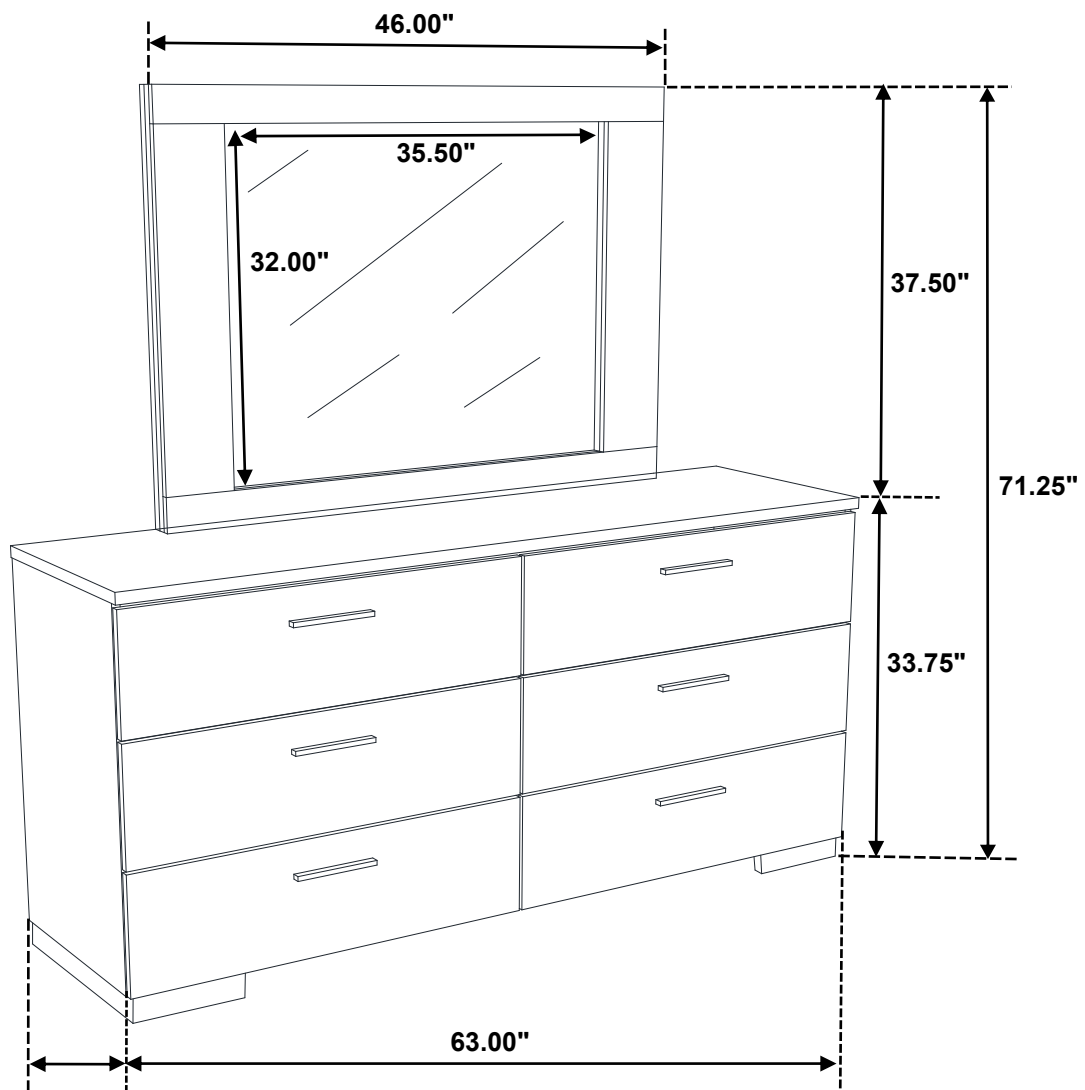
## STEP 4

## **COMPLETE**



**PLEASE REMOVE THE PROTECTIVE FILM BEFORE USE**





**Note : Dimension tolerance  $\pm 5\%$**

# *ASSEMBLY INSTRUCTIONS*



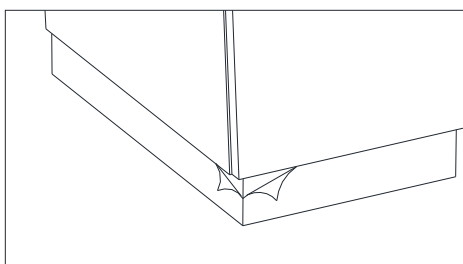
*Fine Furniture for every stage of life*

***Chest***

REVISION 0 : 05/16/2014  
REVISION 1 : 05/27/2014  
REVISION 2 : 07/26/2019

# ASSEMBLY INSTRUCTIONS

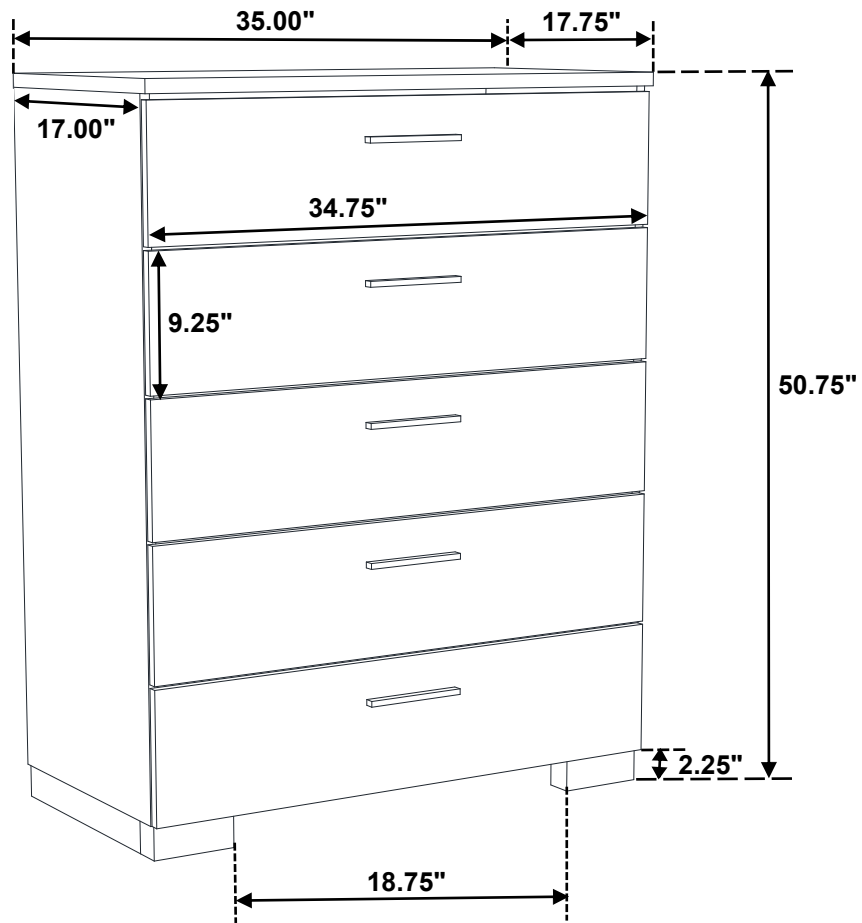
## REMOVAL OF PROTECTIVE FILM



**PLEASE REMOVE THE  
PROTECTIVE FILM  
BEFORE USE**



**Inner Size of Drawer : 32.00"W x 12.50"D x 5.00"H x 0.25"T**



**Note : Dimension tolerance  $\pm 5\%$**

# *ASSEMBLY INSTRUCTIONS*



*Fine Furniture for every stage of life*

## *Queen Storage Bed*

# ASSEMBLY INSTRUCTIONS

## ASSEMBLY TIPS:

1. Remove hardware from box and sort by size.
2. Please check to see that all hardware and parts are present prior to start of assembly.
3. Please follow attached instructions in the same sequence as numbered to assure fast & easy assembly.



### WARNING!

1. Don't attempt to repair or modify parts that are broken or defective. Please contact the store immediately.
2. This product is for home use only and not intended for commercial establishments.



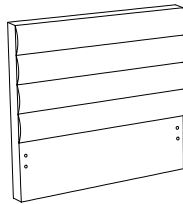
ASSEMBLY TIME

20 MINUTES

## PARTS IDENTIFICATION

### B1 ( BOX 1 )

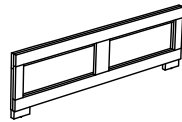
A HEADBOARD



1PC

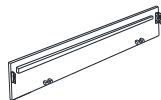
### B2 ( BOX 2 )

B FOOTBOARD FRAME



1PC

C BED RAIL



2PCS

D BED SLAT WITH ONE HOLE



3PCS

E BED SLAT WITH MARKING



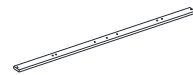
2PCS

F CONCEAL PANEL



5PCS

G DRAWER SUPPORT SLAT



1PC

H DRAWER SUPPORT RAIL



2PCS

I BED SLAT SUPPORT WITH LEVELER



5PCS

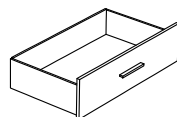
J DRAWER SUPPORT SLAT LEG WITH LEVELER



1PC

### B3 ( BOX 3 )

K DRAWER BOX



2PCS

# ASSEMBLY INSTRUCTIONS

## ASSEMBLY TIPS:

1. Remove hardware from box and sort by size.
2. Please check to see that all hardware and parts are present prior to start of assembly.
3. Please follow attached instructions in the same sequence as numbered to assure fast & easy assembly.











## WARNING!

1. Don't attempt to repair or modify parts that are broken or defective. Please contact the store immediately.
2. This product is for home use only and not intended for commercial establishments.

## HARDWARE IDENTIFICATION

### BOX 2 - HARDWARE PACK

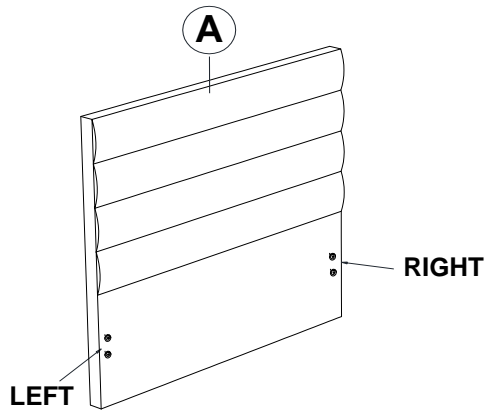
|   |  |   |       |   |  |   |      |
|---|--|---|-------|---|--|---|------|
| 1 | <b>FLAT HEAD SCREW</b><br>(M4 x 32mm - RBW)  |    | 14PCS | 5 | <b>LOCK WASHER</b><br>(1/4" - BLK)             |    | 2PCS |
| 2 | <b>PAN HEAD SCREW</b><br>(M3.5 x 20mm - BLK) |    | 25PCS | 6 | <b>FLAT WASHER</b><br>(1/4"ID x 13mm - BLK)    |    | 2PCS |
| 3 | <b>SHORT BOLT</b><br>(M6 x 35mm - BLK)       |  | 2PCS  | 7 | <b>SMALL ALLEN WRENCH</b><br>(M4 x 65mm - BLK) |  | 1PC  |
| 4 | <b>LONG BOLT</b><br>(M6 x 50mm - BLK)        |  | 6PCS  | 8 | <b>BIG ALLEN WRENCH</b><br>(M5 x 65mm - BLK)   |  | 1PC  |

## NOTE:

Phillips head screw driver is required in the assembly process; however, manufacturer does not provide this item.

# ASSEMBLY INSTRUCTIONS

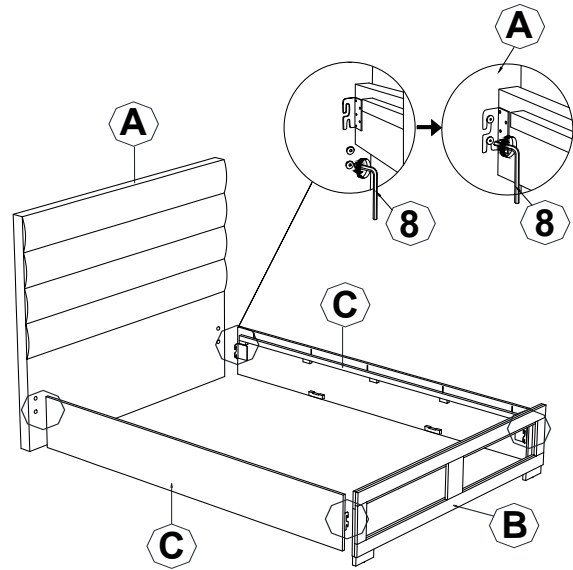
## STEP 1



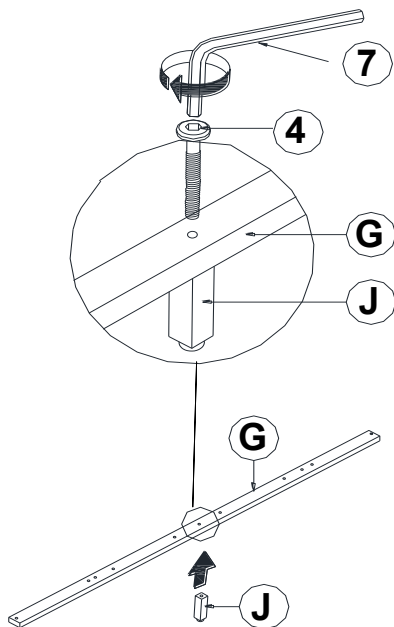
**\*\*FRONT VIEW\*\***

Note : Please take note of the marking sticker (L&R) on the leg.

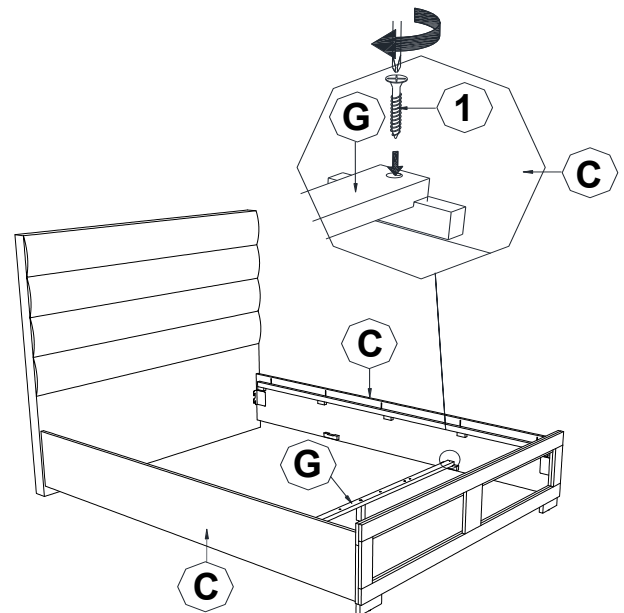
## STEP 2



## STEP 3

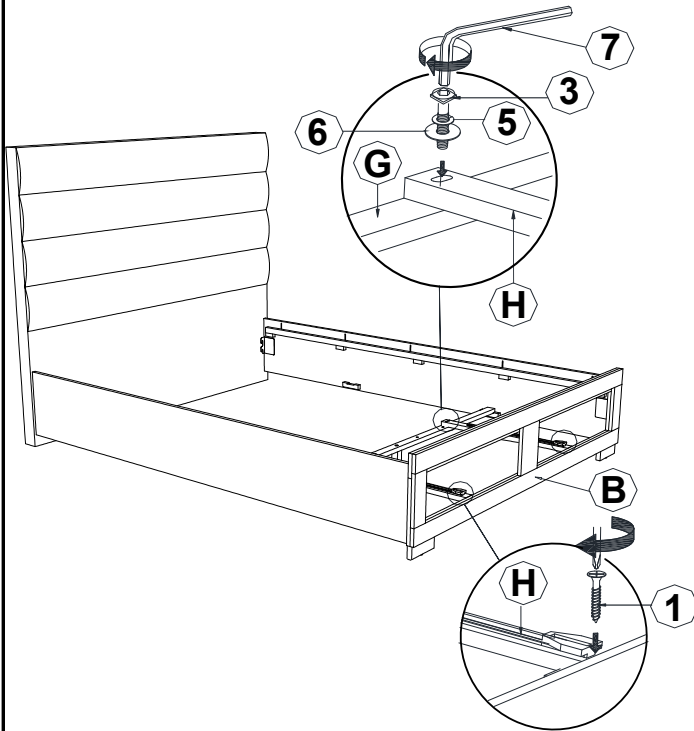


## STEP 4

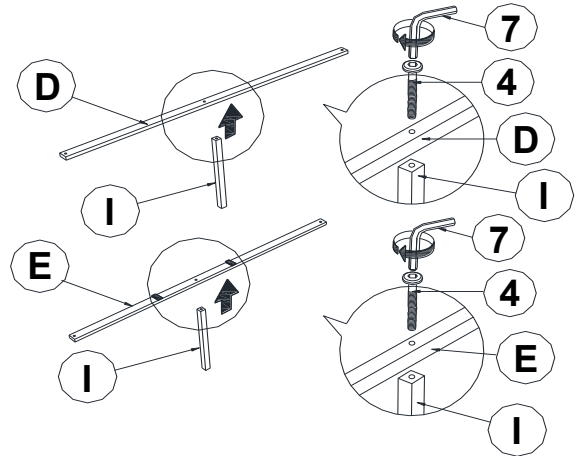


# ASSEMBLY INSTRUCTIONS

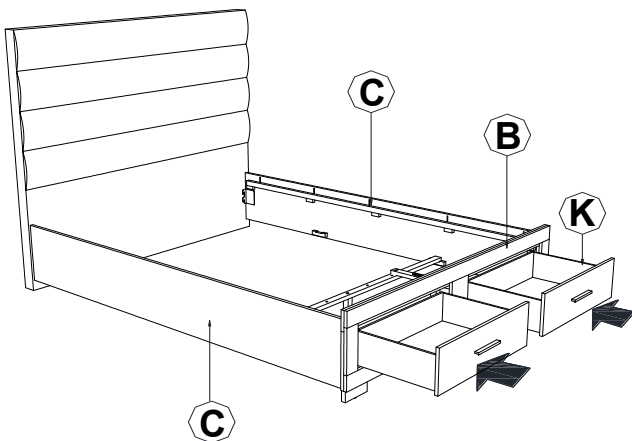
## STEP 5



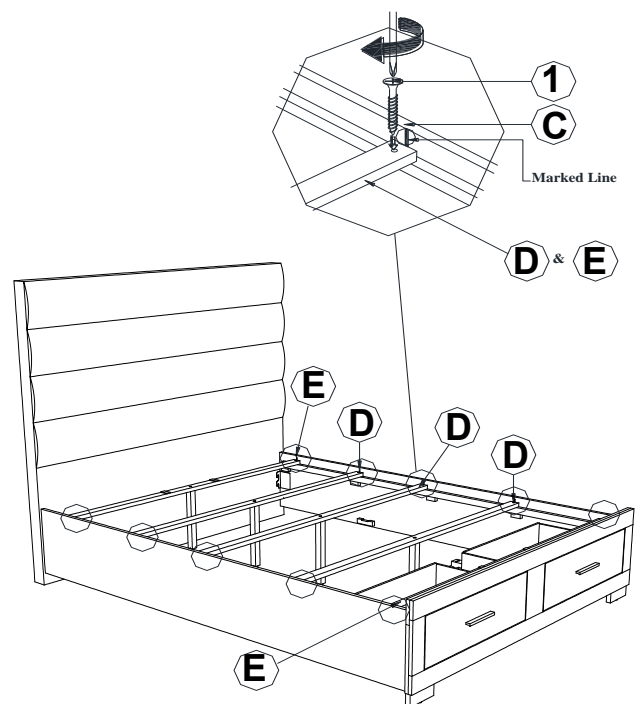
## STEP 6



## STEP 7

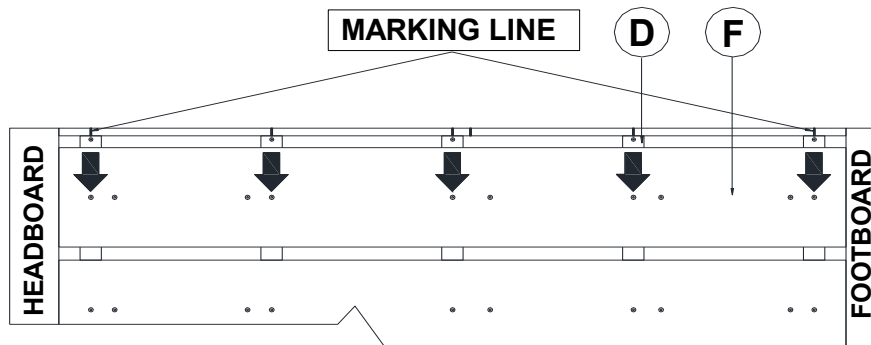


## STEP 8

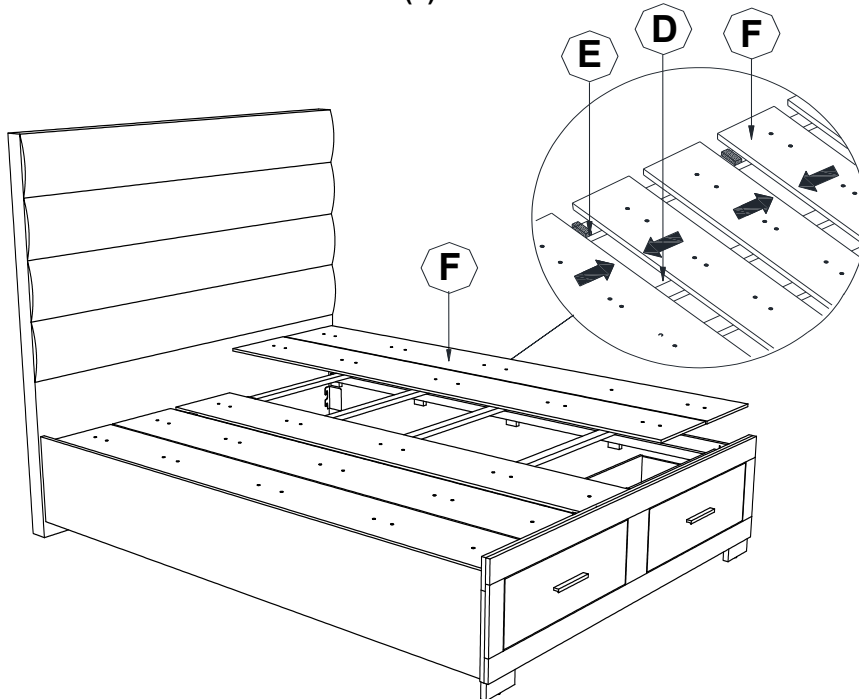


# ASSEMBLY INSTRUCTIONS

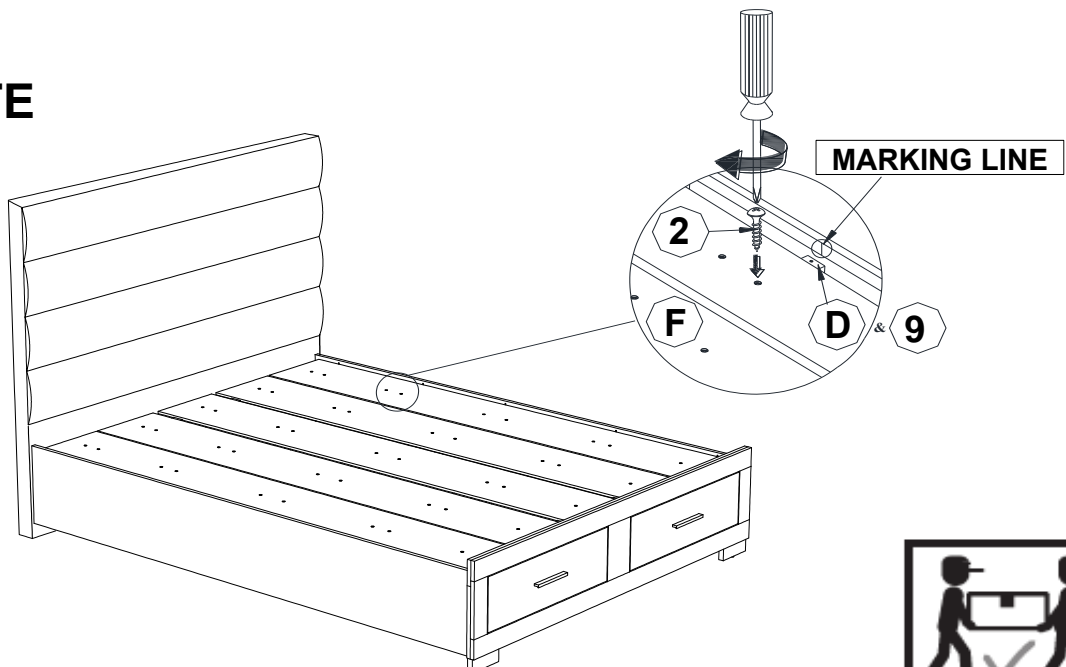
## STEP 9



TIGHTEN THE PAN HEAD SCREW (2) BY FOLLOW THE ARROW AS SHOWN

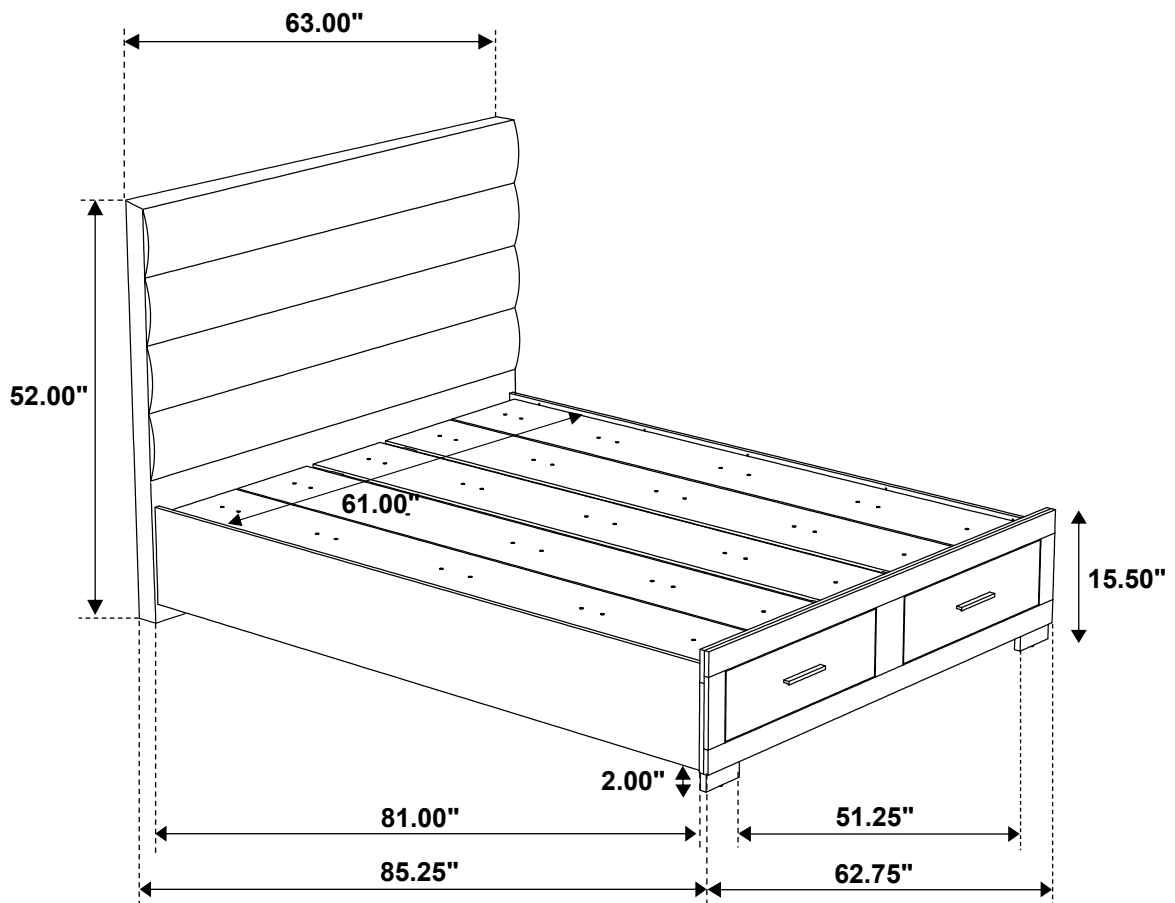


## STEP 10 COMPLETE



**Inner Size of Bed: 61.00"W X 81.00"D**

**Inner Size of Drawer : 23.25"W X 15.00"D X 5.00"H X 0.25"T**



**Note: Dimension tolerance  $\pm 5\%$**