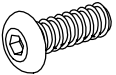

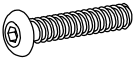
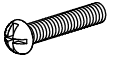
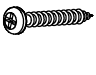
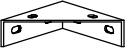
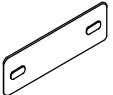

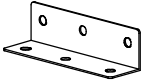

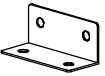
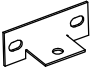
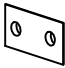
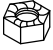

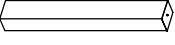
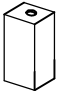



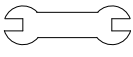
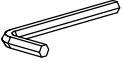
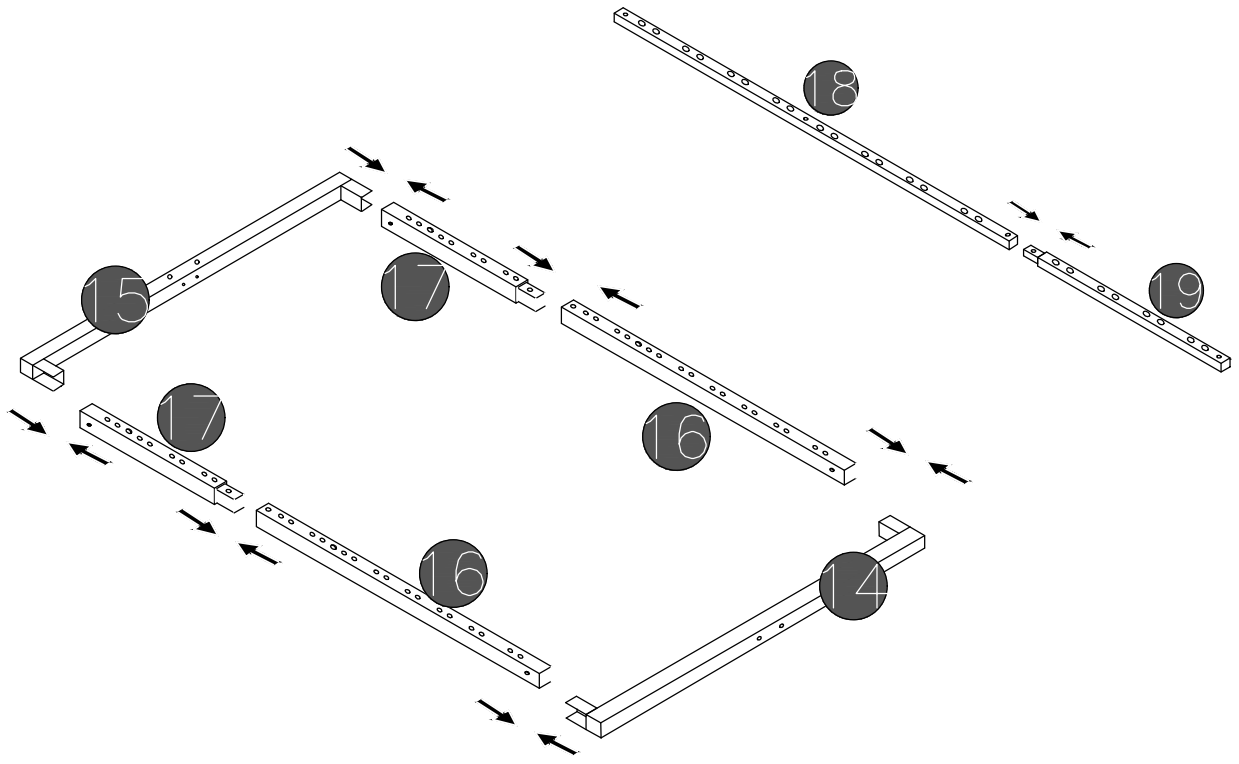


A	 8*20	40
B	 8*50	16
C	 8*40	12
D	 8*40	12
E	 3.5*20	12
F		2
G		2
H		6

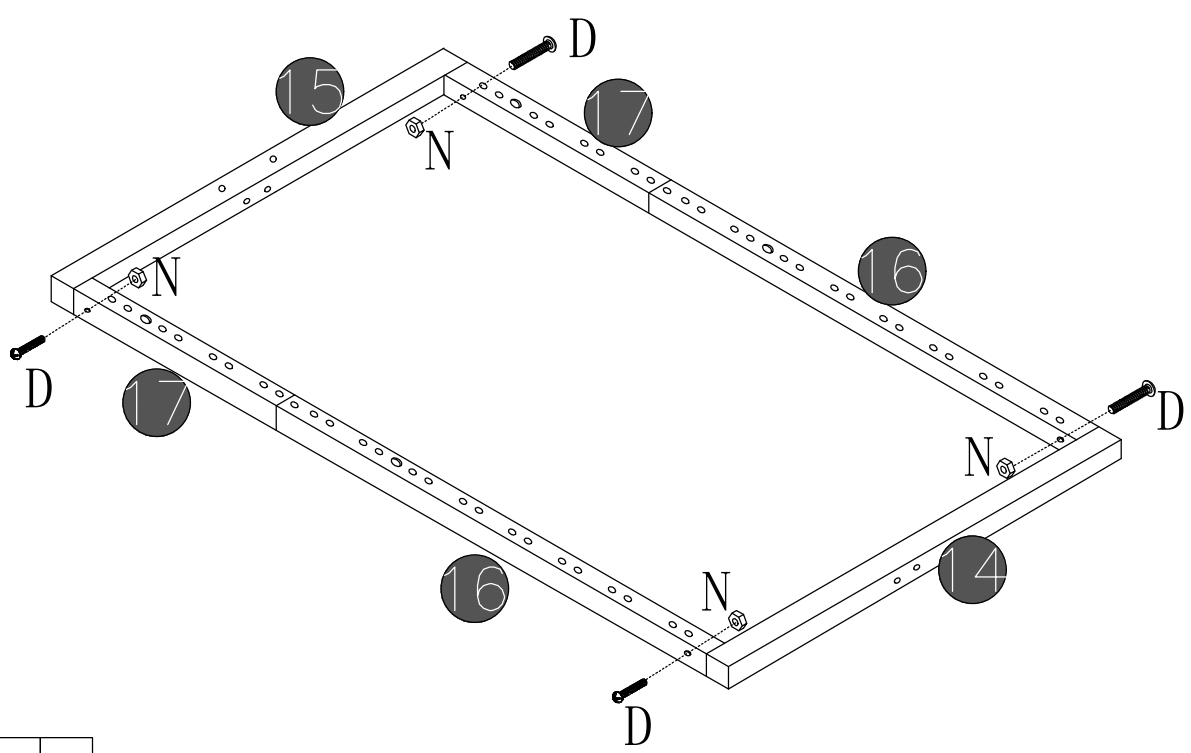
I		2
J		2
K		2
L		2
M		2
N		21
O		12
P	 22.5cm	3


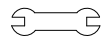
Q	 6.5cm	2
R	 4cm	2
S		4
T		1
U		1
V		1



01



02

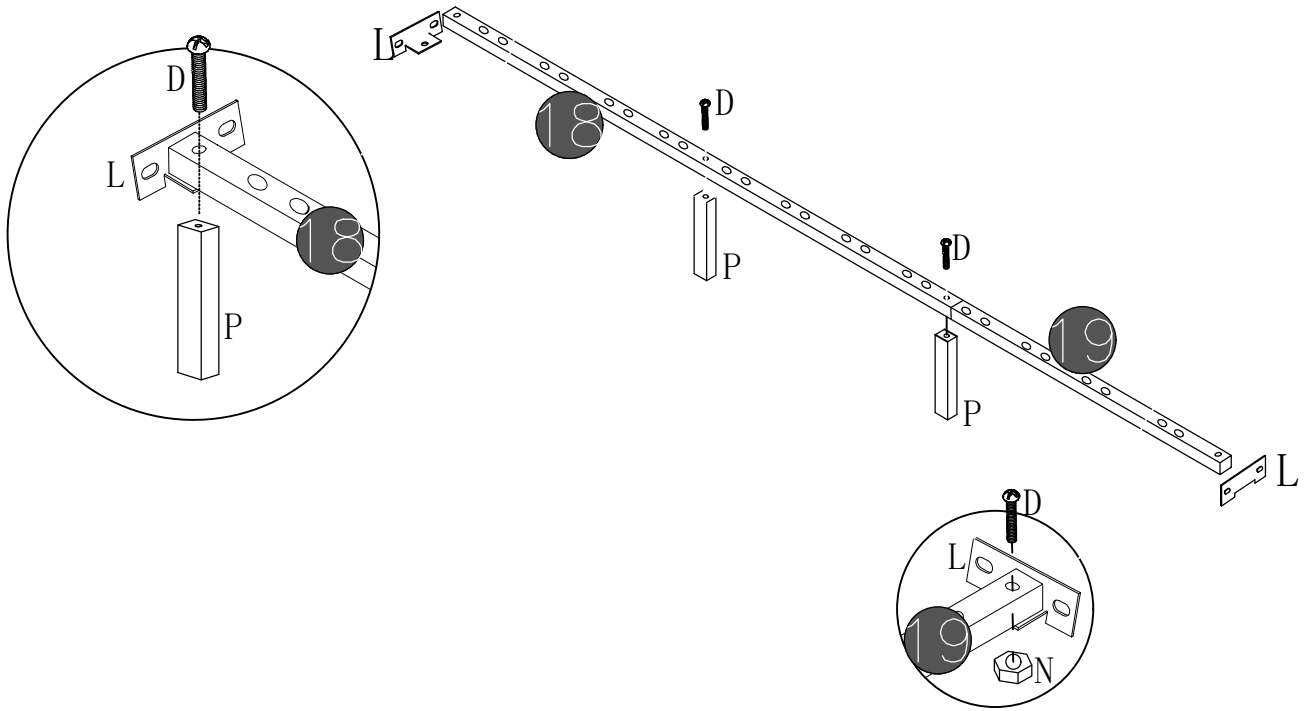



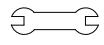
T		1
U		1

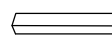

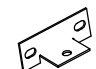

N		4	D		4
---	---	---	---	---	---

8*40

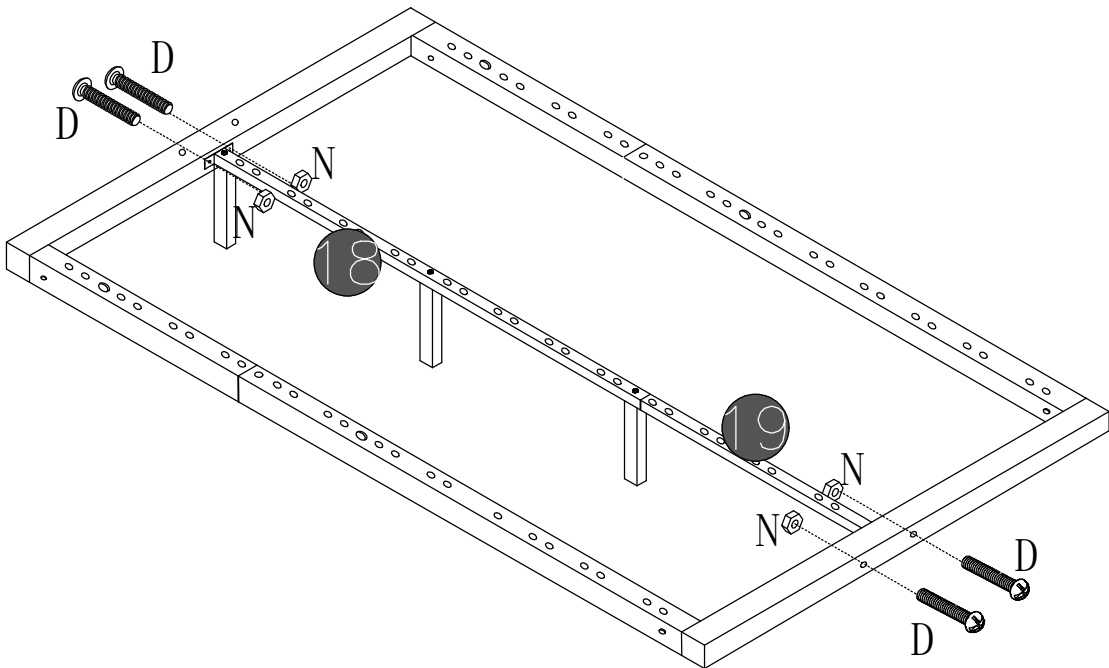
03


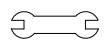




T		1
U		1

P	 22.5cm	3	N		1
L		2	D	 8*40	4

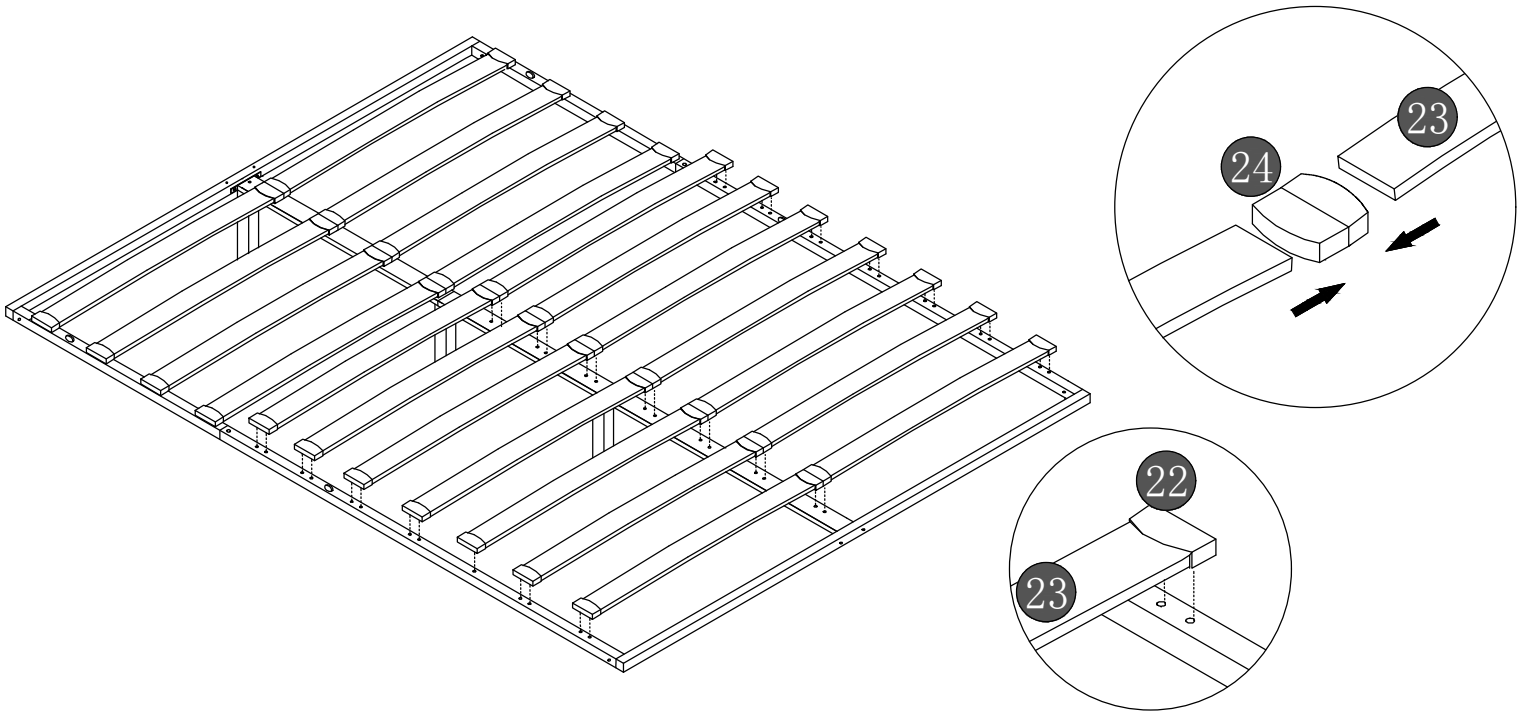
04



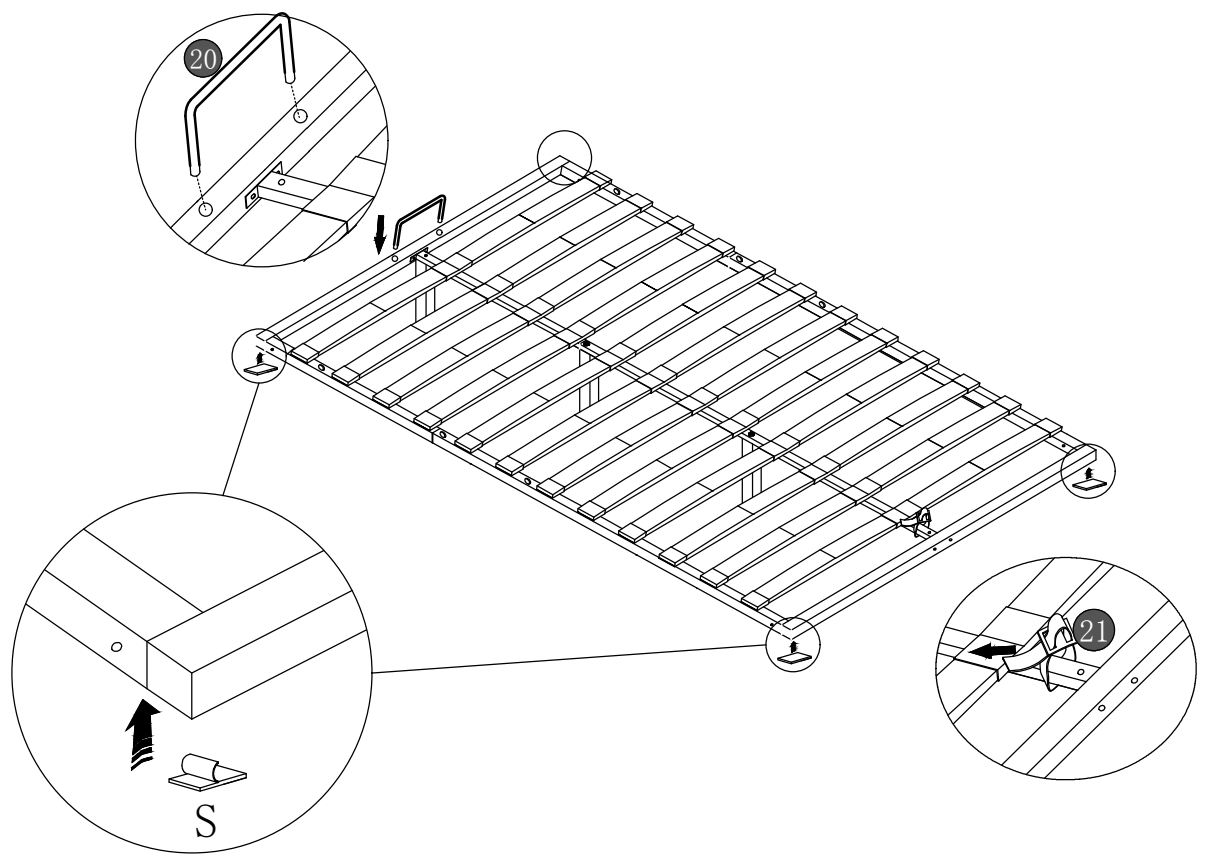
T		1
U		1

N		4	D	 8*40	4
---	---	---	---	---	---

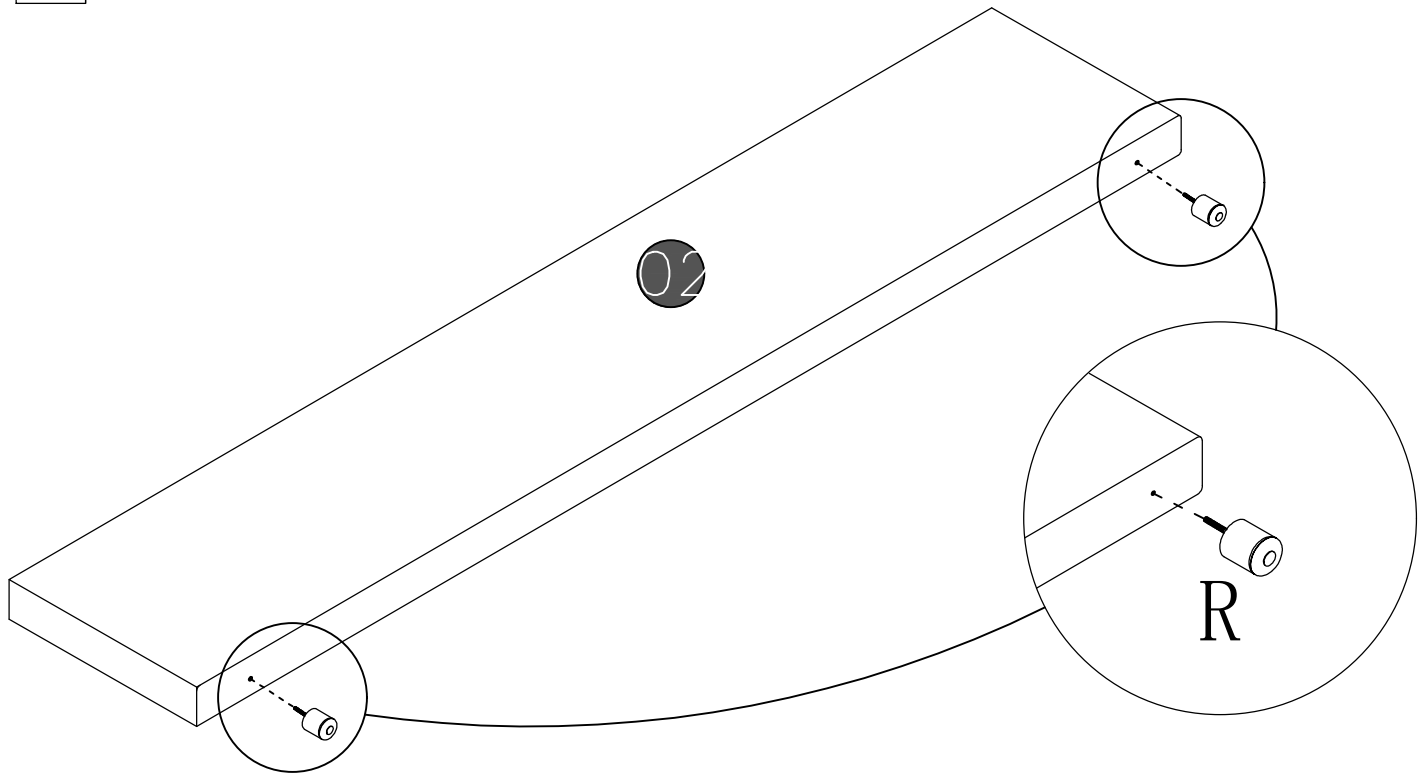
05




06

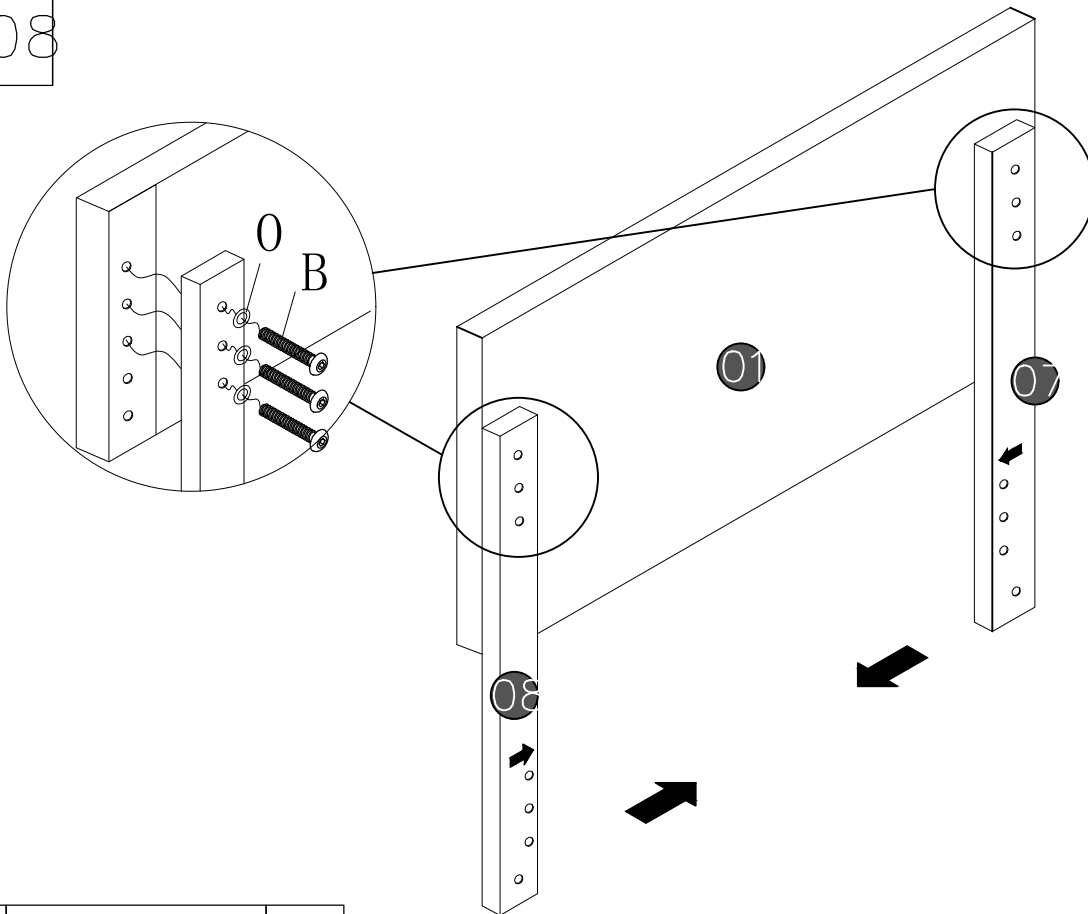


07

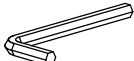




R		4cm	2
---	---	-----	---

08

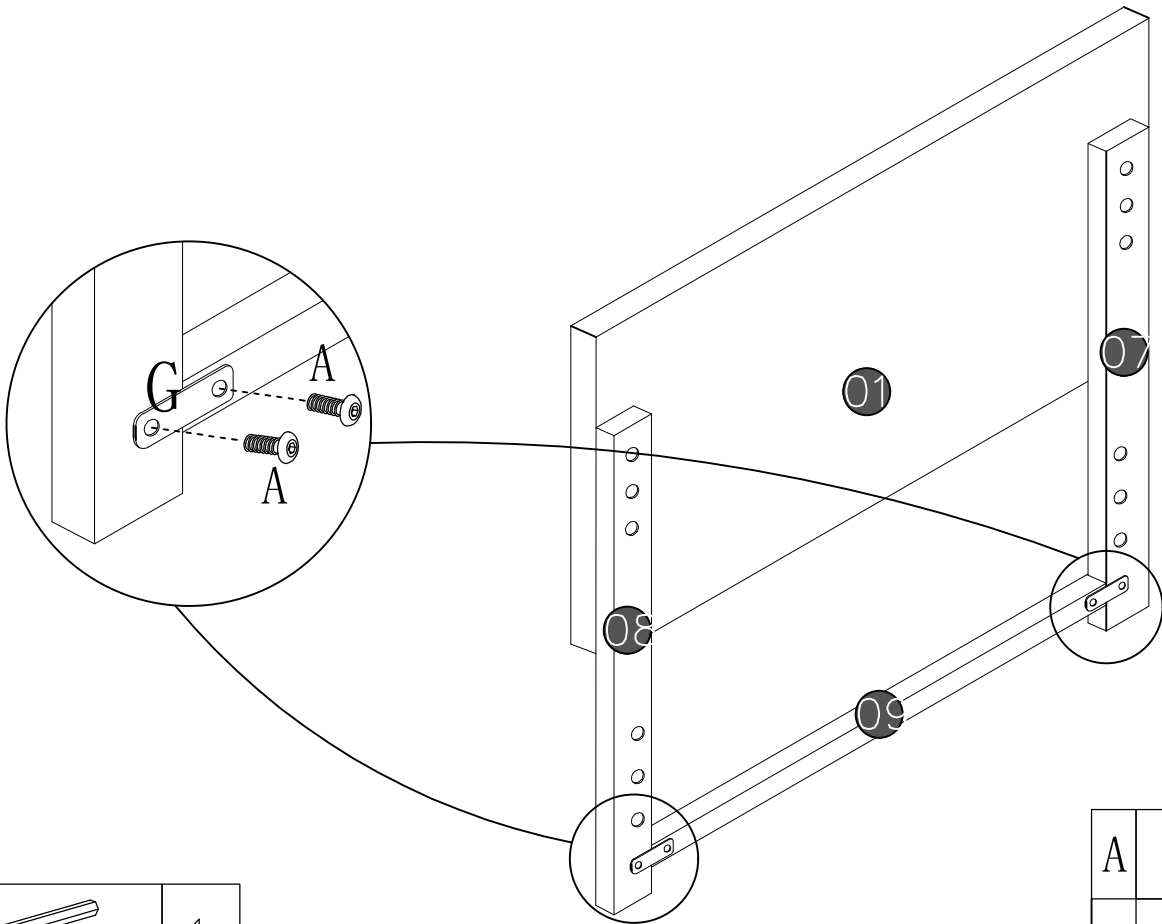



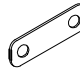
The hole connecting the head of the bed in parts 5 and 6 is on the inside please refer to the Arrow

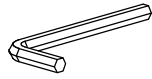
V		1
---	---	---

B		8*50	6
O			6

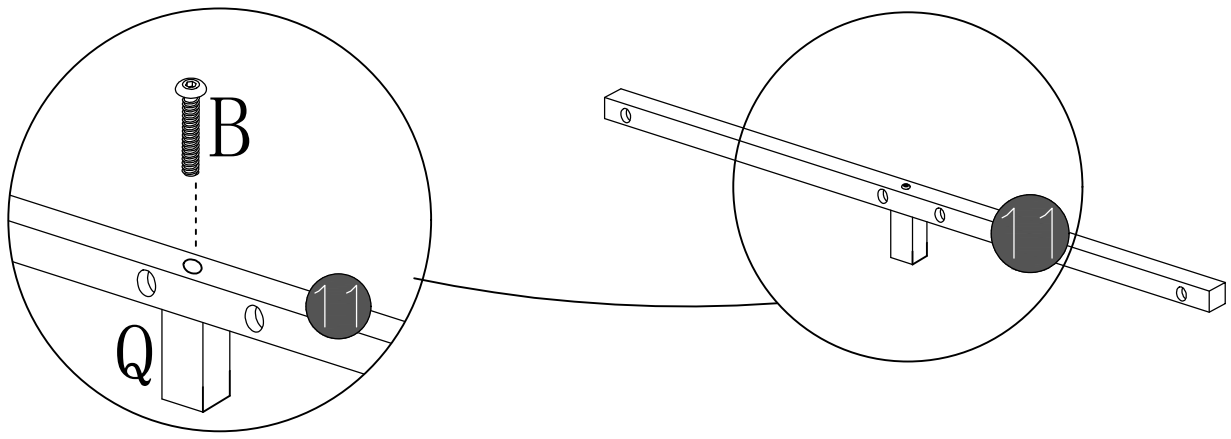
09

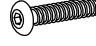



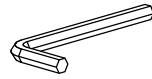
A	 8*20	4
G		2

V		1
---	---	---

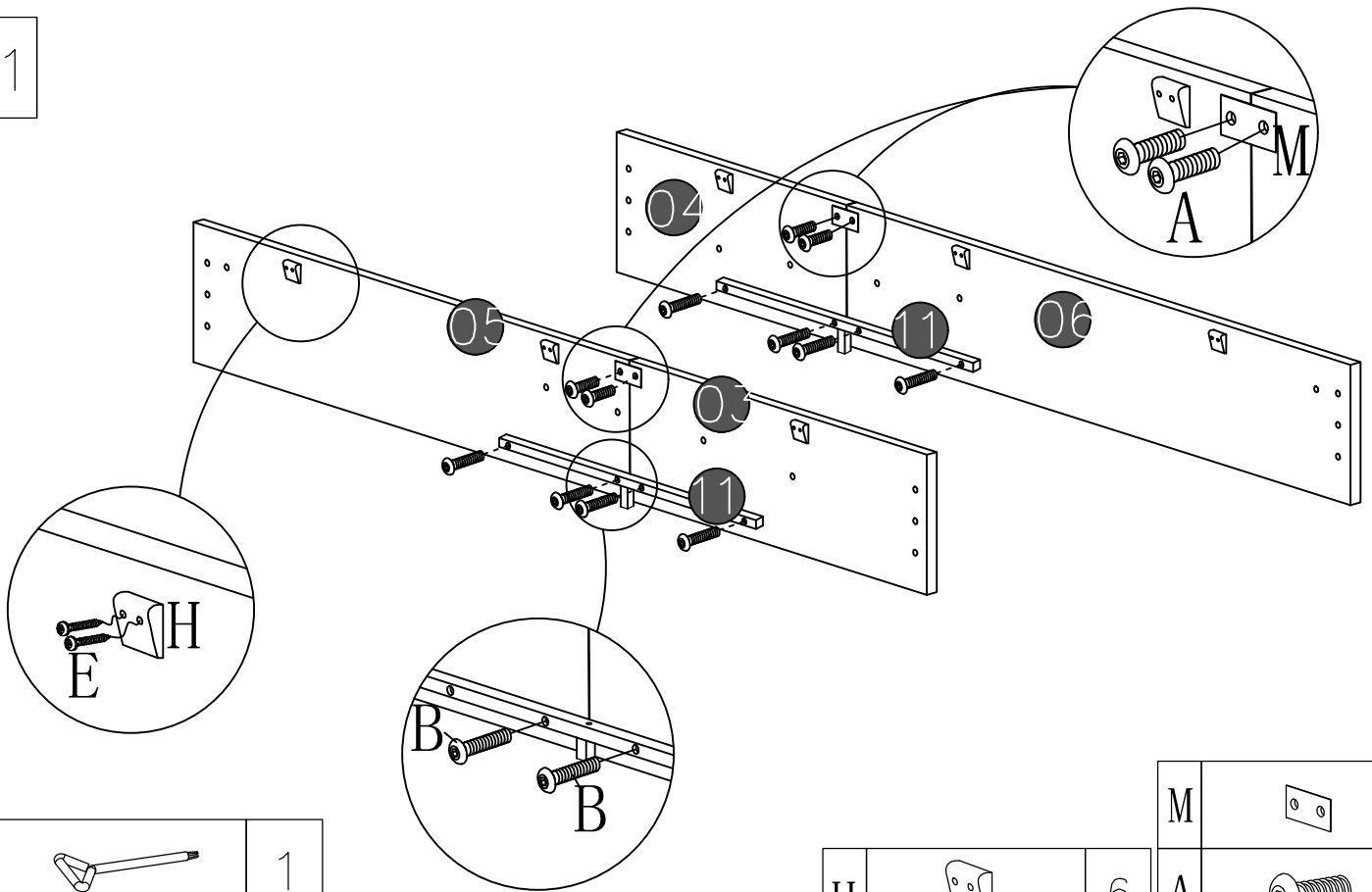
10


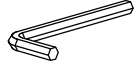






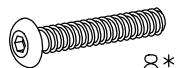
B	 8*50	2
Q	 6.5cm	2

V		1
---	---	---

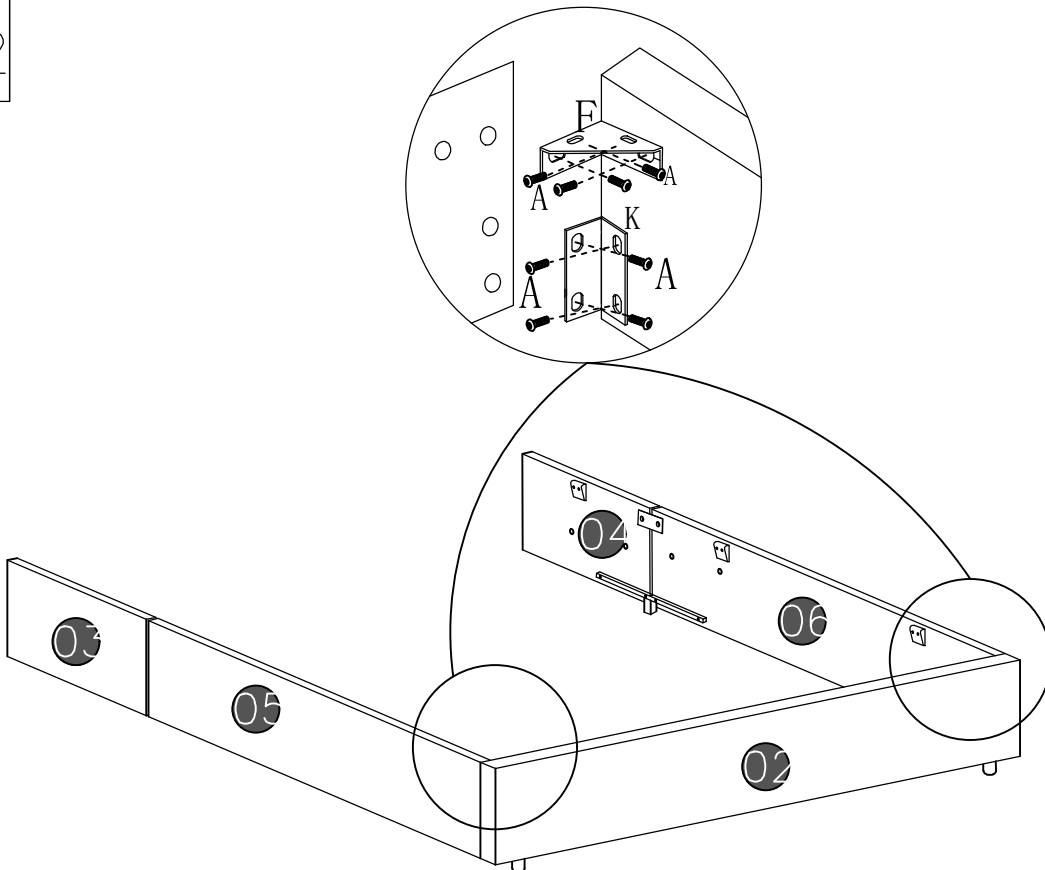
11

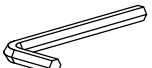


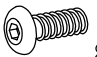
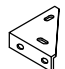

T		1
V		1

H		6	M		2
E	 3.5*20	12	A	 8*20	4
			B	 8*50	8

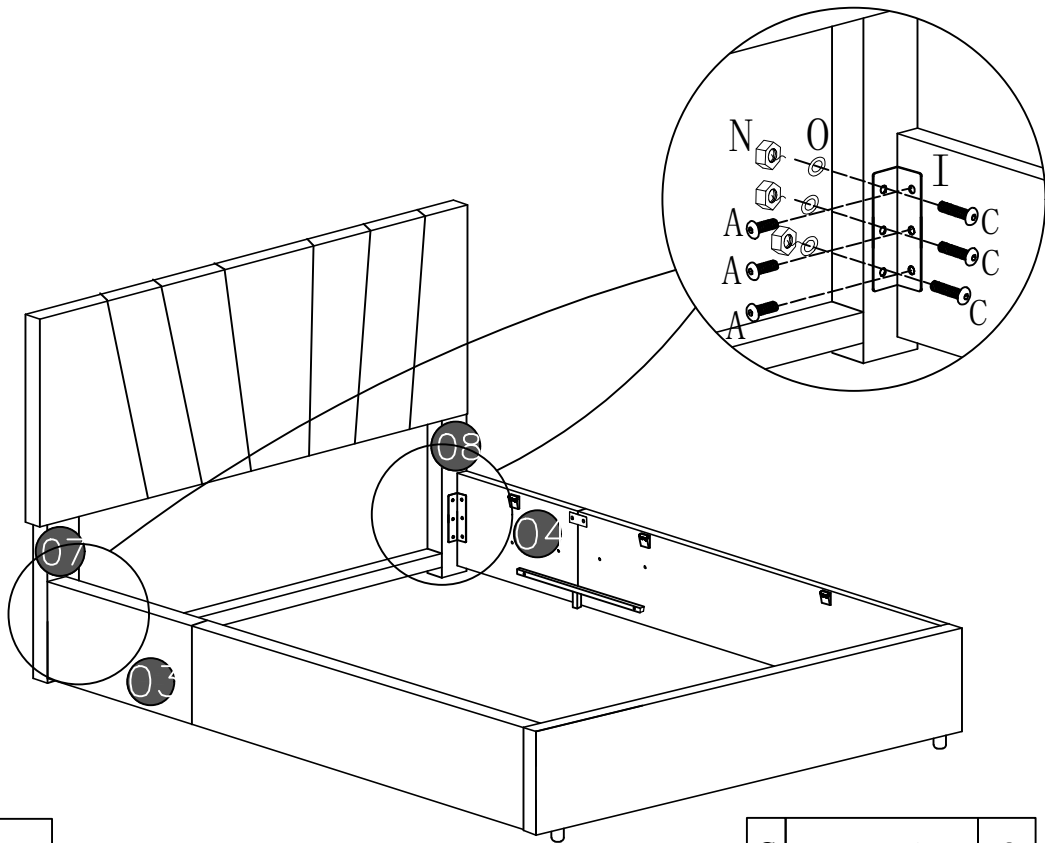
12

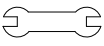
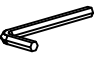




V		1
---	---	---




A	 8*20	16	F		2
			K		2

13

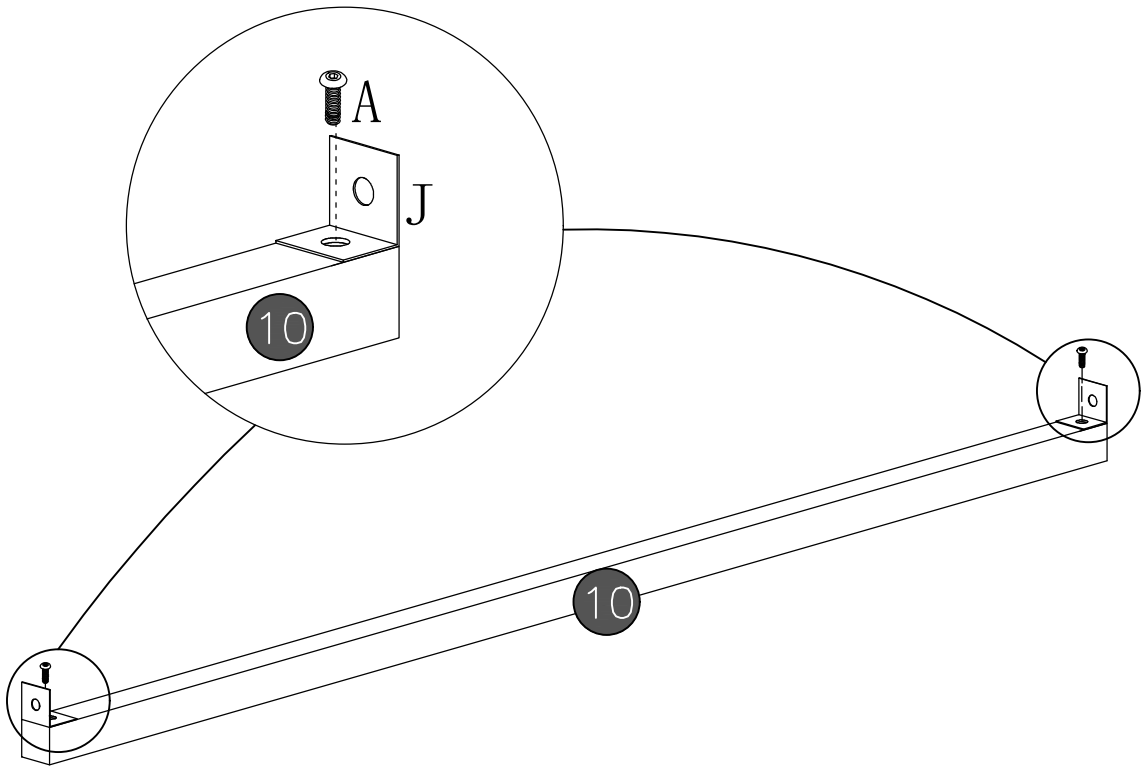


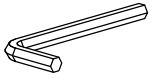
U		1
V		1

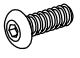
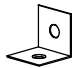
C	 8*40	6
N	 M8	6

O		6
I		2
A	 8*20	6

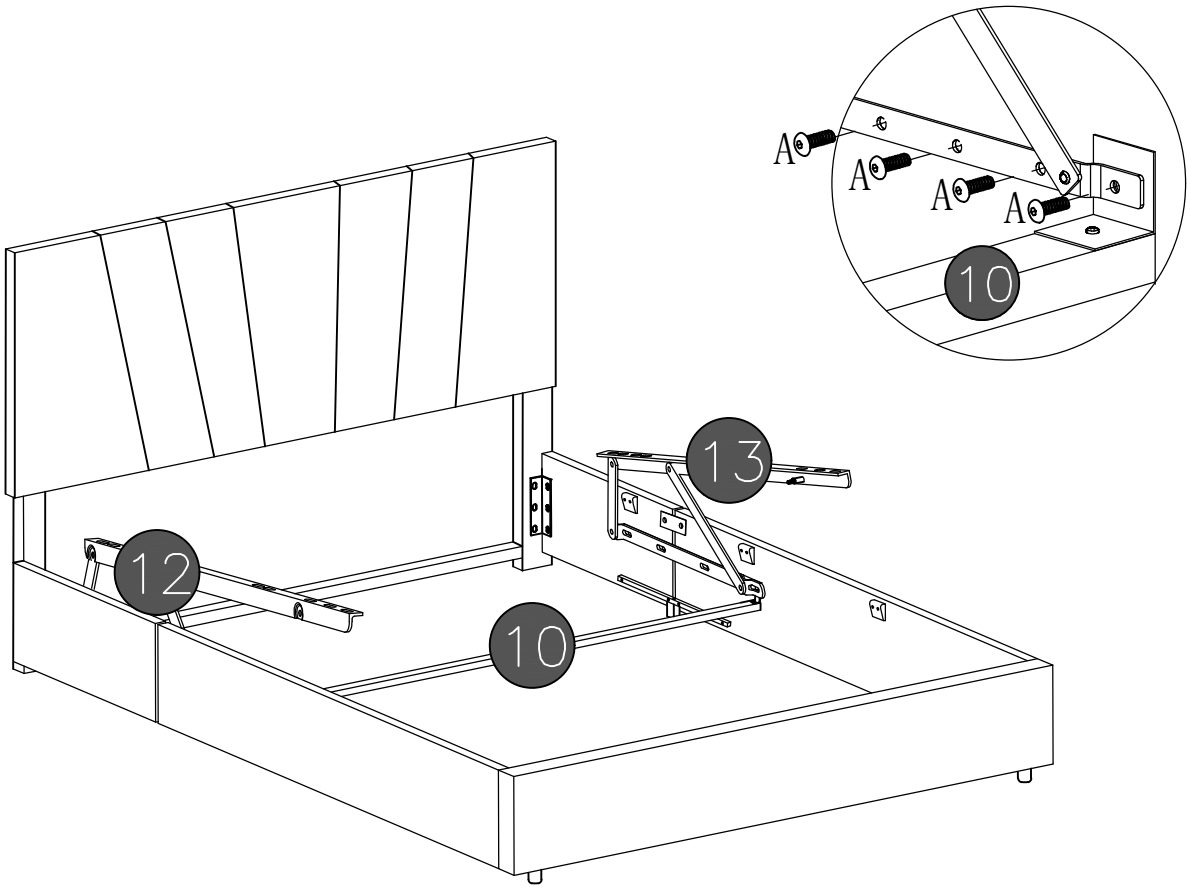
14



V		1
---	---	---

A	 8*20	2
J		2

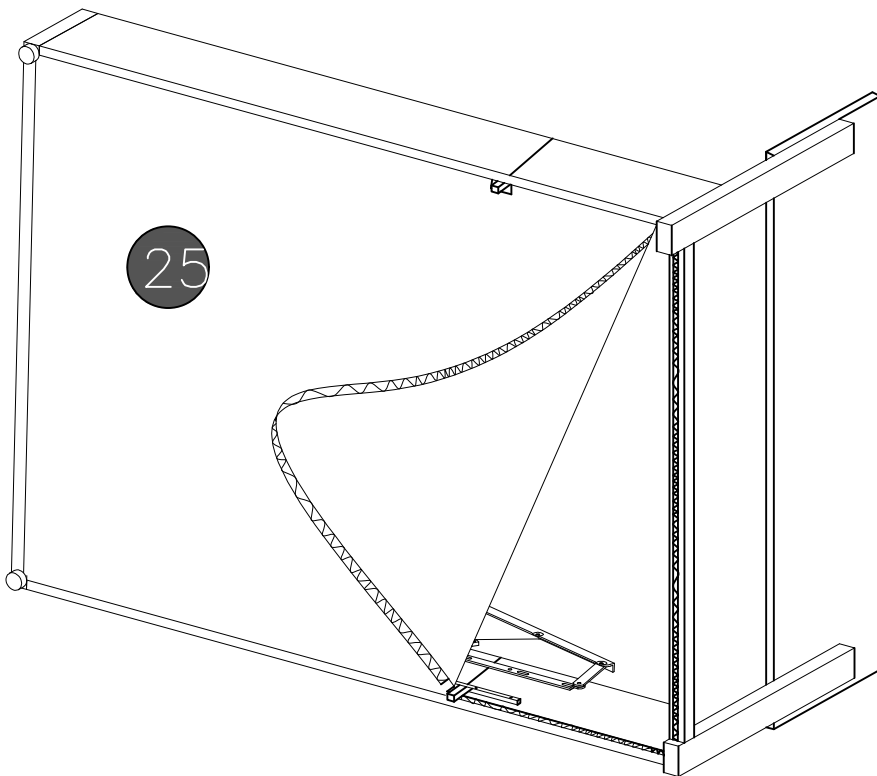
15



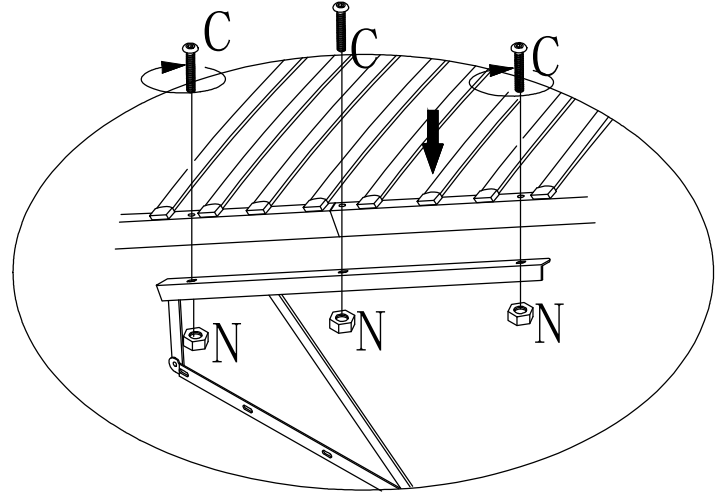
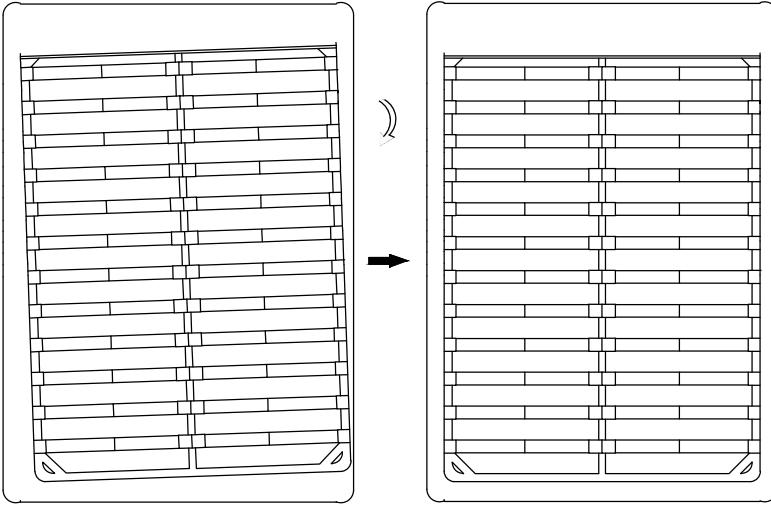
V		1
---	--	---

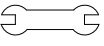
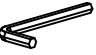
A		8*20	8
---	--	------	---


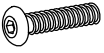
16



17



U		1
V		1

N		M8	6
C		8*40	6

18

