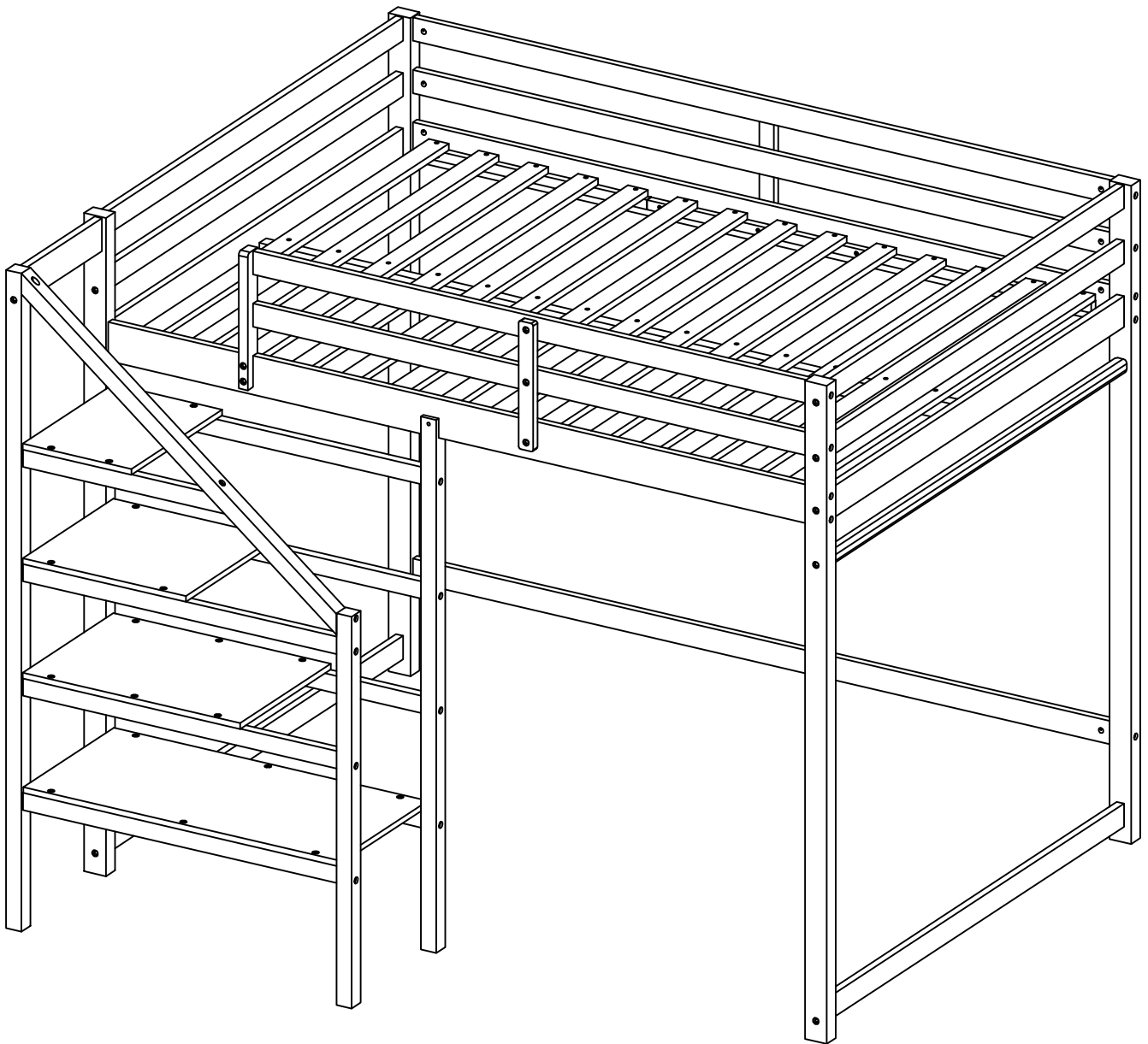


ASSEMBLY INSTRUCTIONS



WF292699/WF292700

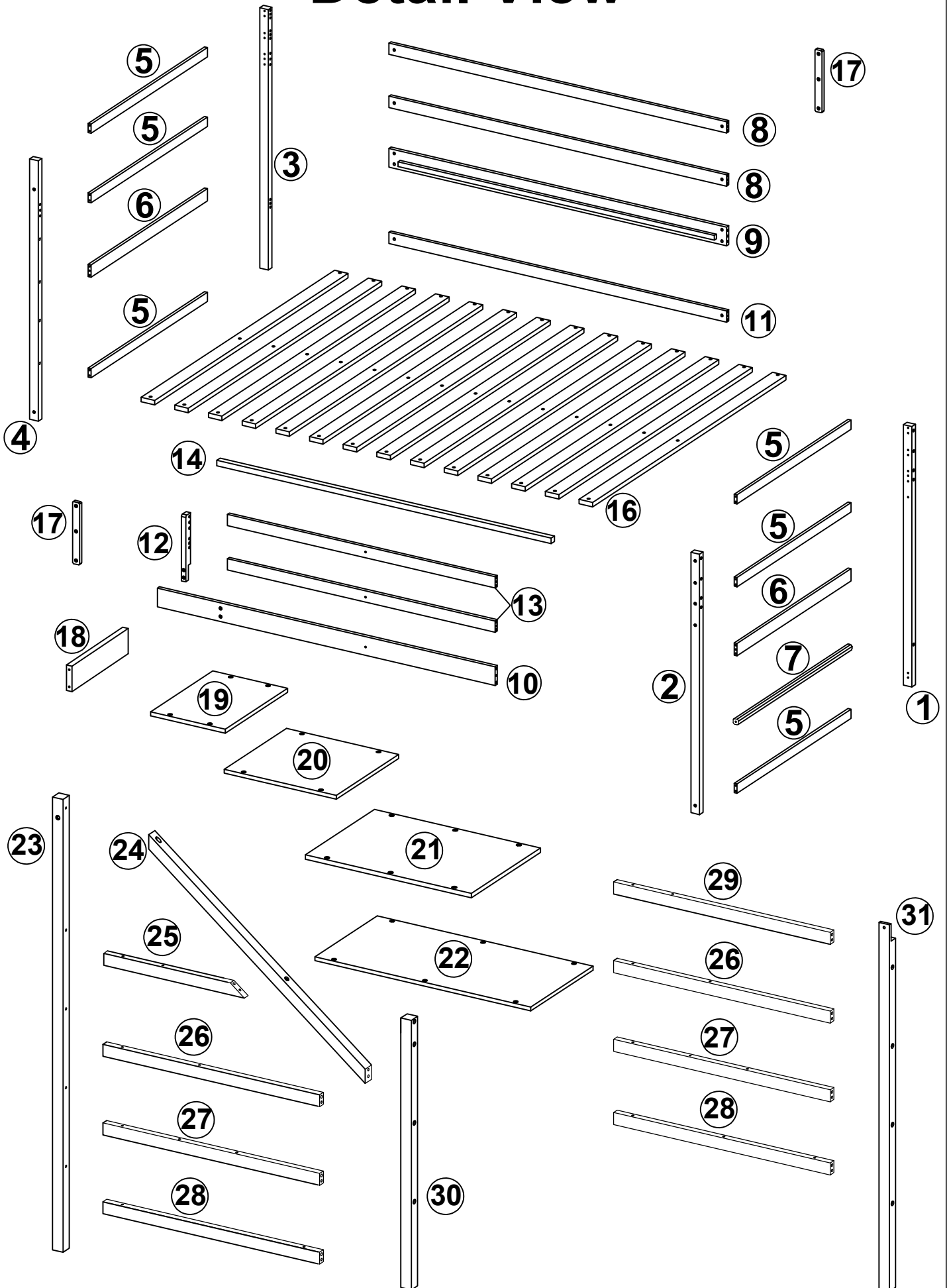
! SAFETY WARNINGS !

- 1. This bed is designed for use only mattress(es) meeting the following specifications on the upper bunk, and lower bunk:**

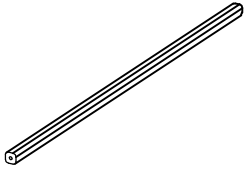



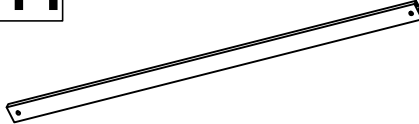

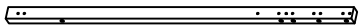
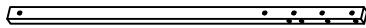
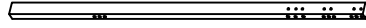


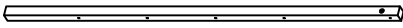
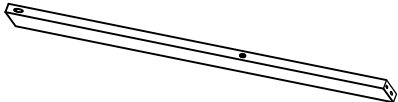
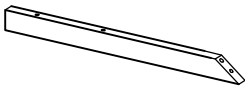
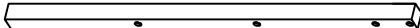
Bed type	Length	Width	Thickness
Full Standard	74" - 75"	53 1/2 "	6"

- 2. Replacement parts, including additional guardrails, may be obtained from any of our (GIGACLOUD TECHNOLOGY (USA) INC. 18961 ARENTH AVENUS CITY OF INDUSTRY , CA , 91748) dealers**
- 3. Follow the information on the warnings appearing on the upper bunk bed end structure and on the carton. Do not remove warning label from bed.**
- 4. Always use the recommended size mattresses or mattress supports, or both, to help prevent the likelihood of entrapment or falls.**
- 5. Surface of the mattress must be at least 5 in. (127 mm) below the upper edge of guardrails.**
- 6. Do not allow children under 6 years of age to use the upper bunk.**
- 7. Periodically check and ensure that the guardrail, ladder, and other components are in their proper position, free from damage, and that all connectors are tight.**
- 8. Do not allow horseplay on or under the bed and prohibit jumping on the bed**
- 9. Always use the ladder for entering and leaving the upper bunk.**
- 10. Do not use substitute parts. Contact the manufacturer or dealer for replacement parts.**
- 11. Use of a night light may provided added safety precaution for a child using the upper bunk.**
- 12. Always use guardrails on both long sides of the upper bunk. If the bunk bed will be placed next to the wall, the guardrail that runs the full length of the bed should be placed against the wall to prevent entrapment between the bed and wall.**
- 13. The use of water or sleep flotation mattresses is prohibited.**
- 14. STRANGULATION HAZARD – Never attach or hang items to any part of the bunk bed that are not designed for use with the bed; for axample, but not limited, hook, belts and jump ropes.**
- 15. Keep these instructions for future reference**
- 16. Prohidit more than one person on upper bunk .**
- 17. We recommend assembling your bunk bed on the shipping carton to protect your floor or carpet .**
- 18. Be caertain all staples are out of the box before beginning assembly on the shipping carton .**


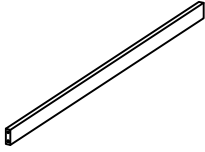
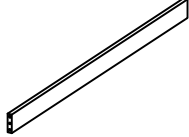

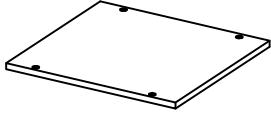
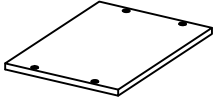
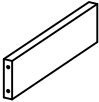
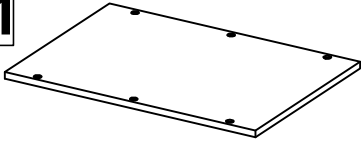
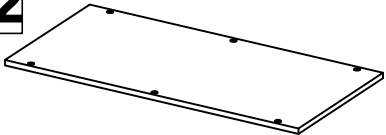
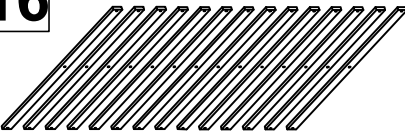
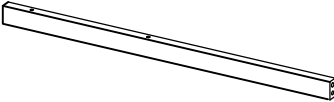
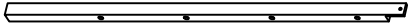
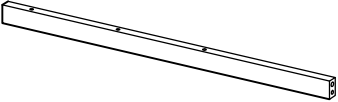
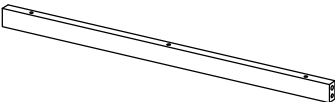
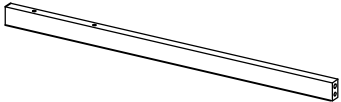
Detail View



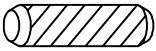

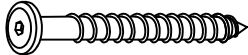
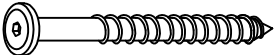




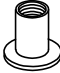

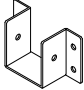
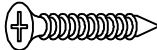
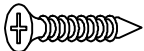


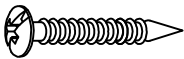
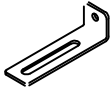
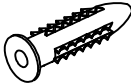

Part List : WF292699

7 	8 	9 
Hanger bar - 1pc	Upper crossbar - 2pcs	Middle crossbar - 1pc
10 	11 	14 
Middle crossbar - 1pc	Lower crossbar - 1pc	Support bar - 1pc
1 	2 	3 
Hind leg (Right) - 1pc	Front leg (Right) - 1pc	Hind leg (Left) - 1pc
4 	13 	23 
Front leg (Left) - 1pc	Bed shoulder - 2pcs	Rear square foot - 1pc
24 	25 	30 
Diagonal bar - 1pc	Slanted beams (Left) - 1pc	Square foot - 1pc

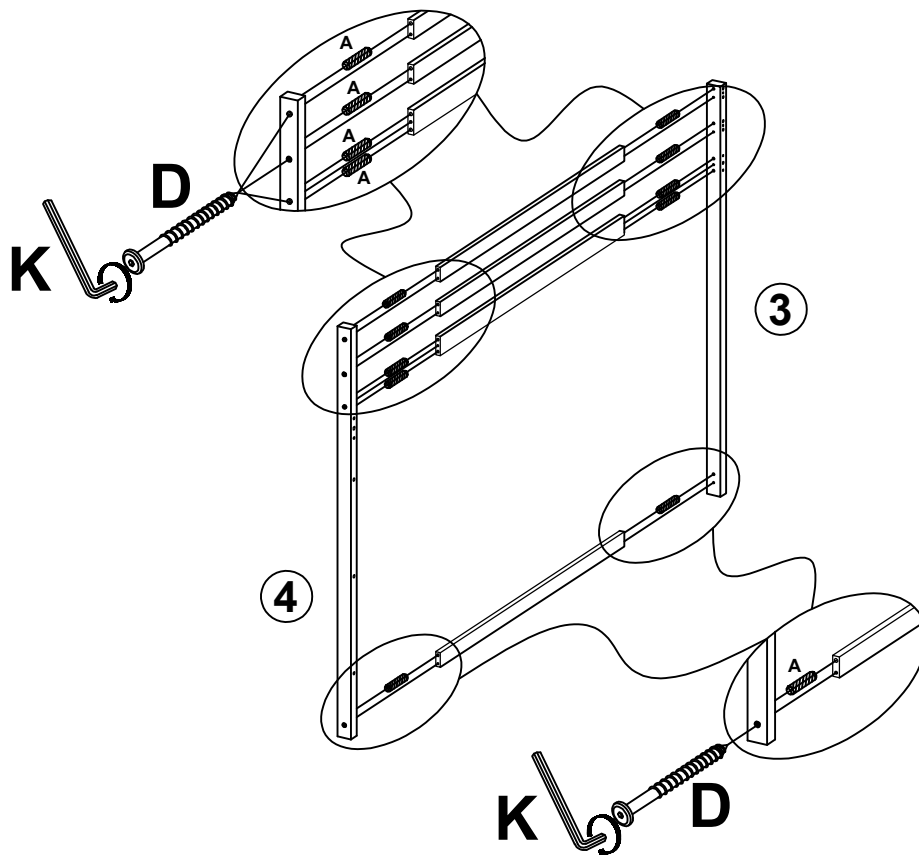
Part List : WF292700

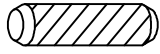

12 	5 	6 
Balustrade paneling - 1pc	Bed shoulder (L/R) - 6pcs	Middle shoulder bed (L/R) - 2pcs
17 	20 	19 
Crossbar brace - 2pcs	Middle panel - 1pc	Top panel - 1pc
18 	21 	22 
Crossbar - 1pc	Middle panel - 1pc	Bottom panel - 1pc
16 	26 	31 
Slats - 14pcs	Crossbar (L/R) - 2pcs	Square foot - 1pc
27 	28 	29 
Crossbar (L/R) - 2pcs	Crossbar (L/R) - 2pcs	Crossbar (Right) - 1pc

Hardware Lists : WF292699

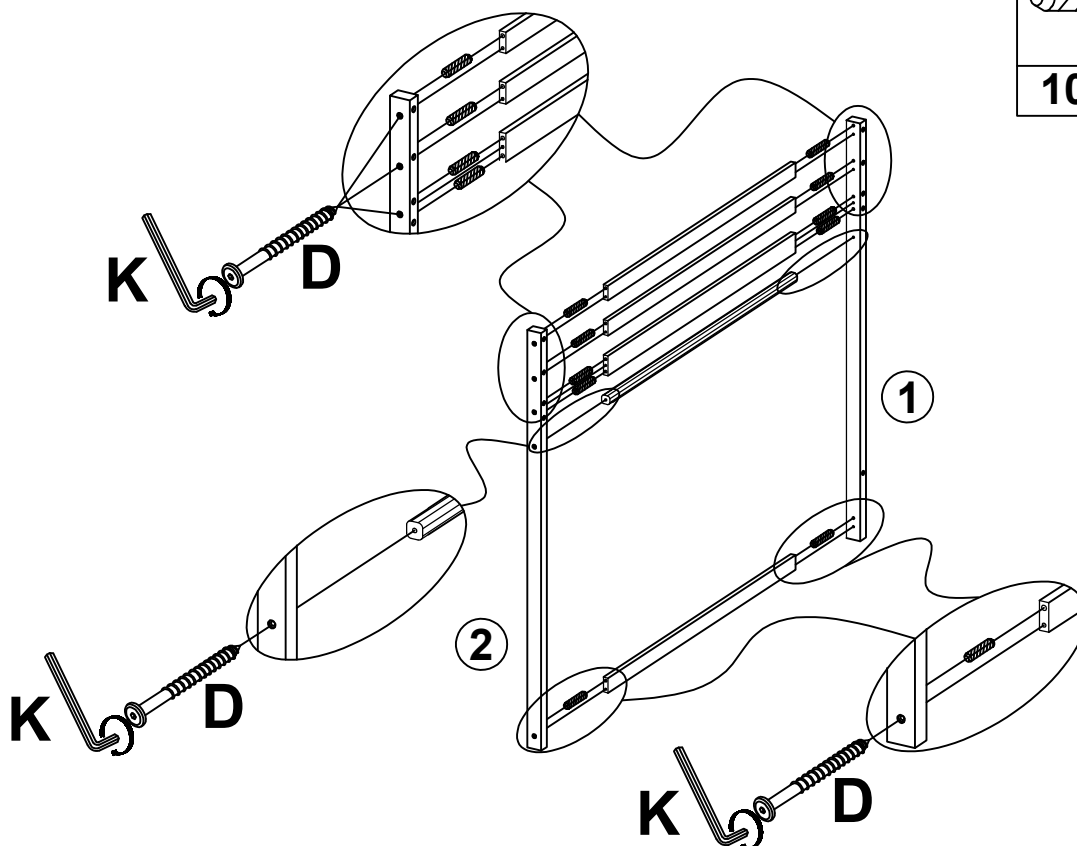
A  Ø10*30mm	B  Ø6*100mm	C  Ø6*50mm
Wood dowel (54pcs)	Hex-Head screw (4pcs)	Hex-Head screw (22pcs)
D  Ø6*80mm	E  Ø6*30mm	F  Ø1/4"*100mm
Hex-Head screw (33pcs)	Hex-Head screw (7pcs)	Hex-Head bolt (16pcs)
G  Ø1/4"*12*15mm	H  Ø1/4"*30mm	J  Ø1/4"
Horizontal-Hole bolt (18pcs)	Hex-Head bolt (1pc)	Nut (2pcs)
K  K4mm	L  75*40*25mm	M  #4*30mm
Allen key (1pc)	U bracket (2pcs)	Screw (42pcs)
N  #4*15mm	T  Ø1/4"*65mm	S  Ø1/4"*50mm
Screw (12pcs)	Hex-Head bolt (2pcs)	Hex-Head bolt (1pc)
P  #4*38mm	Q  58*16*16 (1.5mm)	W  Ø9*32mm
Umbrella Head Screw (4pcs)	Metal bracker (4pcs)	Plastic anchor (4pcs)
Z  #4*25mm Umbrella Head Screw (8pcs)		

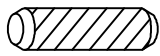

Step 1:



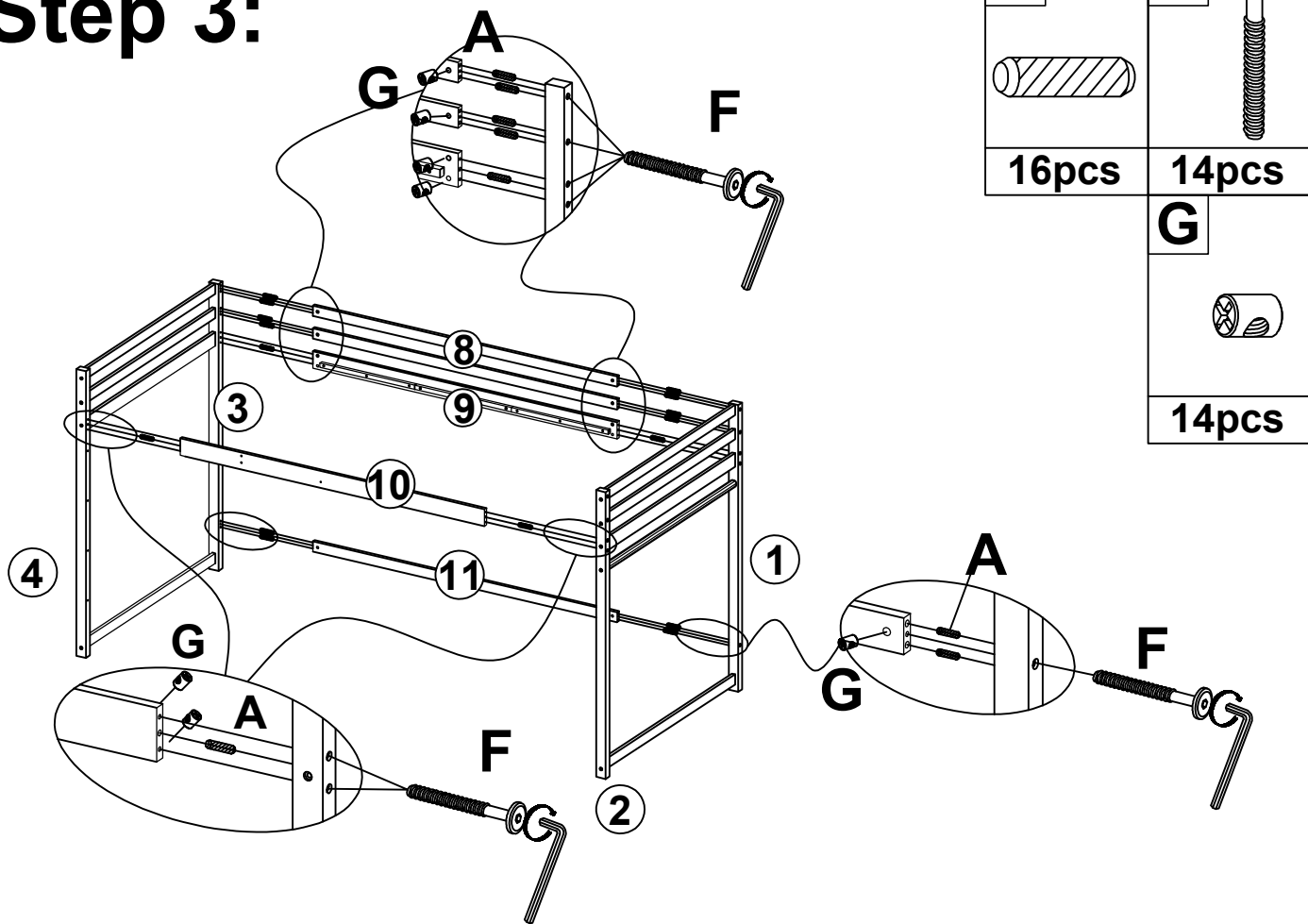
A	D
	
10pcs	8pcs

Step 2:



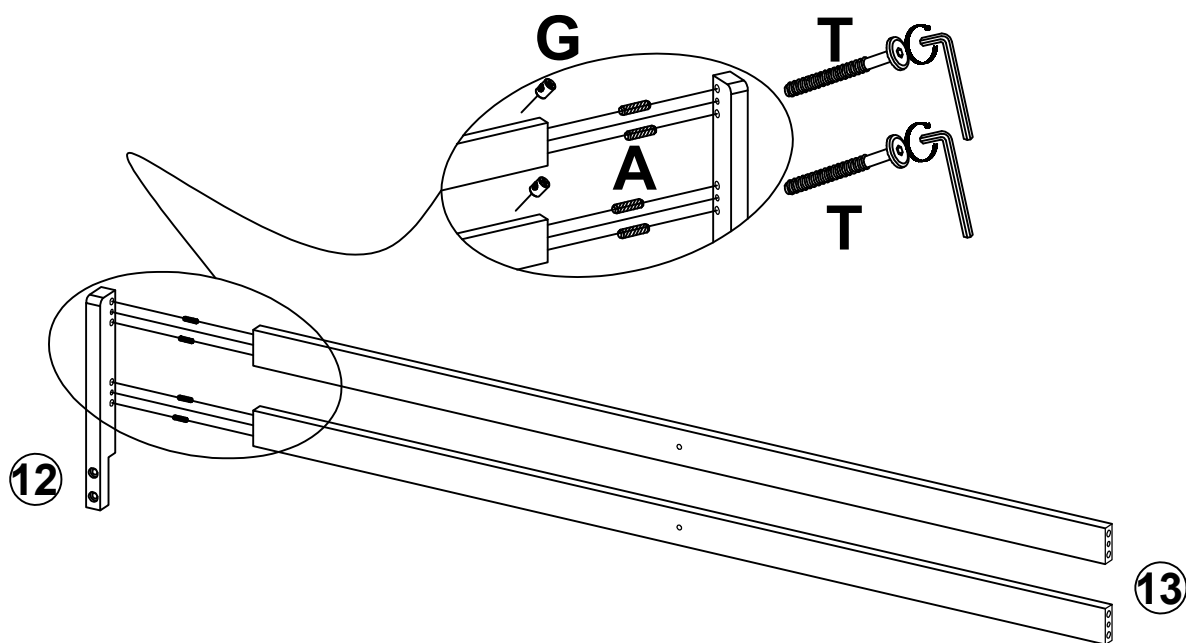
A	D
	
10pcs	10pcs

Step 3:



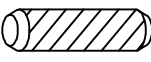



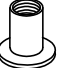
A	F
16pcs	14pcs
	G
	14pcs

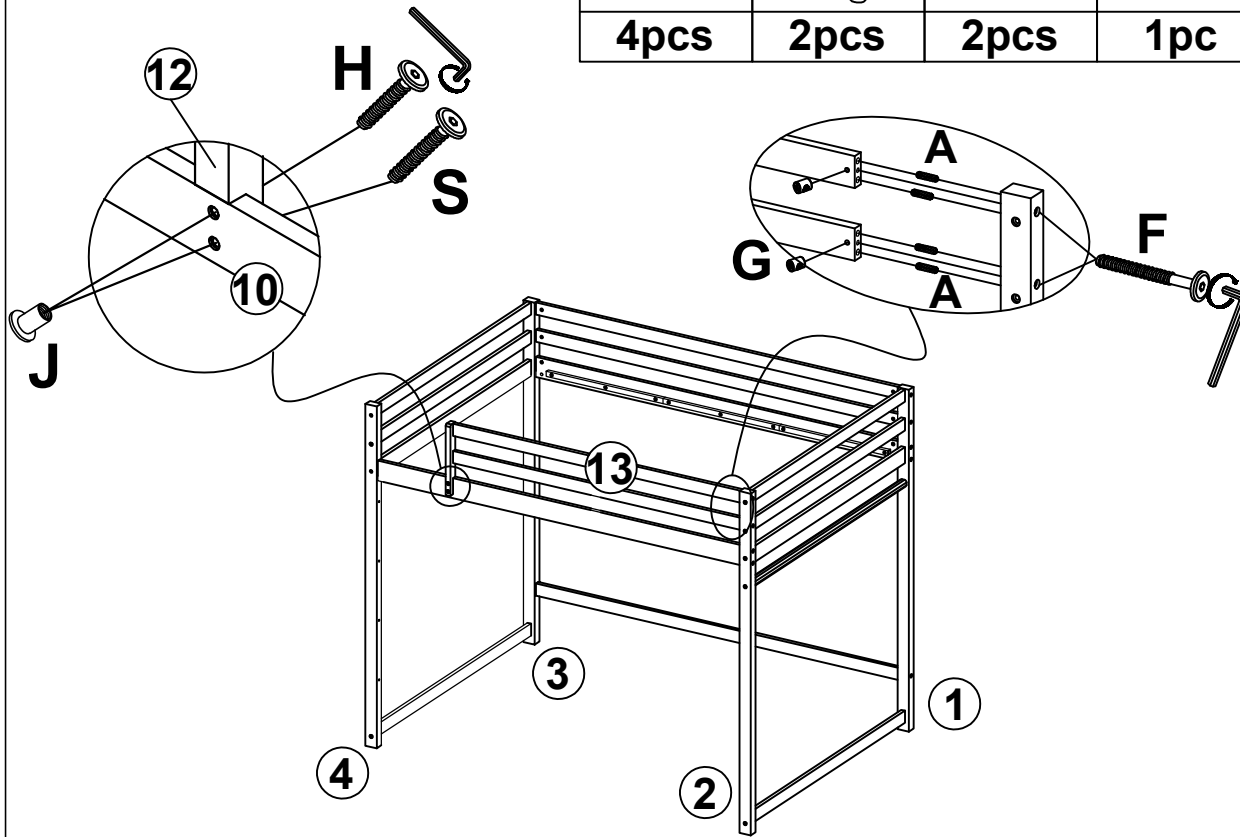
Step 4:




A	T
4pcs	2pcs
	G
	2pcs


Step 5:

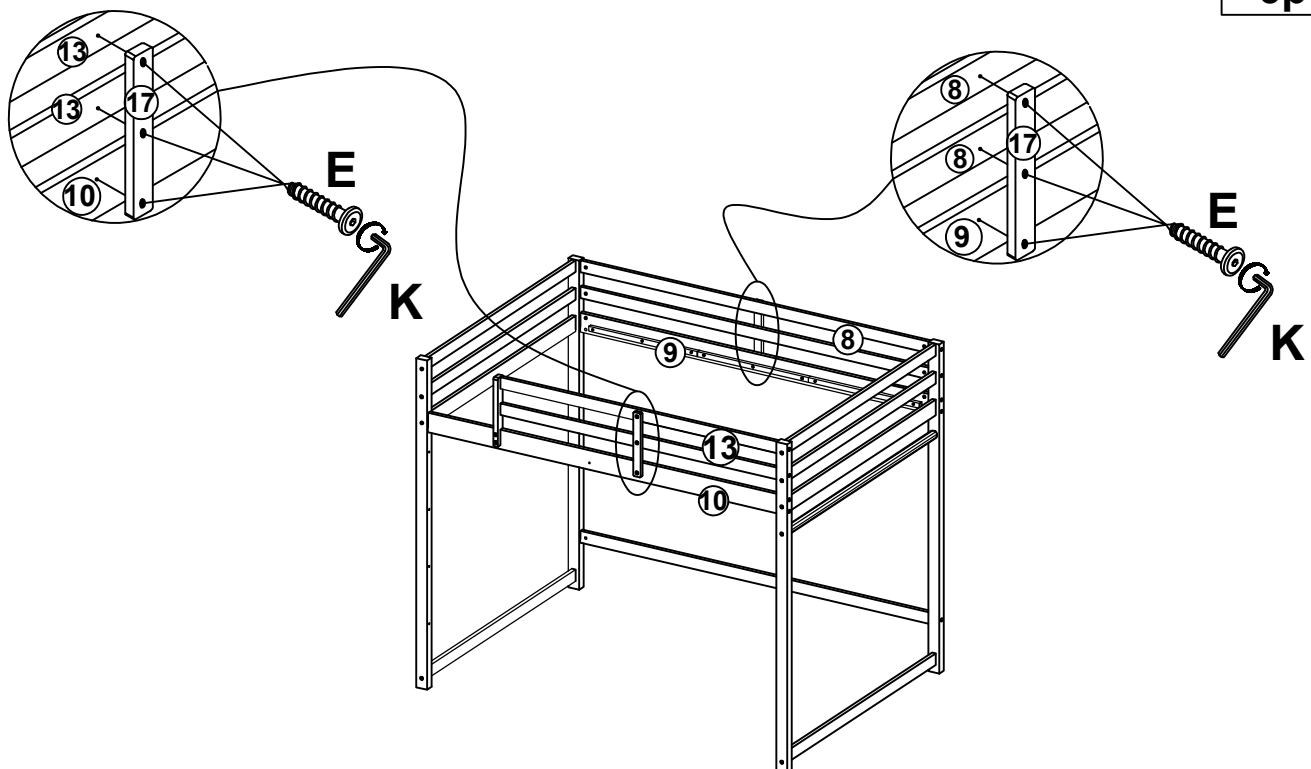
A	F	G	H	J
				
4pcs	2pcs	2pcs	1pc	2pcs



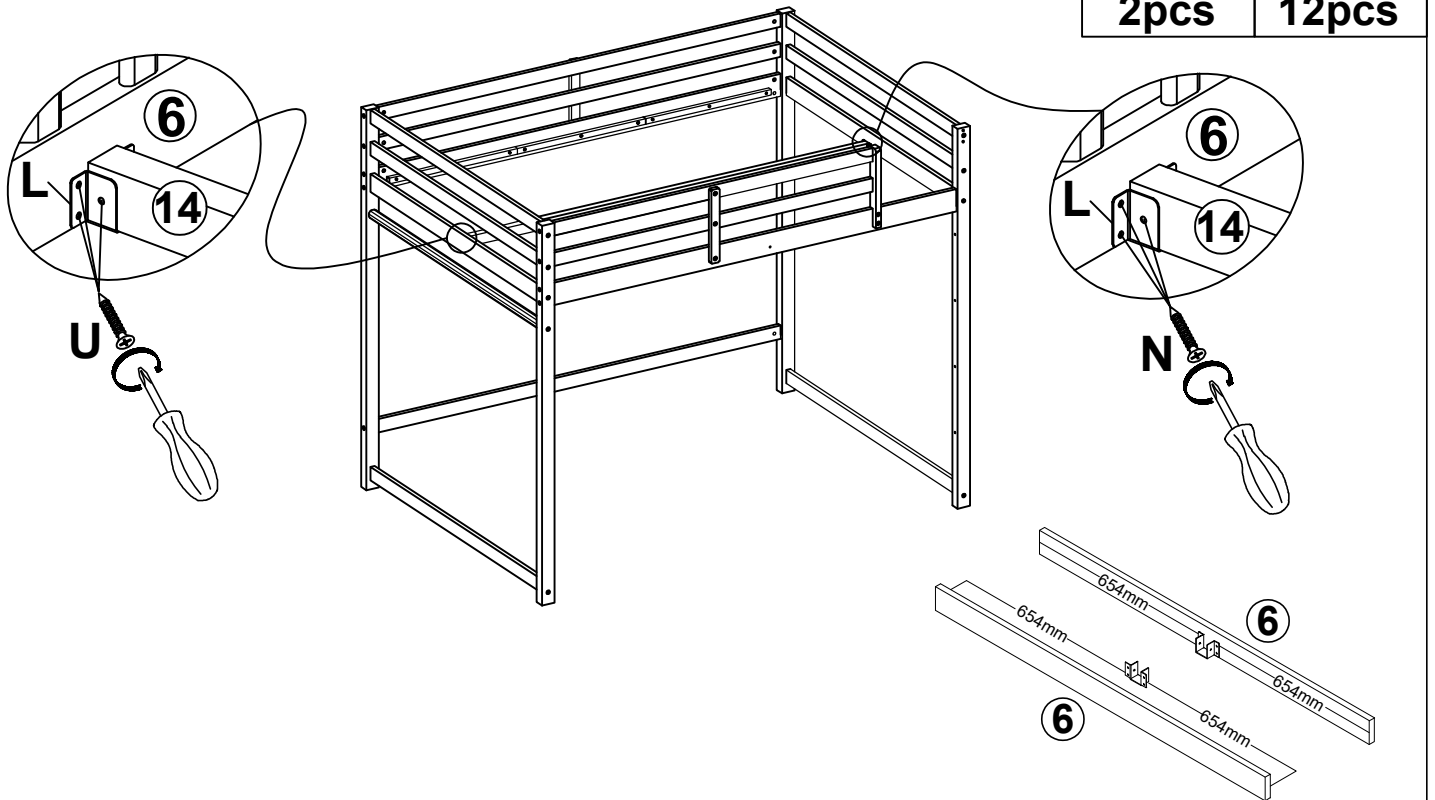
S

1pc

Step 6:

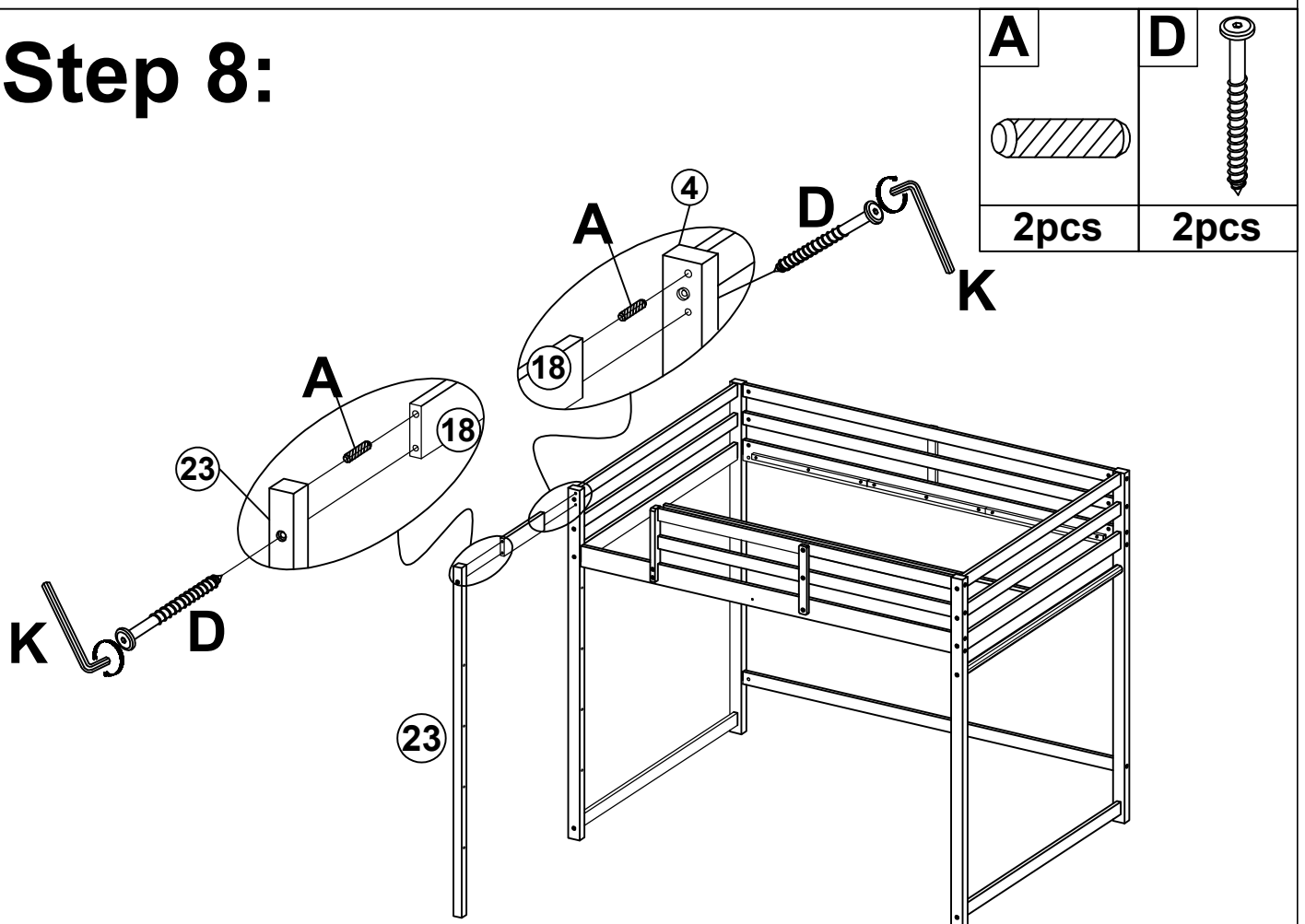
E

6pcs



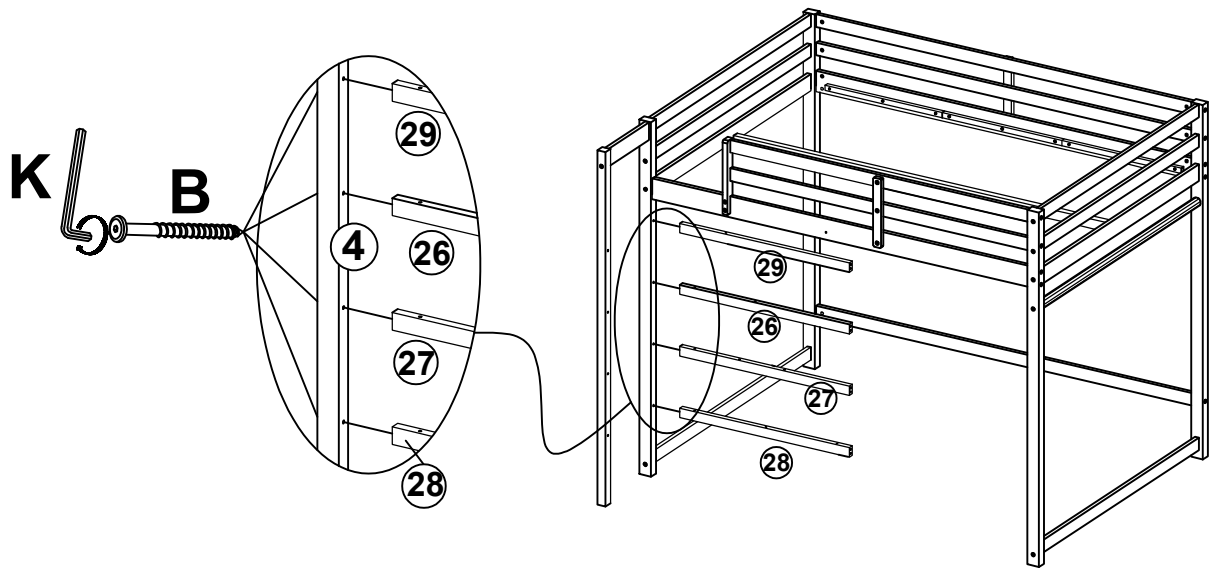
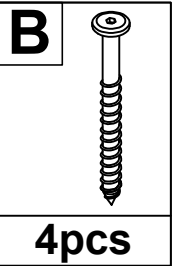
Step 7:



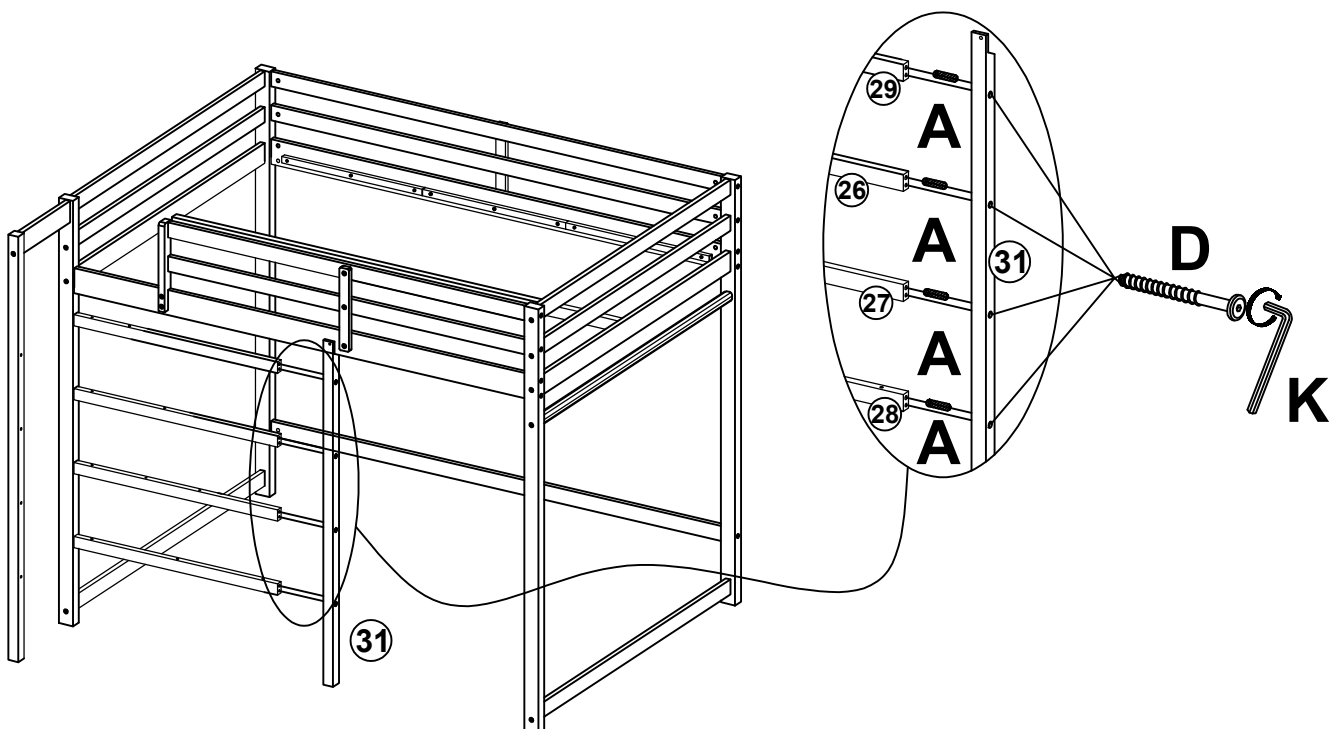
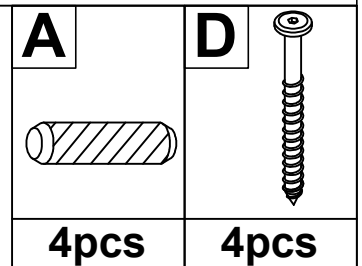
Step 8:



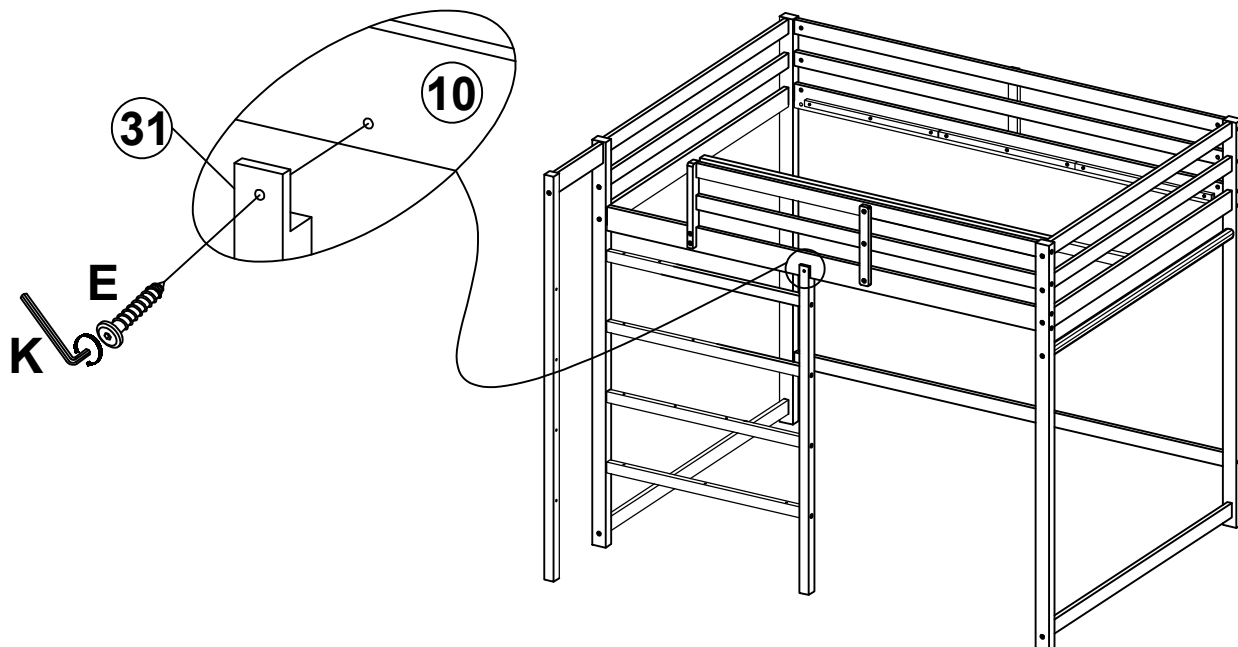
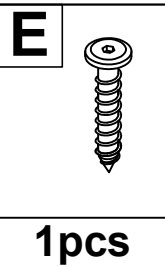
Step 9:



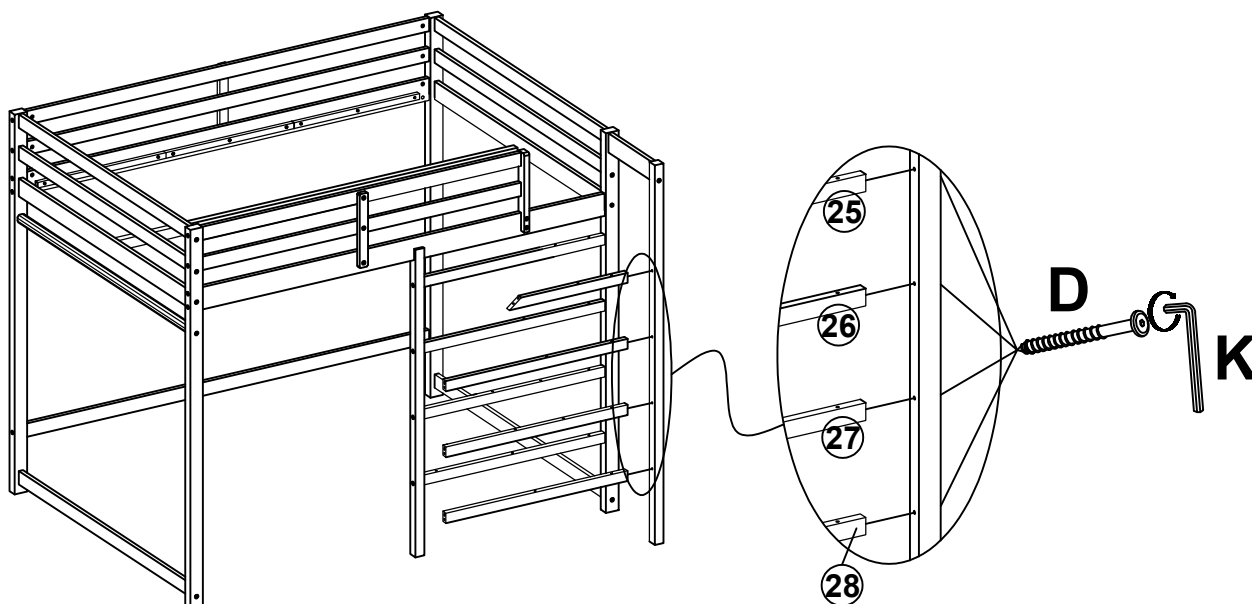
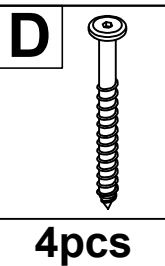
Step 10:



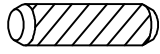

Step 11:

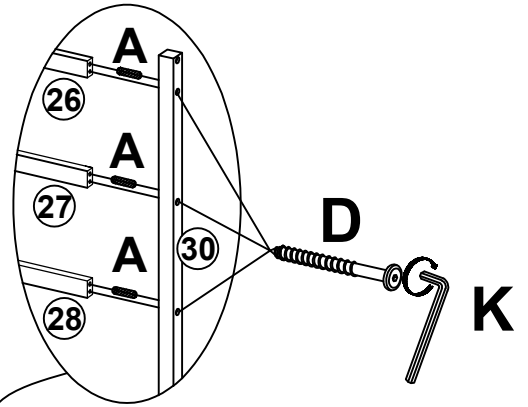
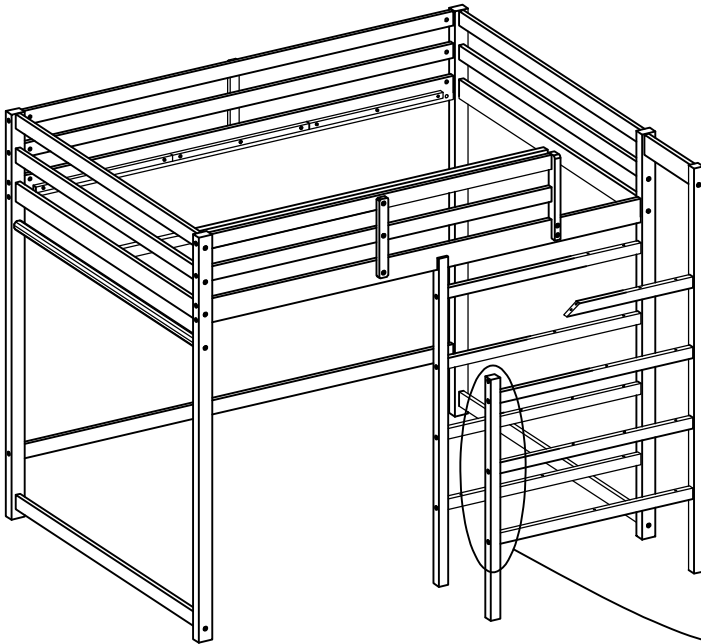


Step 12:



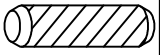


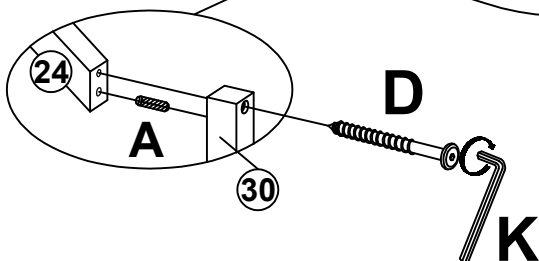
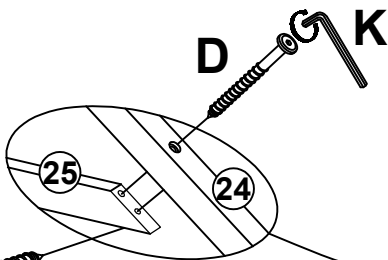
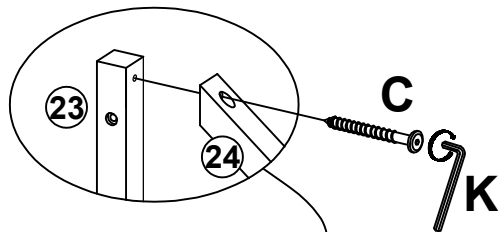
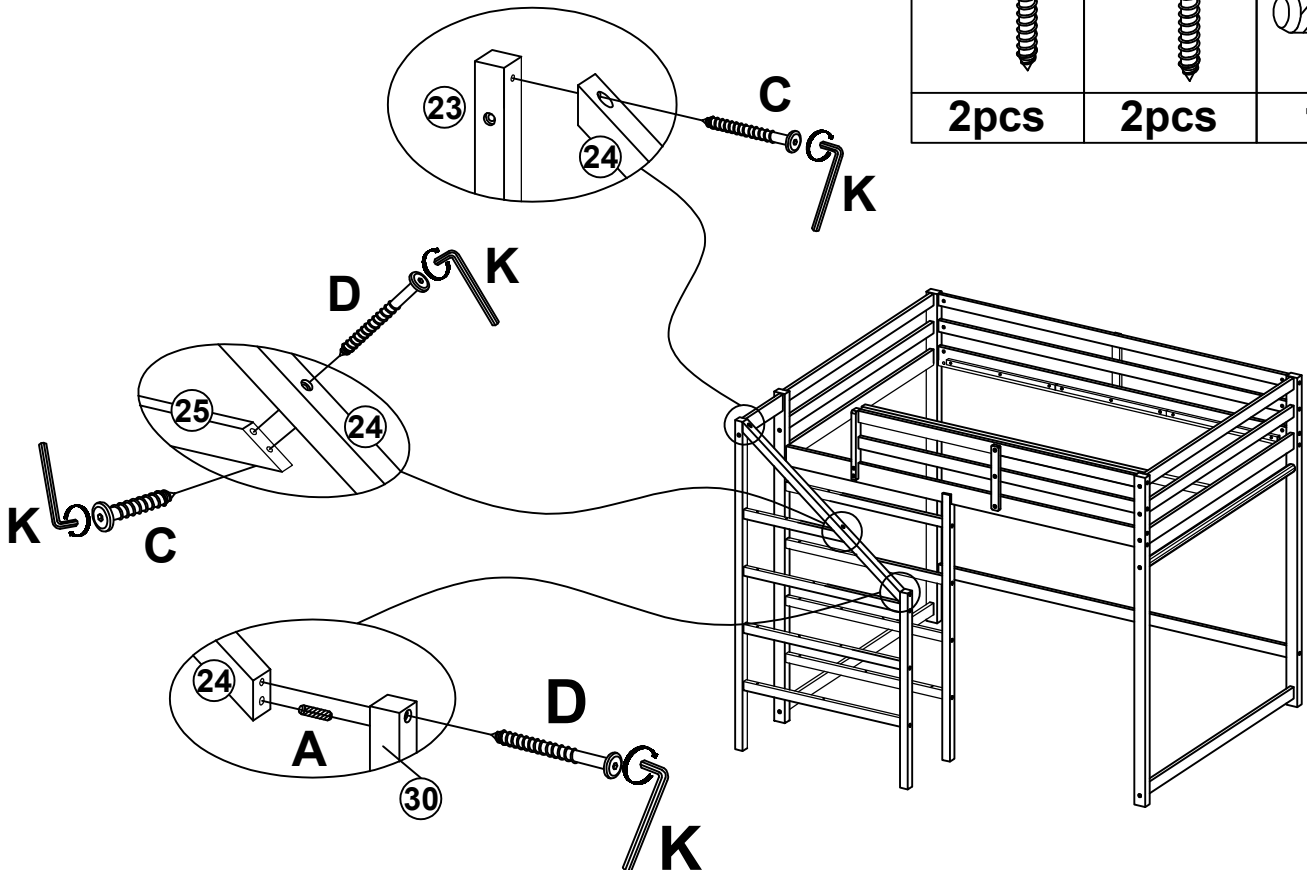
Step 13:

A	D
	
3pcs	3pcs




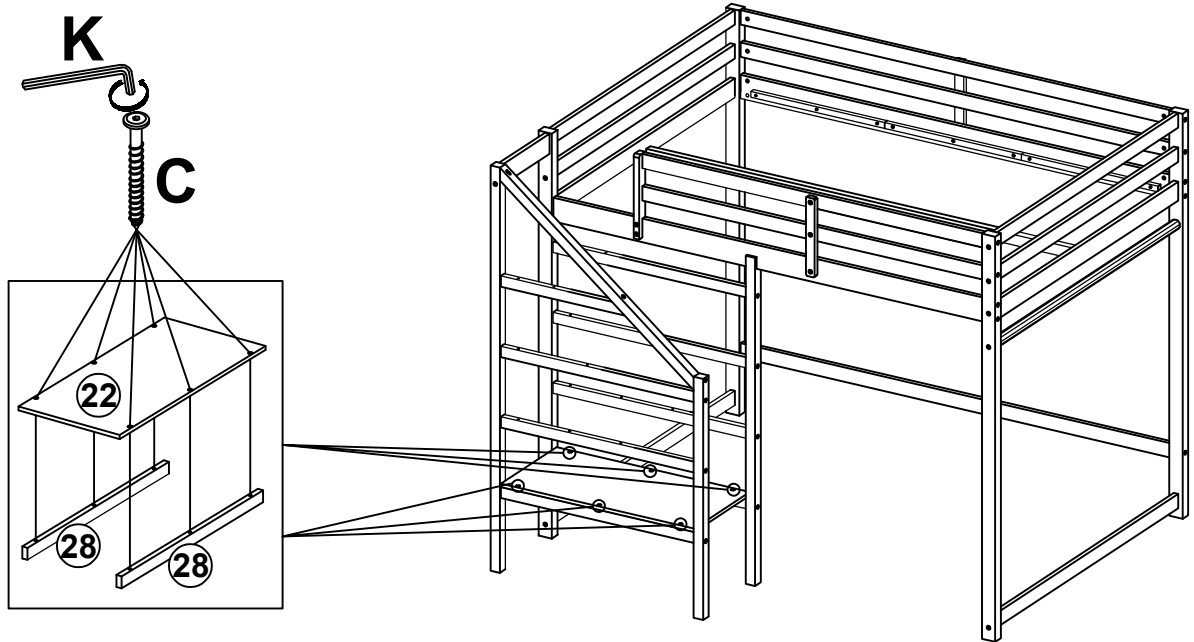
Step 14:

C	D	A
		
2pcs	2pcs	1pc




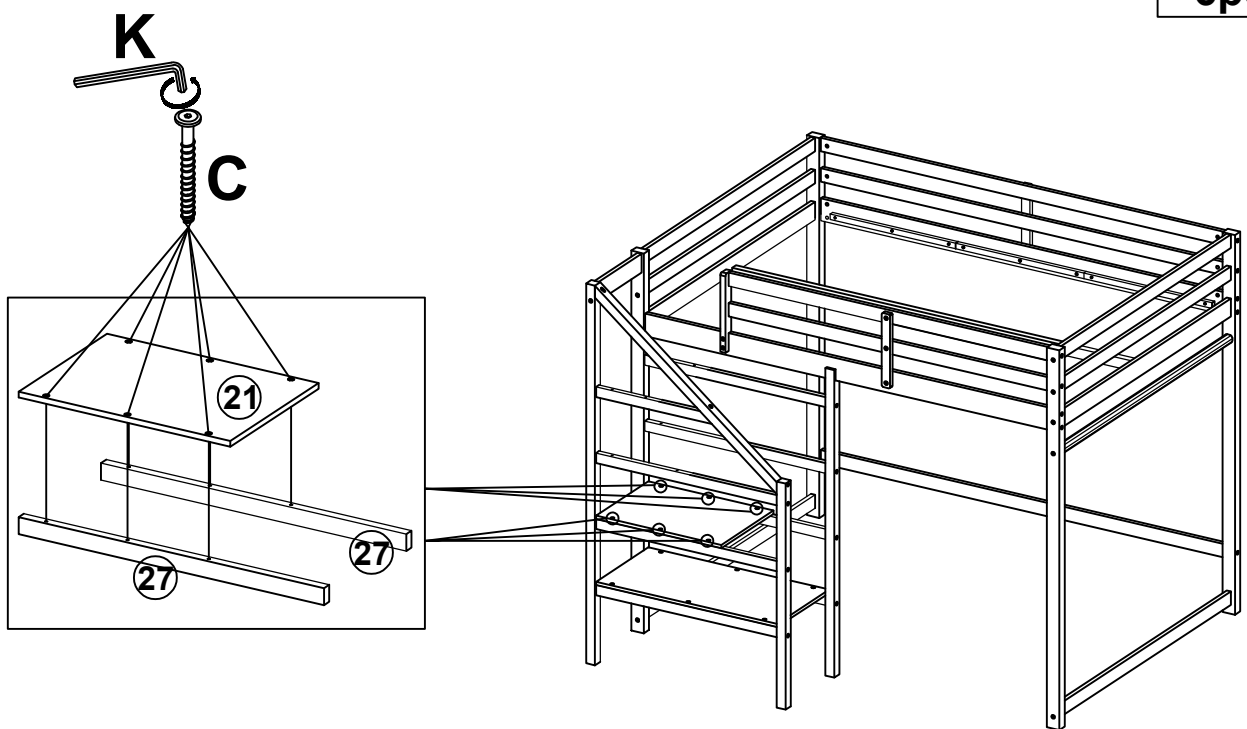
Step 15:

C

6pcs

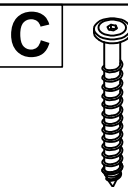


Step 16:

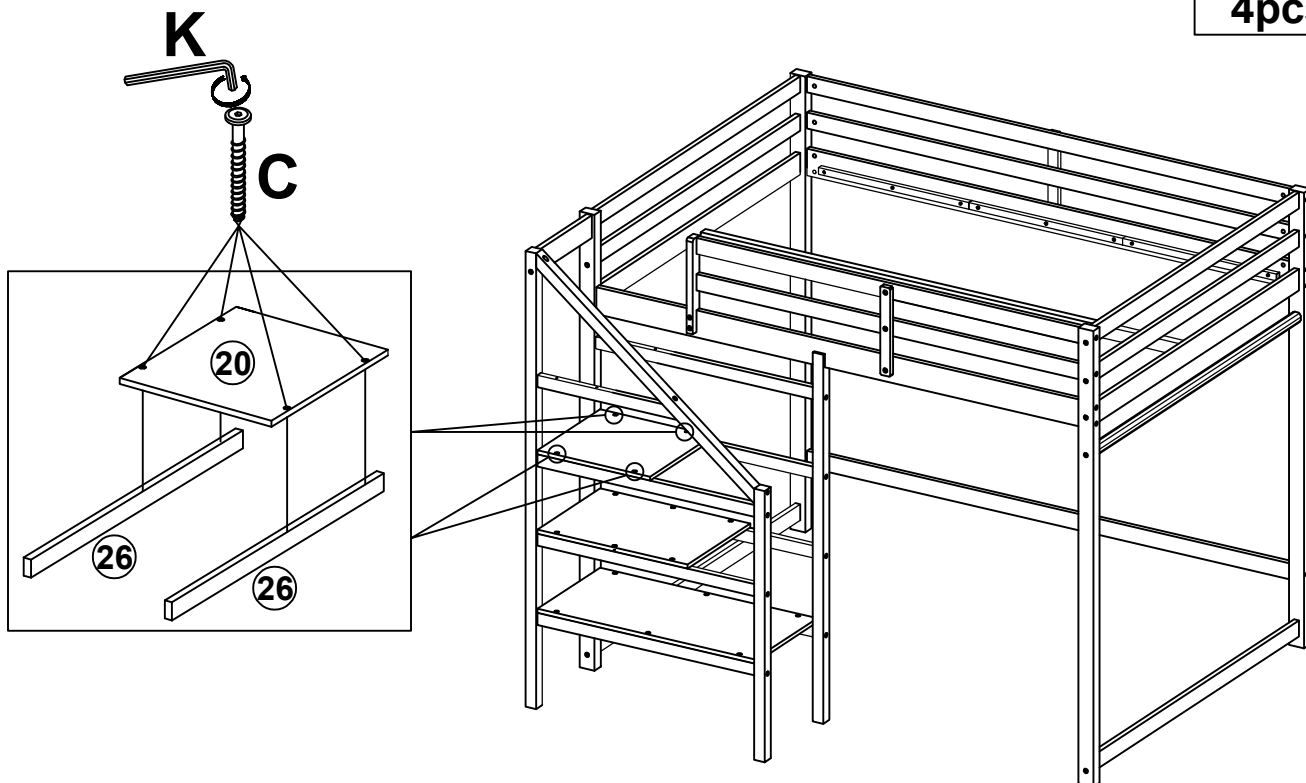
C

6pcs



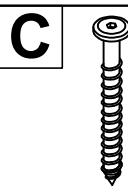
Step 17:



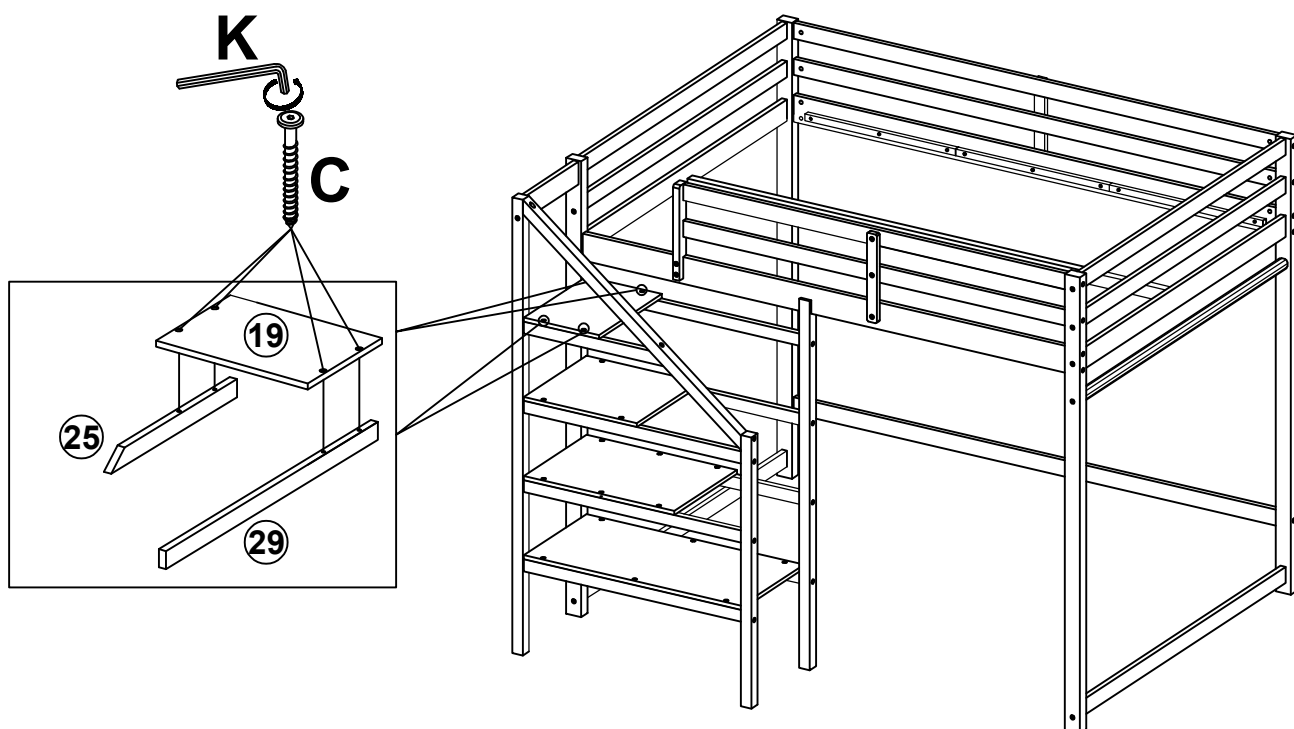
4pcs



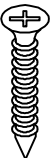
Step 18:



4pcs

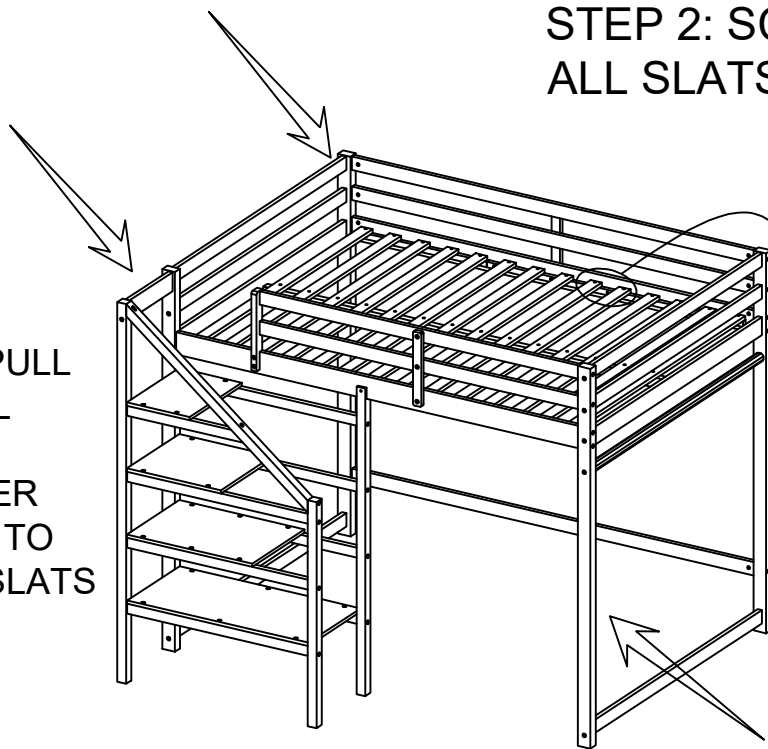


Step 19:

M	
42pcs	

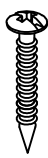
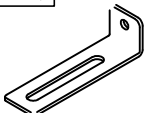
STEP 2: SCREW
ALL SLATS

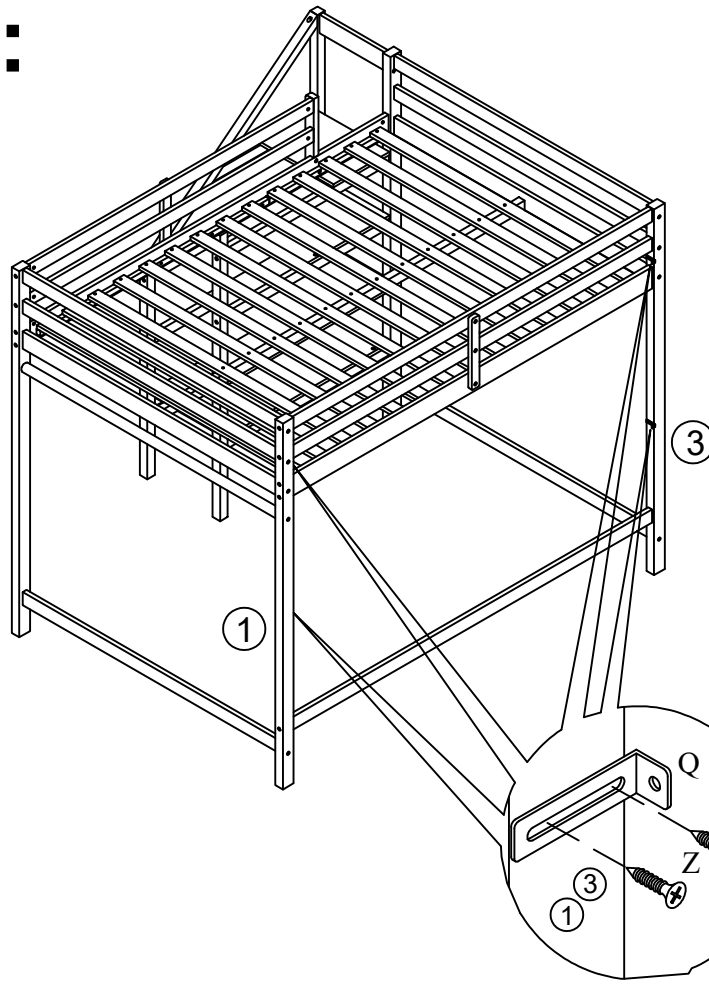
STEP 1: PULL
SIDE RAIL
CLOSE
TOGETHER
ENOUGH TO
FIT THE SLATS



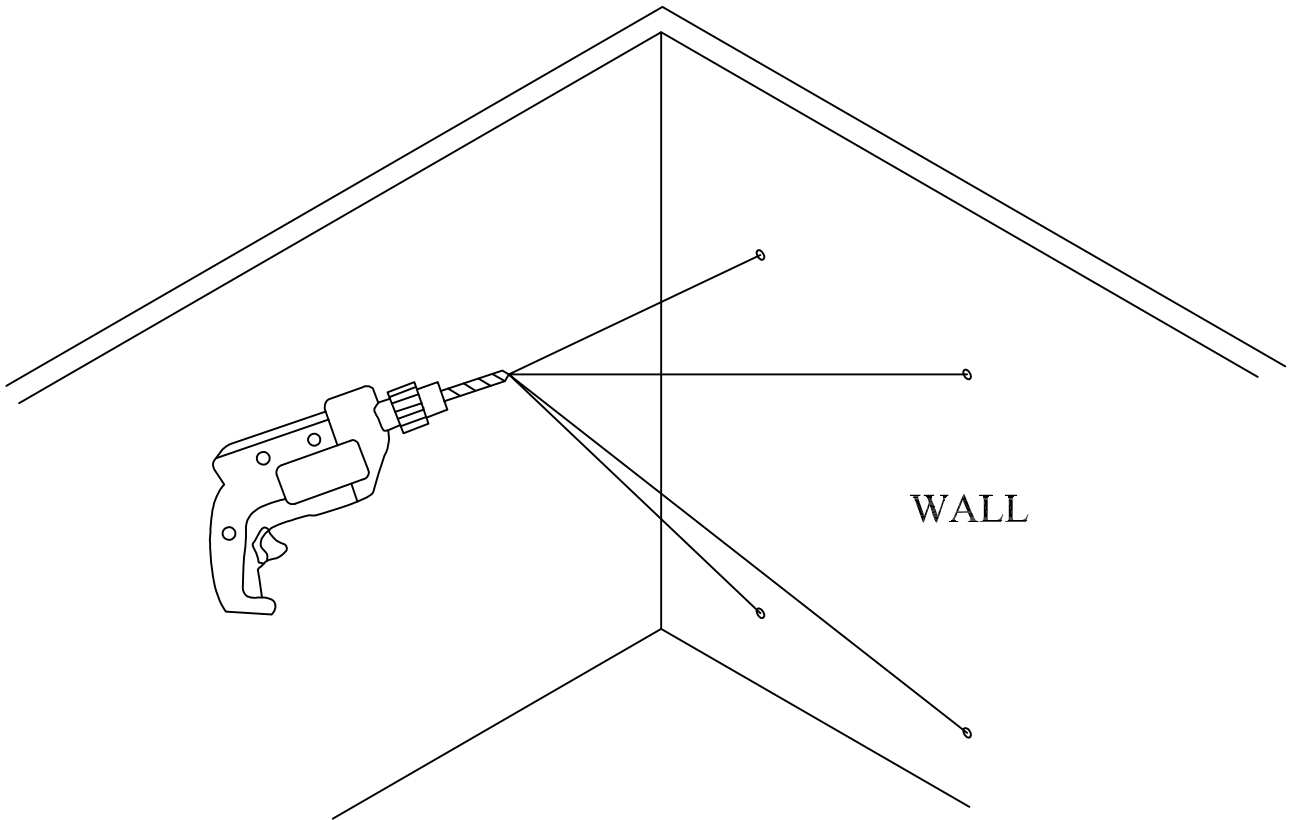
STEP 3: TIGHTEN
100% ALL
HEXAGON BOLTS

Step 20:

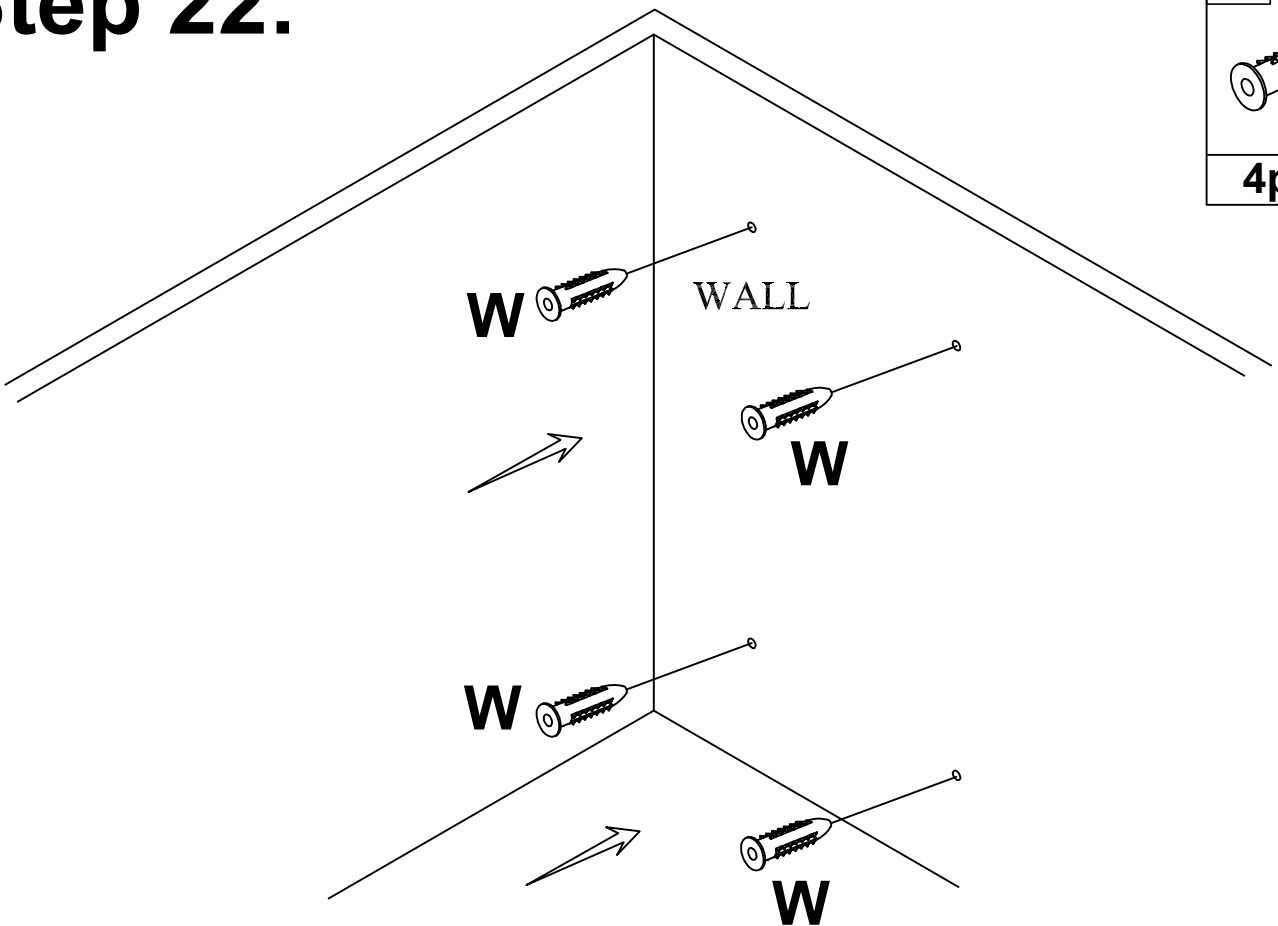
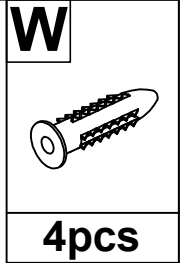
Z		Q	
8pcs		4pcs	



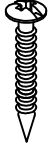
Step 21:

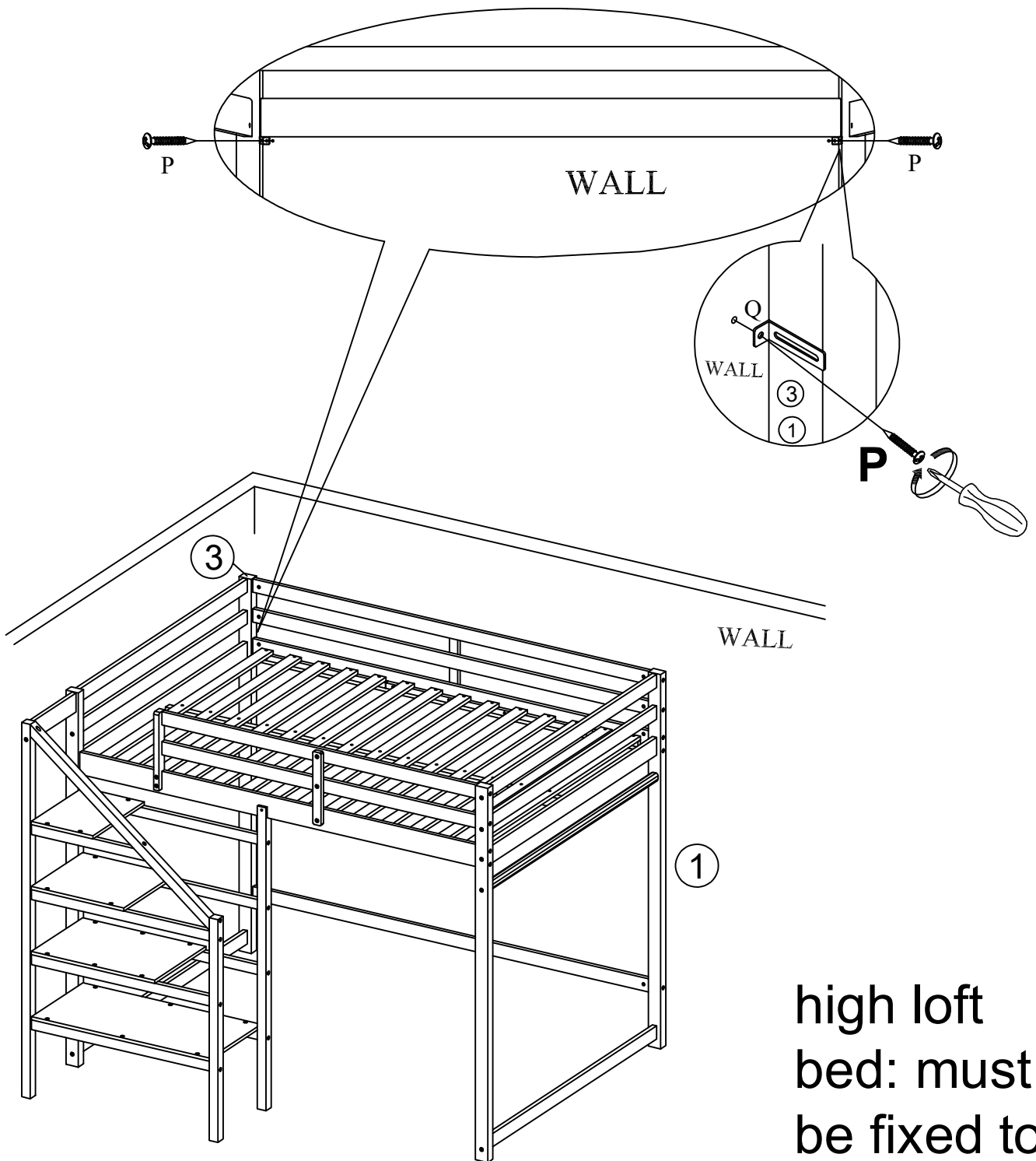


Step 22:



Step 23:

P	
4pcs	



high loft
bed: must
be fixed to
the wall

COMPLETED

