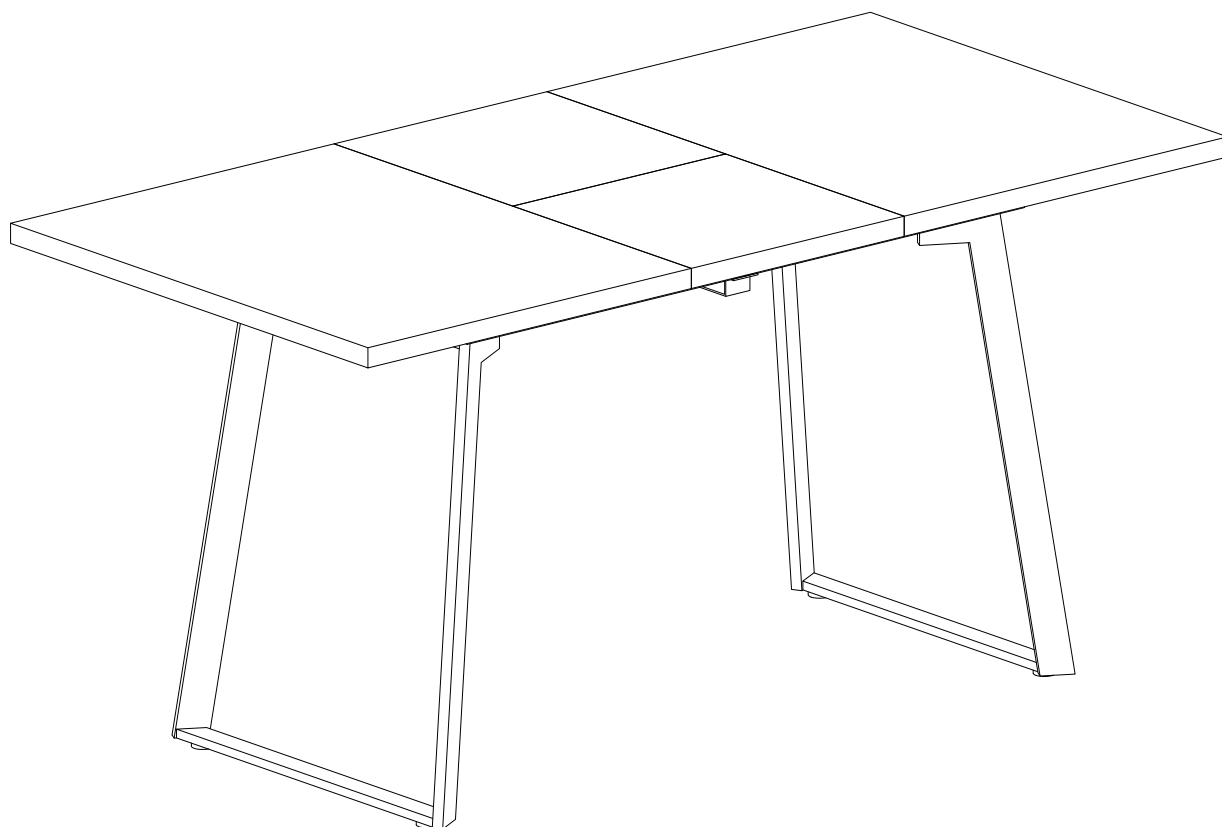
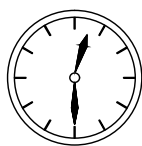
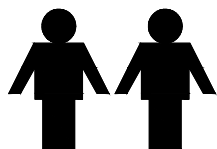
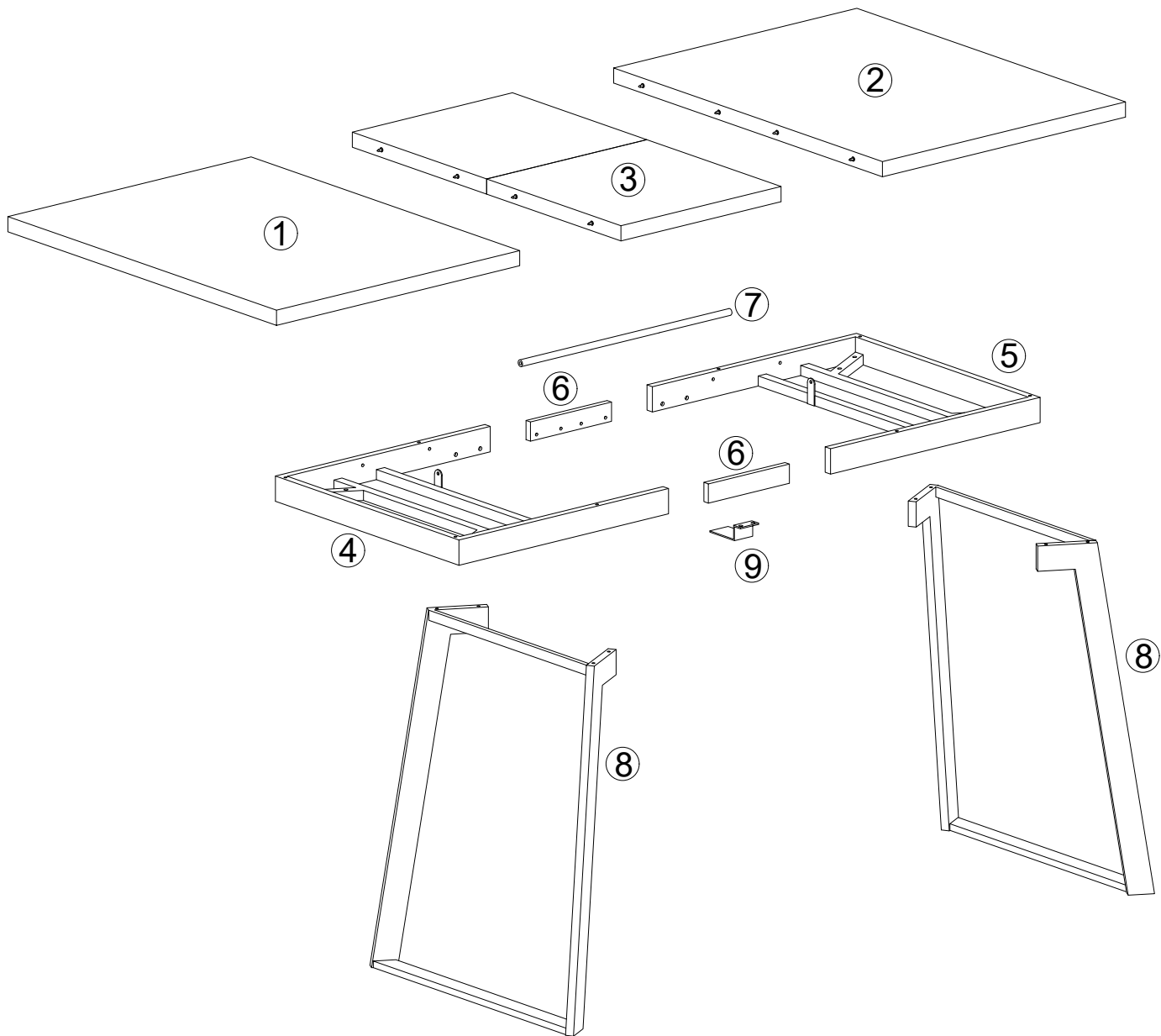


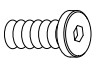
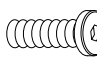
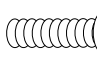

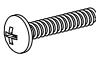
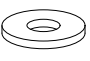


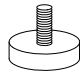
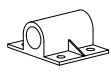
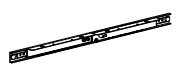
GCDT25018

ASSEMBLY INSTRUCTION

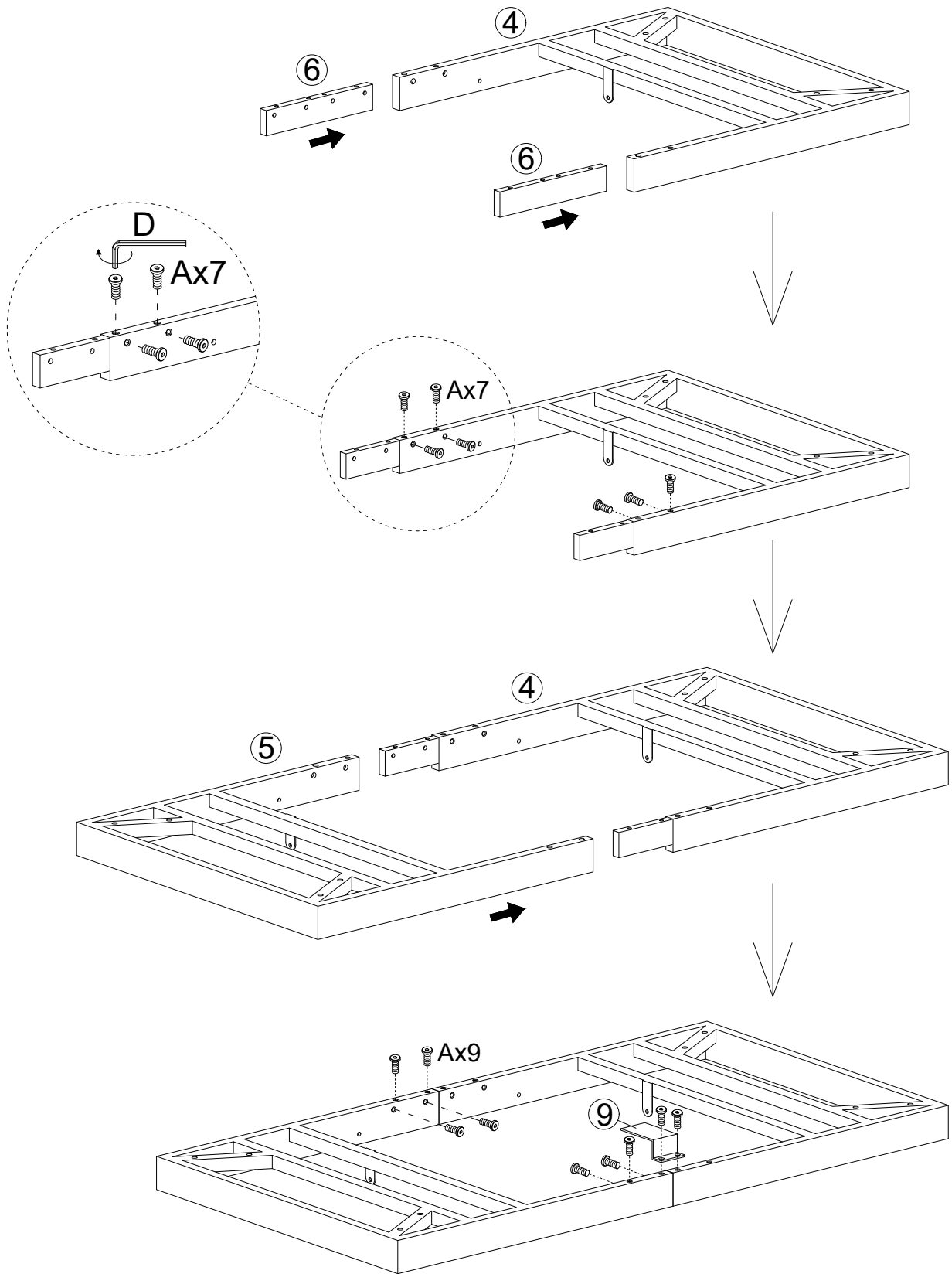




Notes: Don't fully tighten screws until all parts are confirmed in place to avoid misalignment.



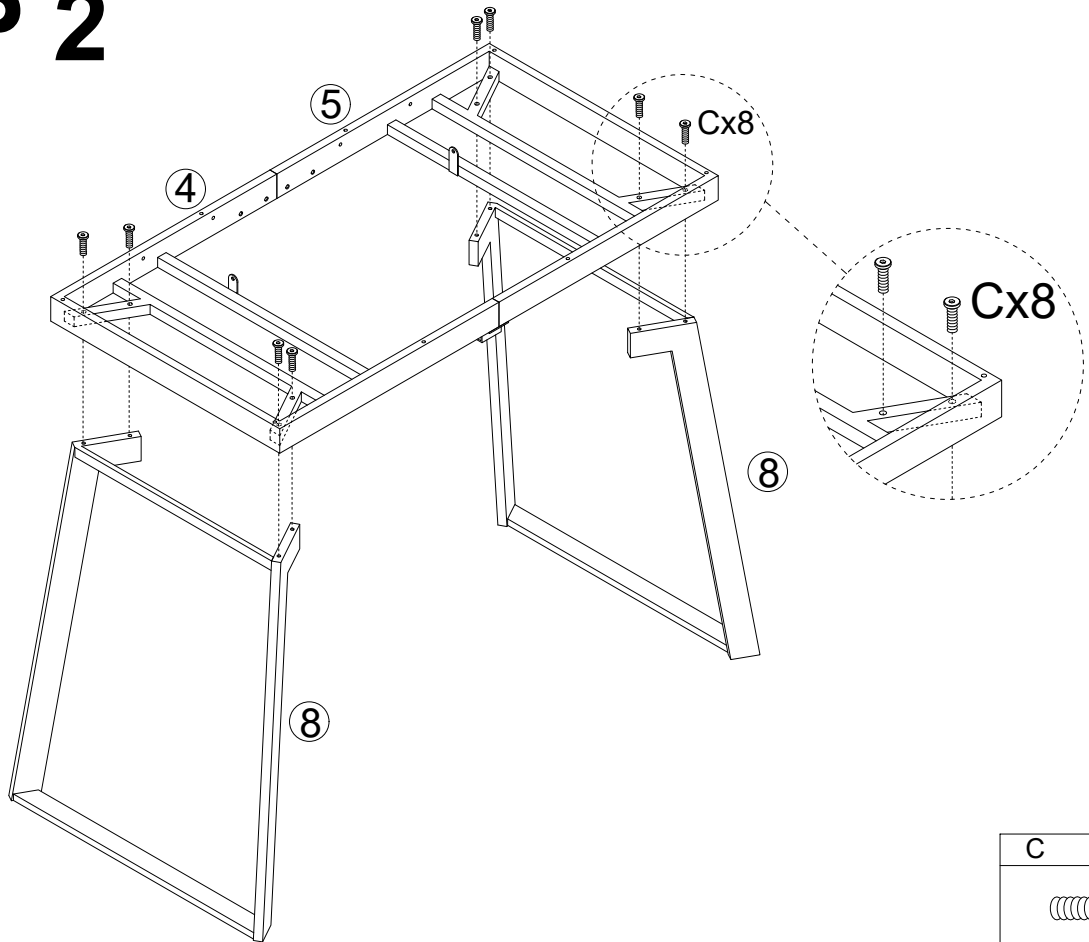
A	X18	B	X10	C	X8	D	X1	E	X8	F	X8
											
M6X12mm		M6X20mm		M6X30mm		M4X55mm		M4X12mm		Ø18X2mm	
G	X8	H	X8	I	X4	J	X2	K	X2		
											
Ø3.5X14mm		M6XØ15mm		M6XØ30mm		50X40X22mm		L690mm			


STEP 1



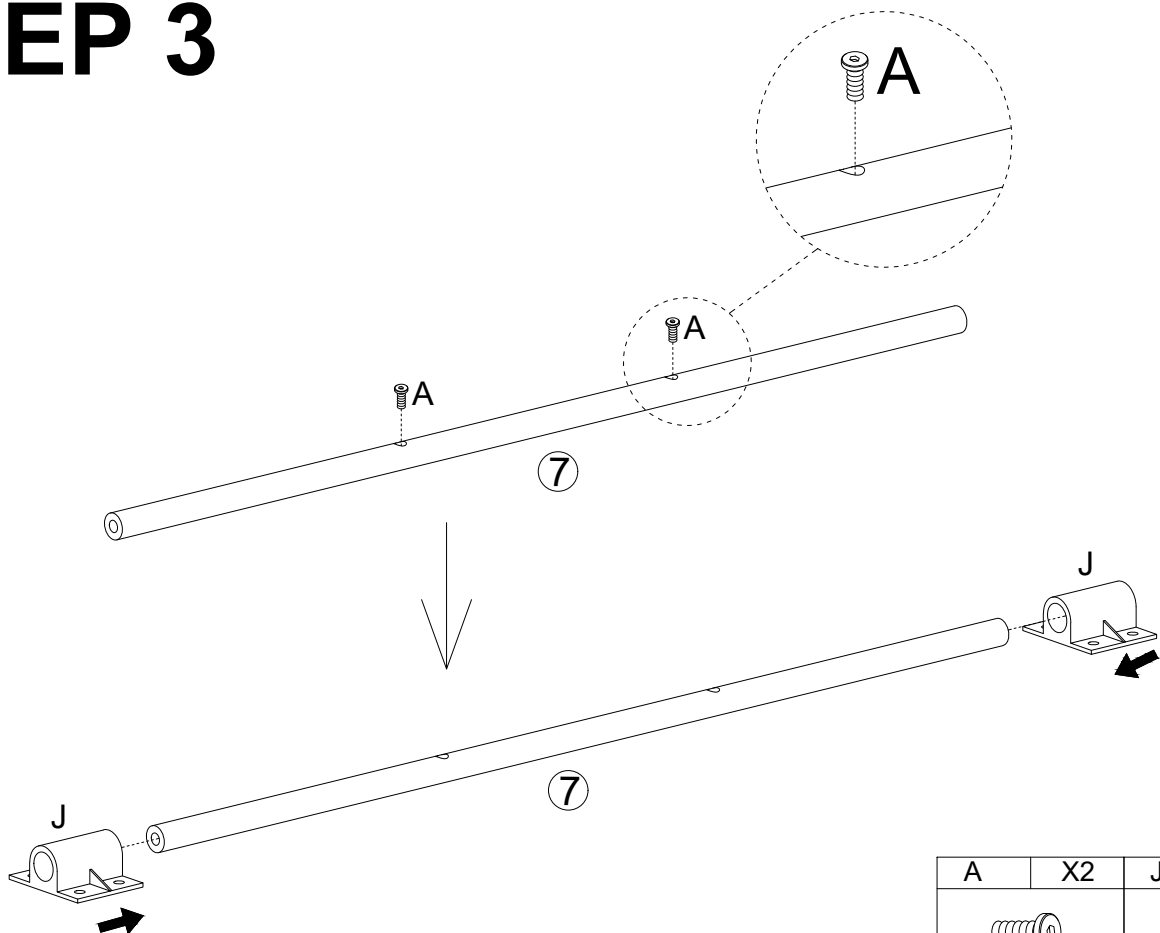
A	X16	D	X1
			
M6X12mm		M4X55mm	


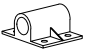
STEP 2



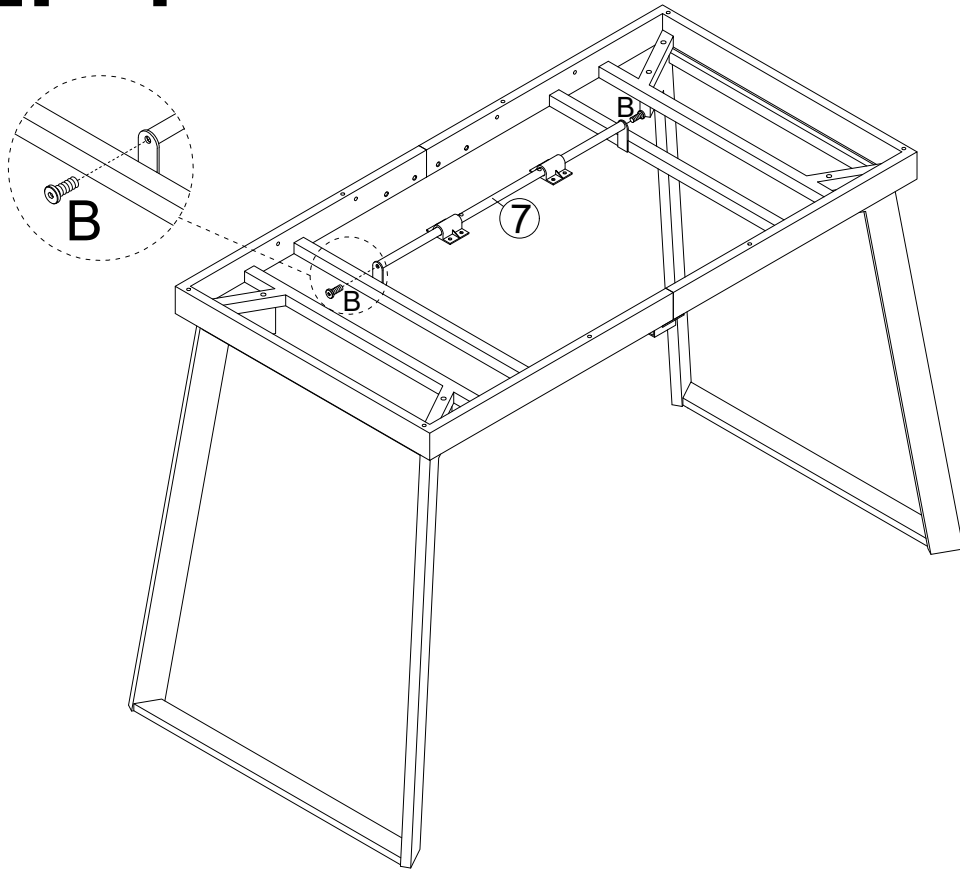
C	X8
	
M6X30mm	

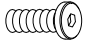
STEP 3



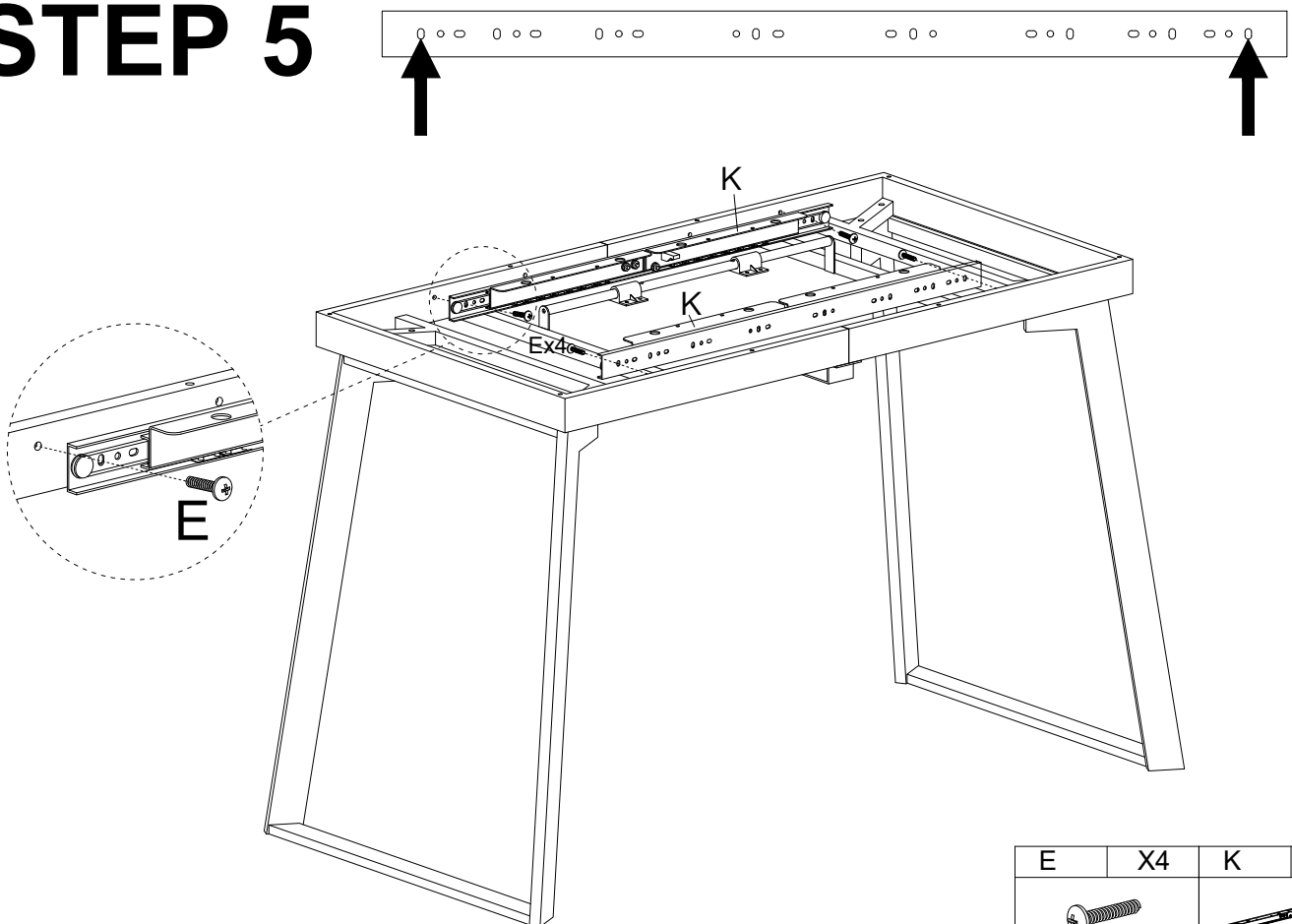
A	X2	J	X2
			
M6X12mm		50X40X22mm	



STEP 4



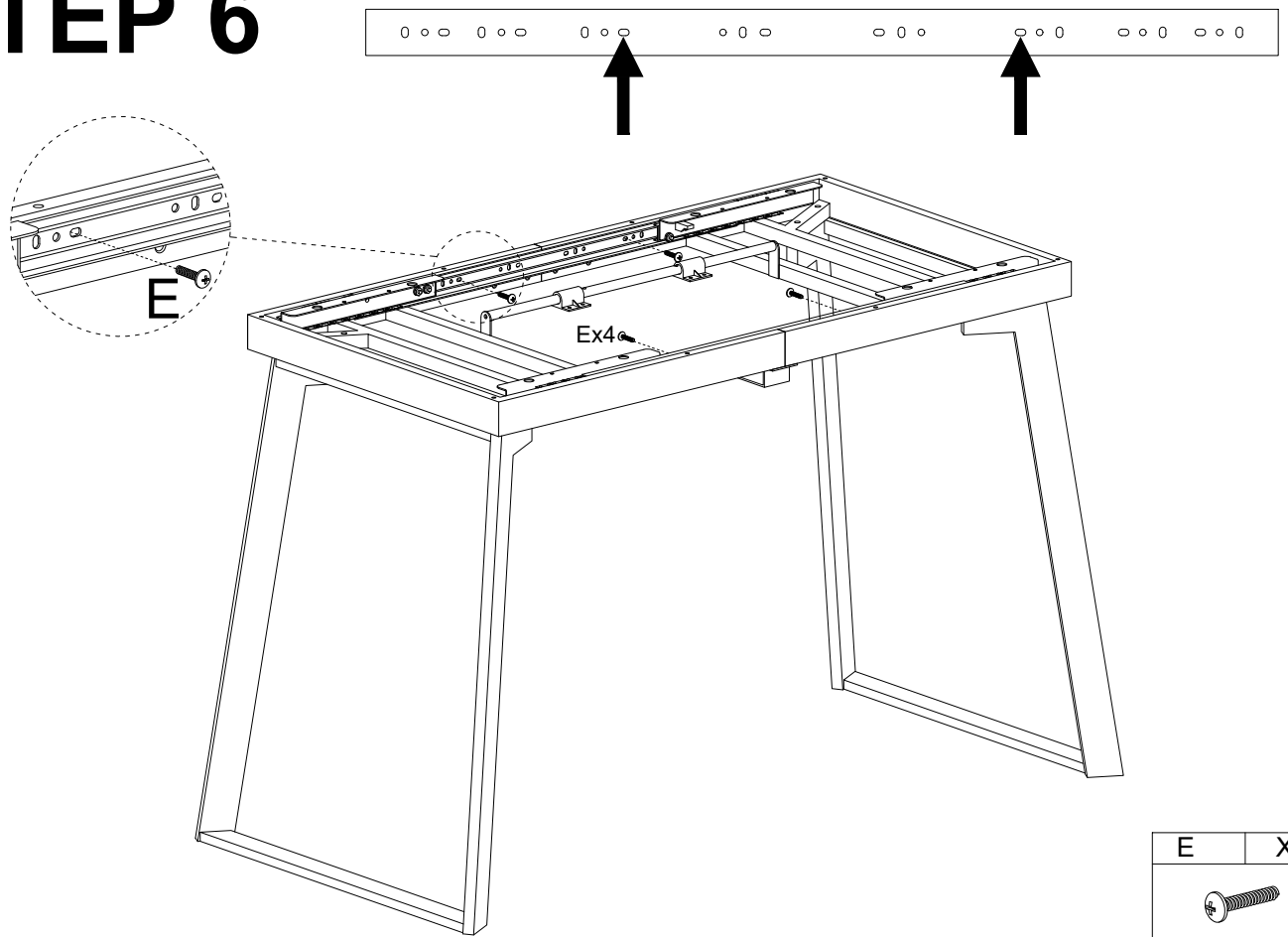
B	X2
	
M6X20mm	


STEP 5



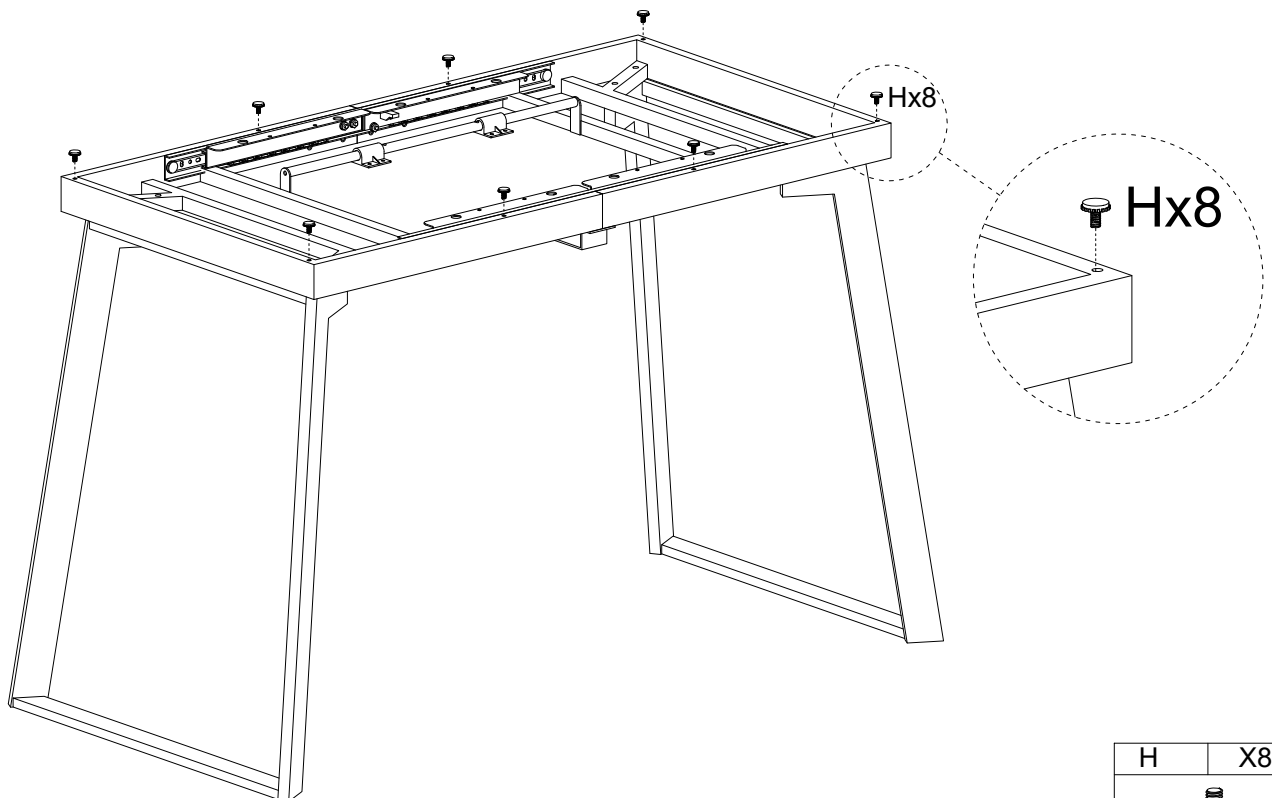
E	X4	K	X2
			
M4X12mm		L690mm	


STEP 6



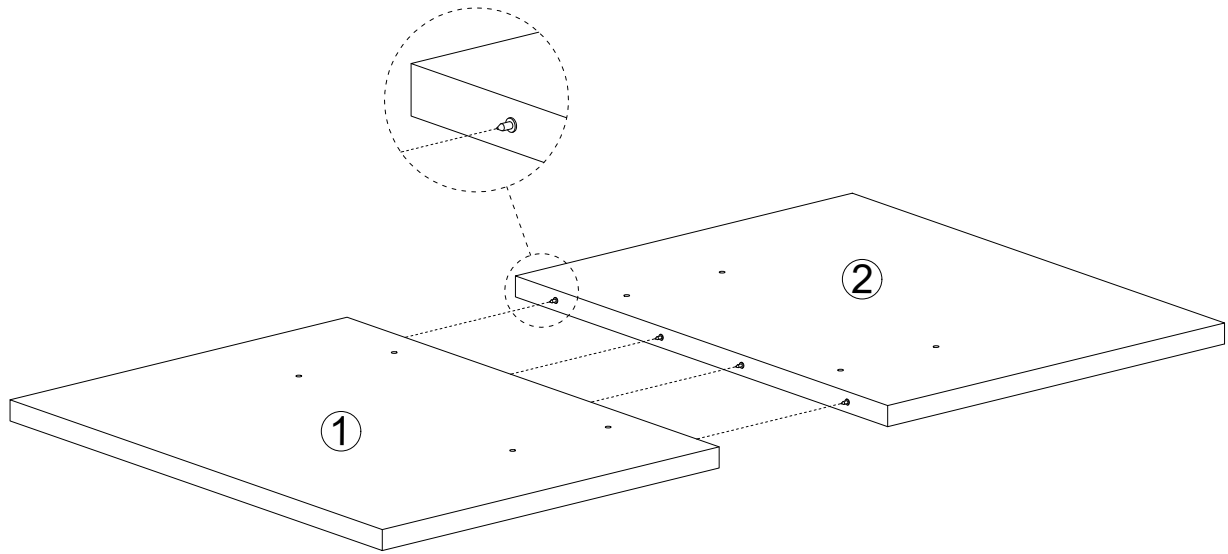
E	X4
	
M4X12mm	

STEP 7

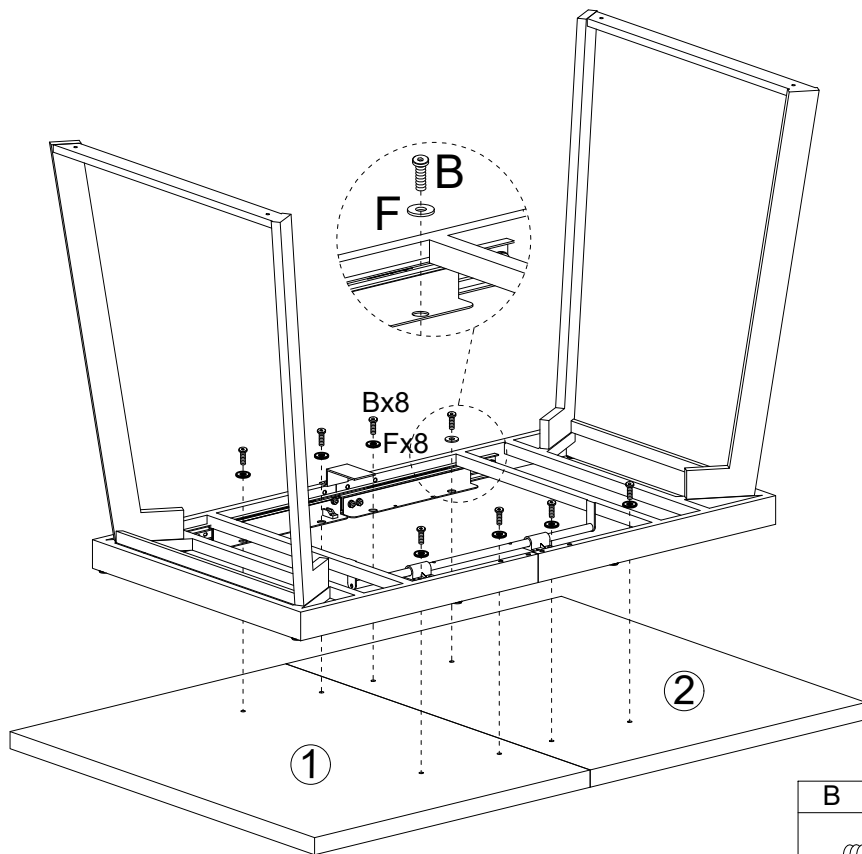




H	X8
	
M6XØ15mm	

STEP 8

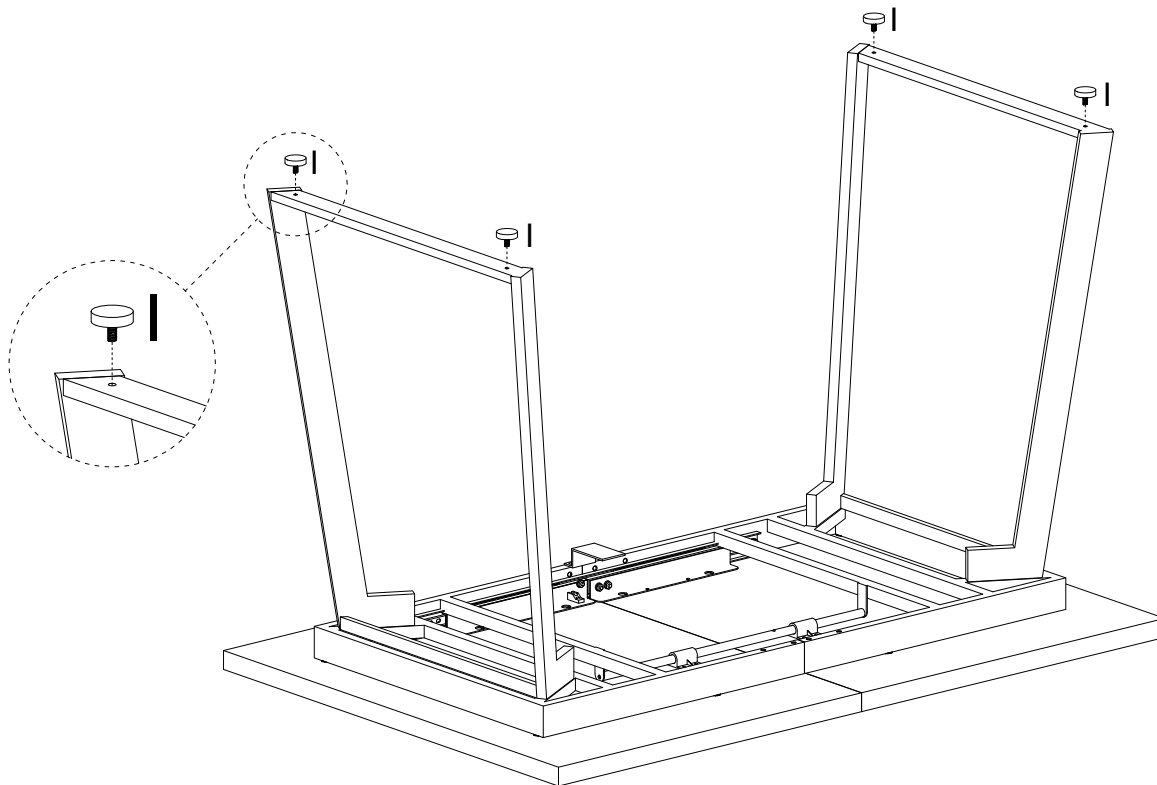


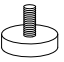
STEP 9



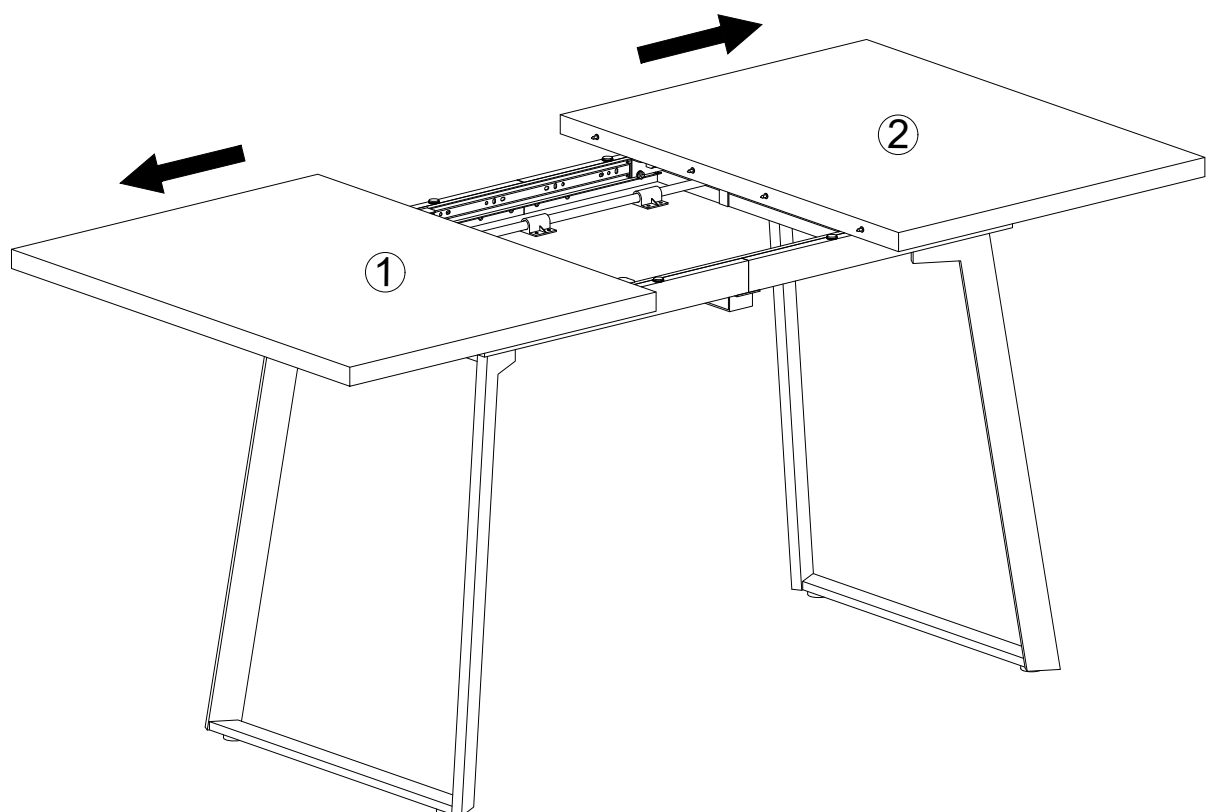
B	X8	F	X8
			
M6X20mm		Ø18X2mm	

STEP 10

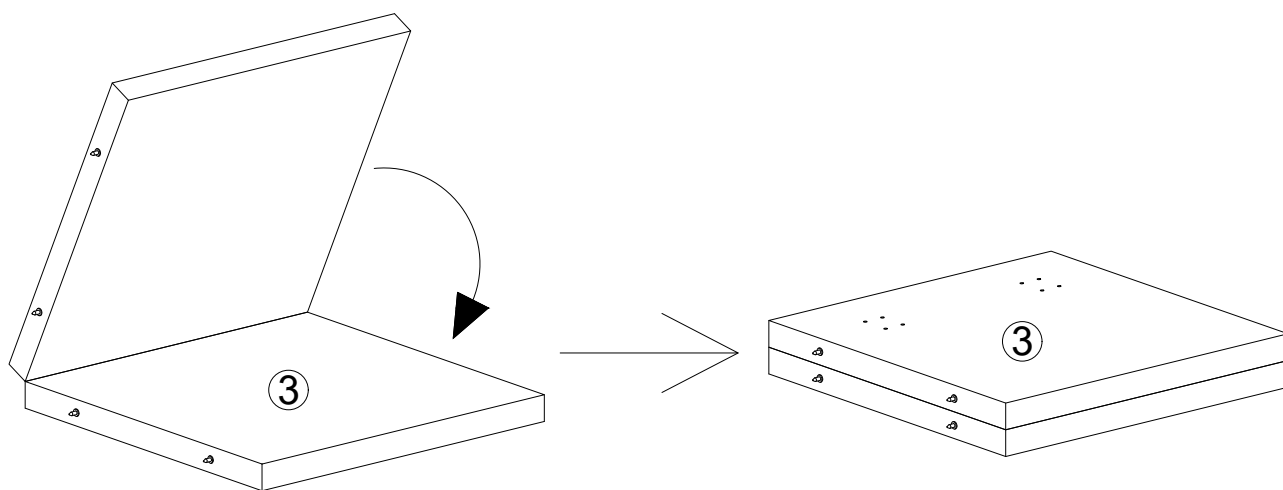


1	X4
	
M6XØ30mm	

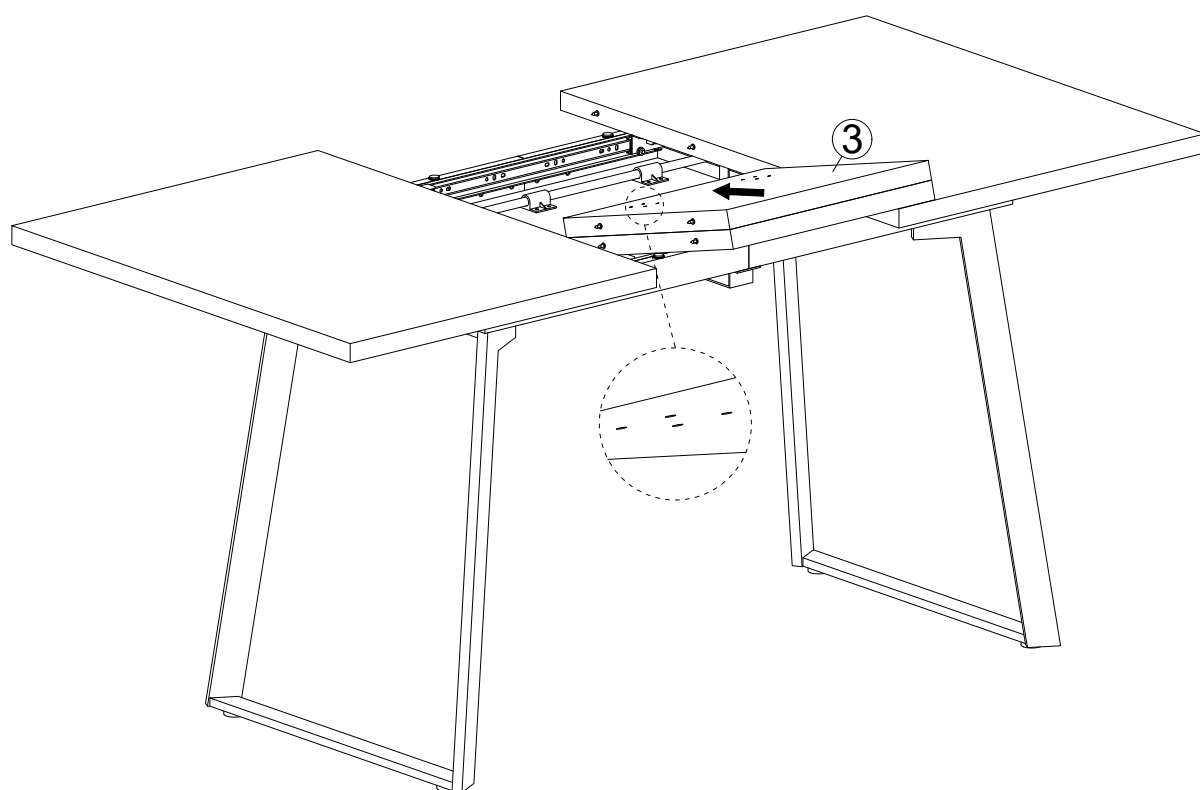
STEP 11



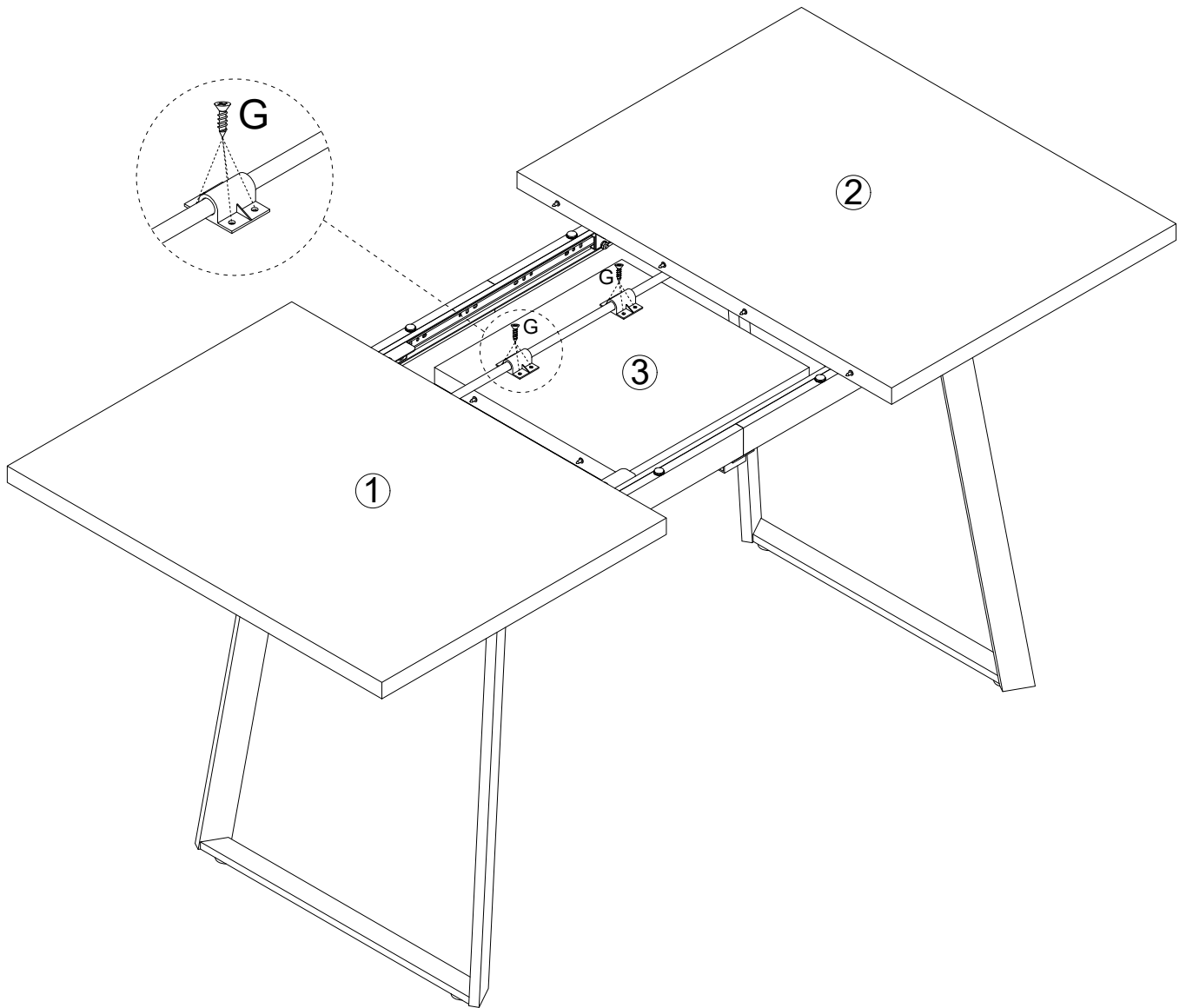
STEP 12




STEP 13



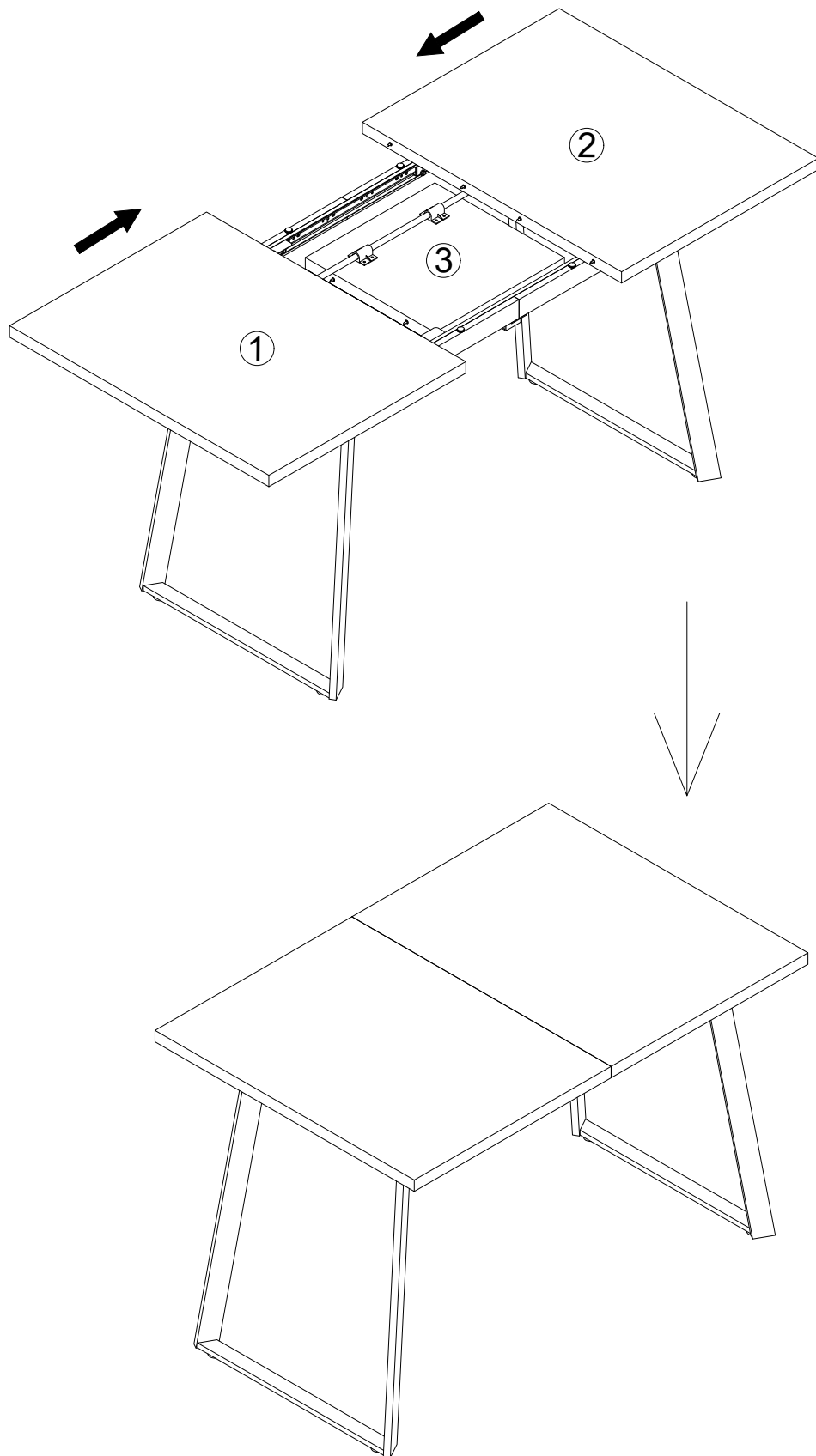
STEP 14



G	X8
	
Ø3.5X14mm	

STEP 15

STYLE 1



STEP 16

Please fold and unfold this board with two hands.

