

# INSTRUCTION MANUAL

---

## ! NOTICE

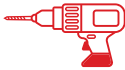
Please retain these instructions for future reference.

- Firmly secure all bolts, screws and knobs before use.
- Reconfirm that all bolts, screws, and knobs are secure every 90 days.
- Fasten screws loosely during initial assembly. Do not fully tighten screws until the item is completely assembled.
- Do not use or store this item in the proximity of open flame or flammable/combustible chemicals.
- Be aware that some parts are heavy and have sharp edges.
- Be aware that moving parts can injure, crush, and cut.
- If any parts are missing, broken, damaged, or worn, stop using this product until repairs are made and/or factory replacement parts are installed.
- Do not use this item in a way inconsistent with the manufacturer's instructions as this could void the product warranty.

## TOOLS REQUIRED



PHILLIPS  
SCREWDRIVER



DRILL  
(RECOMMENDED)



2 PERSON  
ASSEMBLY



APPROXIMATELY  
45 MIN.  
ASSEMBLY

## HARDWARE

**P1** M4.0 x 45 mm  
SCREW



12PCS+1 spare

**P2** M3.5 x 60 mm  
SCREW



6PCS+1 spare

**P3** M3.5 x 40 mm  
SCREW



29PCS+1 spare

**P4** M3.5 x 35 mm  
SCREW



24PCS+1 spare

**P5** M3.0 x 16 mm  
SCREW



12PCS+1 spare

**P6** M3.5 x 50 mm  
SCREW



4PCS+1 spare

**P7** Connect Piece



6PCS

**P8** Eye hook



8PCS

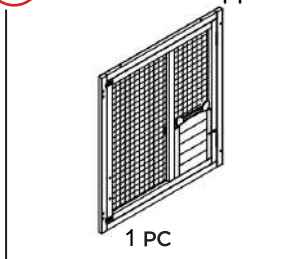
**P9** Hook



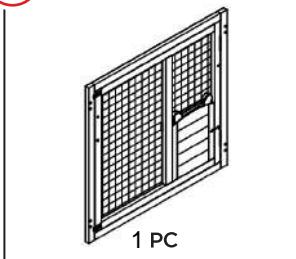
2PCS

# PARTS

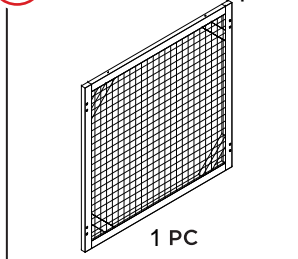
**A1** Front Panel- Upper



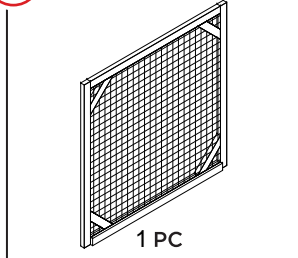
**A2** Front Panel- Down



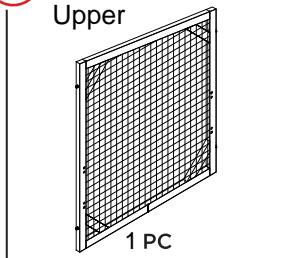
**B1** Back Panel- Upper



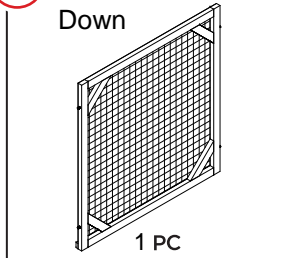
**B2** Back Panel-Down



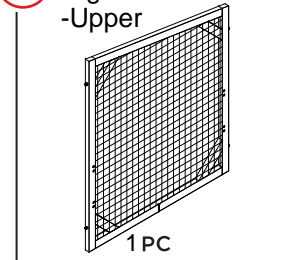
**C1** Left Side Panel-Upper



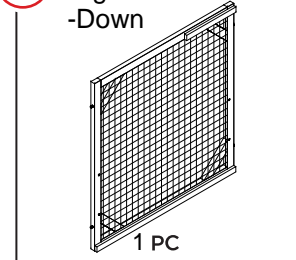
**C2** Left Side Panel-Down



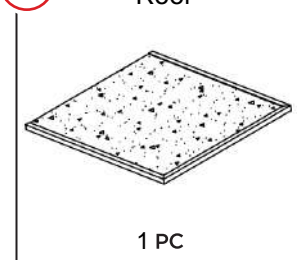
**D1** Right Side Panel-Upper



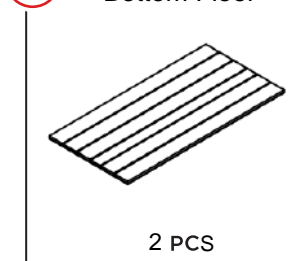
**D2** Right Side Panel-Down



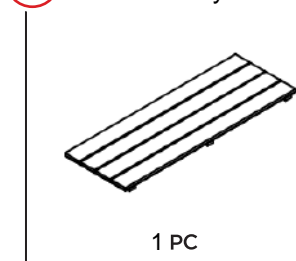
**E** Roof



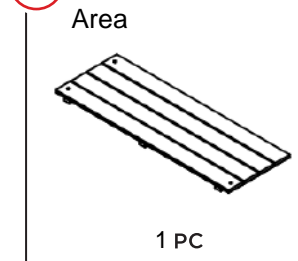
**F** Bottom Floor



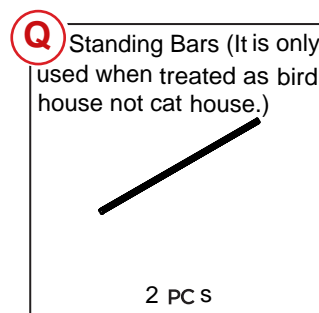
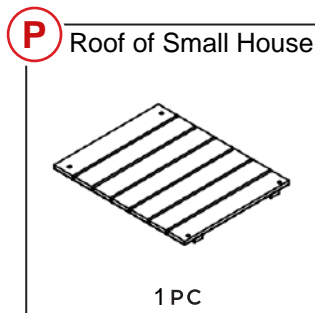
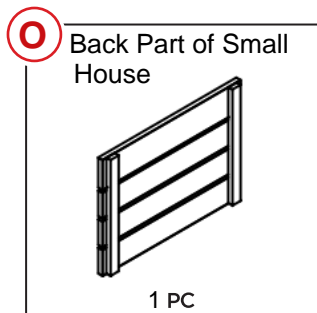
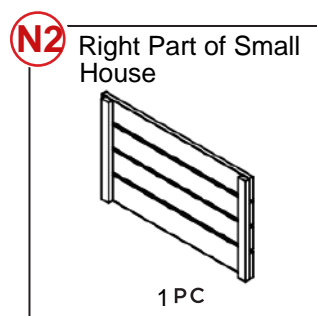
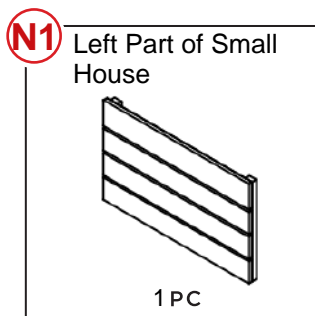
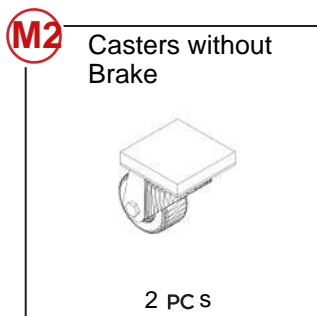
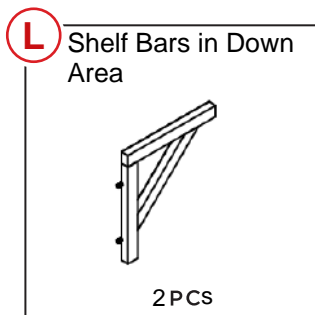
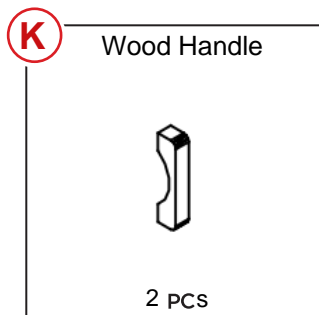
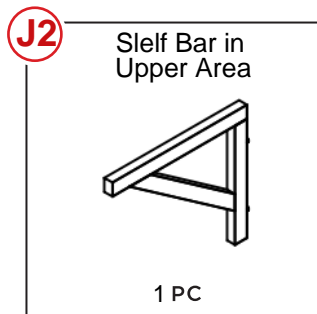
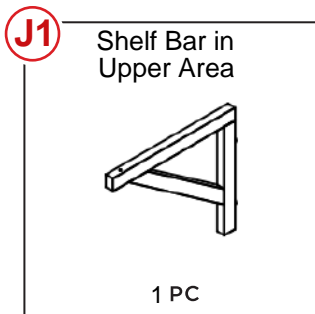
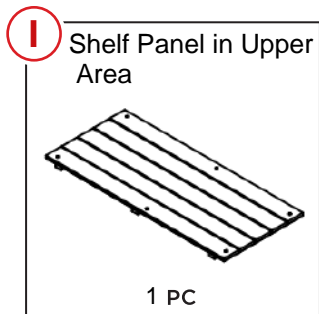
**G** Middle Layer



**H** Shelf Panel in Down Area



# PARTS



## PARTS

**R**

Roof Connect Slats

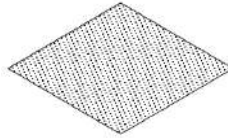
(This is only for 2 hutch owner. No usage for only one hutch owner.)



1 PC

**S**

PVC layer



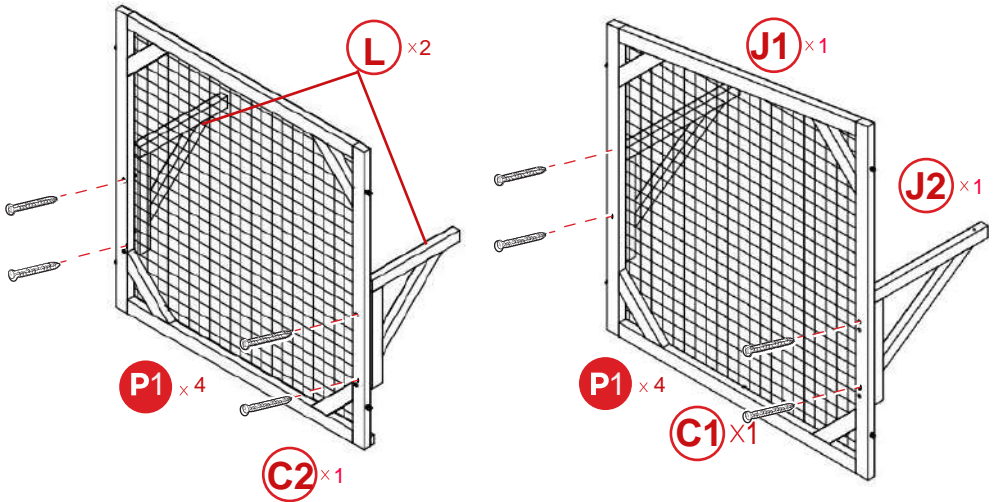
1 PC

## PRODUCT ASSEMBLY

**1**

Notes:

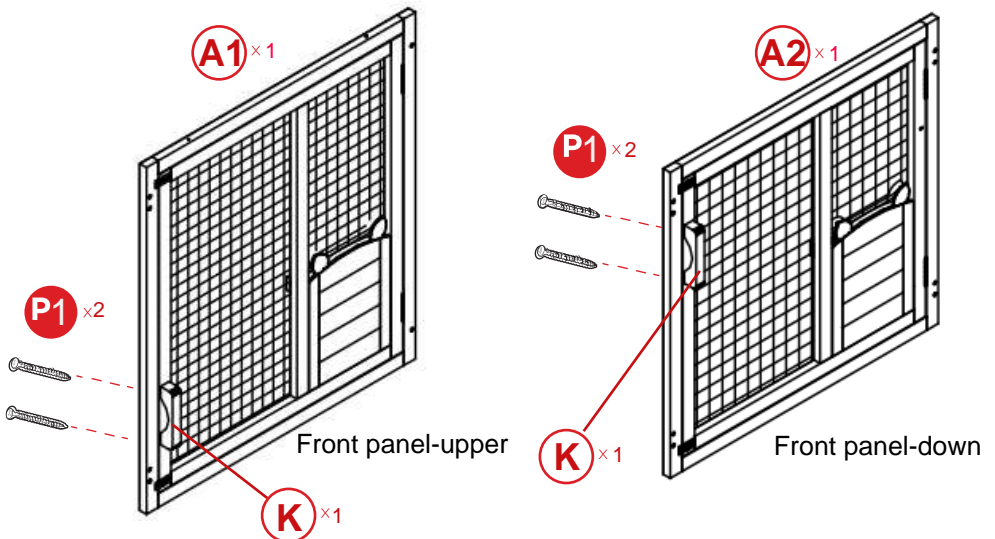
- 1, Fix the shelf to the panel, attached 2 pcs Part 'L' to the Part 'C2' by 4xP1.
  - 2, Attached shelf 'J2' & shelf 'J1' to the Part 'C1' by 4xP1 screws.
- (Notice do not confuse with the J2,J1.)



**2**

Notes:

- 1, Screw the handle 'K' to the front panels 'A1' & 'A2' by 2xP1 each.

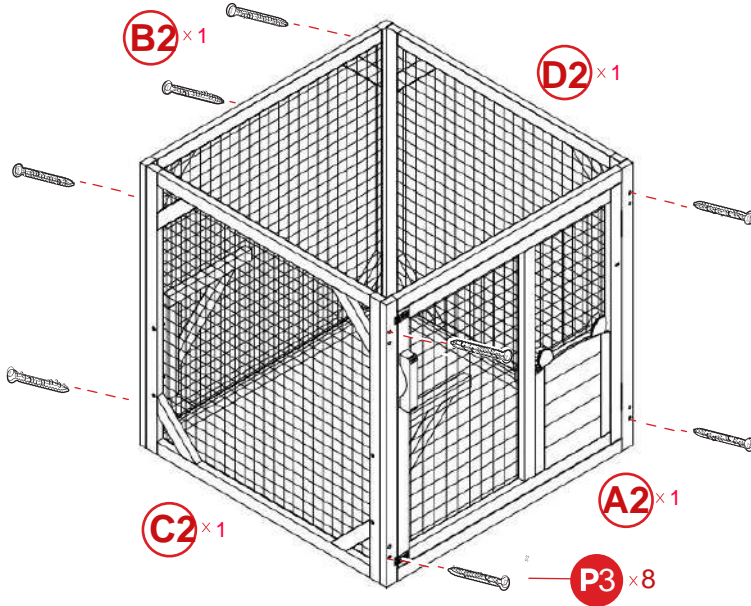


## PRODUCT ASSEMBLY

### 3

Notes:

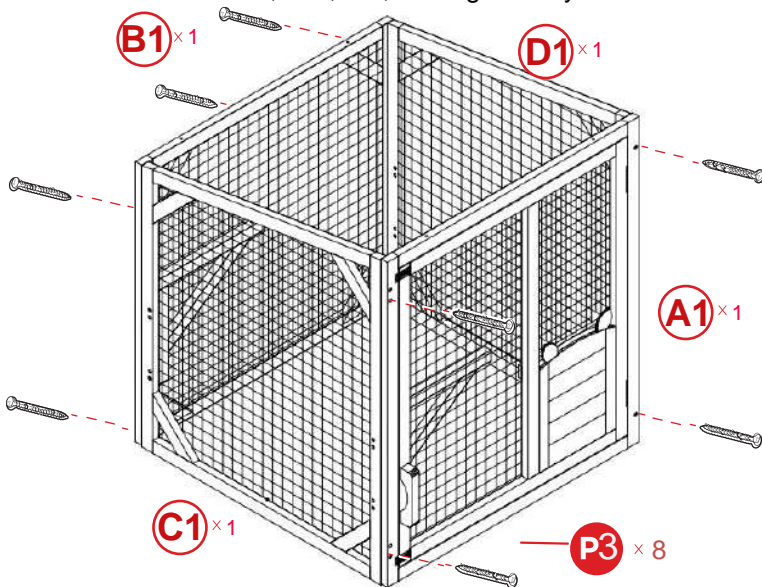
- 1, Assemble the down half hutch.
- 2, Attached the 4 sides 'A2', 'B2', 'C2', 'D2' together by 8XP3.



### 4

Notes:

- 1, Assemble the upper half hutch.
- 2, Attached the 4 sides 'A1', 'B1', 'C1', 'D1' together by 8XP3.

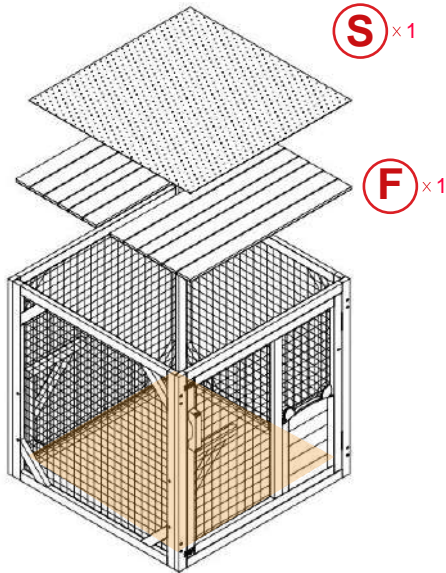


## PRODUCT ASSEMBLY

**5**

Notes:

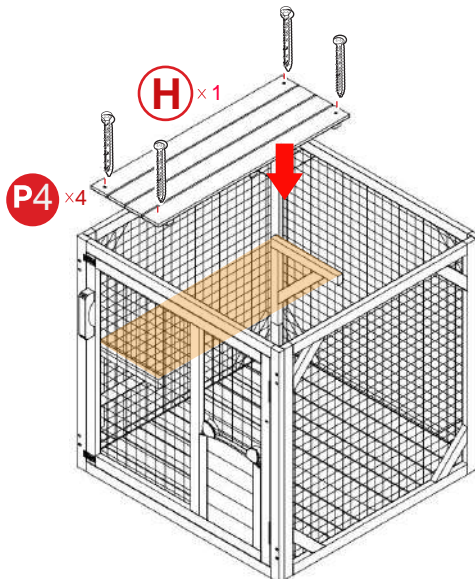
1. Put the 2 pcs floor Part F into the down half hutch.
2. Put the black PVC layers Part S above the wood floor for easier cleaning.



**6**

Notes:

1. Attached the shelf panel Part H on the shelf in the down area by 4XP4 screws.

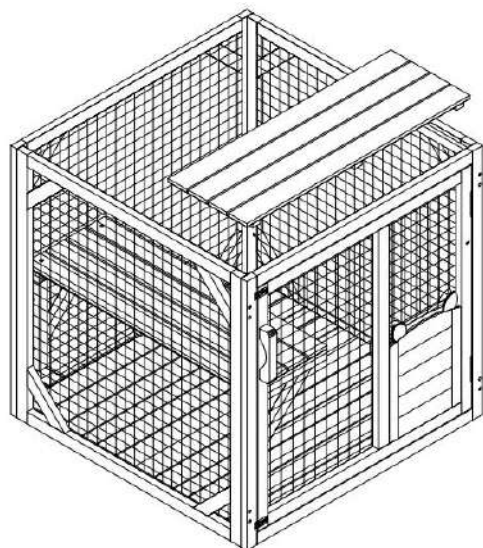


## PRODUCT ASSEMBLY

7

Notes:

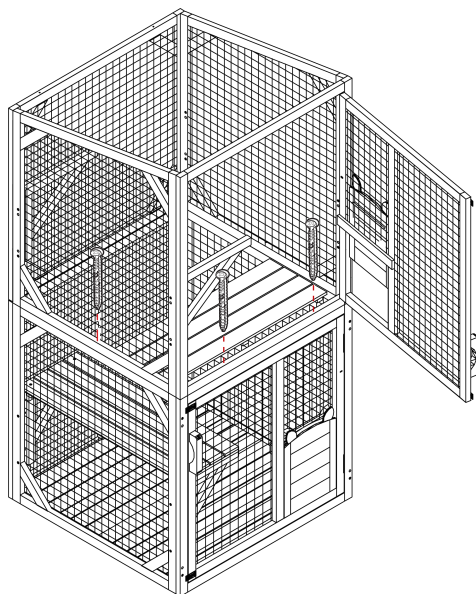
Put the middle layer Part G on the top slat of the down hutch close to the front panel.



8

Notes:

Connect the the front of the up and down hutch by 3xP2  
(Notice there are screw holes to direct finding the right position)

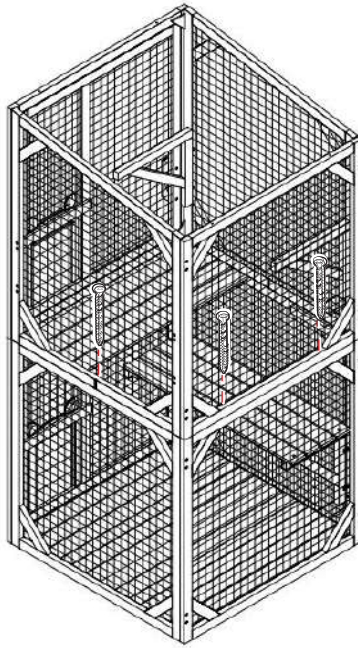


## PRODUCT ASSEMBLY

9

Notes:

Connect the the back of the up and down hutch by 3xP2  
(Notice there are screw holes to direct finding the right position)

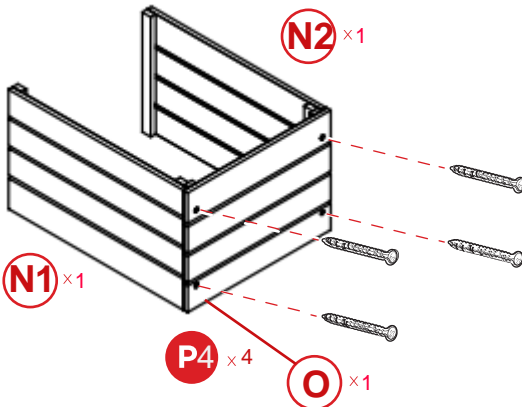


P2 x3

10

Notes:

- 1, Assemble the small house!
- 2, Attached Part 'O' to 'N1' & 'N2' by 4xP4.
- 3, Screw the roof Part P by 4xP4.



P x1

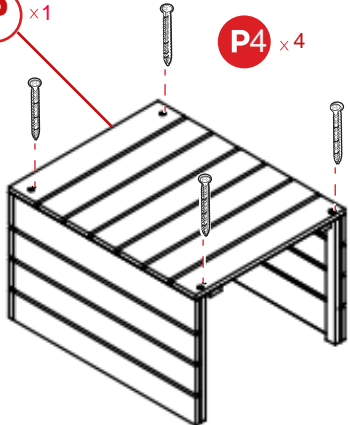
P4 x4

N1 x1

N2 x1

P4 x4

O x1

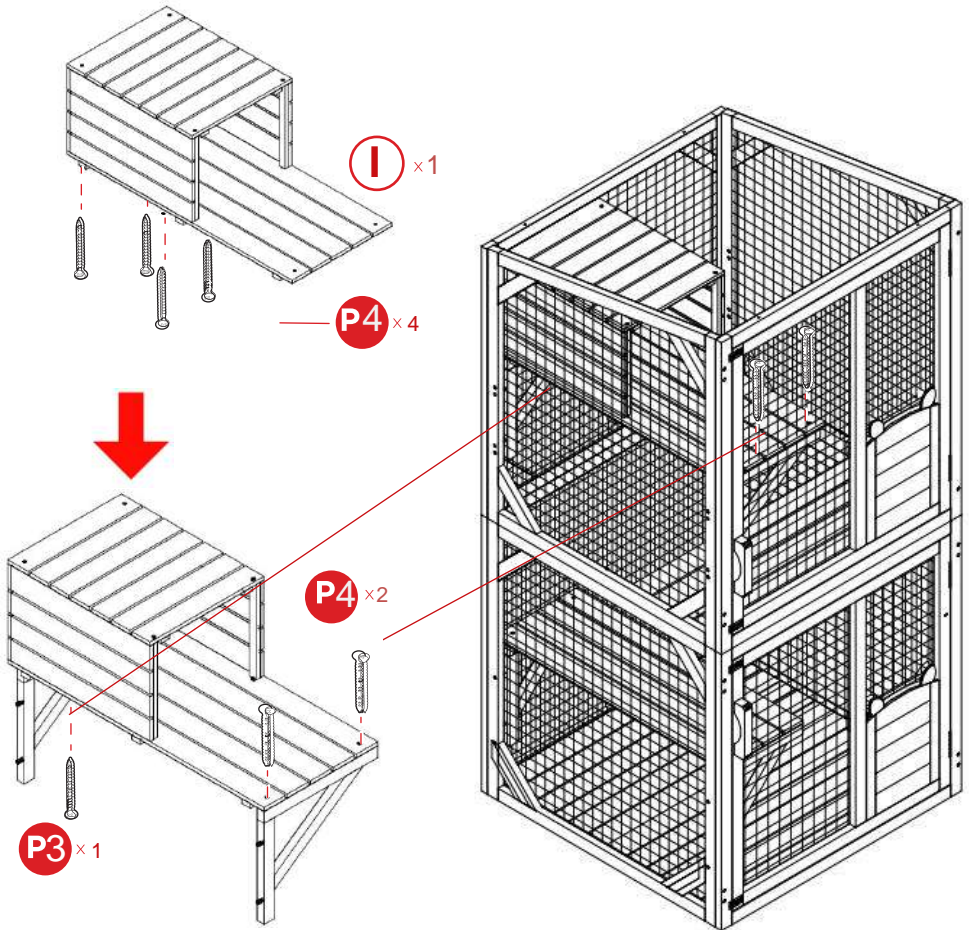


## PRODUCT ASSEMBLY

# 11

### Notes

1. Screw the Panel I to the small house by 4xP4.
2. Attached the Panel I to the shelf by 2xP4.
3. Screw 1xP3 through the inner shelf from the bottom. Notice there is a predrill hole for direction.



## PRODUCT ASSEMBLY

# 12

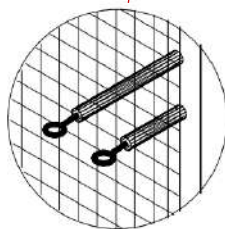
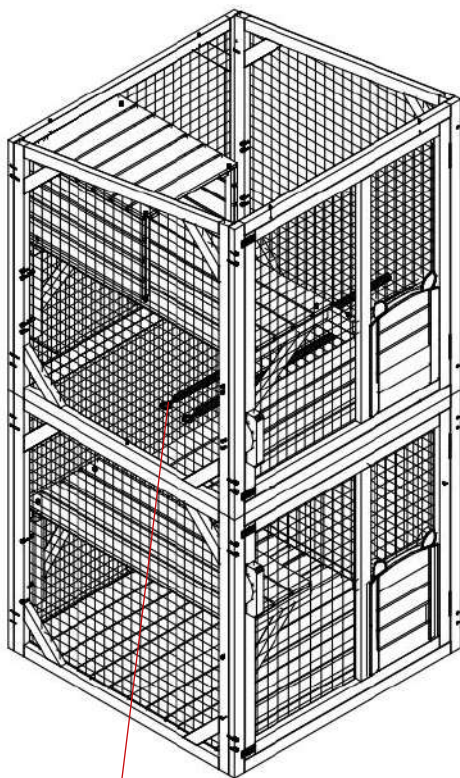
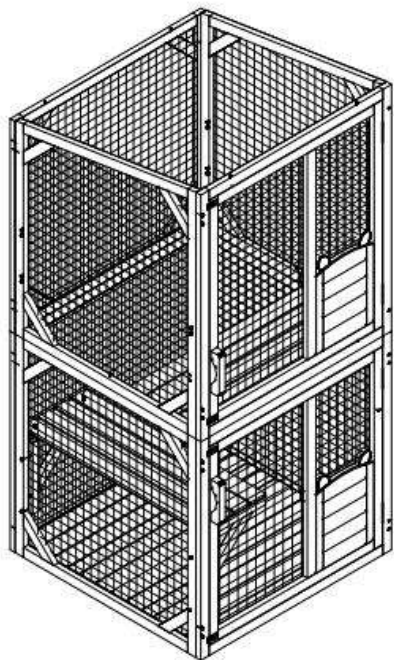
Remark:

If you used the hutch as bird house, in this step, you can put the two standing bars Part Q into the wire, (in anyplace you want.)

Then screw the eye look P8 to the 2 ends each to lock.

These bars are not useful if you don't need them.

**Q** × 2



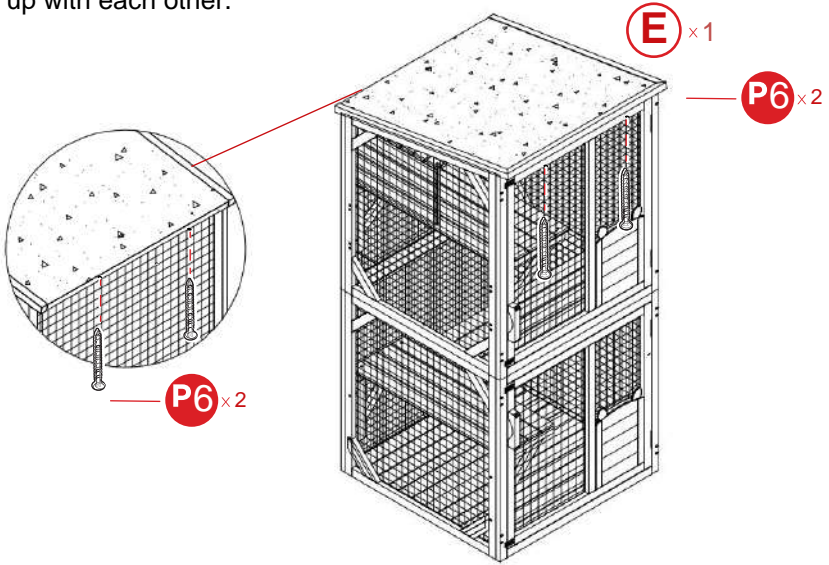
**P8** × 4

## PRODUCT ASSEMBLY

**13**

Notes:

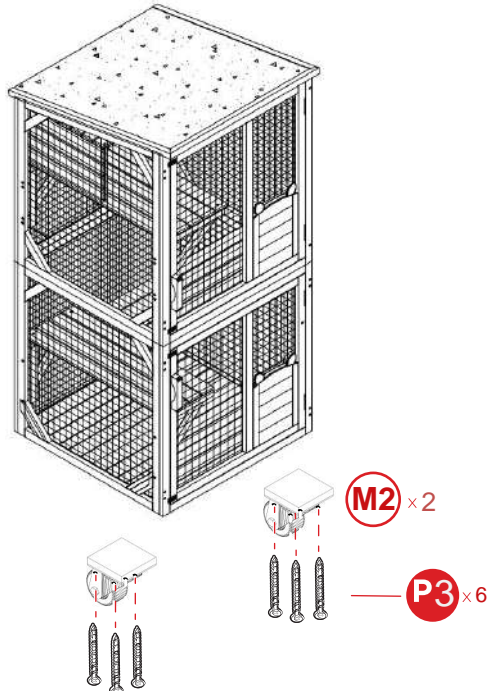
Attached the roof Part E to the hutch by 4XP6. Ensure top roof panels line up with each other.



**14**

Notes:

Screw the 2 casters without brake 'M2' to the front corners by 3XP3 each.

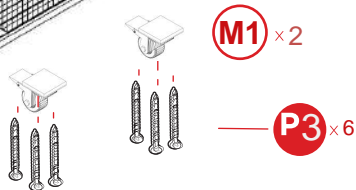
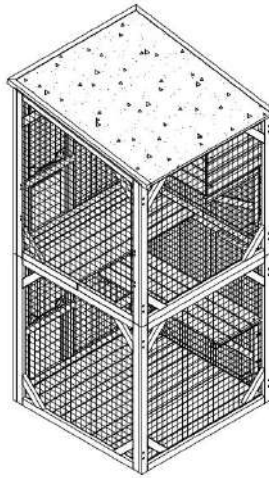


## PRODUCT ASSEMBLY

# 15

Notes:

Screw the 2 brake casters Part M1 to the back corners by 3XP3 each.



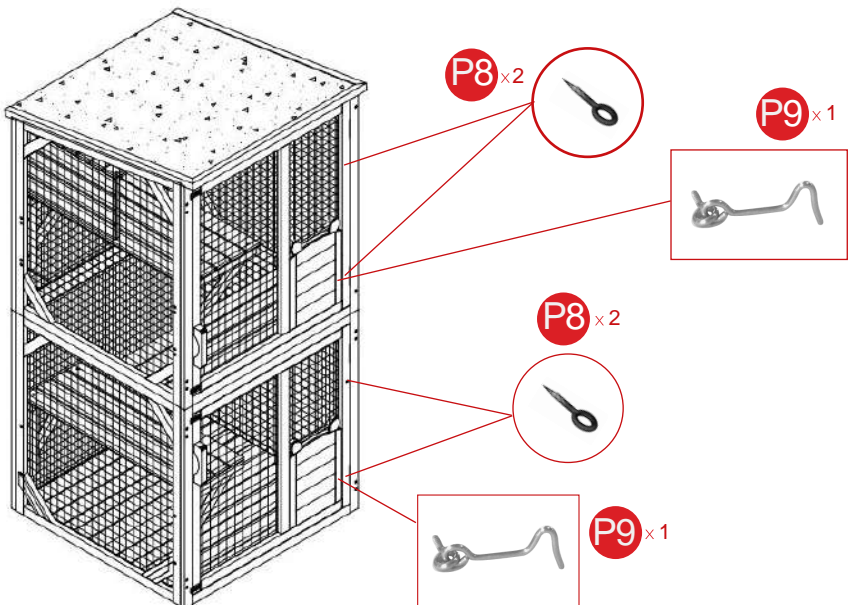
# 16

Notes:

1. Insert the eye hook 4xP8 into the position as show on the picture.

2. Insert the set of eye hook P9 beside the door.

Notice there are predrill holes to direct.



**REMARK:**

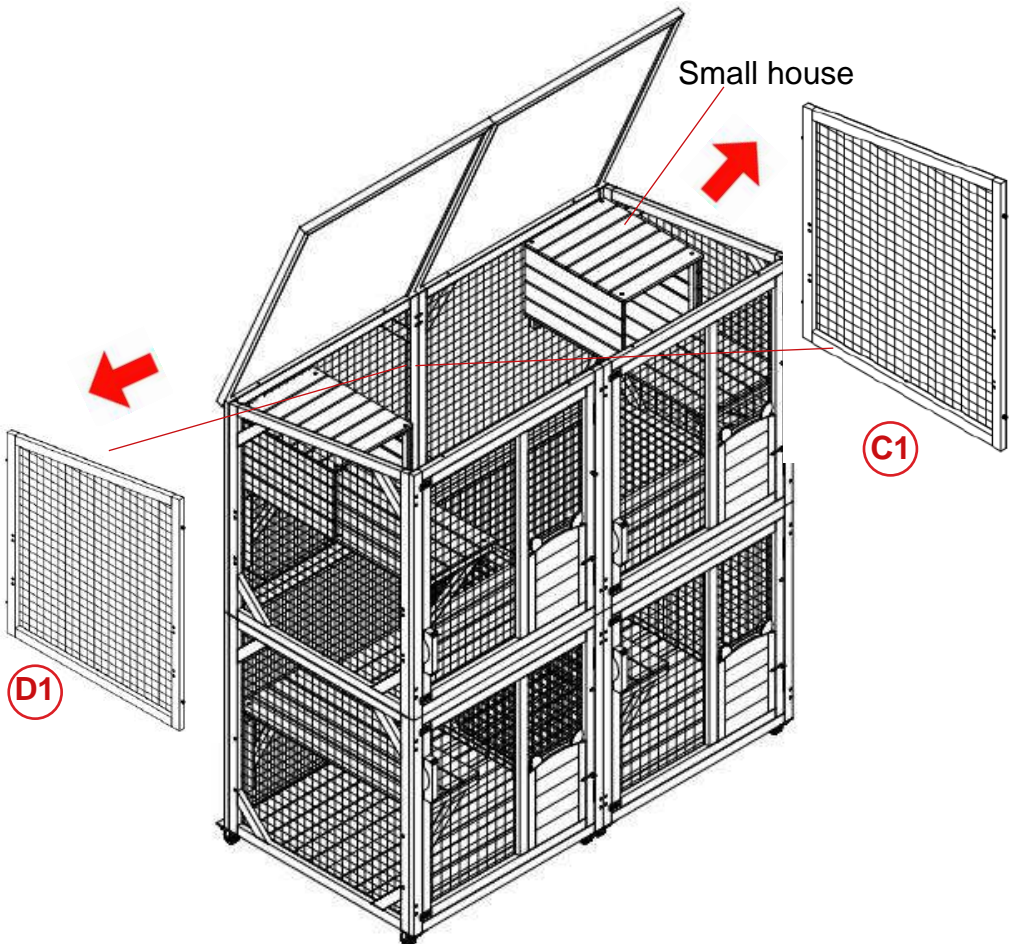
The below 3 steps are for 2 hutches to combine together. If you do only buy one hutch ,pls ignore the following.

**17**

Notes:

Take out the Part 'D1' in the left hutch and take out the Part 'C1' in the right hutch to combine together.

Then move the small house and shelf which was stay in C1 before to the right side as show on the picture.

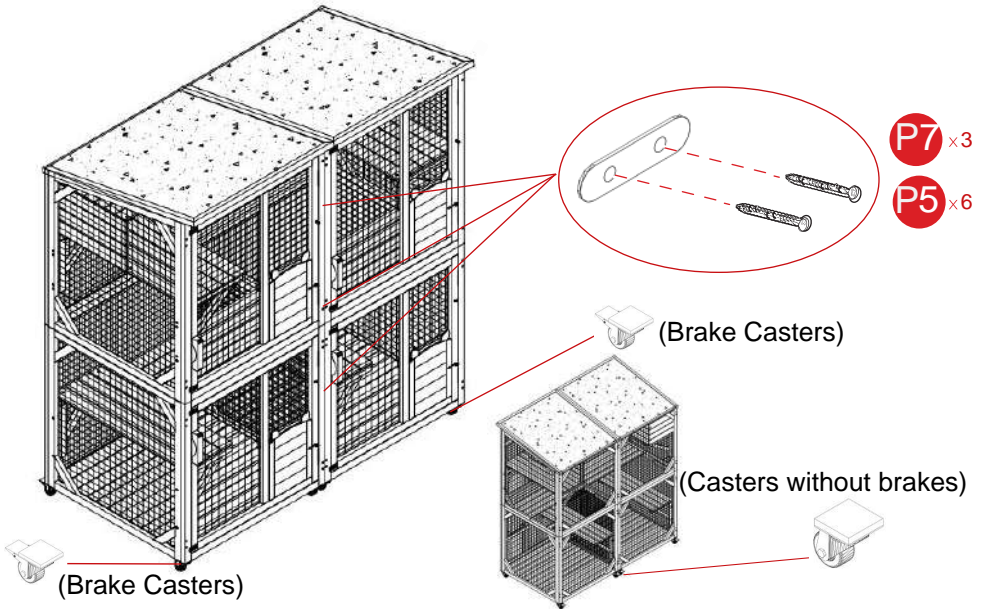


## PRODUCT ASSEMBLY

# 18

Notes:

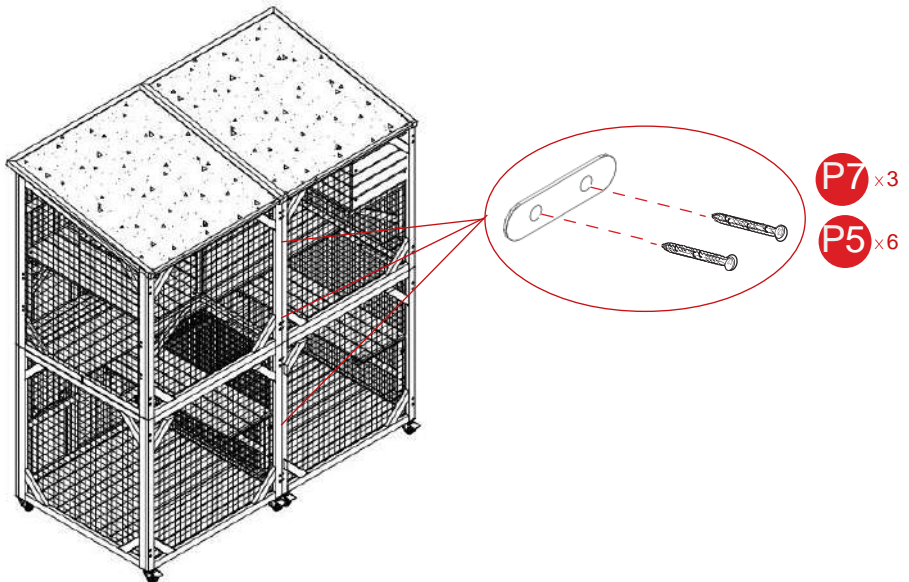
- 1, Screw the Connect Piece 3xP7 in the middle frame of the 2 hutches by 2xP5 each.
- 2, Screw the 4 brake casters in the 4 sides corners. And another 4 casters without brake in the middle positions.



# 19

Notes:

- 1, Screw the Connect Piece 3xP7 in the middle frame of the back hutches by 2xP5 each.

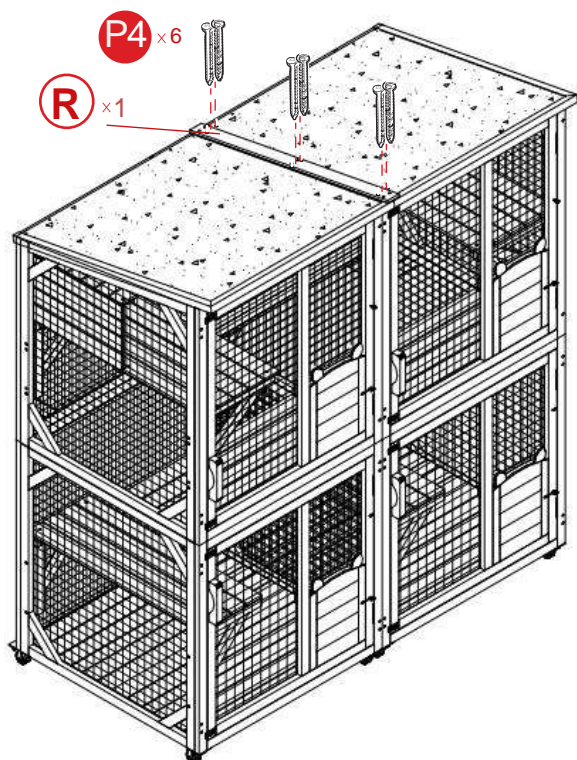


## PRODUCT ASSEMBLY

20

Notes:

Screw the roof connect slats Part R in the middle by 6xP4.



Finish