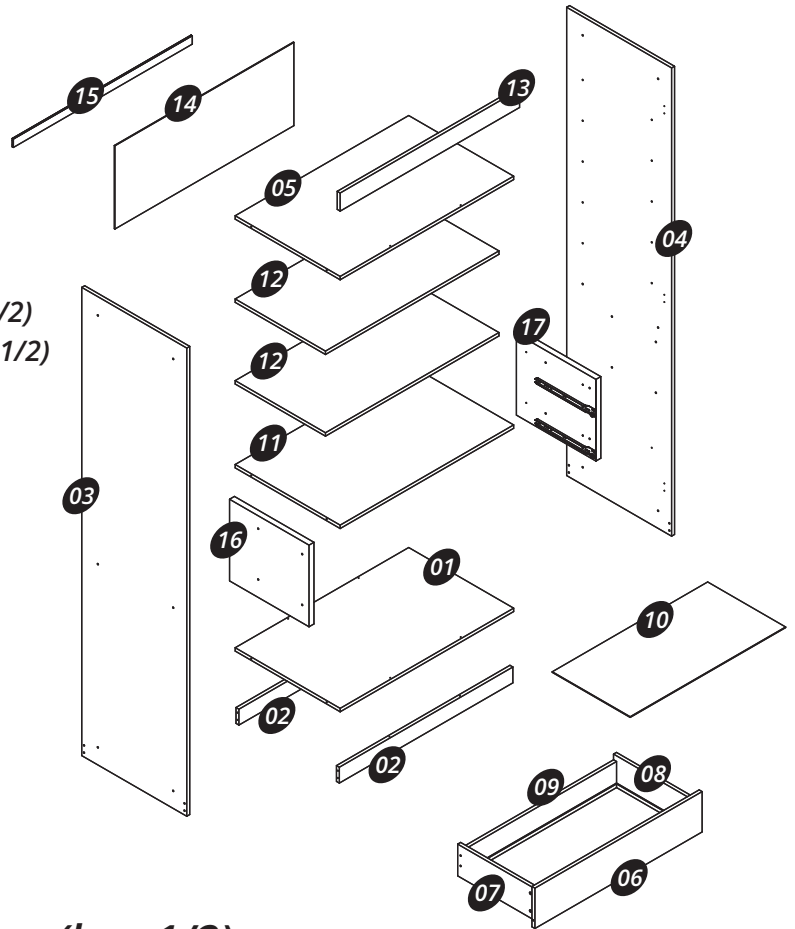


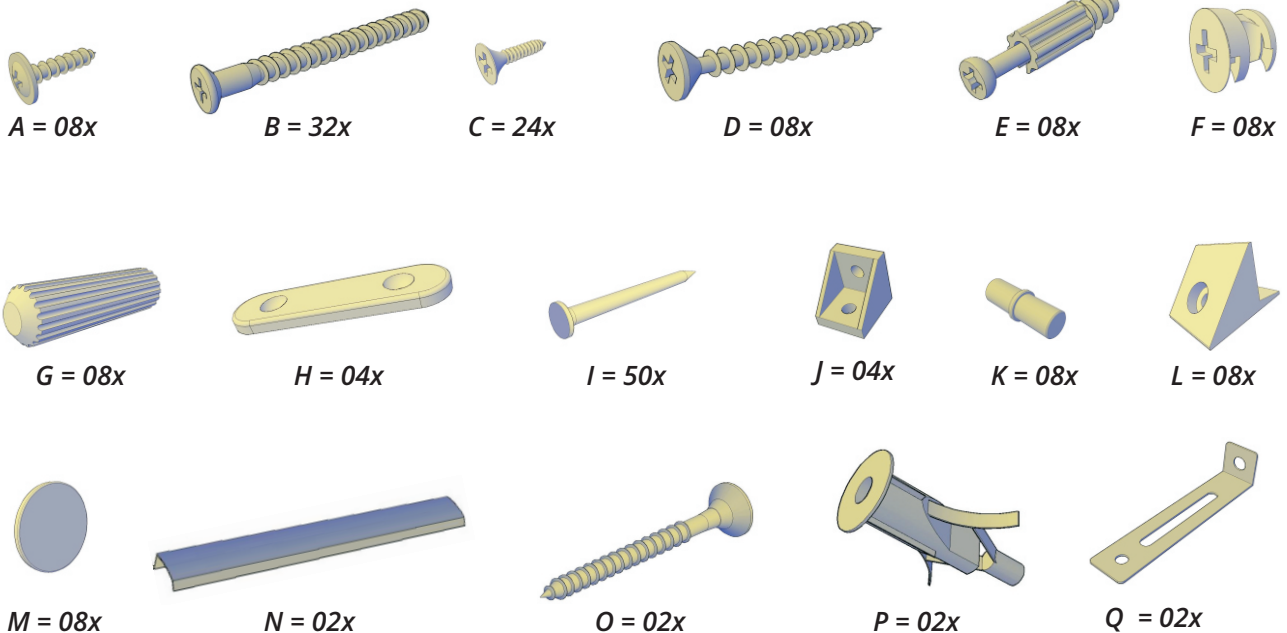


Included in the package

- 01 - Base = 01 piece (box 1/2)
- 02 - Lower Bar = 02 pieces (box 2/2)
- 03 - Left Side Panel = 01 piece (box 2/2)
- 04 - Right Side Panel = 01 piece (box 2/2)
- 05 - Top Panel = 01 piece (box 1/2)
- 06 - Front of the Drawer = 02 pieces (box 2/2)
- 07 - Left Side Panel of the Drawer = 02 pieces (box 1/2)
- 08 - Right Side Panel of the Drawer = 02 pieces (box 1/2)
- 09 - Rear Panel of the Drawer = 02 pieces (box 2/2)
- 10 - Base of the Drawer = 02 pieces (box 1/2)
- 11 - Shelf of the Drawers = 01 piece (box 2/2)
- 12 - Adjustable Shelf = 02 pieces (box 1/2)
- 13 - Upper Bar = 01 piece (box 2/2)
- 14 - Back Panel = 05 pieces (box 2/2)
- 15 - Union Plastic Profile = 04 pieces (box 1/2)
- 16 - Left Support of the Slides = 01 piece (box 1/2)
- 17 - Right Support of the Slides = 01 piece (box 1/2)



Hardware (box 1/2)

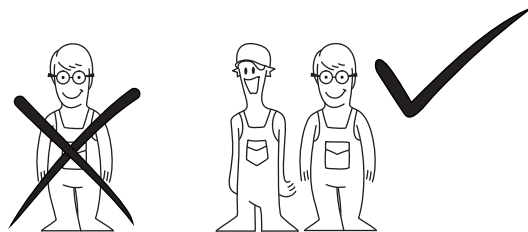
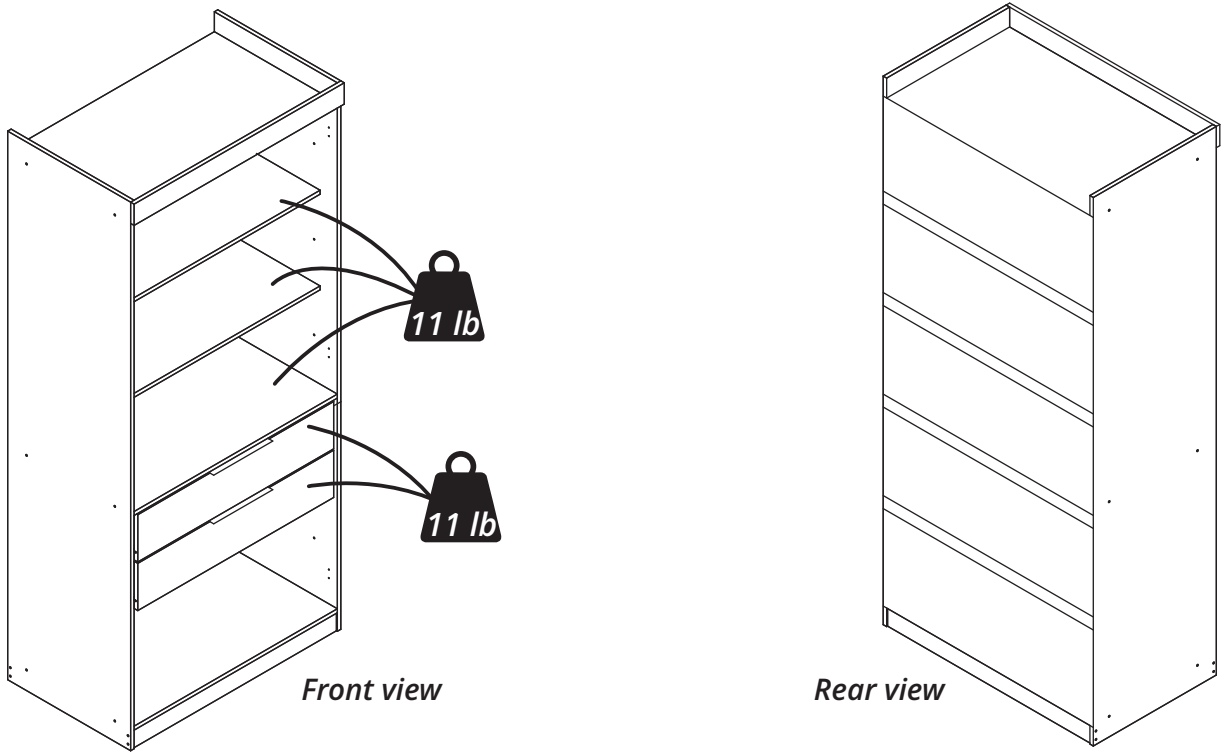


**Tools needed
(not included)**



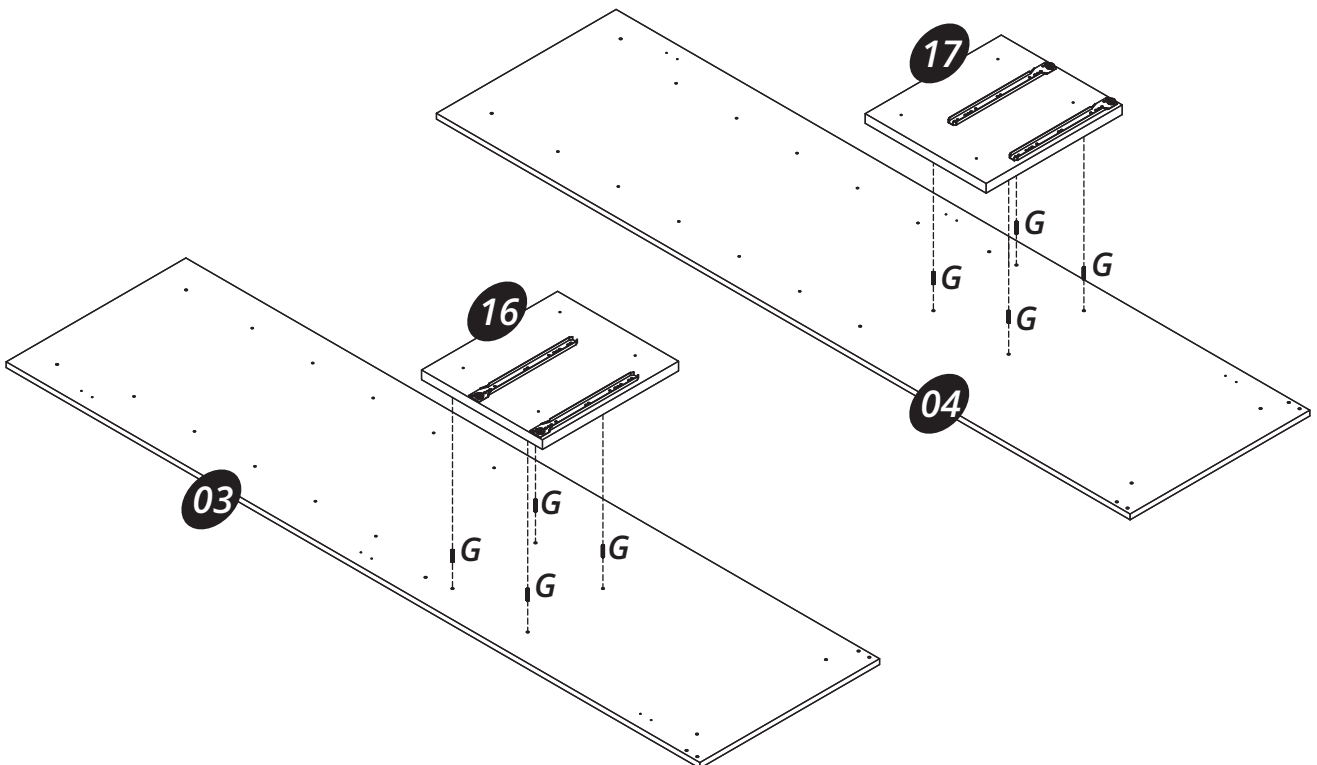
 Philips screw driver

 Screw driver



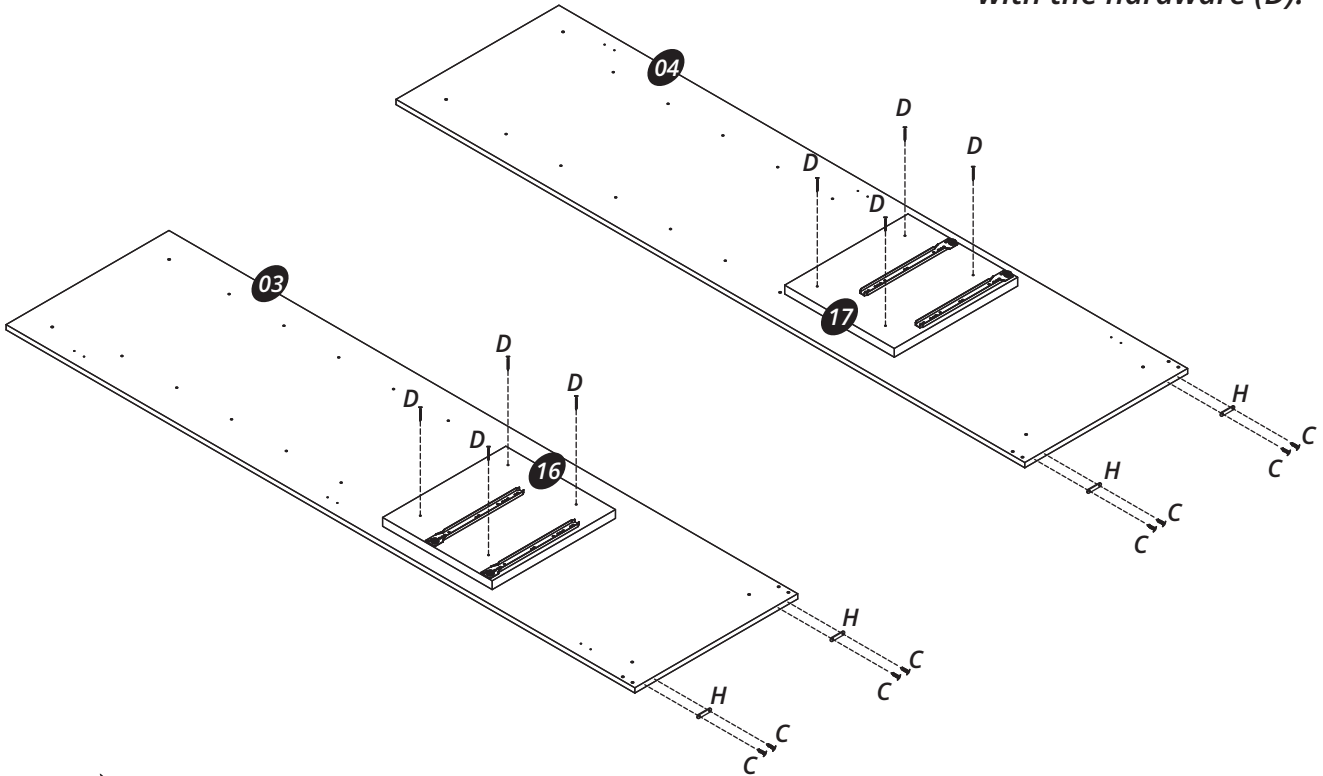
Step 01

Using the hardware (G) connect the part (16) onto the part (03) and the part (17) onto the part (04).



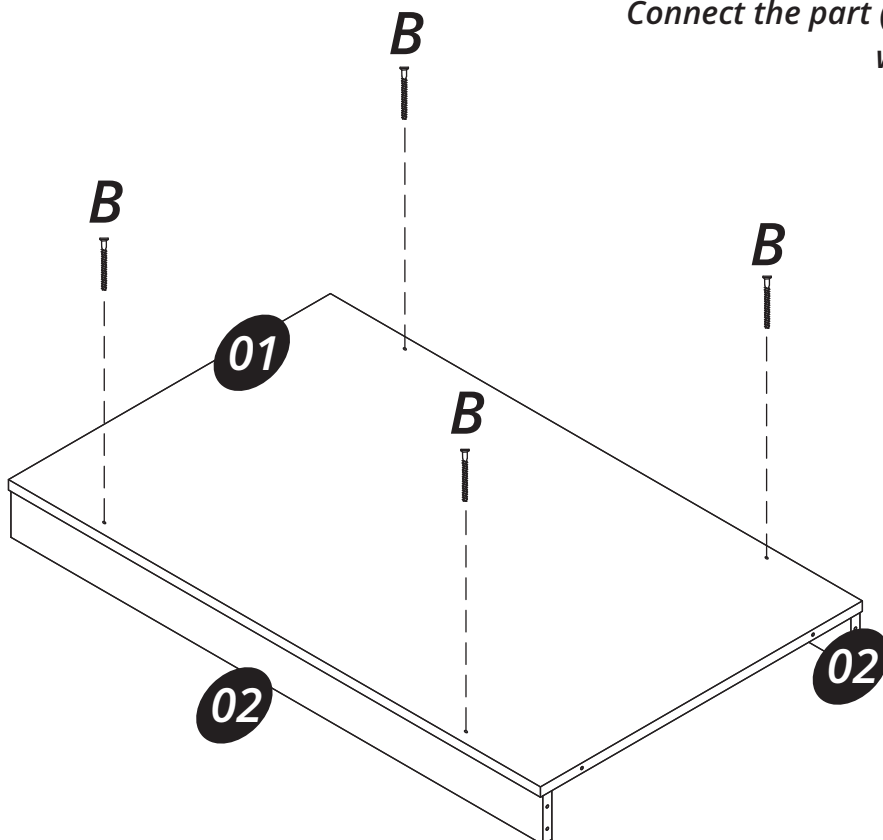
Step 02

Fix the hardware (H) onto the part (03) and the part (04) with the hardware (C).
Connect the part (16) and part (17) with the hardware (D).

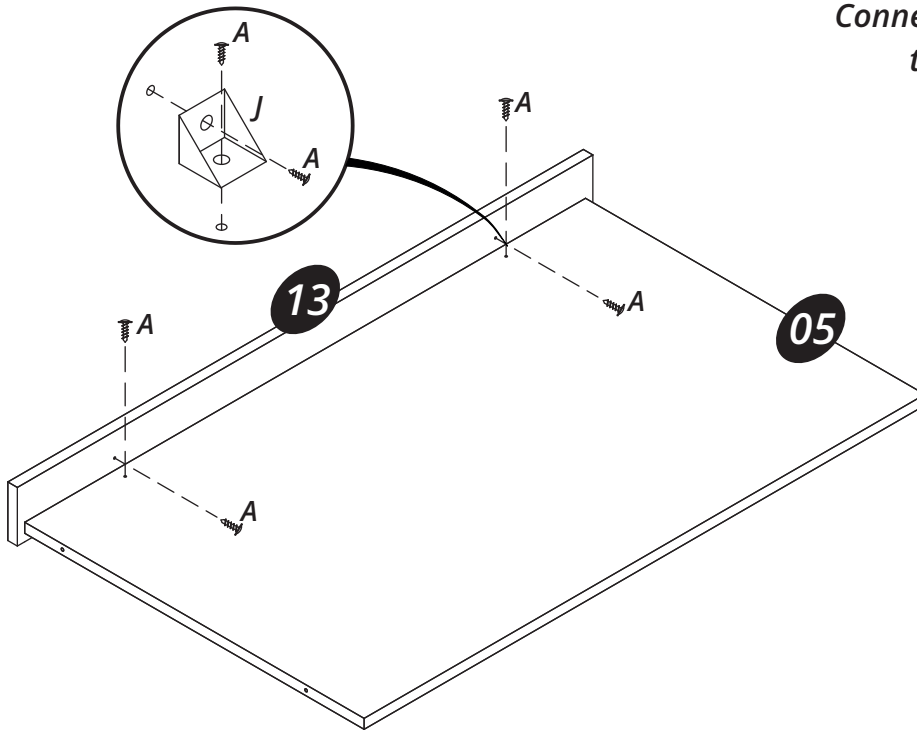


Step 03

Connect the part (01) onto the part (02) with the hardware (B).



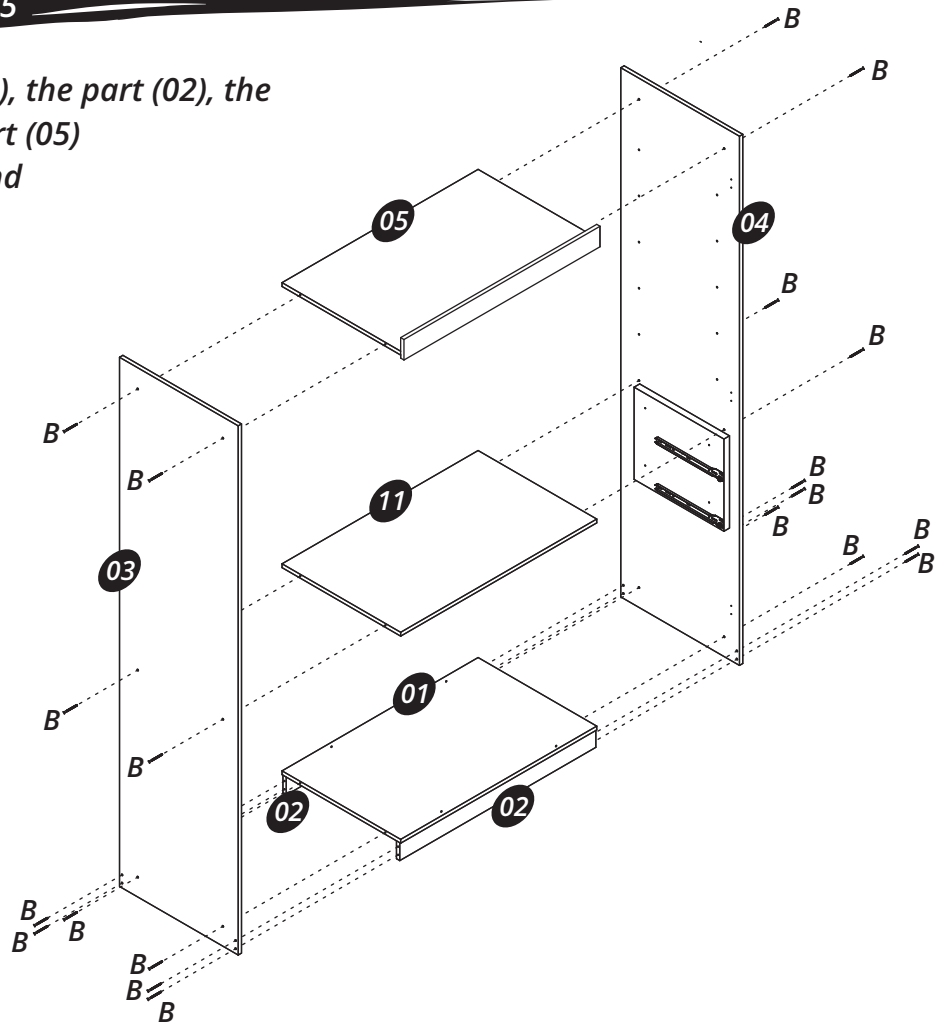
Step 04



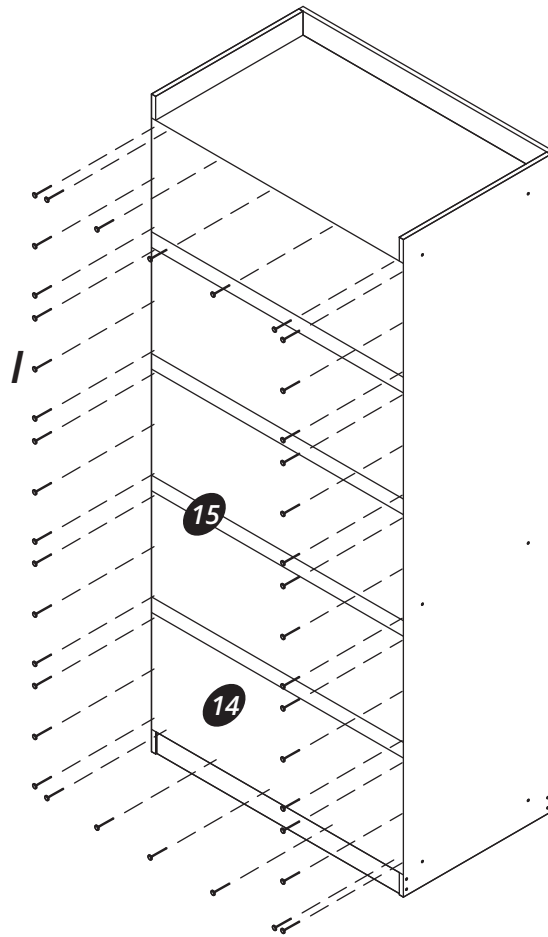
Connect the part (13) onto the part (05) with the hardware (J) and the hardware (A).

Step 05

Connect the part (01), the part (02), the part (11) and the part (05) onto the part (03) and the part (04) with the hardware (B).

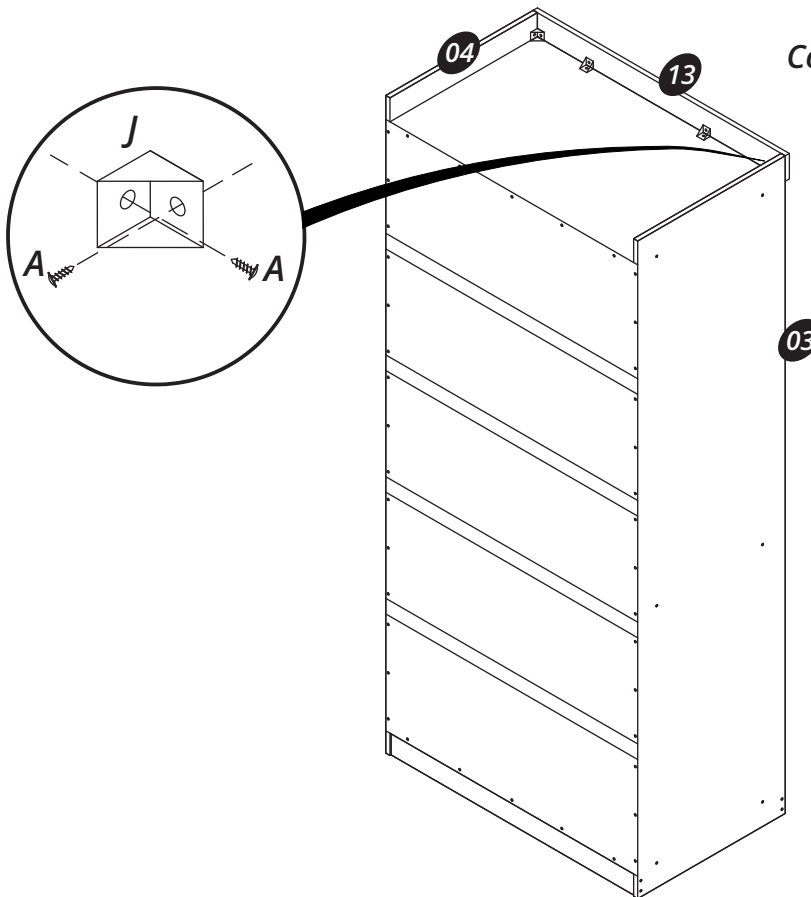


Step 06



Connect all the parts (14) joining with the part (15) and the hardware (I).

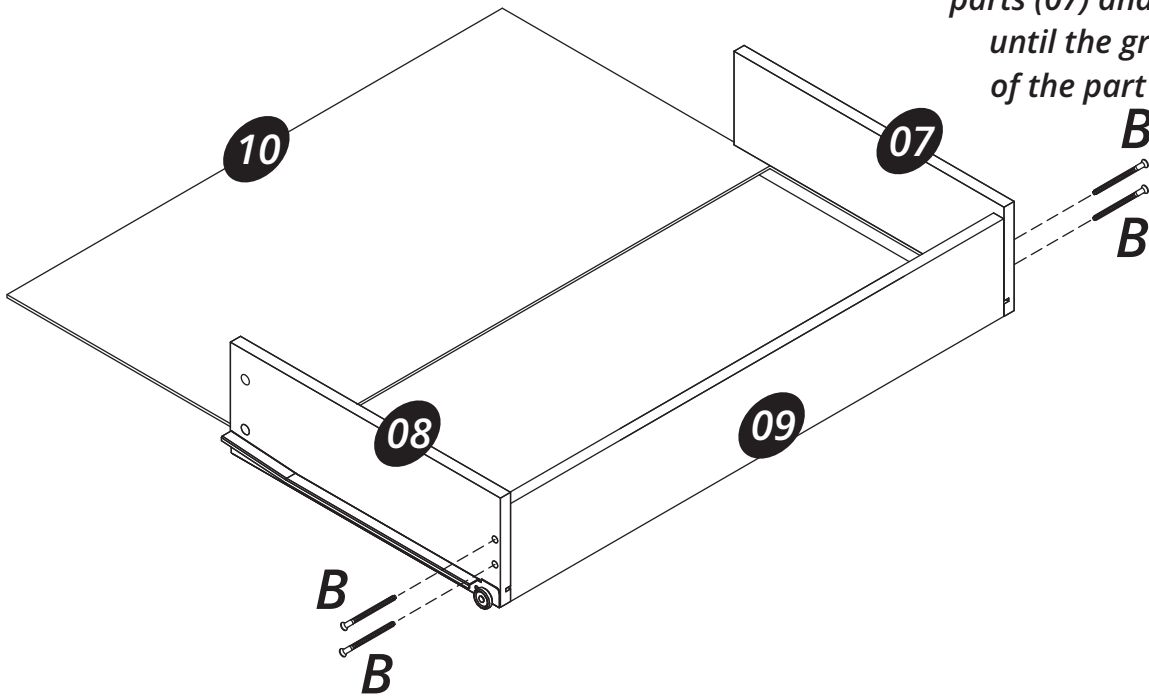
Step 07



Connect the part (13) onto the part (03) and the part (04) joining the corners with the hardware (J) with the hardware (A).

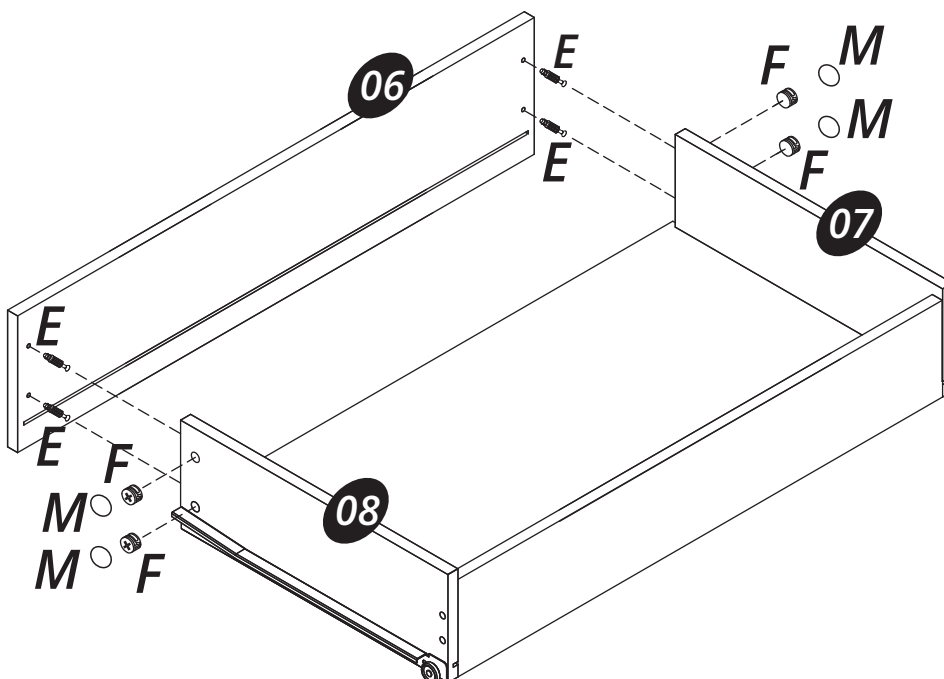
Step 08

Connect the parts (07), (08) and (09) with the hardware (B).
Apply the part (10) in the groove of the parts (07) and (08) until the groove of the part (09).



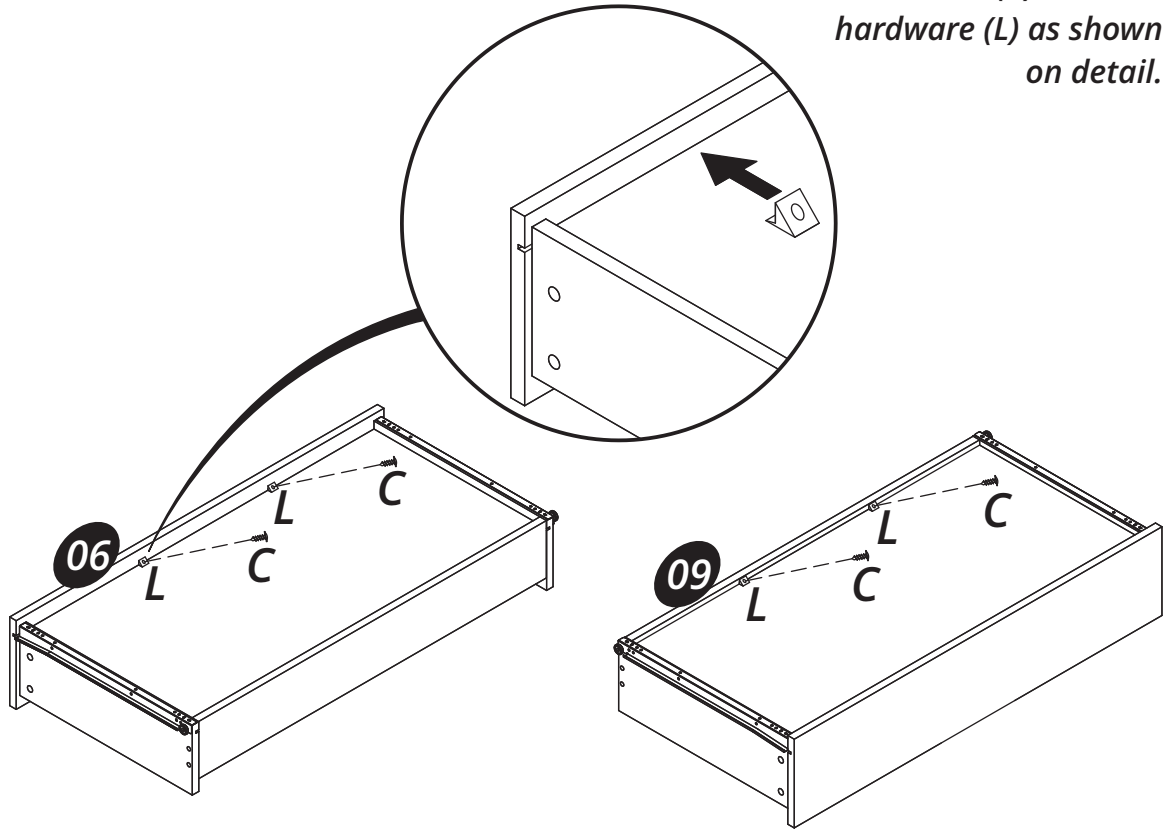
Step 09

Connect parts (07), (08) and (06) using the hardware (E + F).
Apply the hardware (M) on the hardware (F).



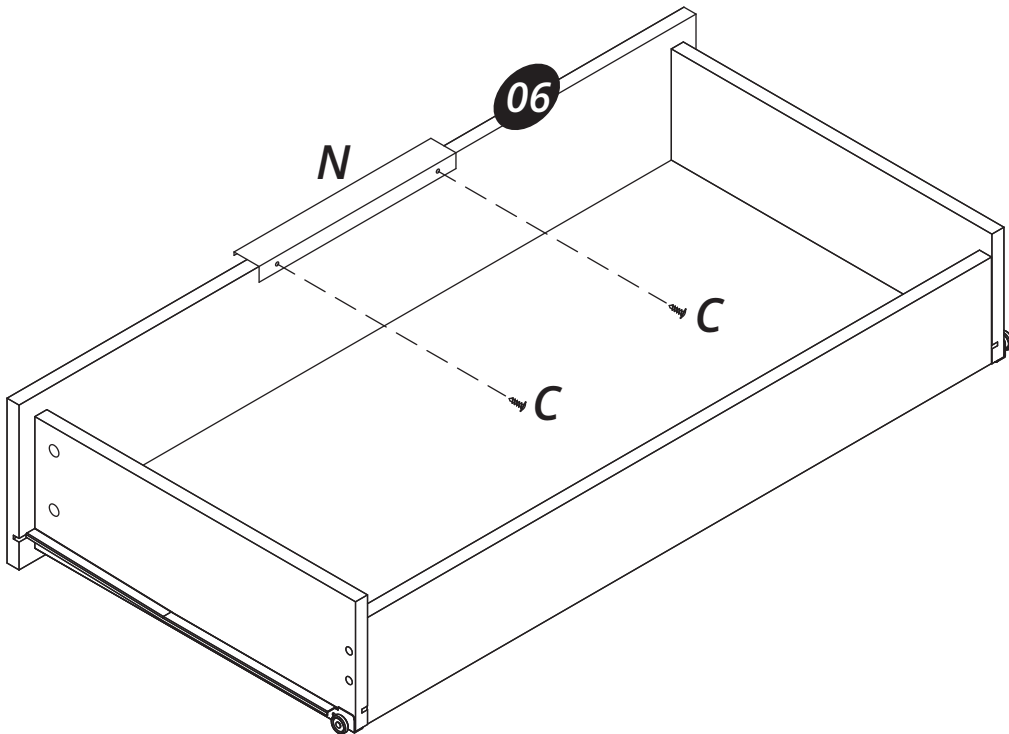
Step 10

Use the hardware (C) with the hardware (L) as shown on detail.

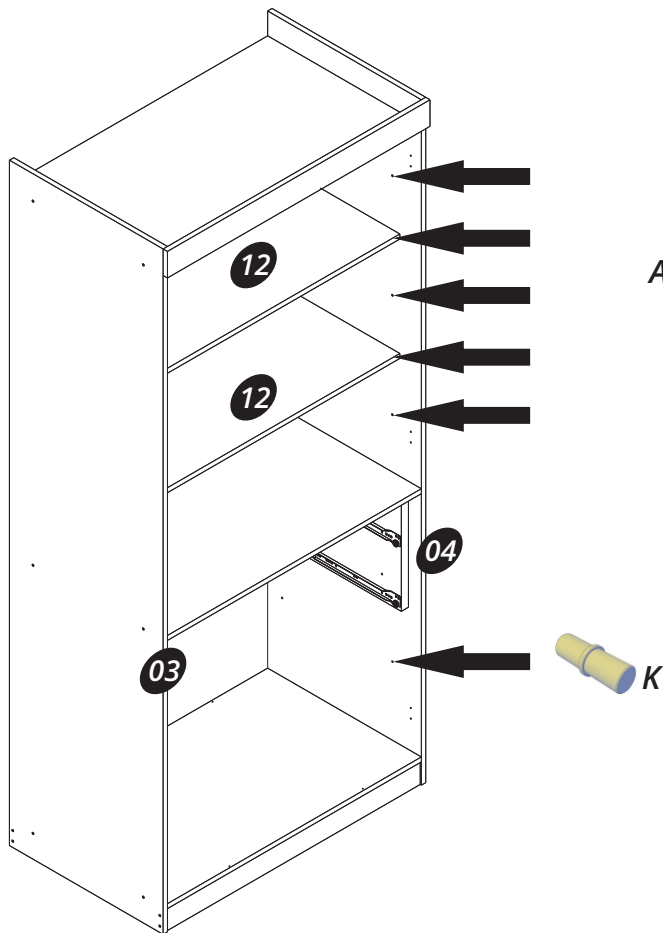


Step 11

Connect the hardware (N) onto the part (06) with the hardware (C).

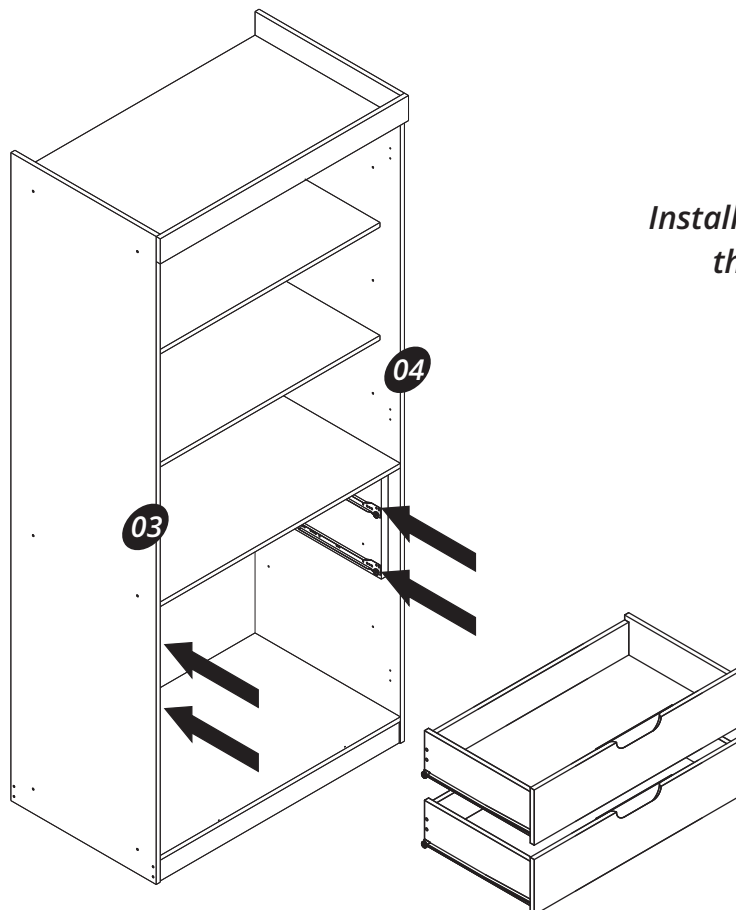


Step 12



Apply the hardware (K) into the part (03) and the part (04) to support the part (12).

Step 13

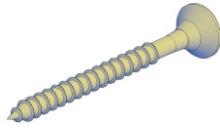


Install the drawer fitting it into the slides fixed on the side of parts (03) and (04).

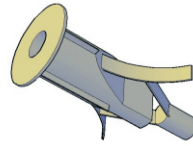
Attention! Tipover System



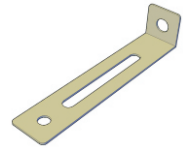
C = 04x



O = 02x

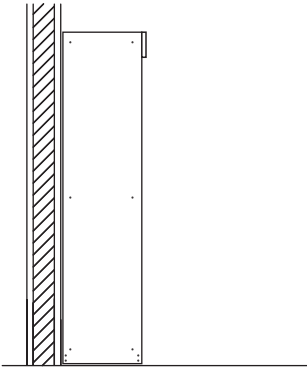


P = 02x

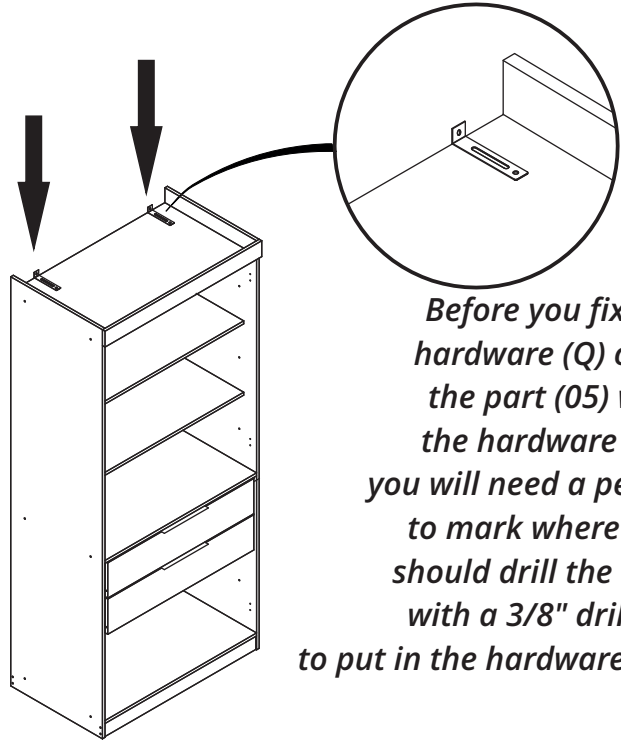


Q = 02x

wall

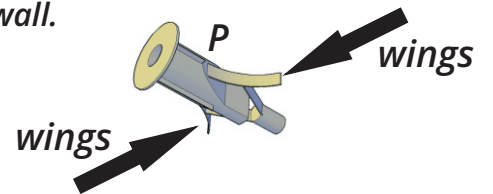


First, approach as close as possible to the wall

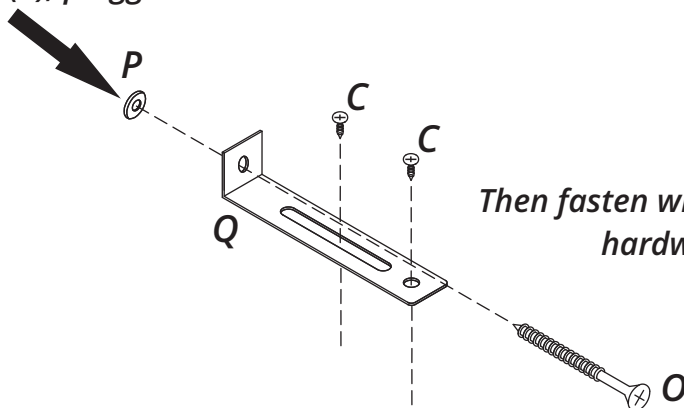


Before you fix the hardware (Q) onto the part (05) with the hardware (C), you will need a pencil to mark where you should drill the wall with a 3/8" drill bit to put in the hardware (P).

*press the hardware wings (P) to put in the hole that you drilled in the wall.



Hardware (P), plugged in the wall.



Then fasten with the hardware (C) the hardware (Q) on the part (11)