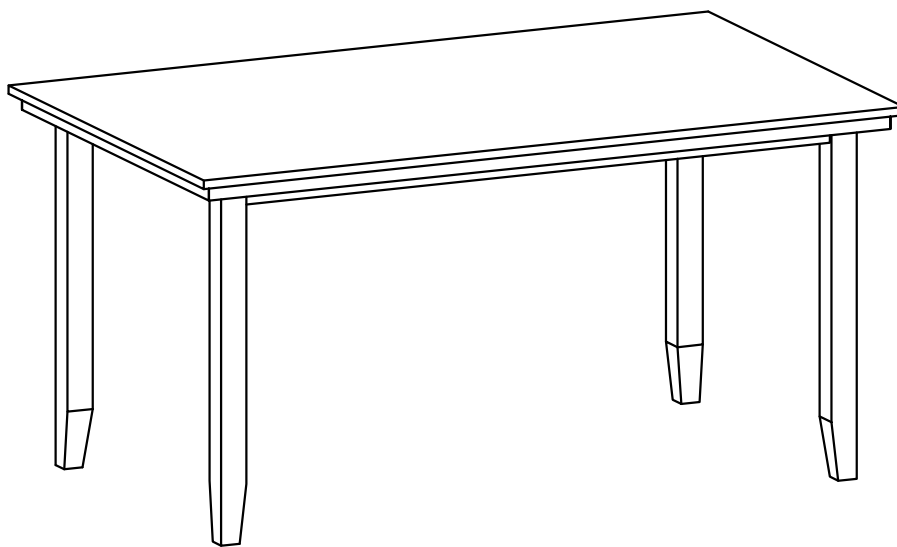
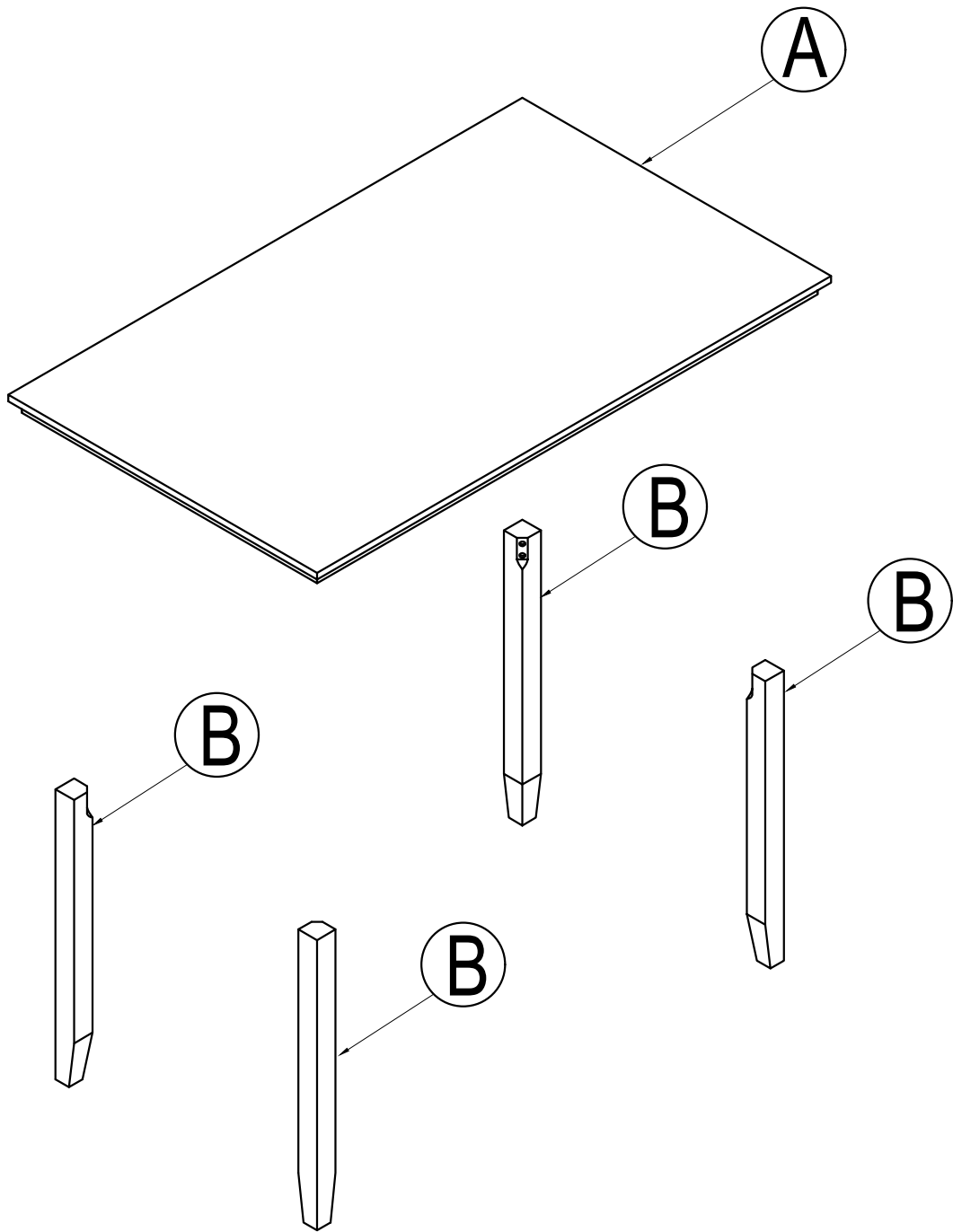


# ASSEMBLY INSTRUCTIONS




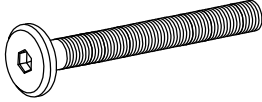
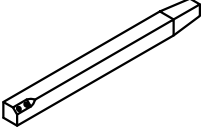

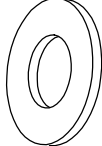

## IMPORTANT NOTE :

- ① PLACE ALL PARTS ON A CLEAN AND SMOOTH SURFACE SUCH AS A RUG OR CARPET TO AVOID THE PARTS FROM BEING SCRATCHED.
- ② BEFORE YOU BEGIN,KINDLY FOLLOW THE ASSEMBLY INSTRUCTIONS STEP BY STEP.
- ③ DO NOT TIGHTEN ALL SCREWS AND BOLTS UNTIL THE CHAIR IS FULLY SET-UP.

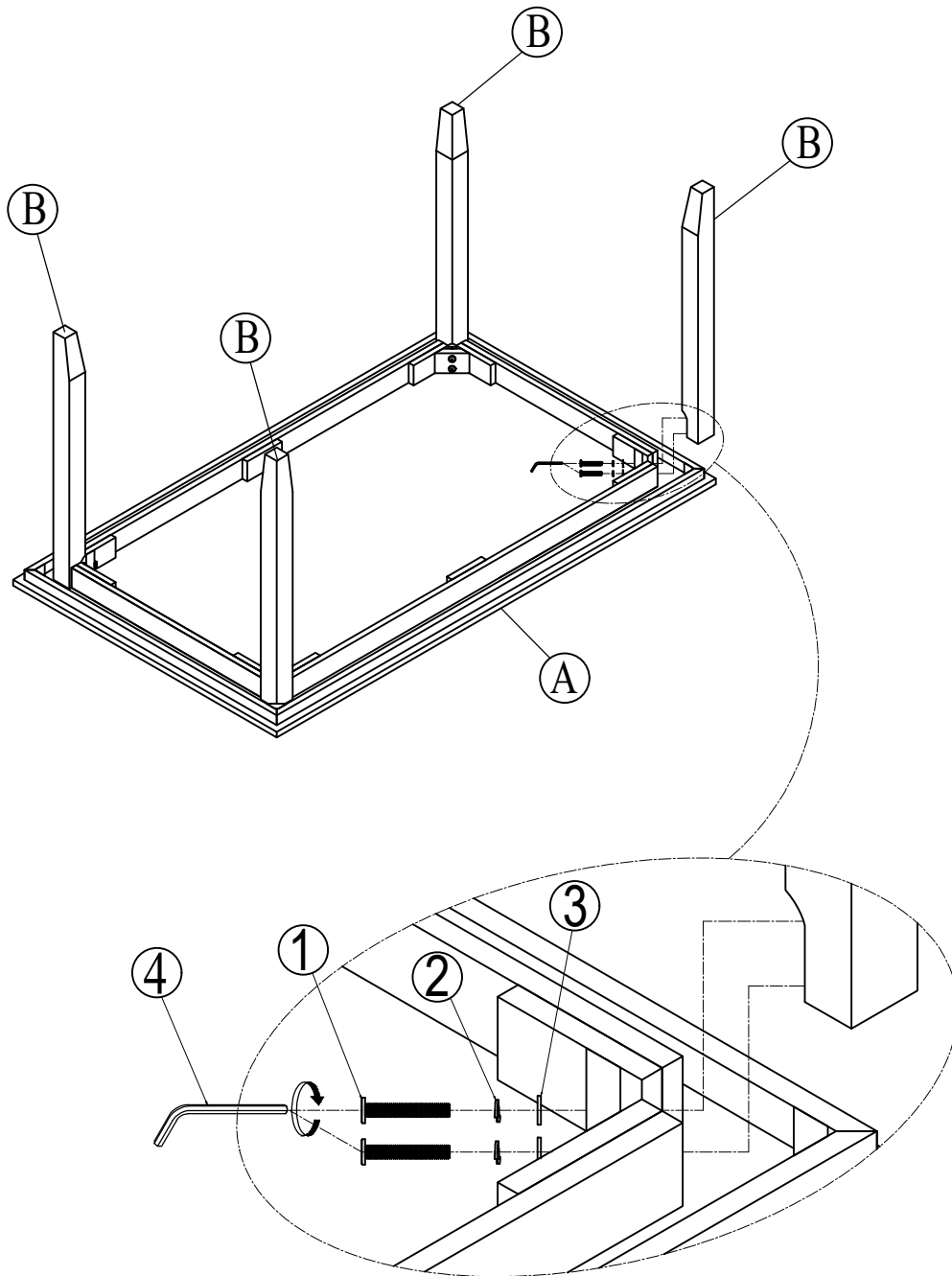


# Part List

# Hardware List

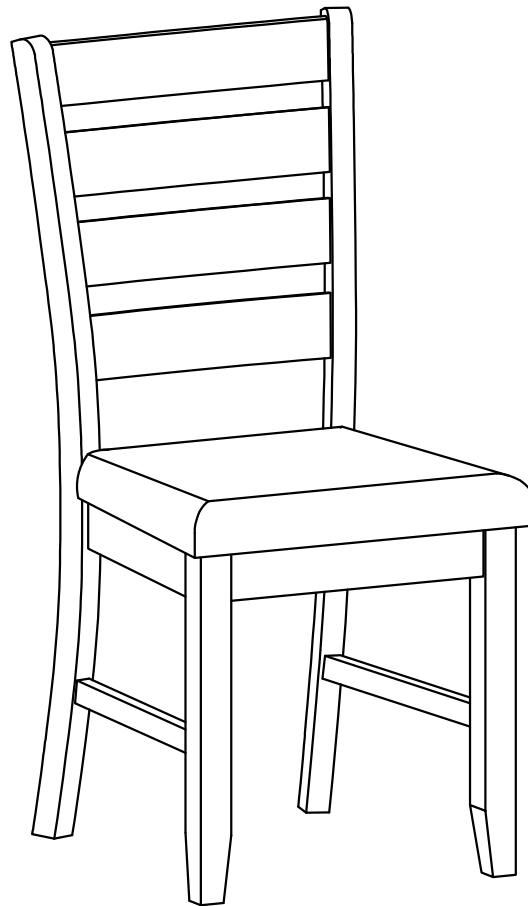
<p>Ⓐ</p>  <p>TABLE TOP (1 pc)</p>	<p>①</p>  <p>Ø 5/16" x 60 mm</p> <p>BOLT (8 pcs)</p>
<p>Ⓑ</p>  <p>TABLE LEG (4 pcs)</p>	<p>②</p>  <p>Ø5/16" x 13 mm</p> <p>FLAT WASHER (8 pcs)</p>
	<p>③</p>  <p>Ø5/16" x 19mm</p> <p>LOCK WASHER (8 pcs)</p>
	<p>④</p>  <p>4 mm</p> <p>ALLEN KEY (1 pc)</p>

# STEP 1:



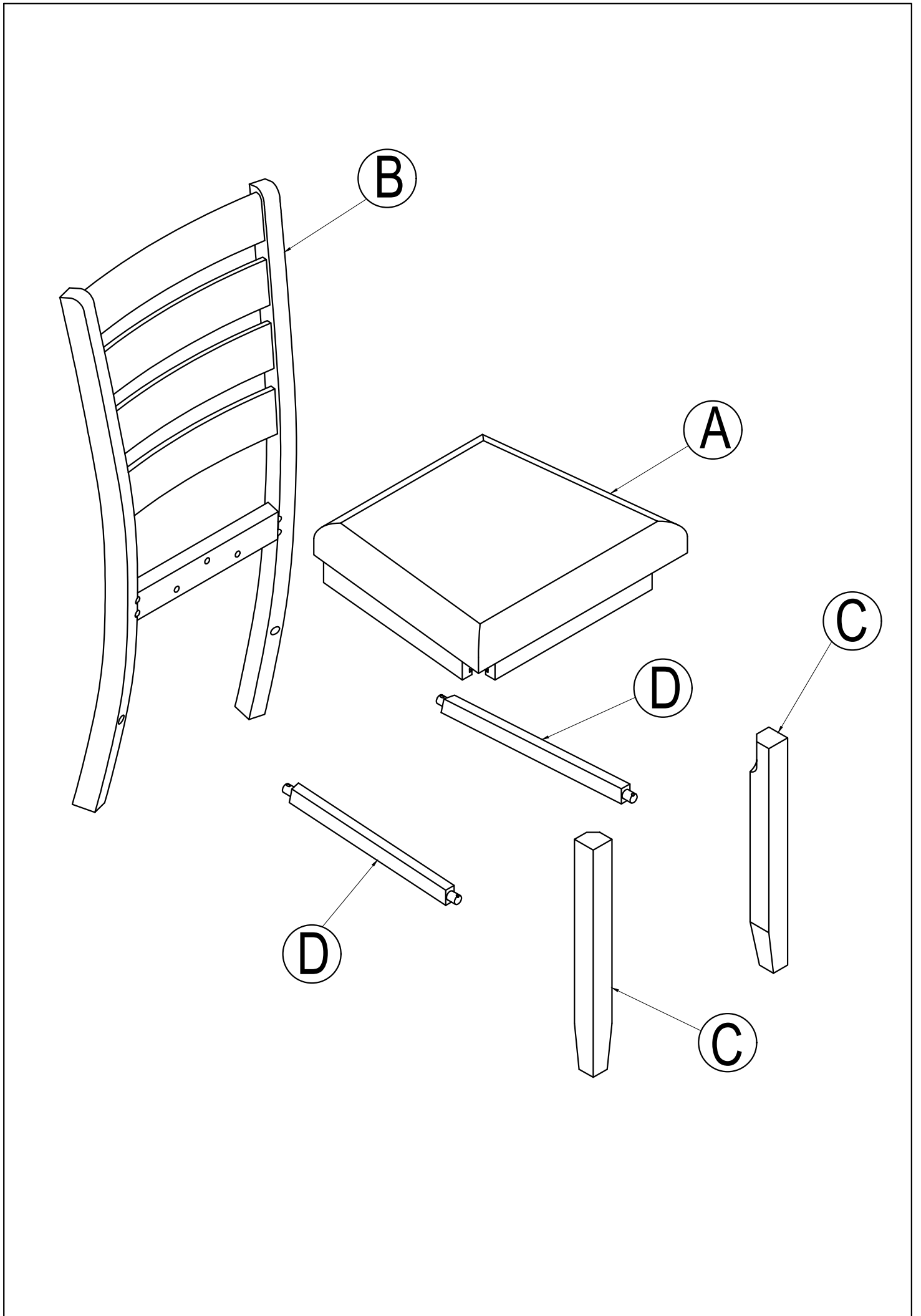
X4

# ASSEMBLY INSTRUCTIONS



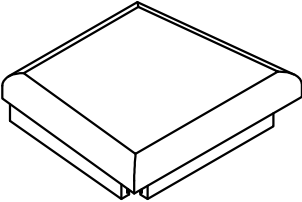
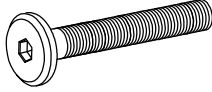
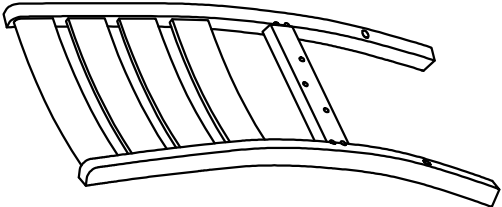
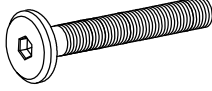
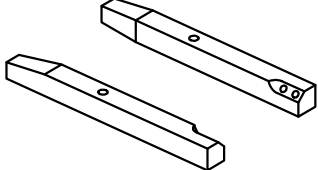
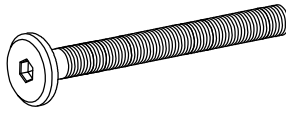
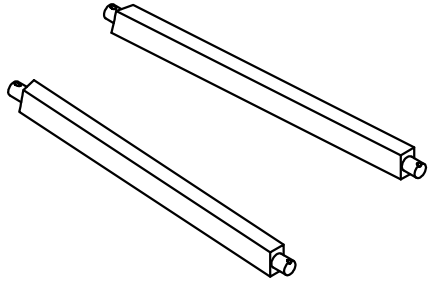

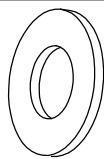

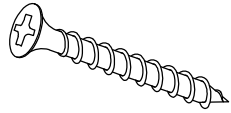
**IMPORTANT NOTE :**

- ① PLACE ALL PARTS ON A CLEAN AND SMOOTH SURFACE SUCH AS A RUG OR CARPET TO AVOID THE PARTS FROM BEING SCRATCHED.
- ② BEFORE YOU BEGIN,KINDLY FOLLOW THE ASSEMBLY INSTRUCTIONS STEP BY STEP.
- ③ DO NOT TIGHTEN ALL SCREWS AND BOLTS UNTIL THE CHAIR IS FULLY SET-UP.

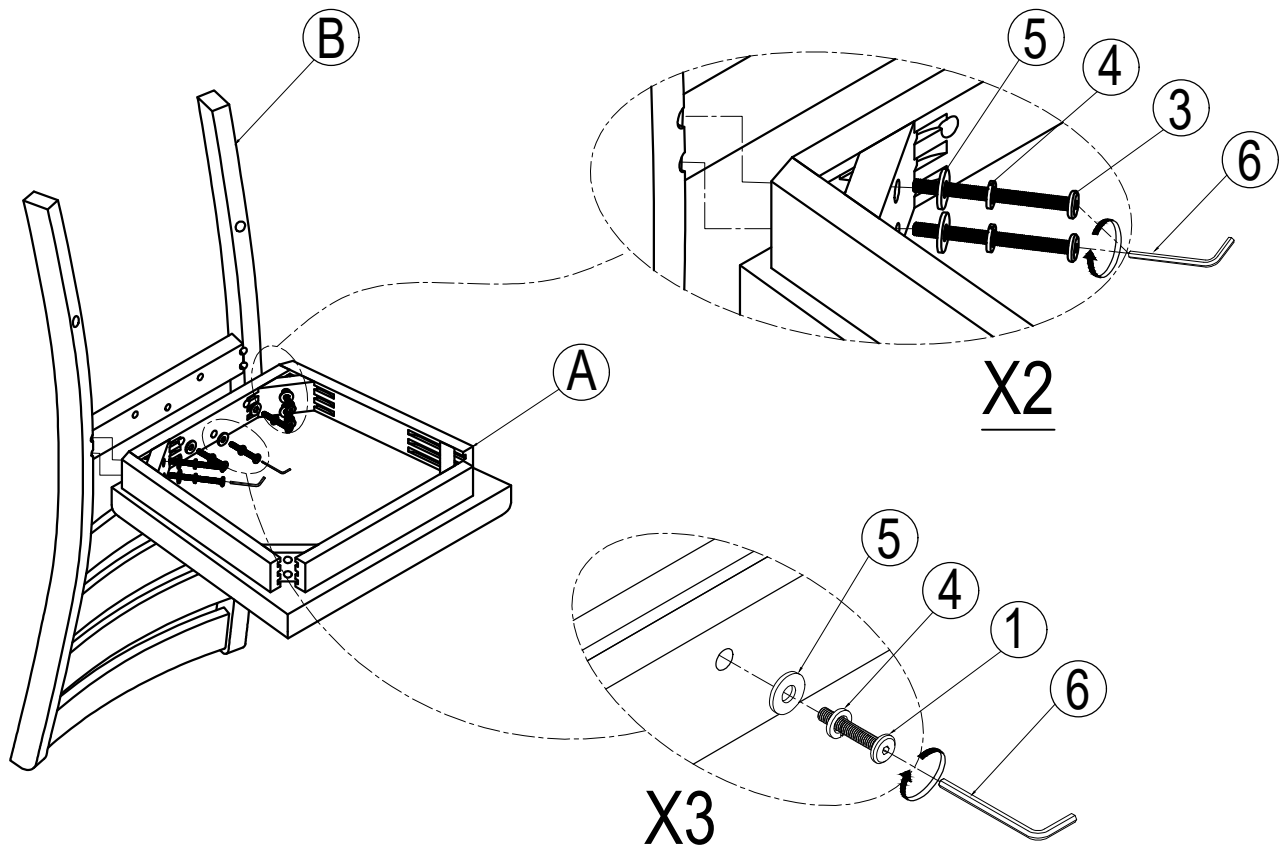


# Part List

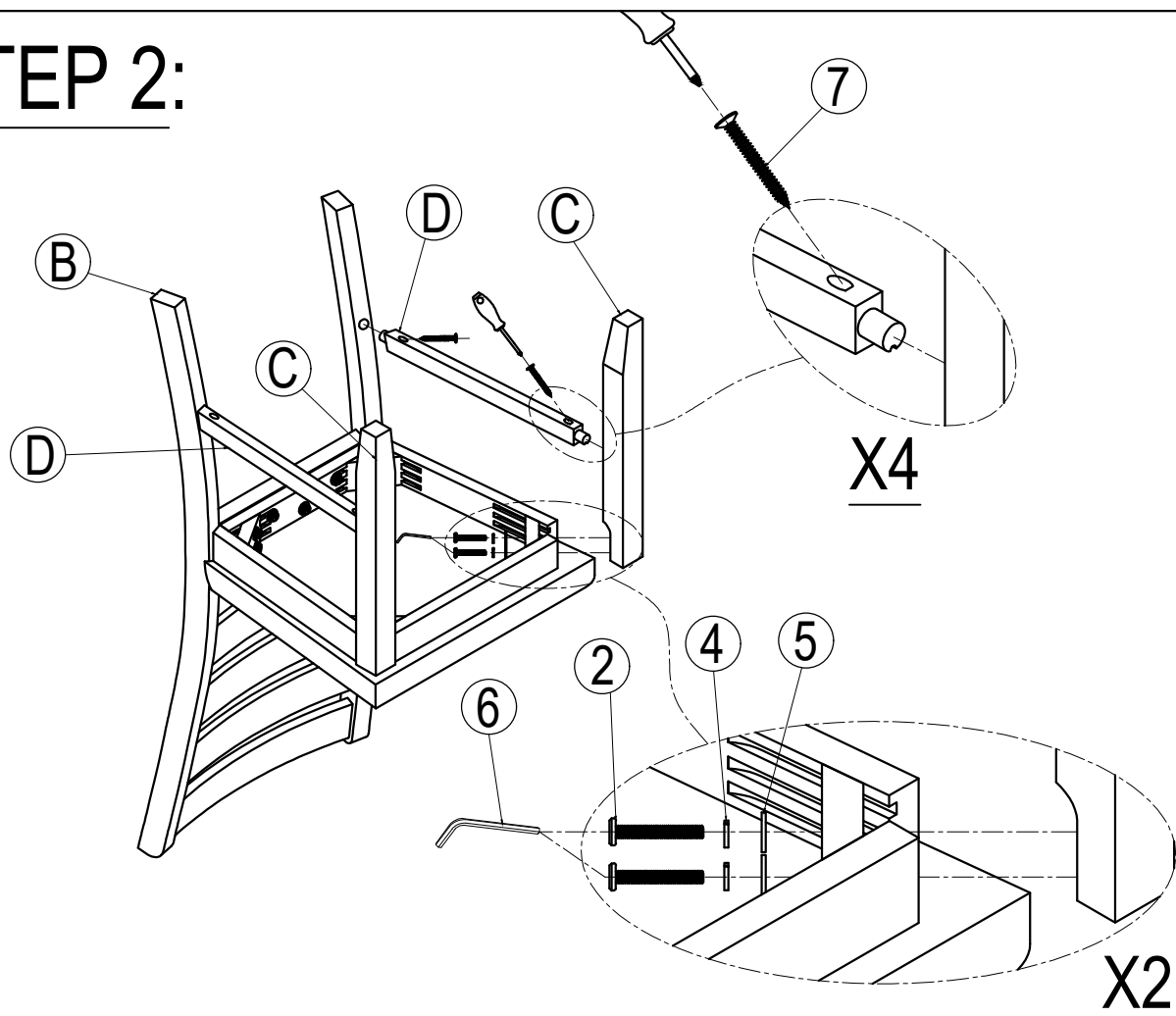
# Hardware List

<p><b>A</b></p> 	<p><b>1</b></p>  <p>Ø 1/4" x 40 mm</p>
<p>CUSHION SEAT (4 pcs)</p>	<p>BOLT (12 pcs)</p>
<p><b>B</b></p> 	<p><b>2</b></p>  <p>Ø 1/4" x 60 mm</p>
<p>CHAIR BACK (4 pcs)</p>	<p>BOLT (16 pcs)</p>
<p><b>C</b></p> 	<p><b>3</b></p>  <p>Ø 1/4" x 75 mm</p>
<p>FRONT LEGS (8 pcs) (Left / Right)</p>	<p>BOLT (16 pcs)</p>
<p><b>D</b></p> 	<p><b>4</b></p>  <p>Ø5/16" x 13 mm</p>
<p>SIDE STRETCHERS (8 pcs) (Left / Right)</p>	<p>FLAT WASHER (44 pcs)</p>
<p><b>5</b></p>  <p>Ø5/16" x 19 mm</p>	<p>LOCK WASHER (44 pcs)</p>
<p><b>6</b></p>  <p>4 mm</p>	<p>ALLEN KEY (1 pc)</p>
<p><b>7</b></p>  <p># 4 x 38 mm</p>	<p>WOOD SCREWS (16 pcs)</p>

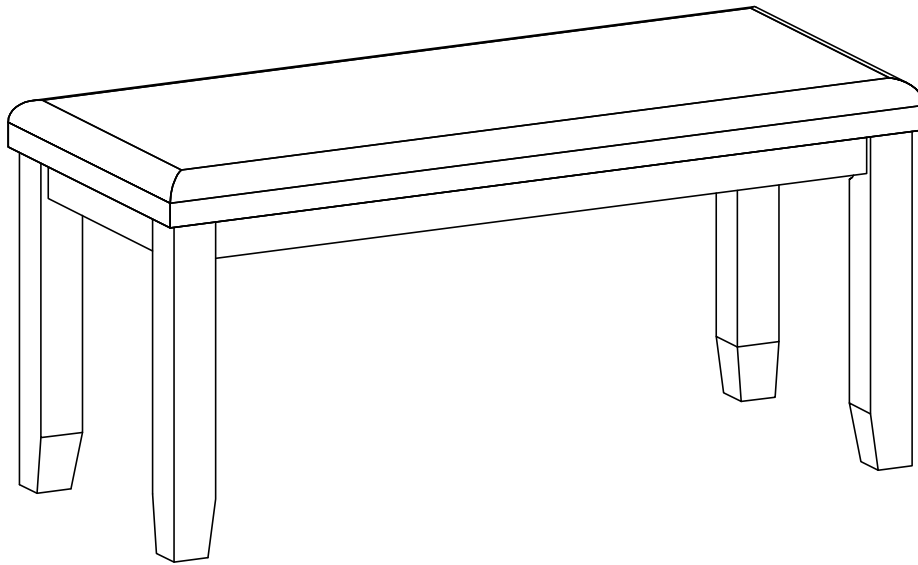
# STEP 1:



# STEP 2:

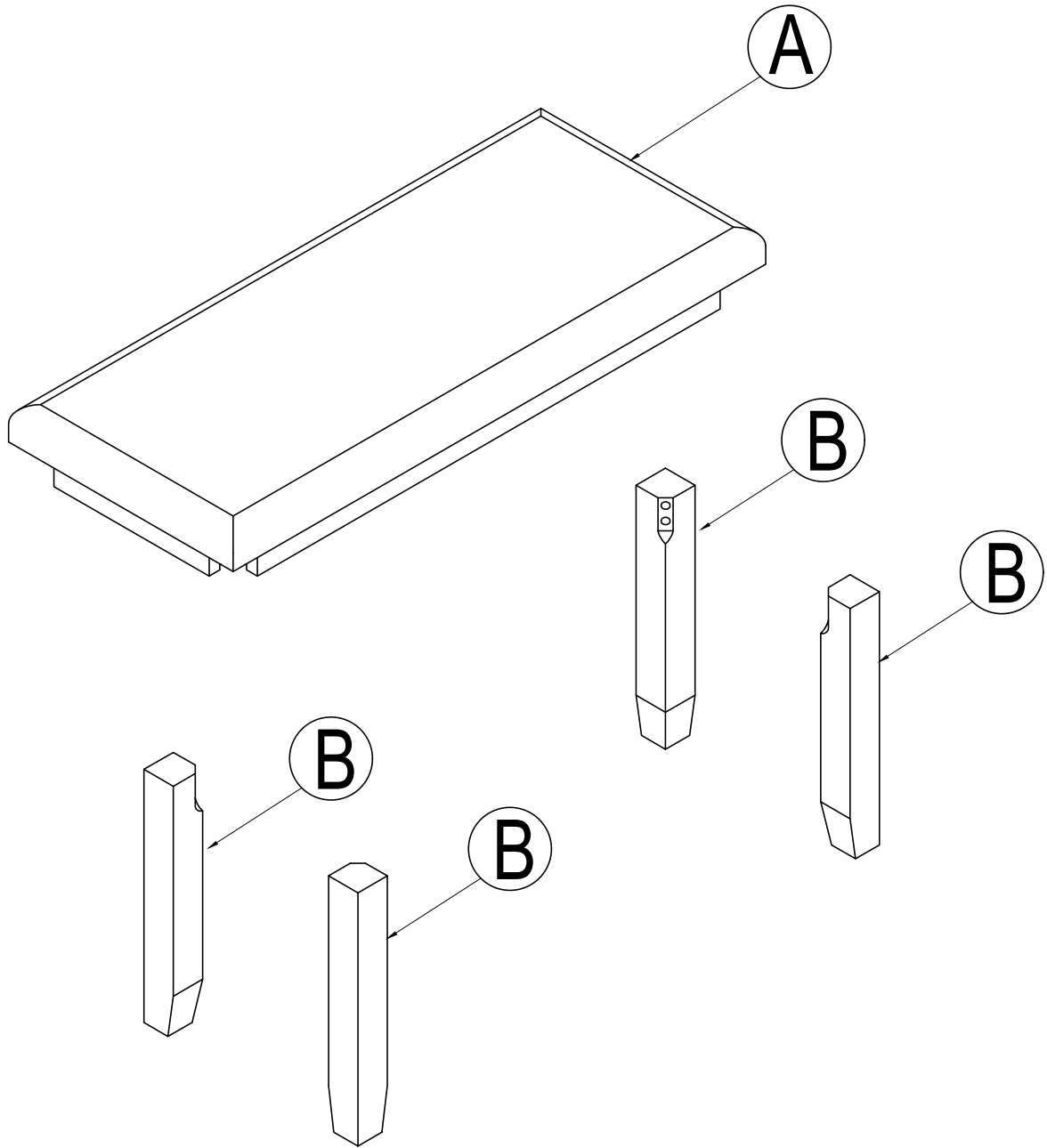


# ASSEMBLY INSTRUCTIONS



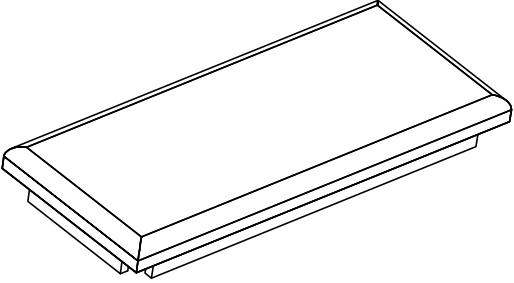
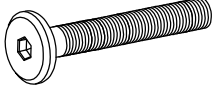
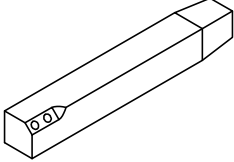

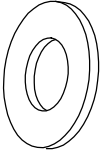

**IMPORTANT NOTE :**

- ① PLACE ALL PARTS ON A CLEAN AND SMOOTH SURFACE SUCH AS A RUG OR CARPET TO AVOID THE PARTS FROM BEING SCRATCHED.
- ② BEFORE YOU BEGIN, KINDLY FOLLOW THE ASSEMBLY INSTRUCTIONS STEP BY STEP.
- ③ DO NOT TIGHTEN ALL SCREWS AND BOLTS UNTIL THE CHAIR IS FULLY SET-UP.



# Part List

# Hardware List

<p>Ⓐ</p> 	<p>①</p>  <p>Ø1/4" x 60 mm</p>
<p>BENCH CUSHION SEAT (1 pc)</p>	<p>BOLT (8 pcs)</p>
<p>Ⓑ</p> 	<p>②</p>  <p>Ø5/16" x 13 mm</p>
<p>BENCH LEG (4 pcs)</p>	<p>FLAT WASHER (8 pcs)</p>
	<p>③</p>  <p>Ø5/16" x 19 mm</p>
	<p>LOCK WASHER (8 pcs)</p>
	<p>④</p>  <p># 4 x 38 mm</p>
	<p>ALLEN KEY (1 pc)</p>

# STEP 1:

