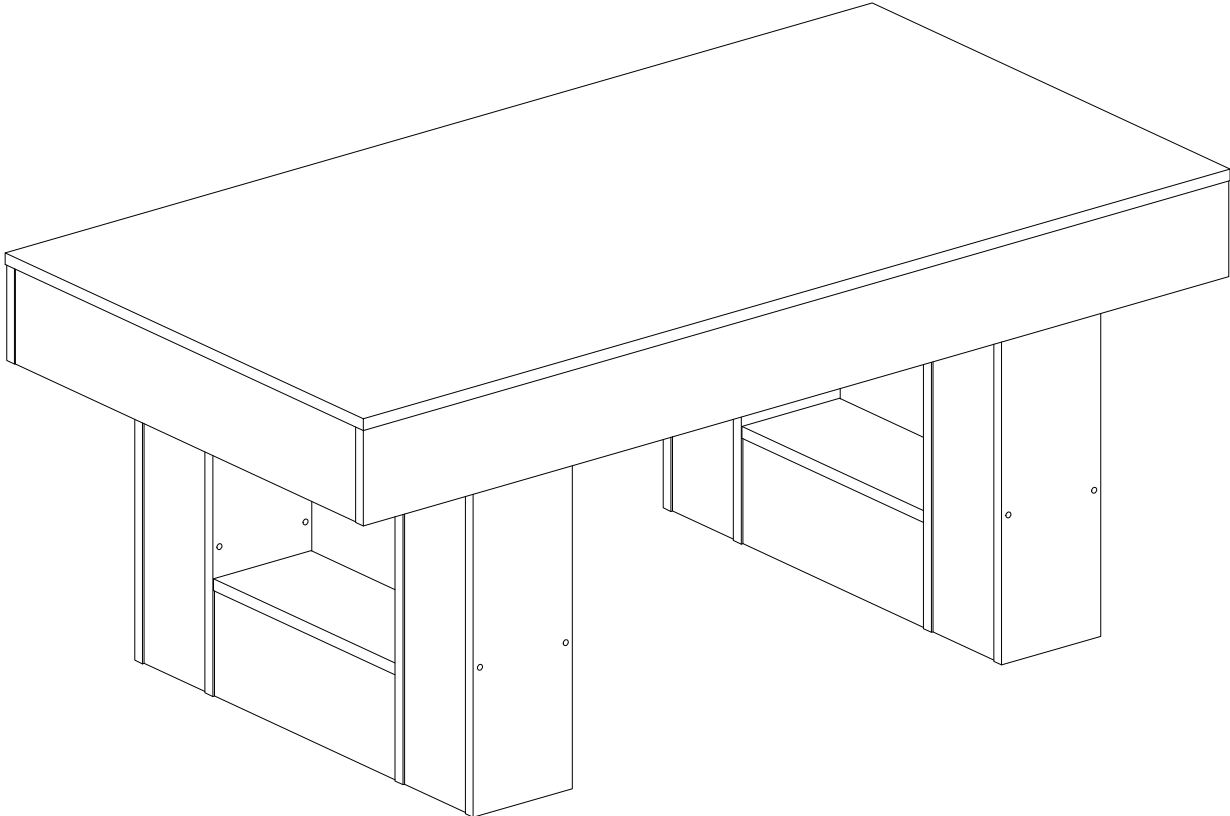
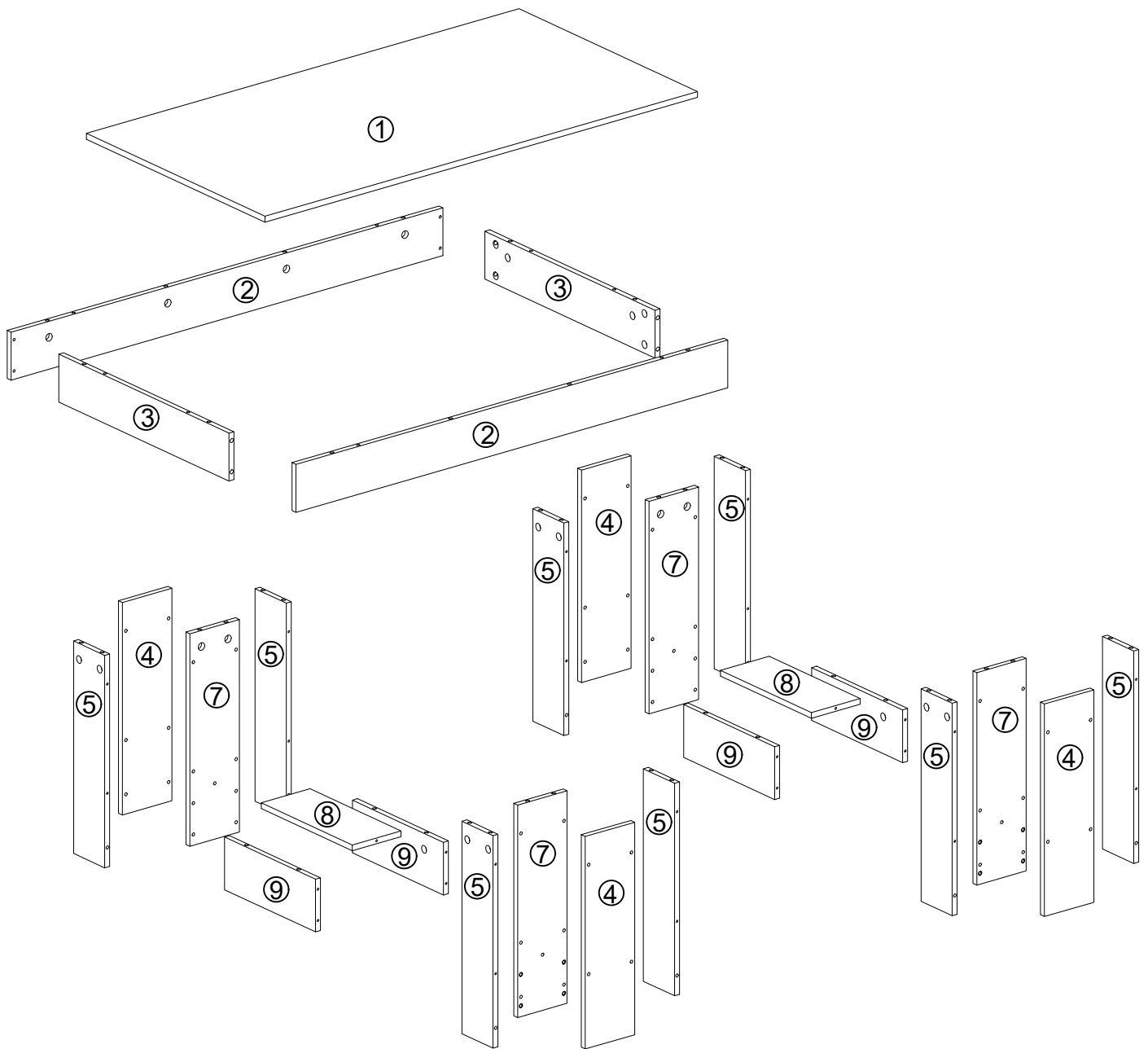
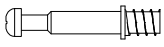

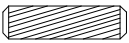

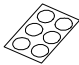

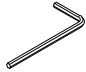


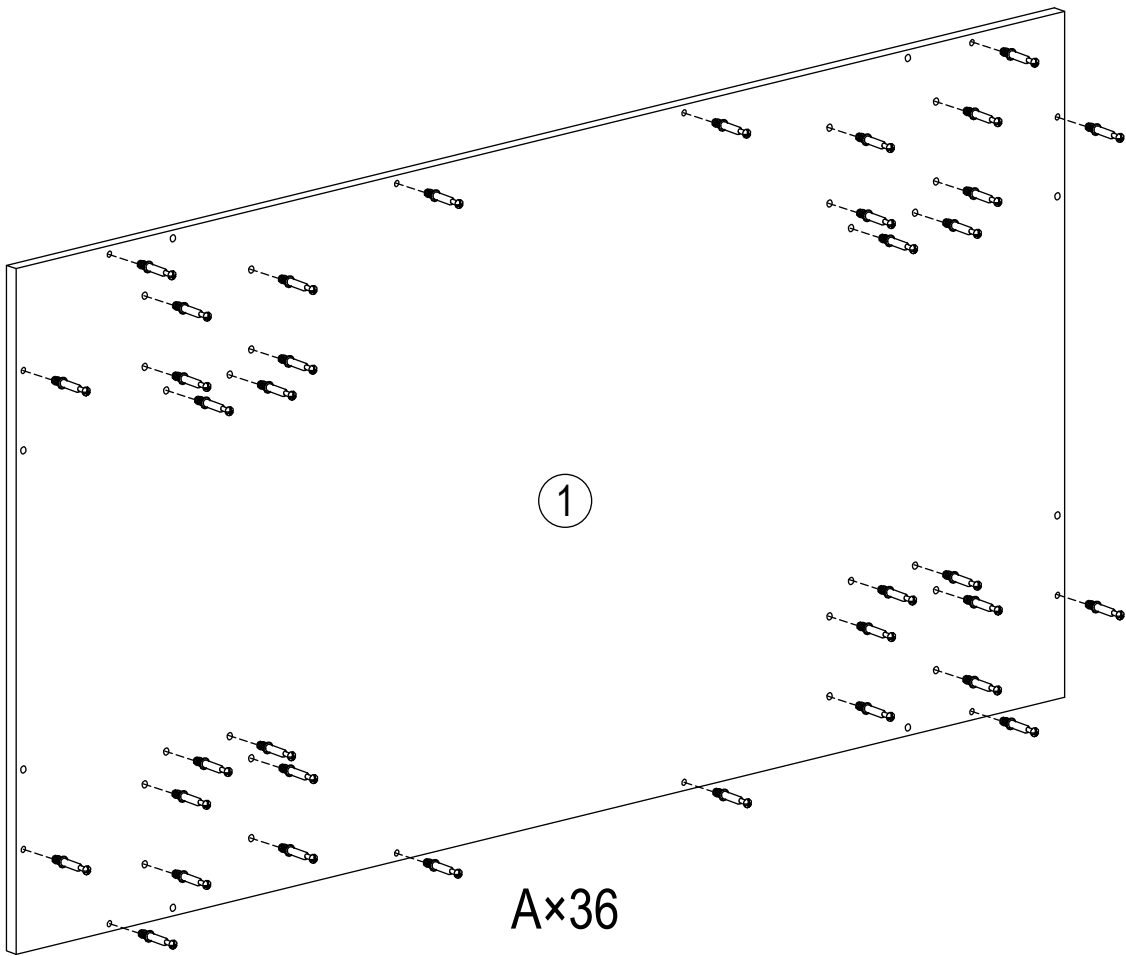
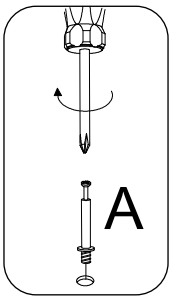
ASSEMBLY INSTRUCTIONS

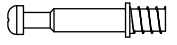




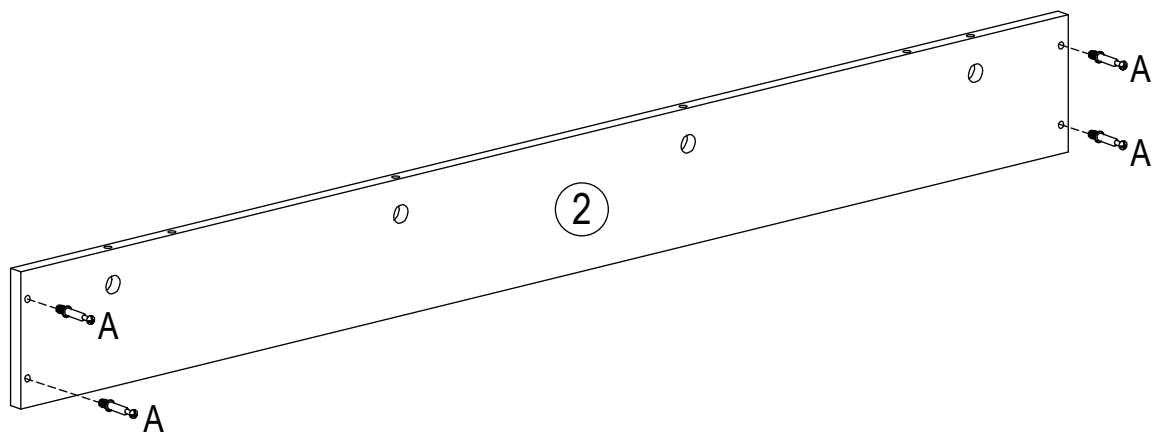
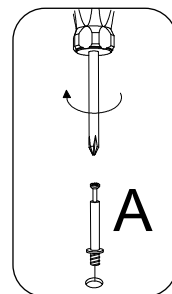
A	x52+3	B	x52+3	C	x24+2	D	x1	E	x3	F	x52+3	G	x1
													
Ø6×40mm		Ø15×9.3mm		Ø6×30mm		M4×60×25mm		Ø20mm		Ø5×38mm		M3×60×25mm	

STEP 1



A	×36
	
Ø6×40mm	

STEP 2

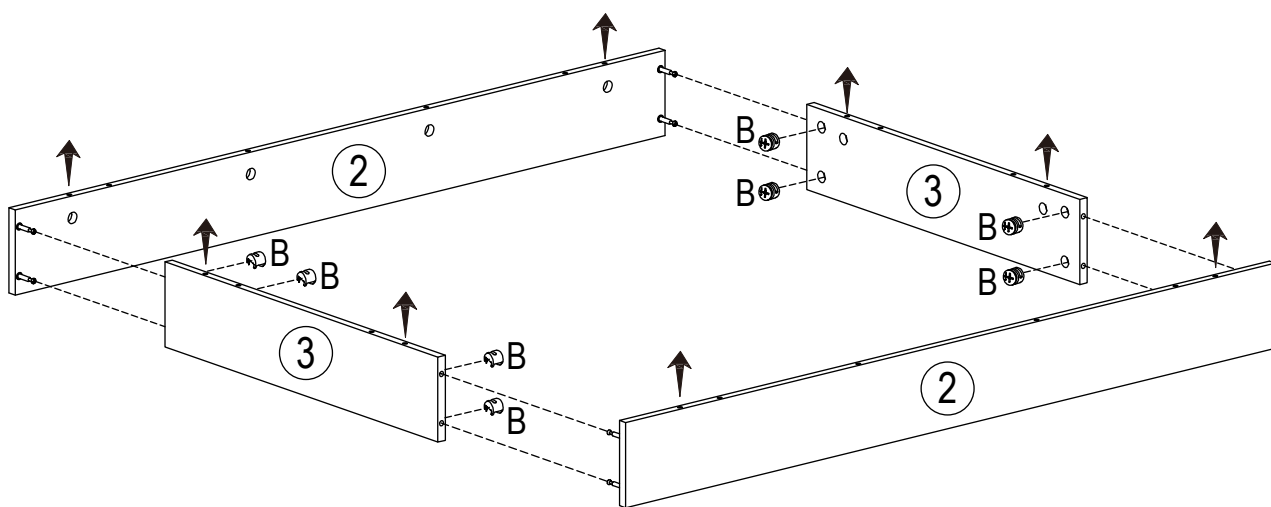


x2

A	x8
Ø6×40mm	

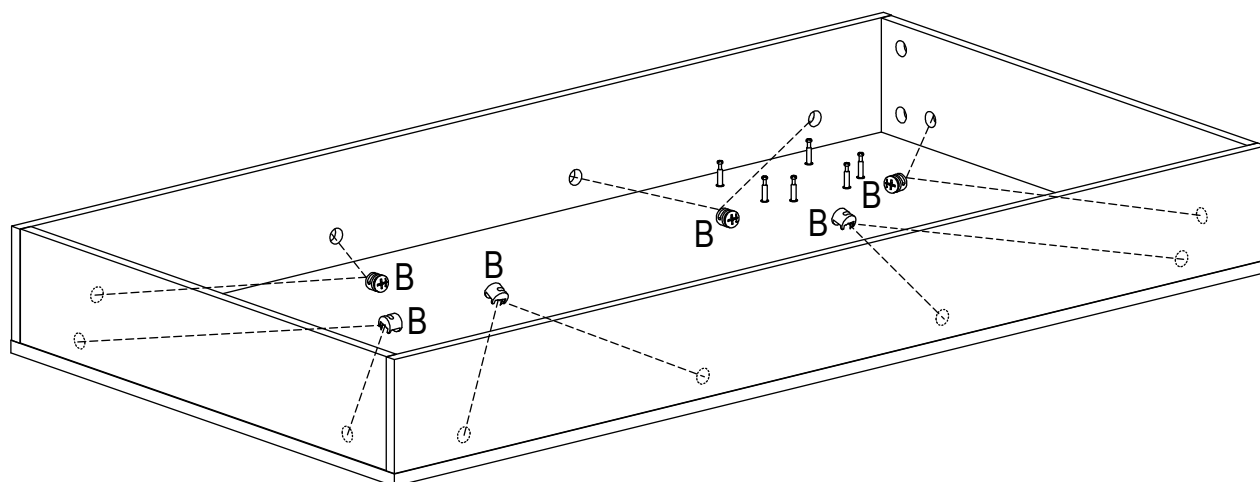
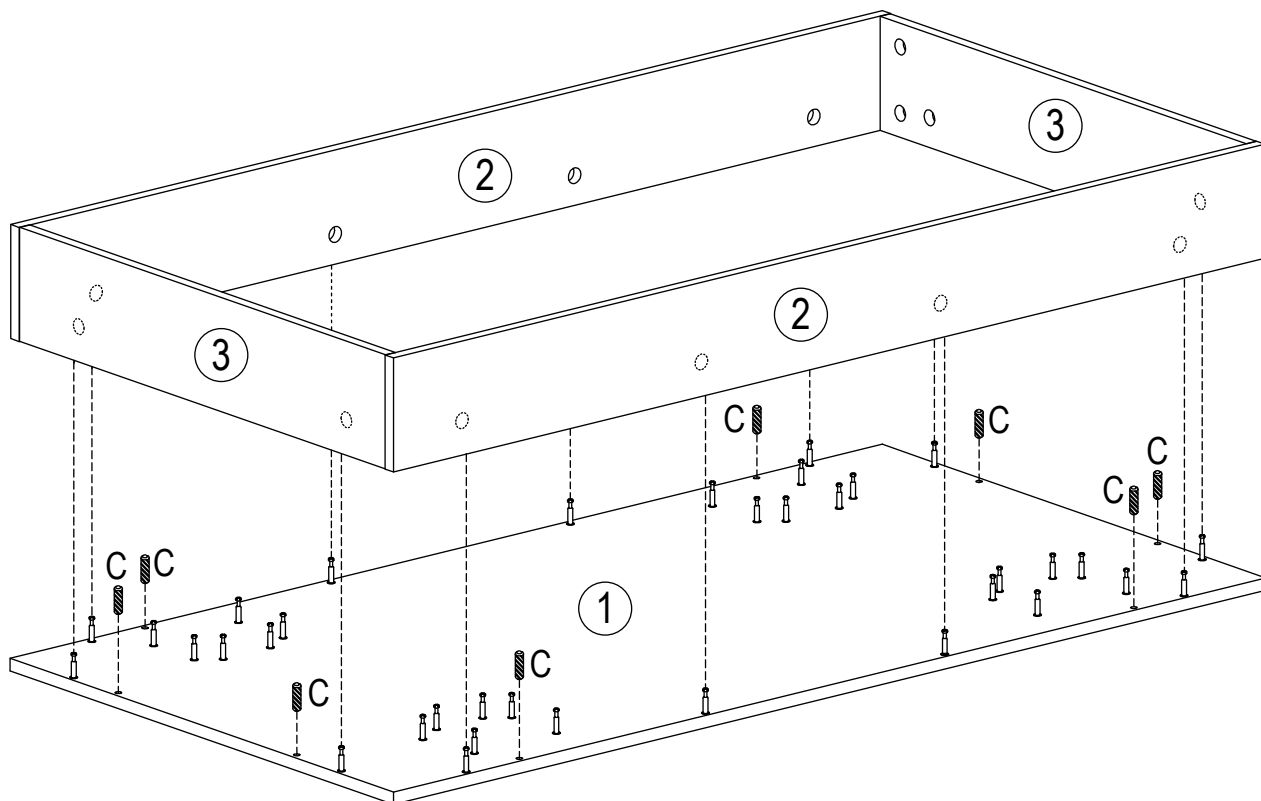
STEP 3



Please note that above the holes.



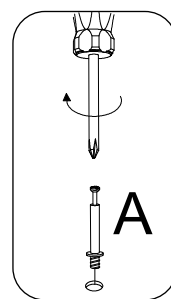
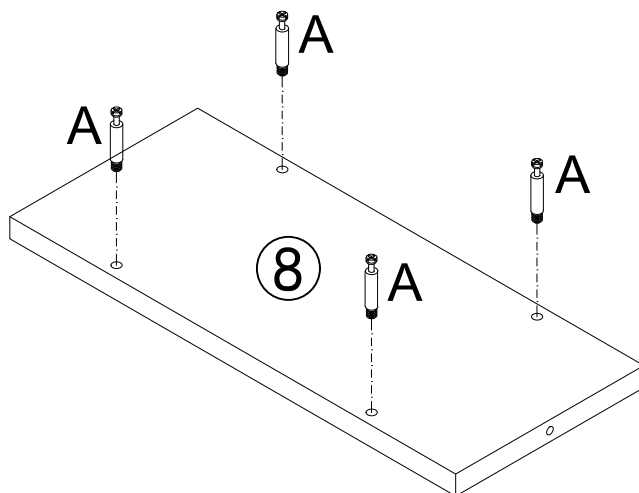
B	x8
Ø15×9.3mm	

STEP 4




B	x12	C	x8
			
Ø15x9.3m		Ø6x30mm	

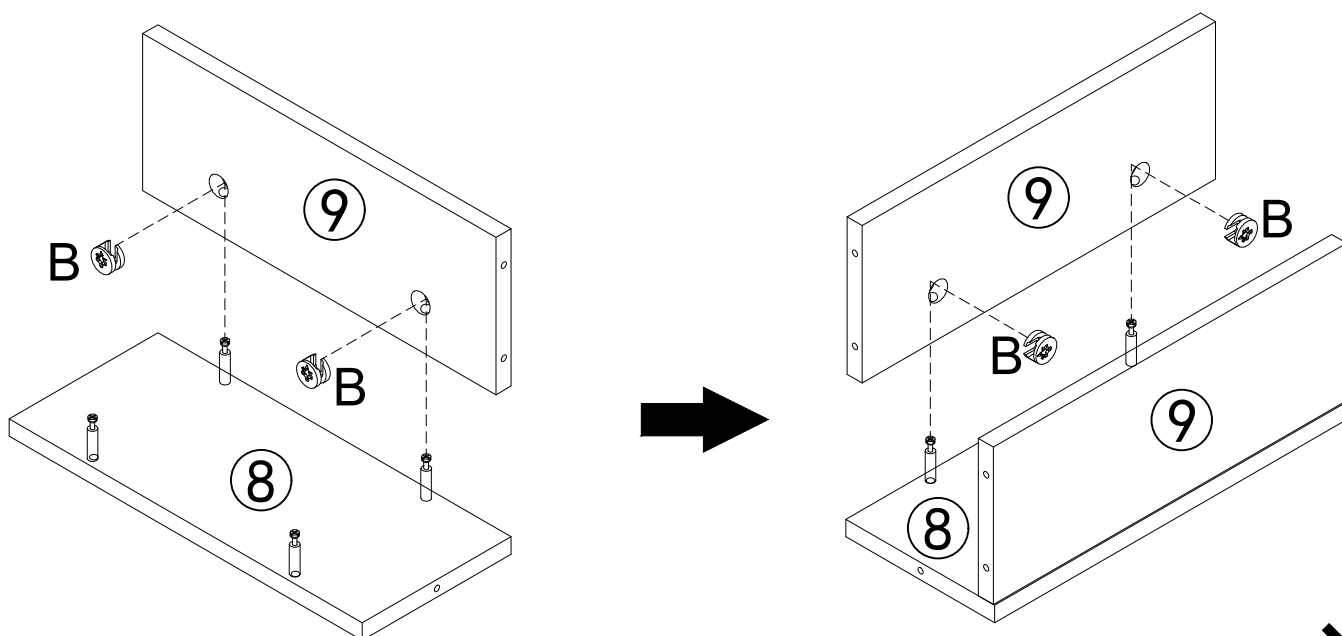
STEP 5




x2

A	x8
	
Ø15x9.3mm	

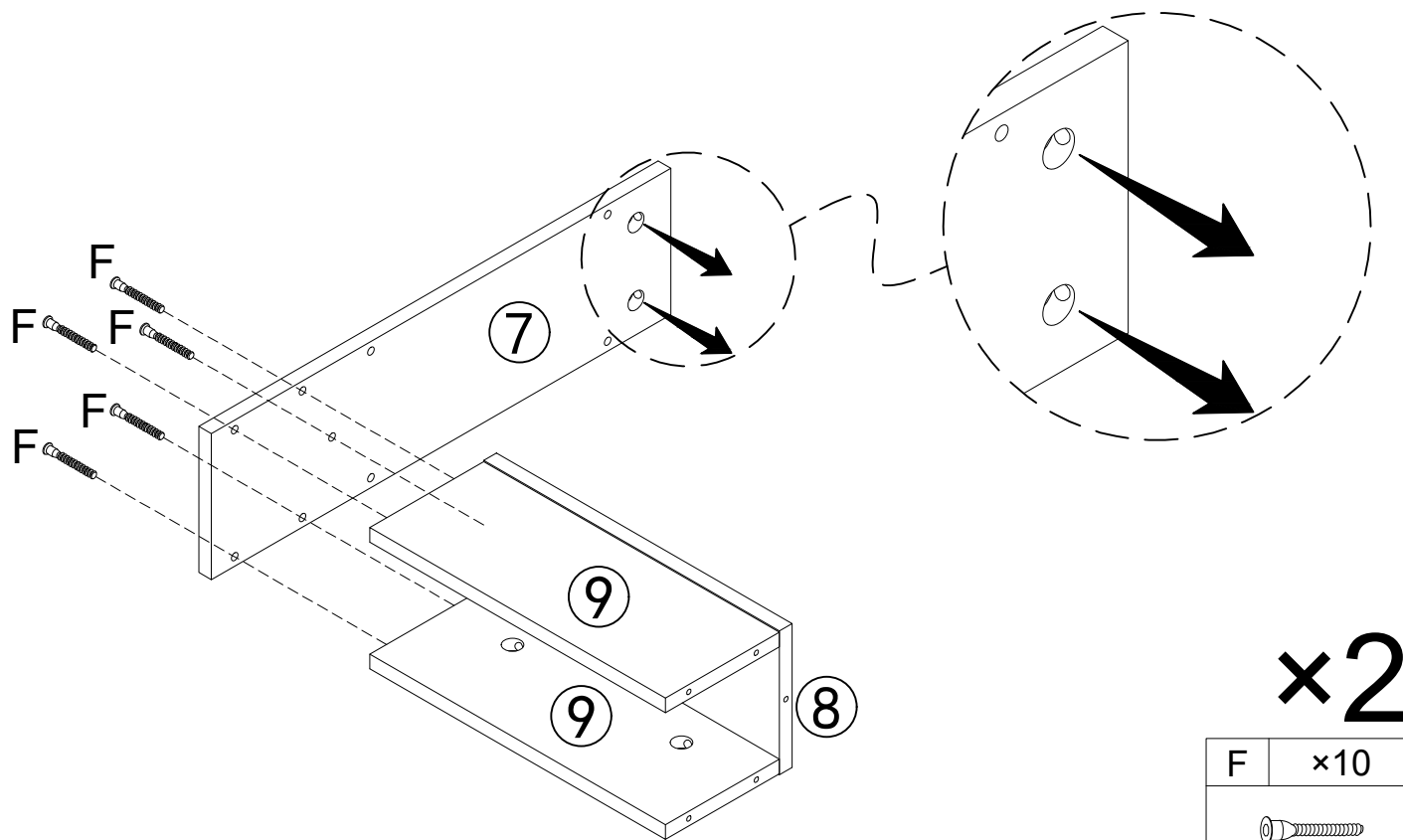
STEP 6



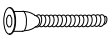
x2

B	x8
	
Ø15x9.3mm	

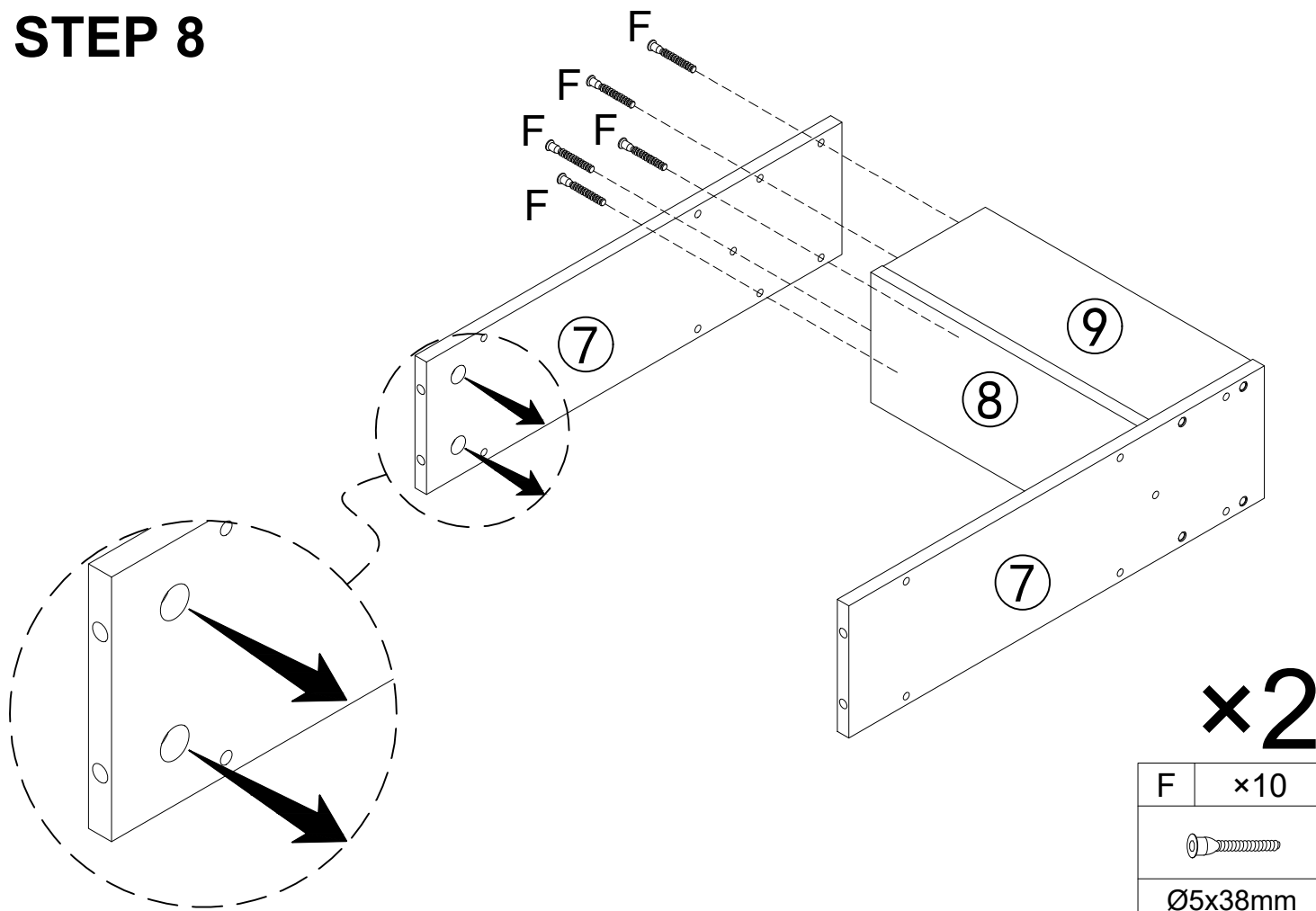
STEP 7



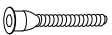
x2

F	x10
	
Ø5x38mm	

STEP 8

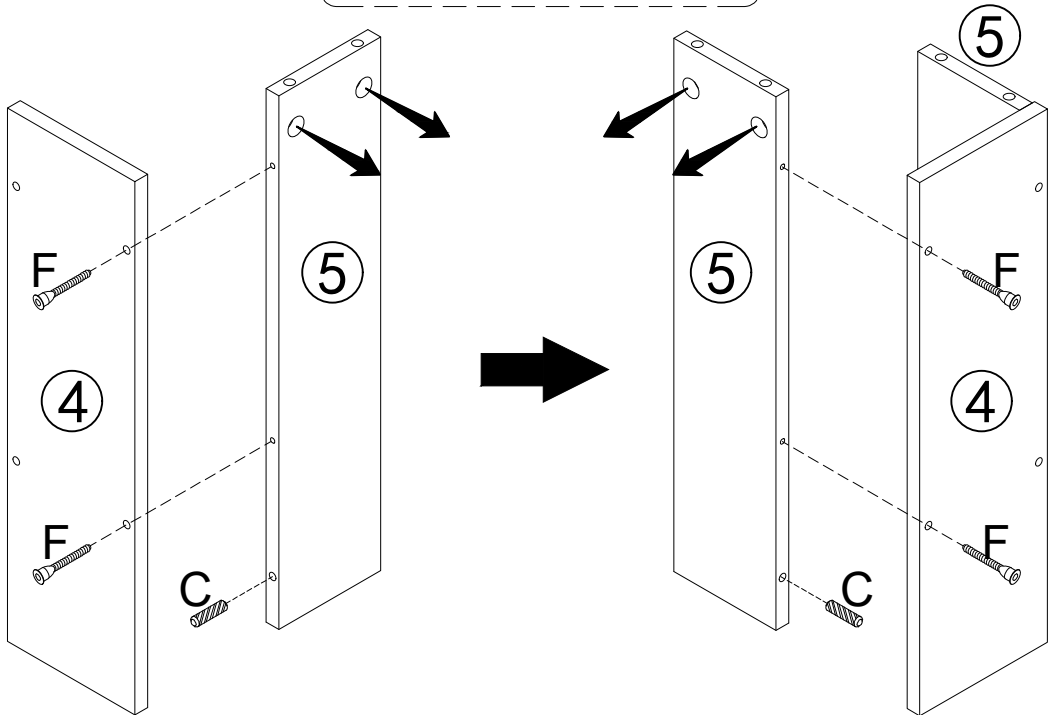


x2


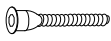
F	x10
	
Ø5x38mm	

STEP 9

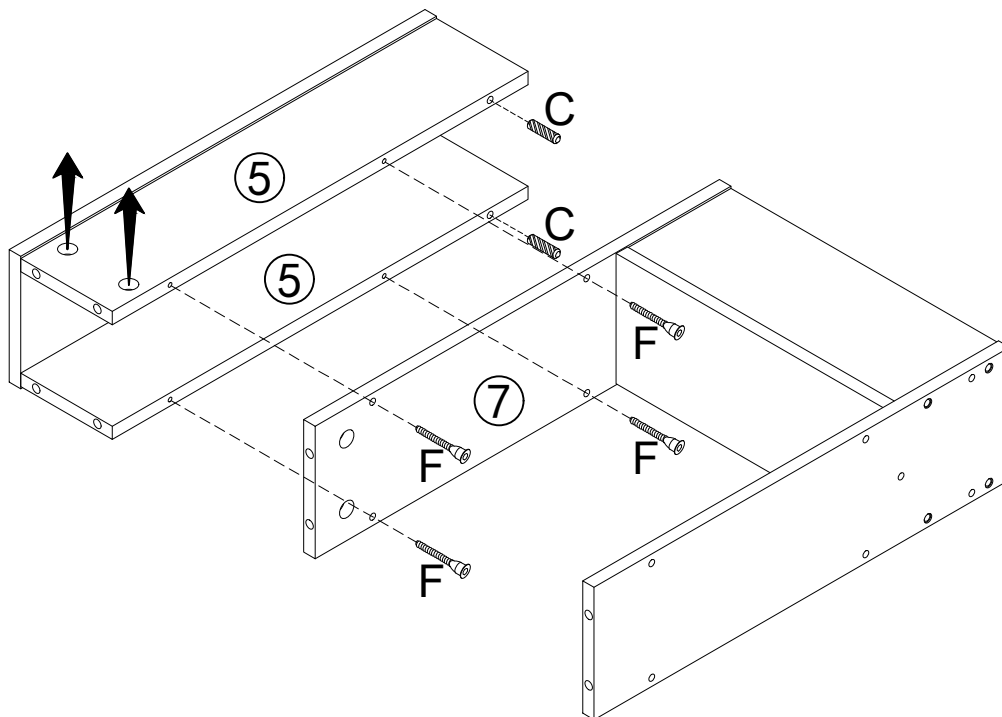
Please ensure that the holes face outward.





x4

C	x8	F	x16
			
Ø6x30mm		Ø5x38mm	

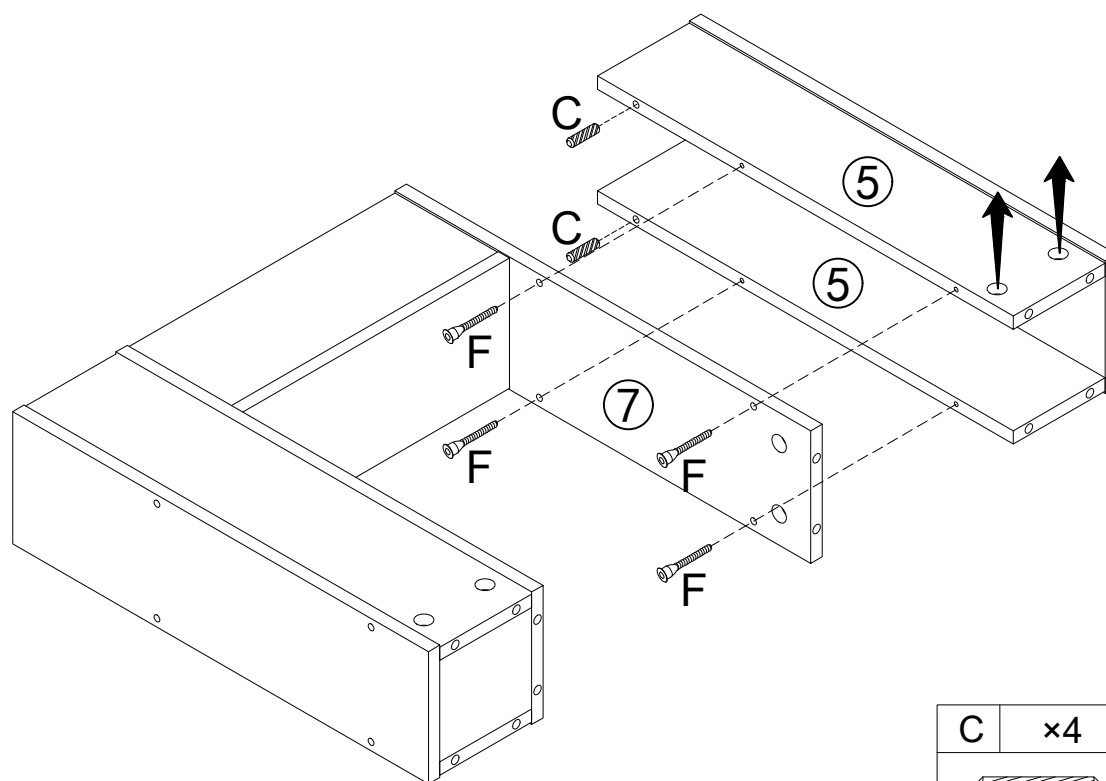
STEP 10





x2

C	x4	F	x8
			
Ø6x30mm		Ø5x38mm	

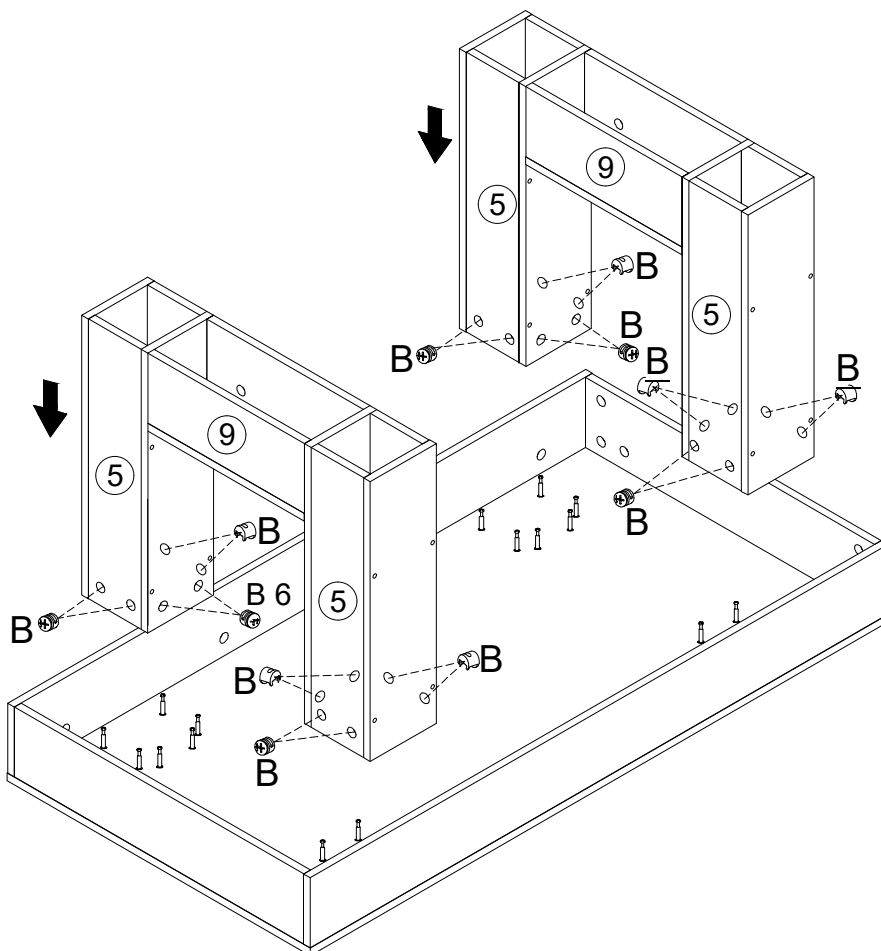
STEP 11




×2

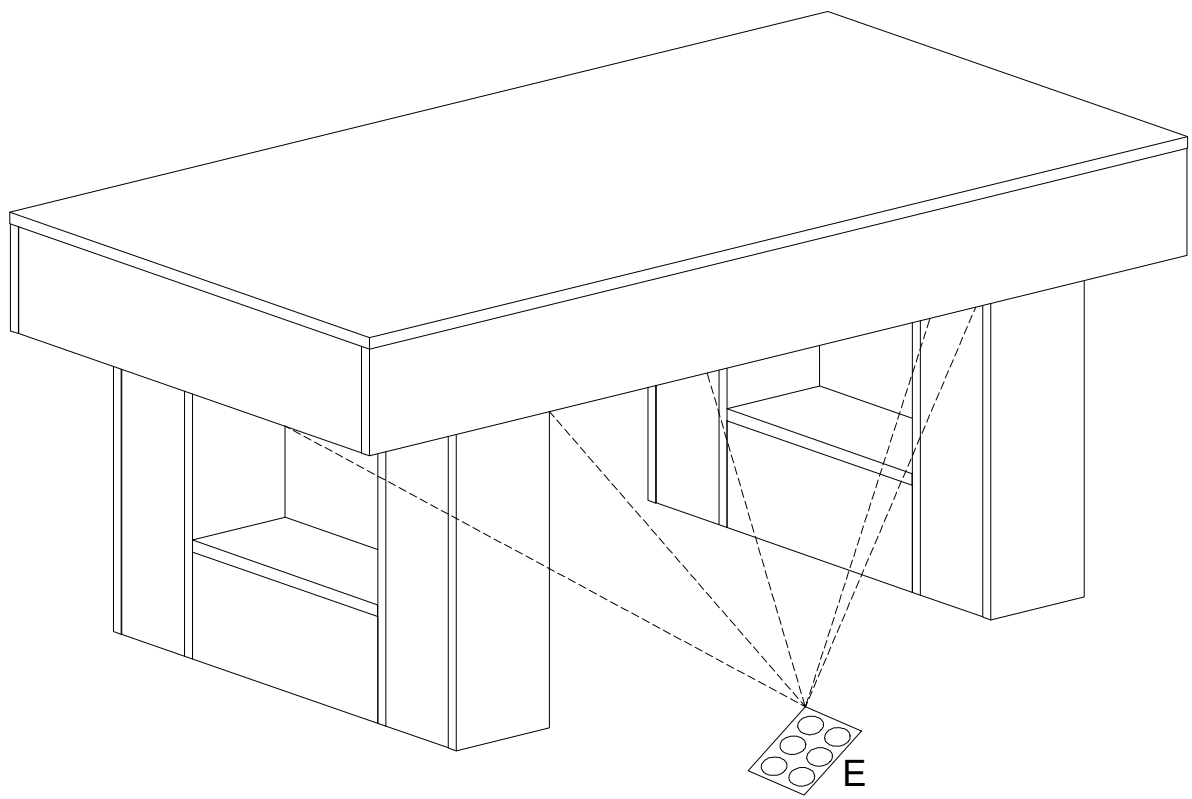
C	×4	F	×8
			
Ø6×30mm		Ø5×38mm	


STEP 12



B	×24
	
Ø15×9.3mm	

STEP 13



E	x3
	
Ø20mm	