

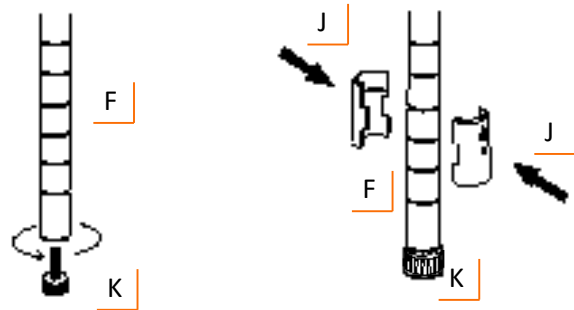
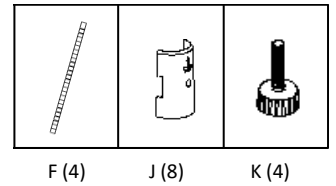
# ASSEMBLY INSTRUCTIONS

## STEP 1

Screw each LEVELER (K) into the bottom of each BOTTOM POLE (F). Turn clock-wise to screw in place.

Starting from the bottom of the BOTTOM POLE (F), attach two pieces of black plastic SLIP SLEEVES (J) on either side of the pole in the desired groove. Slide the plastic SLIP SLEEVES (J) down until they click into position. Repeat for the other three poles.

Tip: Use the grooves on the pole as a guide to ensure a level shelf height.

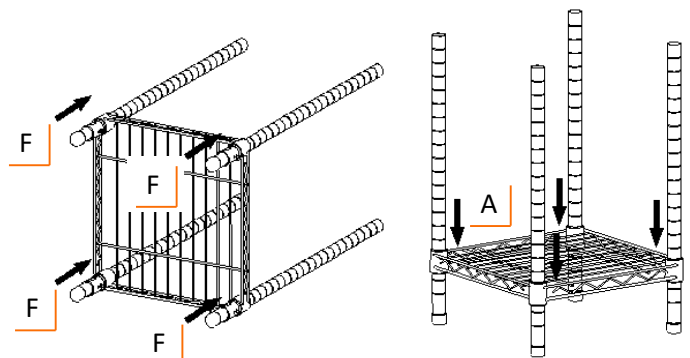
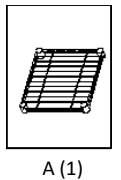


## STEP 2

With the SMALL SHELF (A) on its side, slide each of the BOTTOM POLES (F) through the shelf collars.

Stand the unit upright and push down on the SMALL SHELF (A). Using a rubber mallet to lightly hammer the SMALL SHELF (A) down over the collars is helpful but not necessary.

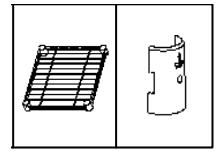
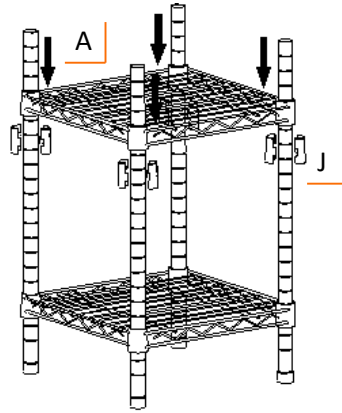
Note: For stability, the lowest SMALL SHELF (A) should be installed **no higher** than the 3rd indentation from the bottom of the BOTTOM POLES (F).



# ASSEMBLY INSTRUCTIONS

## STEP 3

Attaching black plastic SLIP SLEEVES (J) onto the poles in the desired grooves, slide the 2nd SMALL SHELF (A) from the top of the BOTTOM POLES (F) onto the pairs of black plastic SLIP SLEEVES (J).

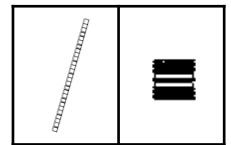
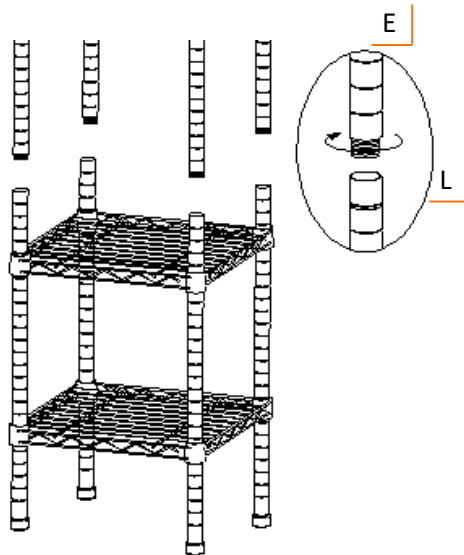


A (1)

J (8)

## STEP 4

Screw the CONNECTORS (L) into the top of the BOTTOM POLES (F), connect the four MIDDLE POLES (E) and the four BOTTOM POLES (F) with the CONNECTORS (L).



E (4)

L (4)

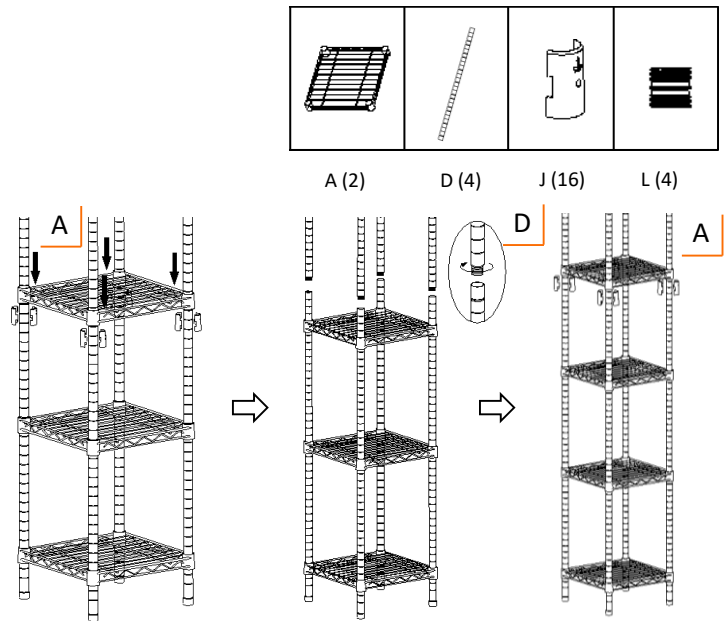
# ASSEMBLY INSTRUCTIONS

## STEP 5

Repeat STEP 3 for assembly of the 3rd SMALL SHELF (A)

Screw the CONNECTORS (L) into the top of the MIDDLE POLES (E), connect the four TOP POLES (D) and the four MIDDLE POLES (E) with the CONNECTORS (L).

Repeat STEP 3 for assembly of the 4th SMALL SHELF (A)

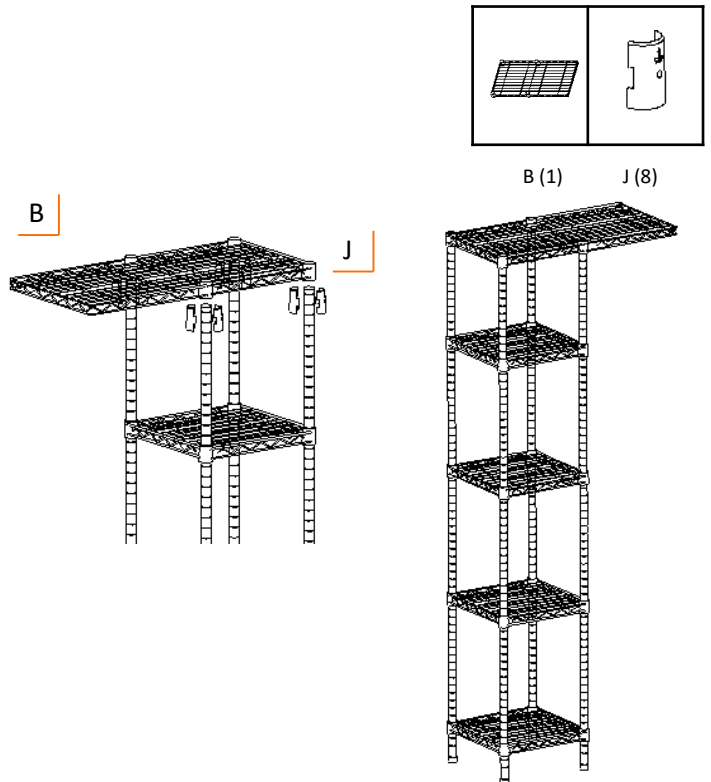


## STEP 6

Repeat STEP 3 for assembly of the TOP SHELF (B)

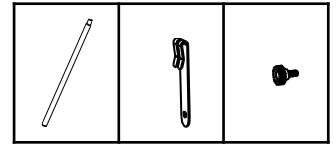
The first tower is ready. Repeat STEP 1 through STEP 6 to assemble the second tower.

Note: For stability, the TOP SHELF (B) should be installed ***no lower*** than the 3<sup>rd</sup> indentation from the top.



# ASSEMBLY INSTRUCTIONS

## STEP 7



G (2)

H (4)

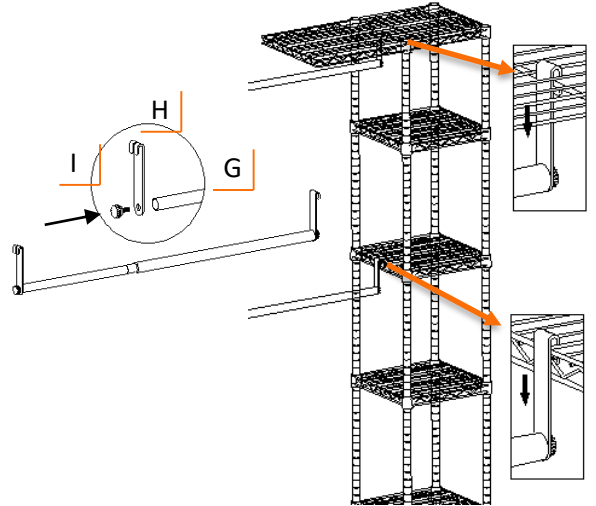
I (4)

Top: Hang the HANGING BRACKET (H) over the wire strand in the middle of the TOP SHELF (B). Do the same for the other side.

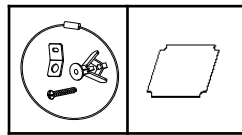
Bottom: Hang the HANGING BRACKET (H) over the lip of SMALL SHELF (A). Do the same for the other side.

Fasten HANGING SCREW (I) through HANGING BRACKET (H) to HANGING ROD (G). Do this for both HANGING RODS (G).

Note: The organizer is able to fit closet widths ranging from 56" to 78". Please place towers in position before expanding the HANGING ROD (G) and attach to HANGING BRACKET (H) with HANGING SCREW (I).



## STEP 8



M (2)

C (8)

Place CLOSET ORGANIZER by the wall, drill 1 hole on each side of the wall at the same level of TOP SHELF (B) where ANTI-TIPPING KIT (M) is desired to be placed.

Fasten ANTI-TIPPING KIT (M) to the wall and cable loop through TOP SHELF (B) as the image shows, and close up the cable loop, connecting CLOSET ORGANIZER to the wall via ANTI-TIPPING KIT (M).

Place each BAMBOO BOARD (C) onto each SMALL SHELF (A) as shown.

