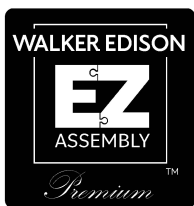
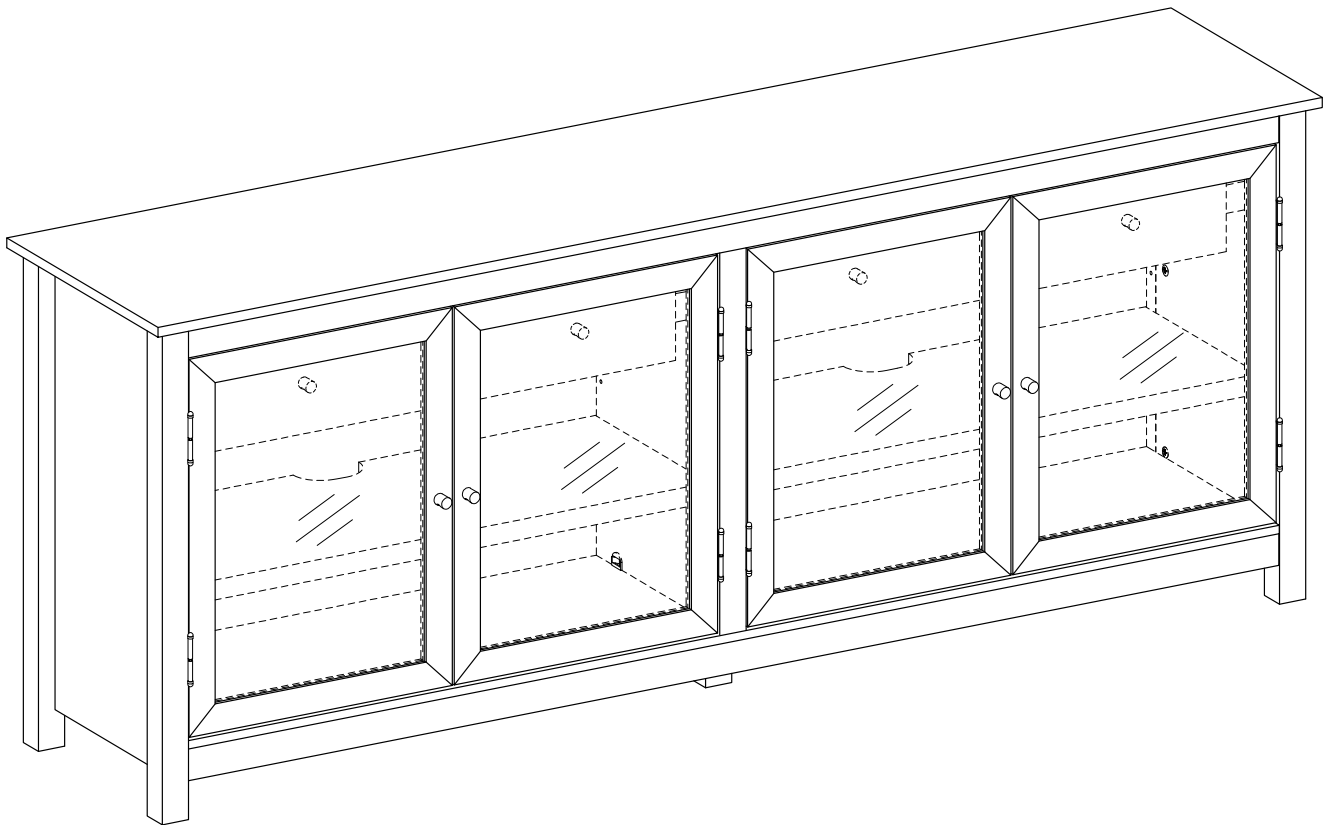


WALKER EDISON™

Harlow 70" Sideboard with Drawers

SKU# WEHAR11703



For Residential Use Only

Please visit our website for the most current instructions, assembly tips, report damage, or request parts. www.walkerediton.com

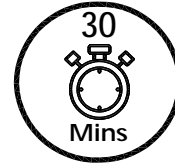


Time to get started

Set up a clean and soft workplace to get started and avoid damage during the assembly. It also helps to double-check that you've got all the pieces and parts before diving in to assembly.

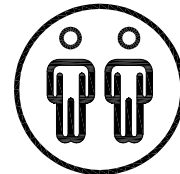
Estimated time for assembly

Say Goodbye to Frustration!
30 Minutes or Less to Build
No Tools Required



People recommended for assembly

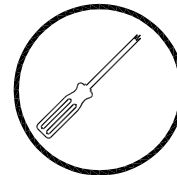
Make it a team effort! Grab a friend for quicker, easier assembly.



2 People Build

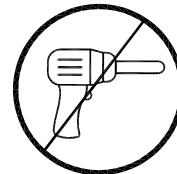
Tools Needed

Grab a Phillips head screwdriver to conquer this assembly



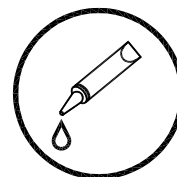
Use power tools with caution

You can cause cracking or damage to the material and easily strip the hardware. If you choose to use a power tool, your product will no longer be covered under Walker Edison's warranty.



Glue is provided to secure wood dowels in place

When inserting dowels, locate the appropriate hole, place a small amount of glue in the hole, and then insert the dowel. Wipe away excess glue immediately.

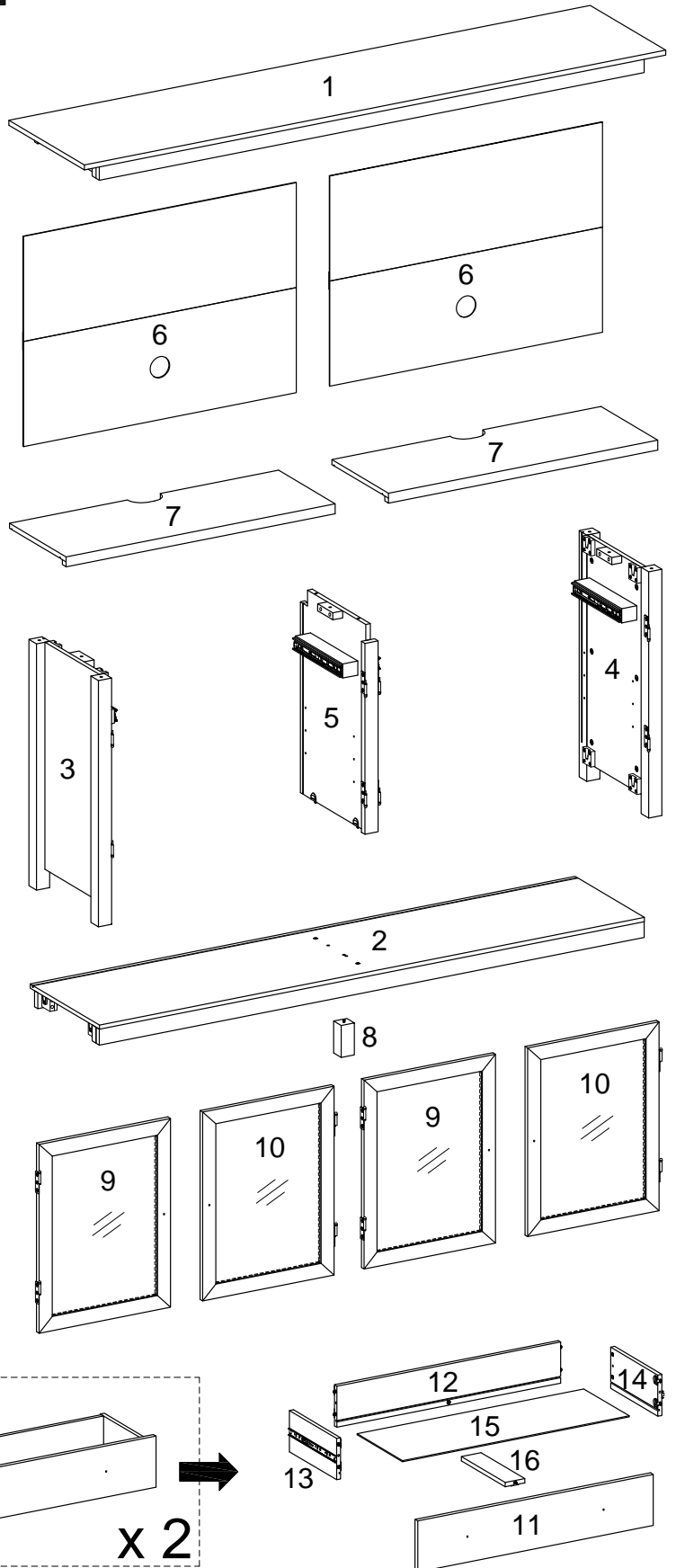


harlow



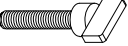
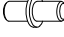



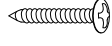
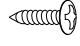



Scan to get assembly tips and help!

WE Parts List

Part Number	Description	Quantity
1	Top Panel	1
2	Bottom frame	1
3	Left Panel	1
4	Right Panel	1
5	Divider Panel	1
6	Back Panel	2
7	Adjustable Shelf	2
8	Middle Foot	1
9	Left Door	2
10	Right Door	2
11	Front Drawer Panel	2
12	Back Drawer Panel	2
13	Left Drawer Panel	2
14	Right Drawer Panel	2
15	Bottom Drawer Panel	2
16	Drawer Support Panel	2



WE Hardware List

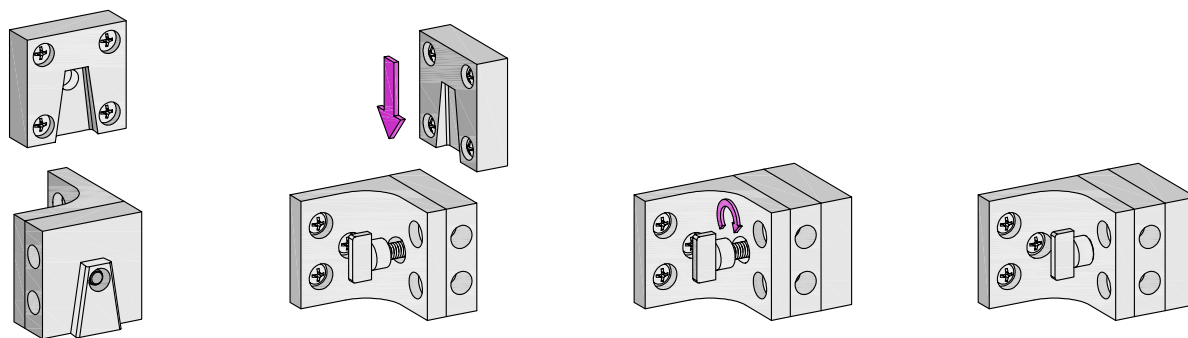
Part	Size	Name	Quantity
A 	8x30mm	Wooden dowel	8
B 	6x30mm	Wooden dowel	8
C 	1/4"x30mm	Thumb Screw	11
F 	5x16mm	Shelf Support Pin	8
G 	5/32"x16x20mm	Handle	8
H 	5/32"x20mm	Bolt	8
J 	30mm	Sticker	12
K 	4x25mm	Screw	2
L 	4x12mm	Screw	2
M 	25x150mm	Plastic strap	2
N 	8x30mm	Anchor	2
P 	10g	Glue Tube	1

The hardware quantities listed above are required for proper assembly.
Extra hardware pieces may be included.

Introducing Walker Edison EZ Assembly™ Hardware

At Walker Edison, we understand that furniture assembly can be a daunting task, especially when you're excited to get your new furniture set up and in use.

That's why we're introducing our innovative Walker Edison EZ Assembly™ hardware system. Our goal is to make the assembly process as smooth and straightforward as possible, so you can spend less time building and more time enjoying your new furniture.



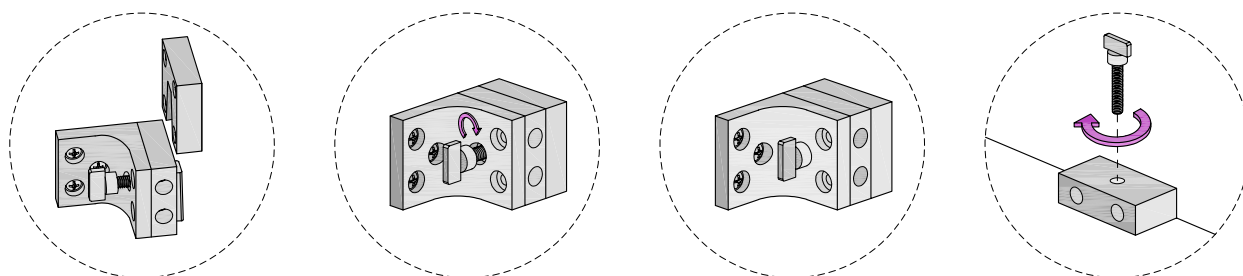
What Makes Walker Edison EZ Assembly™ Special?

- **Simplified Process:** Our hardware is designed to streamline the assembly process. With the Walker Edison EZ Assembly™ system, pieces connect easily and securely with minimal effort. No more fumbling with complex tools or trying to decipher confusing instructions—just quick, straightforward connections.
- **No Tools Required:** The Walker Edison EZ Assembly™ system is designed to be intuitive and user-friendly requiring no tools for assembly, so you can assemble with confidence, knowing it will be stable and secure.
- **Durable and Reliable:** Our Walker Edison EZ Assembly™ hardware isn't just easy to use—it's built to last. The components are crafted from high-quality materials to ensure that your furniture remains sturdy and reliable for years to come.

We're excited to introduce you to a new era of furniture assembly.

With Walker Edison EZ Assembly™, you can look forward to a hassle-free experience and a beautiful, durable product that's ready to enjoy in no time.

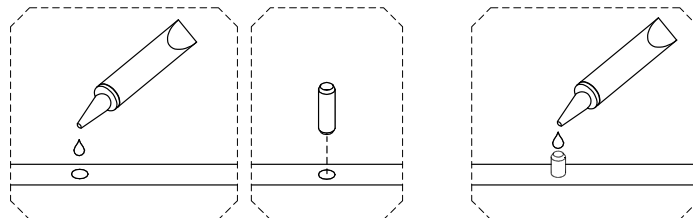
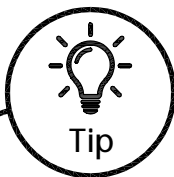
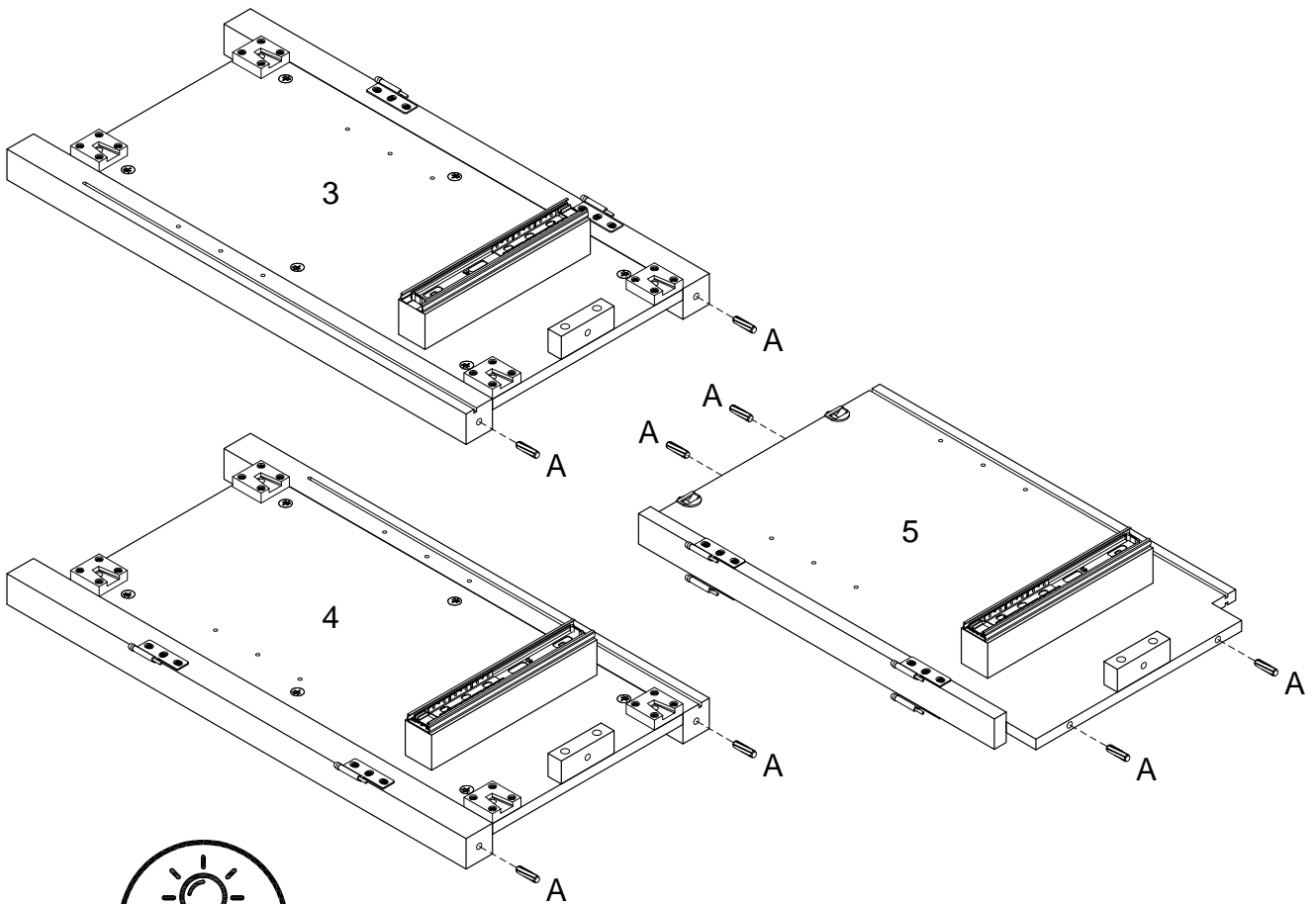
How to Get Started



1. Get your panels ready, following the Assembly Instructions.
2. Match up the triangular male and female pieces—think of it as a little puzzle!
3. Let gravity lend a hand as you slide the hardware together at each aligned hardware piece.
4. Give the thumbscrew a twist in the center to lock everything in place.

Step 1

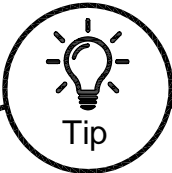
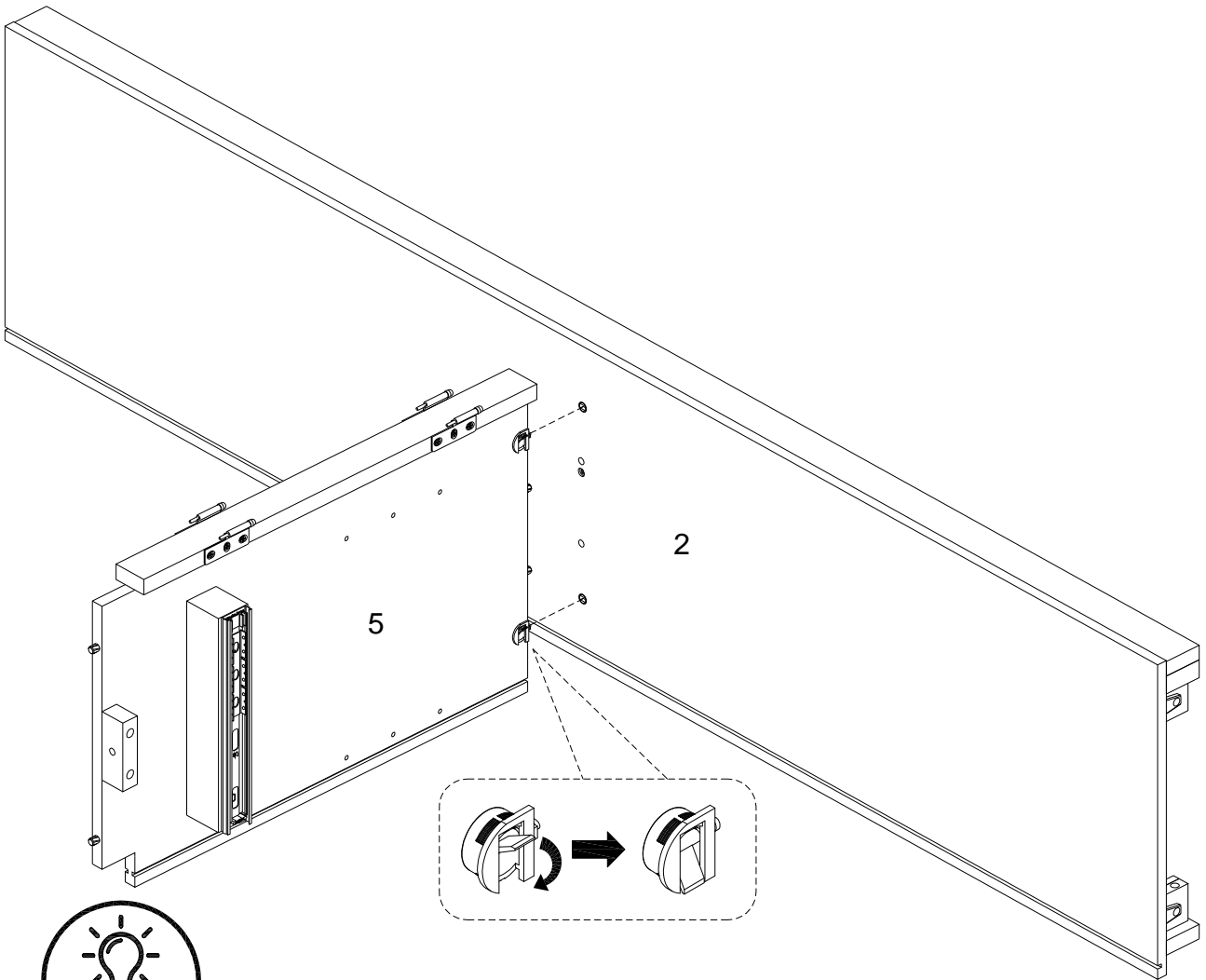
Let's get started! Insert the wooden dowels (A) into the Left Panel (3), Right Panel (4), and Divider Panel (5).



- 1: The provided glue is to secure wood dowels in place. When first inserting dowels, locate the appropriate hole for the dowel, place a small amount of glue in the hole and insert the dowel. Wipe away excess glue immediately.
- 2: In future assembly steps when dowels are necessary to attach assembly parts together, place a small amount of glue on the end of the dowel before attaching parts together. Wipe away excess glue immediately.

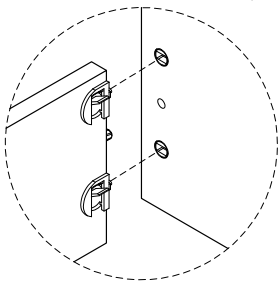
Step 2

Next up, connect the Divider Panel (5) to the Bottom Frame (2). Just line up the dowels and pin holes, then flip those metal levers to lock everything into place.

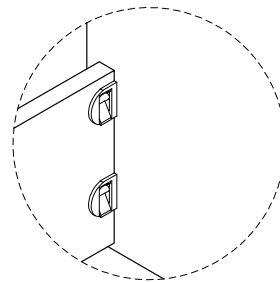


Tip

Quick Assembly Pins



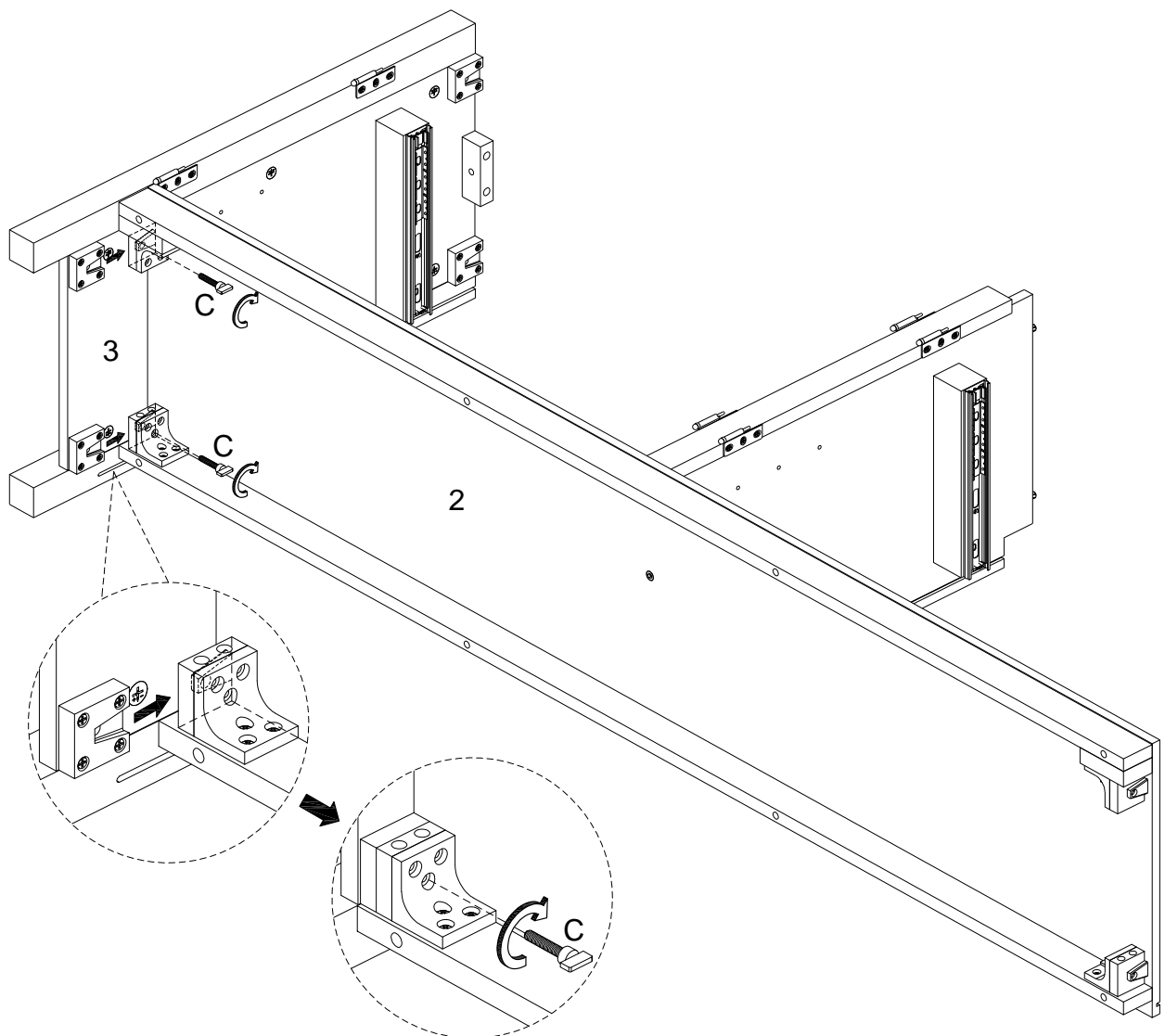
1. Align quick assembly pin with the corresponding holes.



2. Once pin is inserted correctly flip the metal lever in the opposite direction to ensure panels are firmly locked together.

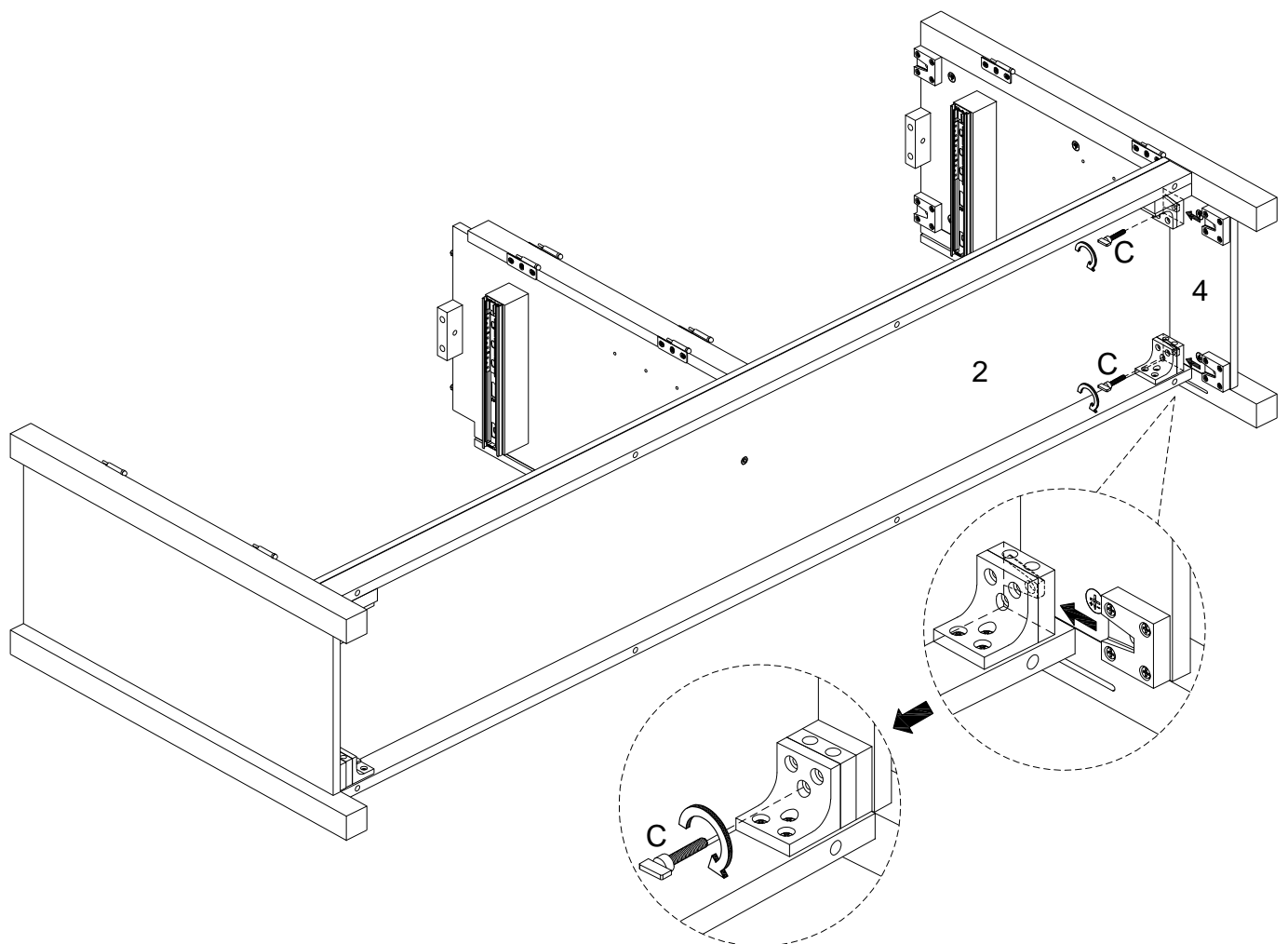
Step 3

Grab the Left Panel (3) and slide it into the hardware on the underside of the Bottom Panel (2) until they lock together. Secure it in place with the thumb screws (C) – easy, right?



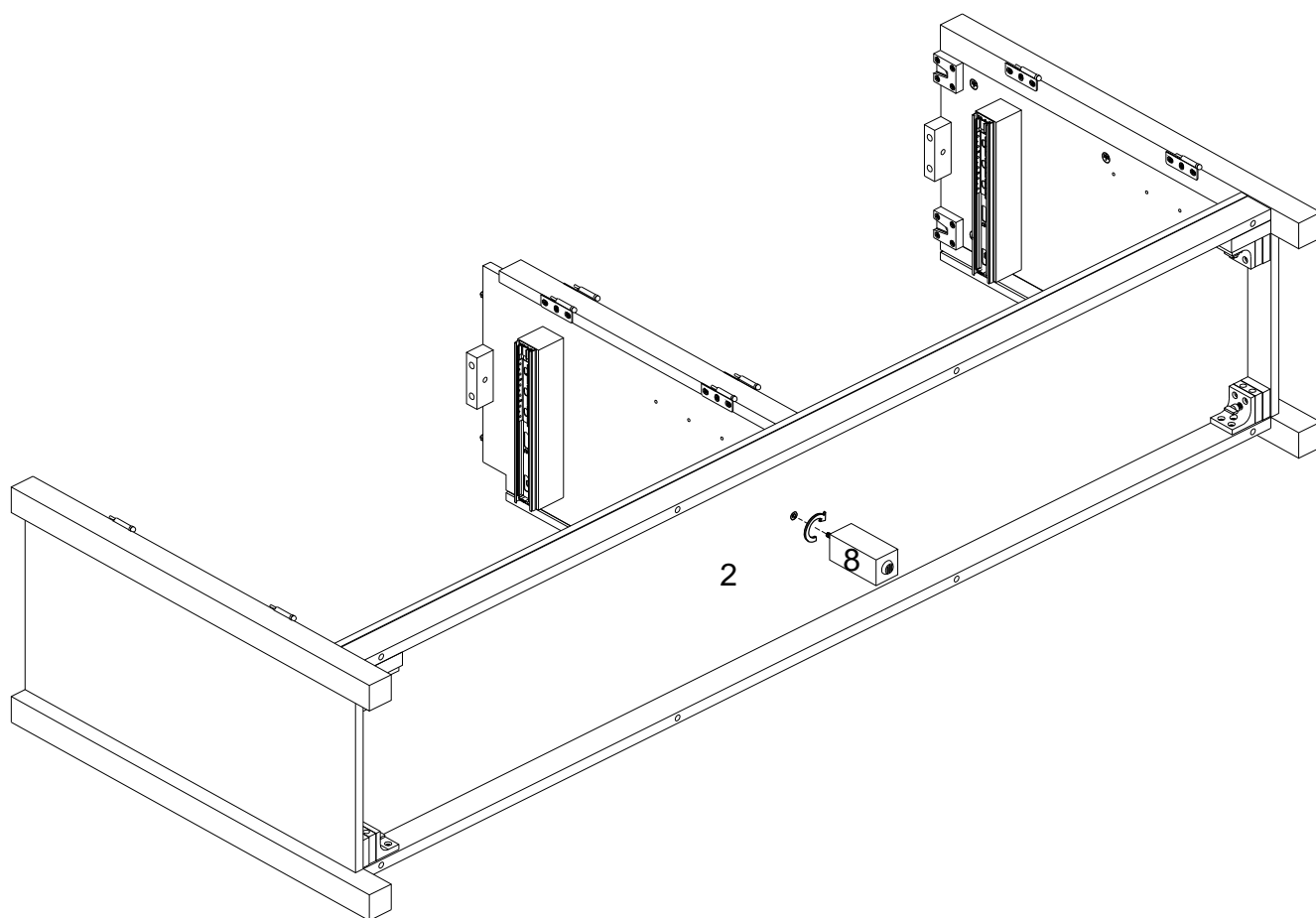
Step 4

Repeat on the right! Take the Right Panel (4) and do the same thing you did with the left side. Slide, lock, and secure with those trusty thumb screws.



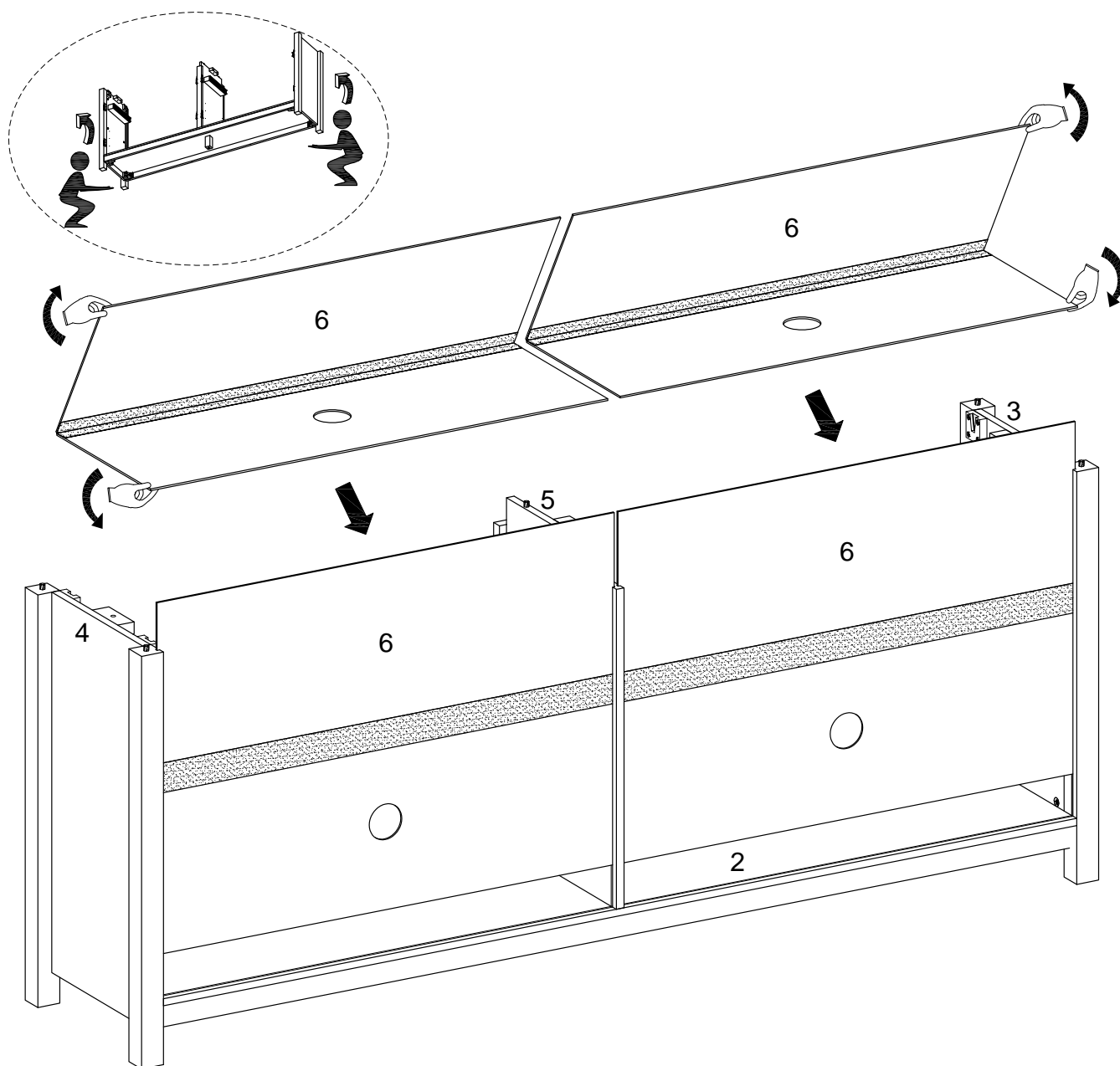
Step 5

Screw in the Middle Foot (8) to the Bottom Panel (2). Just twist it on like a pro.



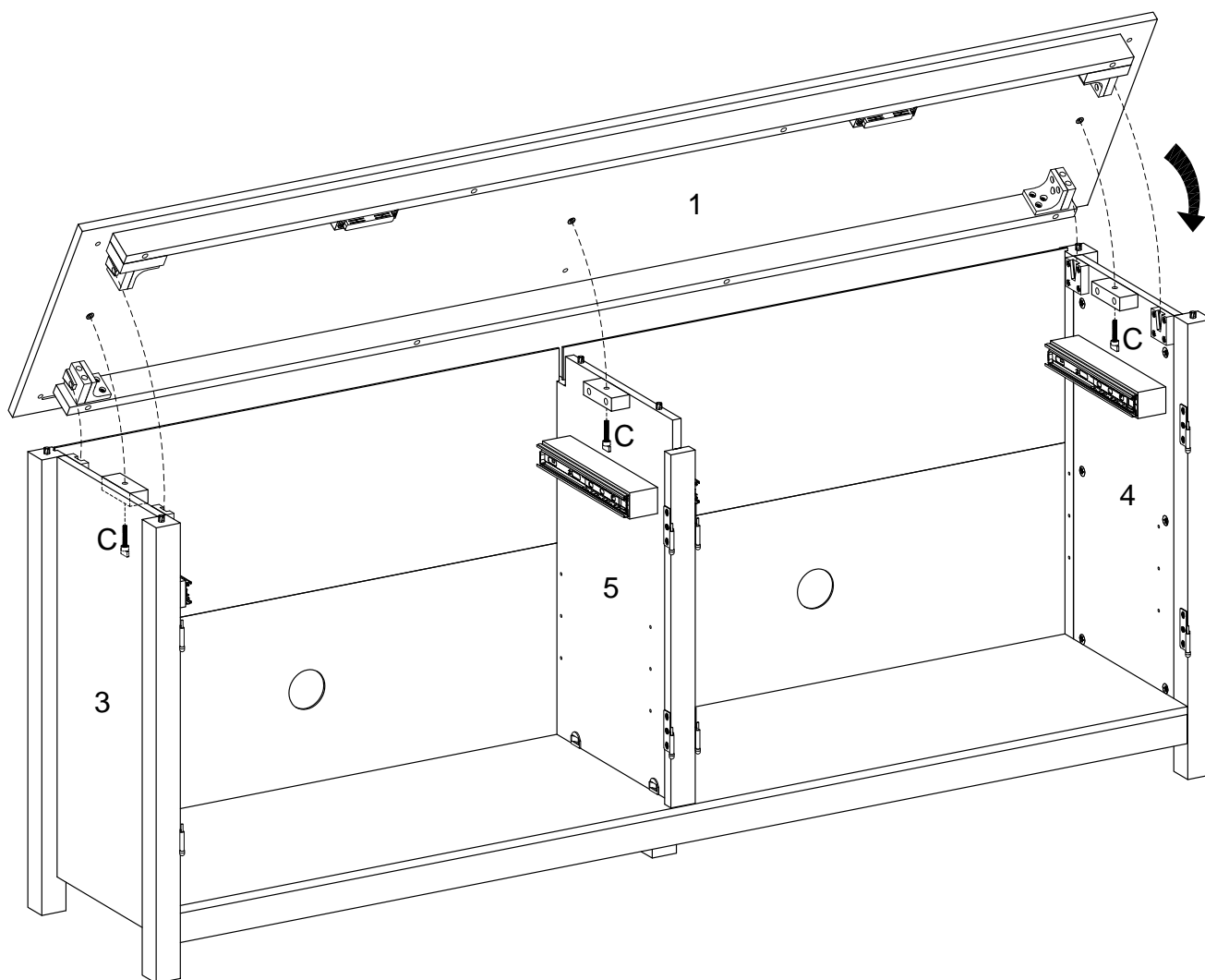
Step 6

Stand your frame upright and unfold the Back Panel (6). Slide it into the grooves on the back.



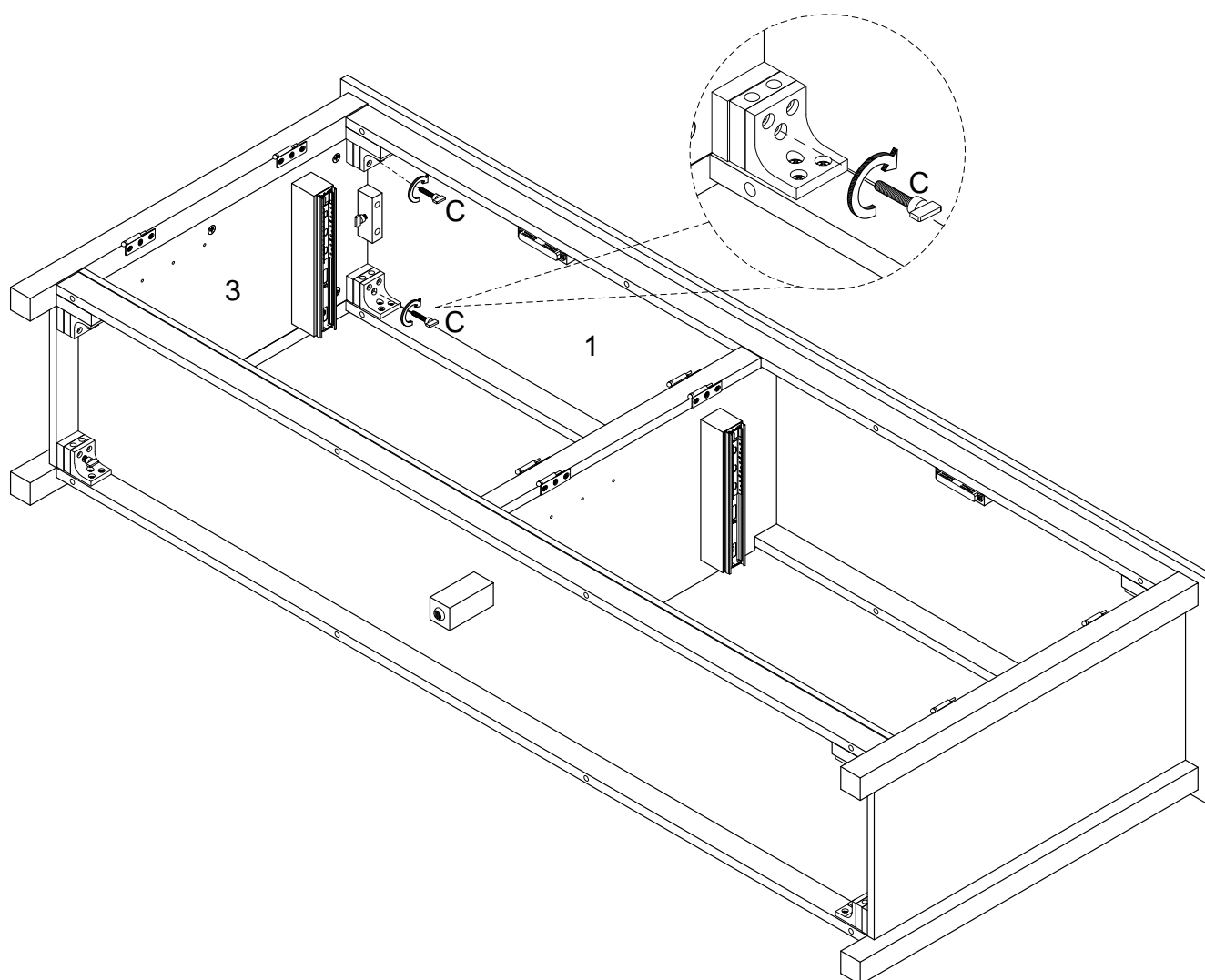
Step 7

Line up Top Panel (1) with the dowels and slide into the corner block connections. Then, tighten it up with the thumb screws (C) on the sides and middle.



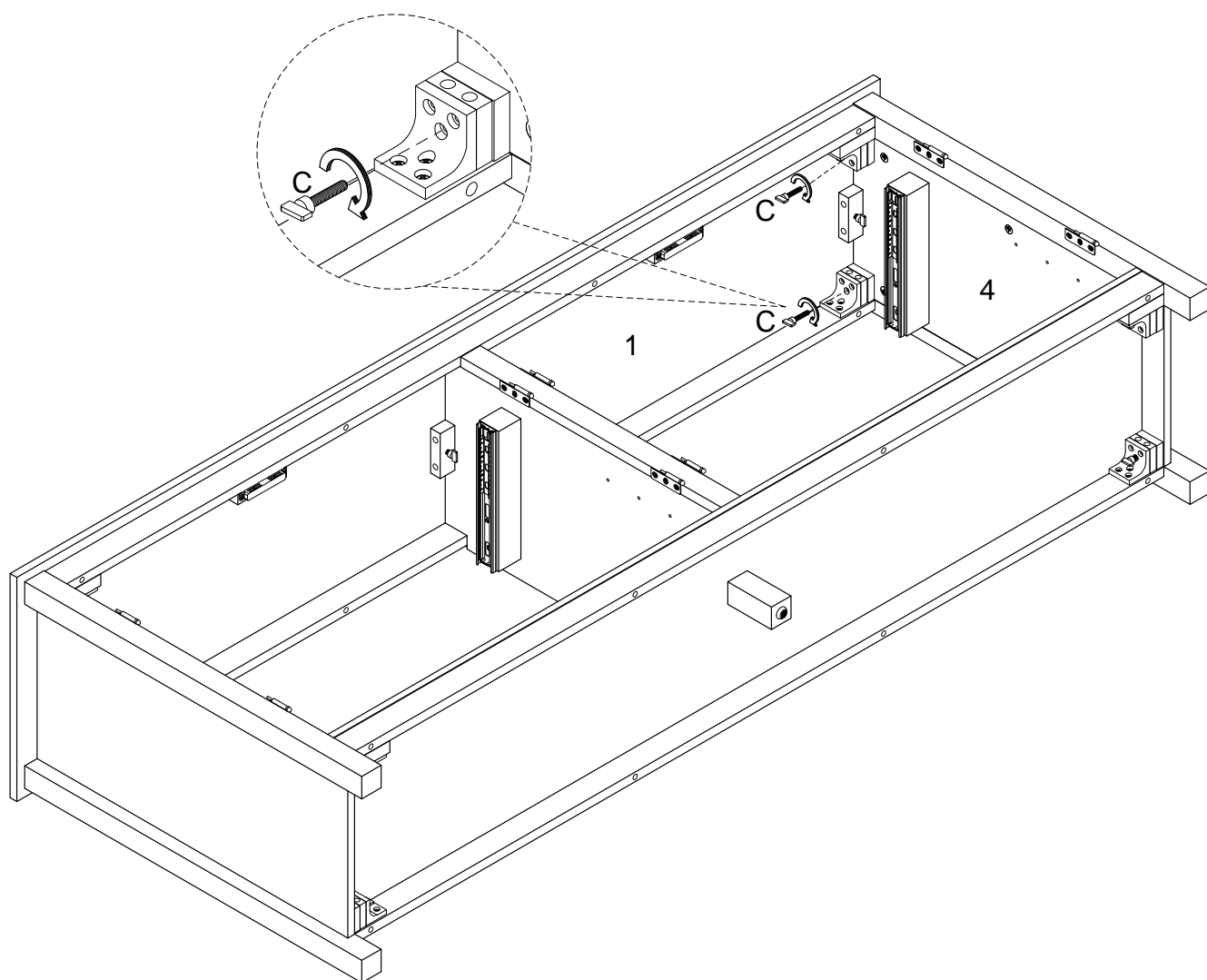
Step 8

Secure the left side corner block with the thumb screws (C).



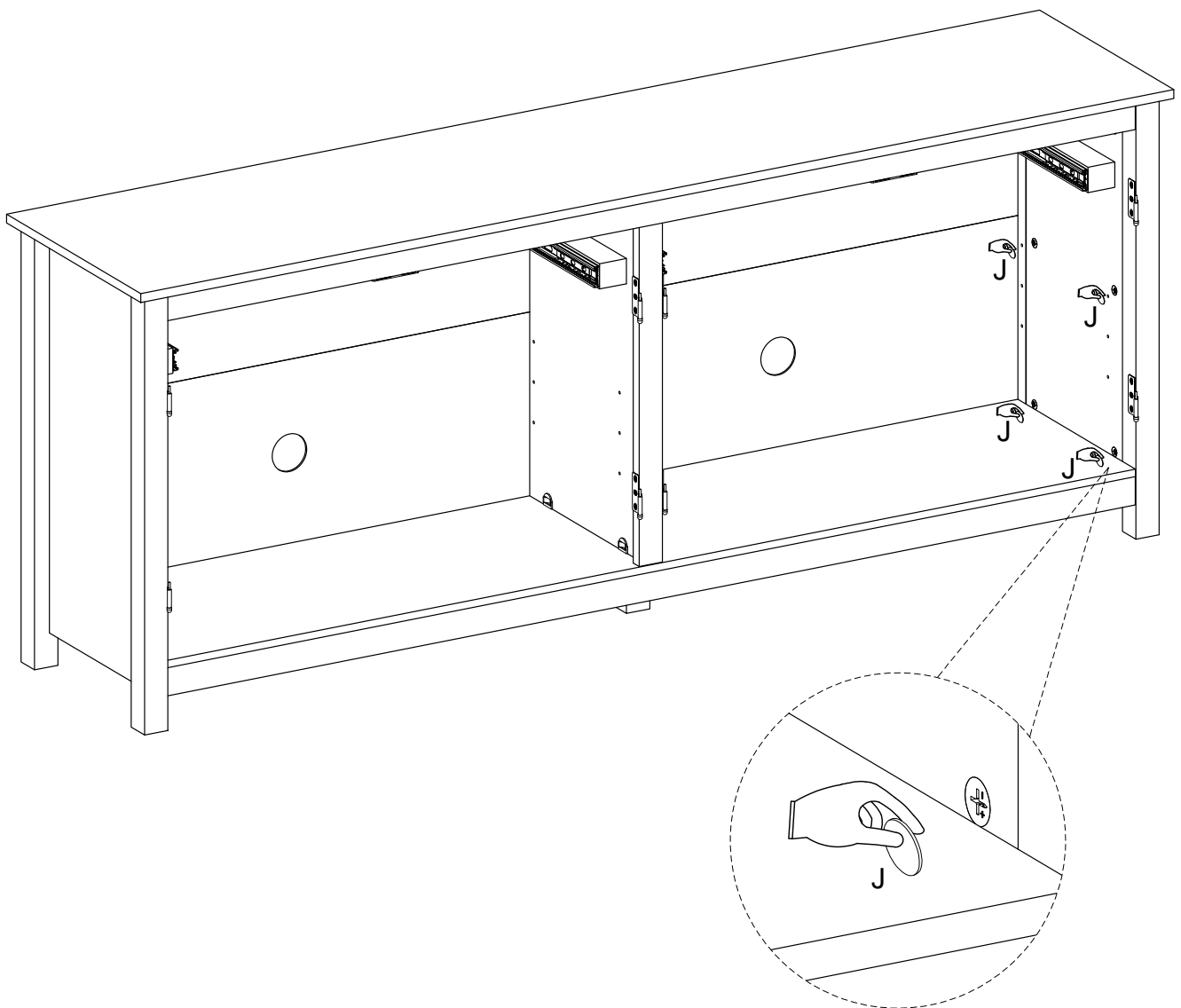
Step 9

Secure the right side corner block with the thumb screws (C).



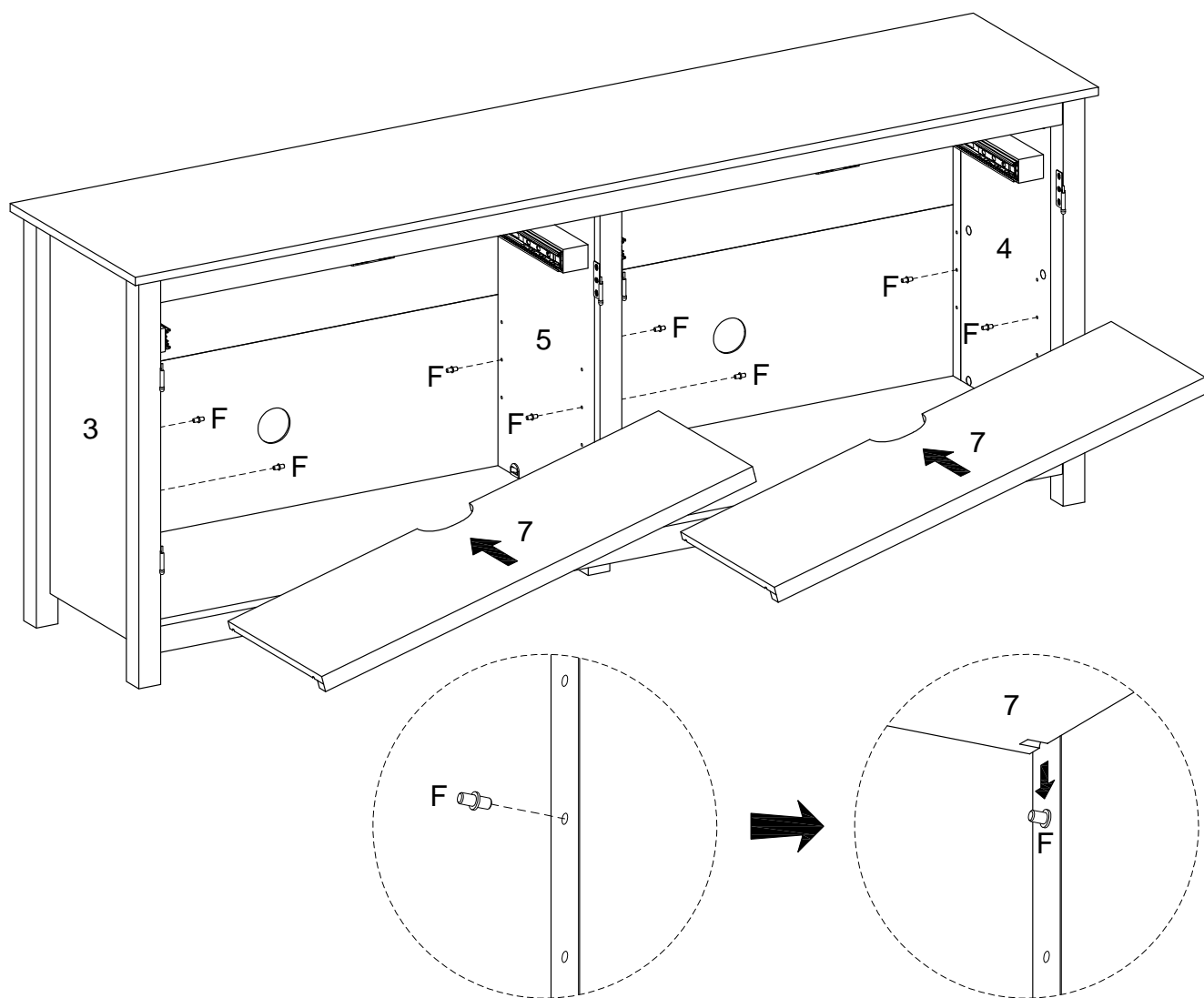
Step 10

Cover any exposed hardware with the stickers (J).



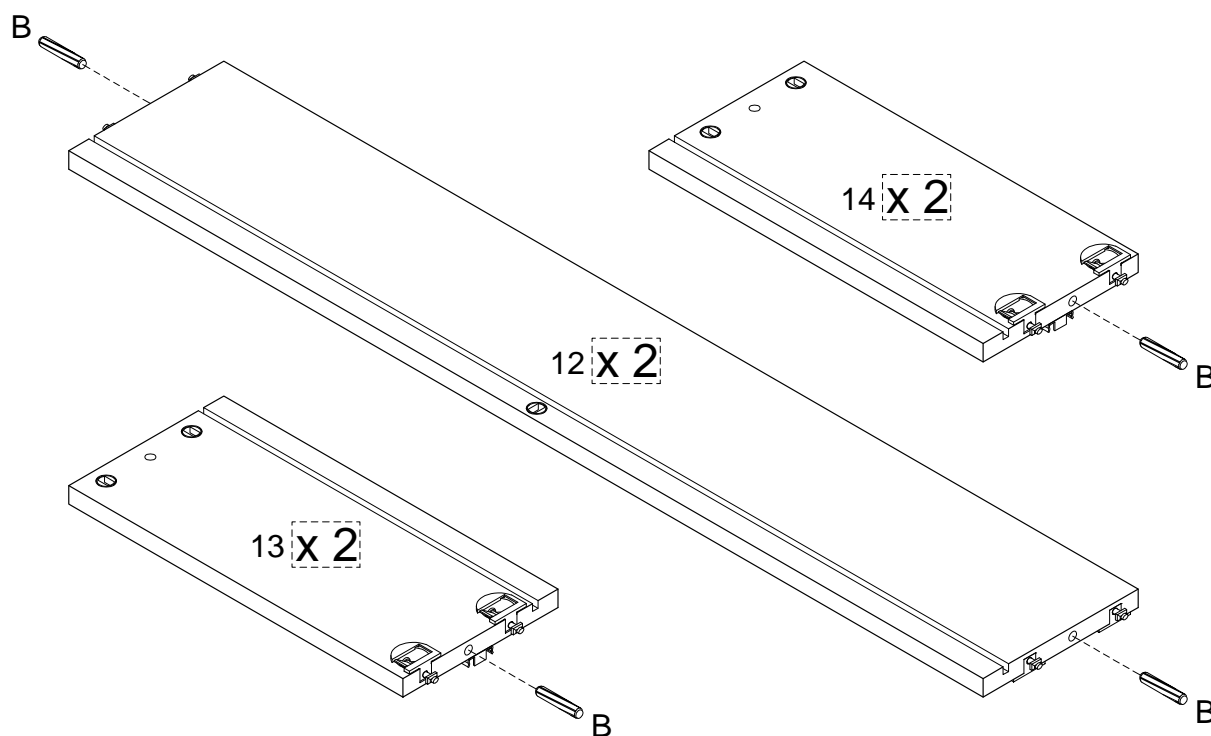
Step 11

Pick your perfect shelf height and insert the support pins (F). Then place the Adjustable Shelves (7) right on top.



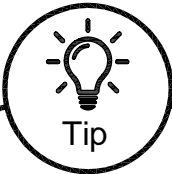
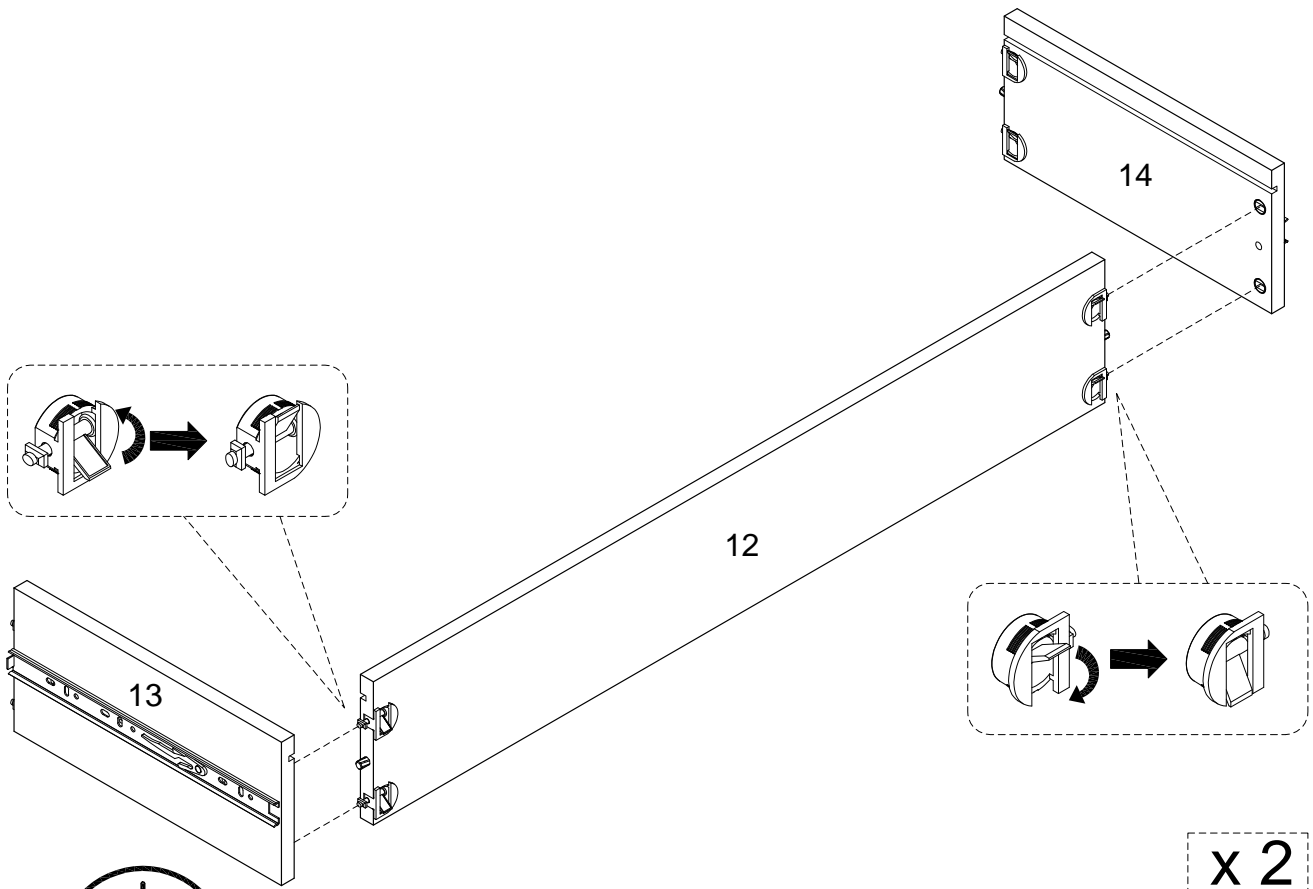
Step 12

Let's build some drawers! Start by inserting the smaller dowels (B) into the Left (13), Right (14), and Back (12) Drawer Panels.



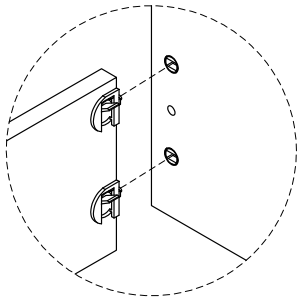
Step 13

Connect those panels by lining up the dowels and pin holes, then flip the tabs on the back panel (12) to lock them in place. Repeat for drawer #2!

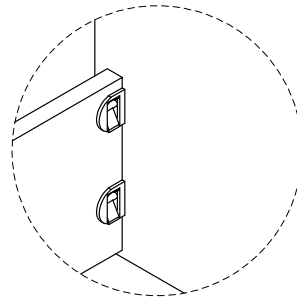


Tip

Quick Assembly Drawers



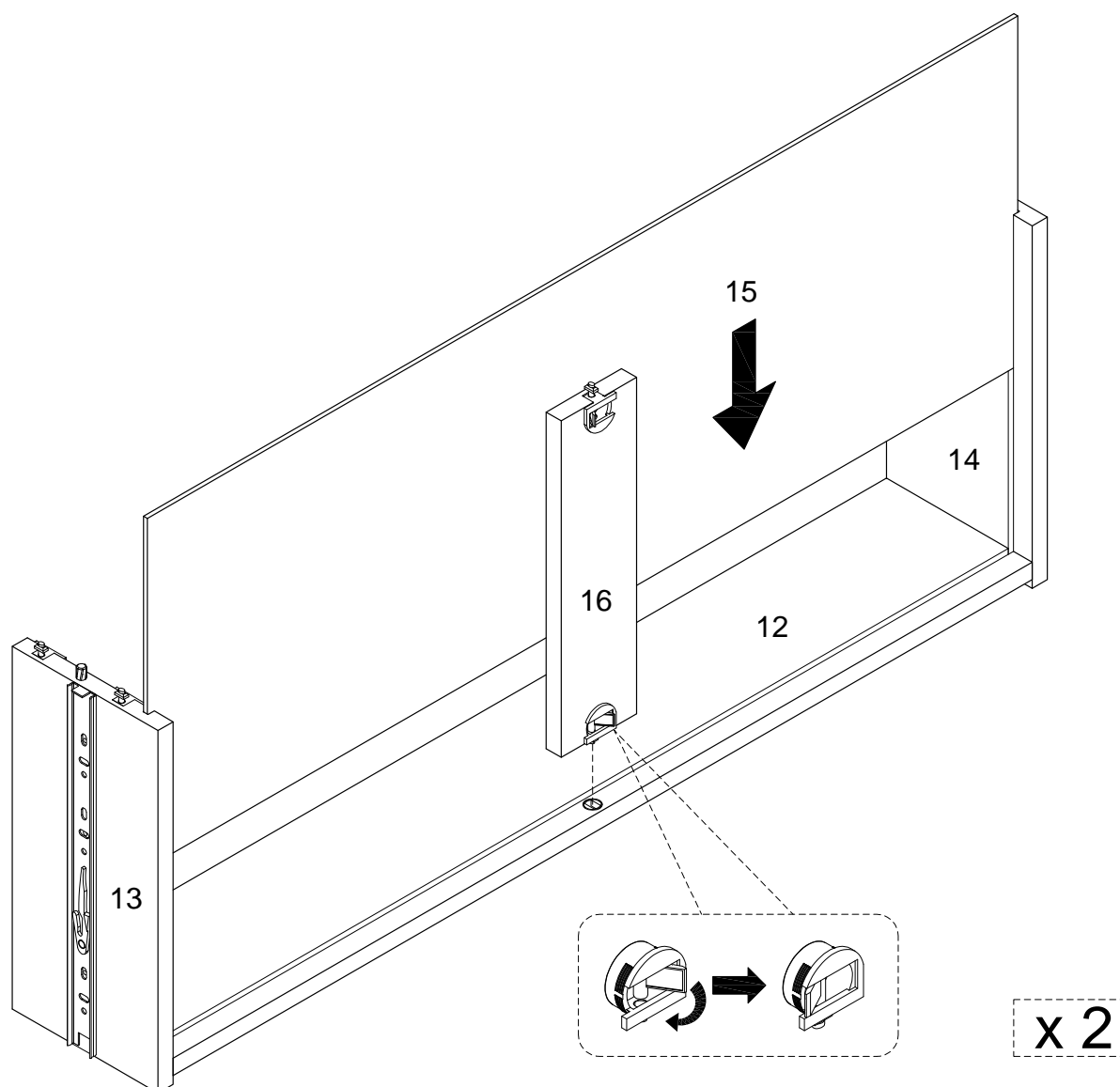
1. Make quick assembly drawer pin is aligned with corresponding hole.



2. Once pin is inserted correctly flip metal lever in opposite direction to ensure panels are firmly locked together.

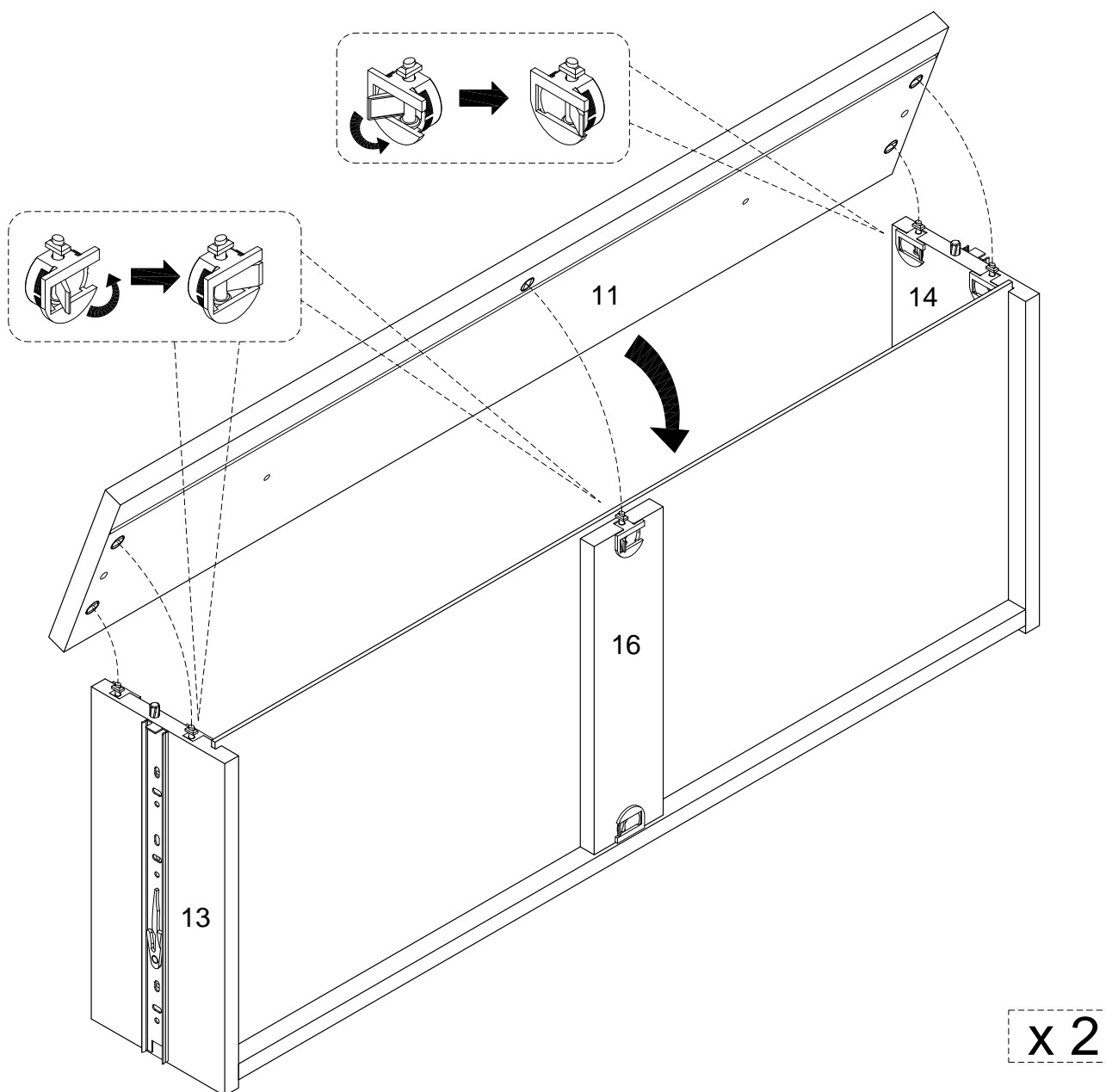
Step 14

Attach the Bottom Drawer Panel (15) to the Back Panel (12) and then slide the Drawer Support Panel (16) into the grooves. Do the same for the second drawer.



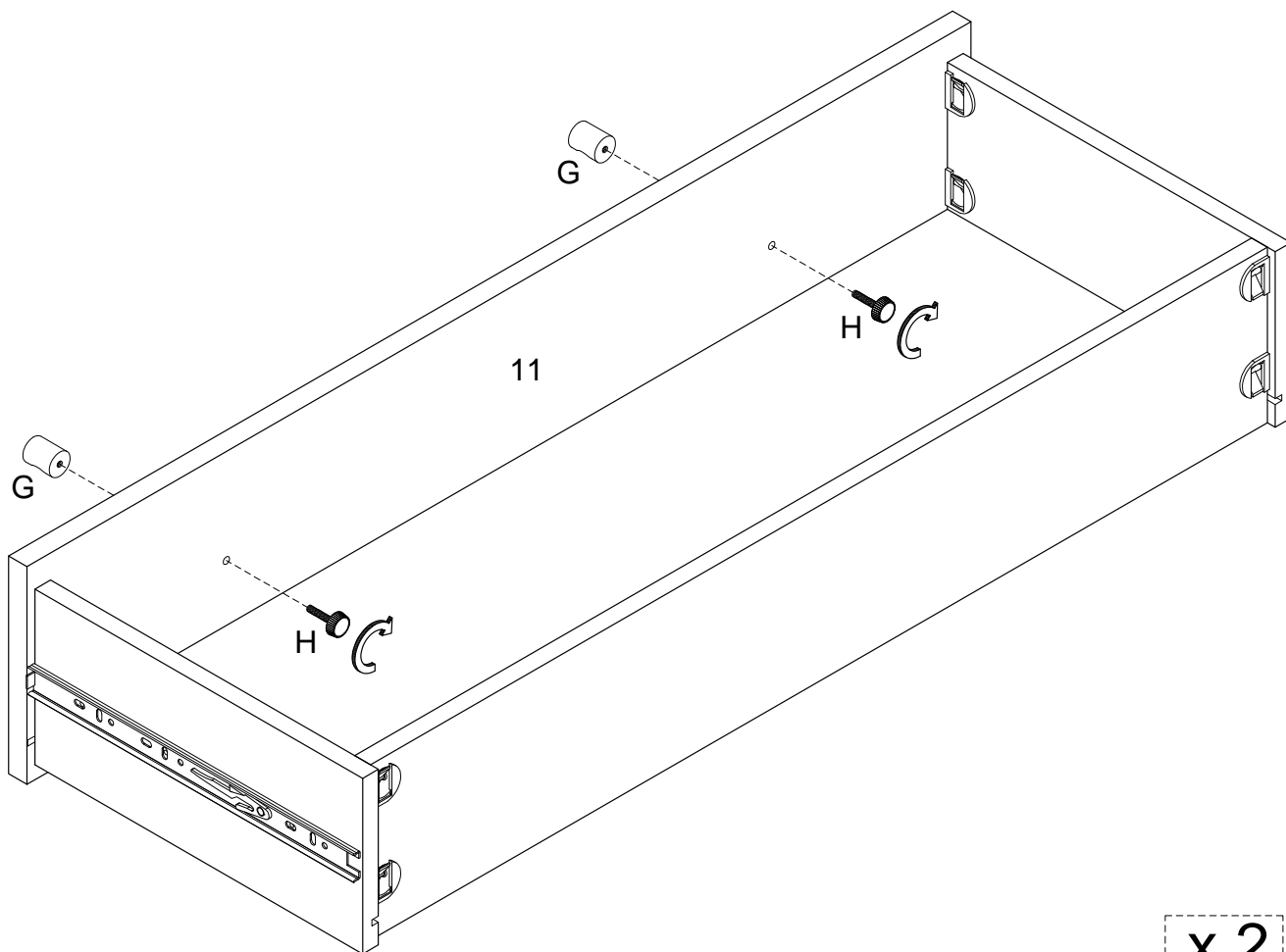
Step 15

Now add the Front Drawer Panel (11) by lining up the dowels and pins. Repeat for the second drawer.



Step 16

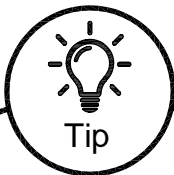
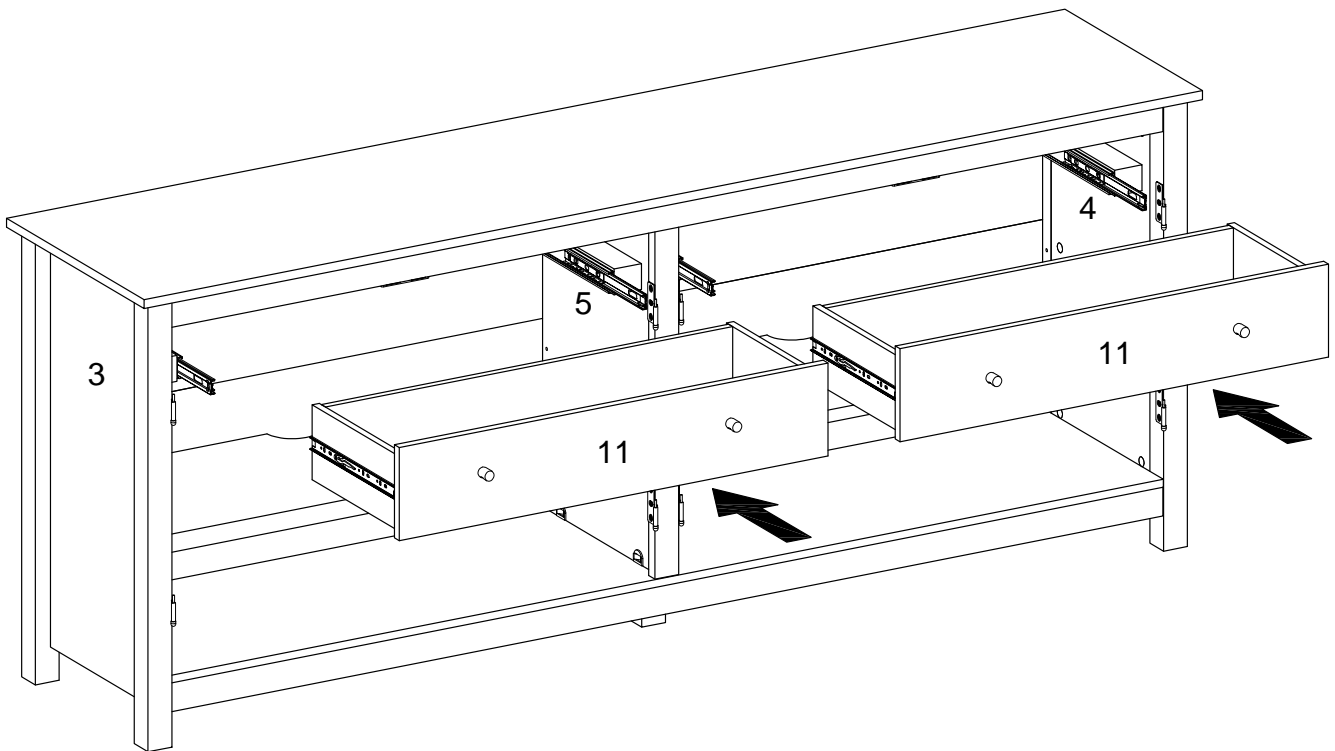
Twist on the handles (G) with bolts (H) to finish up the drawers.



x 2

Step 17

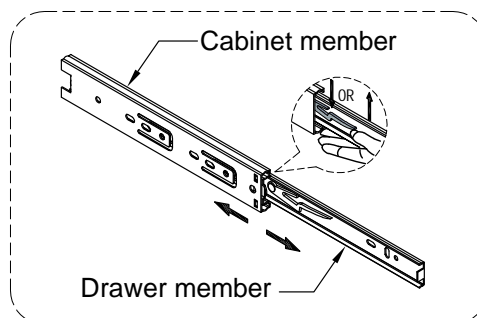
Slide the drawers into your brand new piece. Step back and admire your hard work – you are so close!



Tip

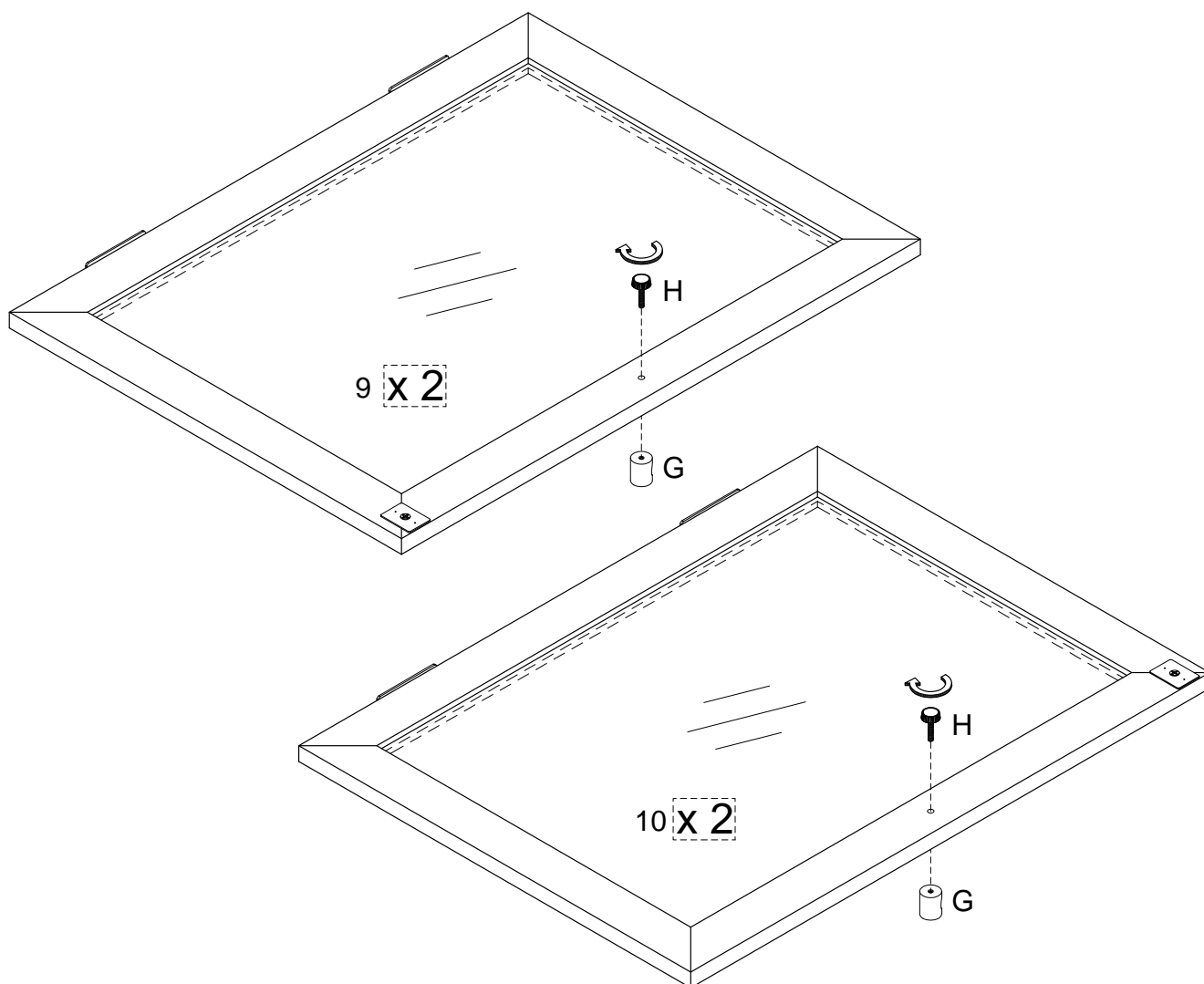
Reinserting your Cabinet Glides together

Line up the Drawer Member so it is inside the guides of the Cabinet Member. Once the connection is made, push the drawer into place entirely. It may not be a smooth glide on your first try, but will improve after it's fully inserted.



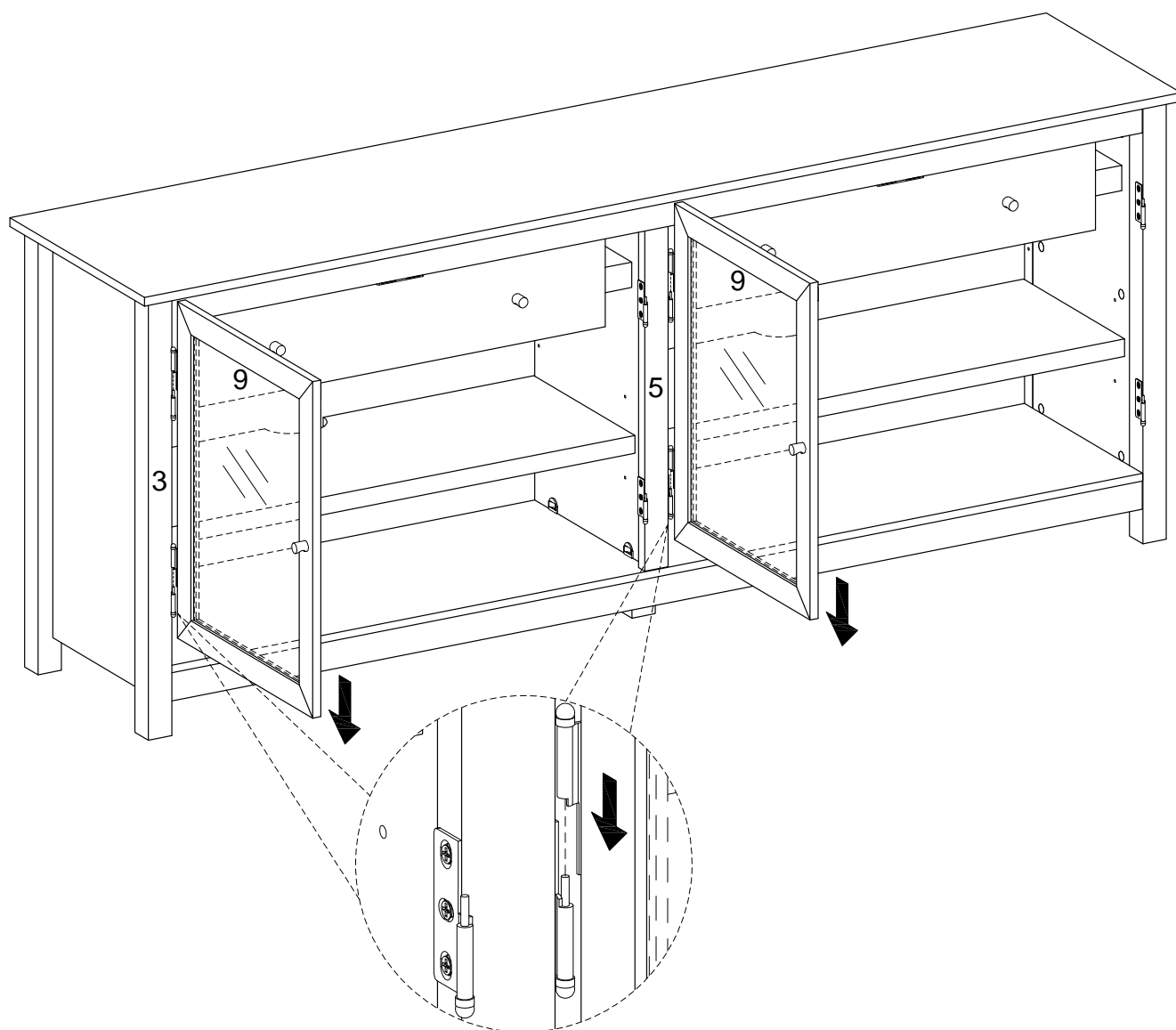
Step 18

Attach the handles (G) to the Left and Right Doors (9 & 10) with the bolts (H).



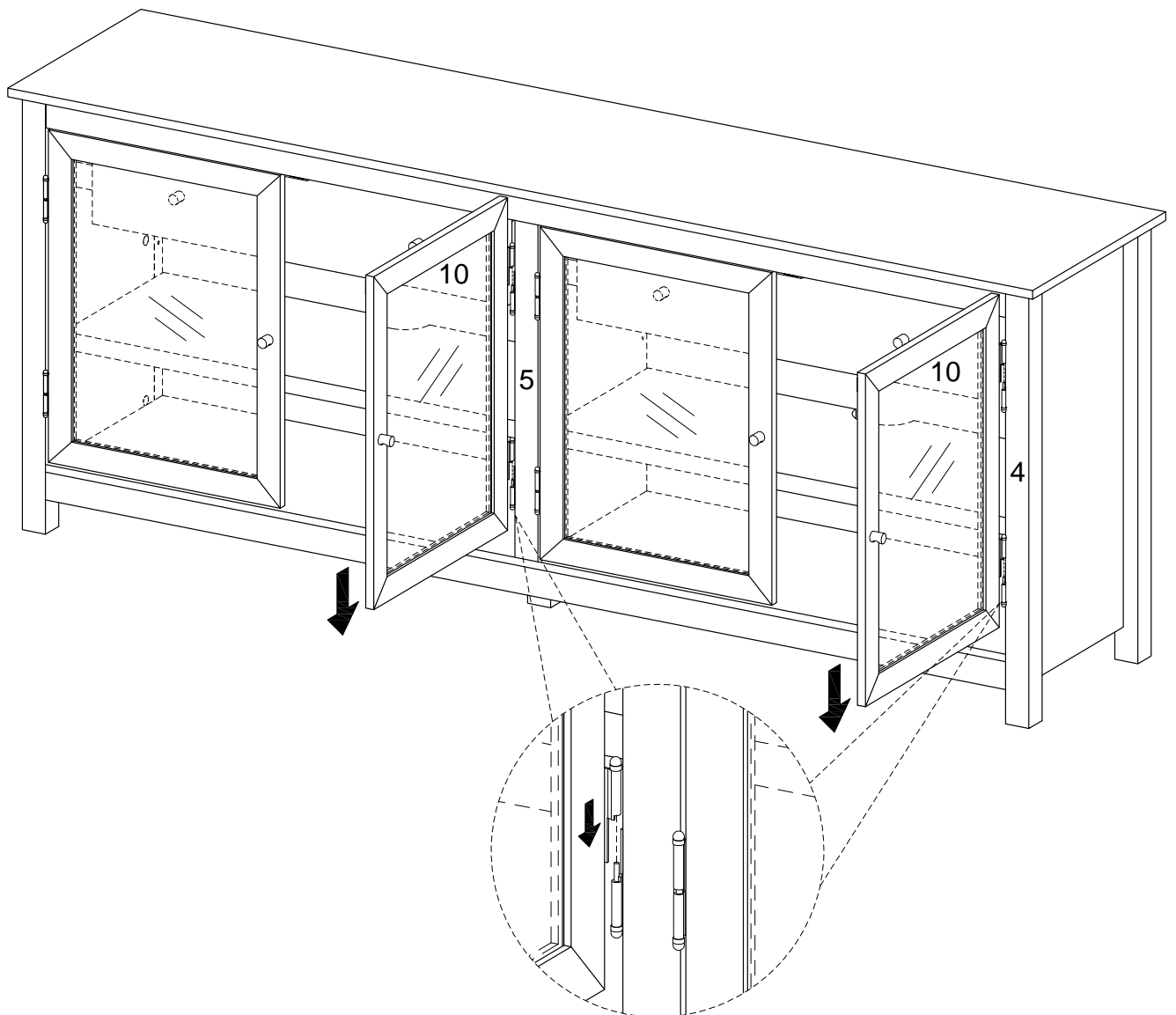
Step 19

Now secure the Left Doors (9) to the frame — line up the hardware and lock them in.



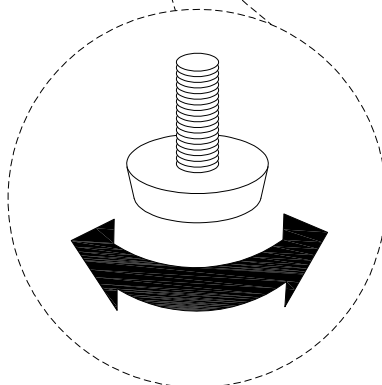
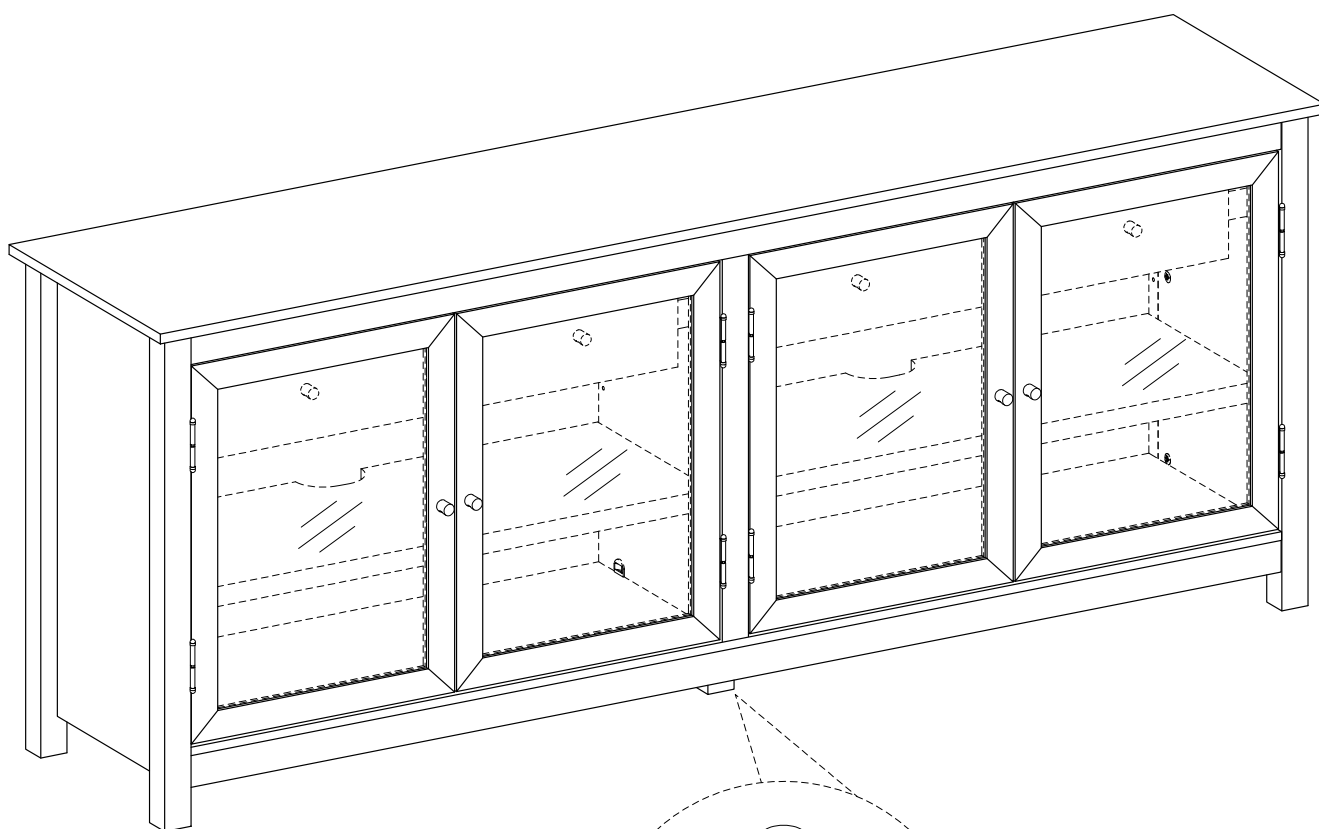
Step 20

Repeat with the Right Doors (10).



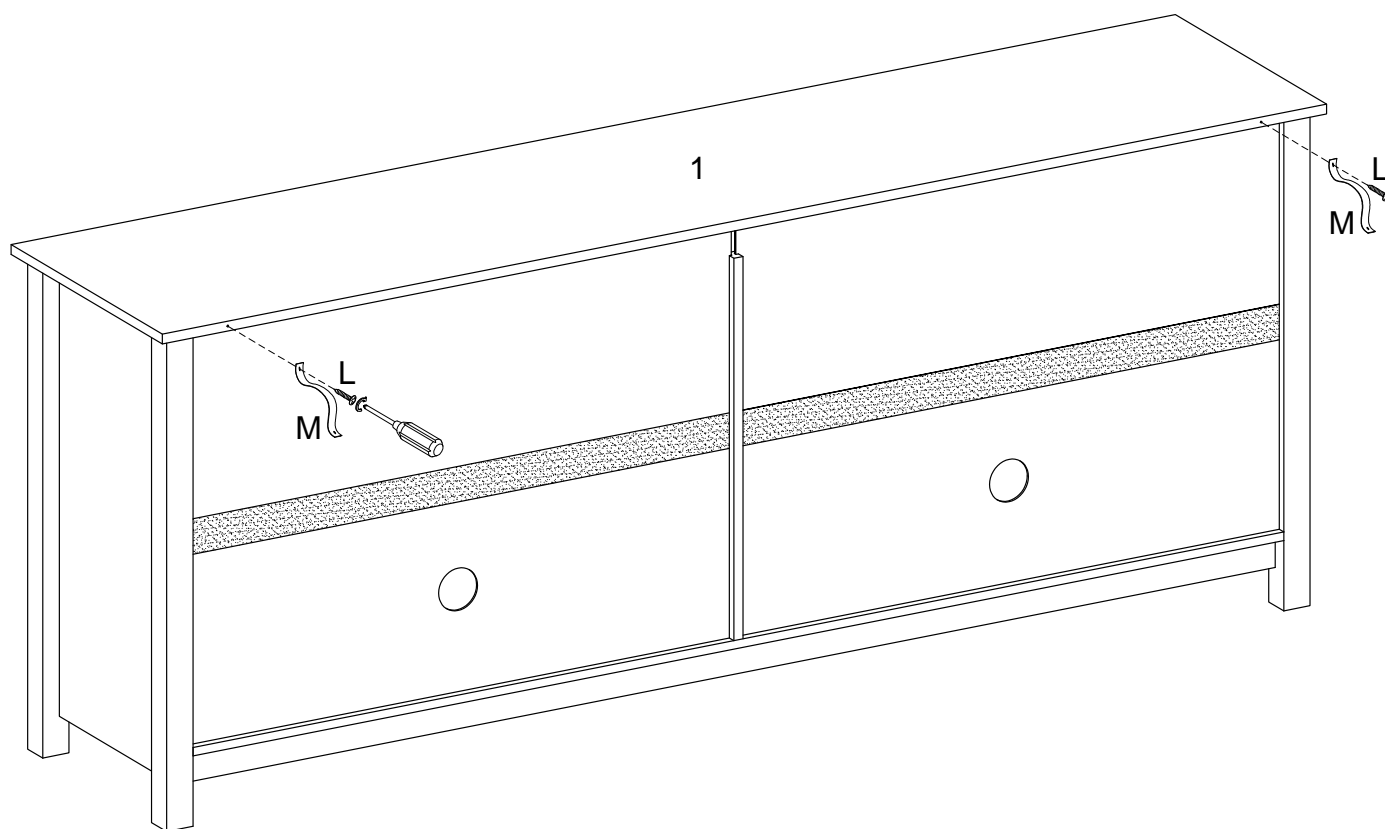
Step 21

Need a little balance? Adjust the leveler on the Middle Foot (8) if needed to keep everything steady.



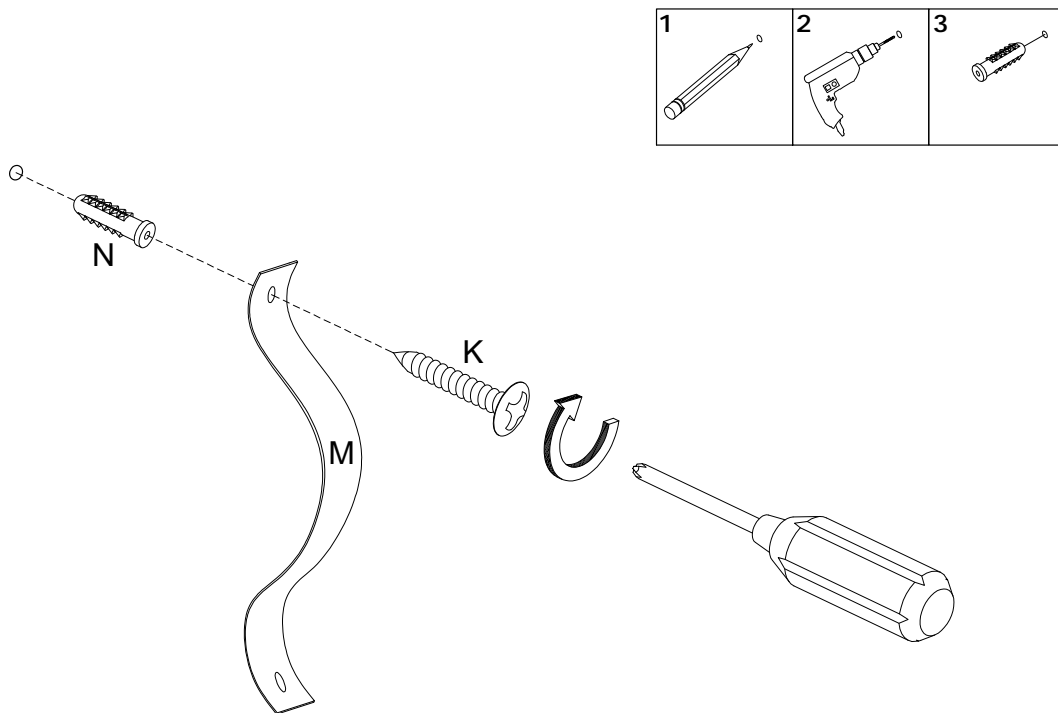
Step 22

Let's install the anti-tip kit! Use the screws (L) to attach the plastic strap (M) to the back of the Top Panel (1).



Step 23

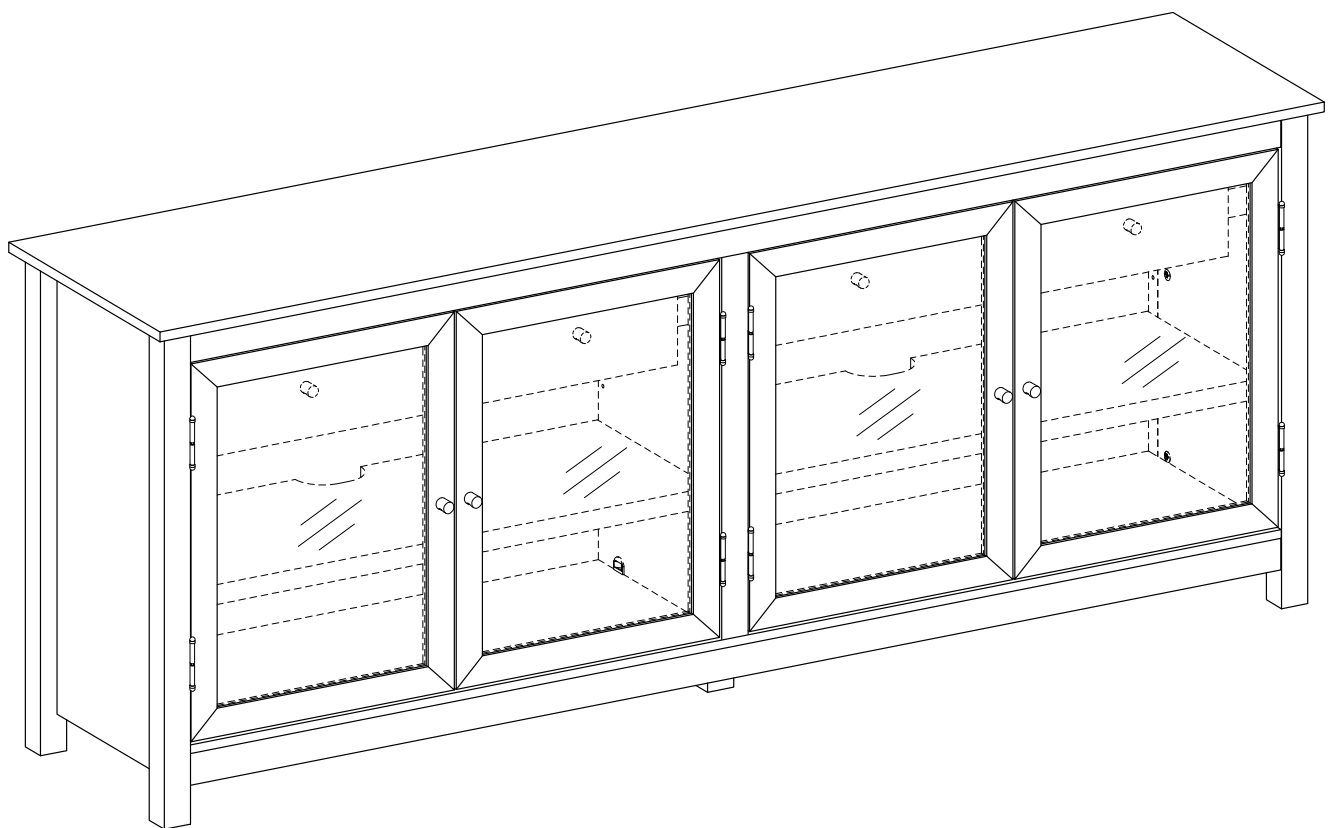
Secure the other end of the plastic strap (M) to your wall using the anchor (N) and screws (K). Now your furniture safe and sturdy.



Warning

Serious or fatal injuries can occur from furniture tipping over. To prevent the furniture from tipping over we recommend that it is permanently fixed to the wall. Wall anchor and hardware are included with this product. Please make sure hardware is suitable for your walls before installing, as different wall materials may require different types of anchors.

Final Assembly



Congratulations on your new piece of furniture!

We would love to hear about it and see it.
Please leave us a review or post a picture with
#mywalkerredisonhome

Assembling furniture can be tricky sometimes.

Our customer service team, located in Utah, is here for product information, help assembling a product, or for any other customer support issue

Call us at **801-433-3008**

Email us at service@walkeredison.com

Visit our Customer Service website at
walkeredison.com/pages/customer-service

We are available to help Monday -Thursday 8am-5pm, Friday
8am-3pm MST

For details on Assembly Videos, Assembly Instructions,
Replacement Parts, and Customer service,
SCAN HERE

