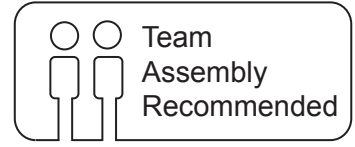
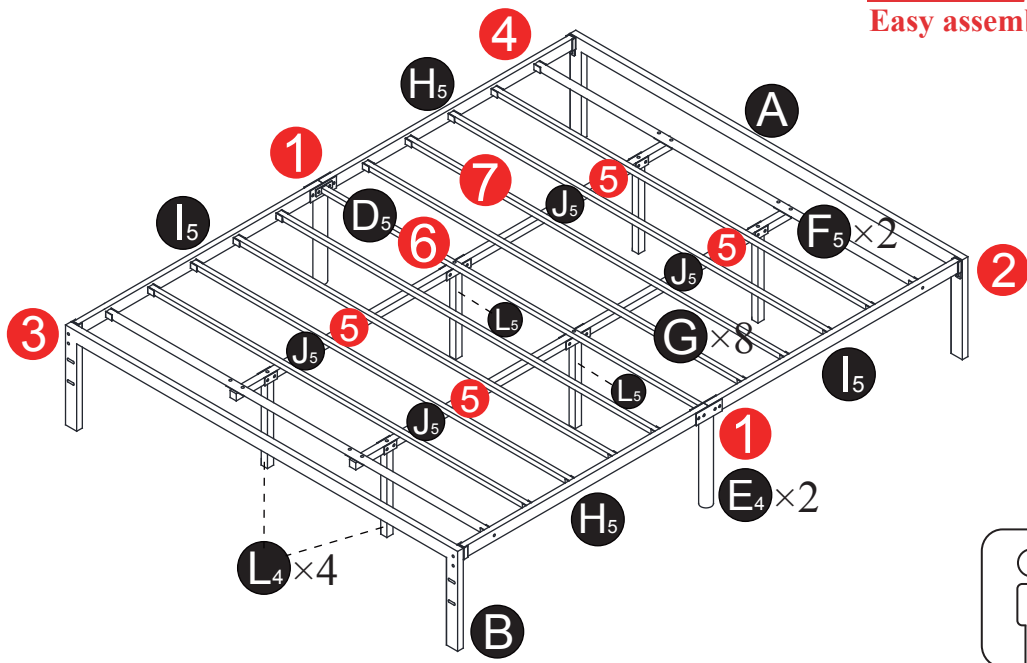


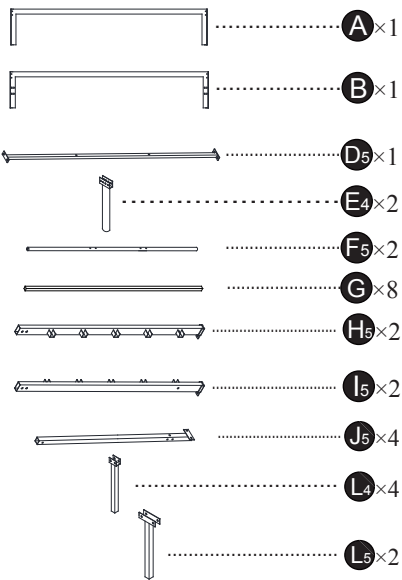
SKU:

Bed Frame Installation Manual

#Number System
Easy assembly by following 1,2,3...



Componets



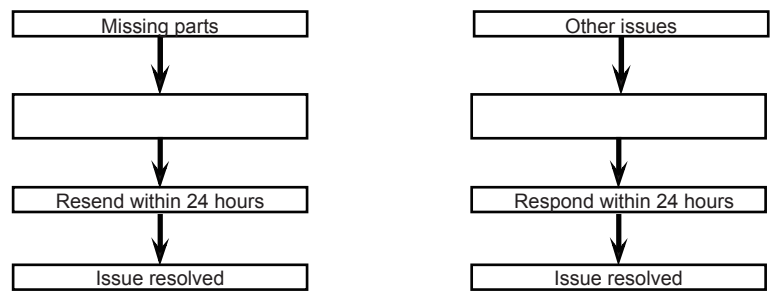
Screws & Tools

1		M8x40mm	x8
2		M8x35mm	x8
3		M6x60mm	x2
4		M6x40mm	x20
5		M6x30mm	x8
6		M6x15mm	x4
7			x8
8		M8	x12
9		M6	x20
10		M5	x1
11		M13/M10	x1

Return Policy

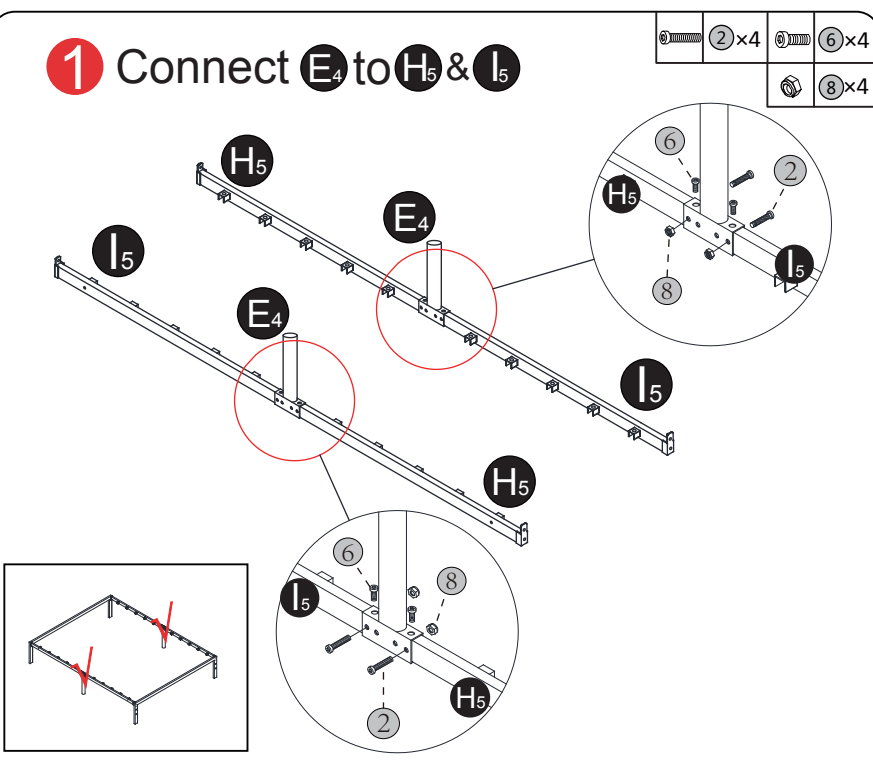
We believe you will absolutely love your Metal platform bed. But if for some reason you want to return the foundation, please contact us directly before you decide to return your product. Our customer service organization can answer most concerns and assist you with any questions you may have about your new foundation.

Trouble shooting:

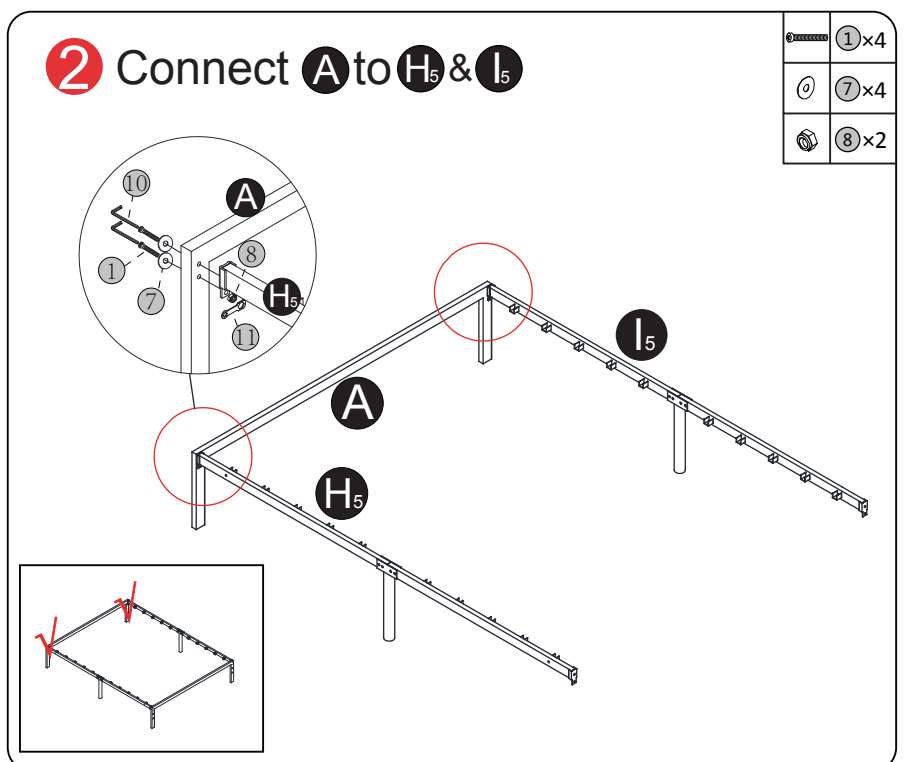


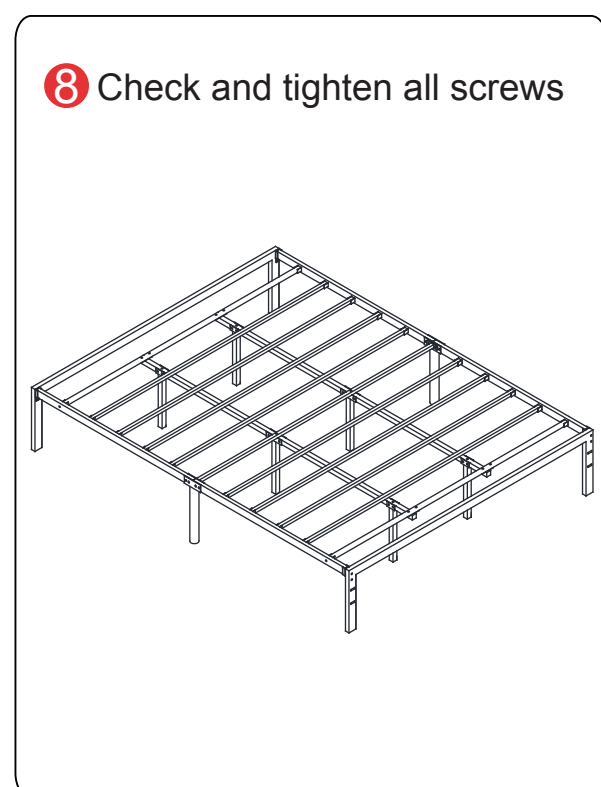
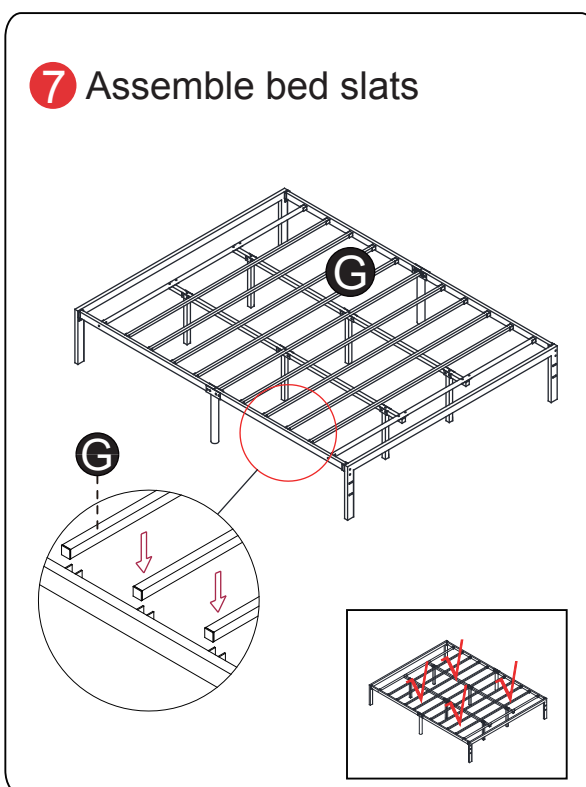
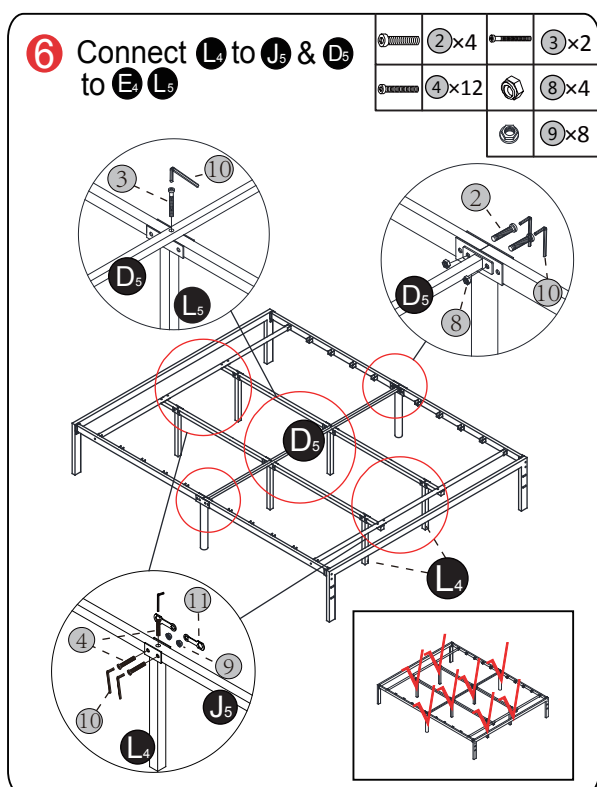
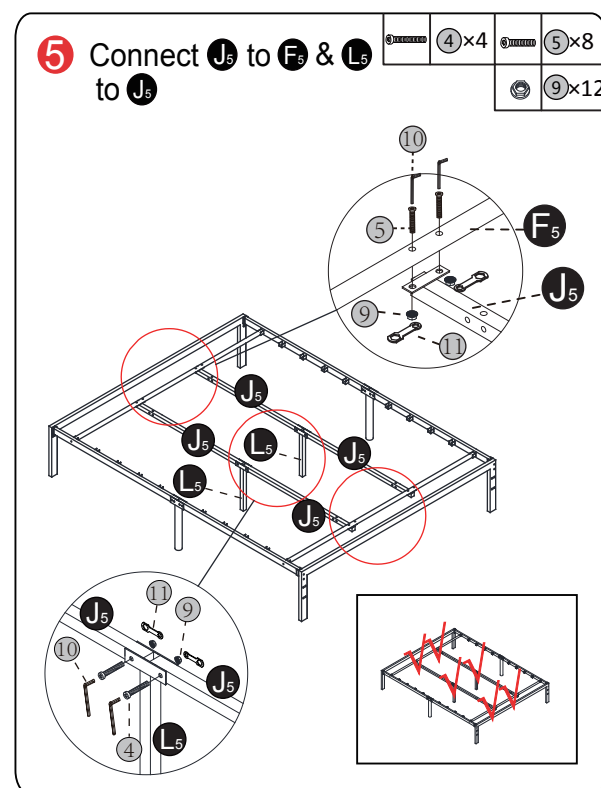
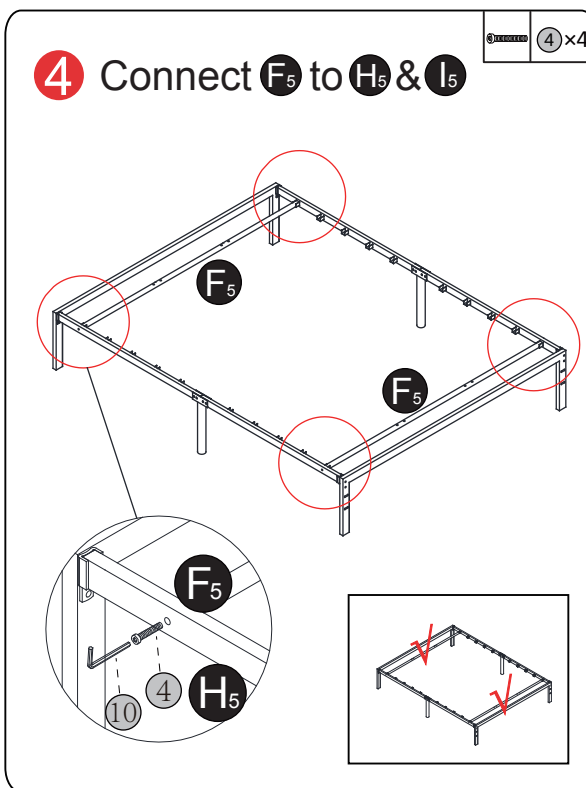
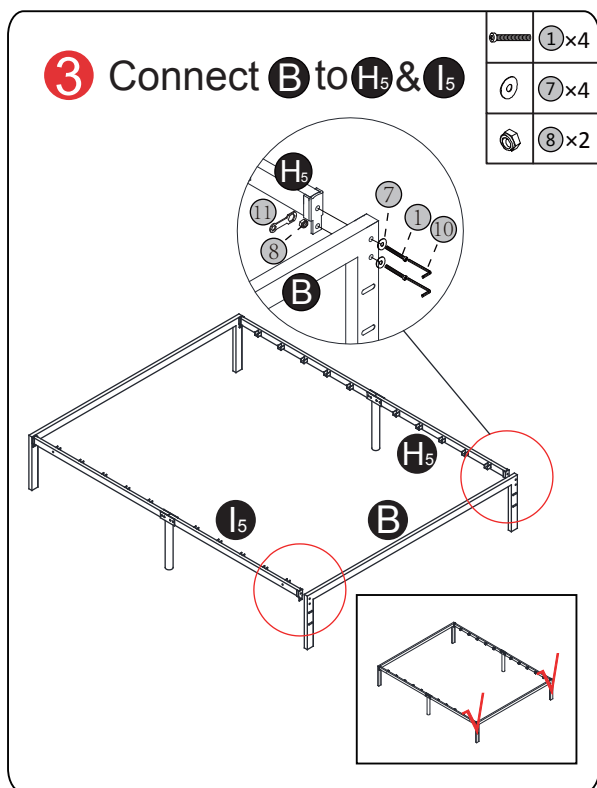
We control manufacturing and distribution ourselves, ensure the quality.

1 Connect E₄ to H₅ & I₅



2 Connect A to H₅ & I₅





CAUTIONS!

