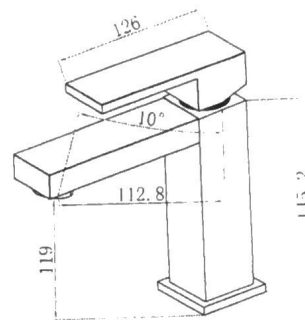


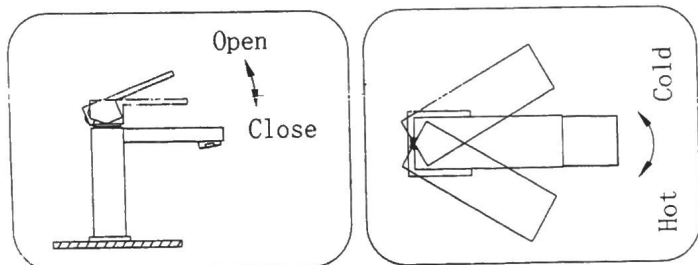
Installation Guide

Dimension



Directions for use:

- 1, open water, to test whether the joint leakage.
2. Hand pluck up to open, the greater the Angle, the greater the flow; Conversely, the smaller the Angle, the smaller the flow, until the close; When the handle upwards, adjust to the left, hot water supply increased, to the right to adjust, the cold water supply increase.

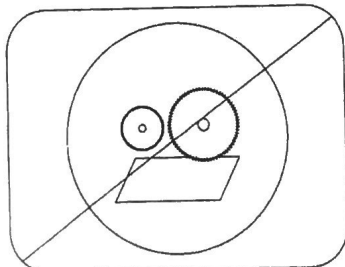
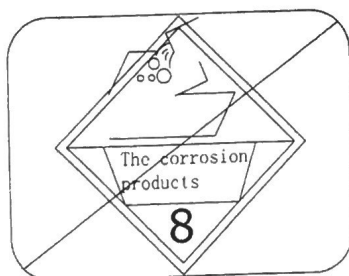


Maintenance and maintenance

the use of water and soft cloth to remove surface dirt.

Remove surface dirt, can use the following detergent.

- Mild liquid detergent
- Colorless glass detergent
- Don't have grinding effect of detergent



product manual

Connection: G1/2 " or G3/8"

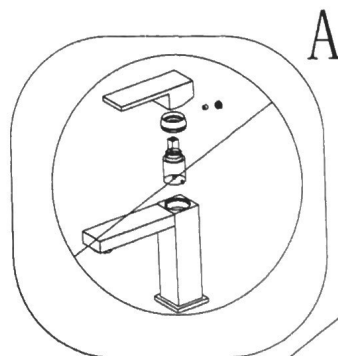
Working Pressure: 0.1-0.6 mpa

Working Temperature: water $\leq 80^\circ$

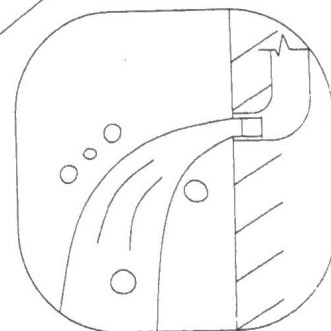
Inspection standard: GB18145-2014

Installation Precautions

- The main body of the valve have been tested before package, pls do not disassemble by yourself. As shown in Figure A below
- Before installing the faucet, be sure to clean up the impurities, sludge and sand in the buried pipe. so as not to block the faucet and affect the water function.
- Working pressure is 1-6kg / cm² (including hot and cold water).

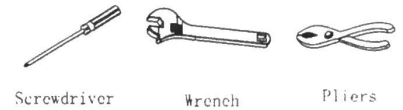


B



Installation Guide

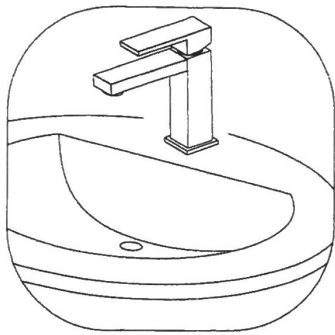
Tools



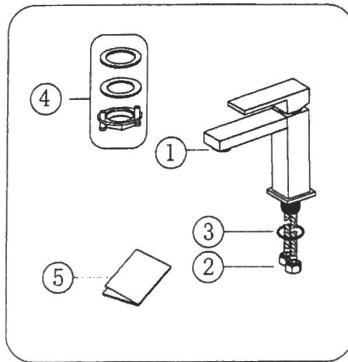
Basin faucet

1. Would you please after open the box Check whether the spare parts are complete, if there are any absence or defects, please immediately contact the local dealer.

As shown in the below figure .

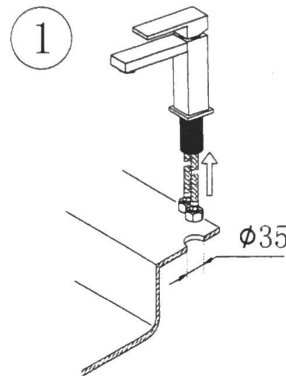


NO	Description	Material
1	The faucet suite	1
2	The water hose	2
3	O-Ring(washer)	1
4	Fixed components	1
5	The instructions	1

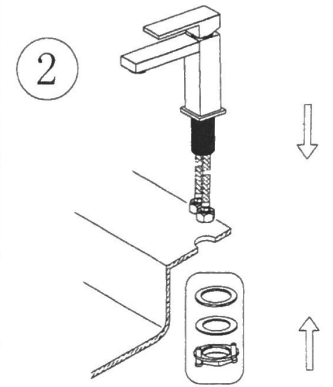


2. Buy the basin faucet to match the installation dimensions for this product.

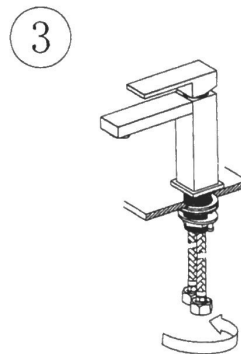
Installation steps:



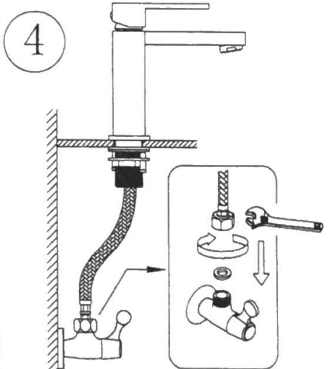
1, before installation, please make sure the basin surface hole have $\text{Ø}35\text{mm}$ and then discharge the fixed set.put the sealing washer into the base.



2, Connect the hoses before insert the faucet into the hole. According to the take down steps of the fixed set to connect to the faucet main body.



3, Using a wrench, tighten the nut on the fixed set with a screwdriver (cross screws). tighten the faucet strongly.



4, the two water hoses connect the Angle valve. According to the tip of the handle of angle valve "red" "blue" respectively, connect to the hoses for hot and cold water.