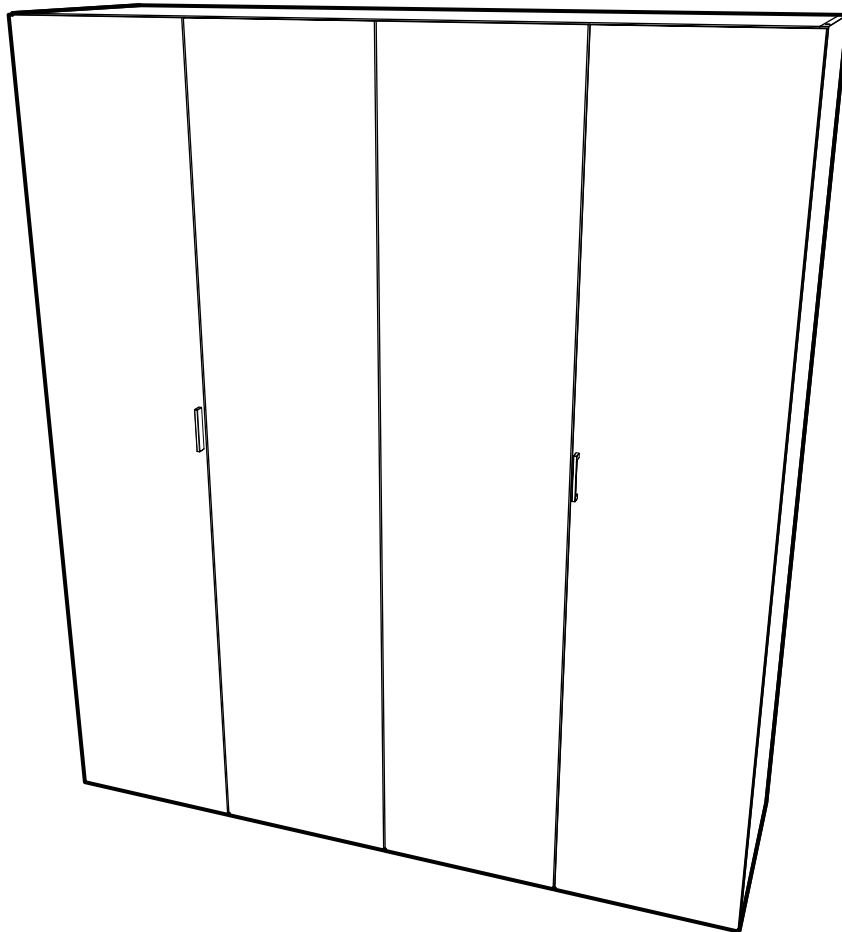
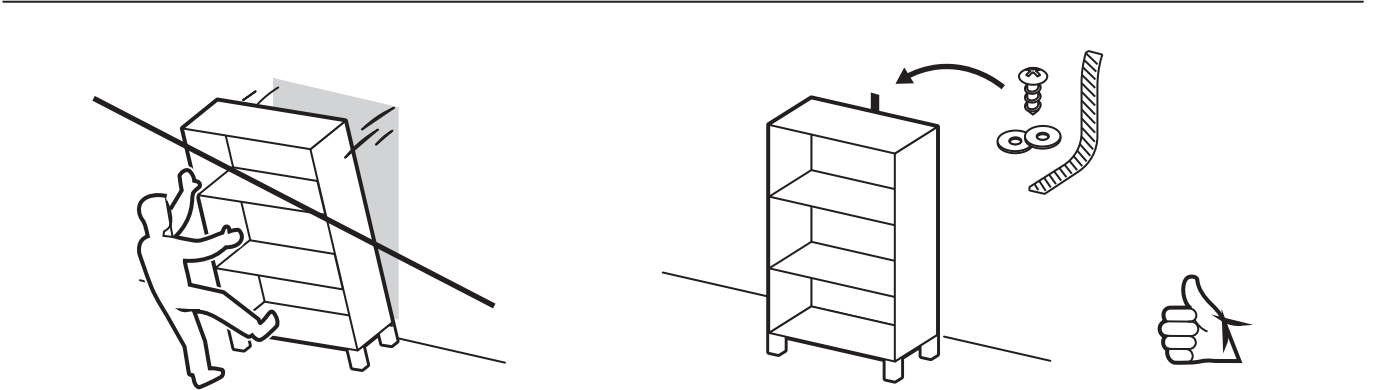
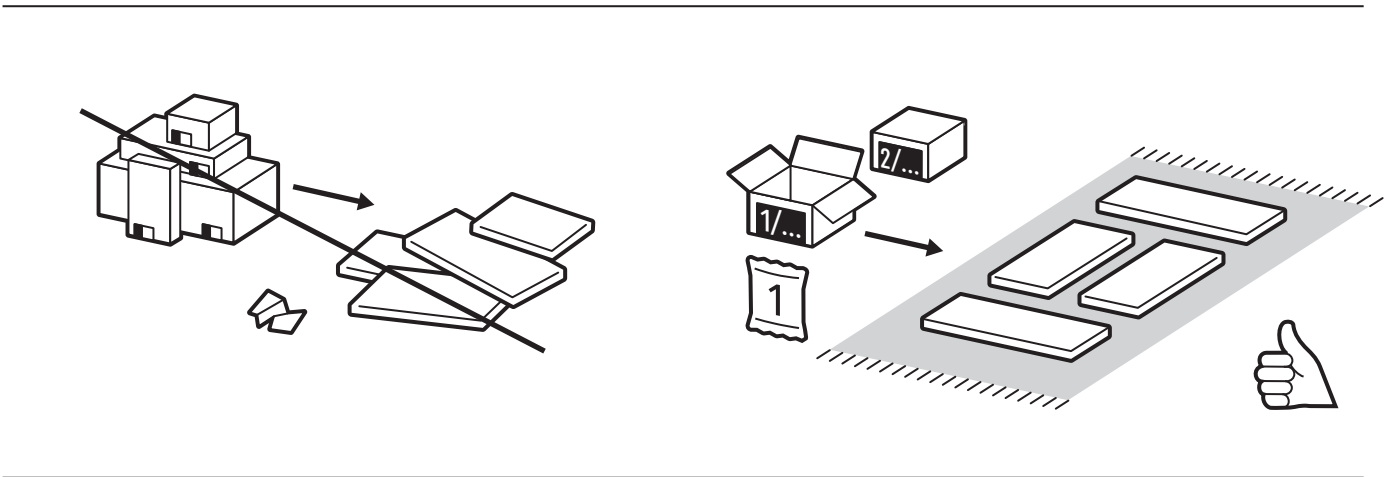
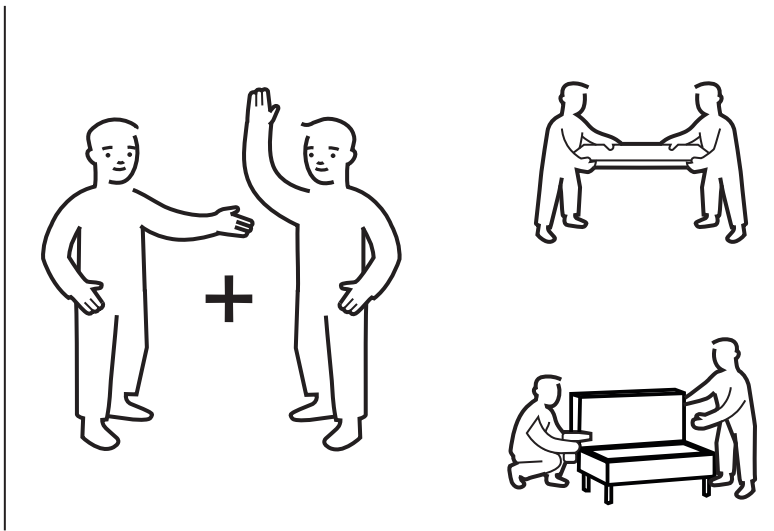
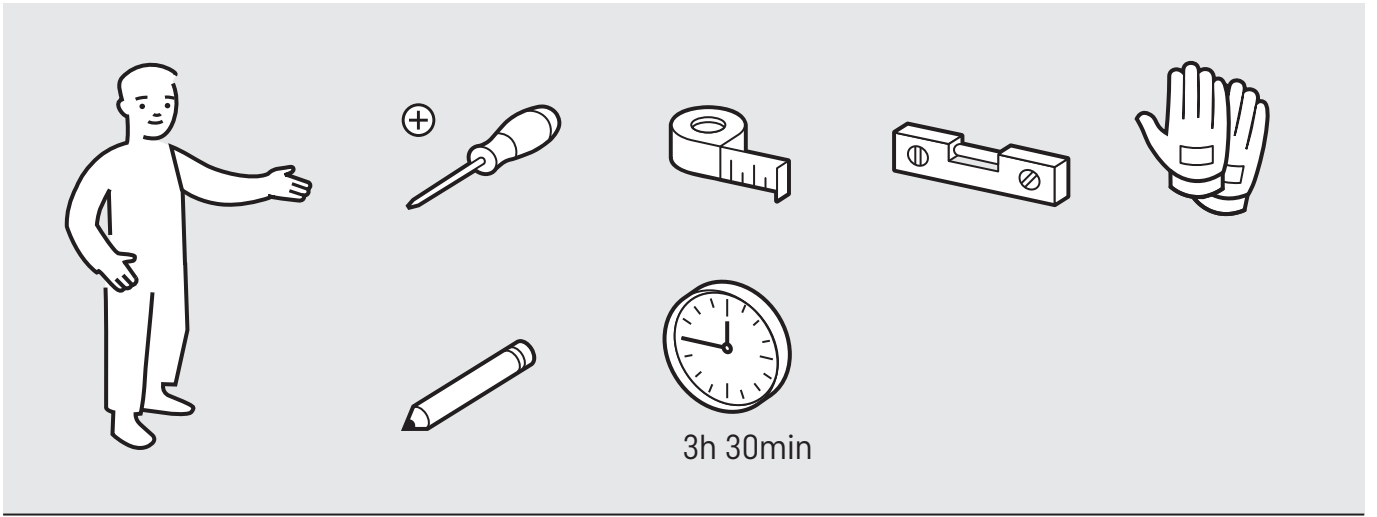
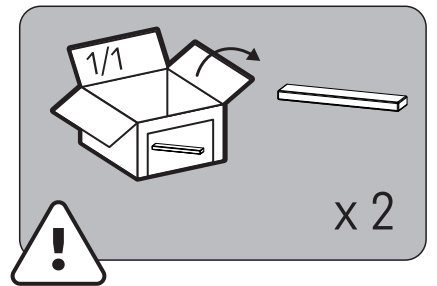
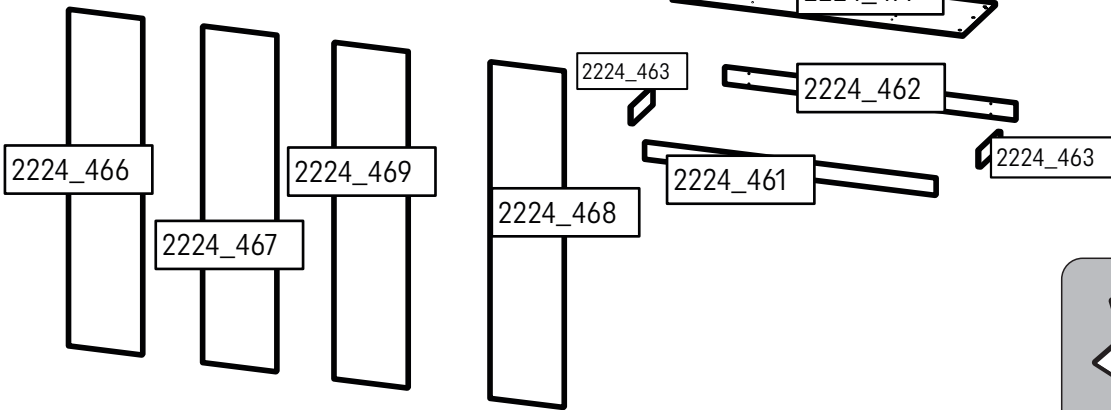
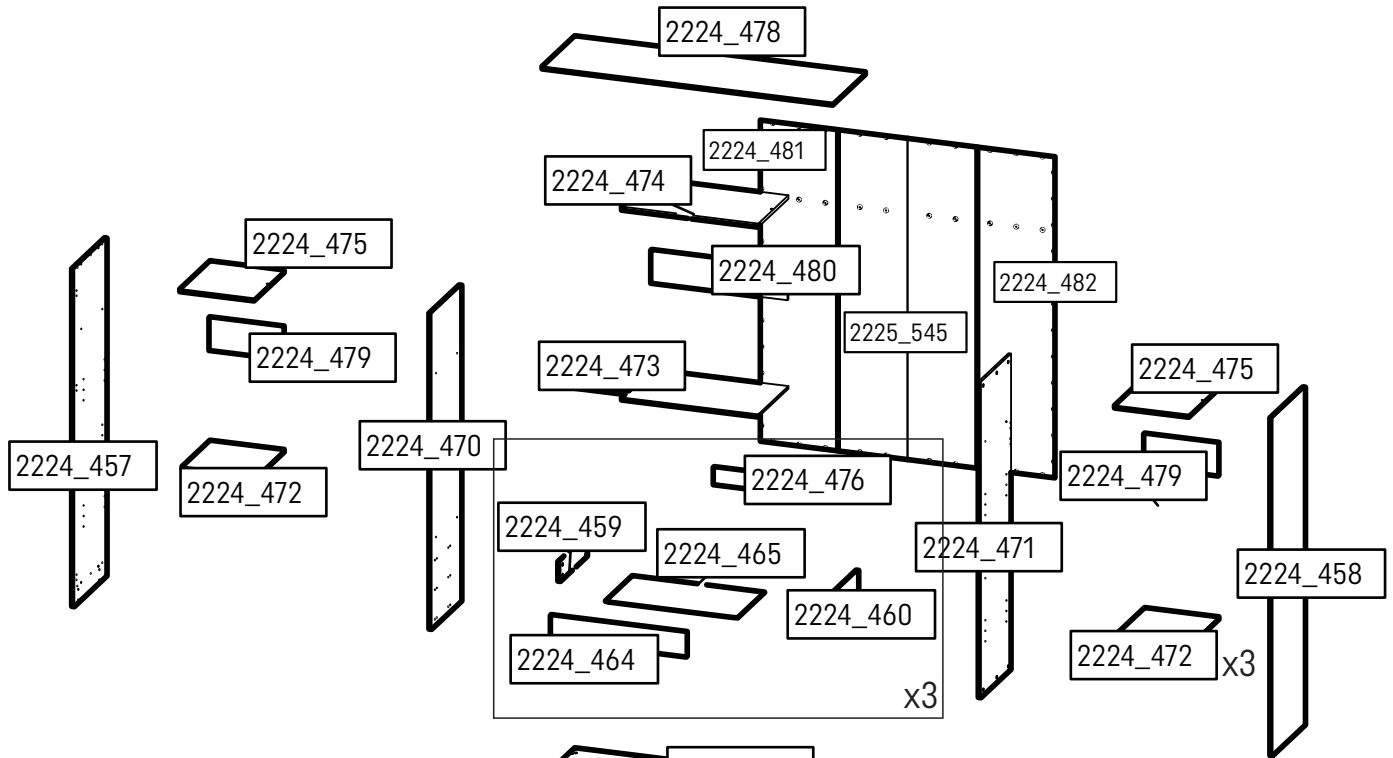
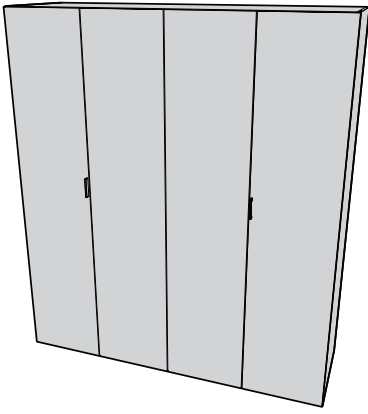
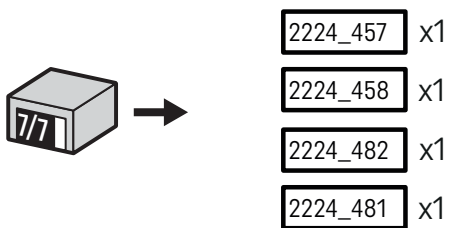
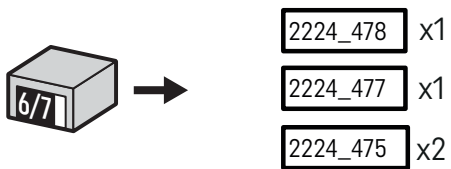
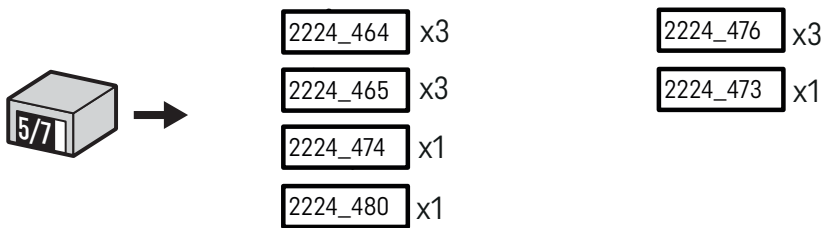
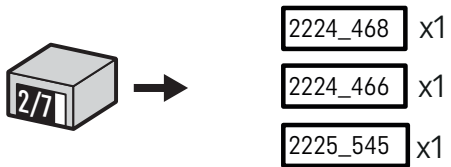
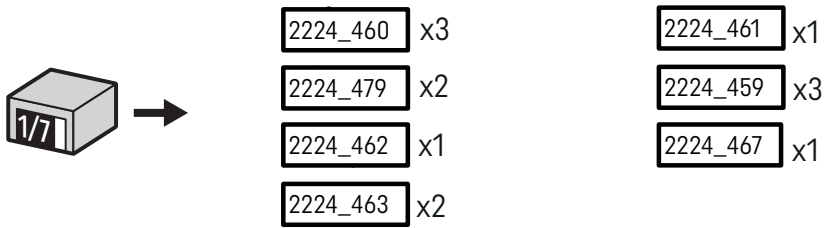
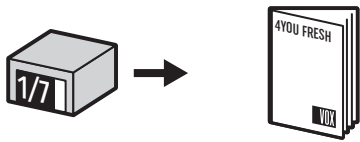



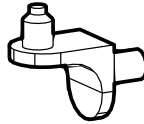
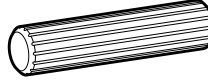


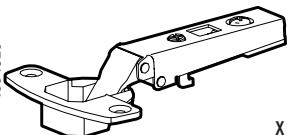
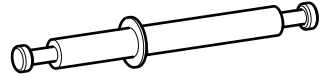
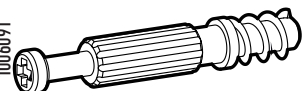
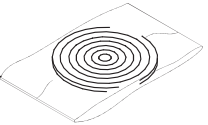
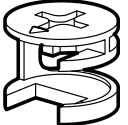

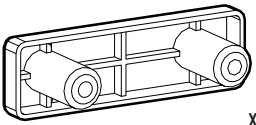
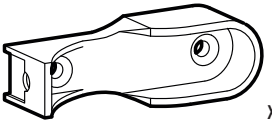
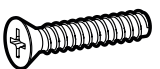
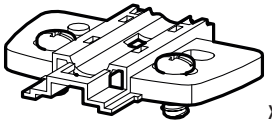
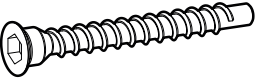
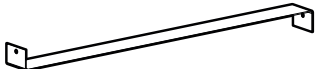
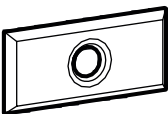
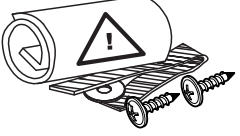

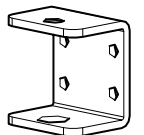
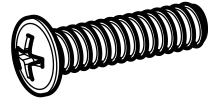
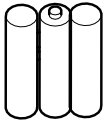

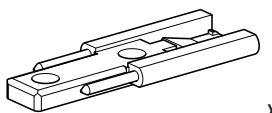
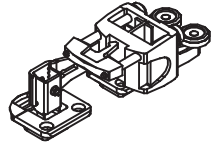
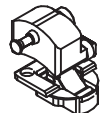
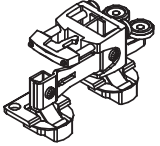
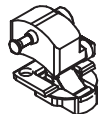
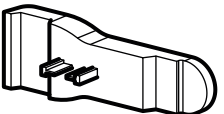
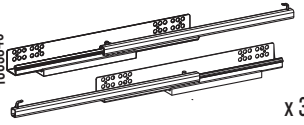




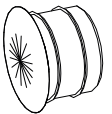
180x57x206 cm  
71x22 ½x81"

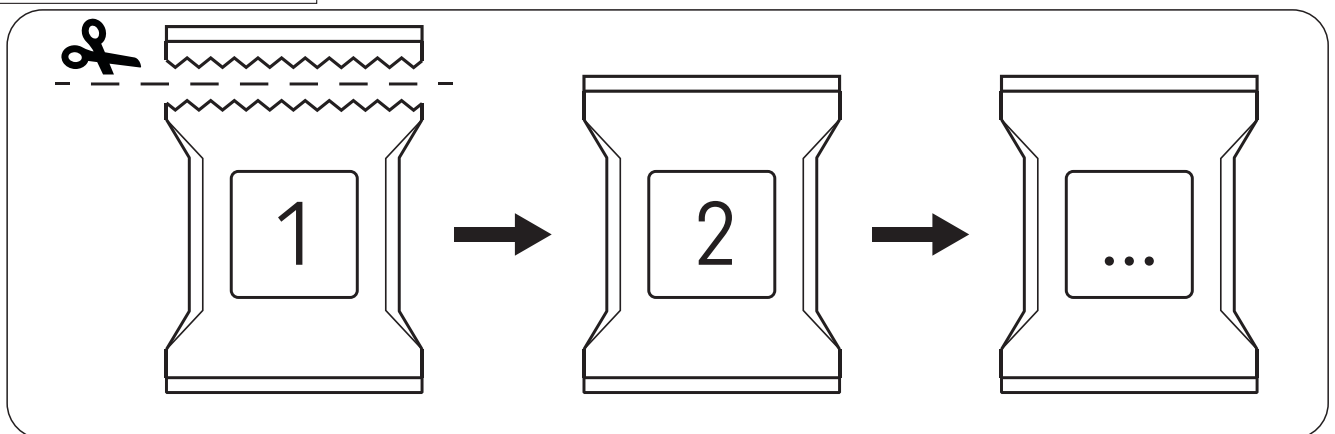




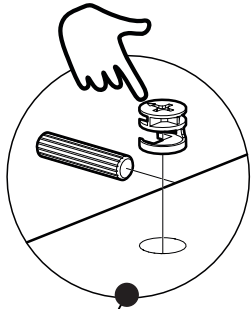


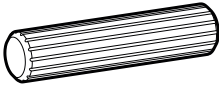
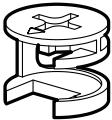
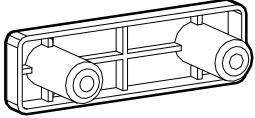


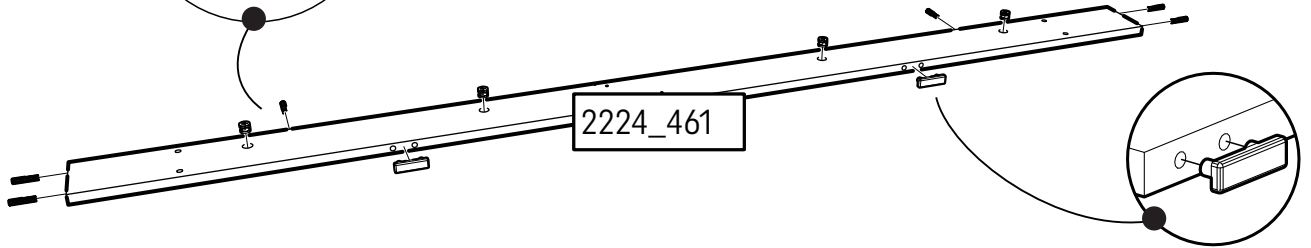
1000806  x 1	1001262  x 32	1005867  x 50	1005641  x 4
1005681  x 84	1004820  x 8	1005581  x 4	1006071  x 48
1101595  x 1	1005990  x 56	1006012  x 99	1000868  x 8
1000225  x 6	1005590  x 4	1003526  x 8	1005876  x 12
1002479  x 3	1000242  x 24	1000893  x 2	1005713  x 24
1000898  x 3	1101778  x 6	1105204  x 3	1104157  x 3
1123189  x 8	1123181  x 1	1123183  x 1	1123182  x 1
1123184  x 1	1123187  x 2	1003845  x 3	1006088  x 3
1123188  x 8	1101337  x 2	1003866  x 1	
1000959  x 3			



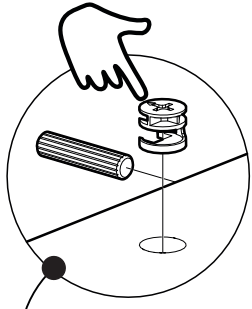
1

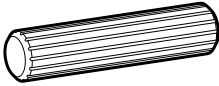
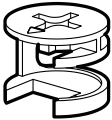
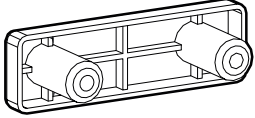


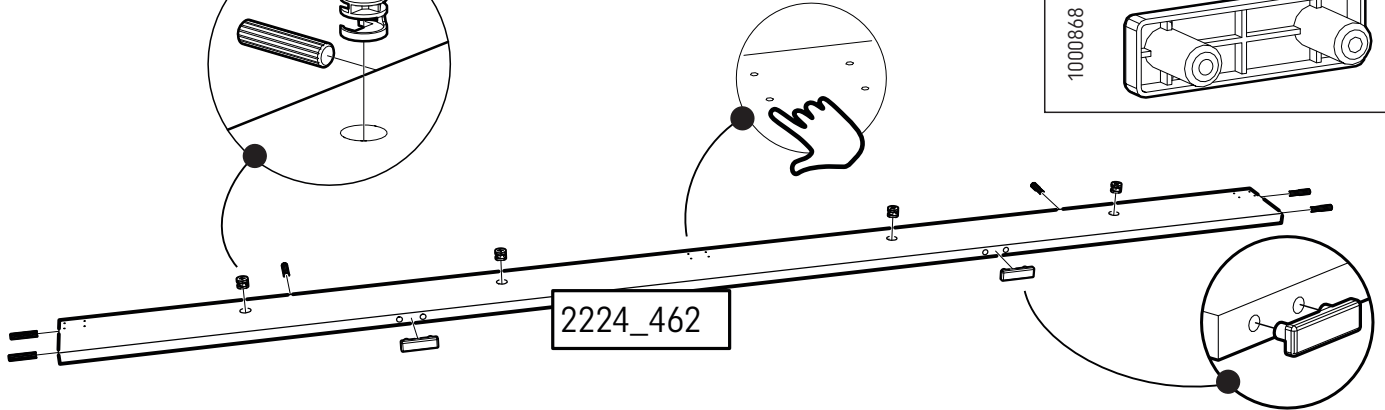
1	1005857	 x 6	 1005990 x 4
		 1000868 x 2	




2

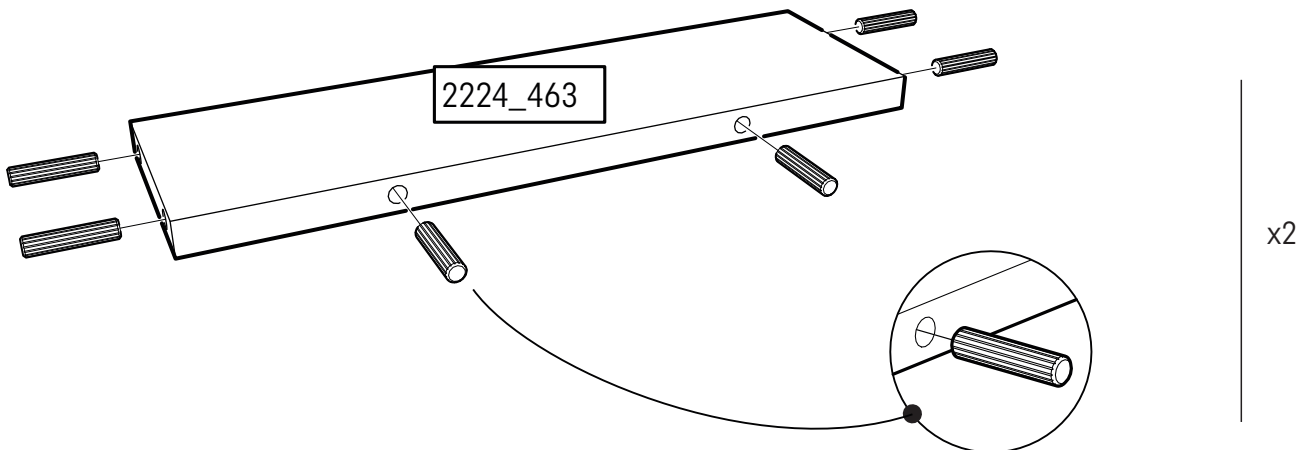


1	1005857	 x 6	 1005990 x 4
		 1000868 x 2	

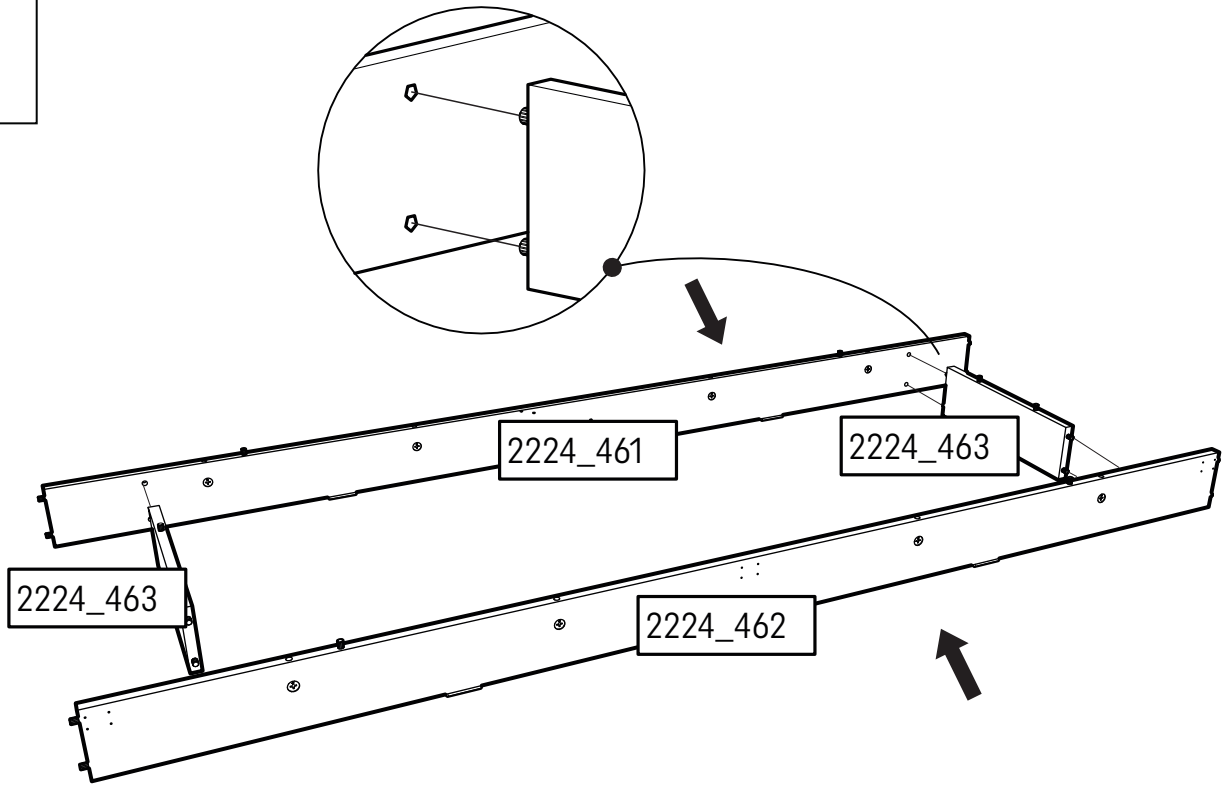


3

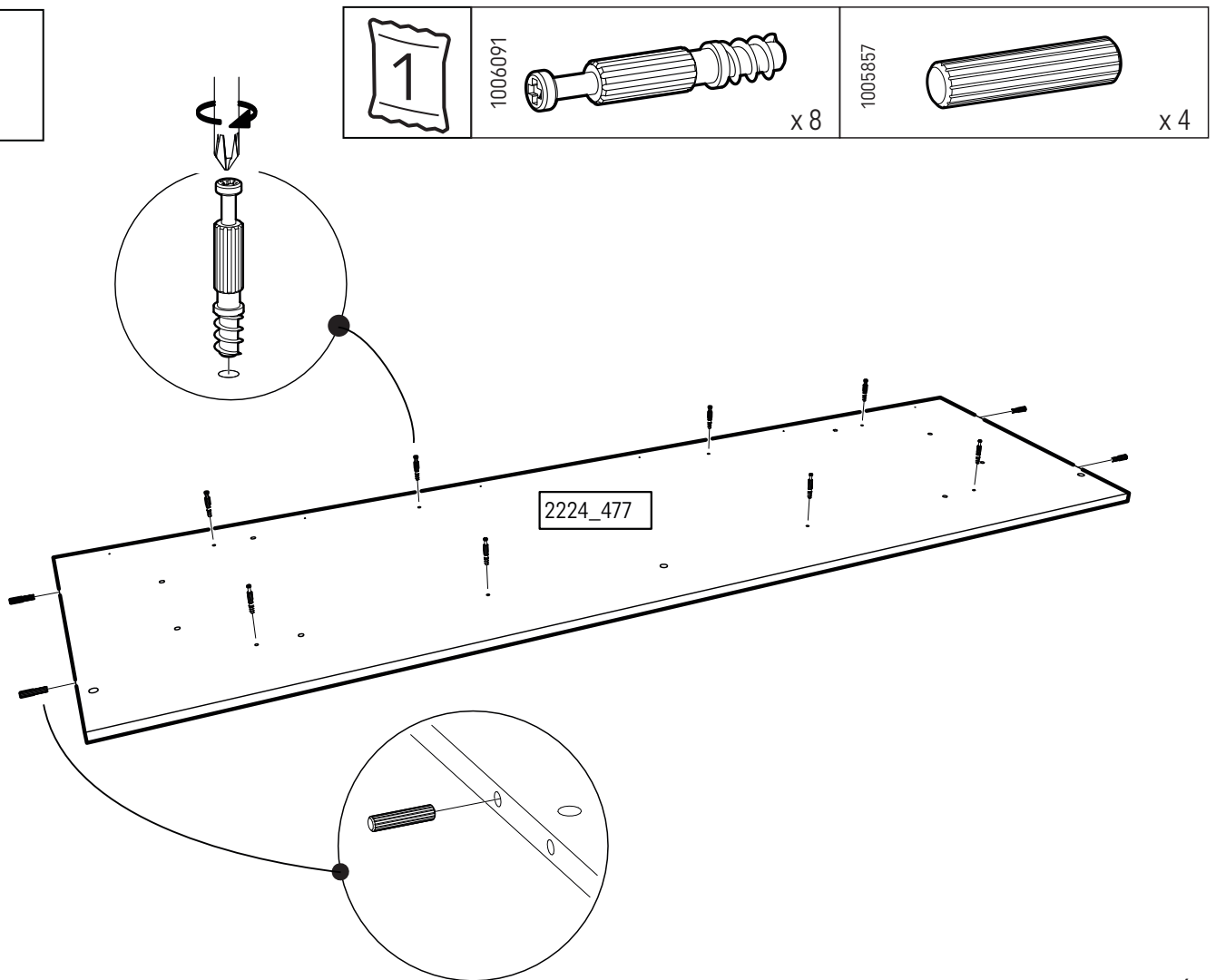
1	1005857	 x 12
---	---------	---





4

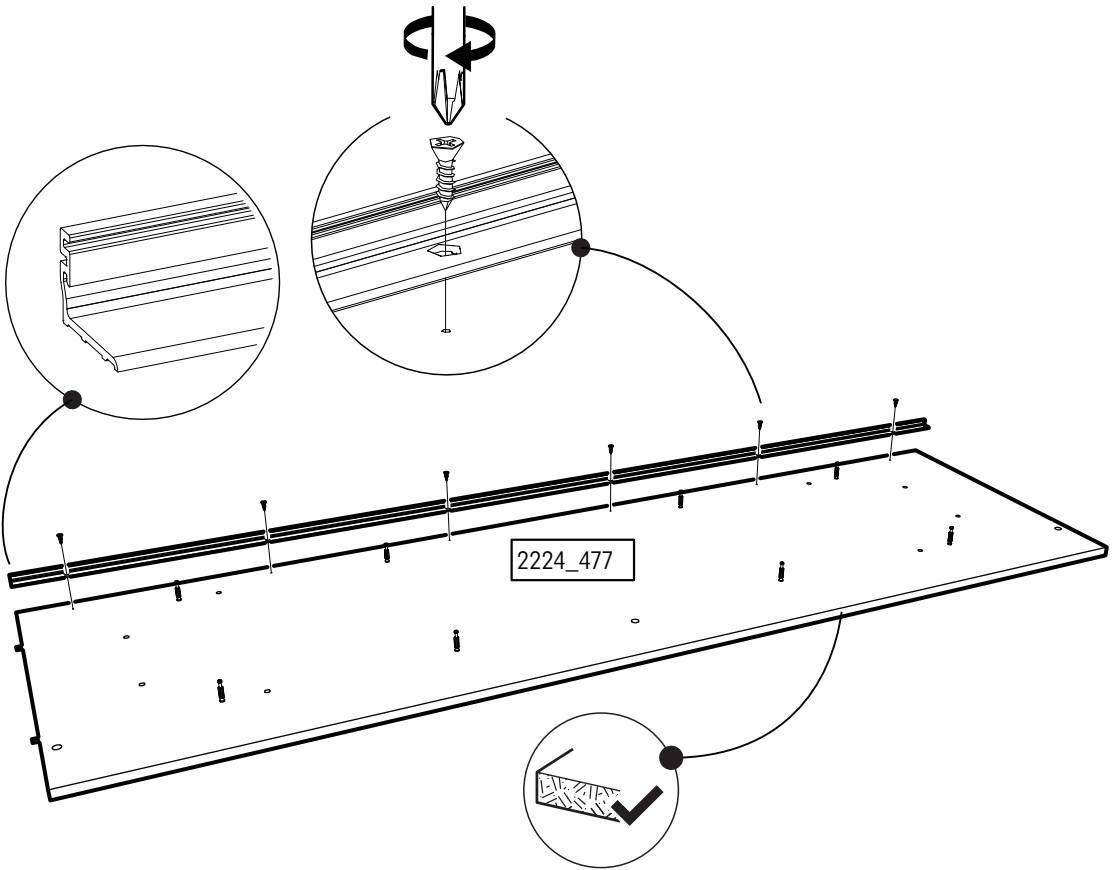


5

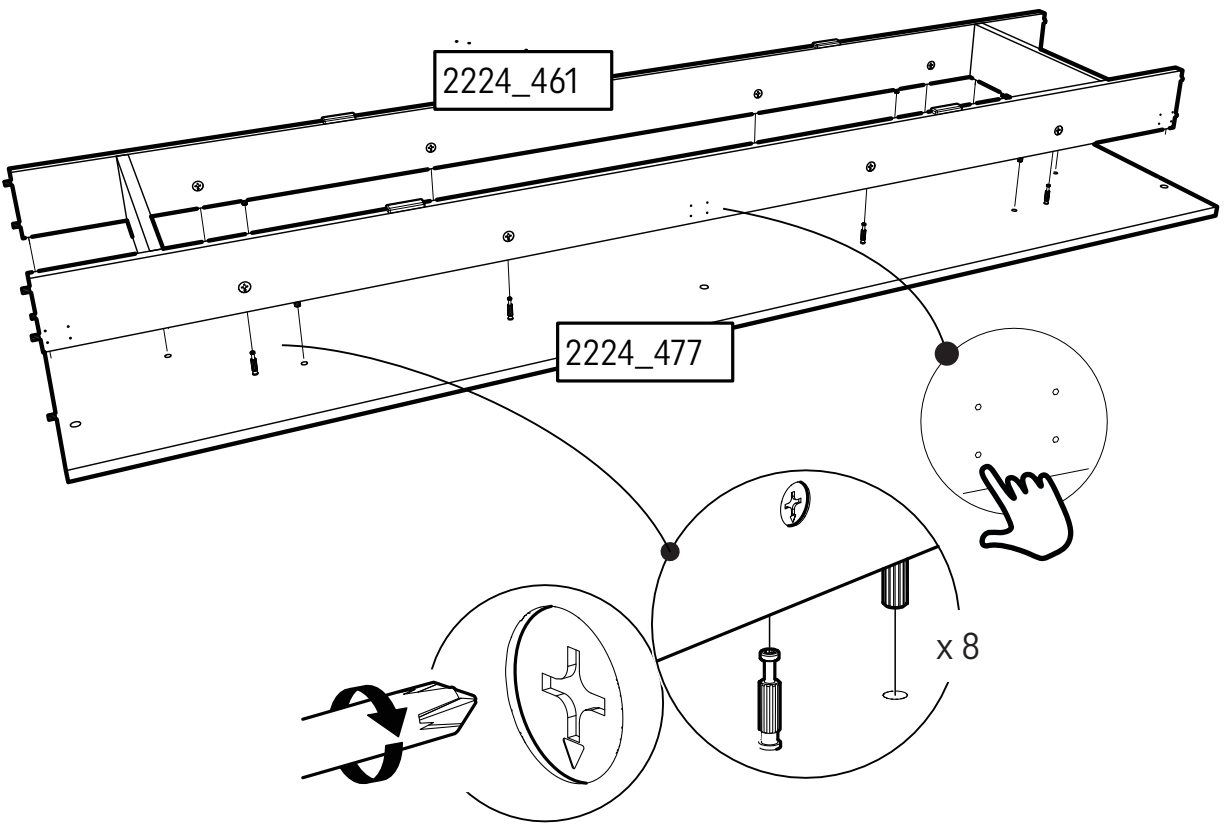


6


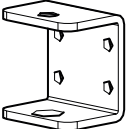


 <p>1</p>	<p>1005681</p>	 <p>x 6</p>
---	----------------	---

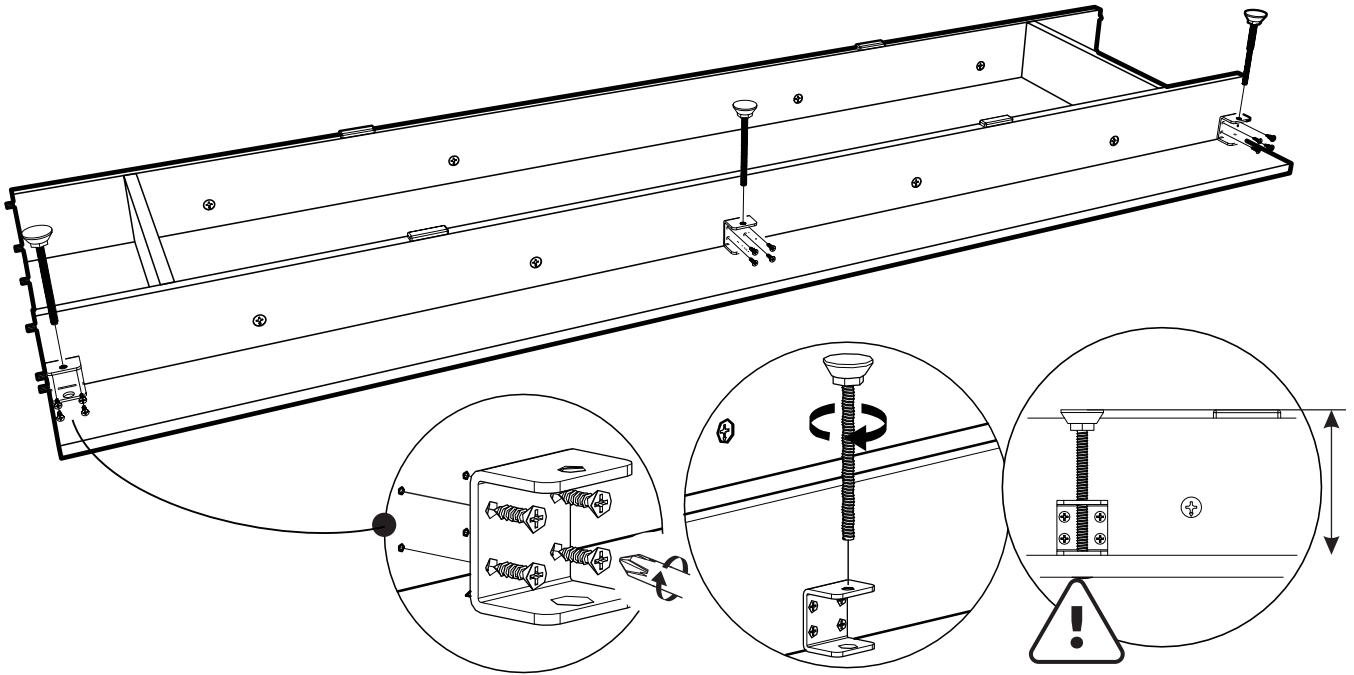


7

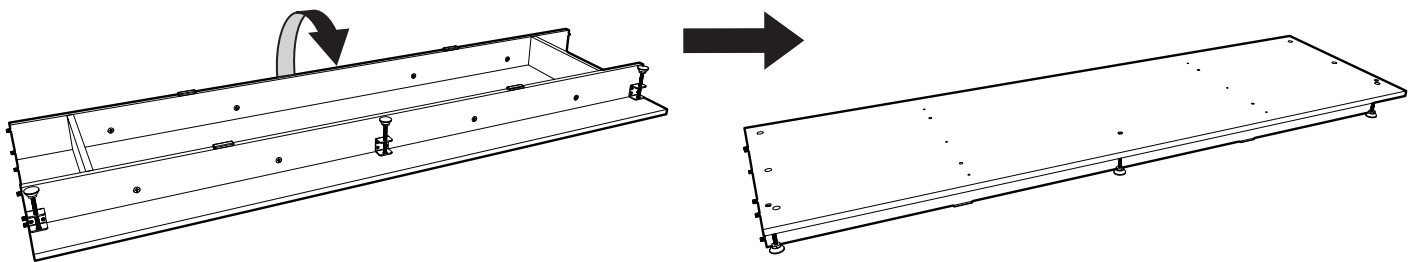


8


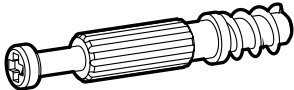
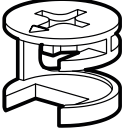
 <p>2</p>	<p>1000898</p>	 <p>x 3</p>	<p>1005681</p>  <p>x 12</p>
		<p>1006088</p>  <p>x 3</p>	

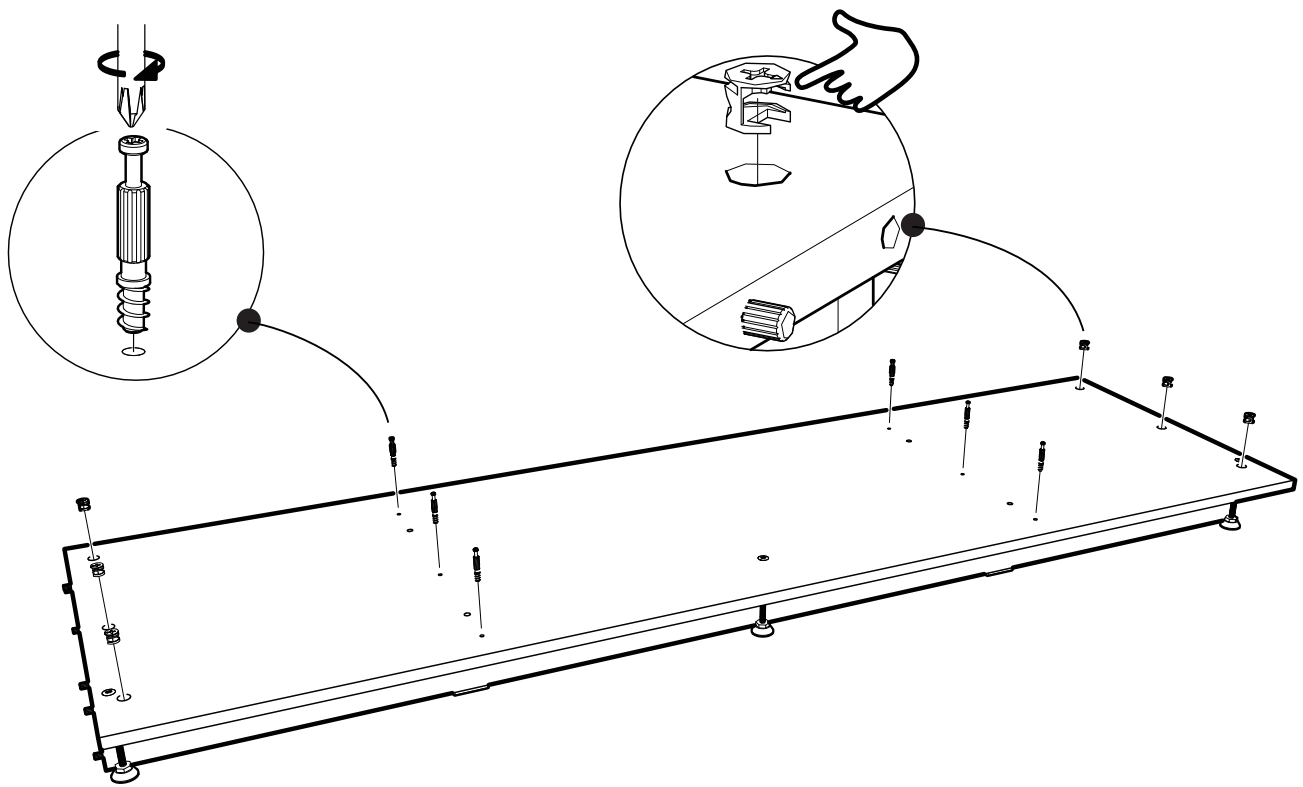


9



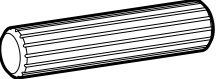
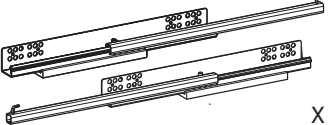


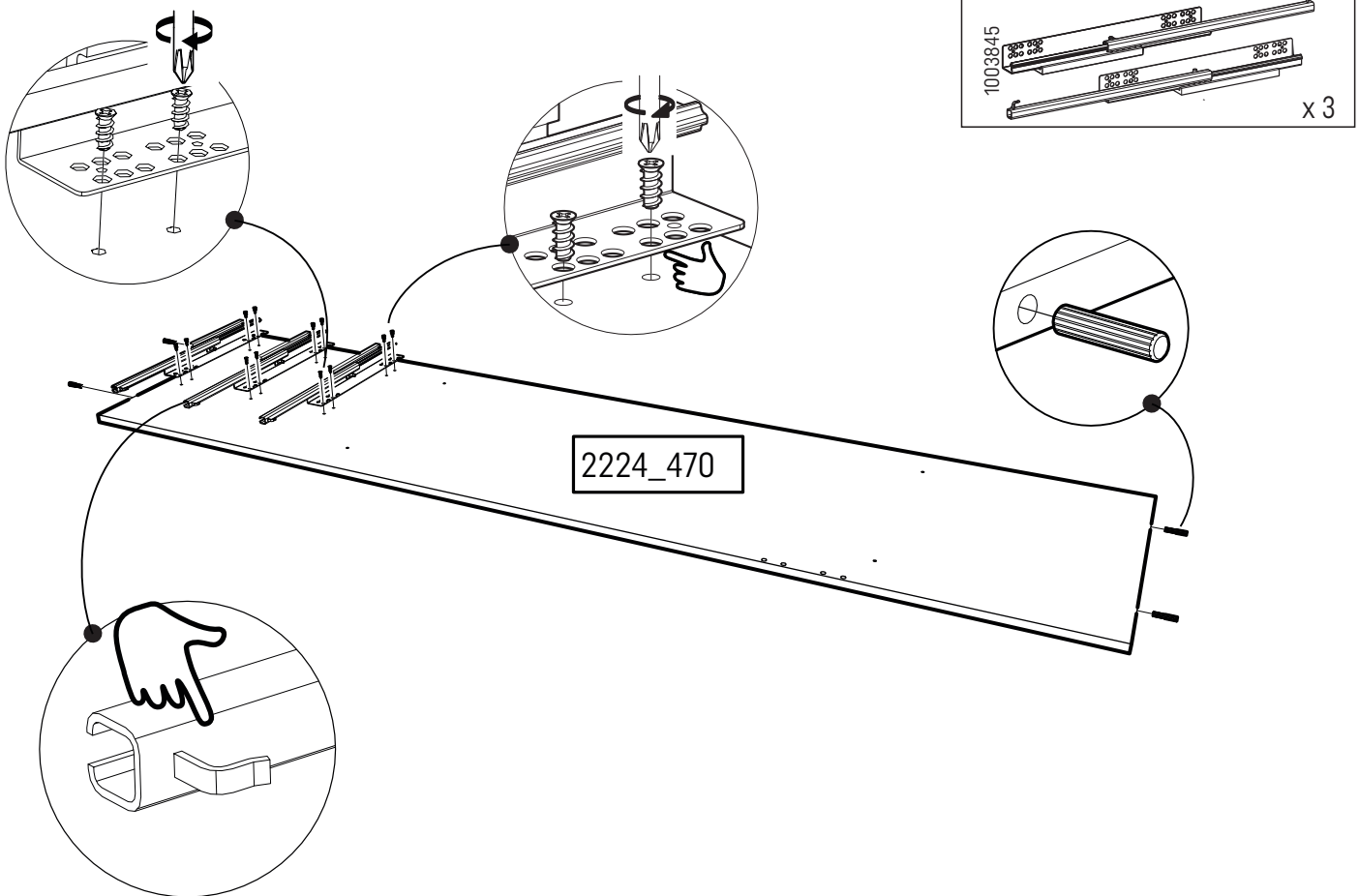
10

 <p>2</p>	<p>1006091</p>  <p>x 6</p>	<p>1005990</p>  <p>x 6</p>
---	---	--



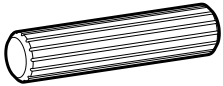
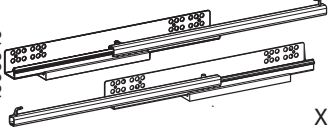


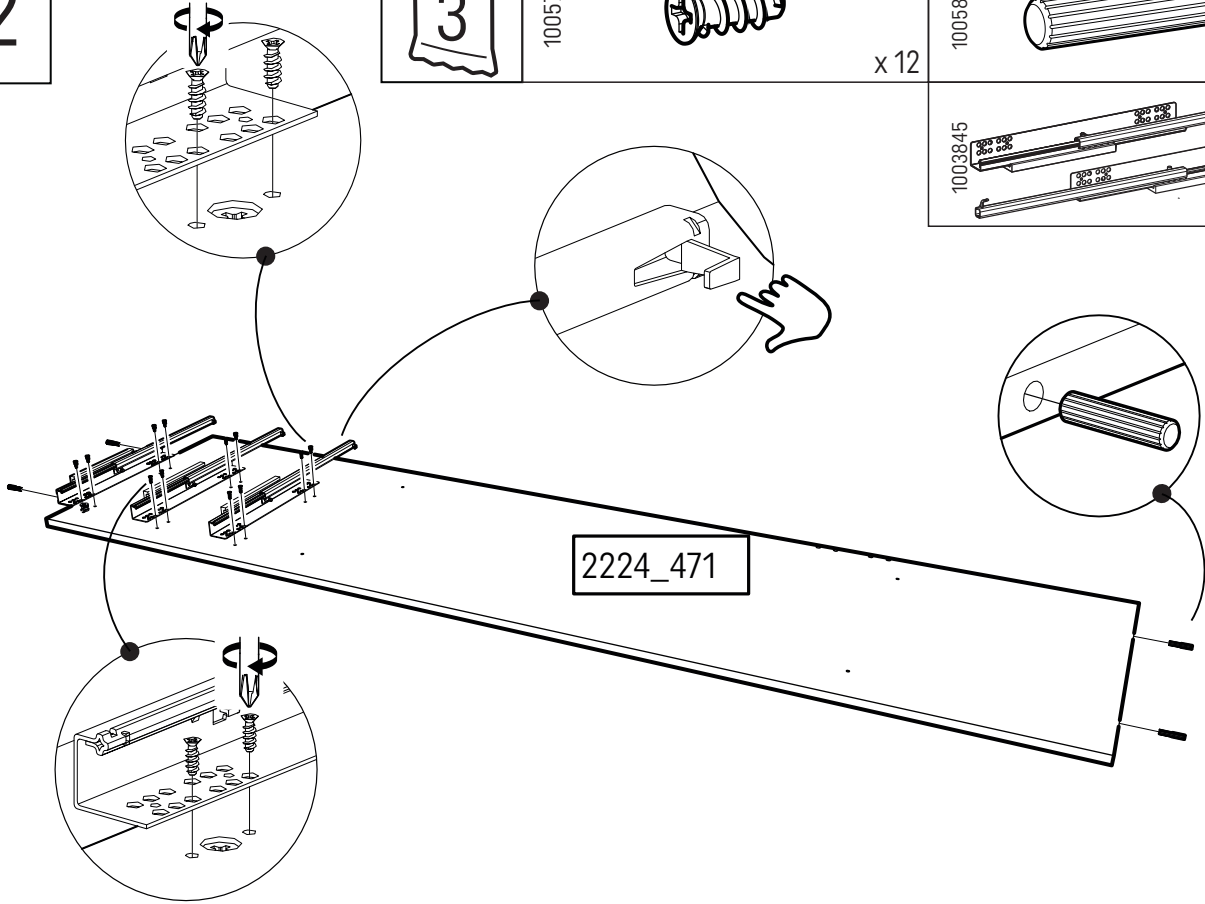
11

 <p>3</p>	<p>1005713</p>  <p>x 12</p>	<p>1005857</p>  <p>x 4</p>
		<p>1003845</p>  <p>x 3</p>


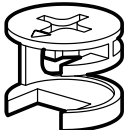


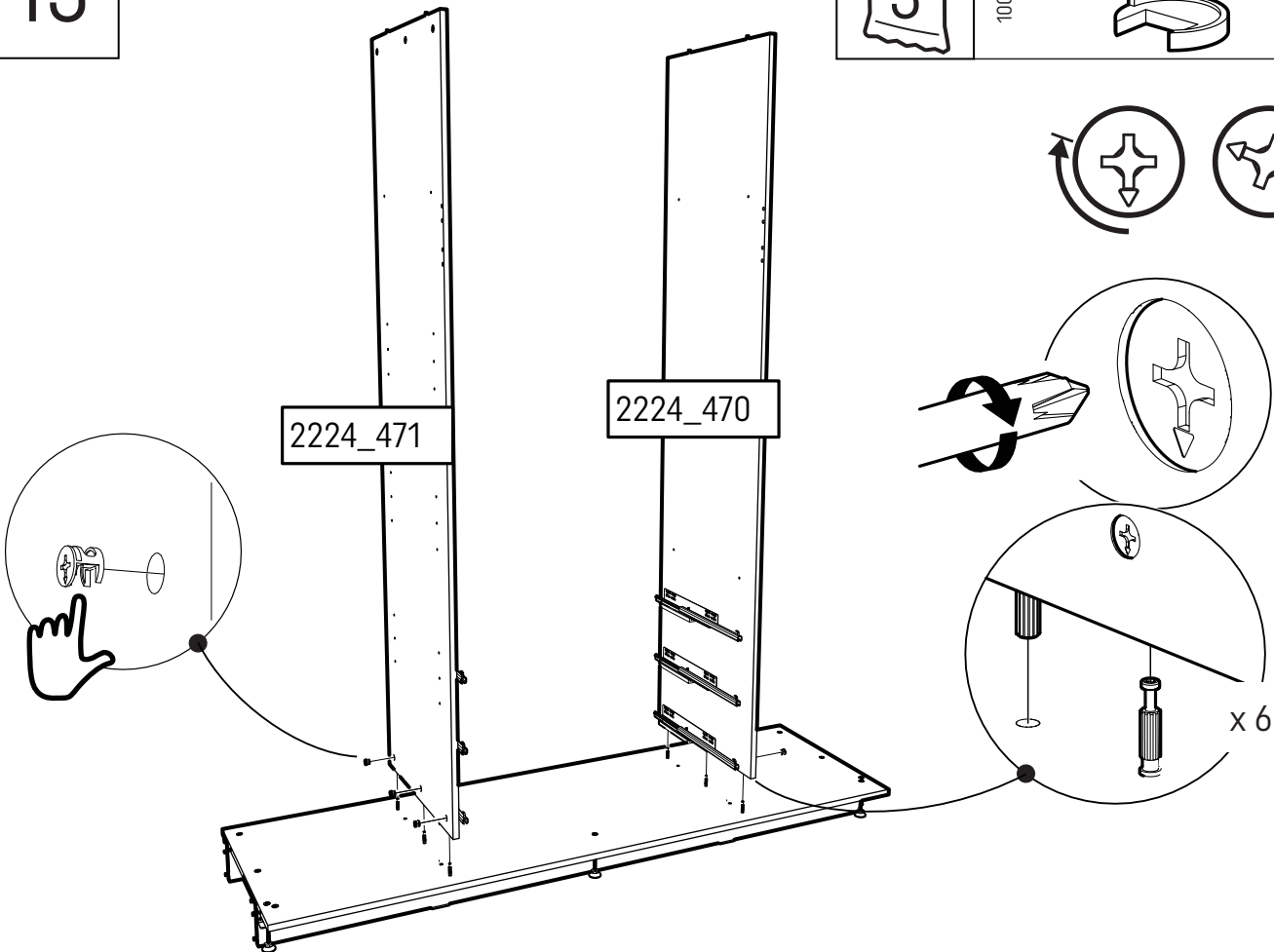
12

 <p>3</p>	<p>1005713</p>		<p>x 12</p>	<p>1005857</p>  <p>x 4</p>
		<p>1003845</p>  <p>x 3</p>		


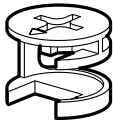


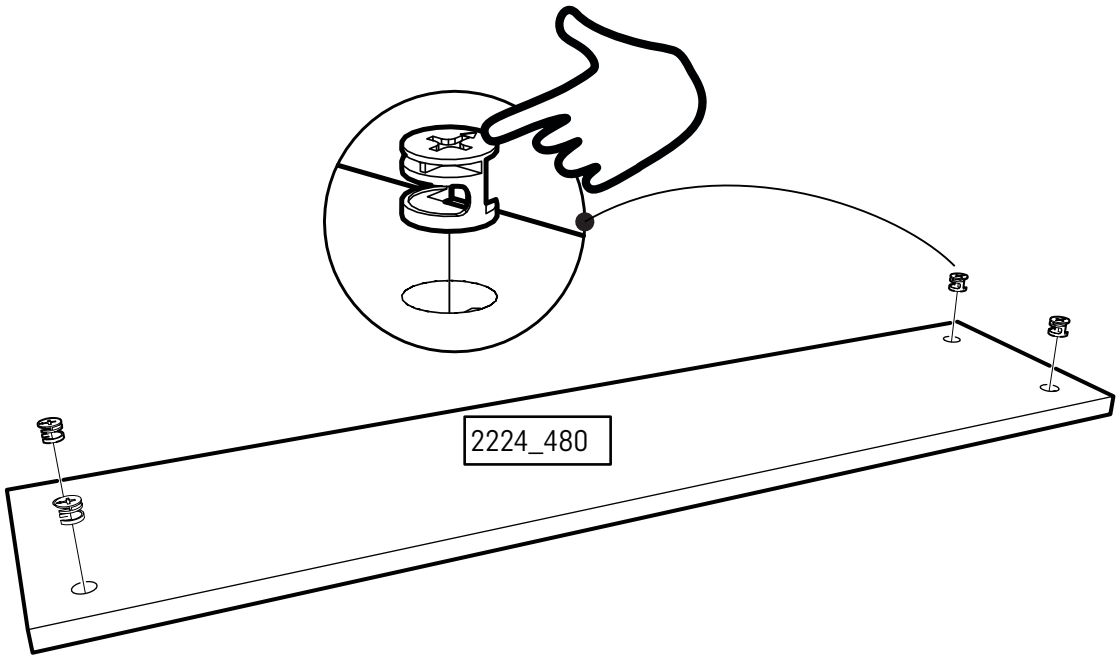
13

 <p>3</p>	<p>1005990</p>	 <p>x 6</p>
--	----------------	--

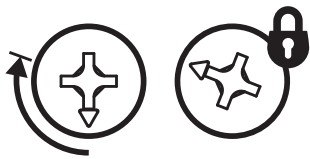



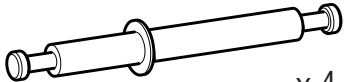
14

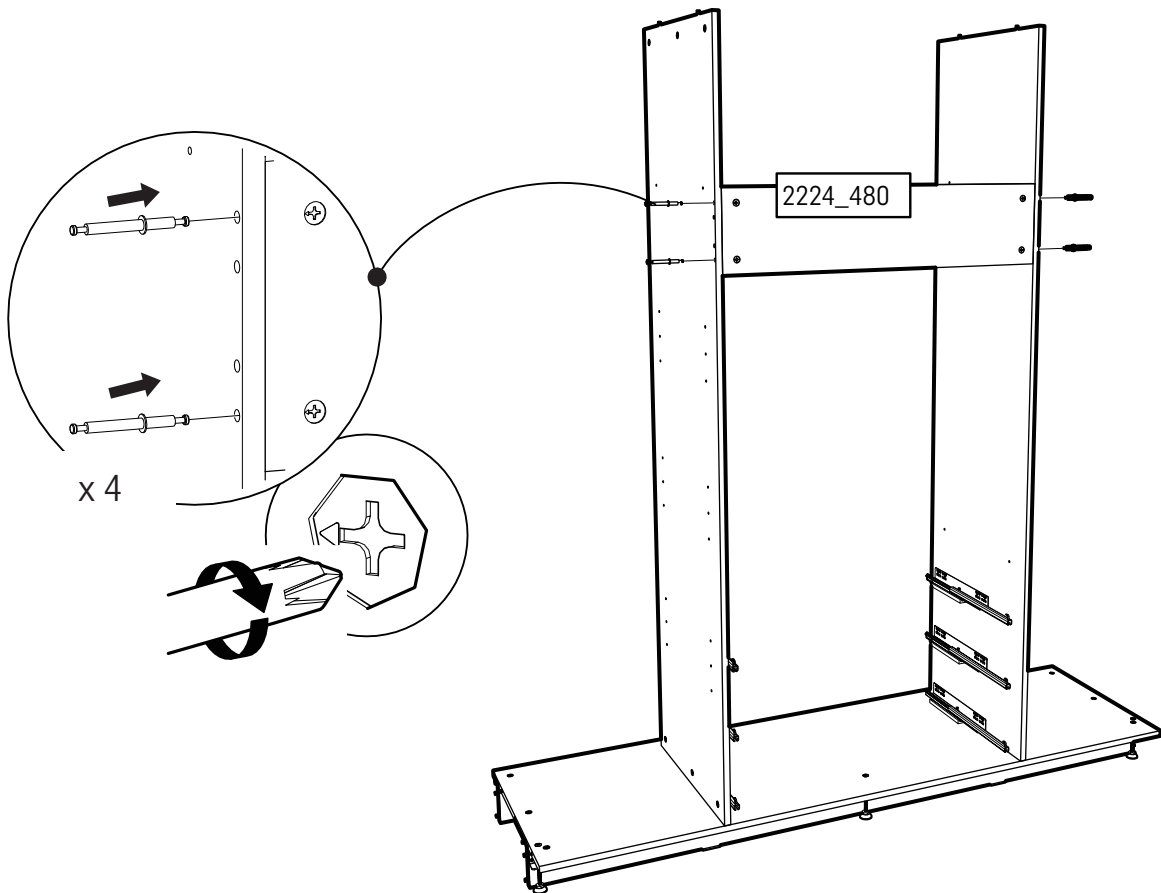
 <p>3</p>	<p>1005990</p>	 <p>x 4</p>
---	----------------	---




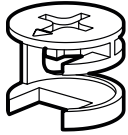
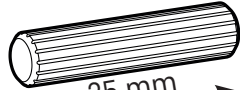
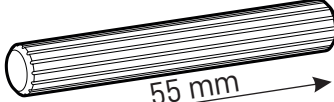
15

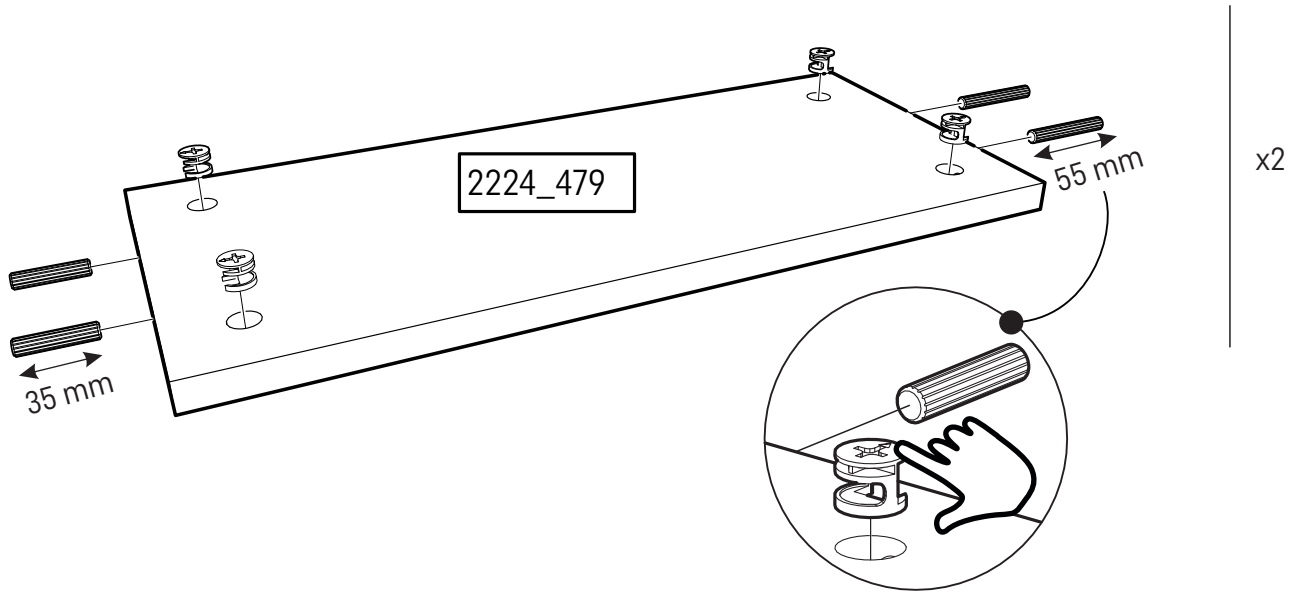


 <p>3</p>	<p>1005581</p>	 <p>x 4</p>
--	----------------	--

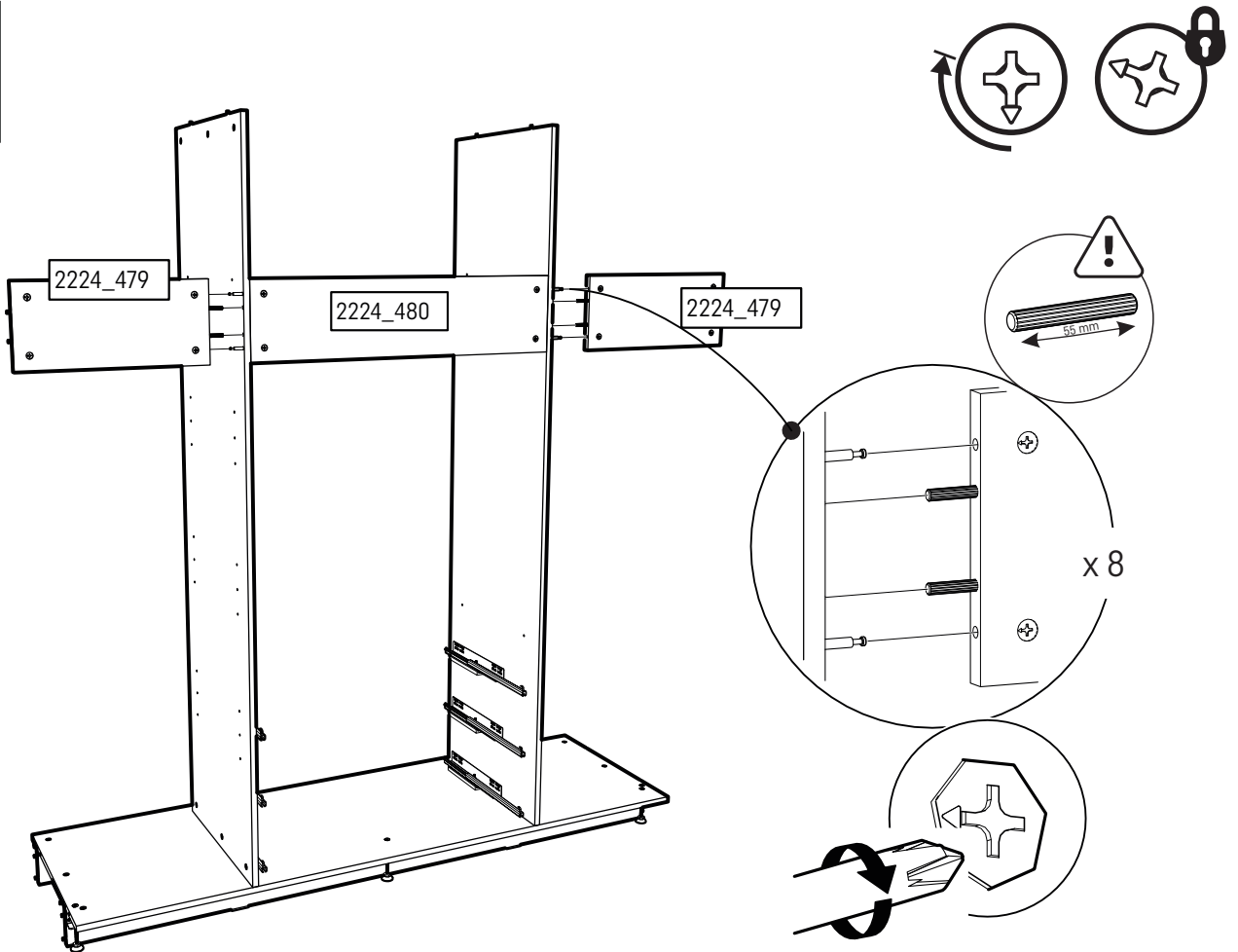


16


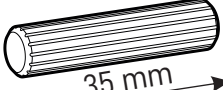

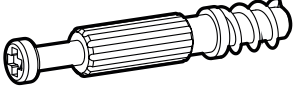
 <p>4</p>	<p>1005990</p>	 <p>x 8</p>	<p>1005857</p>  <p>35 mm</p> <p>x 4</p>
			<p>1005641</p>  <p>55 mm</p> <p>x 4</p>

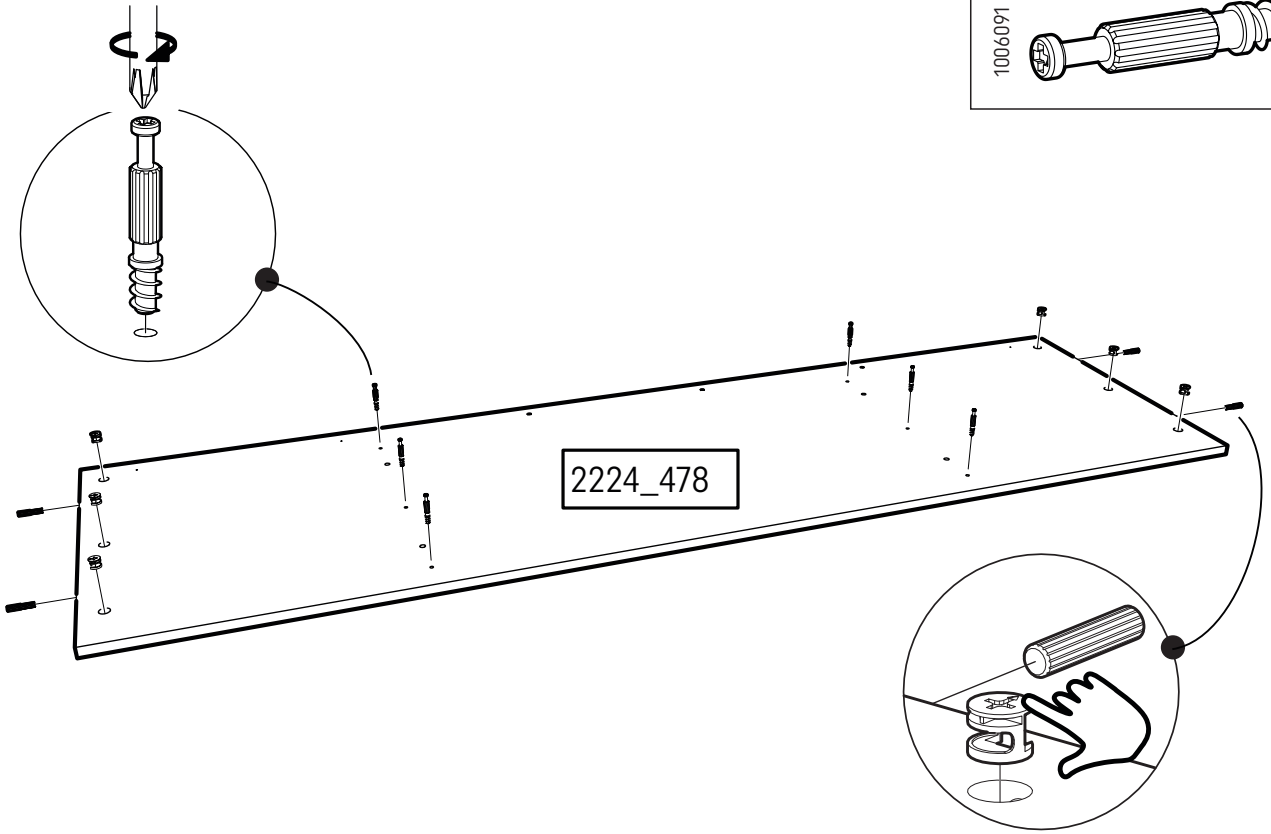


17





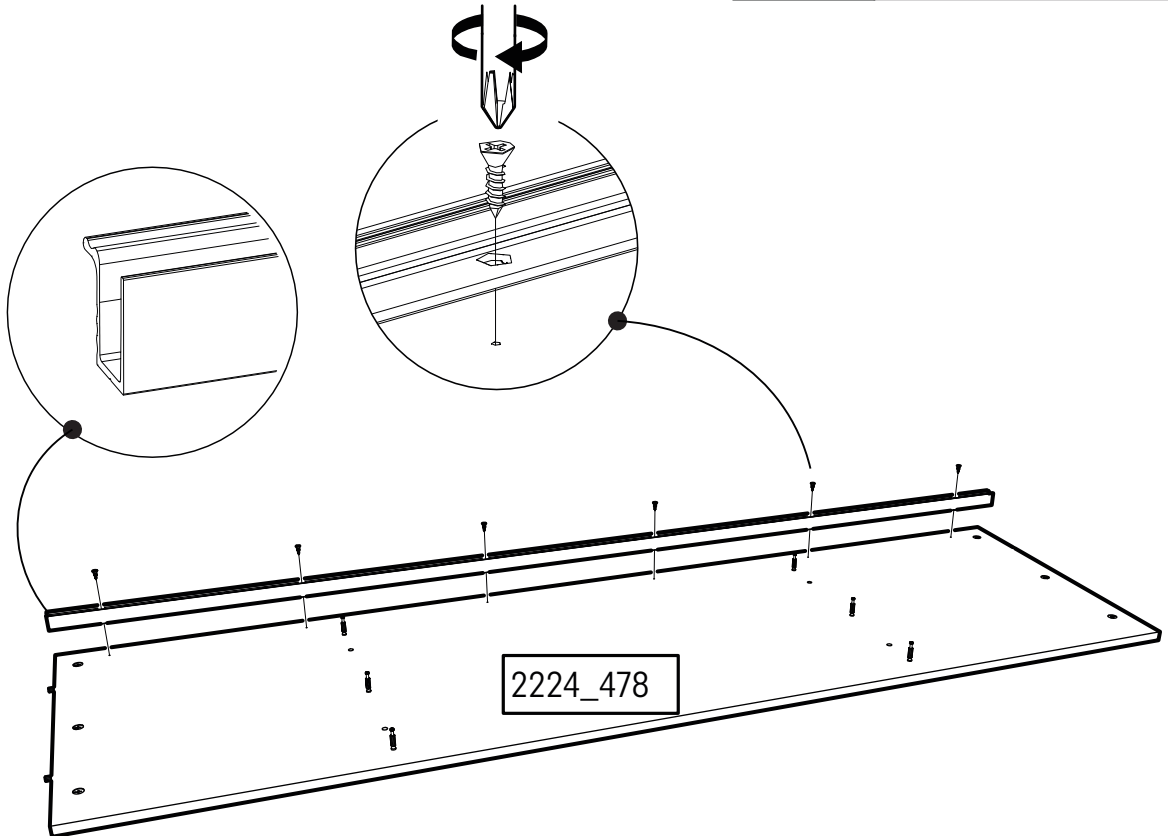
18

 <p>4</p>	<p>1005857</p>  <p>35 mm</p> <p>x 4</p>	<p>1005990</p>  <p>x 6</p>
		<p>1006091</p>  <p>x 6</p>



19

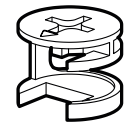
 <p>4</p>	<p>1005681</p>  <p>x 6</p>
--	---



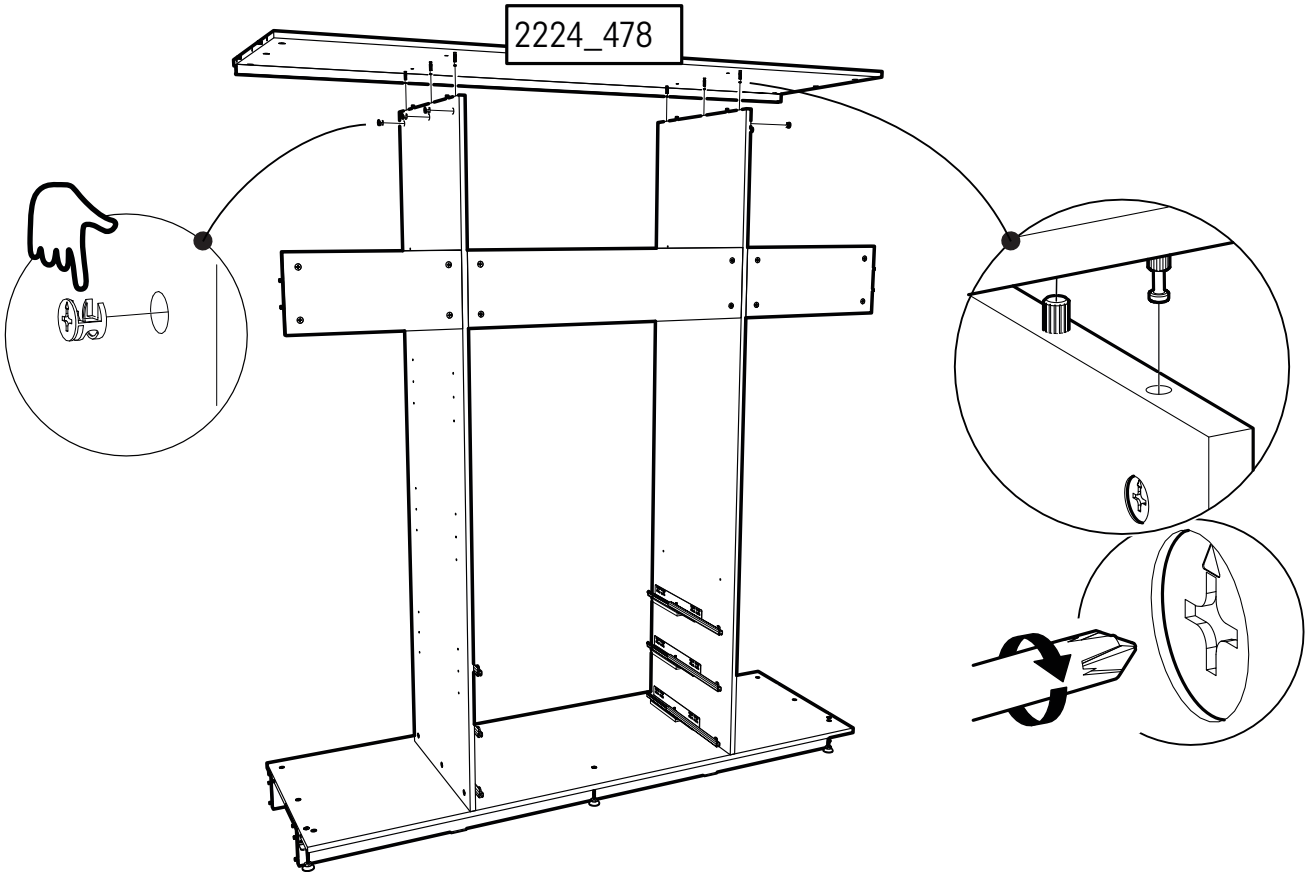
20

4

1005990



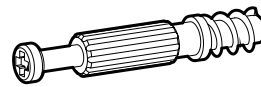
x 6



21

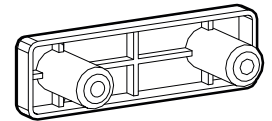
5

1006091



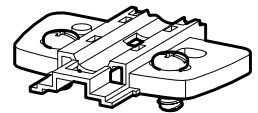
x 8

1000868

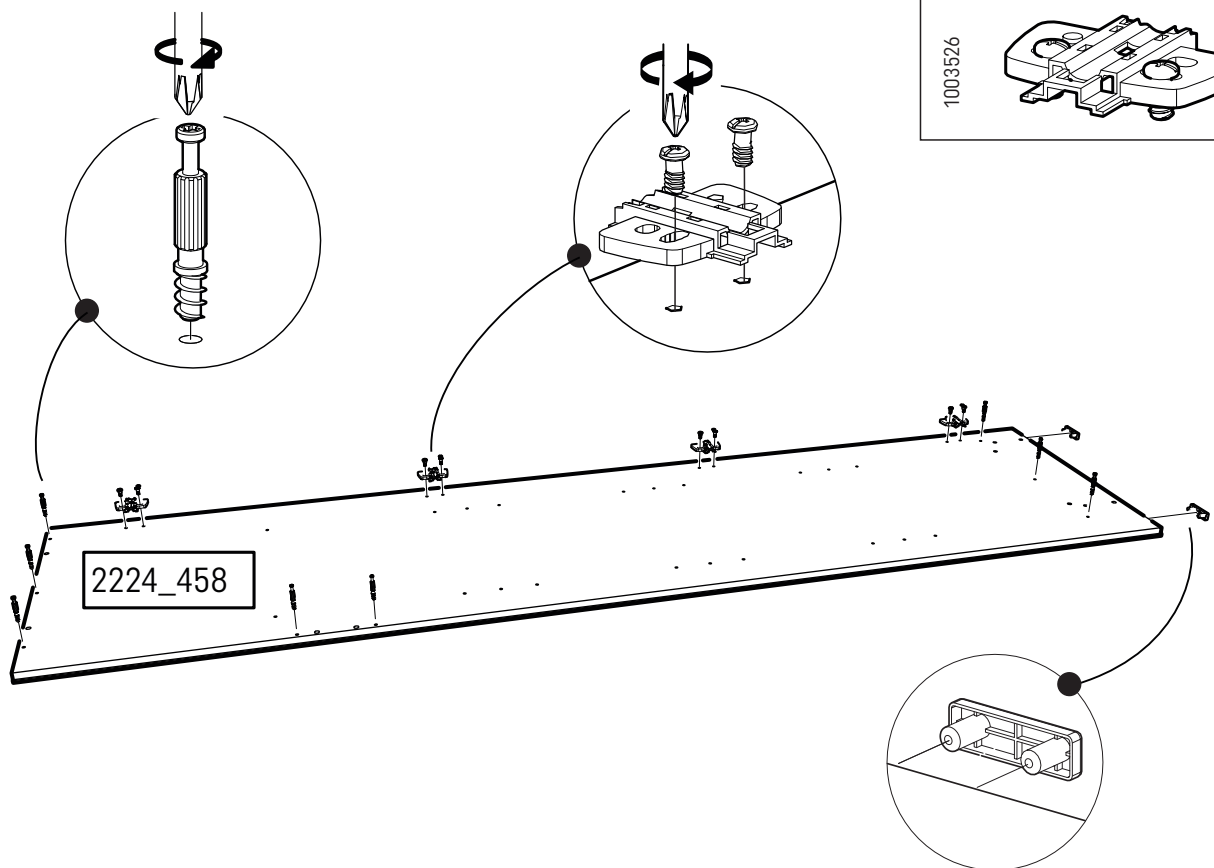


x 2


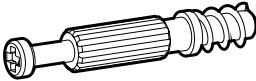
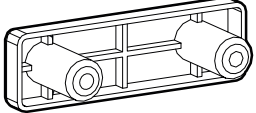
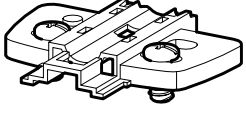
1003526

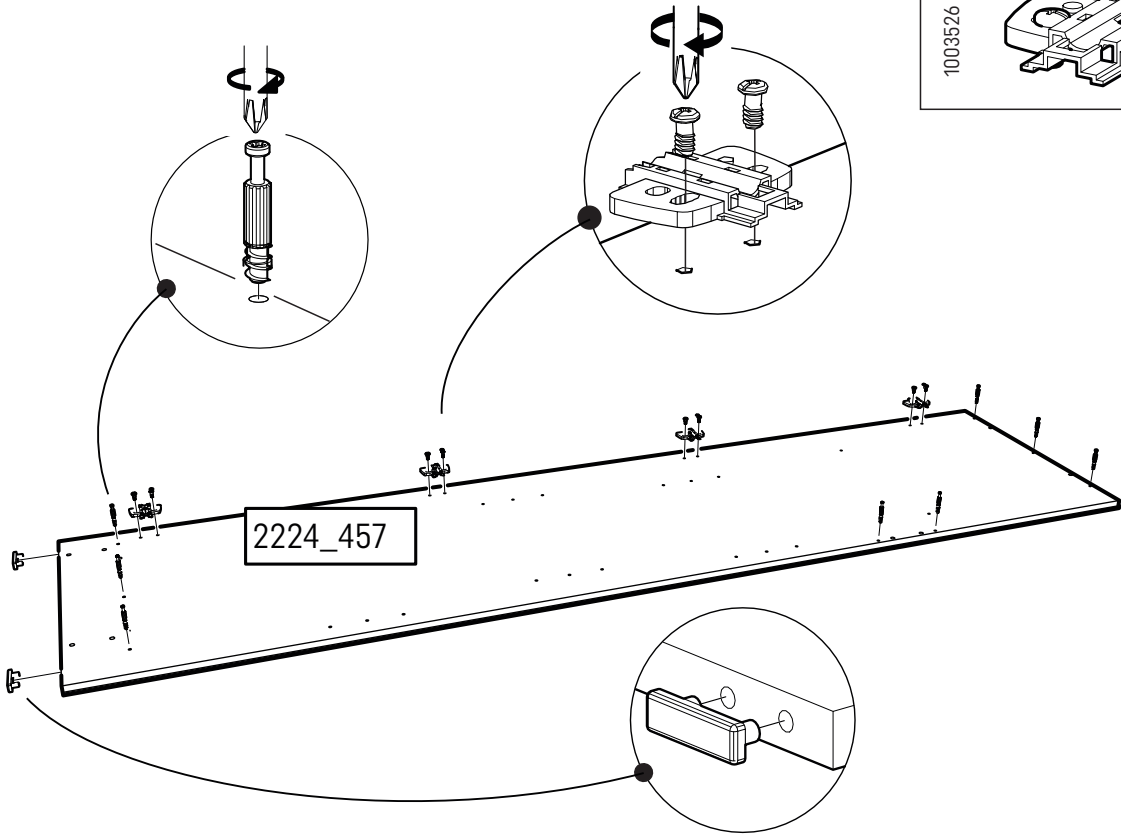


x 4

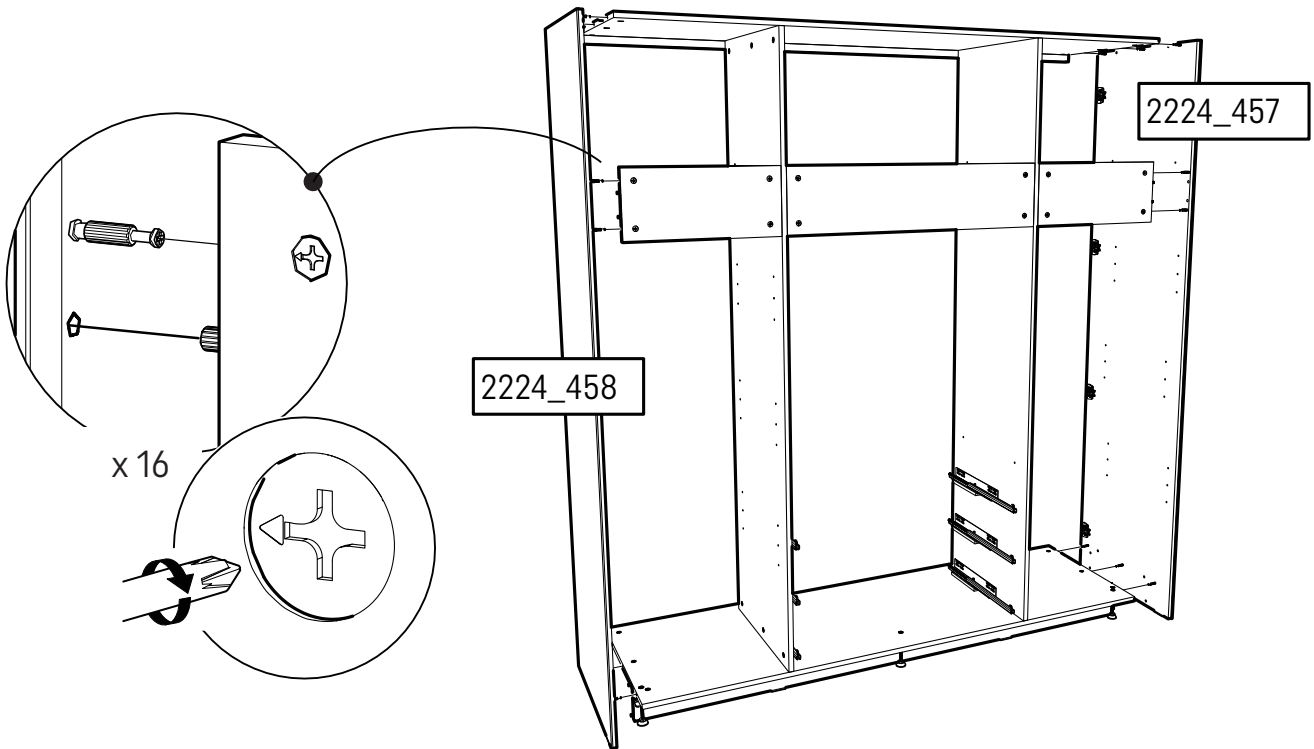
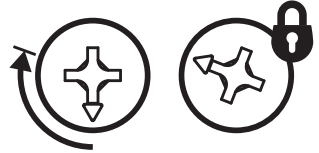


22



 <p>5</p>	<p>1006091</p>  <p>x 8</p>	<p>1000868</p>  <p>x 2</p>
		<p>1003526</p>  <p>x 4</p>

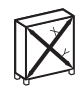
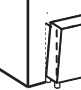
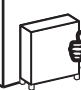


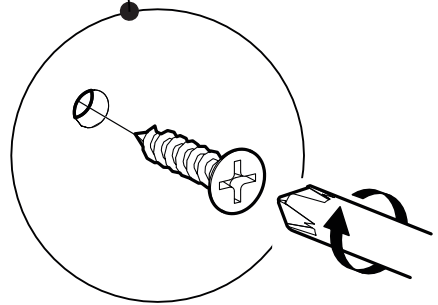
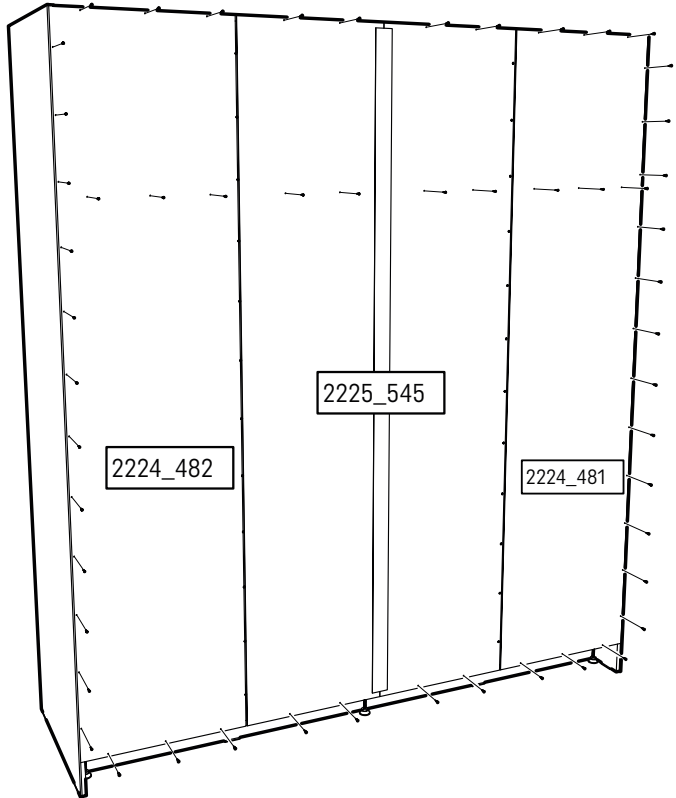
23




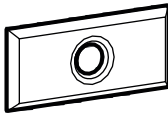

24

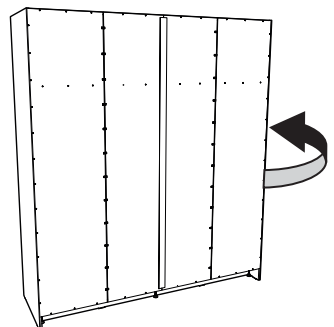
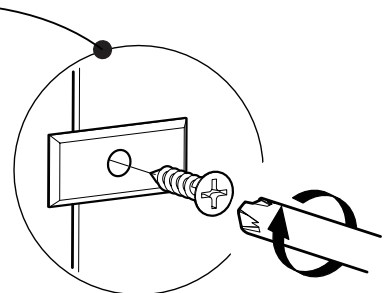
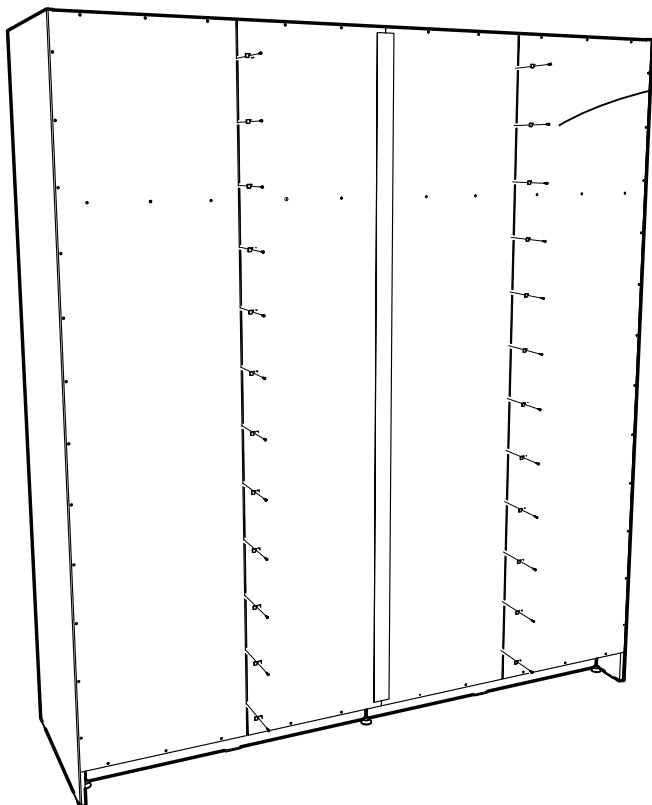
	1006012		x 54
--	---------	---	------

		
	X=Y (>2mm)	X=Y (±1mm)


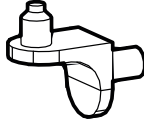
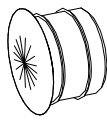


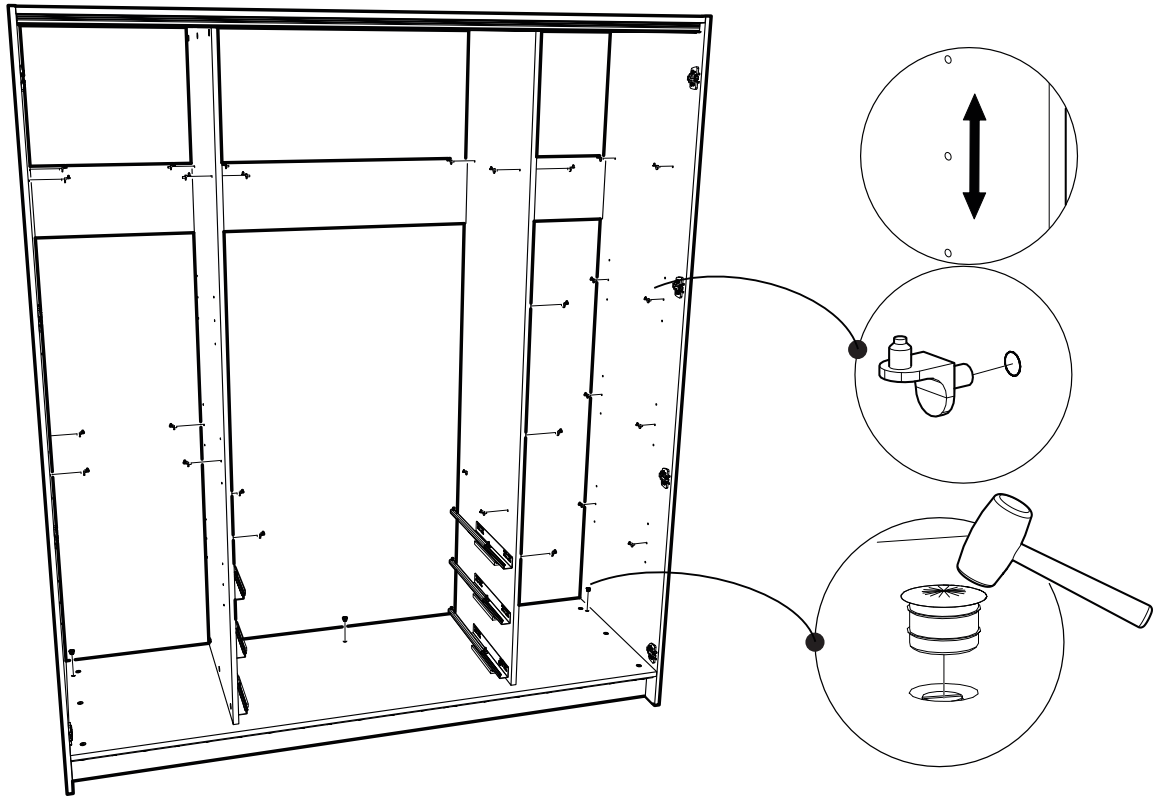
25

	1000242		x 24	1006012		x 24
---	---------	--	------	---------	---	------


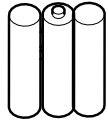
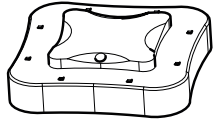


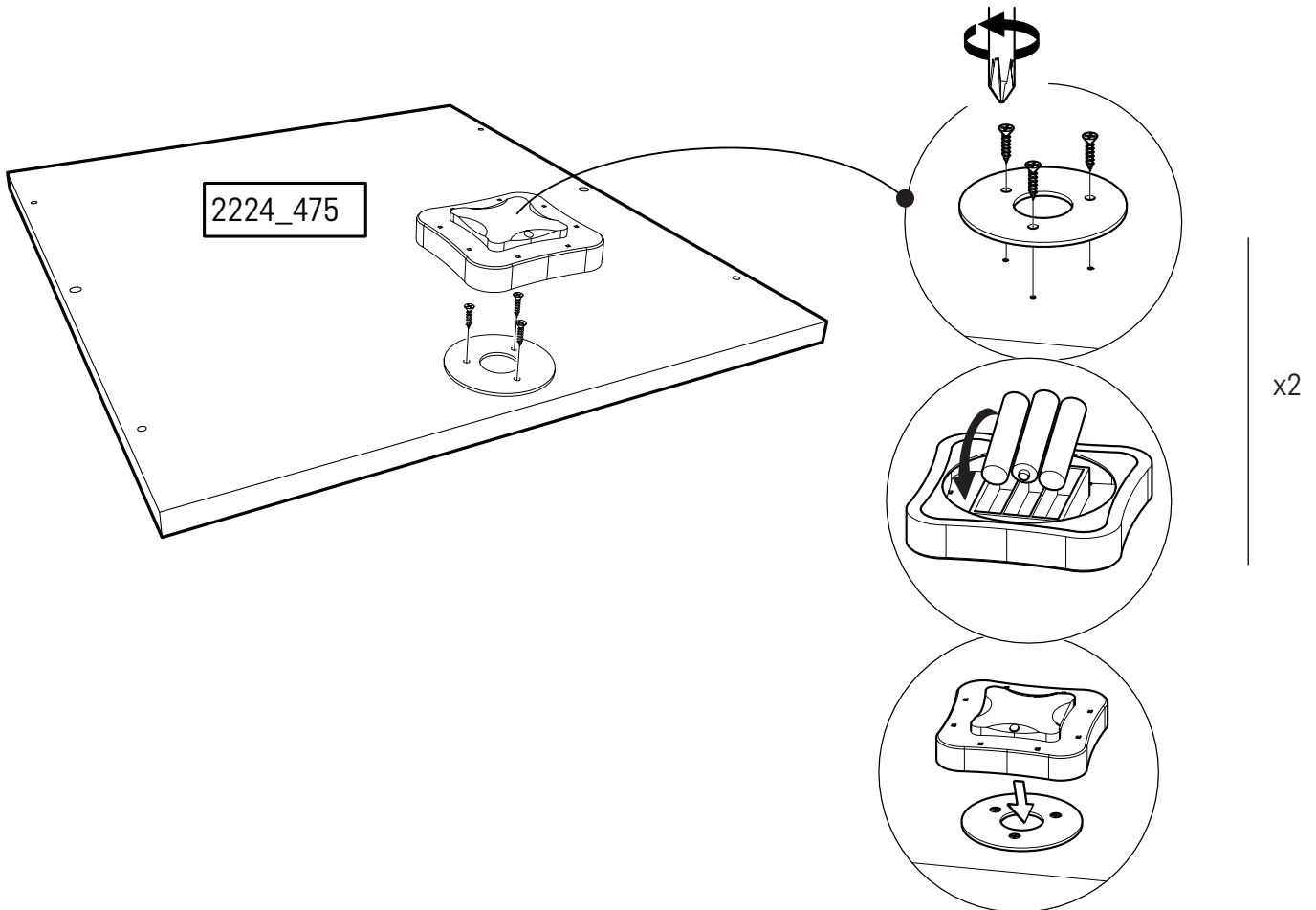
26

	<p>1001262</p>	 <p>x 32</p>	<p>1000959</p>  <p>x 3</p>
--	----------------	---	--


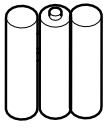



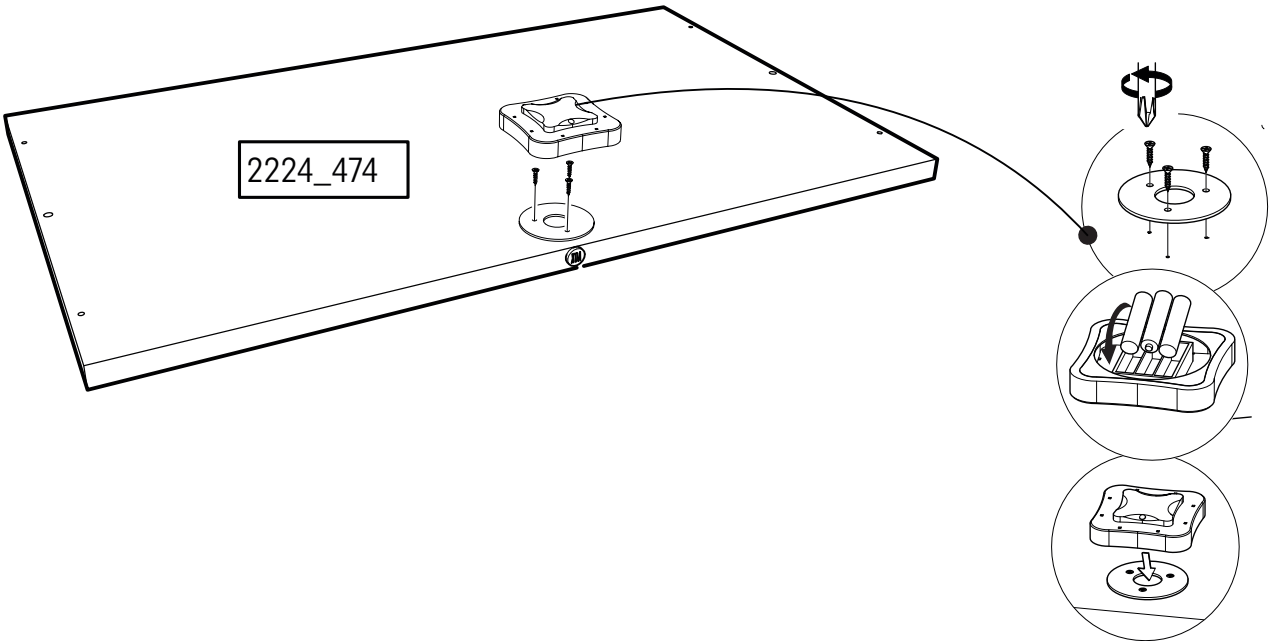
27

	<p>1105204</p>	 <p>x 2</p>	<p>1104157</p>  <p>x 2</p>
---	----------------	--	---

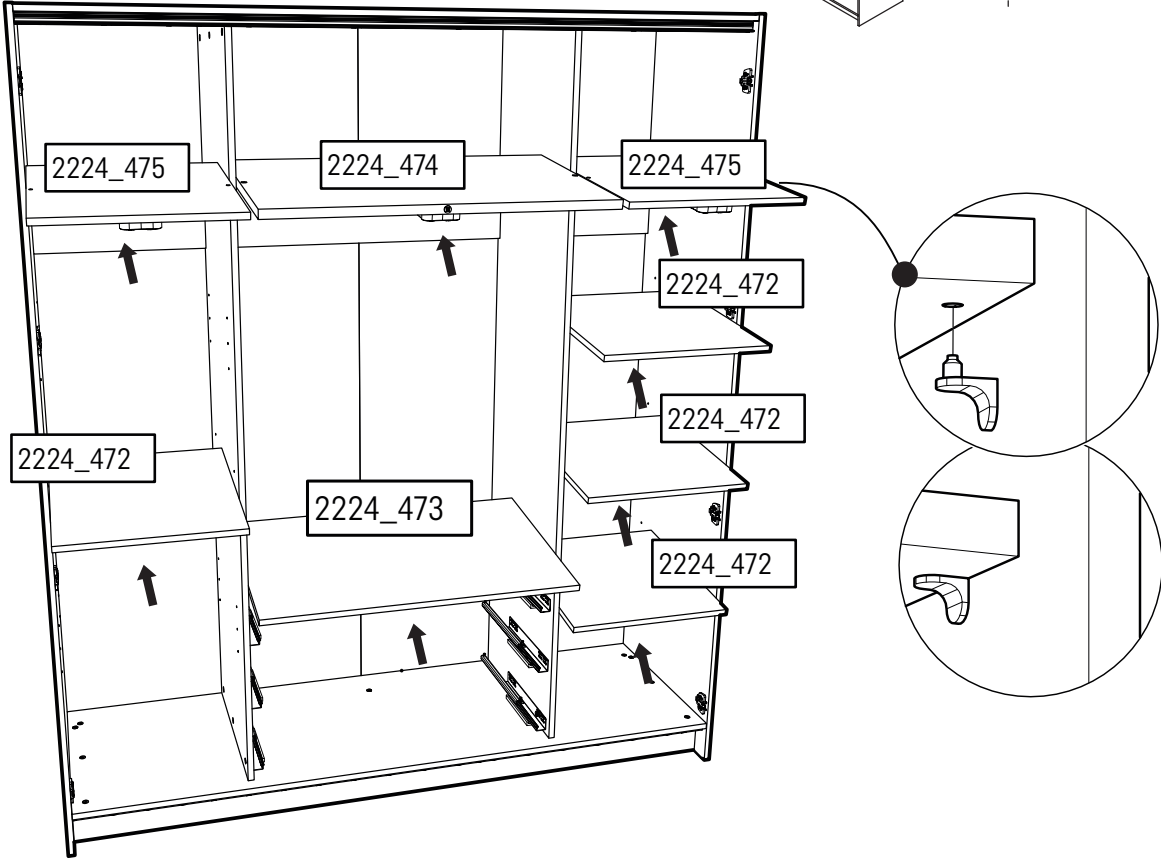
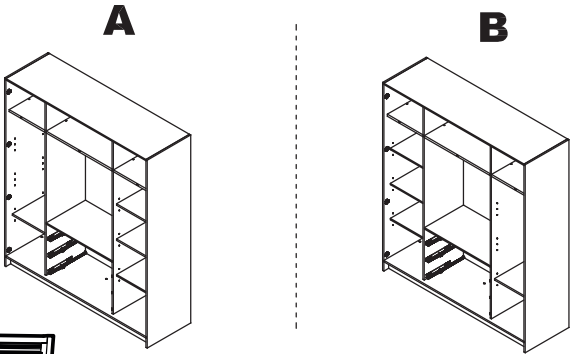


28


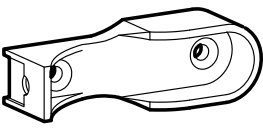
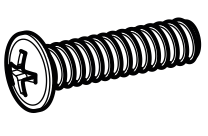
 <p>6</p>	1105204		x1	1104157		x1
---	---------	--	----	---------	--	----

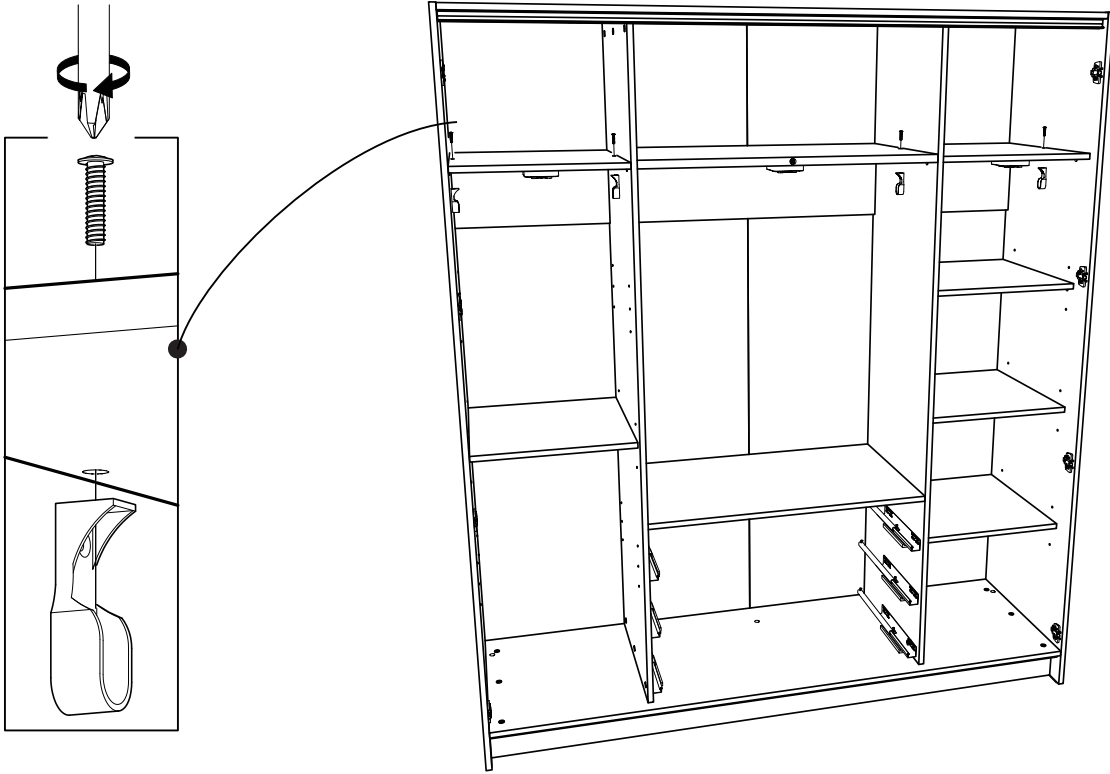


29






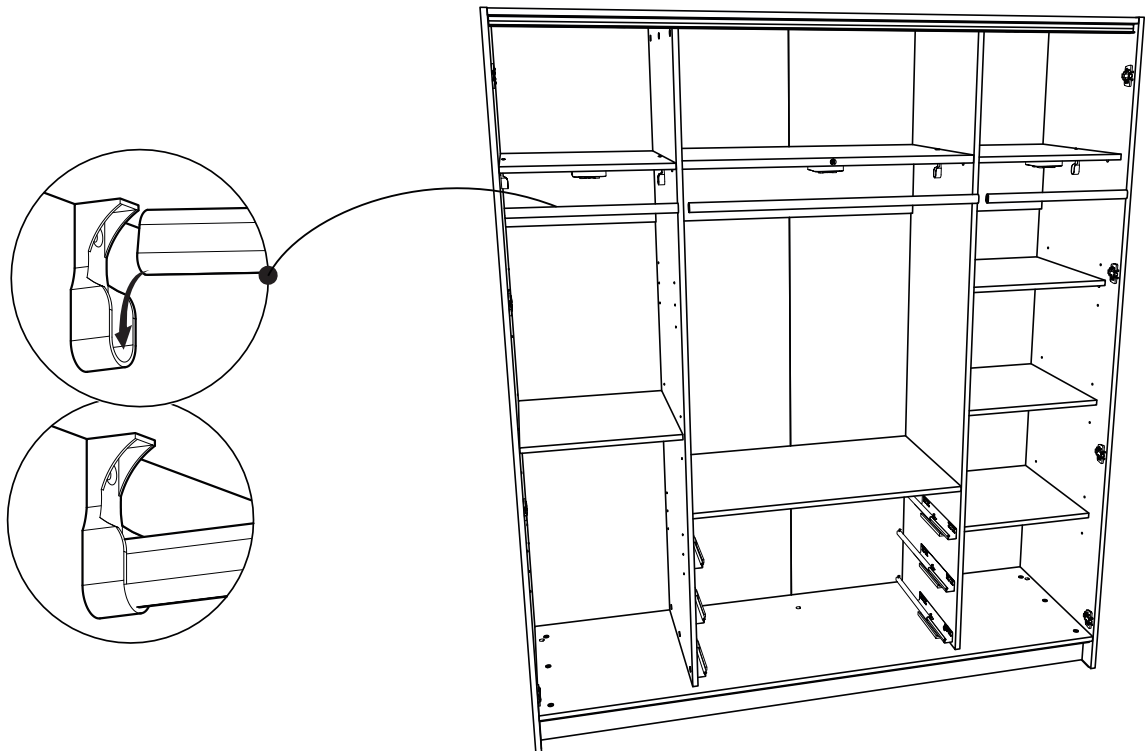
30

	1000225		x 6	1110778		x 6
--	---------	---	-----	---------	--	-----


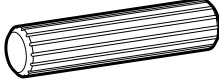
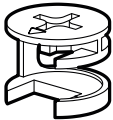


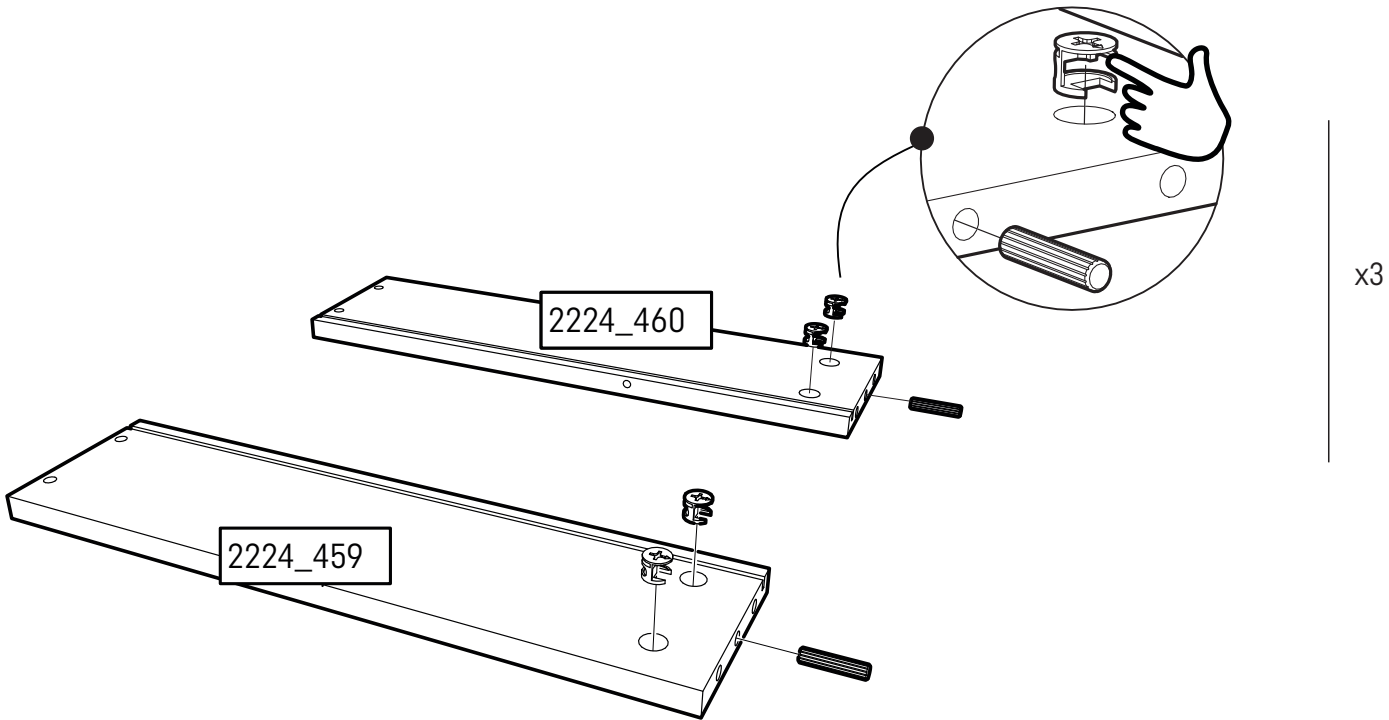
31

	1101337		x 2	1003866		x 1
---	---------	---	-----	---------	---	-----


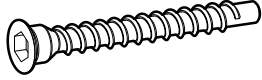


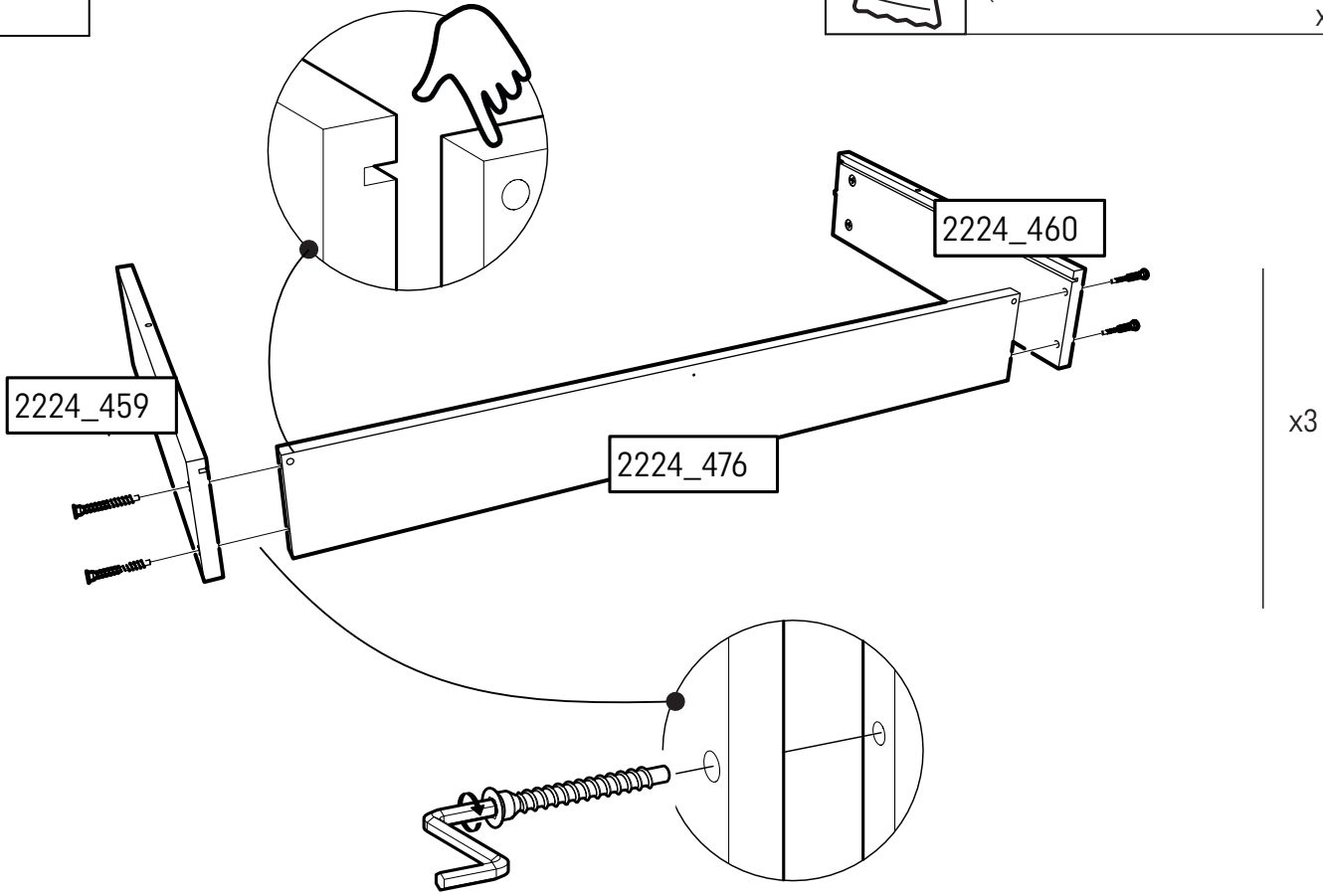
32

	1005857		x 6	1005990		x 12
--	---------	---	-----	---------	--	------

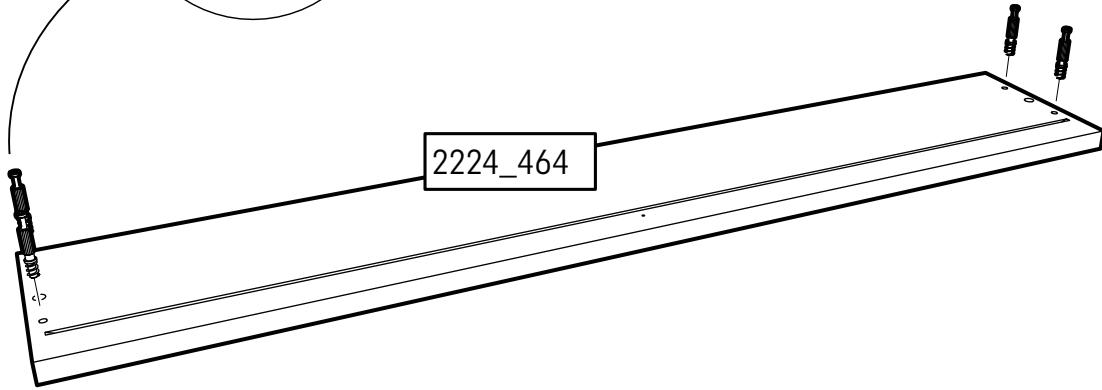
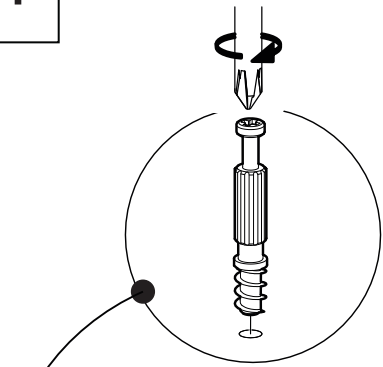
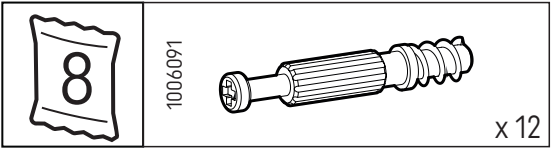


33

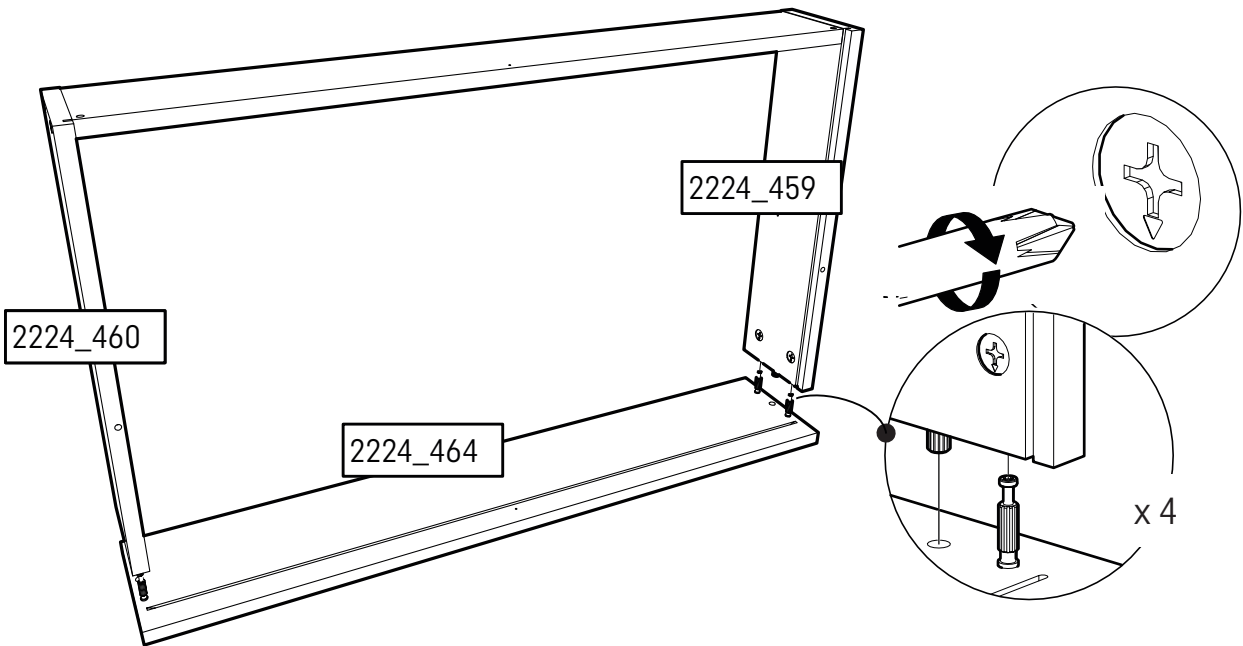
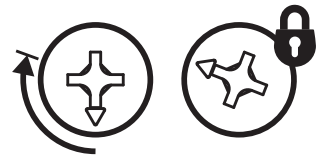
	1005876		x 12
---	---------	---	------



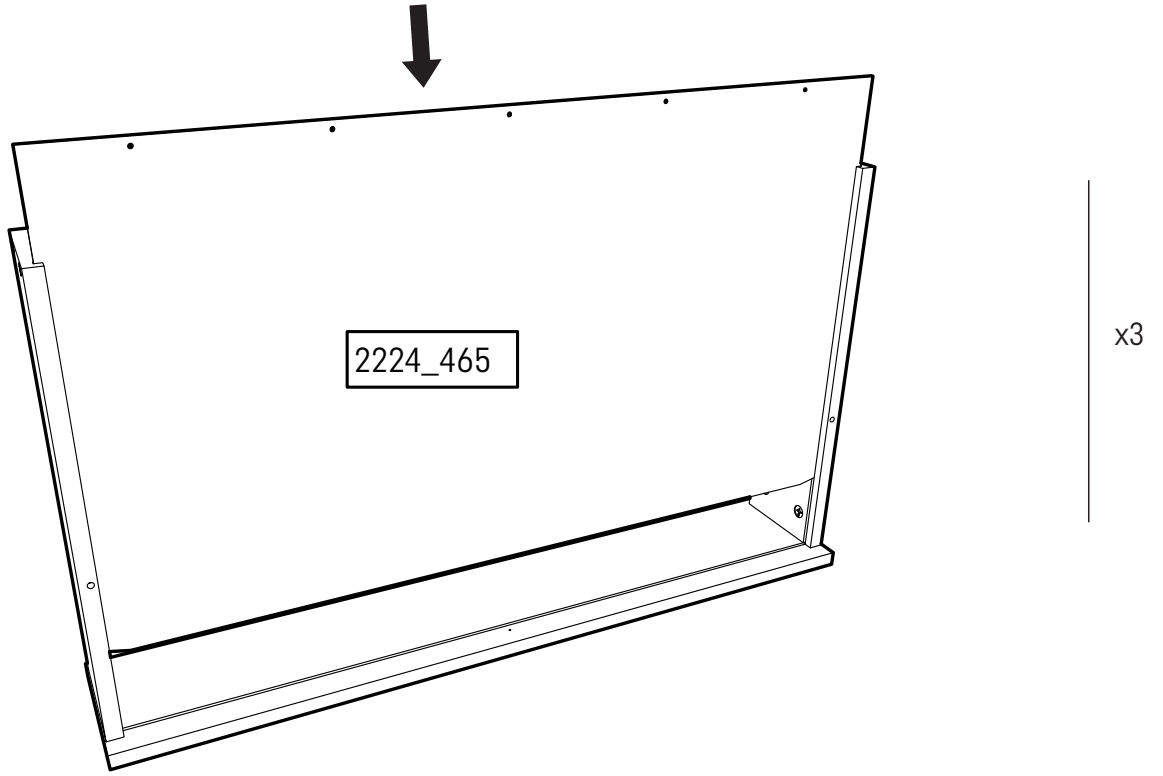
34



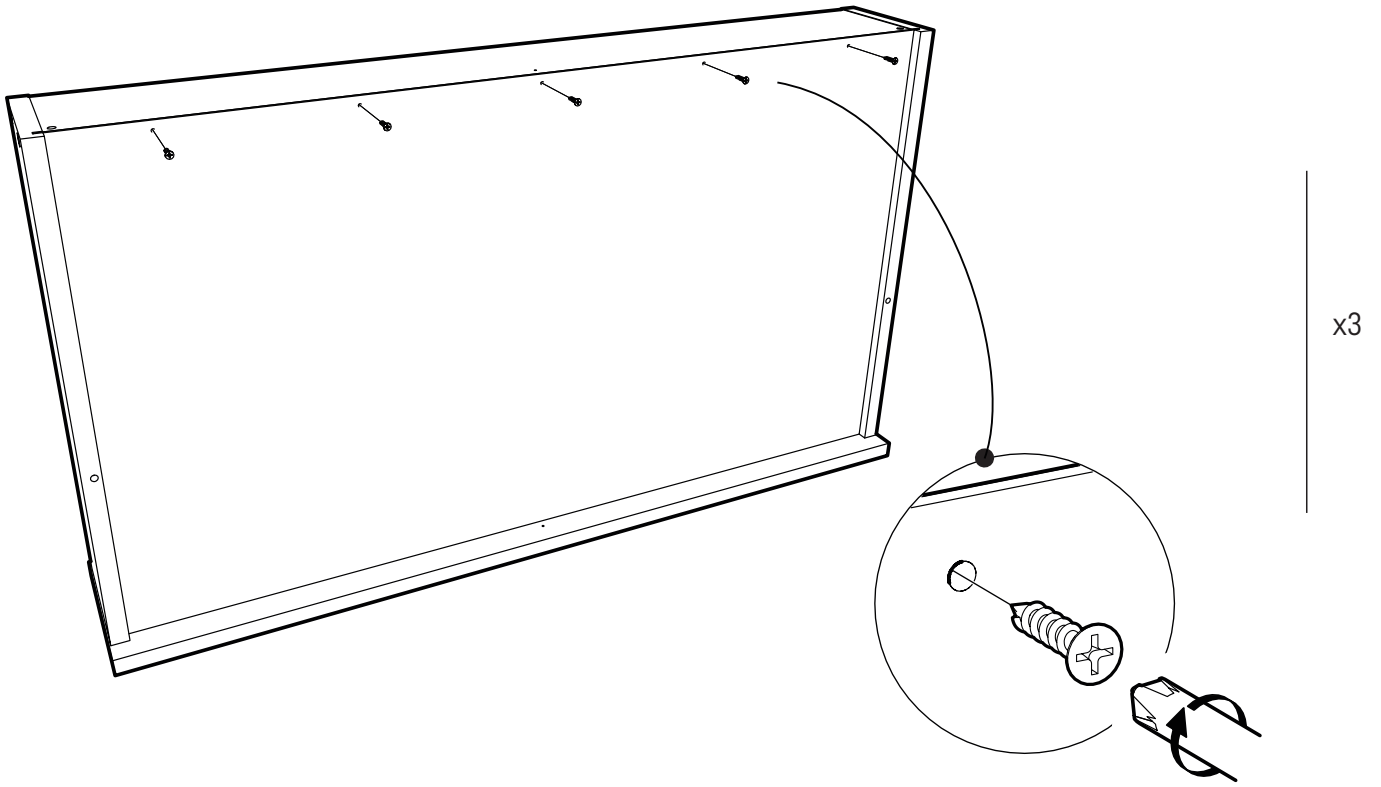
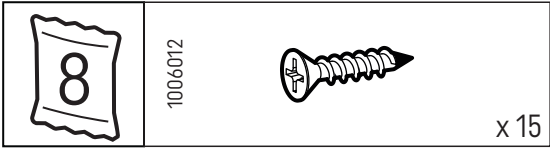
35





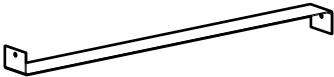
36

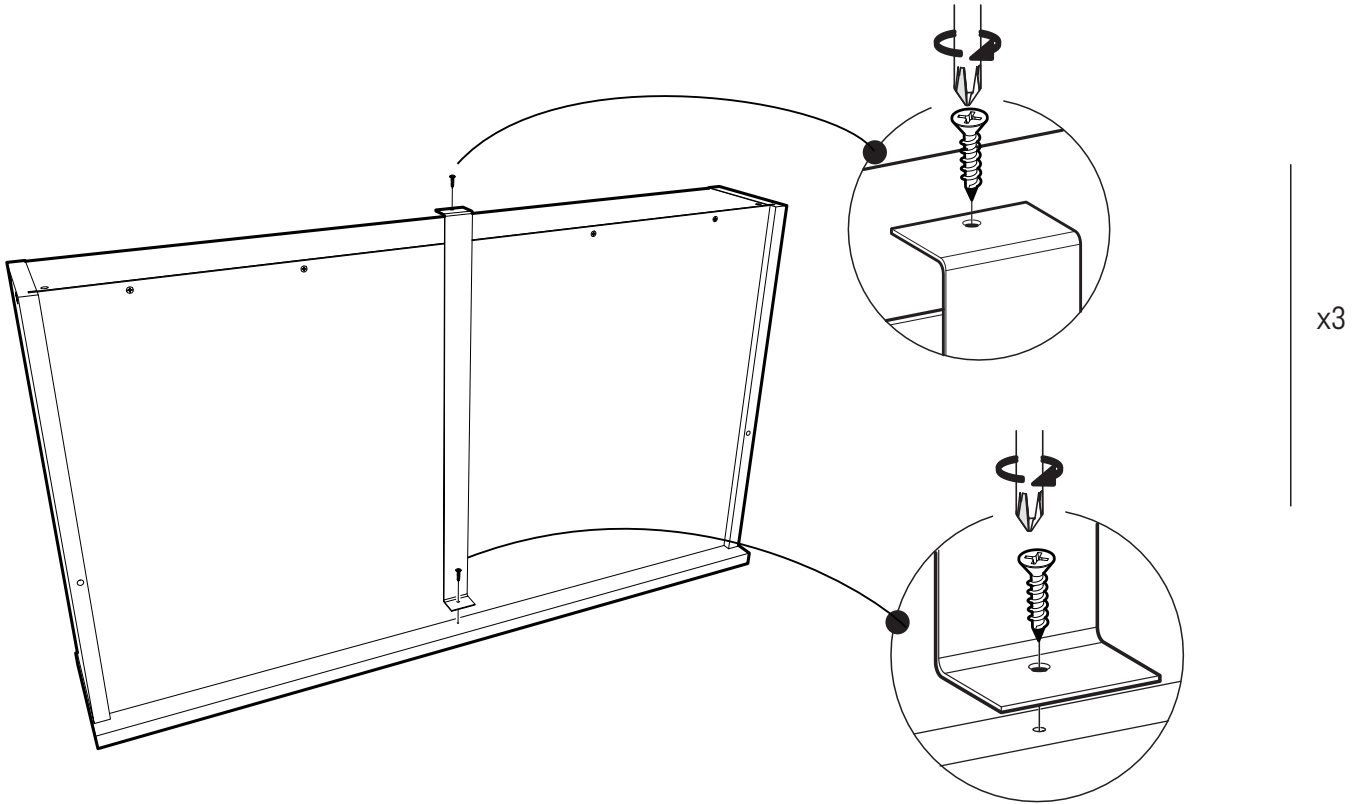


37

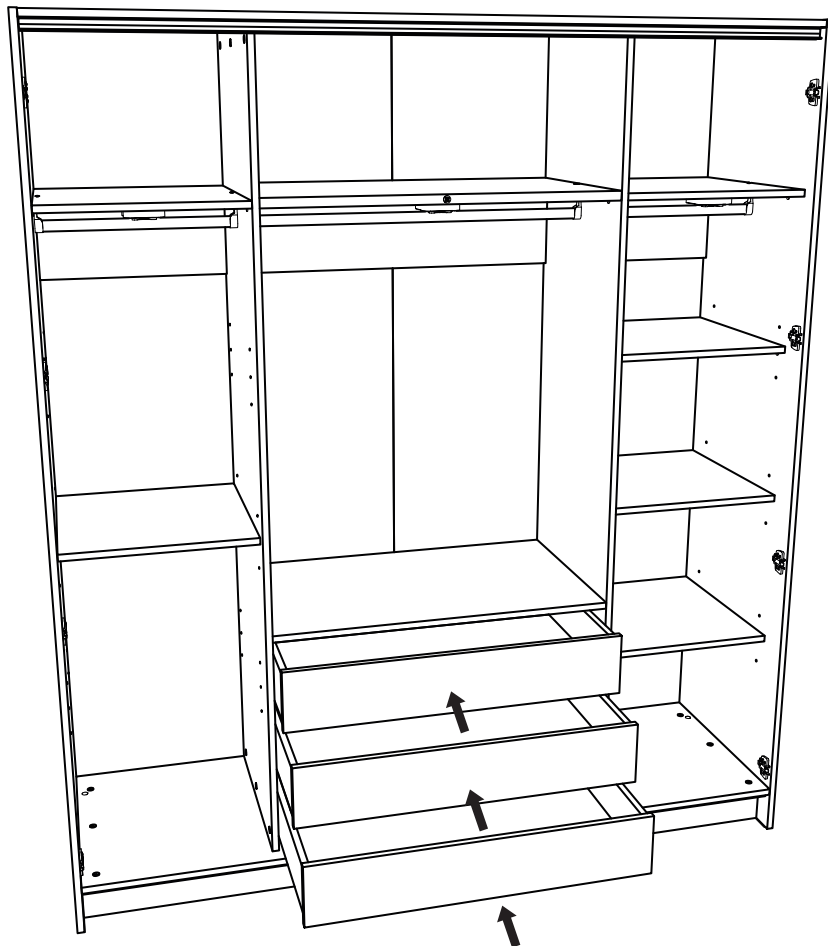


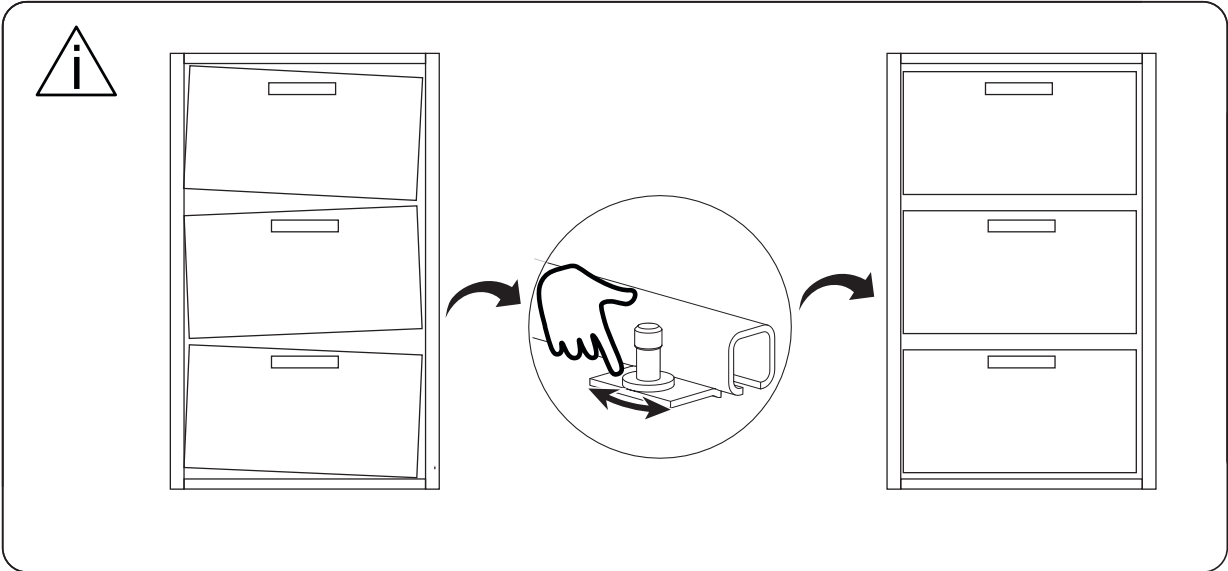
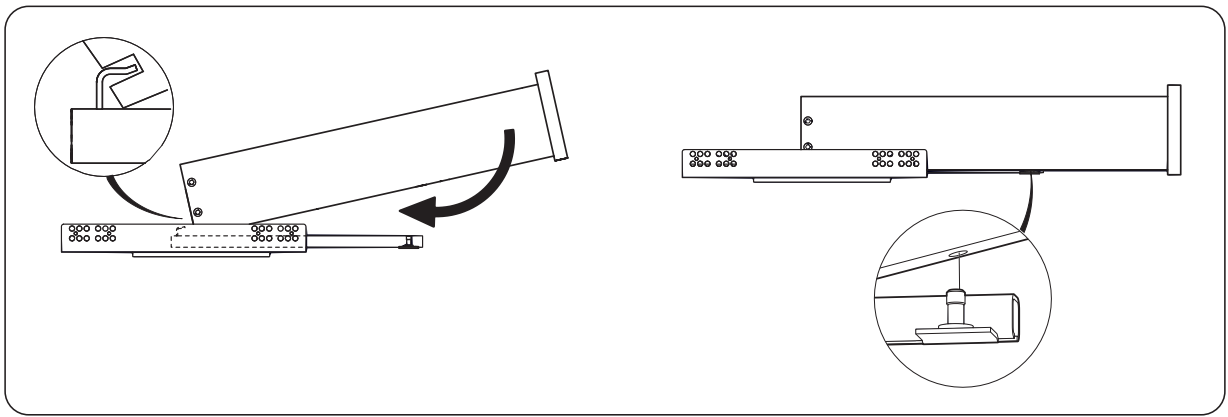
38

 <p>1006012</p>	 <p>x 6</p>	 <p>1002479</p> <p>x 3</p>
---	--	--



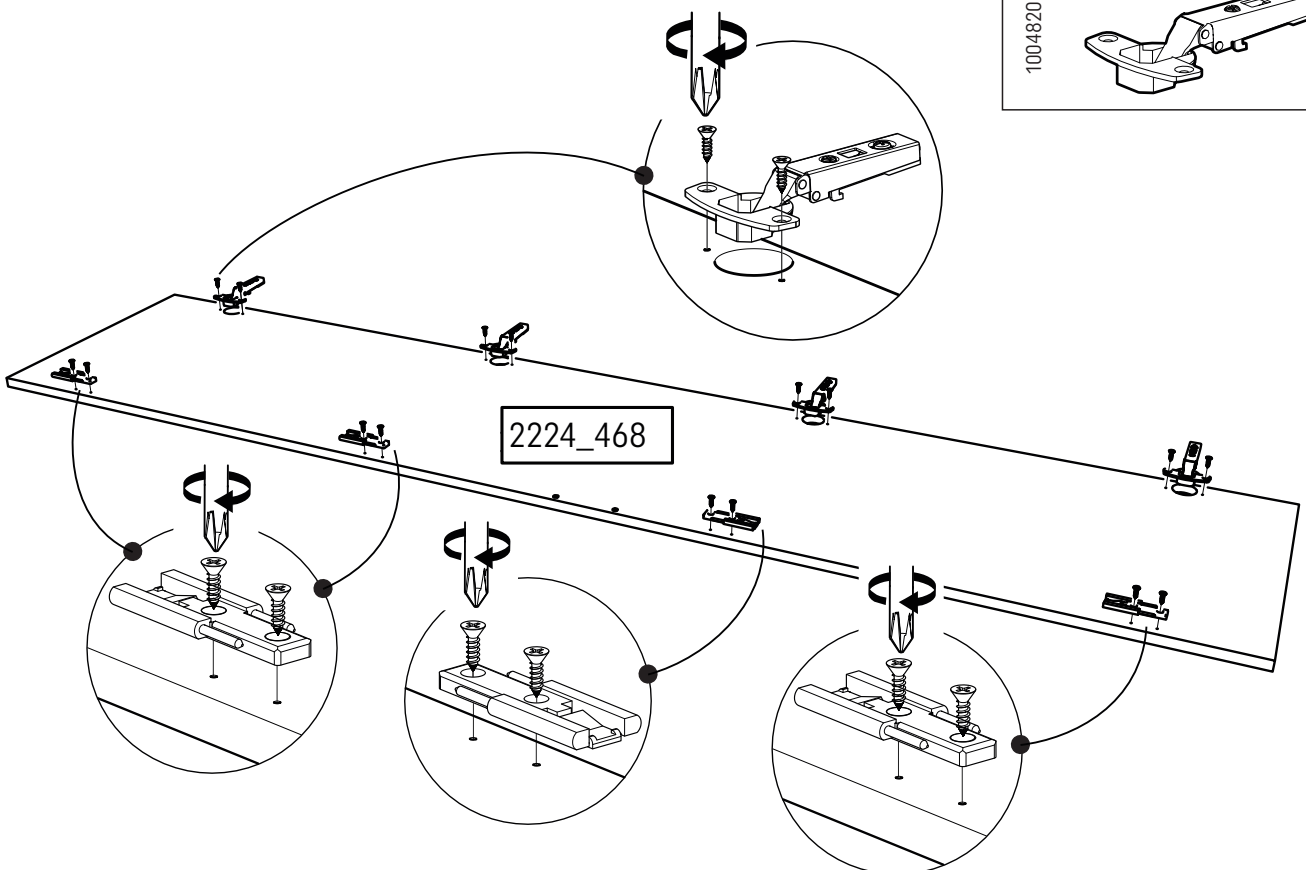
39




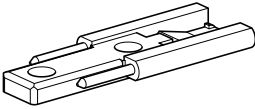

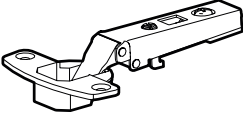


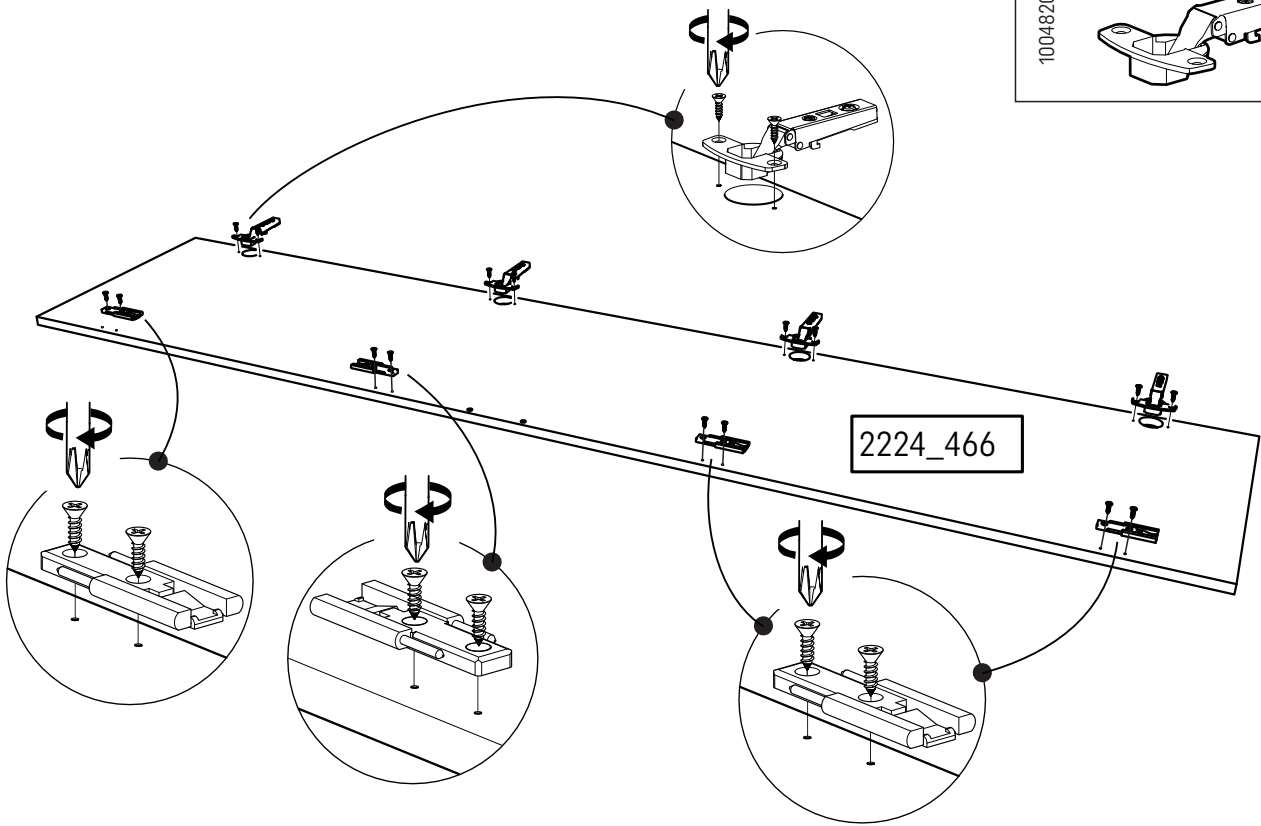
40

	<p>1123189</p> <p>x 4</p>	<p>1005681</p> <p>x 16</p>
		<p>1004820</p> <p>x 4</p>

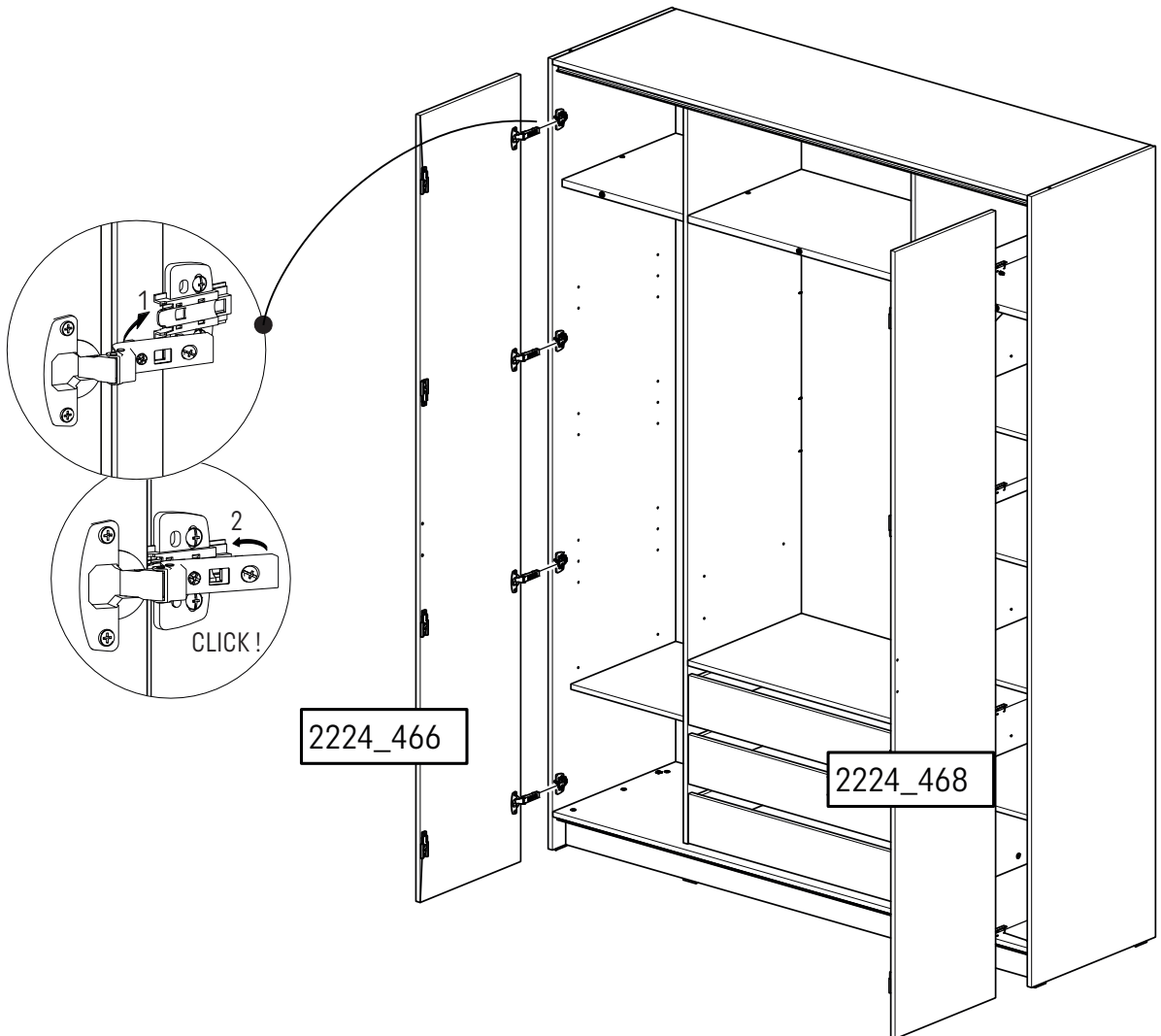


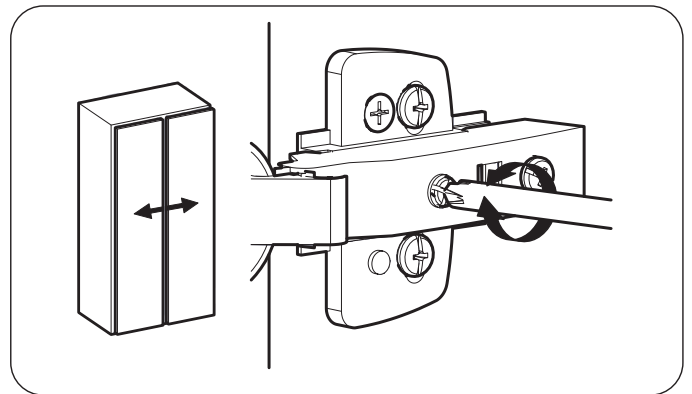
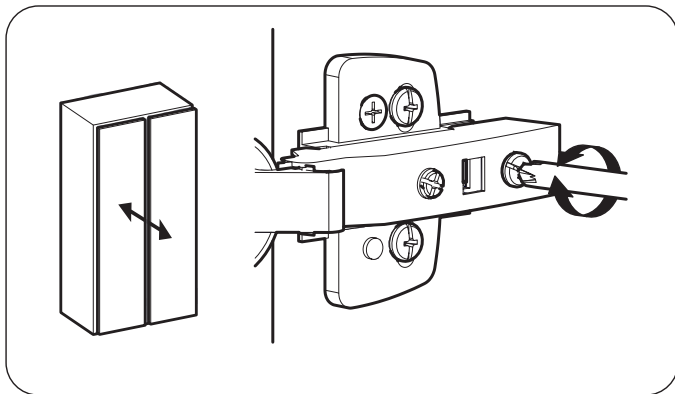
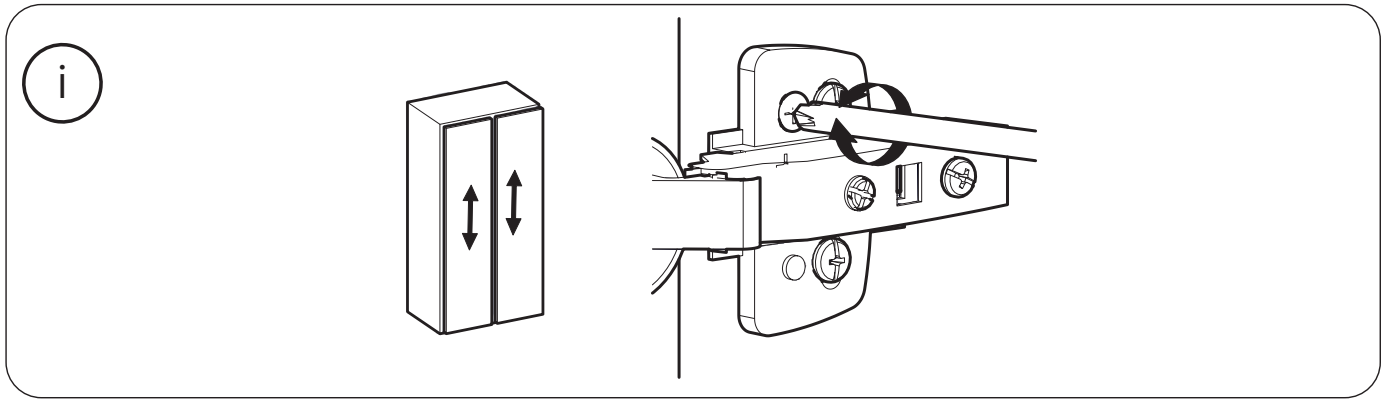
41

 <p>9</p>	<p>1123189</p>  <p>x 4</p>	<p>1005681</p>  <p>x 16</p>
		<p>1004820</p>  <p>x 4</p>



42

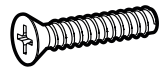




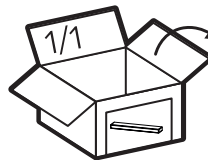
43

9

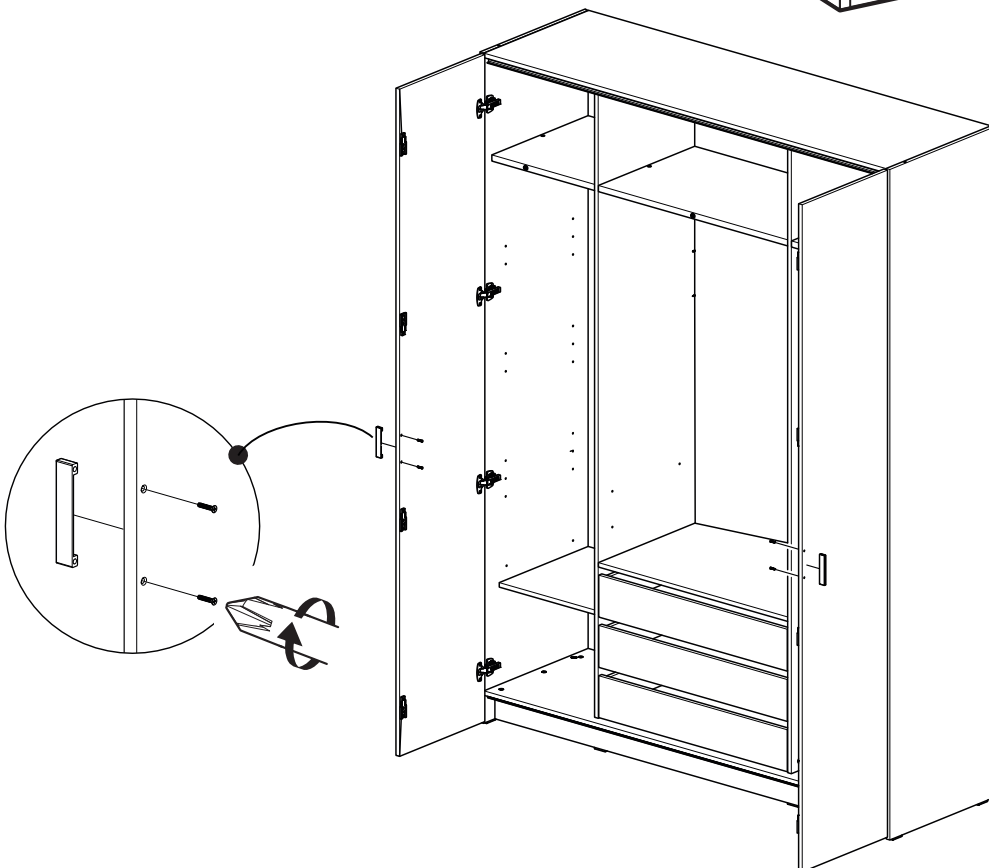
1005590





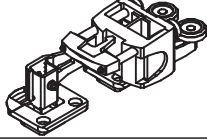

x 4

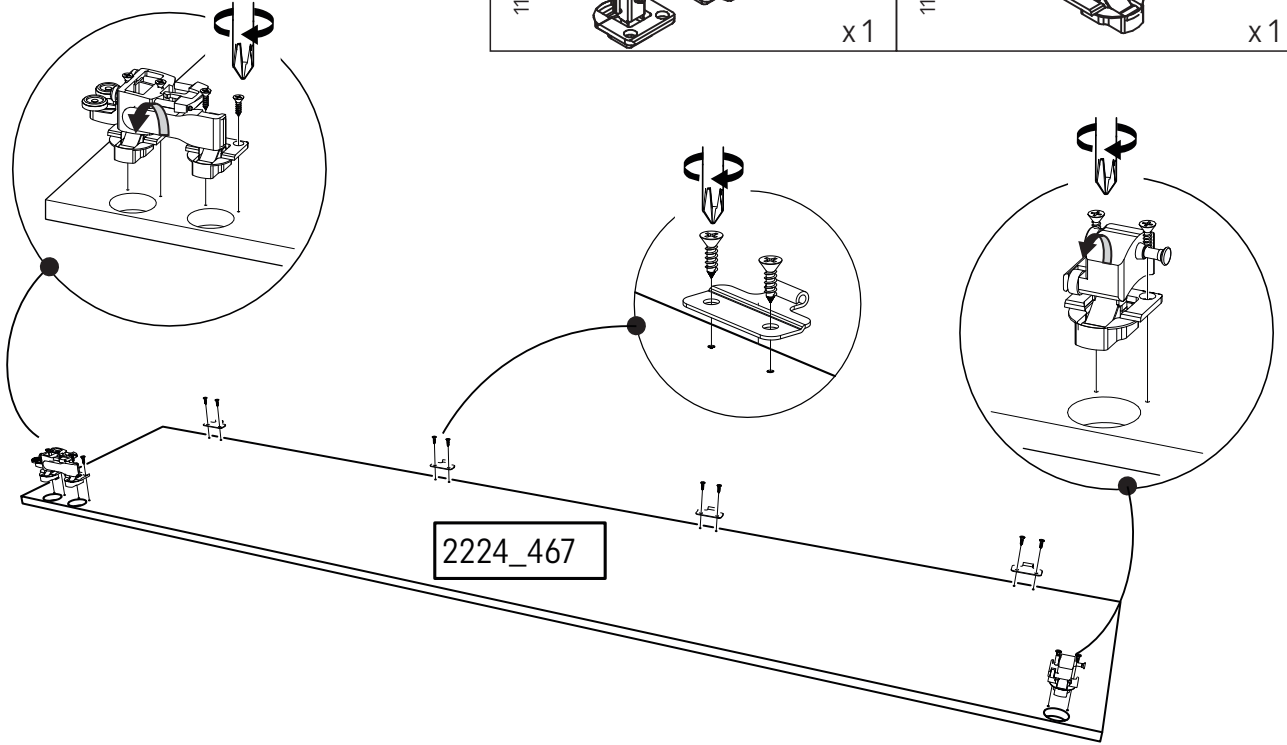


x 2

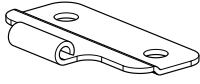

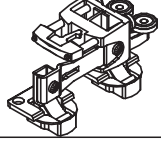
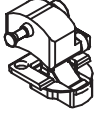


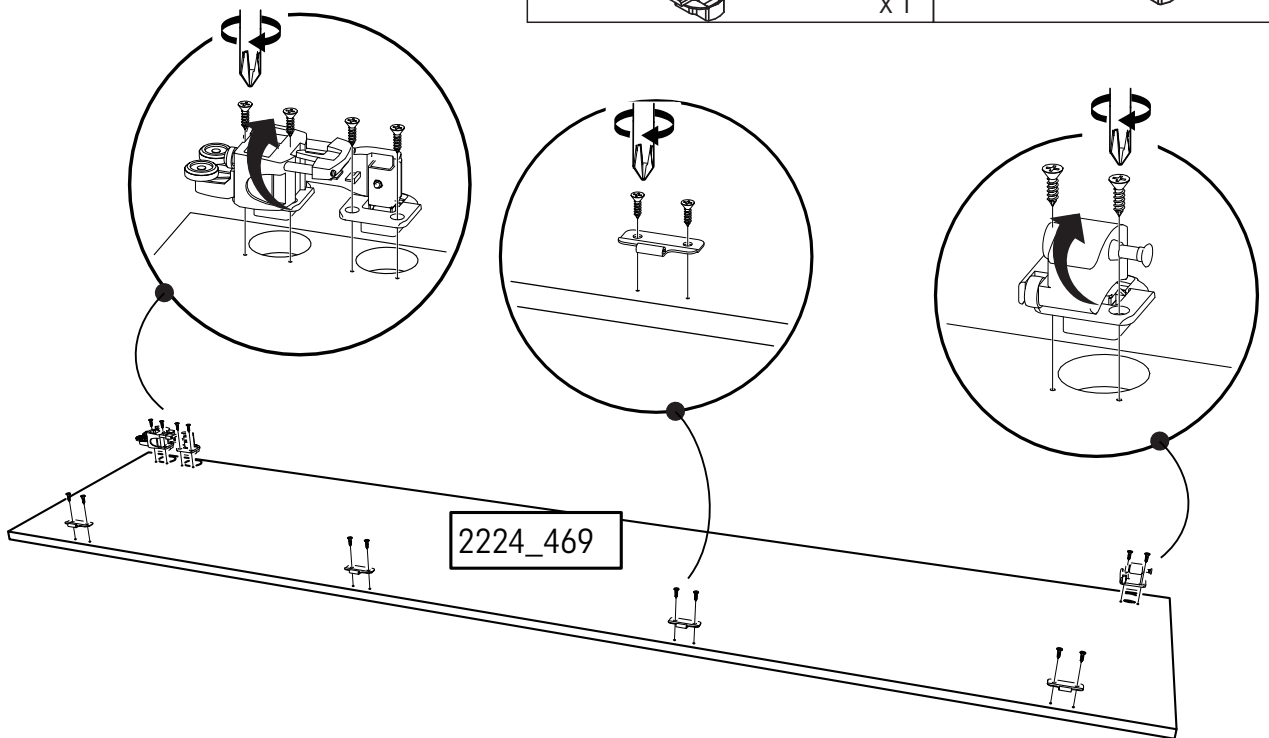
44

9	1123188  x 4	1005681  x 14
1123181  x 1	1123184  x 1	





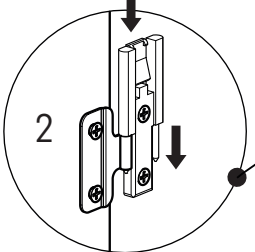
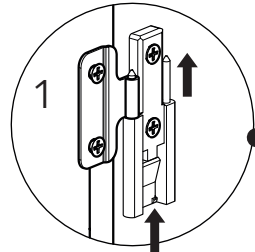
45

10	1123188  x 4	1005681  x 14
1123182  x 1	1123183  x 1	



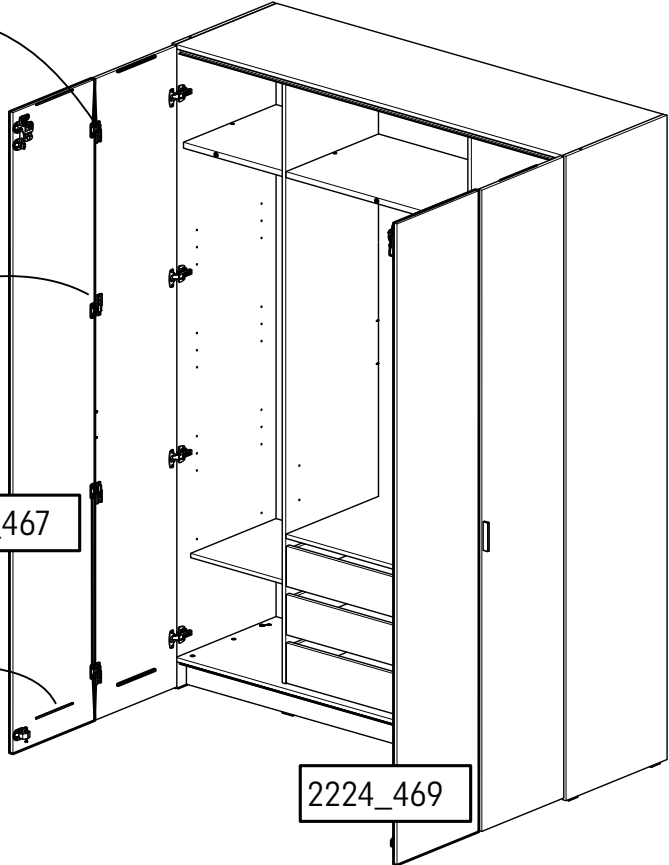
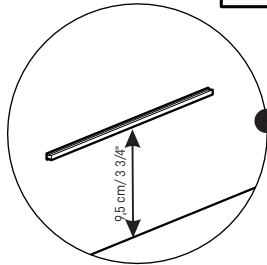
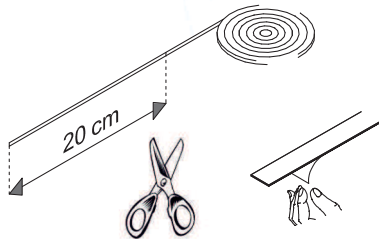
46

	1101595		x1
--	---------	--	----


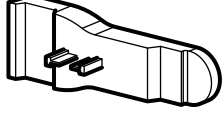


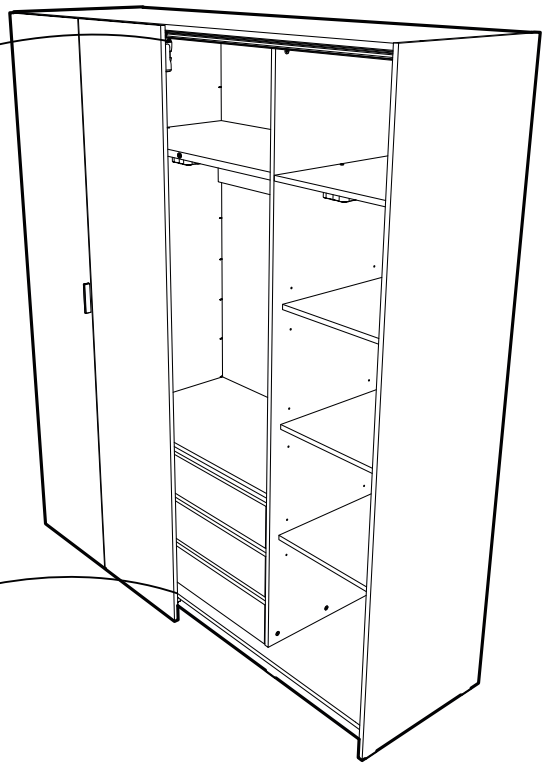
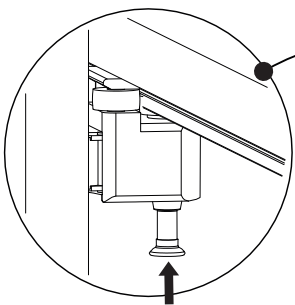
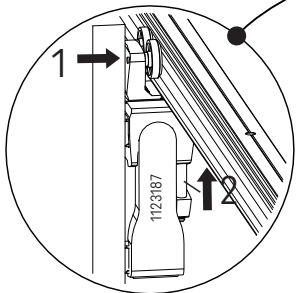
2224\_467

2224\_469


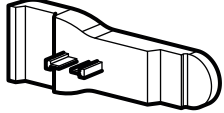


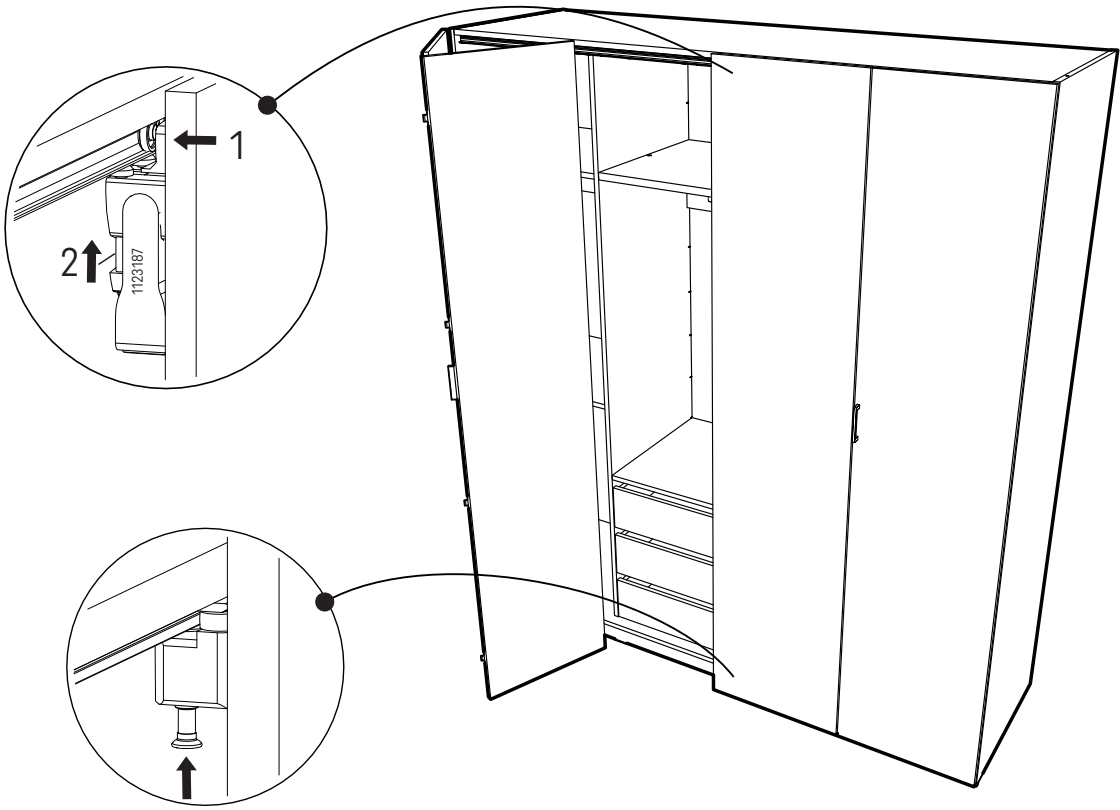
47

	1123187		x1
---	---------	---	----





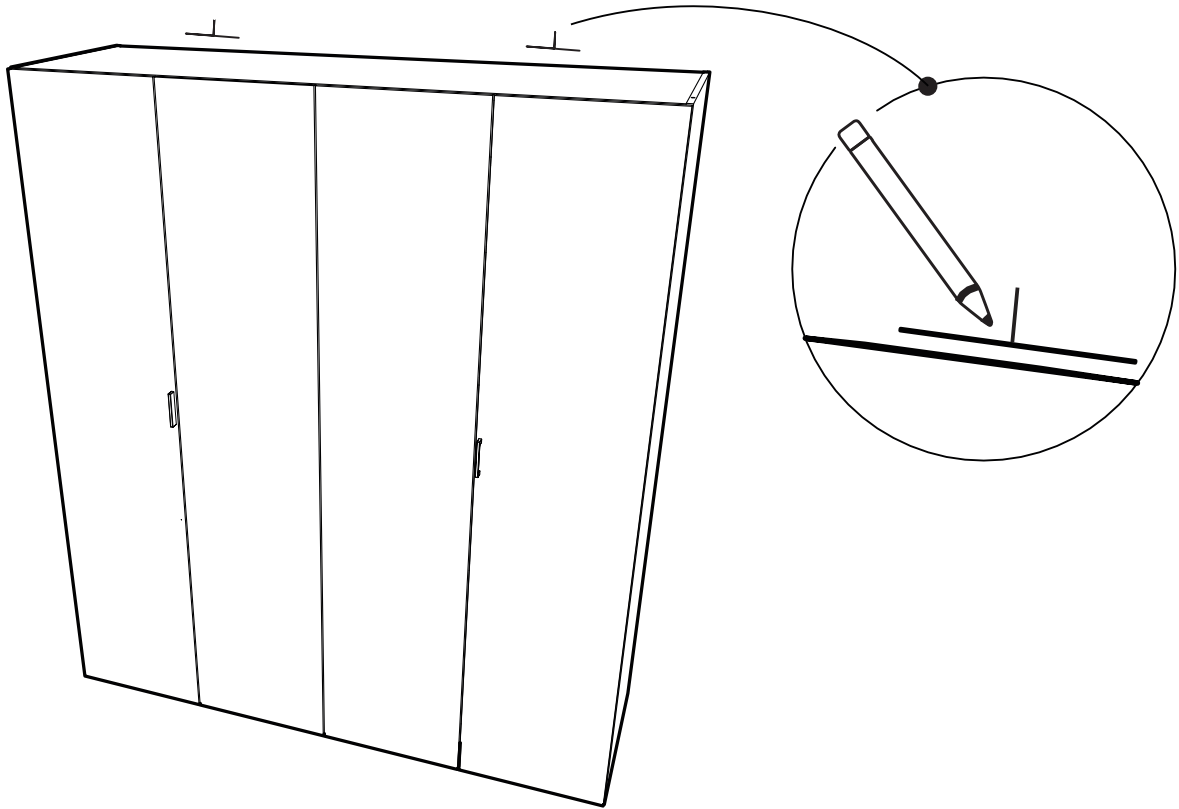
48

	1123187		x1
--	---------	--	----

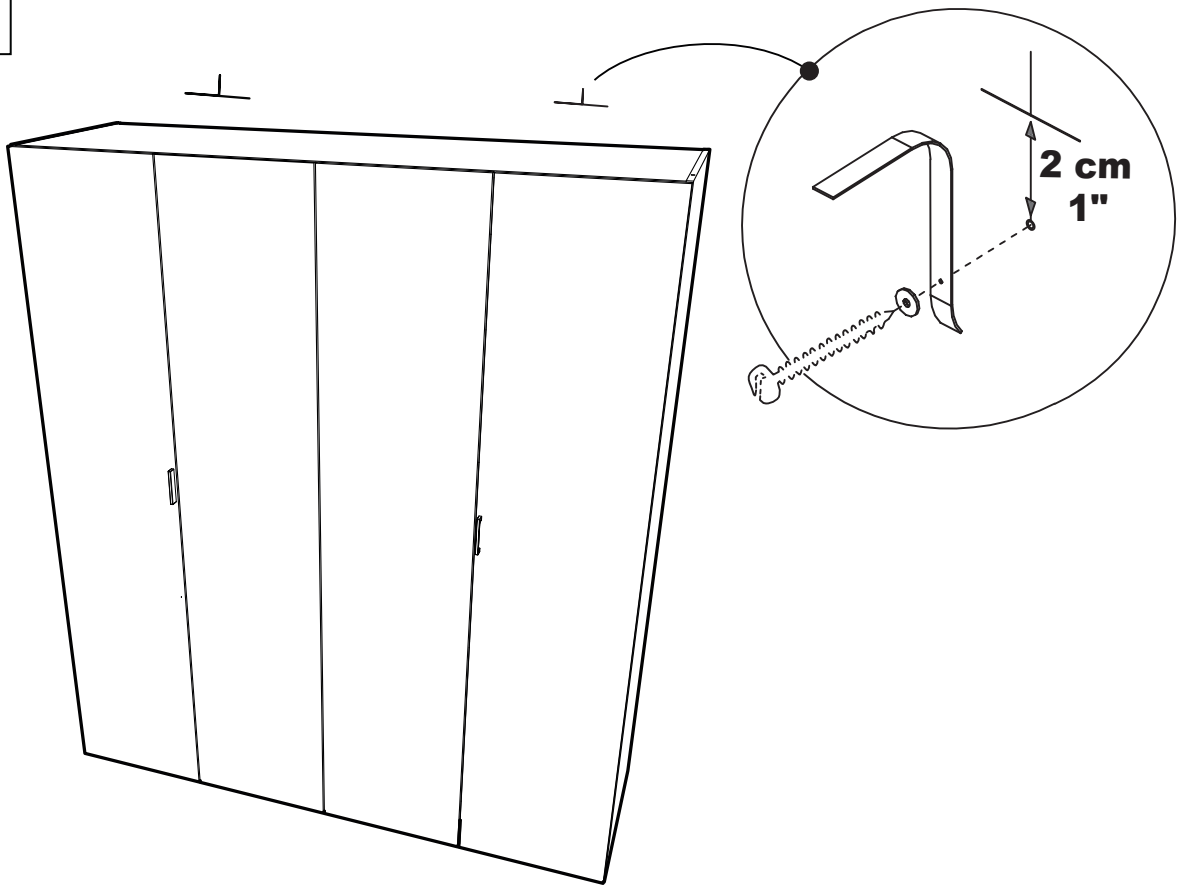


49

	1000893		x2
---	---------	---	----



50



51

