



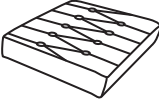
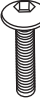
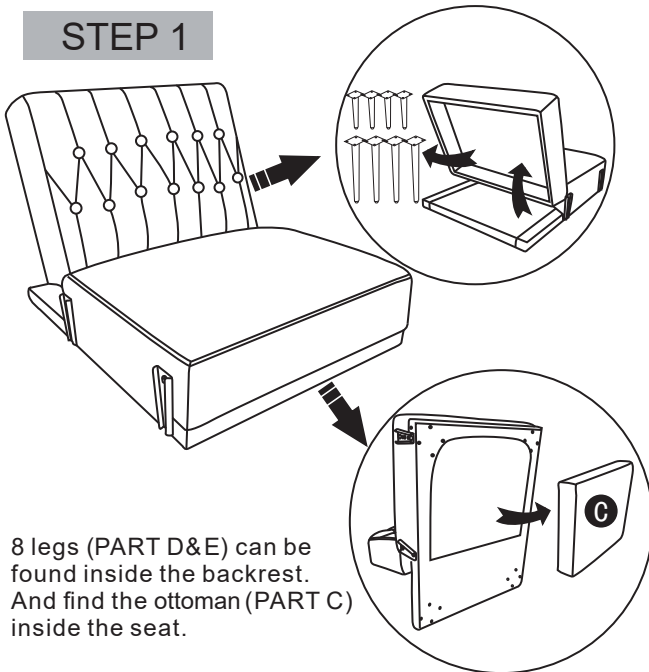


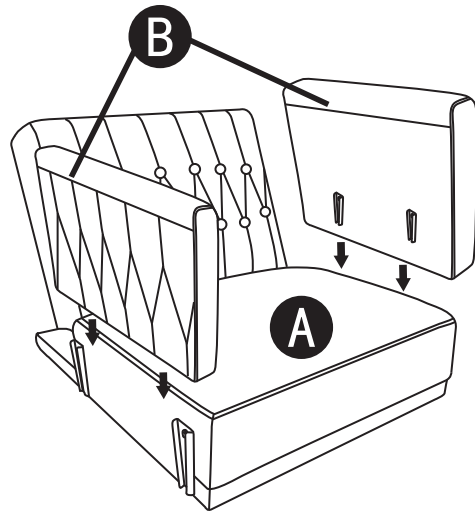
Part NO.	Part Image	Part Name	QTY	Part NO.	Part Image	Part Name	QTY
A		Seat and Backrest	1	D		Sofa feet	4
B		Handrail	2	E		Ottoman feet	4
C		Ottoman	1	F		Screw	32

If you want to remove the white protective film more easily, you can disassemble the screws on both sides of the golden bar first to tear off the film

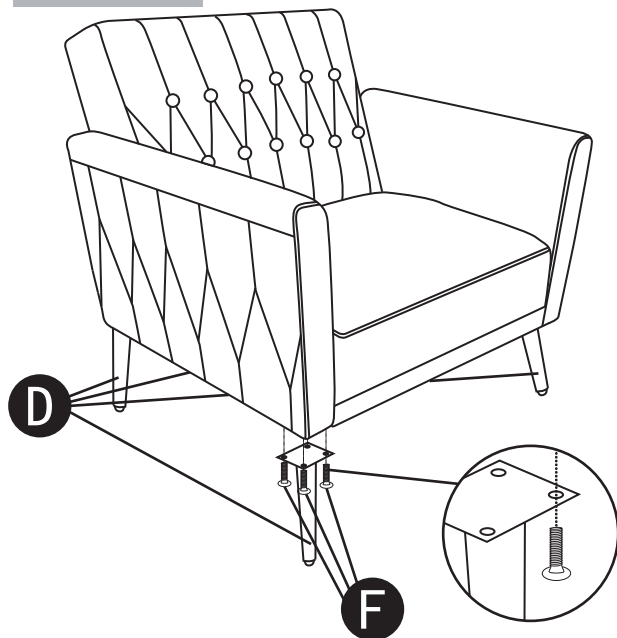
STEP 1



STEP 2



STEP 3



STEP 4

