

INSTALLATION

Product Manual



IMPORTANT INFORMATION!

please read the entire manual before starting to assemble and/or using this product. follow the manual thoroughly and keep it for further reference.



AVOID SCRATCHES!

In order to avoid scratching this furniture should be assembled on a soft layer- could be a rug.



IMPROVE EFFICIENCY !

Try to find a partner to install with you, which can speed up the installation efficiency and shorten the time.



ANTI-TOPPLE WARNING !

Overturnd furniture can cause serious or fatal crush injuries. To prevent tipping over, be sure to use the wall attachment, if not included with this product. Please purchase the wall attachment that fit your wall. If unsure, seek professional advice. Please read and follow each step of the instructions carefully.

IMPORTANT !

It is important that any product which is assembled using any kind of screw is re-tightened 2 weeks after assembly, and once every 3 months - in order to assure stability through-out the lifespan of the product.

For regular maintenance and cleaning of the product, for the frame, please use a rag dipped in neutral detergent to fully wipe it, and then dry it with a clean rag. For glass materials, wipe with a rag dampened with water glass cleaner, and then dry with a dry rag.

Do not use an electric screwdriver, and do not use too much force when installing, because the board is easy to break.



Please prepare the following tools



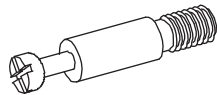
When installing, please carefully confirm whether each screw corresponds to the manual, accessories with similar shapes can be distinguished by size

A x 52



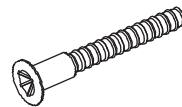
CRB1295A

B x 52



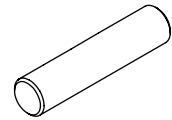
CRA0640A

C x 12



CRC0540A

D x 4



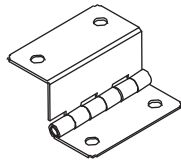
CRF0640A

E x 4

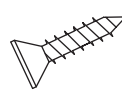


∅8 x 18 mm

F x 2

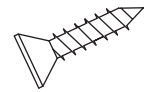


G x 24



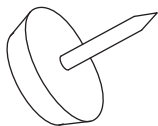
CRD0312A

H x 20

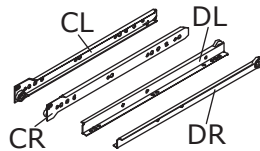


CRD3512A

J x 8

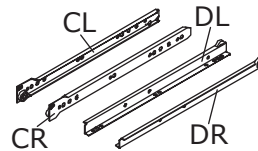


K x 1



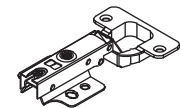
WX0810A

L x 2

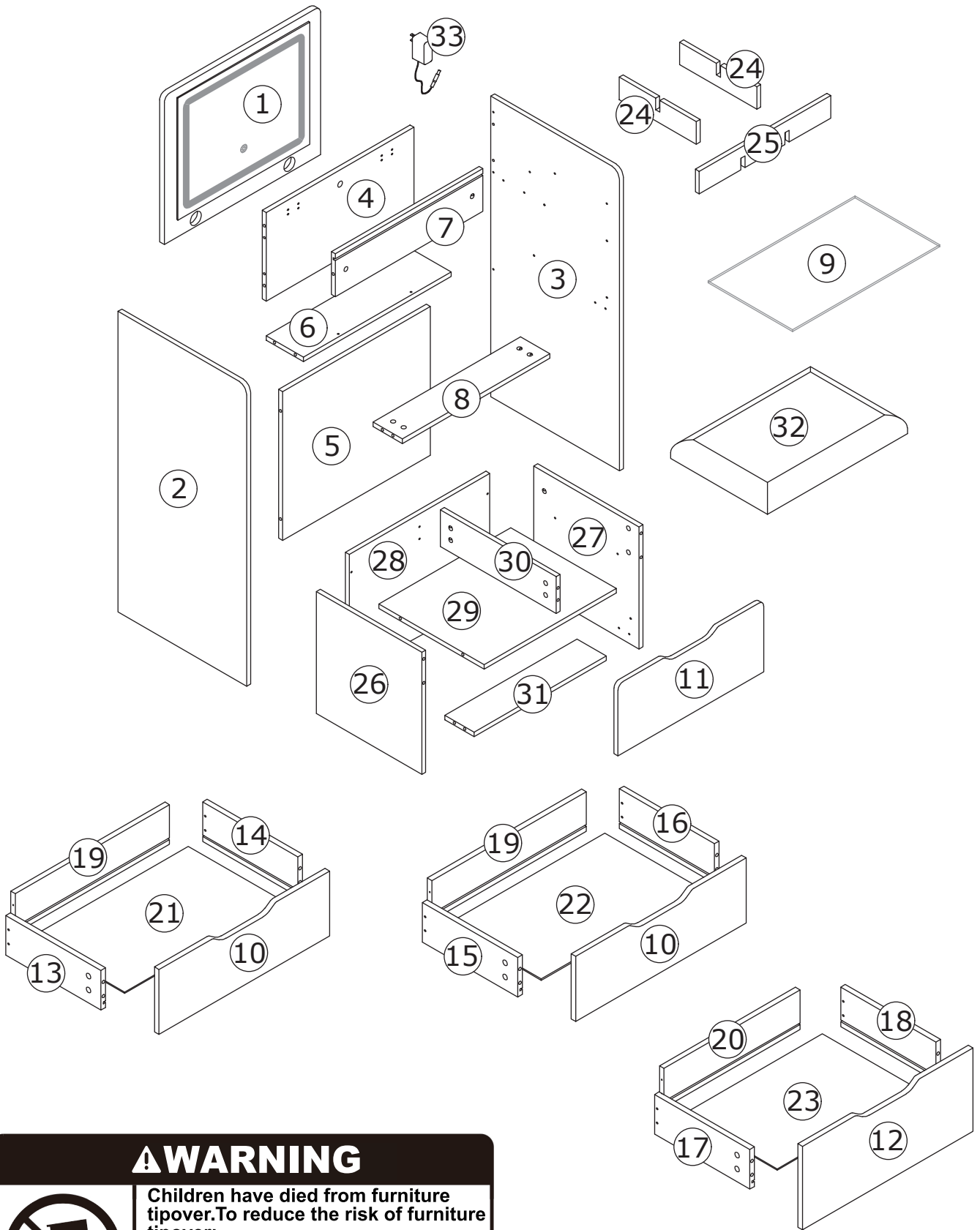


WX0812A

M x 2



DGA861A



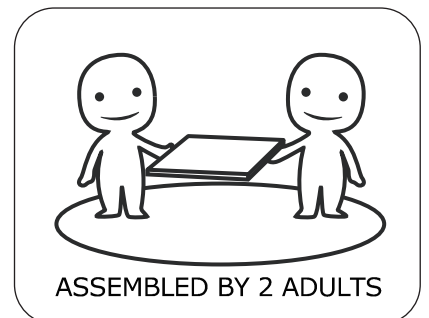
⚠ WARNING



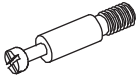

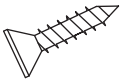
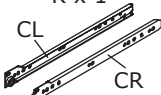
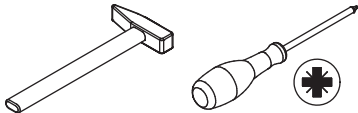
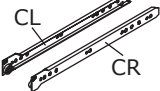
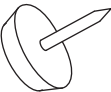
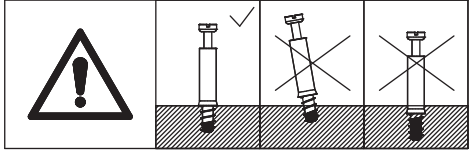
Children have died from furniture tipover. To reduce the risk of furniture tipover:

- ALWAYS install Anti-tip device provided.
- NEVER put a TV on this product.
- NEVER allow children to stand, climb or hang on drawers, doors, or shelves.
- NEVER open more than one drawer at a time.
- Place heaviest items in the lowest drawers.

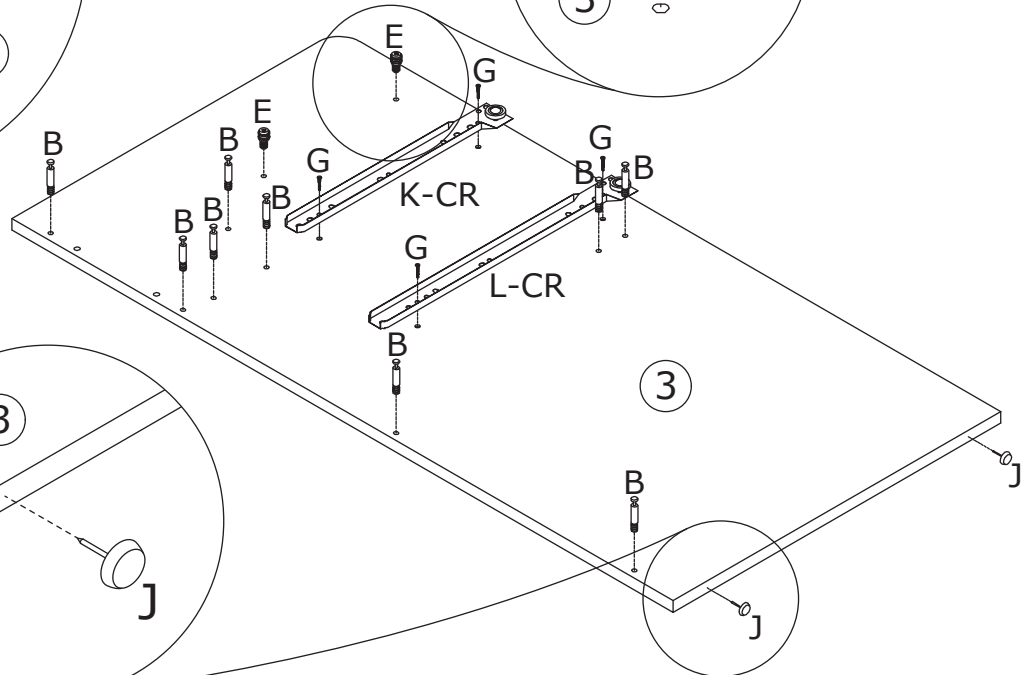
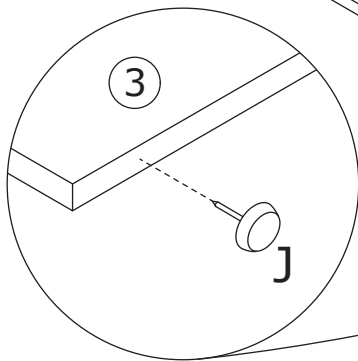
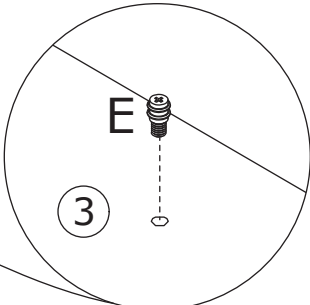
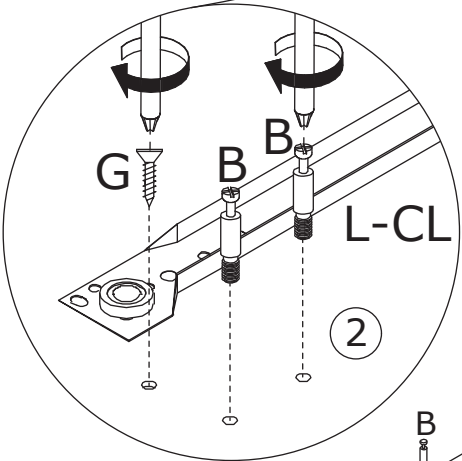
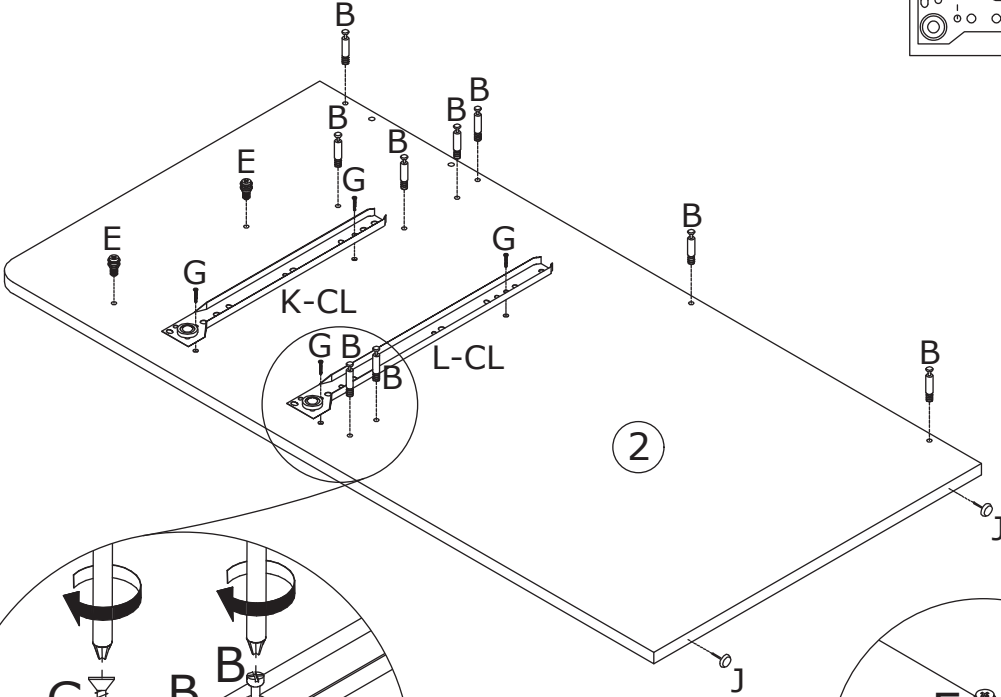
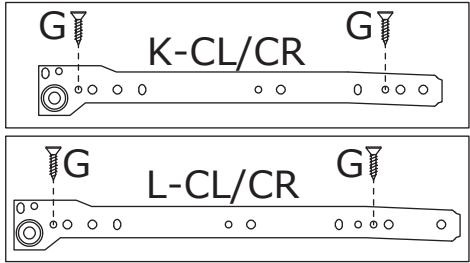
*This is a permanent label.
Do not remove!*



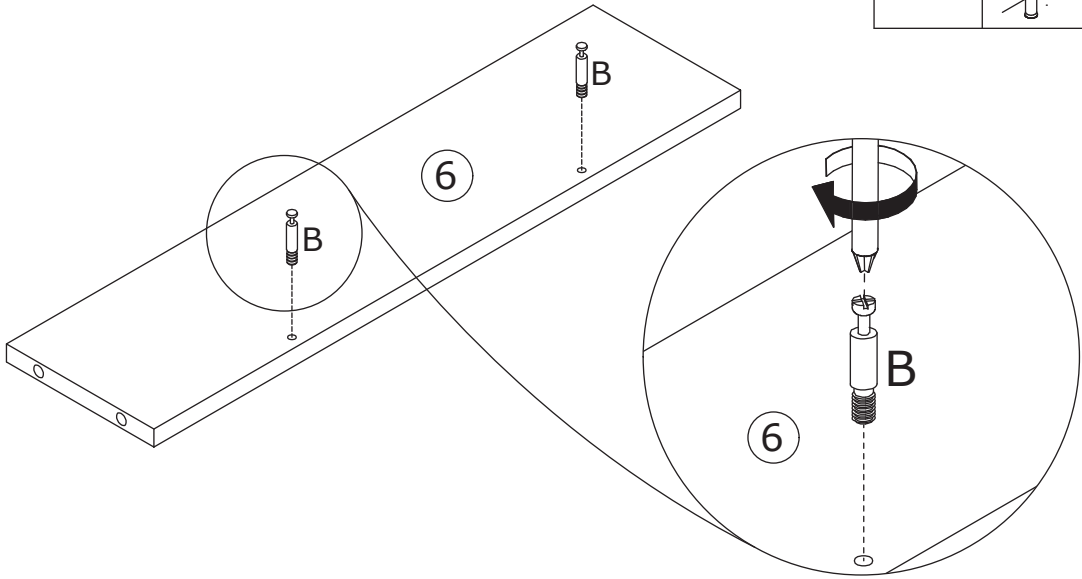
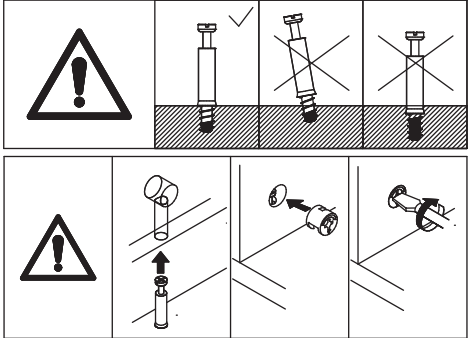
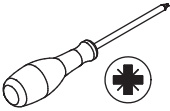
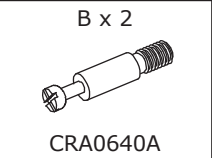
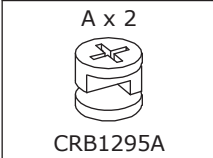
1

<p>B x 18</p>  <p>CRA0640A</p>	<p>E x 4</p>  <p>Ø8 x 18 mm</p>	<p>G x 8</p>  <p>CRD0312A</p>	<p>K x 1</p>  <p>CL CR</p> <p>WX0810A</p>	
<p>L x 1</p>  <p>CL CR</p> <p>WX0812A</p>	<p>J x 4</p> 			

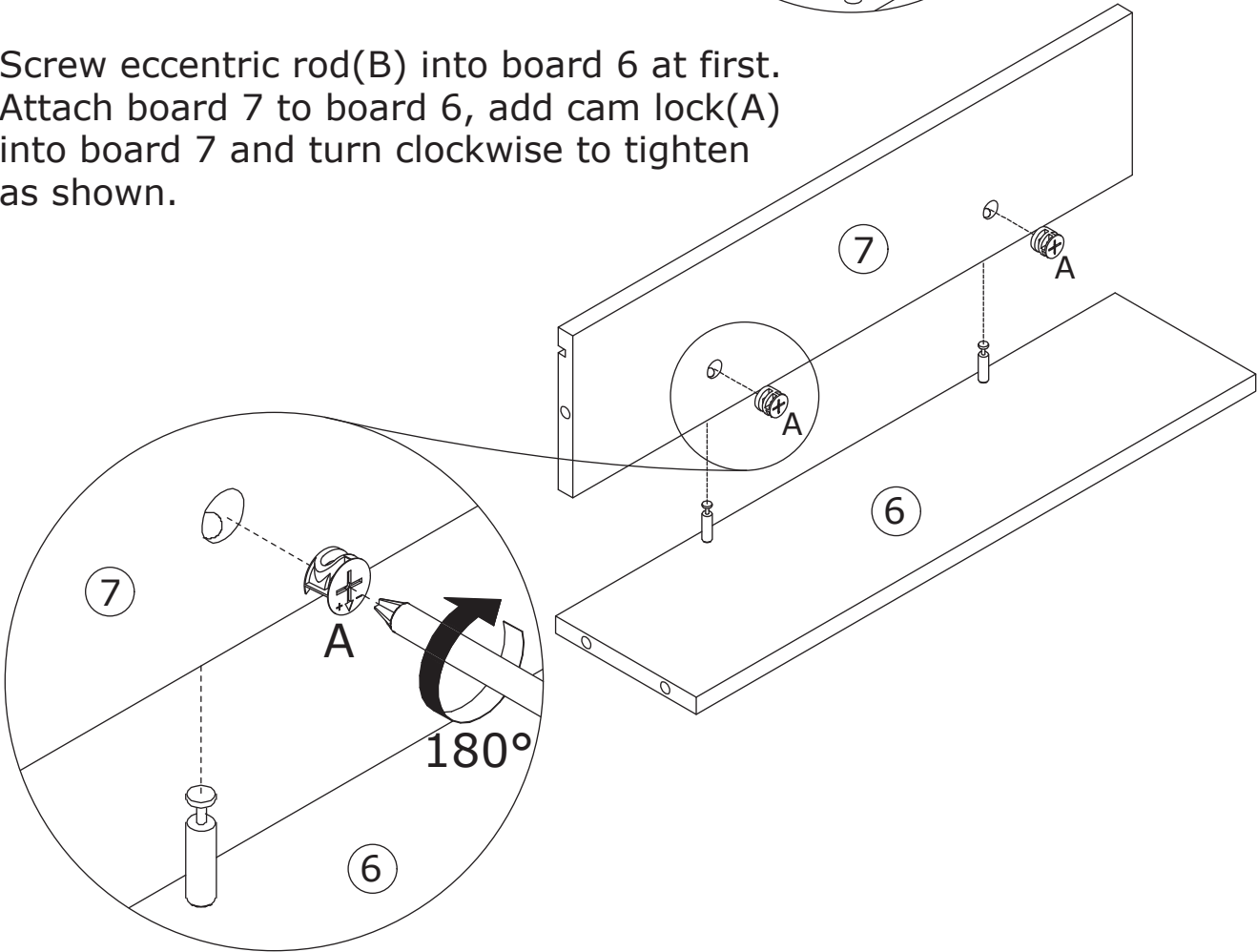
Fix rail(CL) and (CR) to board 2 and 3 with screw(G) at first.
Screw eccentric rod(B) into board 2 and 3, knock foot pad(J) into as shown.



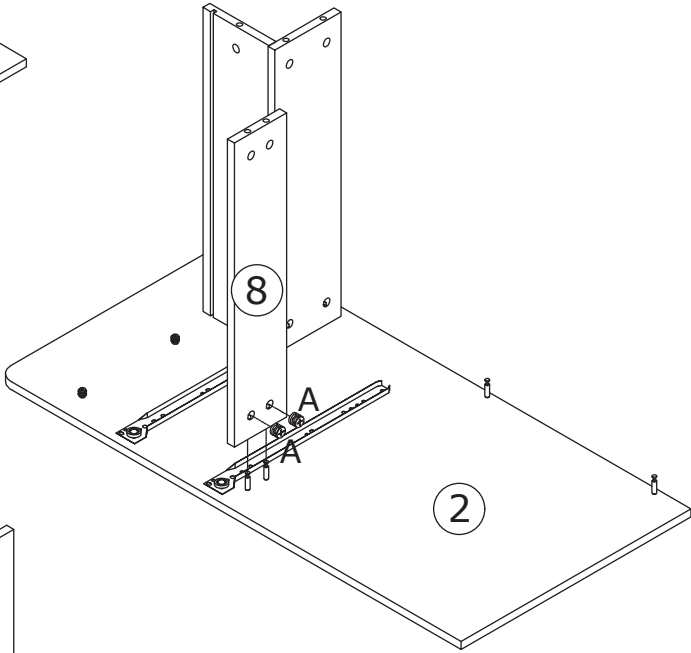
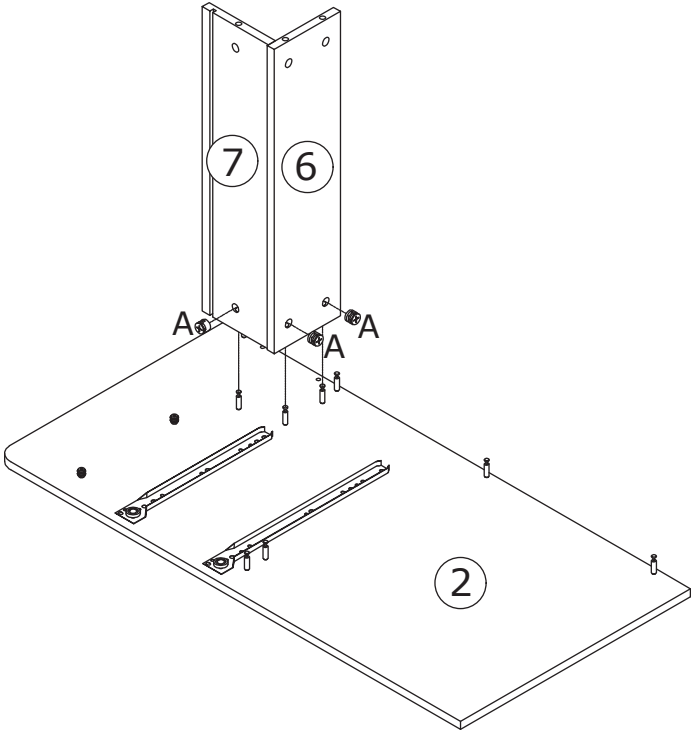
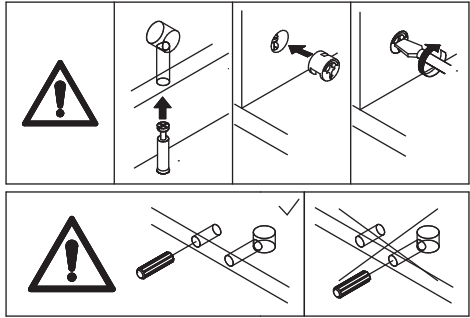
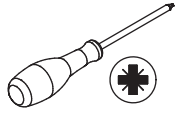
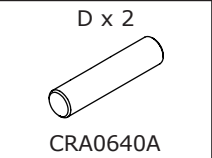
2



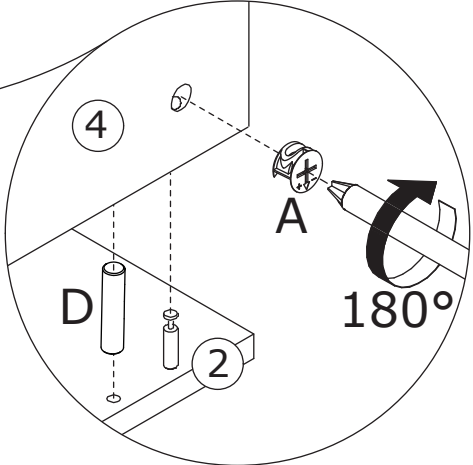
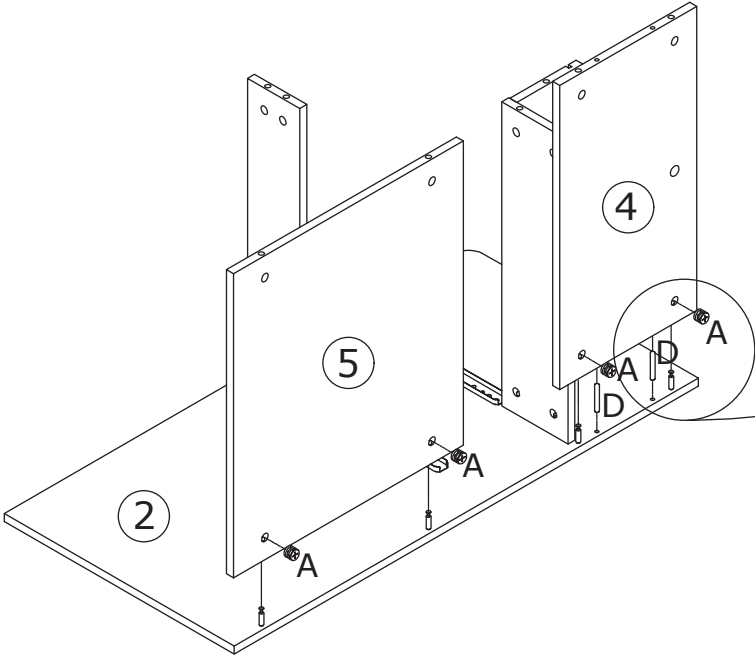
Screw eccentric rod(B) into board 6 at first.
Attach board 7 to board 6, add cam lock(A)
into board 7 and turn clockwise to tighten
as shown.



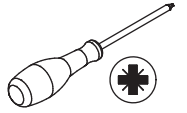
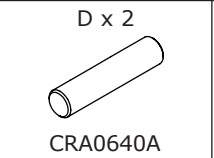
3



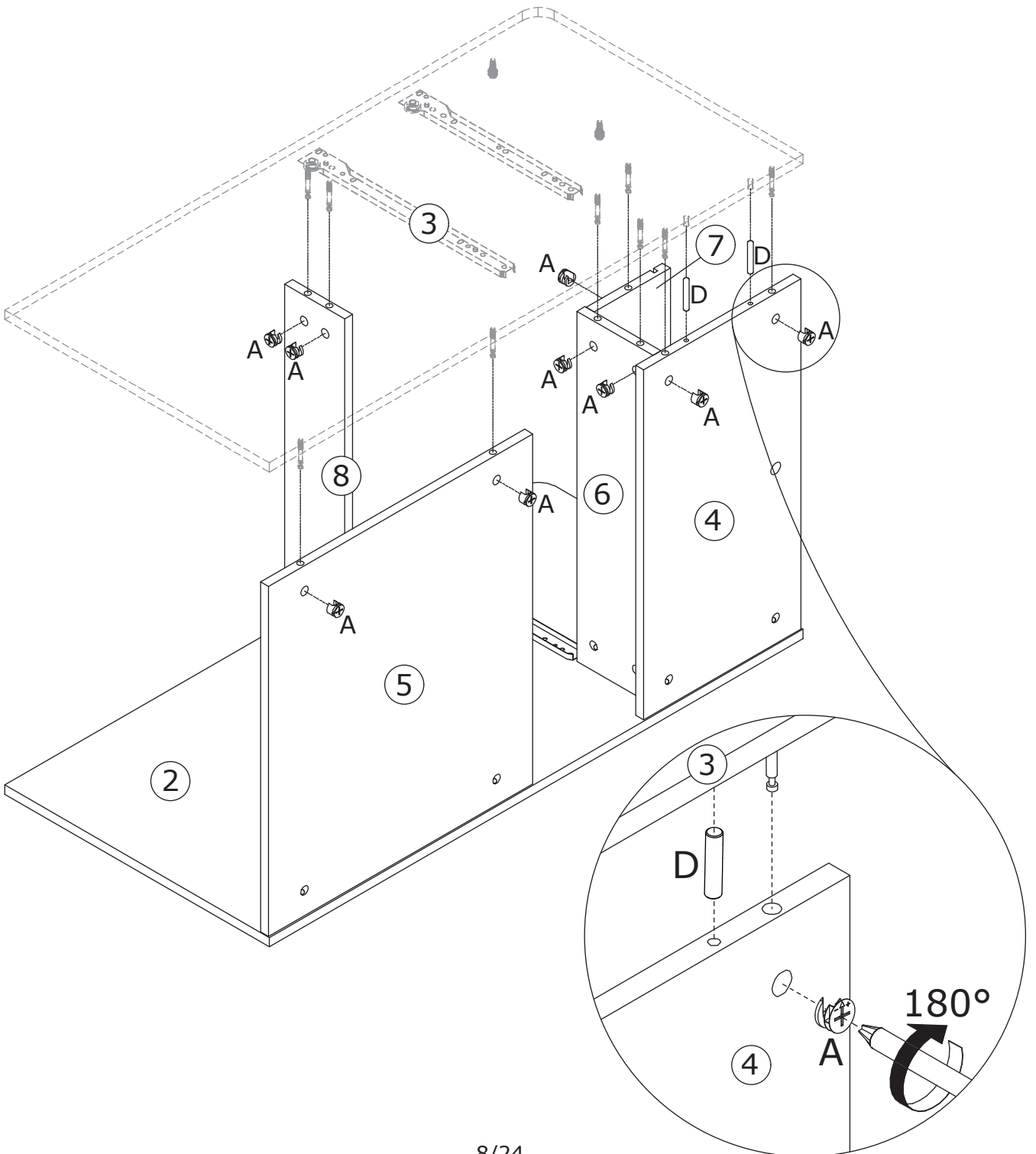
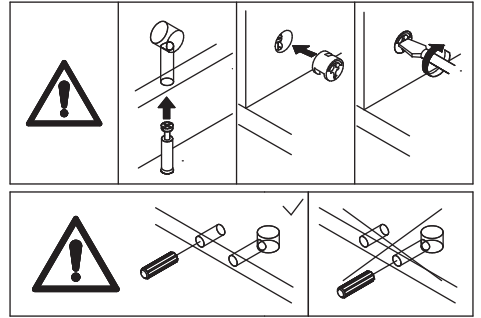
Insert wooden dowel(D)
into board 4 at first.
Attach board 6, 7, 8, 4 and 5
to board 2, add cam lock(A)
into board 6,7,8,4,5 and turn
clockwise to tighten as shown.



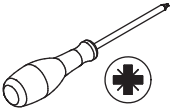
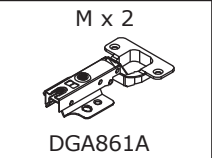
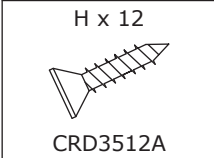
4



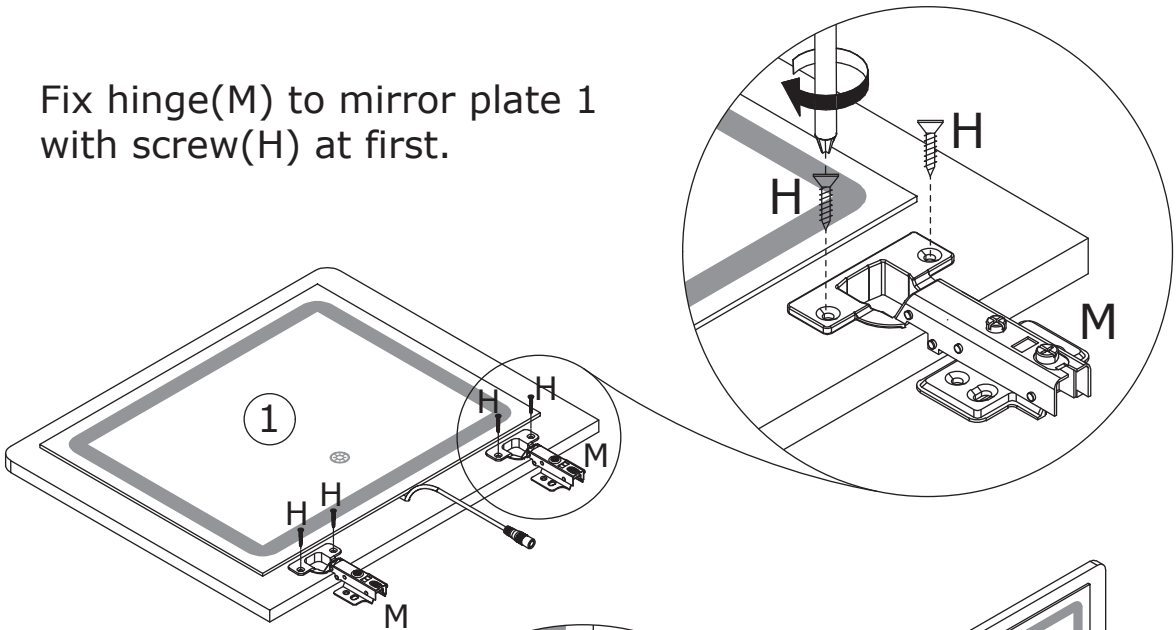
Insert wooden dowel(D) into board 4 at first. Attach board 3 to board 6, 7, 8, 4 and 5, add cam lock(A) into board 6,7,8,4,5 and turn clockwise to tighten as shown.



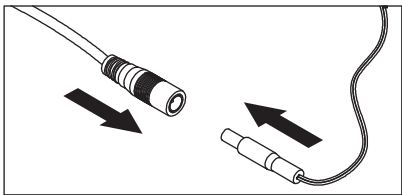
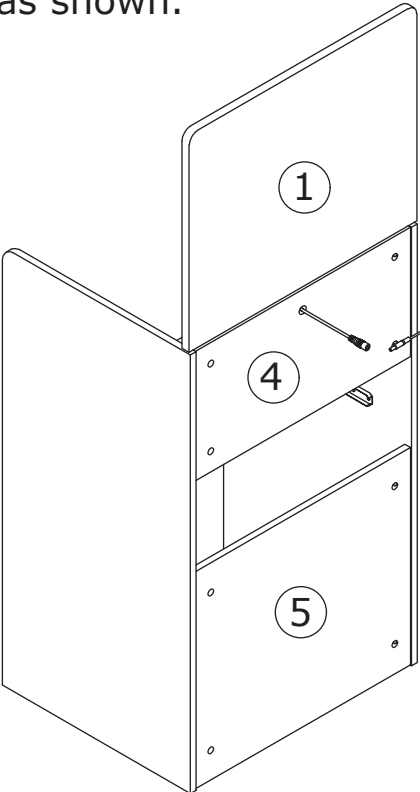
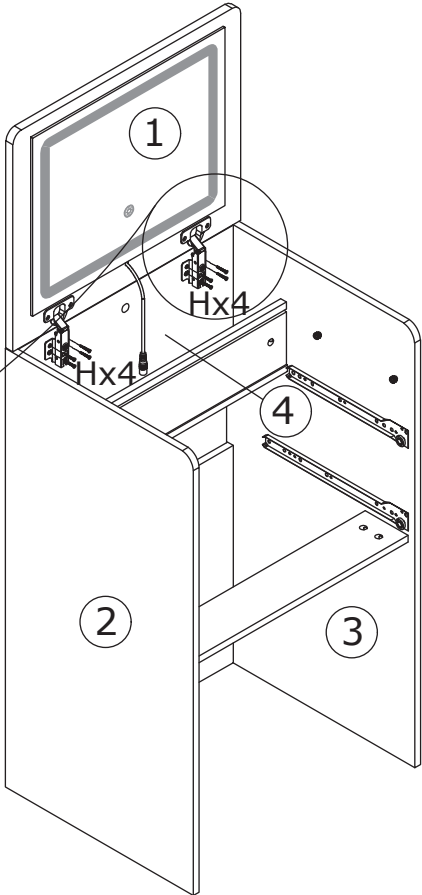
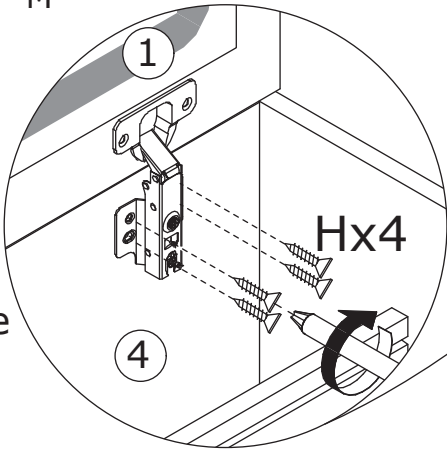
5



Fix hinge(M) to mirror plate 1 with screw(H) at first.

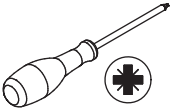


Assemble mirror plate to board 4 by fixing hinge with screw(H) as shown.



Route the cord through the backplane hole, and then connect to the power adapter.

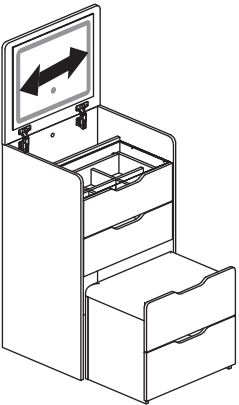
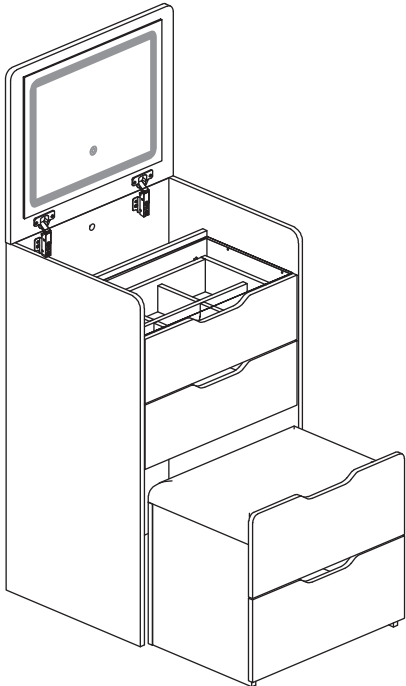
6



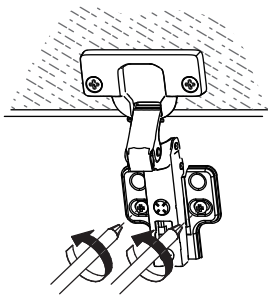
If doors are still not aligned if the hinges are properly correctly, please watch the video.

<https://youtu.be/n0Lb36SoODM>

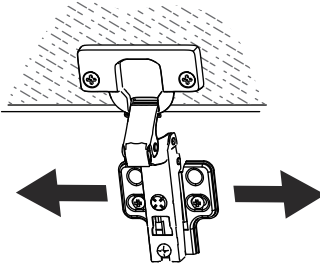
If there is misalignment after you install, adjust the screw to the best condition



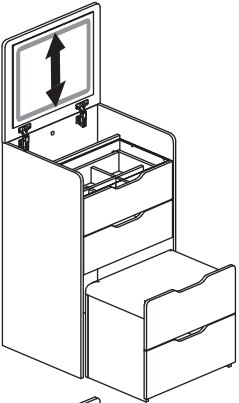
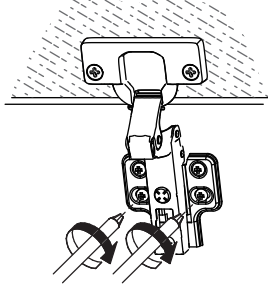
I



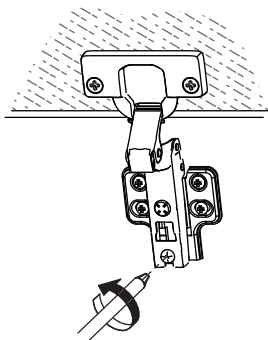
II



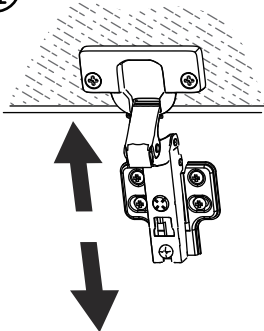
III



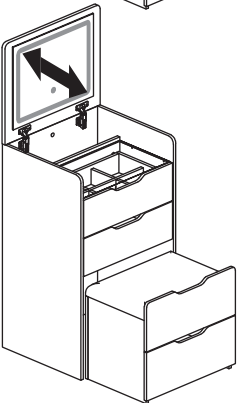
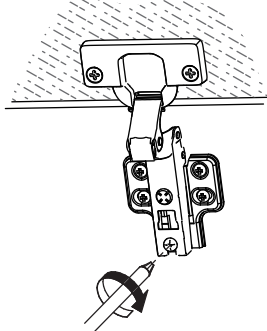
I



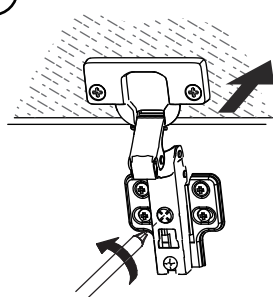
II



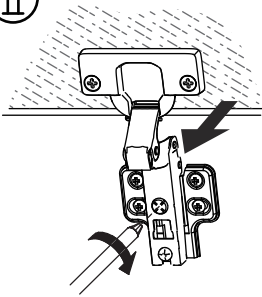
III



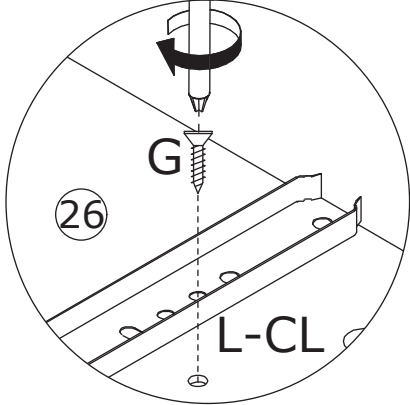
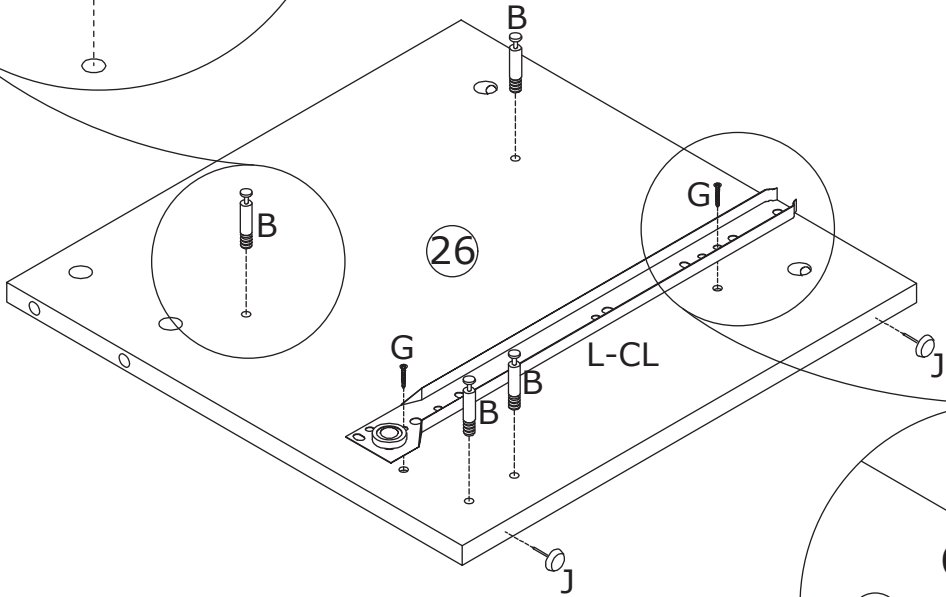
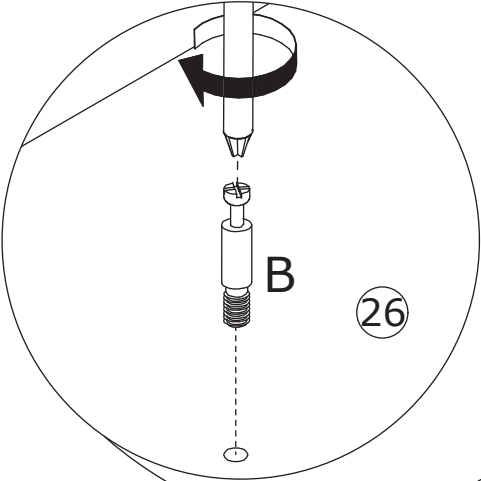
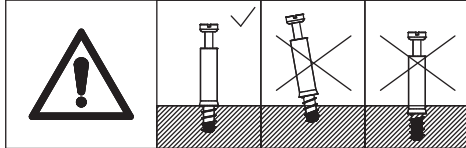
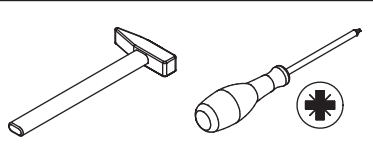
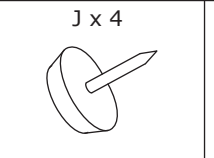
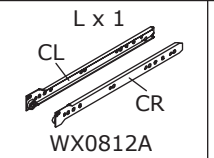
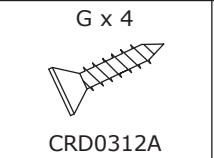
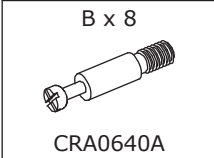
I



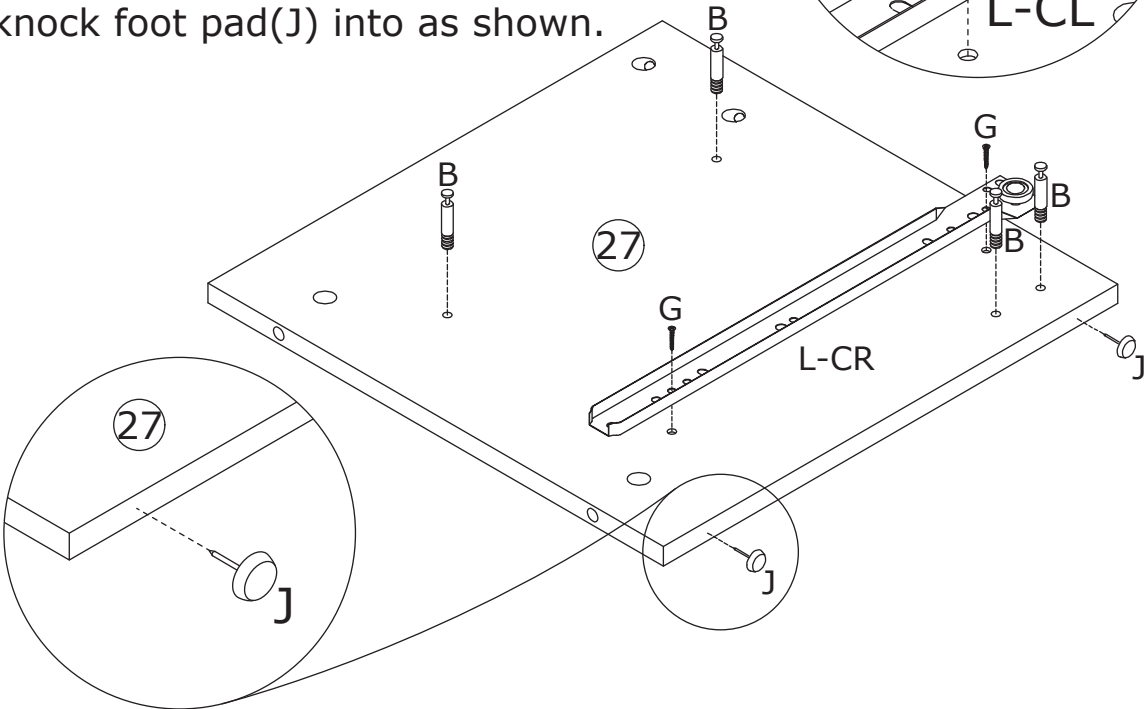
II



7

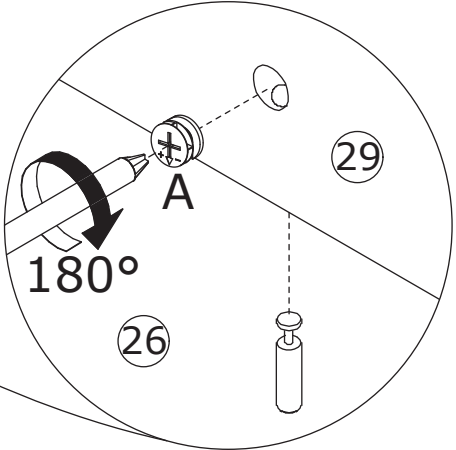
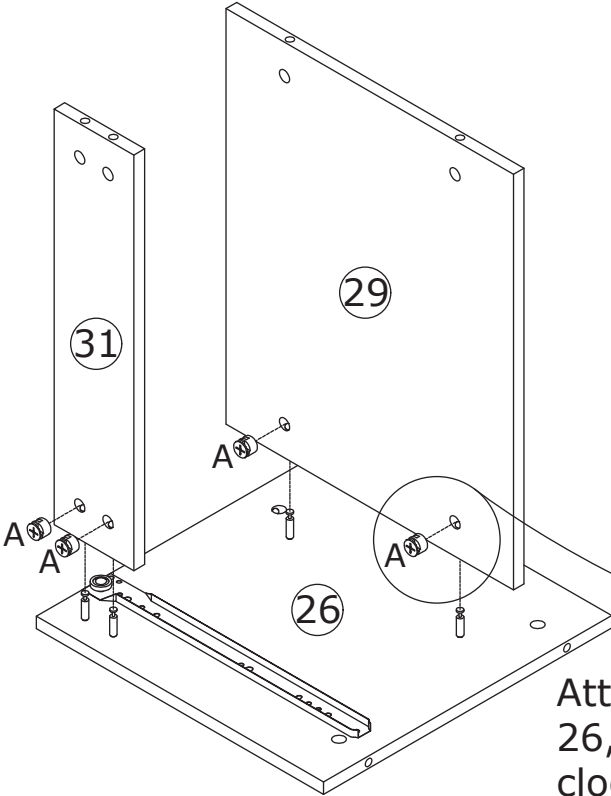
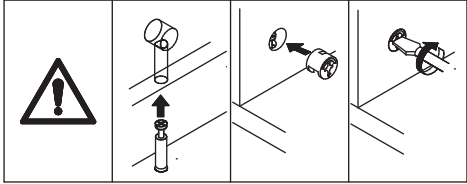
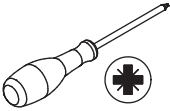


Fix rail(L-CL) and (L-CR) to board 26 and 27 with screw(G) at first. Screw eccentric rod(B) into board 26 and 27, knock foot pad(J) into as shown.



8

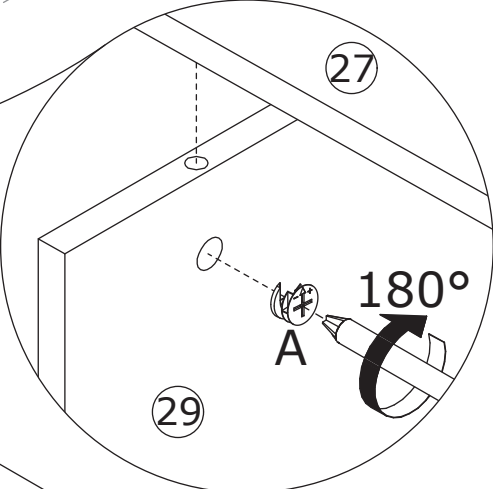
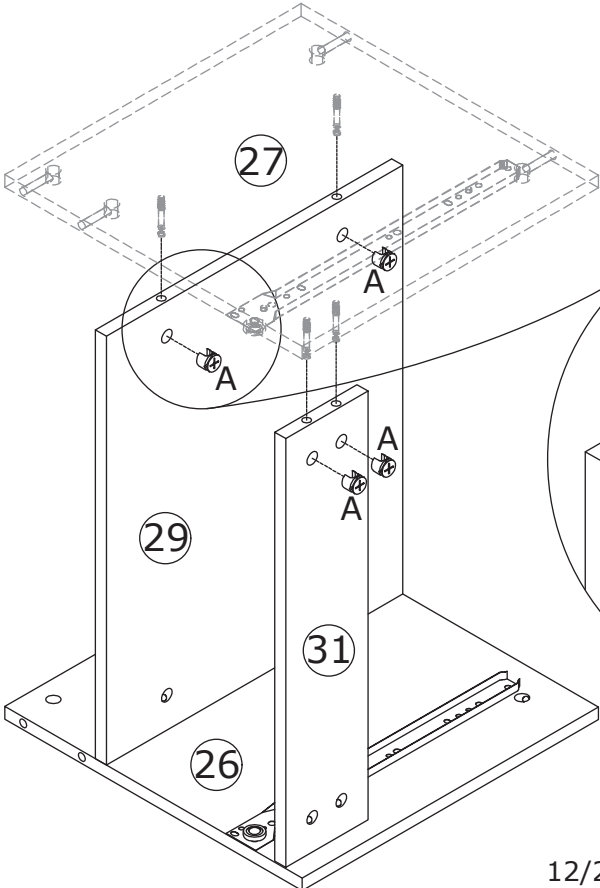
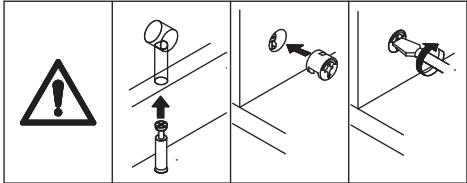
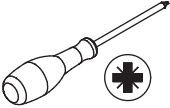
A x 4
CRB1295A



Attach board 29 and 31 to board 26, add cam lock(A) into and turn clockwise to tighten as shown.

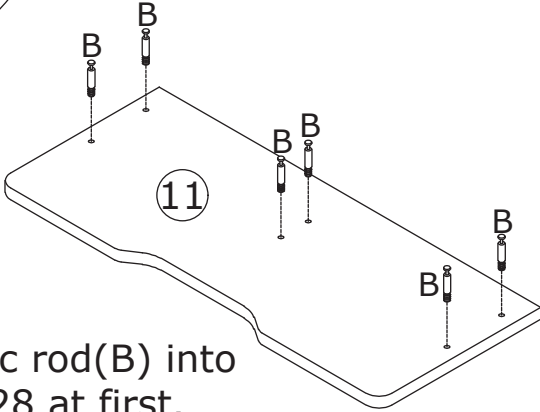
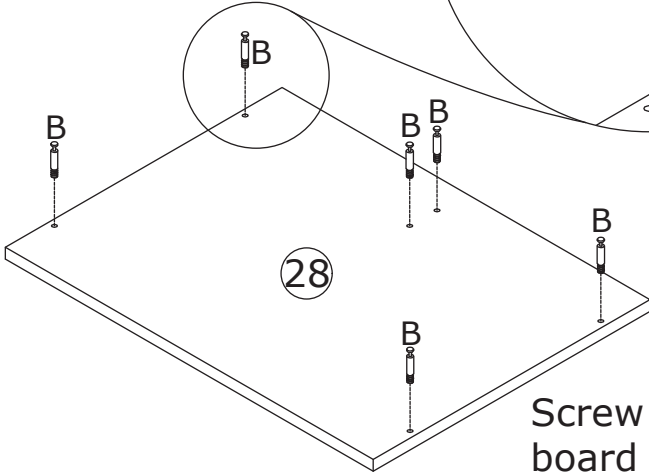
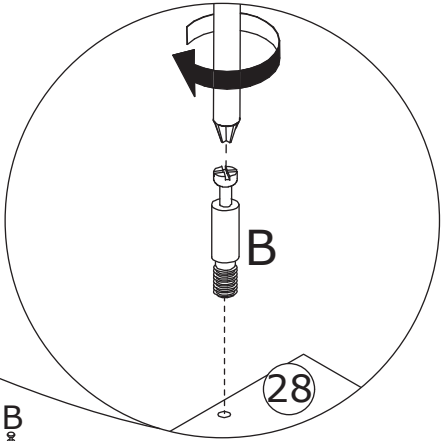
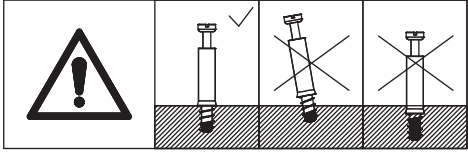
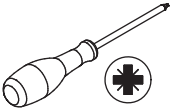
9

A x 4
CRB1295A



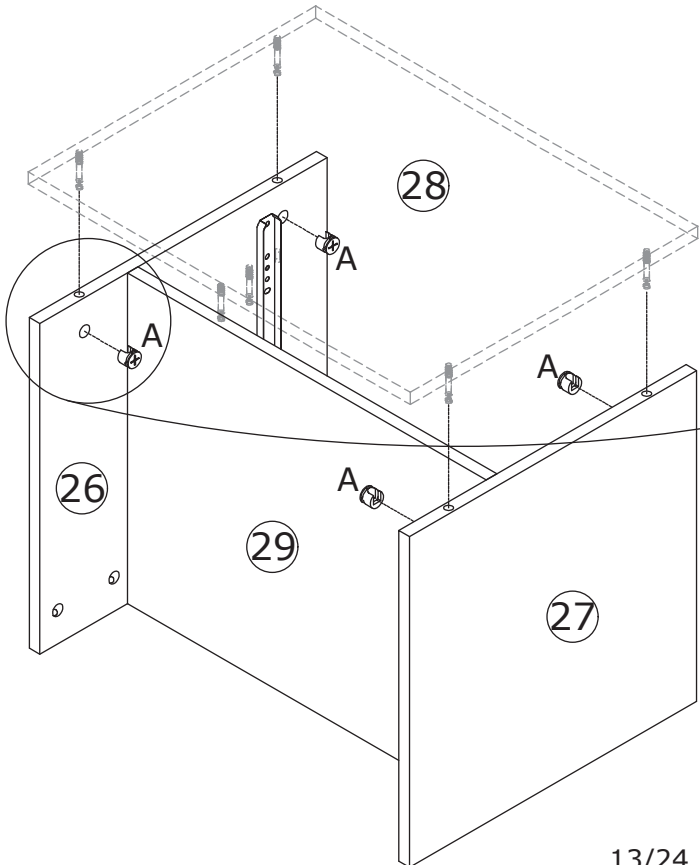
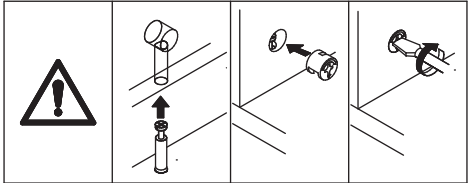
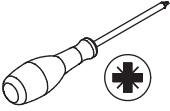
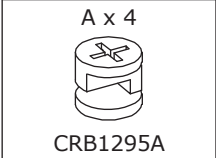
Attach board 27 to board 29 and 31, add cam lock(A) into and turn clockwise to tighten as shown.

10

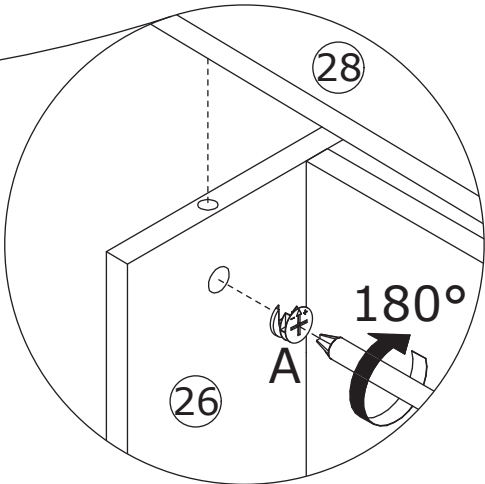


Screw eccentric rod(B) into board 11 and 28 at first.

11

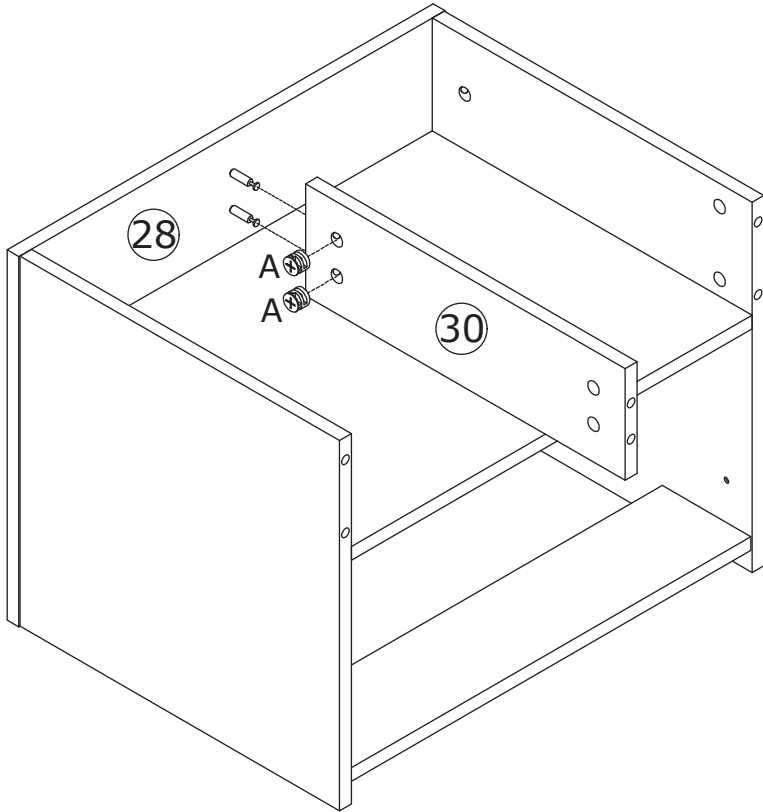
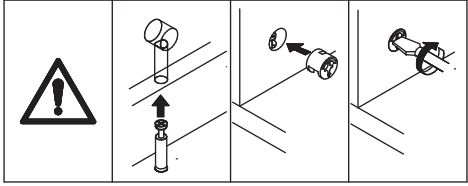
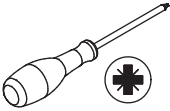


Attach board 28 to board 26 and 27, add cam lock(A) into and turn clockwise to tighten as shown.

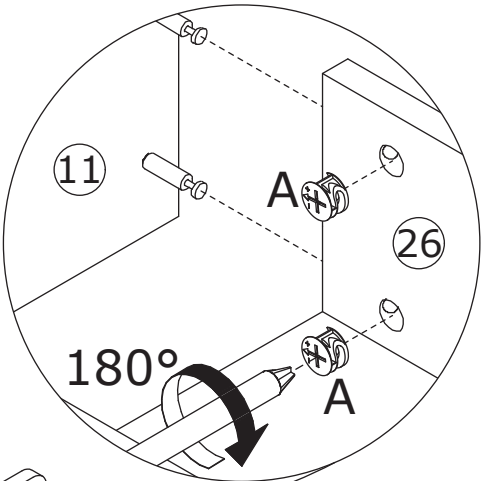


12

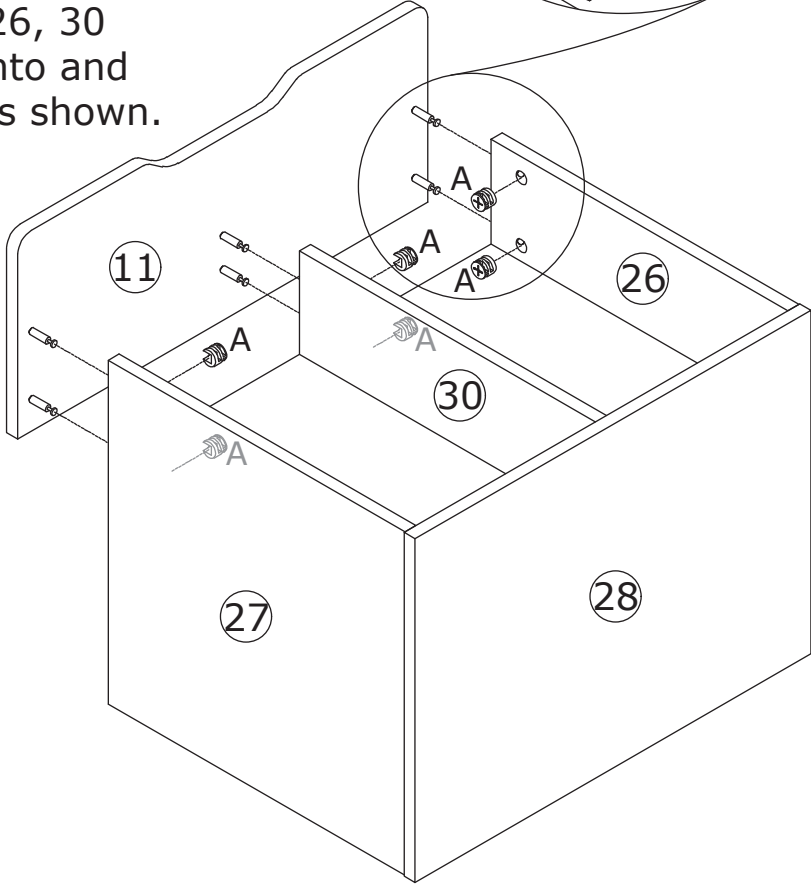
A x 8
CRB1295A



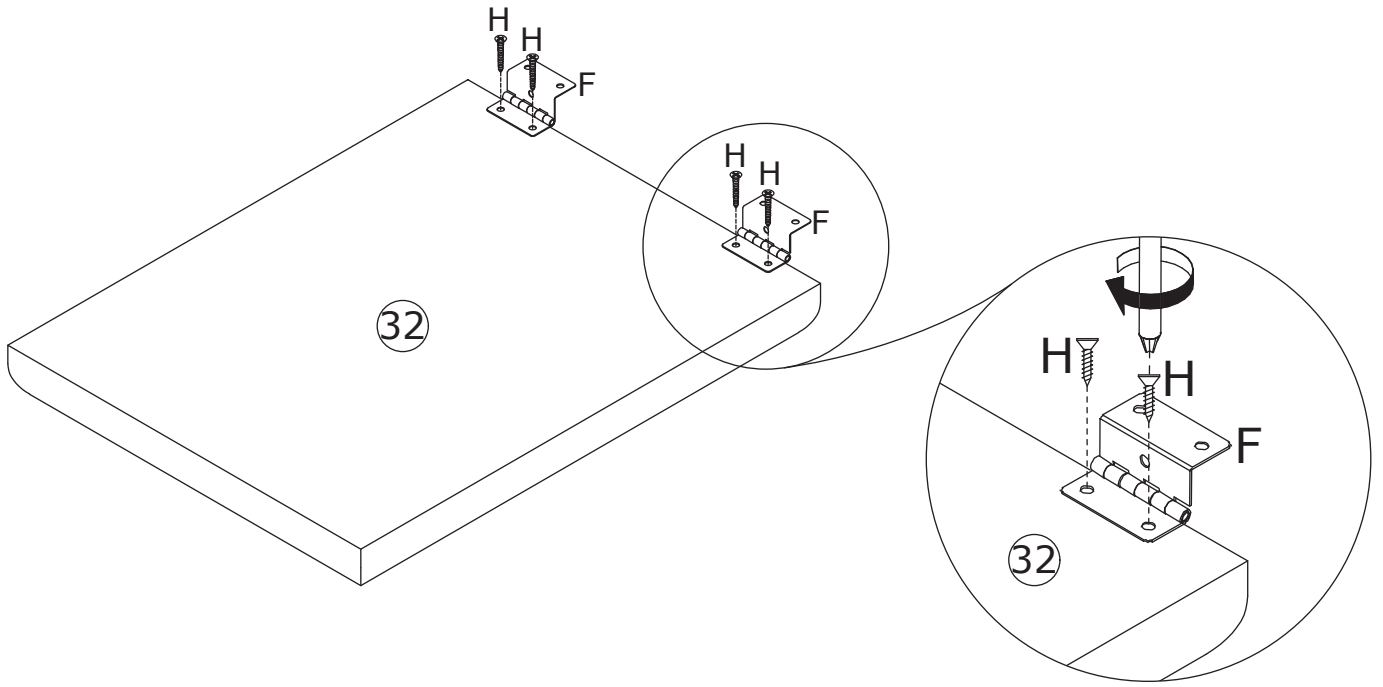
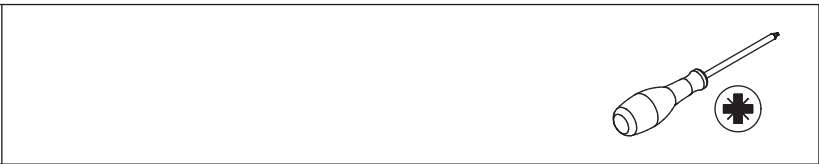
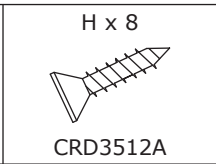
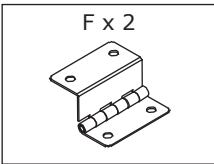
Attach board 30 to board 28, add cam lock(A) into and turn clockwise to tighten as shown.



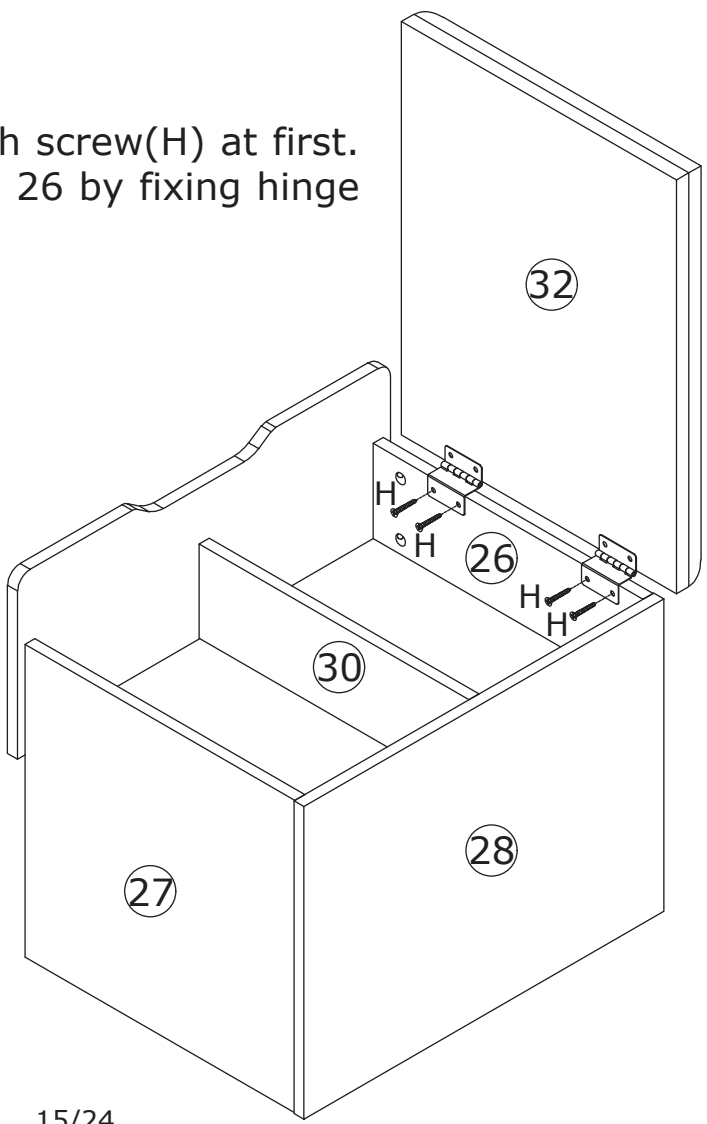
Attach board 11 to board 26, 30 and 27, add cam lock(A) into and turn clockwise to tighten as shown.



13

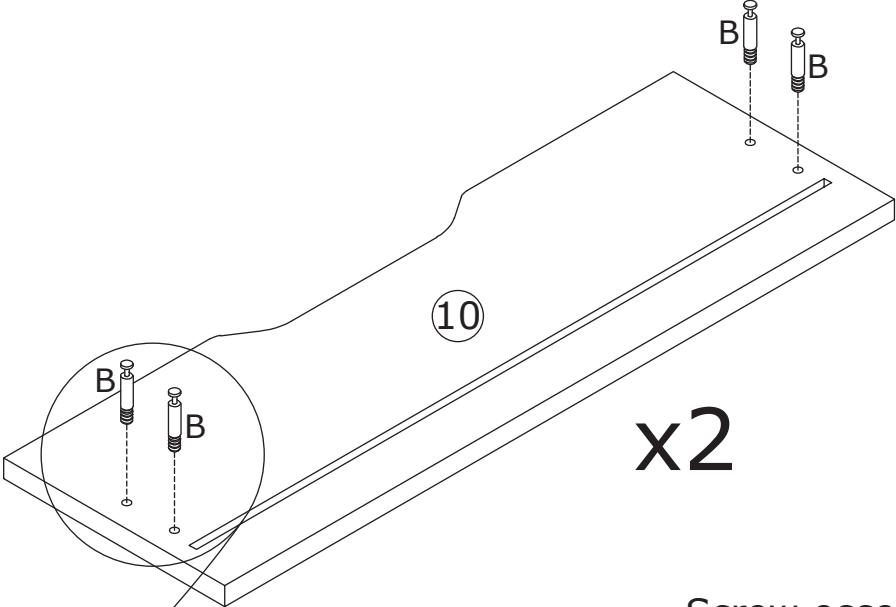
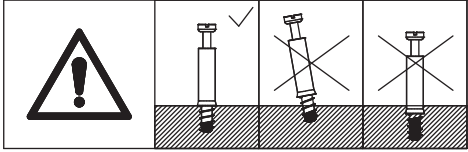
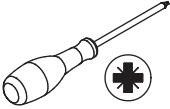


Fix hinge(F) to board 32 with screw(H) at first.
Assemble board 32 to board 26 by fixing hinge
with screw(H) as shown.

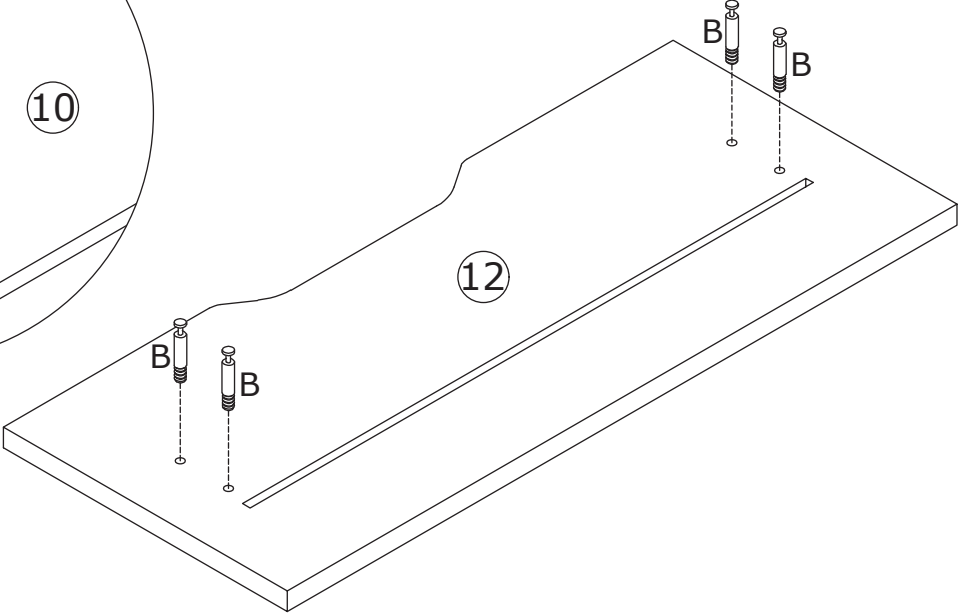
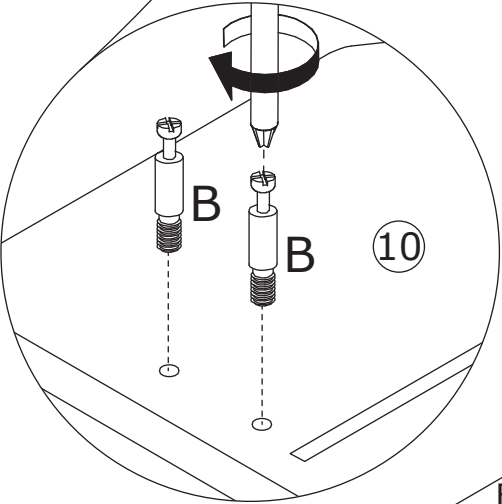


14

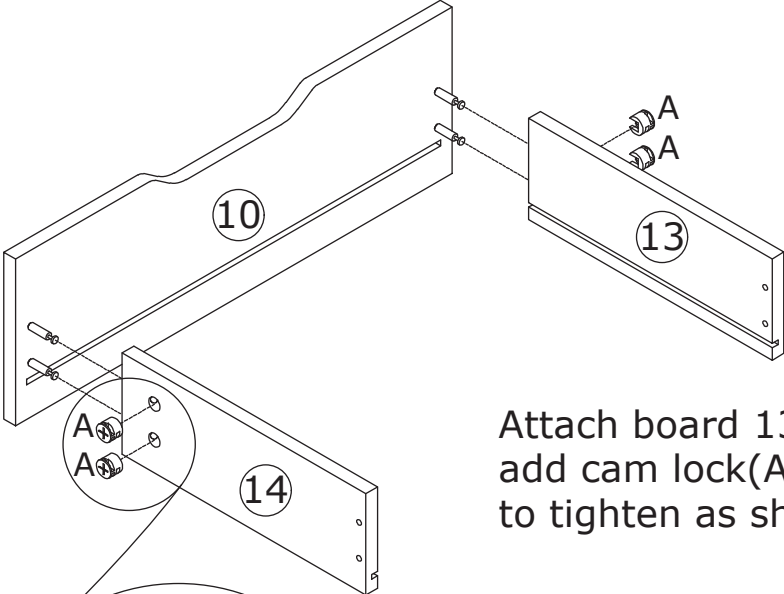
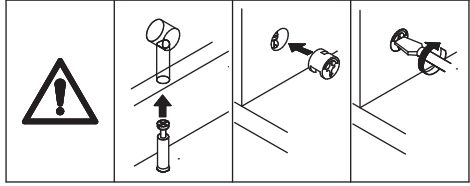
B x 12
CRA0640A



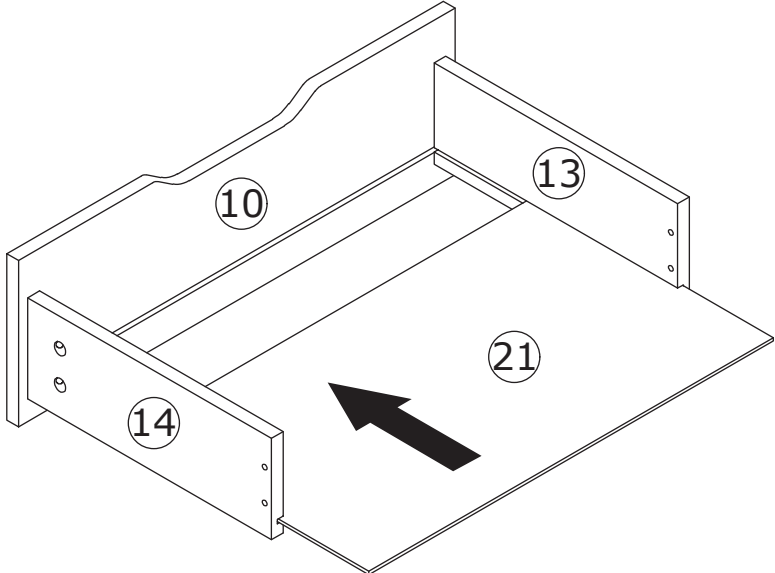
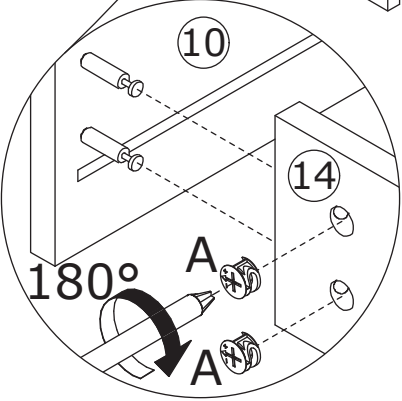
Screw eccentric rod(B) into board 12 and 10 as shown.



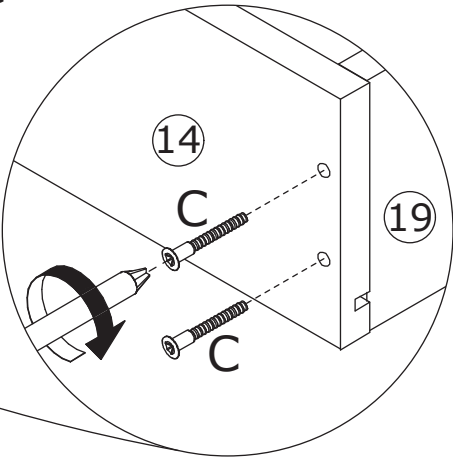
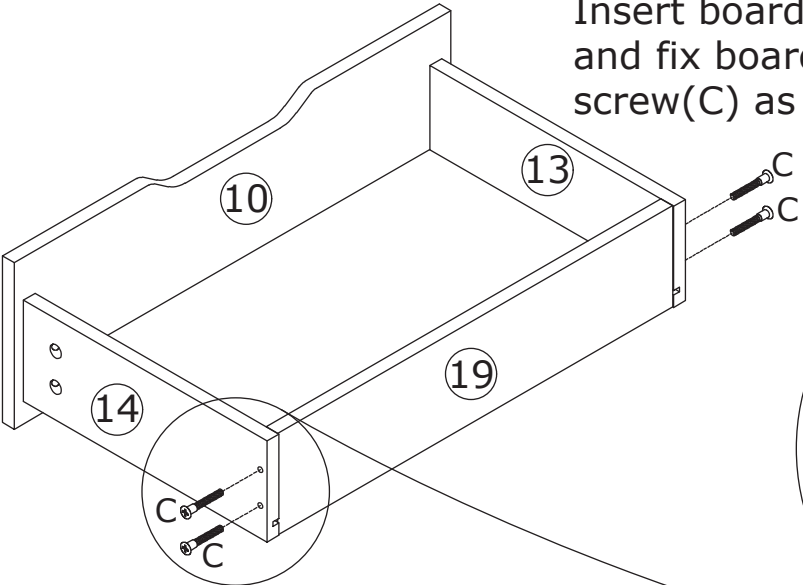
15



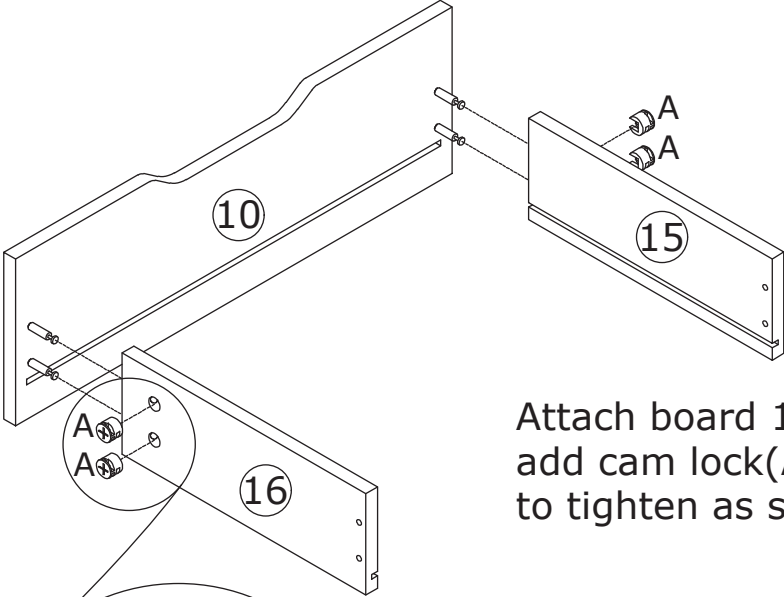
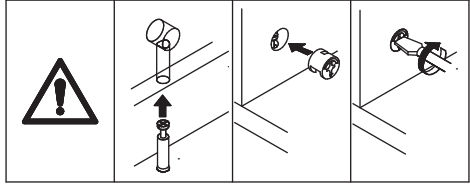
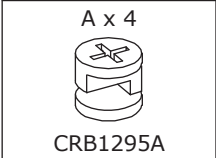
Attach board 13 and 14 to board 10, add cam lock(A) into and turn clockwise to tighten as shown.



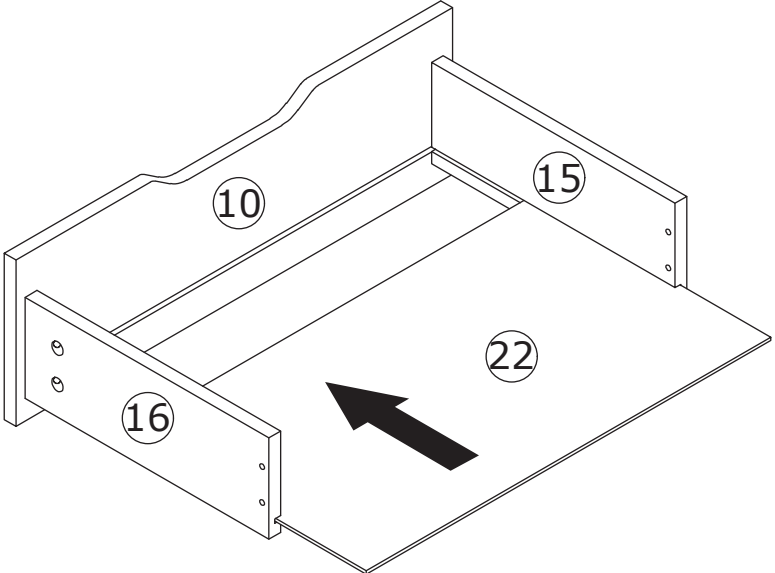
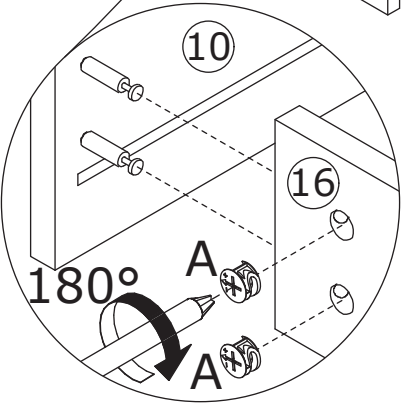
Insert board 21 along available grooves and fix board 19 to board 13 and 14 with screw(C) as shown.



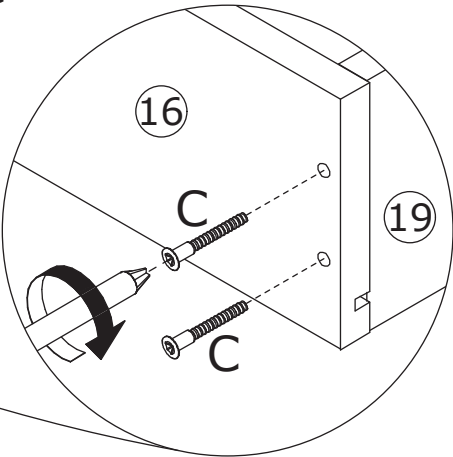
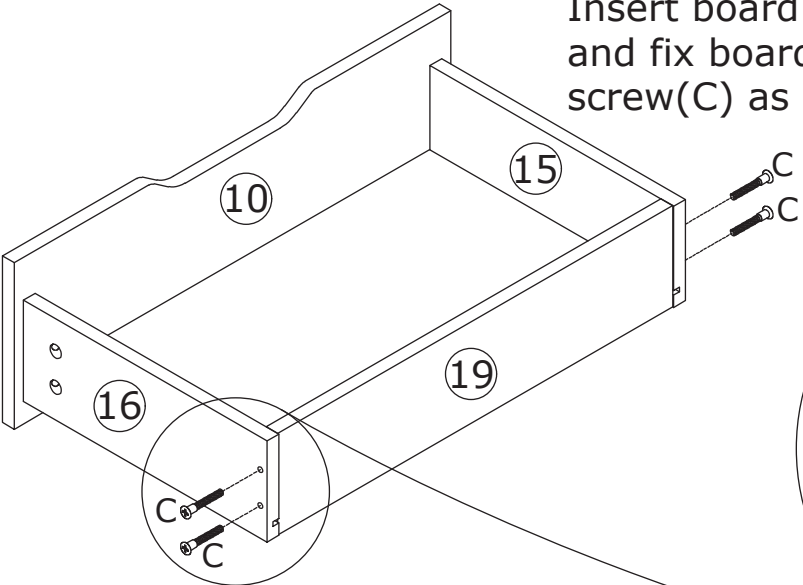
16



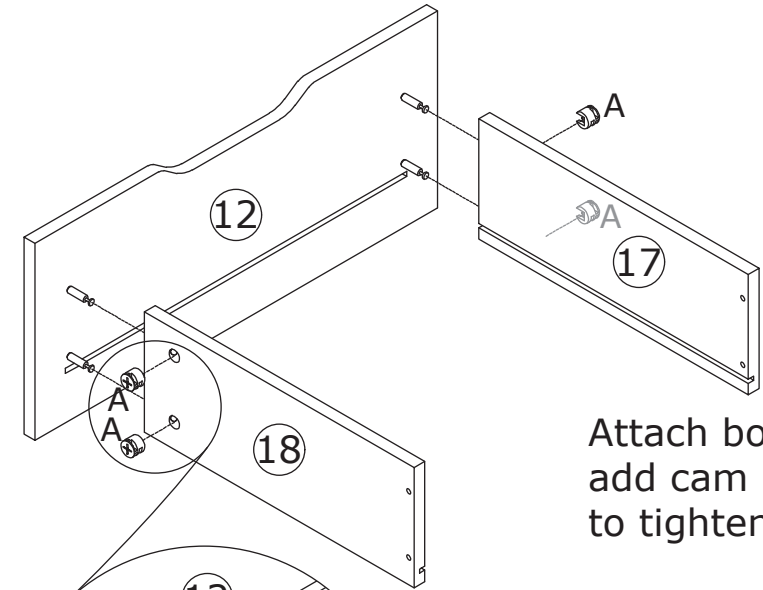
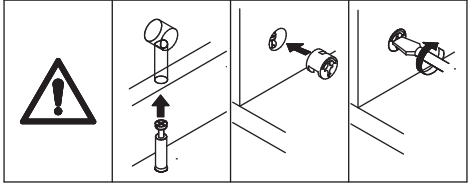
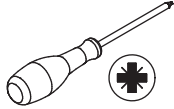
Attach board 15 and 16 to board 10, add cam lock(A) into and turn clockwise to tighten as shown.



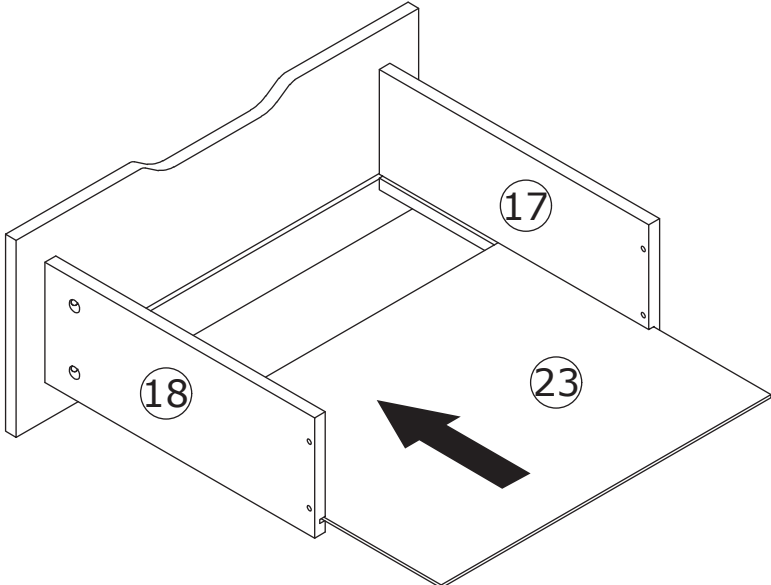
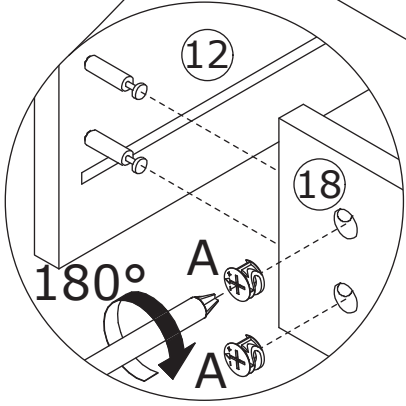
Insert board 22 along available grooves and fix board 19 to board 15 and 16 with screw(C) as shown.



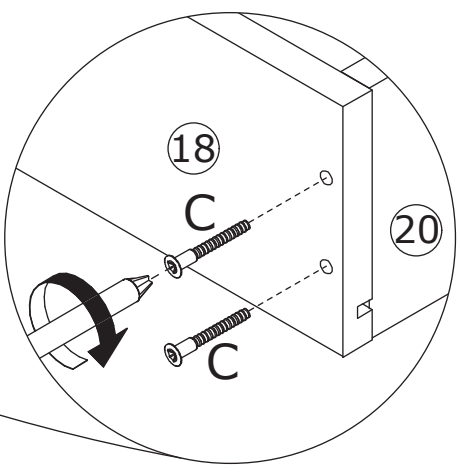
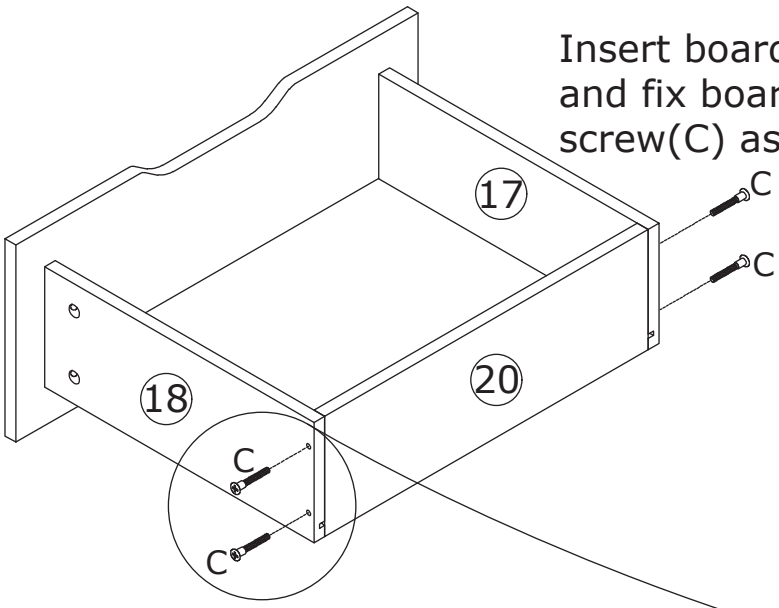
17



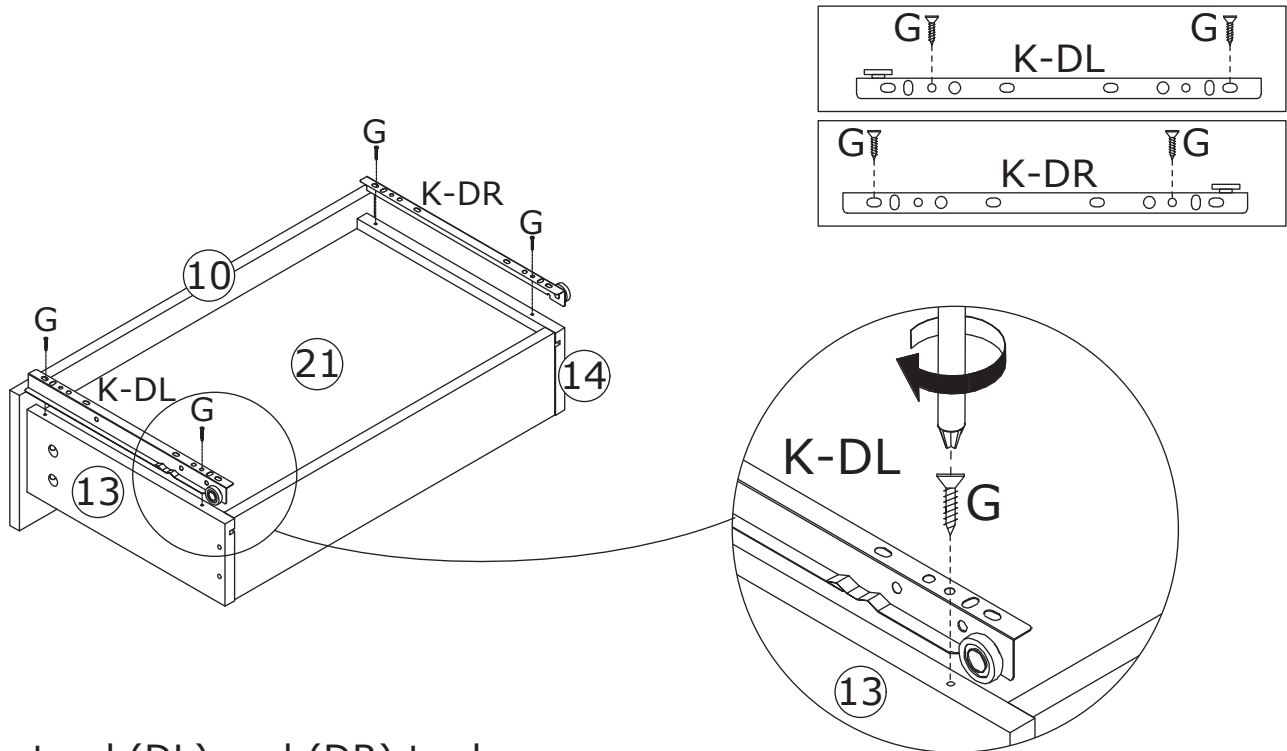
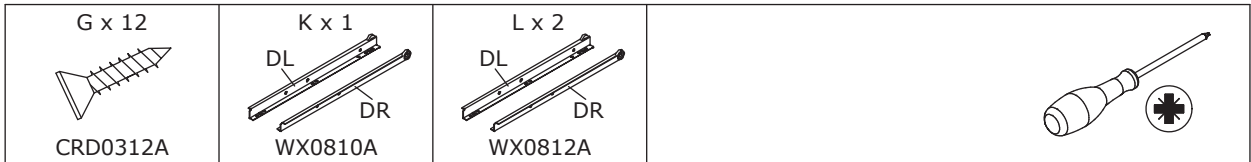
Attach board 17 and 18 to board 12, add cam lock(A) into and turn clockwise to tighten as shown.



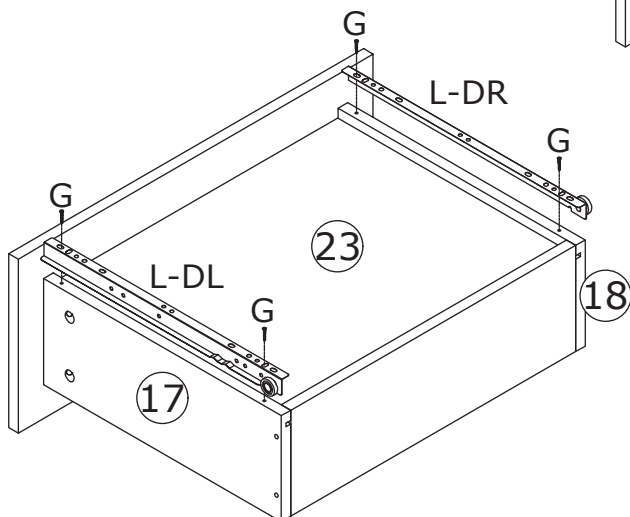
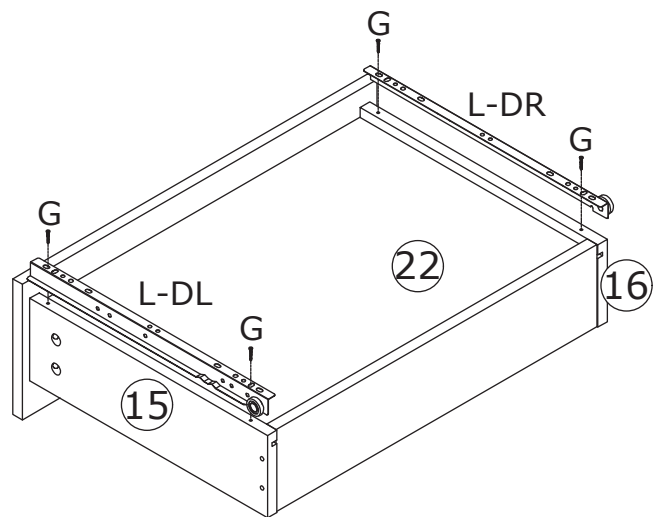
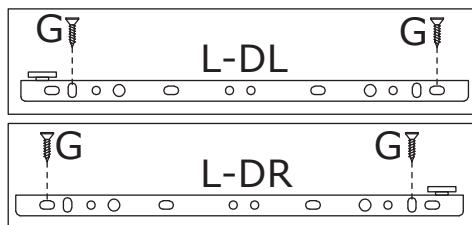
Insert board 23 along available grooves and fix board 20 to board 17 and 18 with screw(C) as shown.



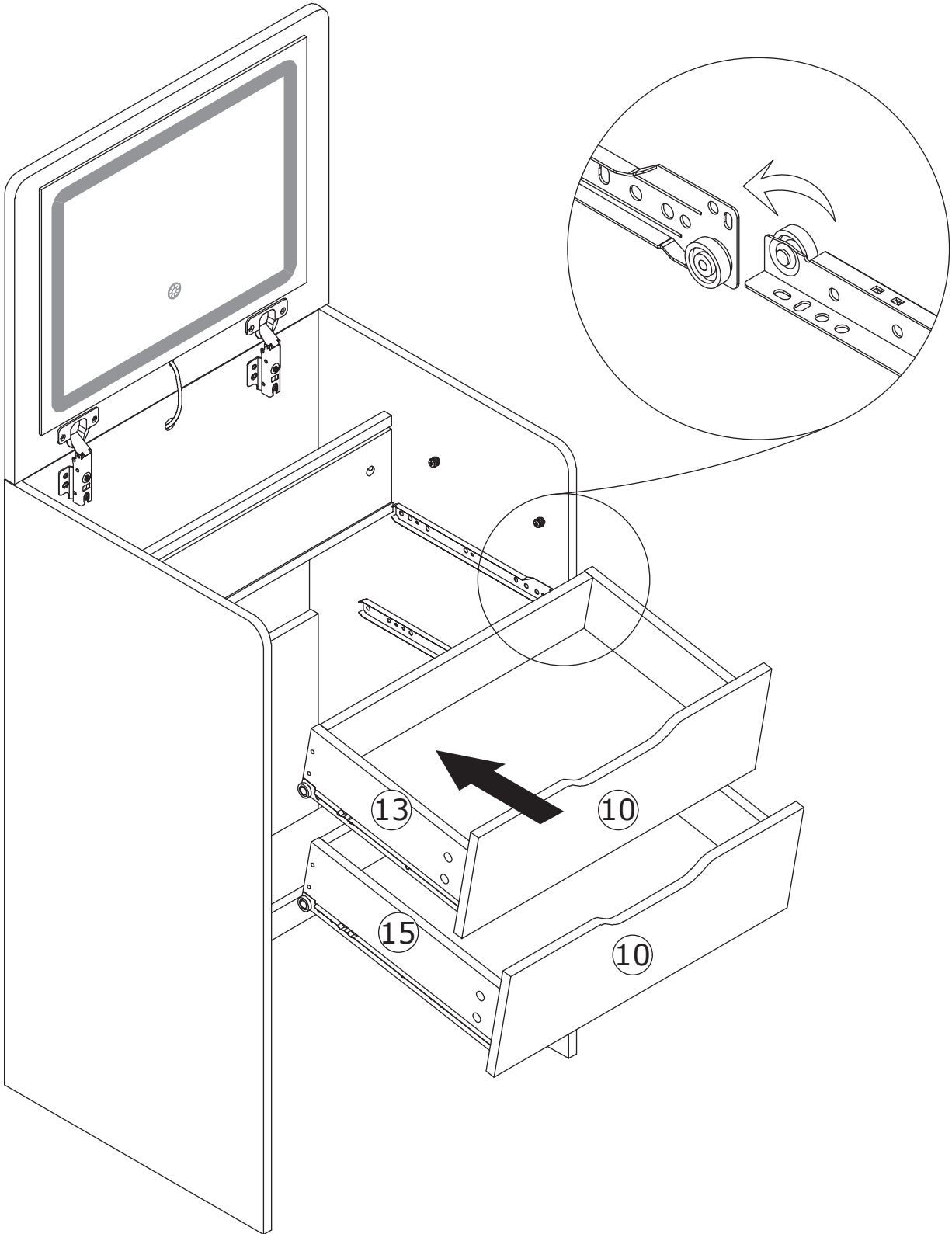
18



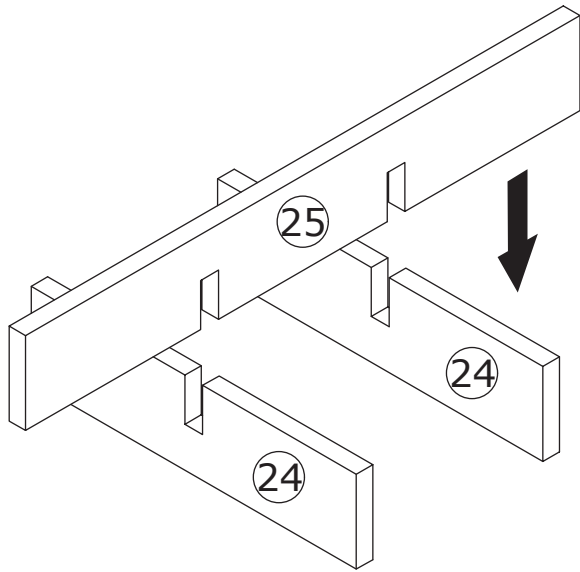
Fix track(DL) and (DR) to drawer side boards with screw(G) as shown.



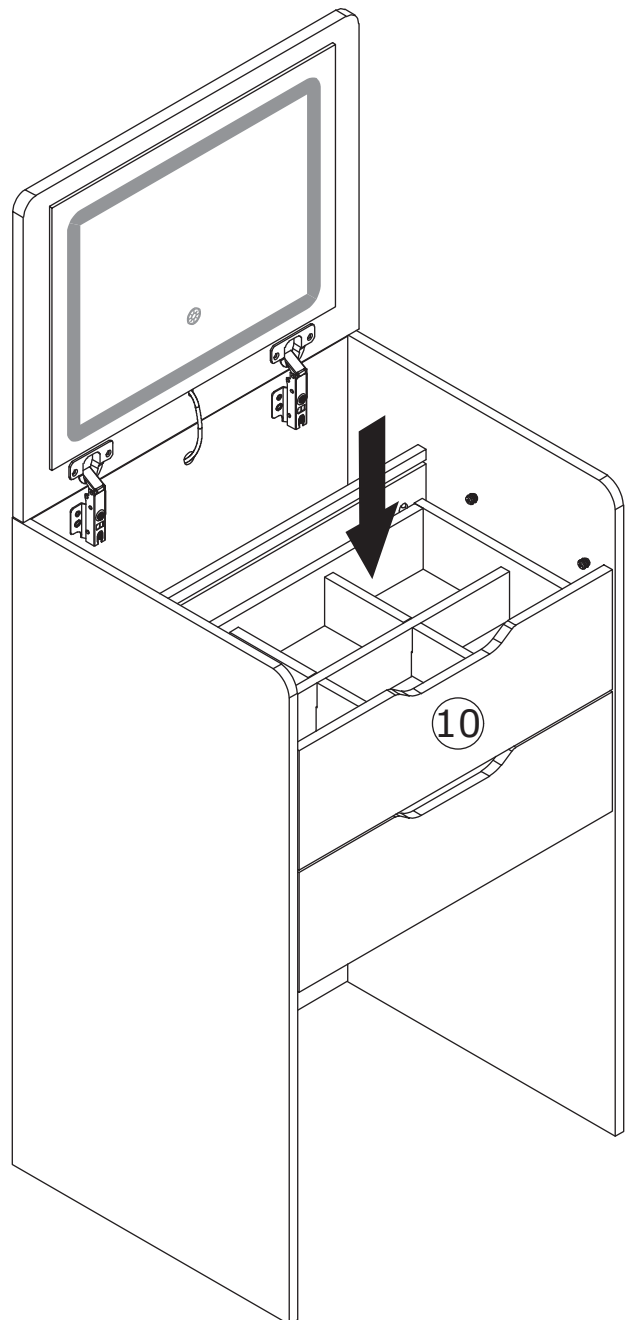
19



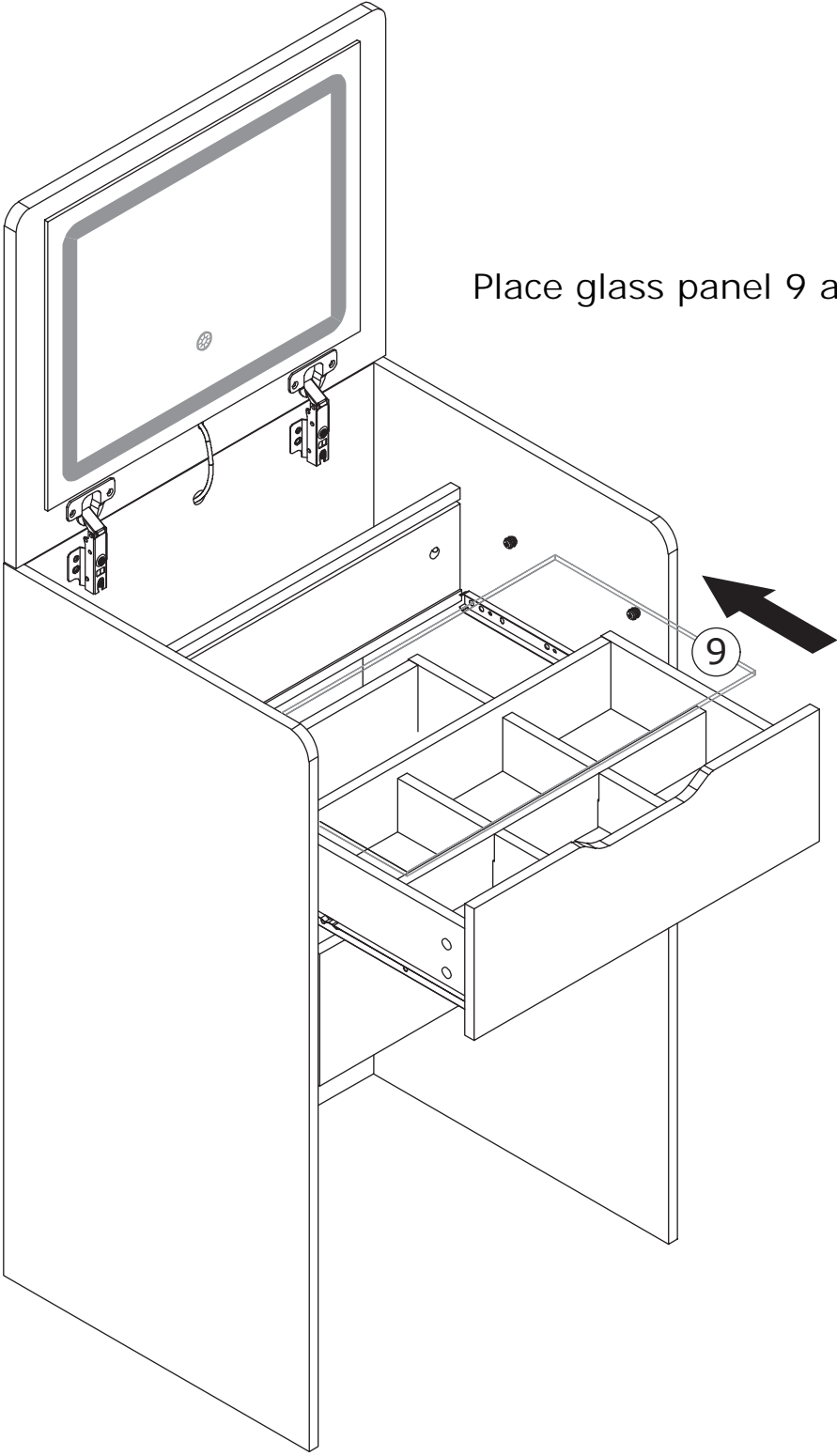
20



Connect board 25 to board 24.

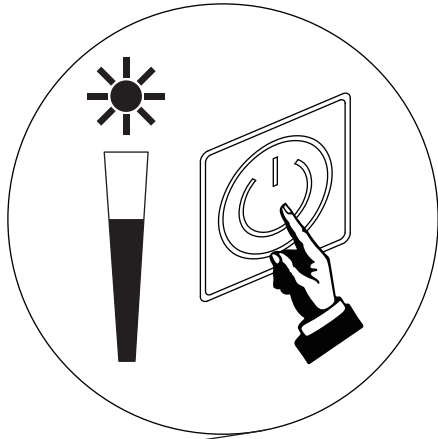
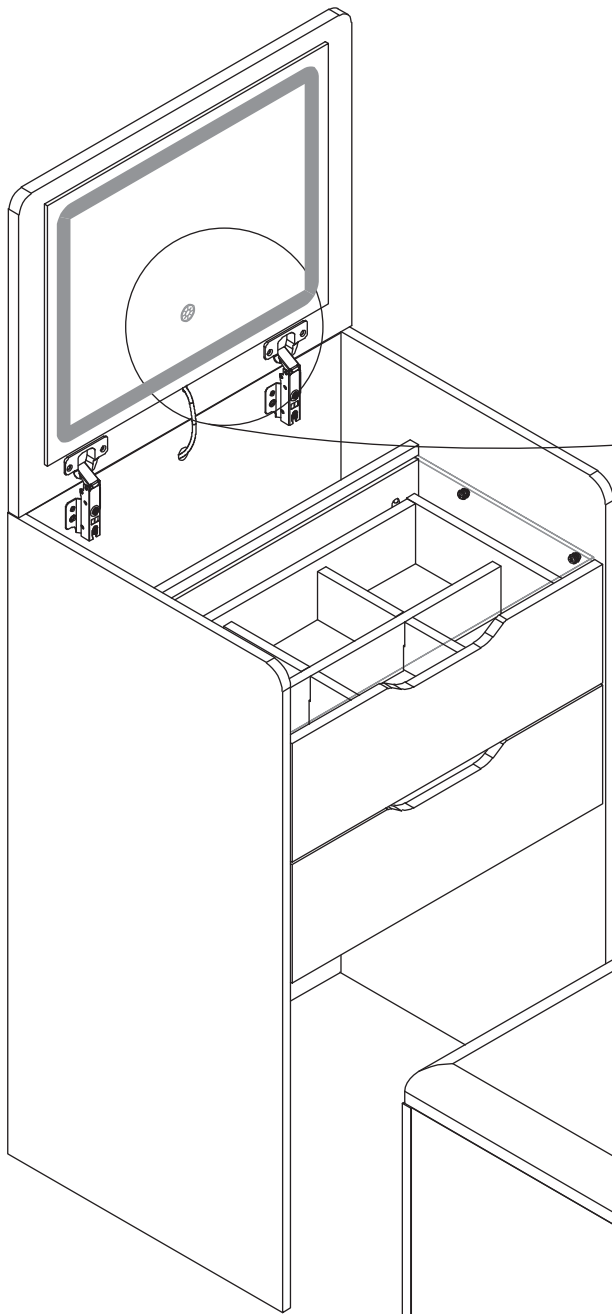


21

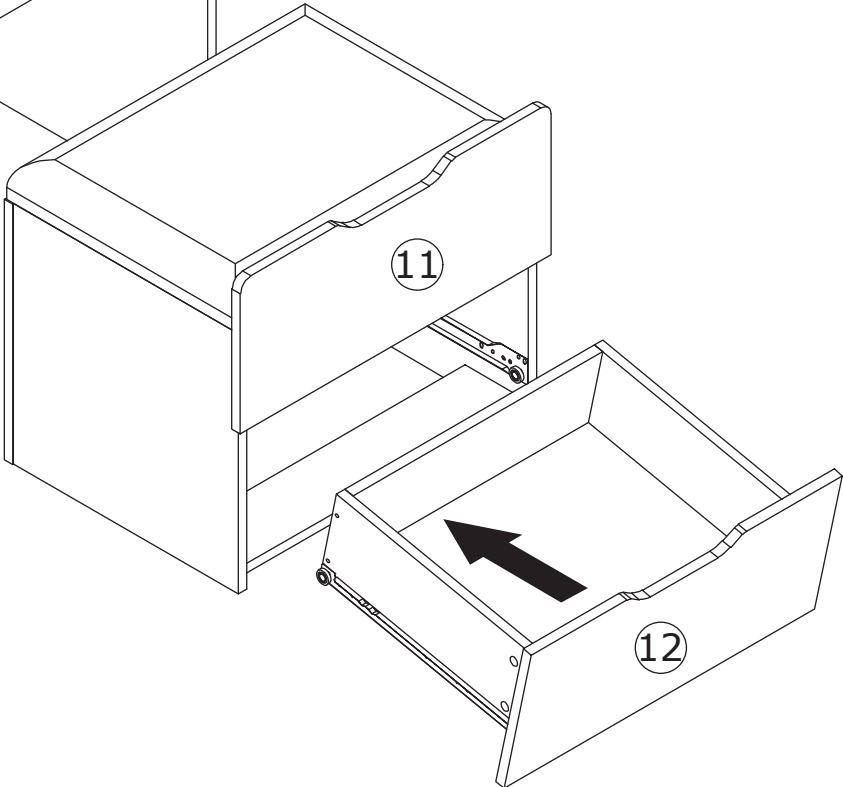


Place glass panel 9 as shown.

22



Touch lightly to change color, press and hold to adjust the brightness.



WARRANTY

WARRANTY CLAIMS

- There is a 30-day warranty for broken furniture or any other problems that do not work properly. The warranty will start from the date of purchase which must be verified by proof of purchase.
- Before making a claim, we may be able to answer your query, simply call us. Please leave your purchase order number, along with some details of the problem, if you want a replacement part. We will arrange within 48 hours. If there is out of stock, we will reply with a shipping date.
- The product must be used in accordance with the instructions provided. For health reasons.
- For other reasons, if the furniture needs to be returned, it must be cleaned and dried and operated within 30 days of receipt.

Type of Warranty Claim

- Failure to follow the furniture instructions will invalidate the warranty. Attention please.
- Does not include damage during installation, but includes damage during transportation.

Scope of responsibility

- Shall not bear any responsibility for misuse or user damage and / or loss of parts during the installation of furniture.
- After using, the damage and scratches of the furniture are not covered by the warranty.

The Warranty Relates to All Bought in The Us and Covers The Following Areas

- Sheet parts: 1 month from the date of purchase.
- Electrical parts: 1 month from the date of purchase.