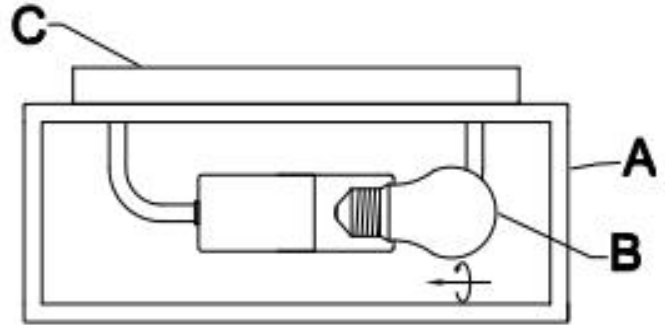


Installation

Step 1:

Unpack all parts from cartons carefully.
Thread light bulb(B) into lamp body (A)



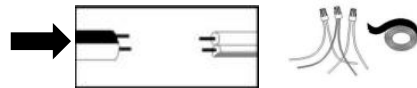
**PLEASE USE TYPE "A" BULB MAX 60W OR CFL
BULB MAX 13-WATT OR LED BULB MAX 9WATT**

THERE ARE 2 PCS LED BULB IN THE BOX

Step 3 Wire connection

Connect, Hot, Black or Red outlet Supply Wire to:	Connect, Neutral, White Outlet Supply Wire to: Black White
Black	White
*Parallel Cord(round&smooth)	*Parallel Cord(square&ridged)
Clear, Brown, Gold or Black without Tracer(colored stripes)	Clear, Brwn, Gold or Black without Tracer(colored stripes)
Insulated Wire(not green)with copper metal conductor	Insulated Wire(not green)with Silver metal conductor

*Note: When parallel wire(SPTI&SPTII)is used. The neutral wire is square shaped and ridged and the hot wire will be round in shape and smooth. (Like the one on the

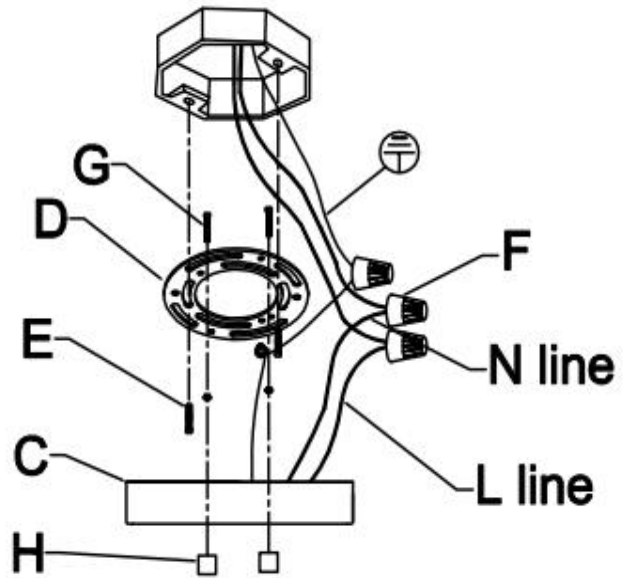


Grounding Instructions:

- For installation in the United States: Wrap ground wire from outlet box around green ground screw on mounting bracket, no less than 2" from wire end. Tighten ground screw. If fixture is supplied with a ground wire, connect to outlet ground wire with a wire connector.
- For installation in Canada: If fixture is supplied with ground wire, wrap ground wire around green grounding screw on mounting bracket. Tighten ground screw.

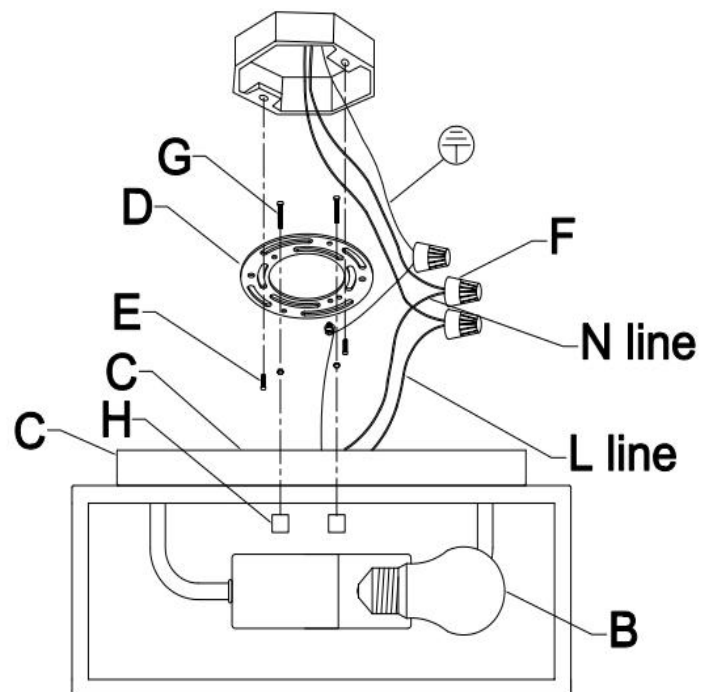
Step 4:

Install the mounting plate(D)
to the junction box with 2
Mounting screws(E)



Step 5:

Attach the Canopy(C) to the
junction box and fix it by turning
the Nut(H) clockwise



Step 6:

Consult a qualified electrician to
ensure correct branch circuit
conductor.
ENJOY YOUR LAMP