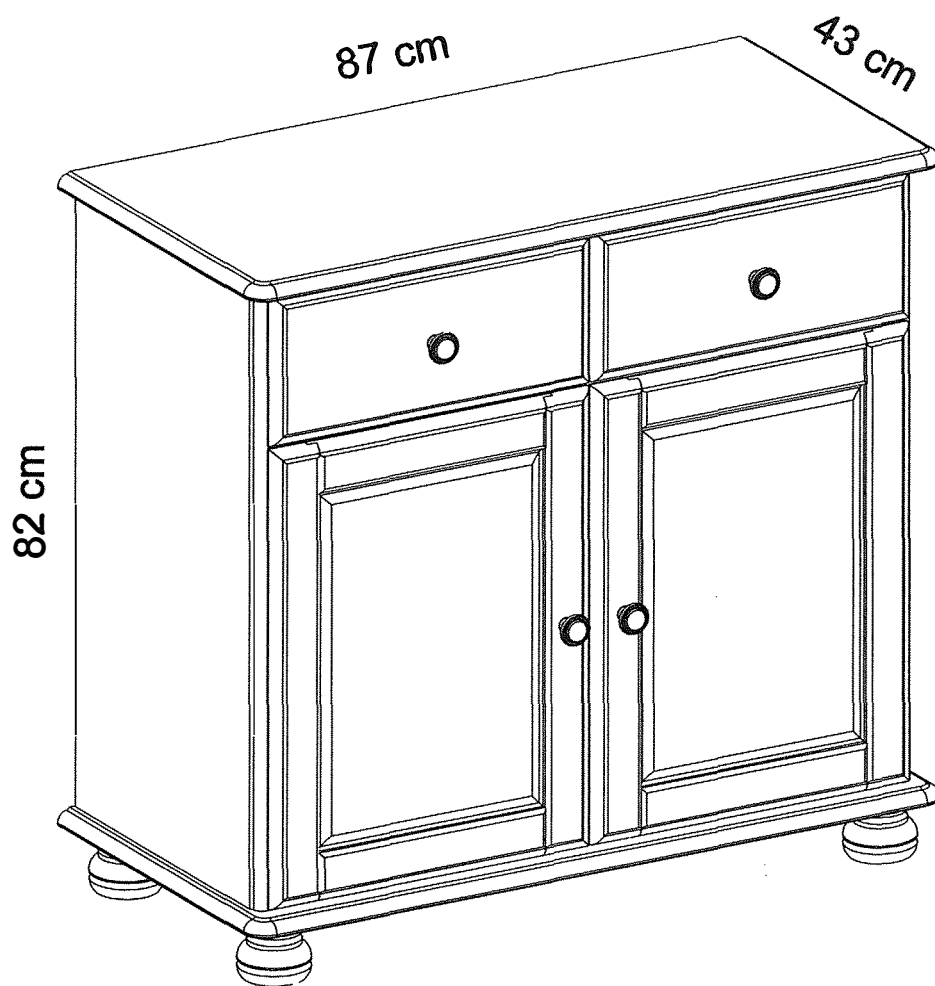
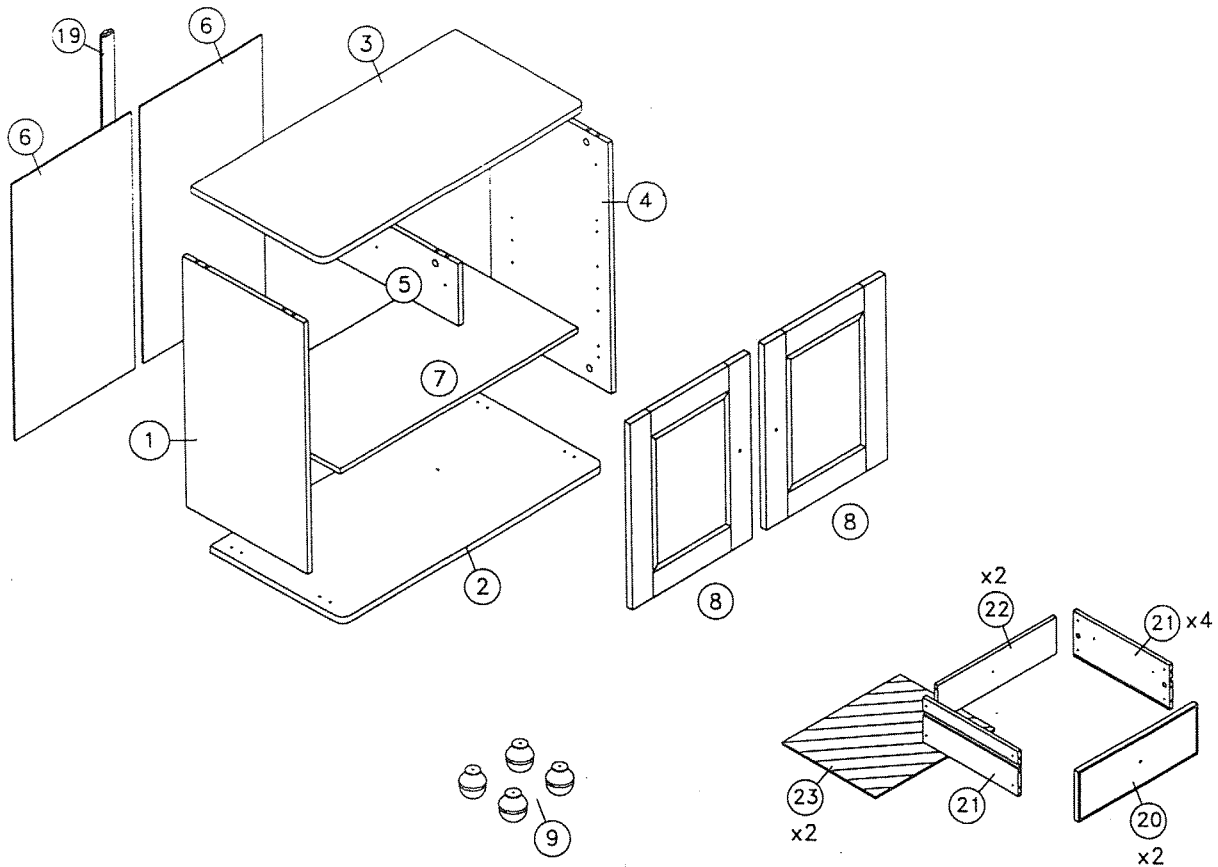


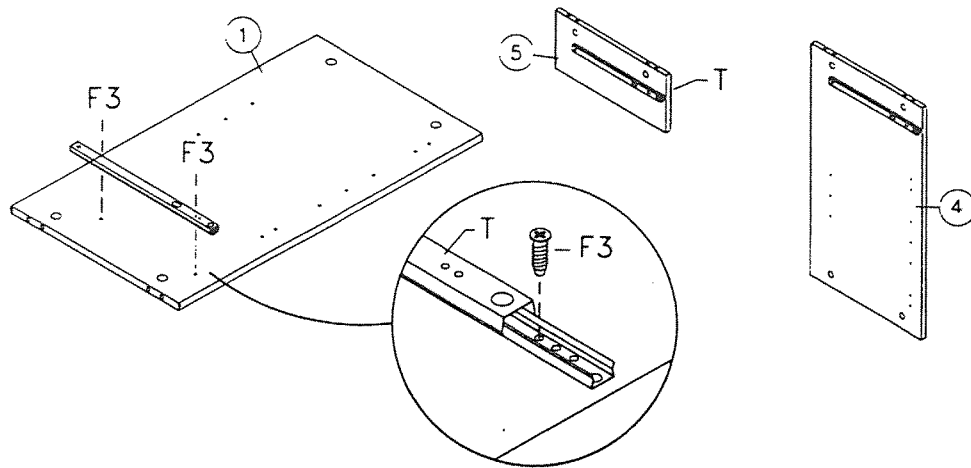
## Installation & Assembly



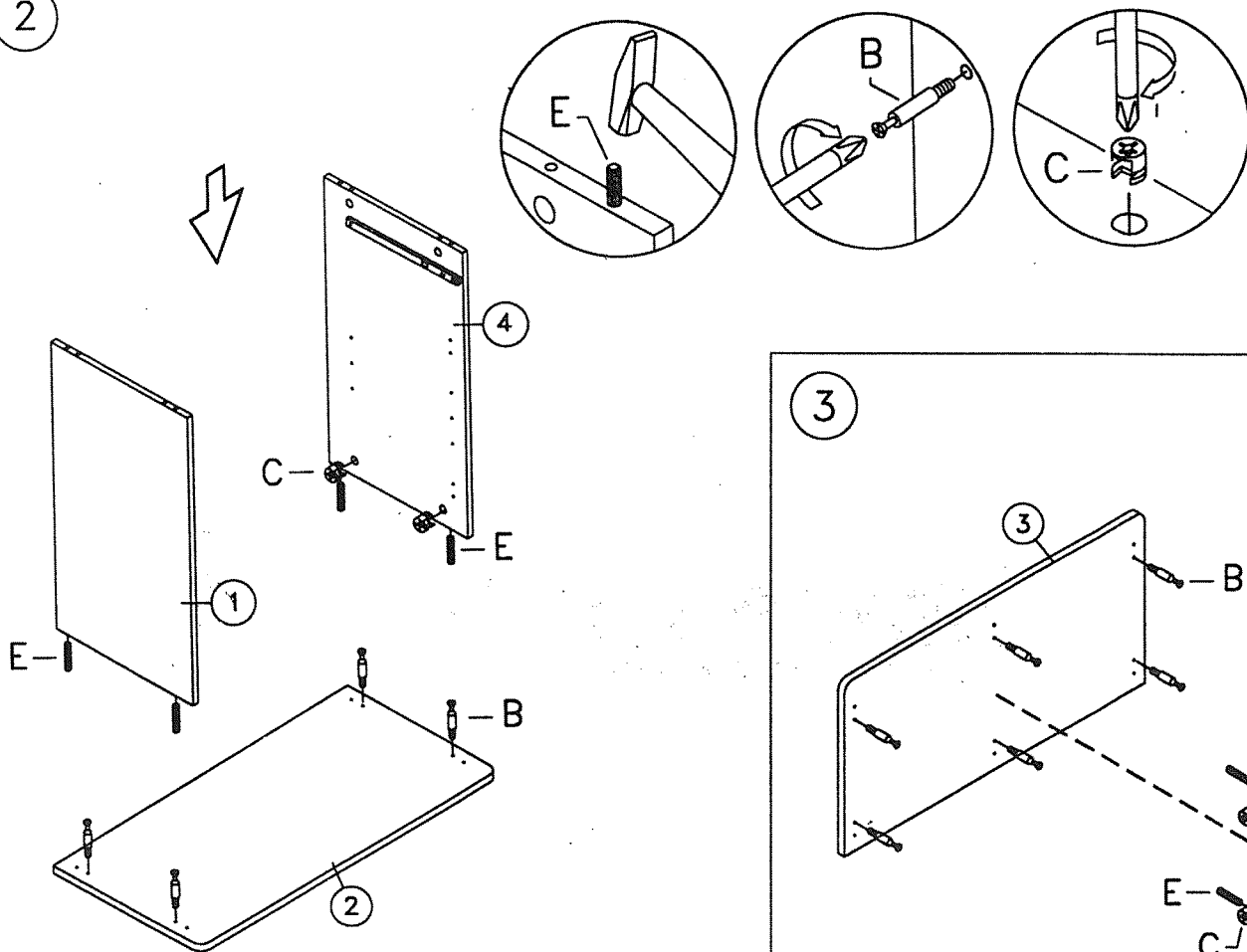


Code	Description	Qty.	Code	Description	Qty.
A	CAM, 10x11	4	L	SCREW, (HINGES)	8
B	CAM STUD, 5x34	10	L8	SCREW, (FEET)	4
C	CAM, 15x12	10	M3	HINGES	4
D	CAM STUD, 5x16,5	4	N1	HINGES	4
E	DOWEL	18	O	SCREW, (RUNNER)	4
F3	SCREW (RUNNERS)	8	S1	PANEL PIN SCREW	25
G2	ASSEMBLY SCREW	8	T	RUNNER, PAIR	2
H	SHELF SUPPORT	4	U	ALLEN KEY	1
J8	HANDLE	4	V	SCREW, (HANDLE)	4

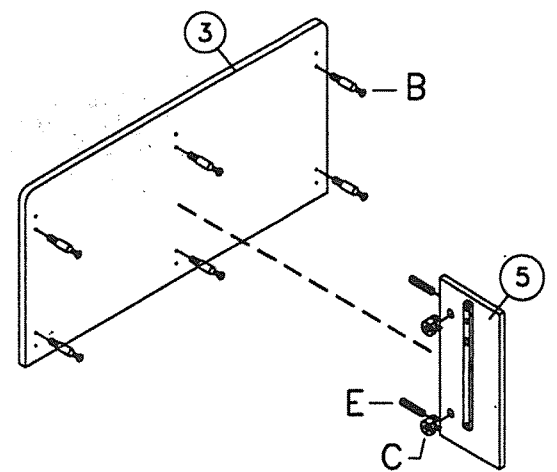
1



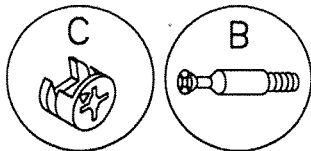
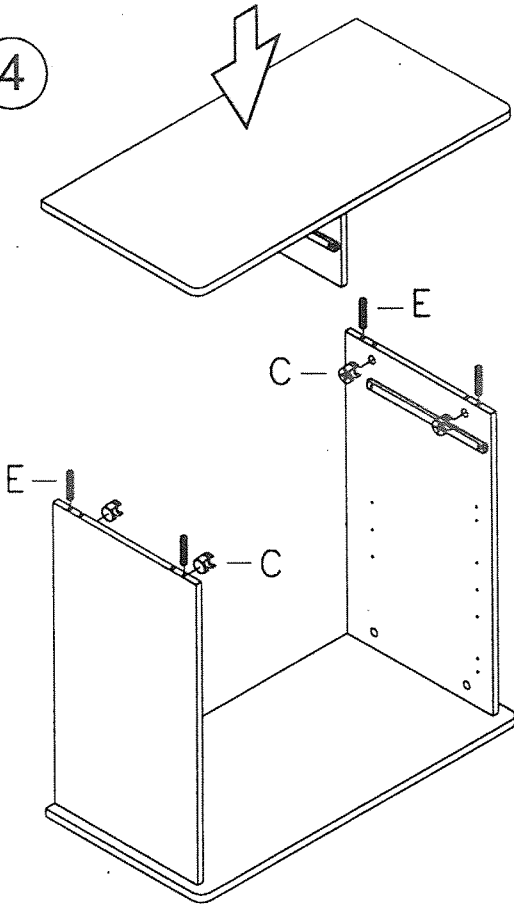
2



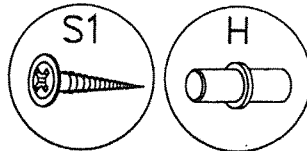
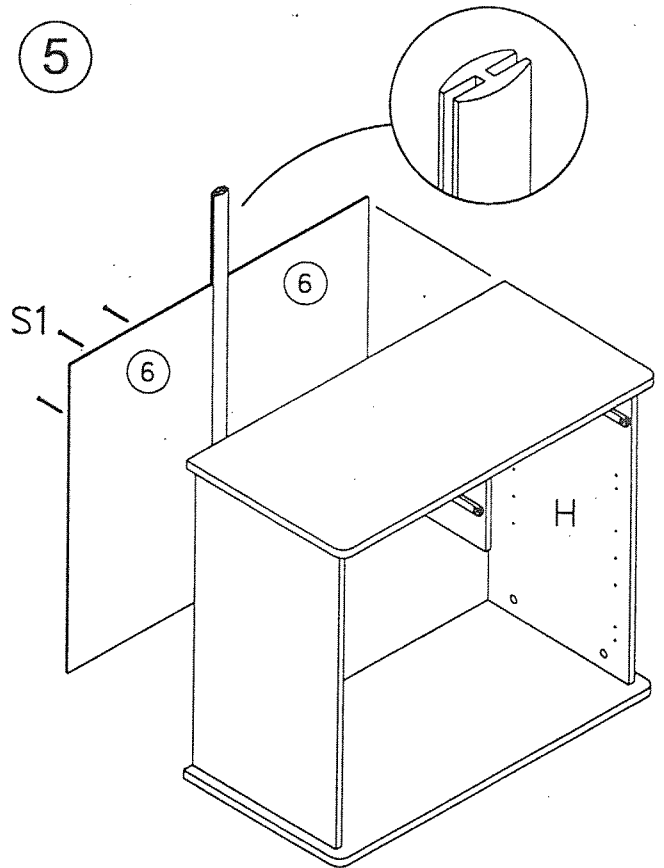
3



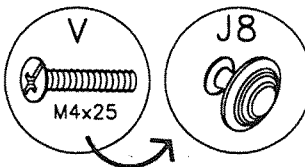
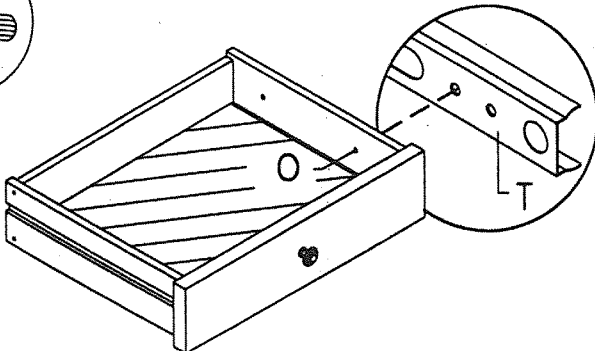
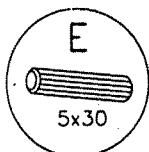
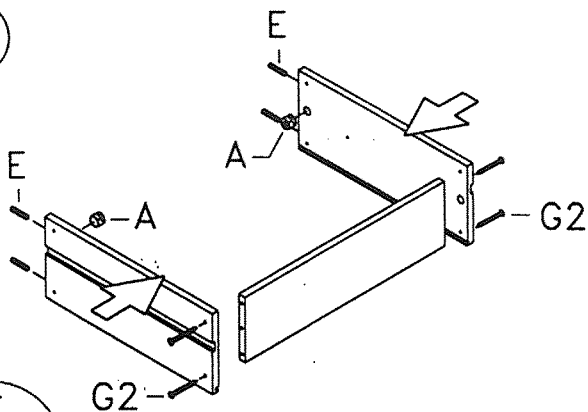
4



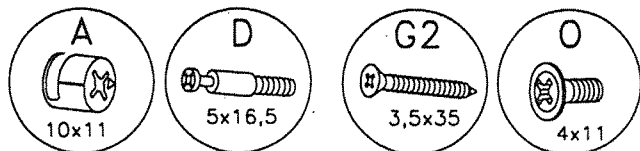
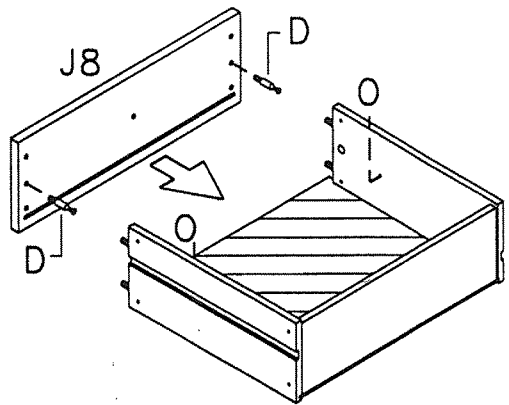
5



A



B



6

