

Dining Table

Product ID. 7A2LF



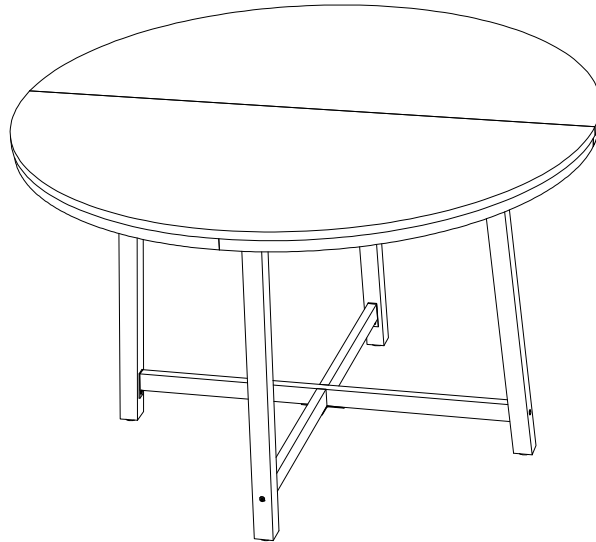
Scan for Support
support@garvee.com



Distributed by
GARVEE.com

V260422CXWH

Assembly Instruction



Trouble shooting:

Missing / Wrong / Broken parts and installation issues



Send email with your question pic, order NO. and screenshot of order details to:

support@garvee.com



Respond within 24 hours



Issue resolved

**THIS INSTRUCTION BOOKLET CONTAINS IMPORTANT SAFETY INFORMATION.
PLEASE READ AND KEEP FOR FUTURE REFERENCE.**



- 1. Check all the components & screws are intact before assembling .**
- 2. If you notice any pieces are missing or damaged please do not assemble and contact us immediately .**
- 3. Please send an email with you order number and issues,we will respond within 24 hours.**

Customer Service Team :support@garvee.com

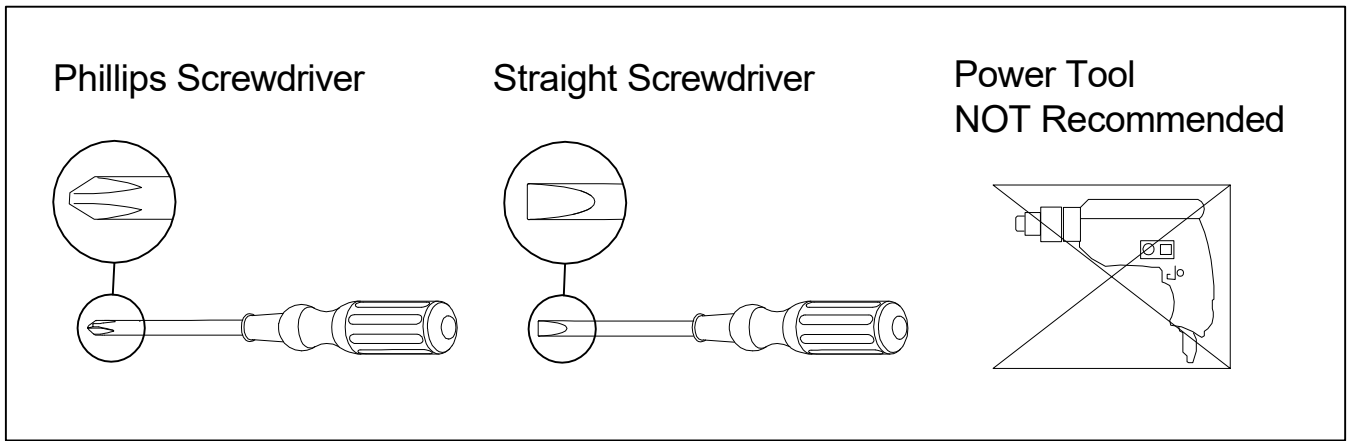
Two people are needed



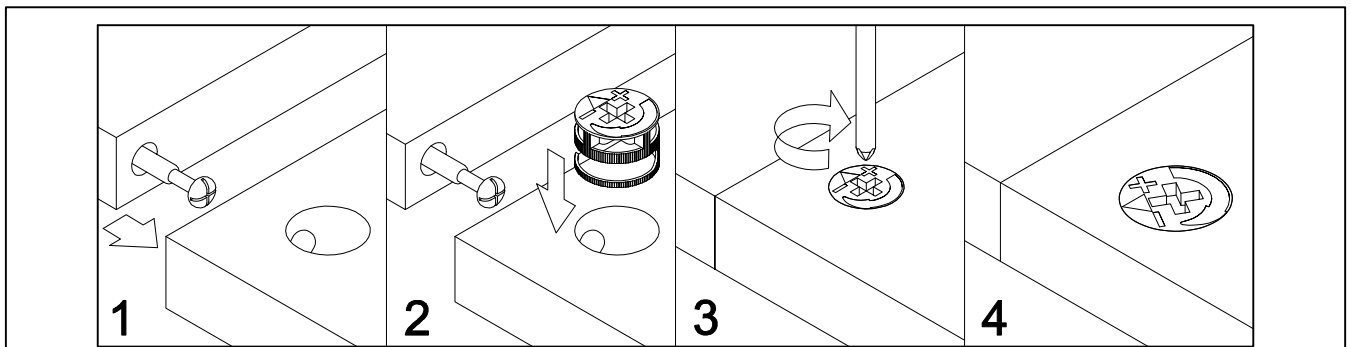
IMPORTANT SAFETY INFORMATION

- **Please carefully read the following instructions and caution warnings before assembling the product.**
- **Following this guide will ensure that you install, use and maintain the product properly.**
- **Please keep this installation and user manual/instructions for future reference in case you need to disassemble the product.**
- **Never allow children to climb onto the product. Ensure that you have special safety measures when children are around on their own.**
- **Be sure to check that all parts of the product are intact after you open the package.**
- **Do not assemble if you notice serious damage such as cracks or bends.**
- **During installation, please use work gloves for hand safety.**
- **Please assemble the unit on carpeted floor or the flat cardboard box to avoid scratching the surface or your floor while assembling on the floor.**
- **To assemble, please use the complimentary installation tools (Phillips screwdriver).**
Pay more attention to the direction of components at each step .
- **Check the stability of the bolts, tighten them up after one or more months whenever required.**
- **It is recommended that two people work together to assemble the product.**

Tools required (Please prepare by yourself before installing)

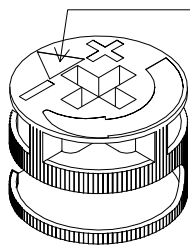


To ensure proper assembly, please read the following guides:



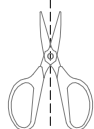
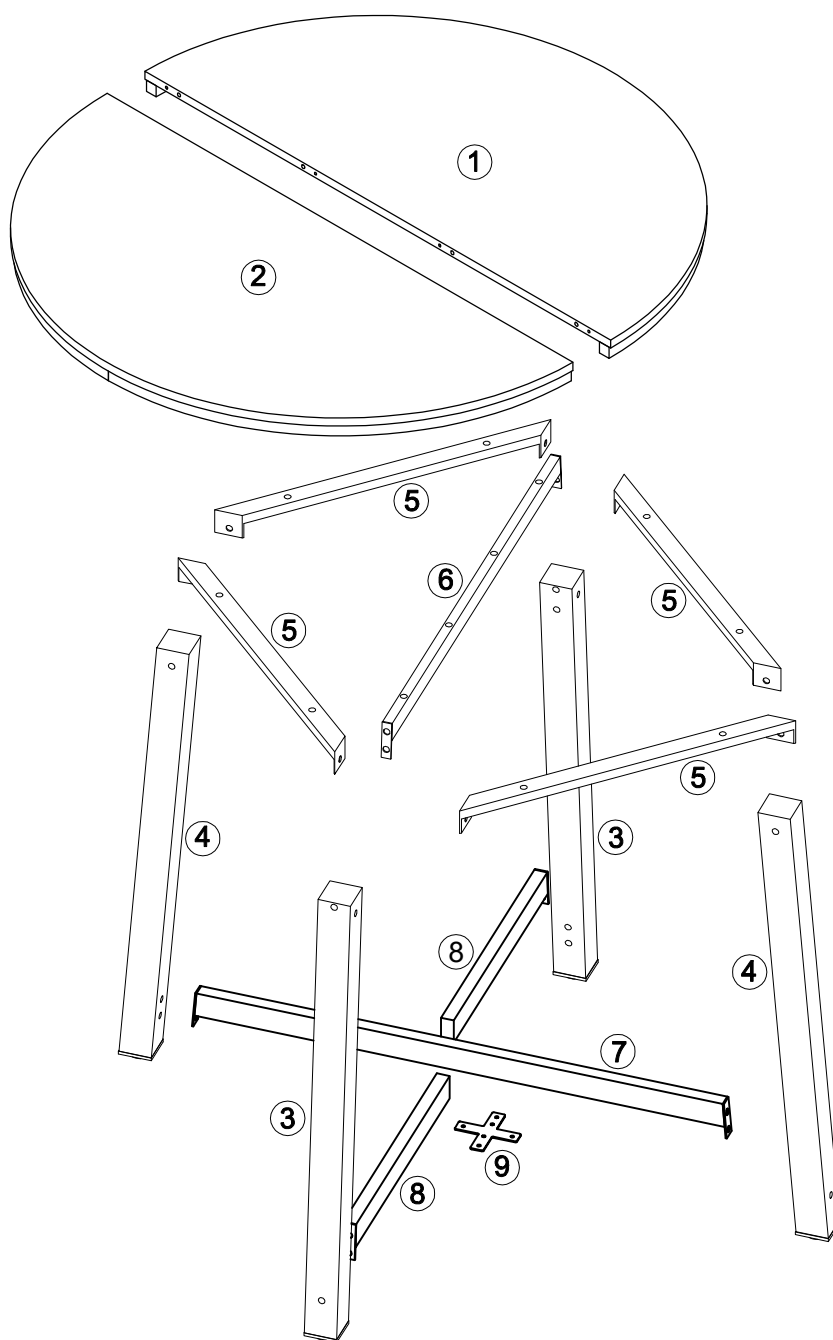
Reference this guide when assembling all Cam Locks.

Do NOT Overturn.

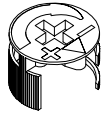

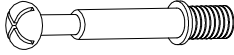

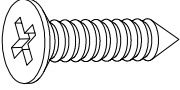
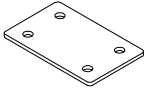
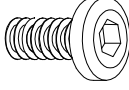






Notice:
"Pointer Arrow" on cam face the Bolt
when inserting the cam.

Part Nr.	Qty	Part Nr.	Qty	Part Nr.	Qty
1	1pc	2	1pc	3	2pcs
4	2pcs	5	4pcs	6	1pc
7	1pc	8	2pcs	9	1pc

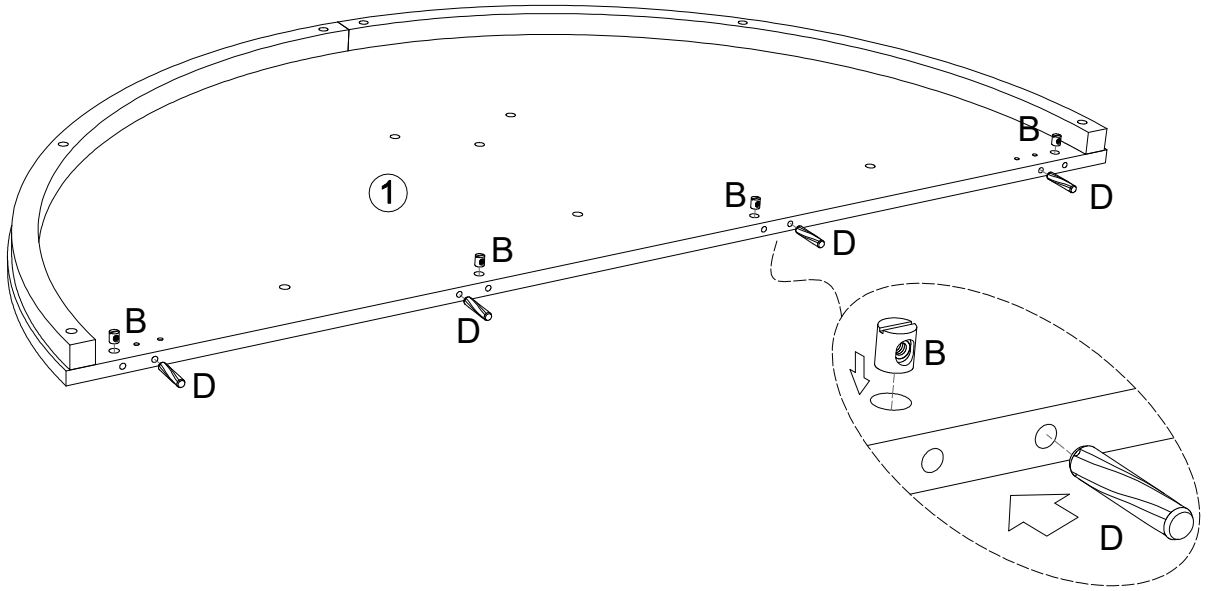


Please cut if you need, but keep for the future use after assembling

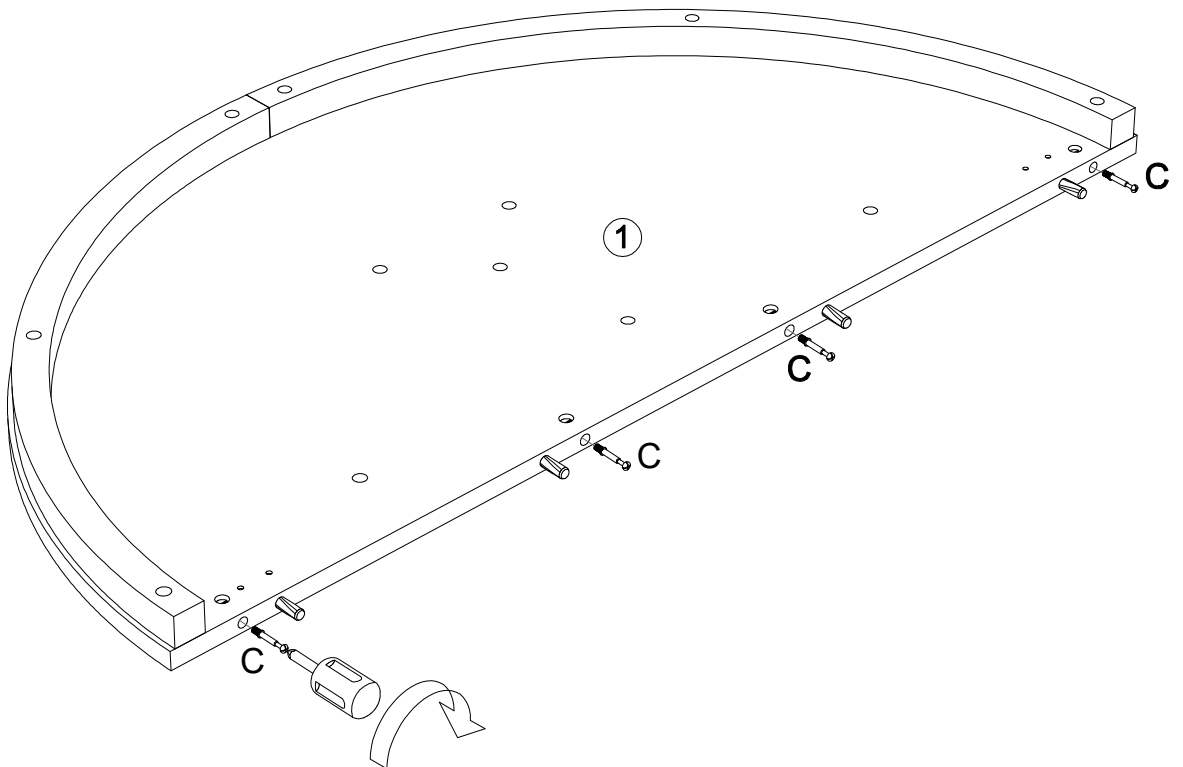
<p>A x 4</p>  <p>Ø15x10mm</p>	<p>B x 4</p>  <p>Ø9x10mm</p>	<p>C x 4</p>  <p>Ø6x40mm</p>	<p>D x 4</p>  <p>Ø6x30mm</p>
<p>E x 8+1</p>  <p>M3.5x14mm</p>	<p>F x 2</p>  <p>60X38mm</p>	<p>G x 20+2</p>  <p>1/4 "x12mm</p>	<p>H x 6</p>  <p>1/4 "x60mm</p>
<p>I x 1</p>  <p>M4</p>	<p>J x 4</p>  <p>1/4 "x40mm</p>	<p>K x 8</p>  <p>1/4 "x25mm</p>	

PRODUCT ASSEMBLY

1

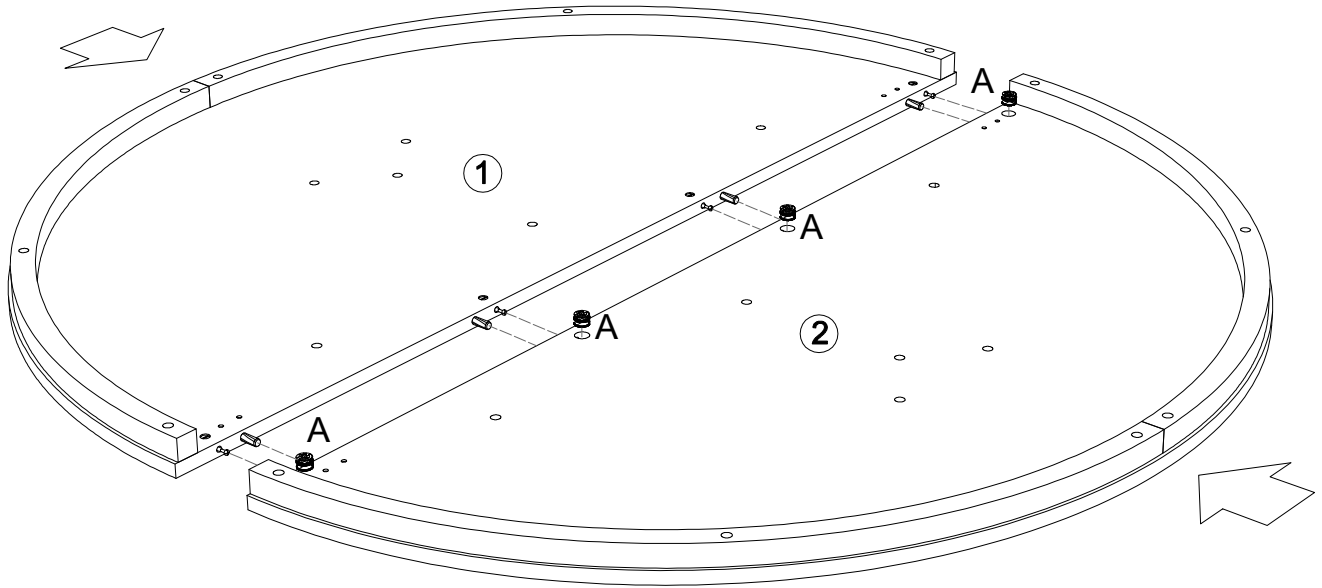
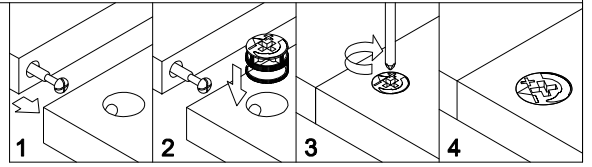
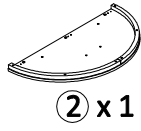


2

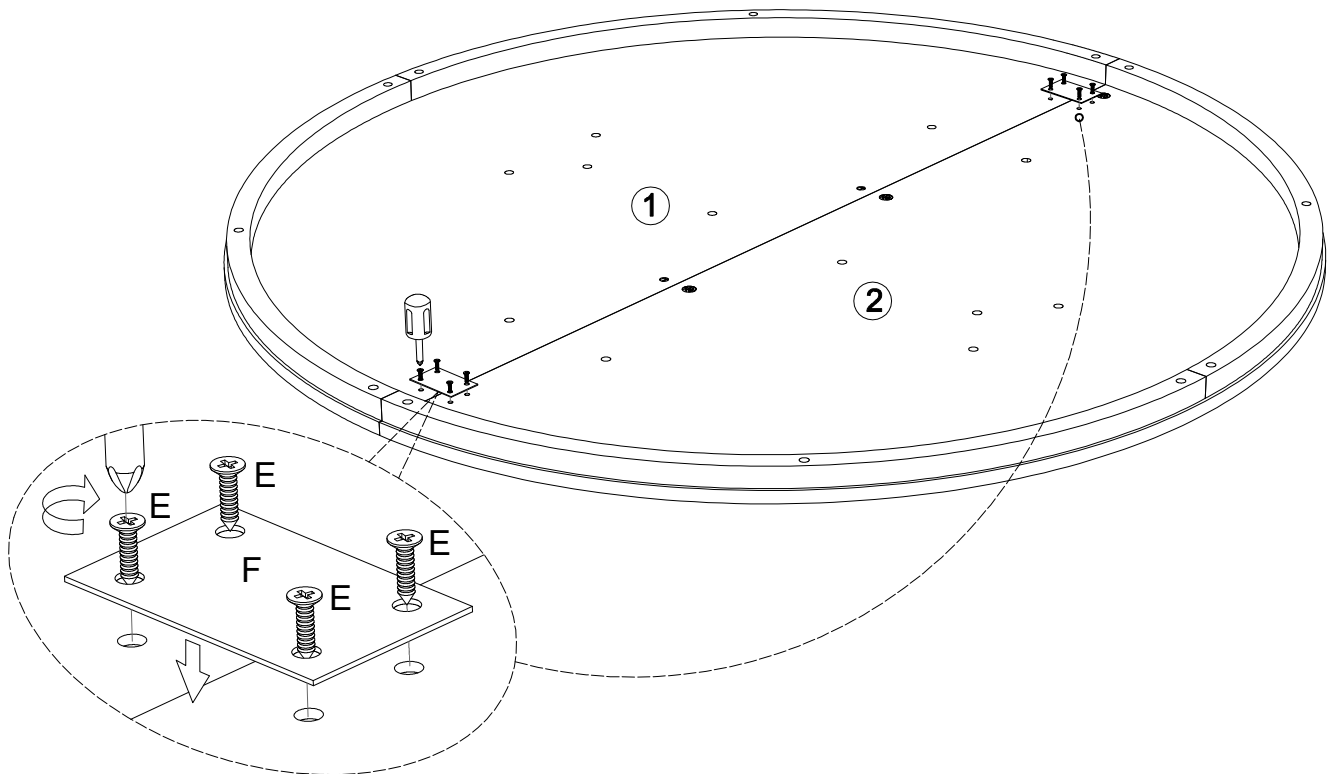
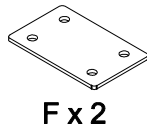
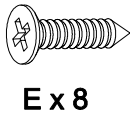


PRODUCT ASSEMBLY

3

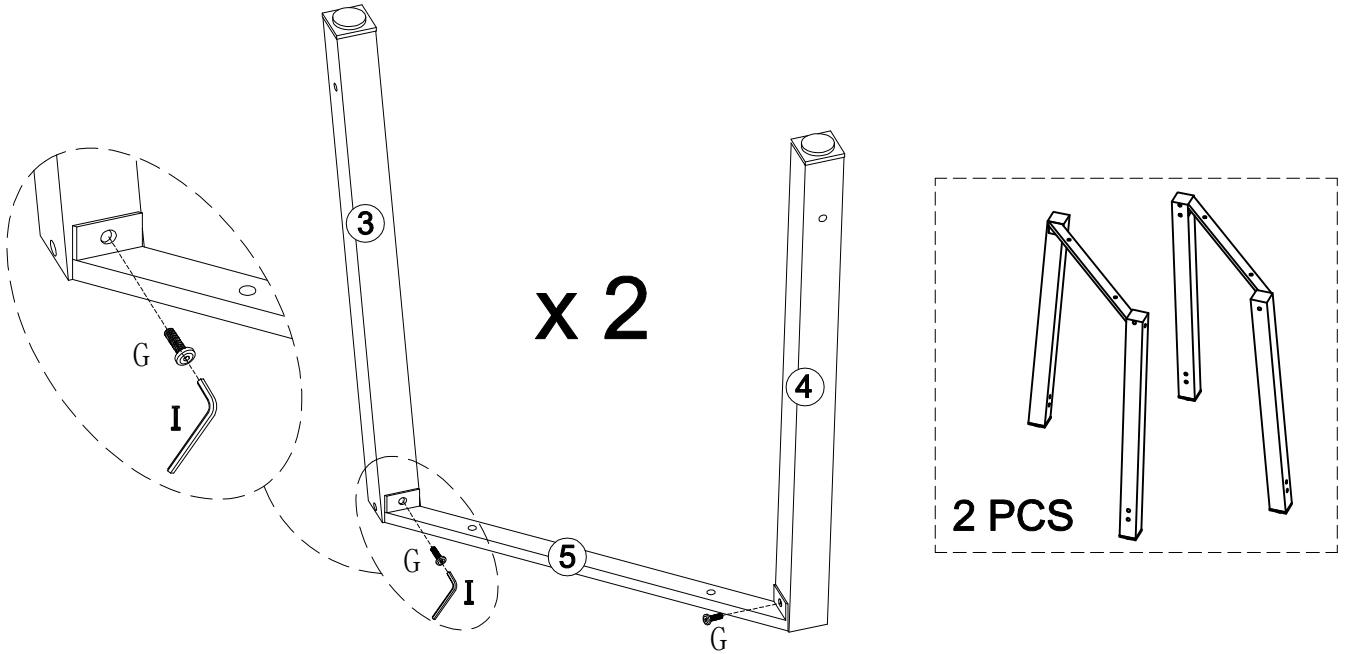
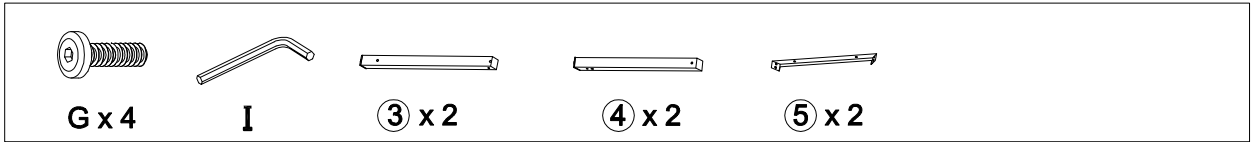


4



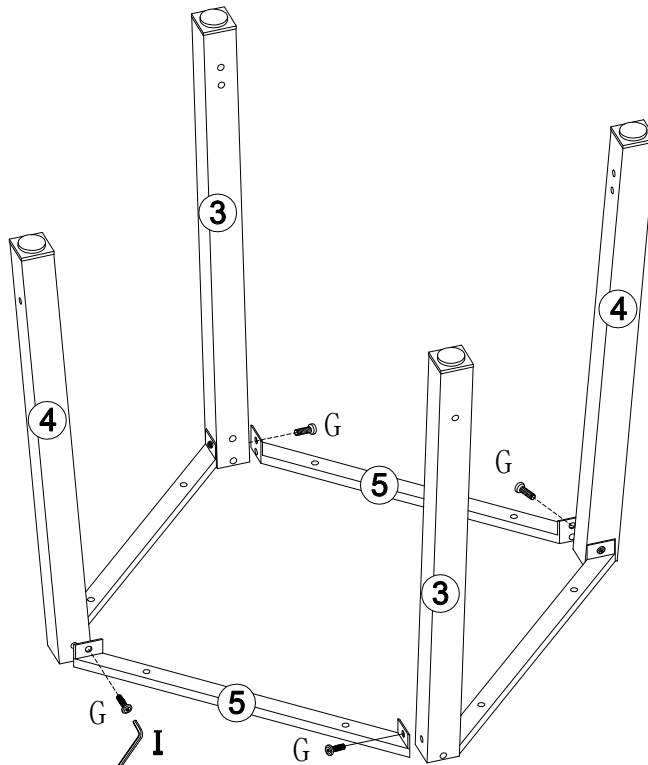
PRODUCT ASSEMBLY

5



DO NOT FULLY TIGHTEN SCREWS UNTIL THE END OF STEP 10

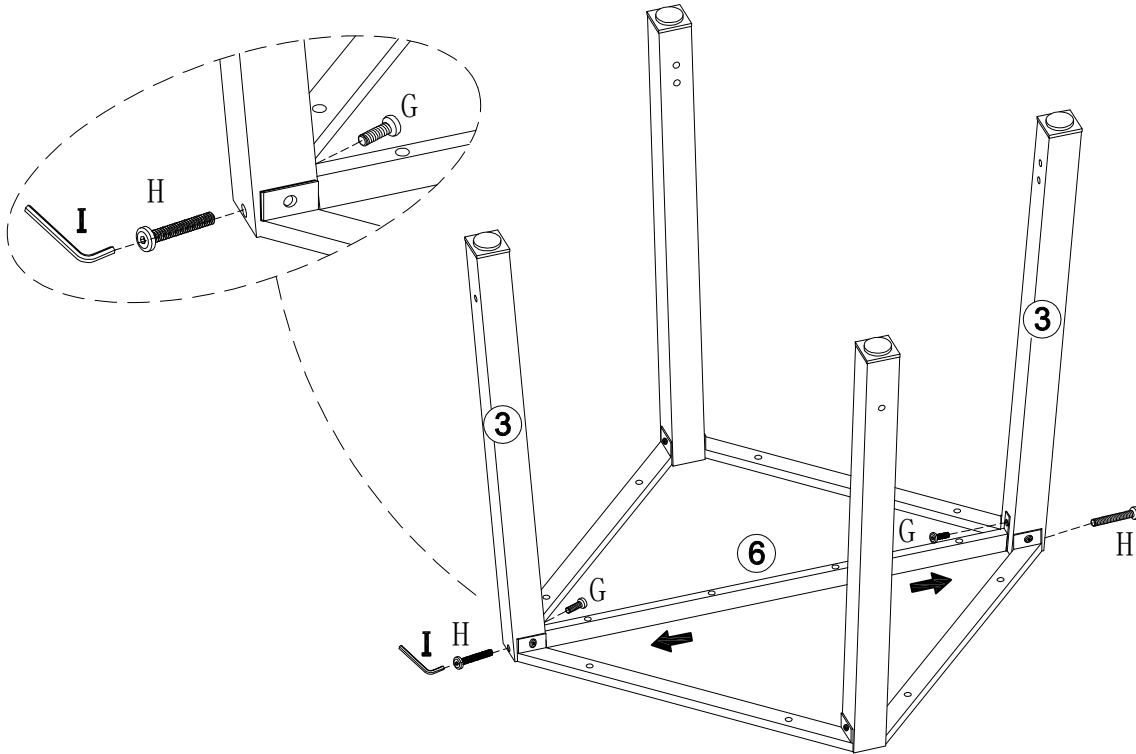
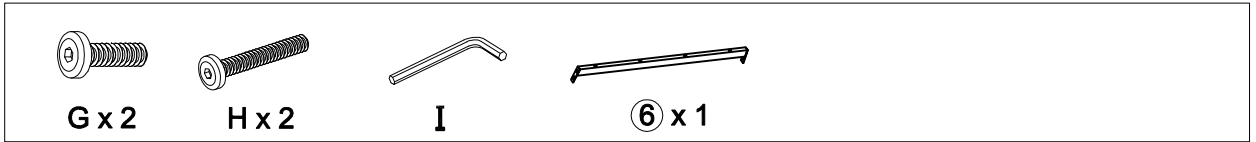
6



DO NOT FULLY TIGHTEN SCREWS UNTIL THE END OF STEP 10

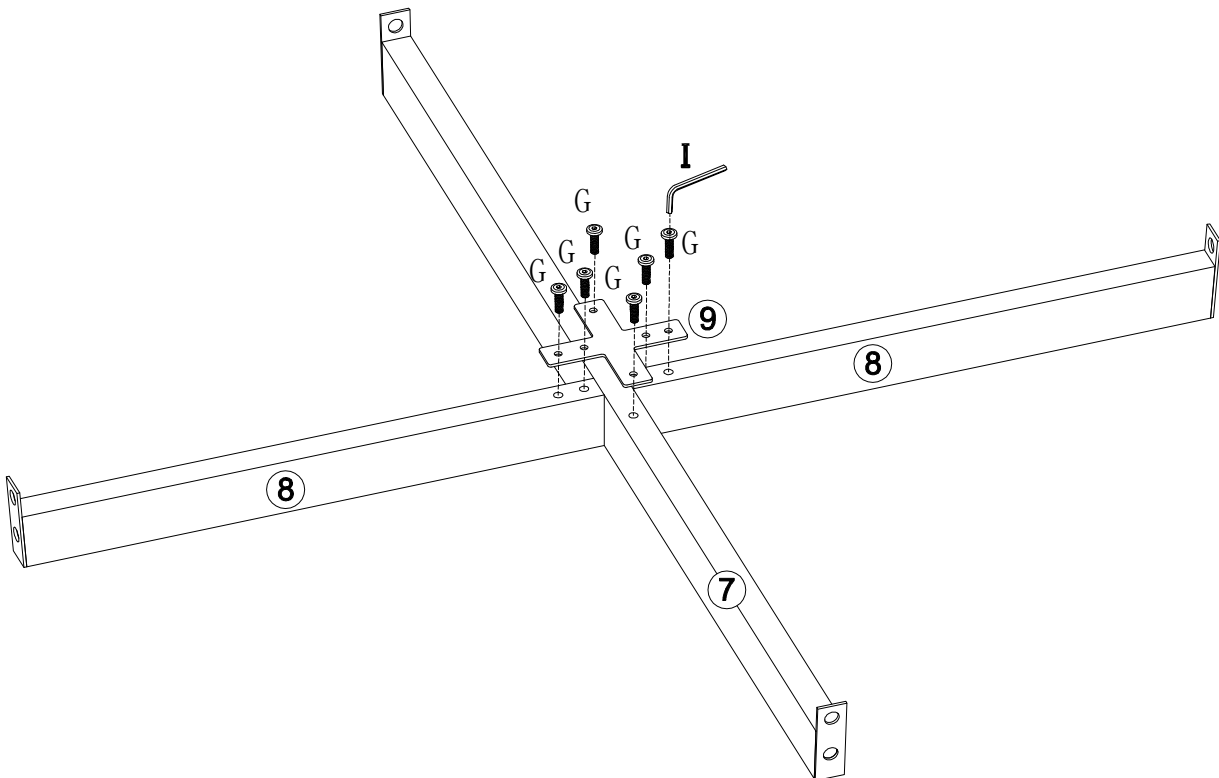
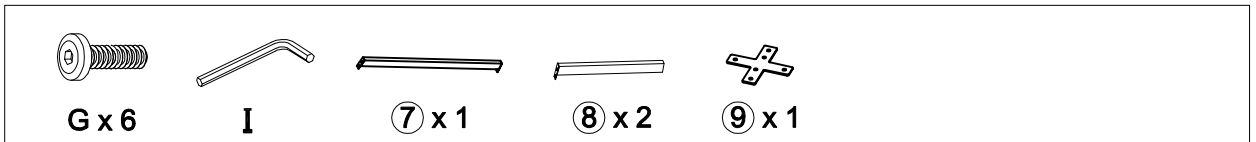
PRODUCT ASSEMBLY

7



DO NOT FULLY TIGHTEN SCREWS UNTIL THE END OF STEP 10

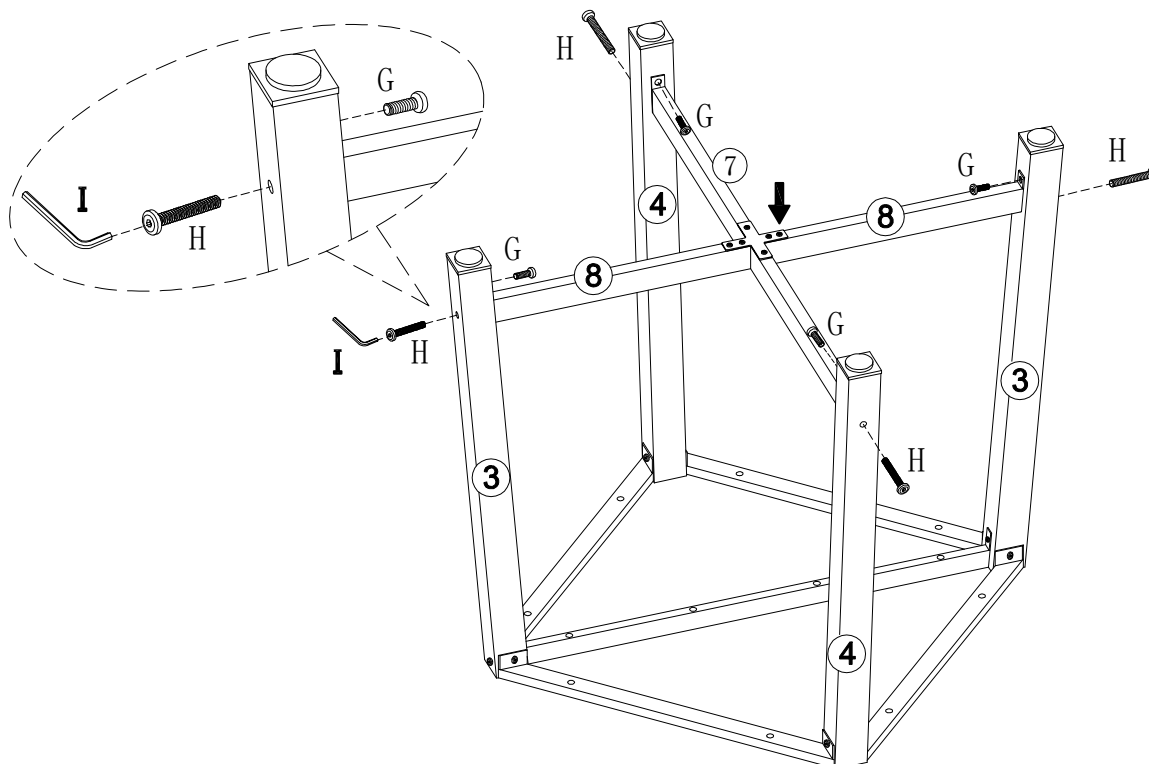
8



DO NOT FULLY TIGHTEN SCREWS UNTIL THE END OF STEP 10

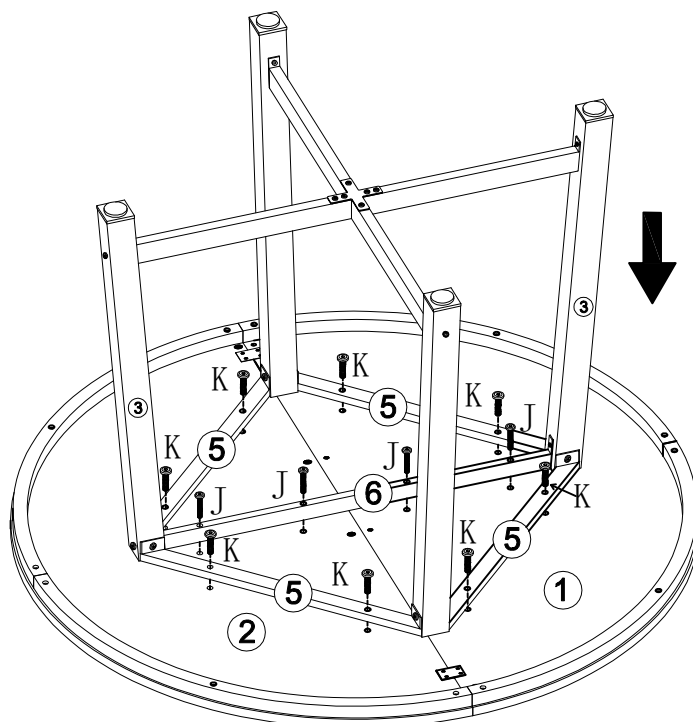
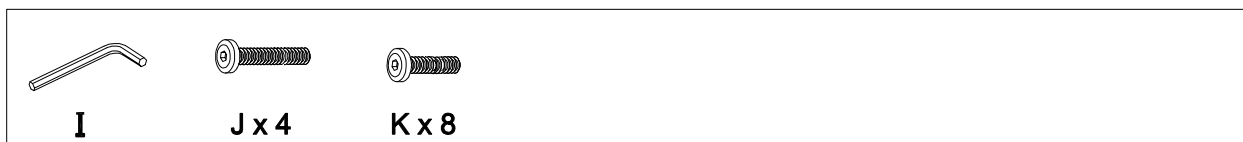
PRODUCT ASSEMBLY

9



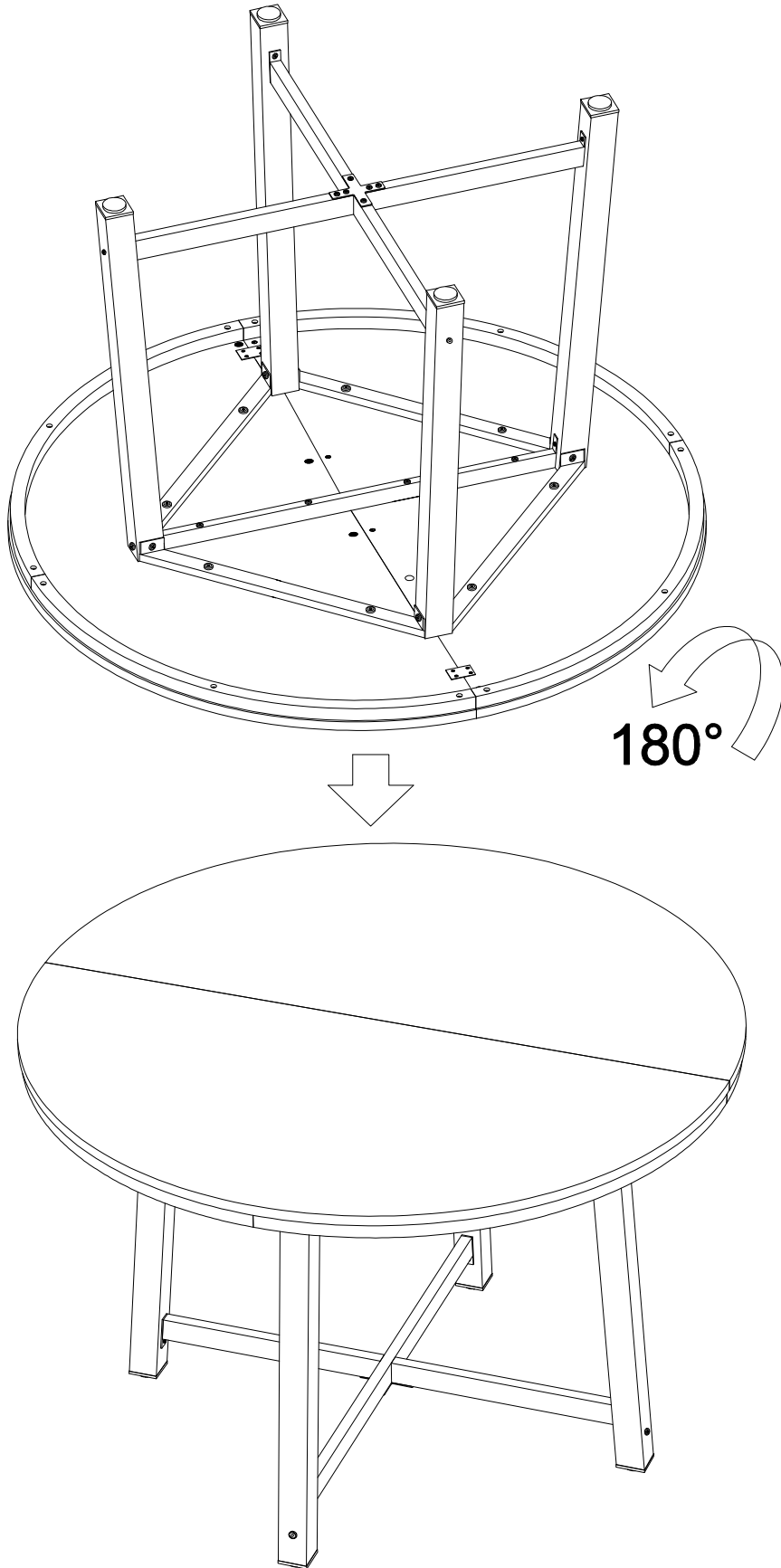
DO NOT FULLY TIGHTEN SCREWS UNTIL THE END OF STEP 10

10



FULLY TIGHTEN ALL SCREWS AT THE END OF THIS STEP

11



GARVEE
support@garvee.com