






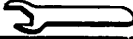

ASSEMBLY INSTRUCTIONS

MODEL : OVAL DINING TABLE

IMPORTANT NOTE :

- * PLACE ALL WOODEN PARTS ON A CLEAN AND SMOOTH SURFACE SUCH AD A RUG OR CARPET TO AVOID THE PARTS FROM BEING SCRATCHED.
- * BEFORE YOU BEGIN, KINDLY FOLLOW THE ASSEMBLY INSTRUCTIONS STEP BY STEP.

HARDWARE LIST

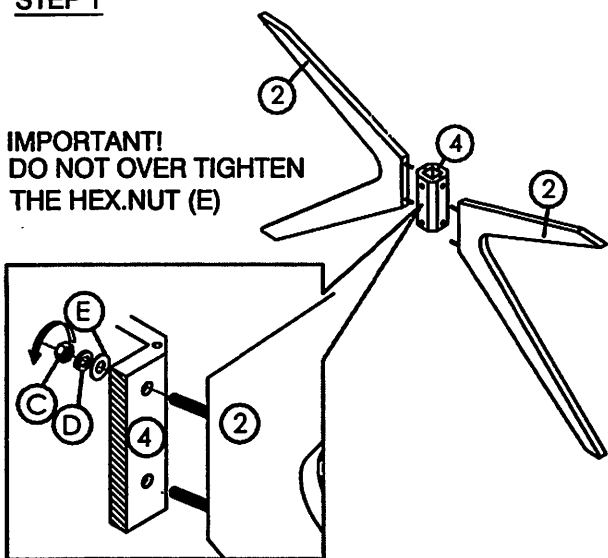
A	JCBC M6 x 70mm + S/W M6 + F/W M6 x 13mm		4PCS
B	ALLEN KEY M4		1PC
C	HEX NUT 5/16"		8PCS
D	SPRING WASHER 5/16"		8PCS
E	FLAT WASHER 5/16"		8PCS
F	SPANNER 12.8		1PC
G	FH SCREW #8 x 32mm		4PCS

PART LIST

1	TABLE TOP	1PC
2	LONG TABLE LEG	2PCS
3	SHORT TABLE LEG	2PCS
4	CENTER SUPPORT BLOCK	1PC
5	CENTER BLOCK COVER	1PC

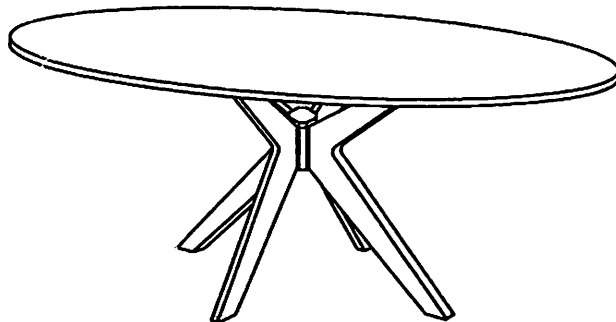
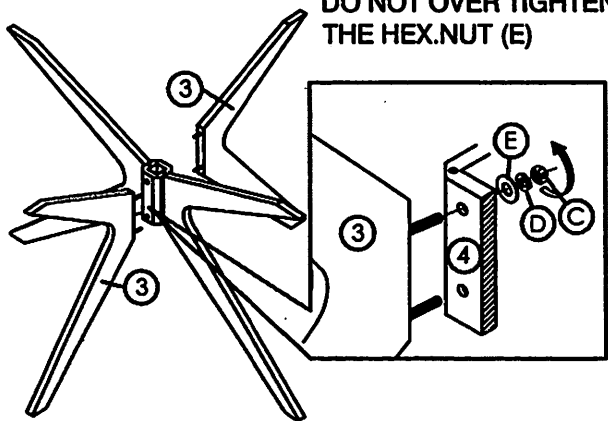
STEP 1

IMPORTANT!
DO NOT OVER TIGHTEN
THE HEX.NUT (E)



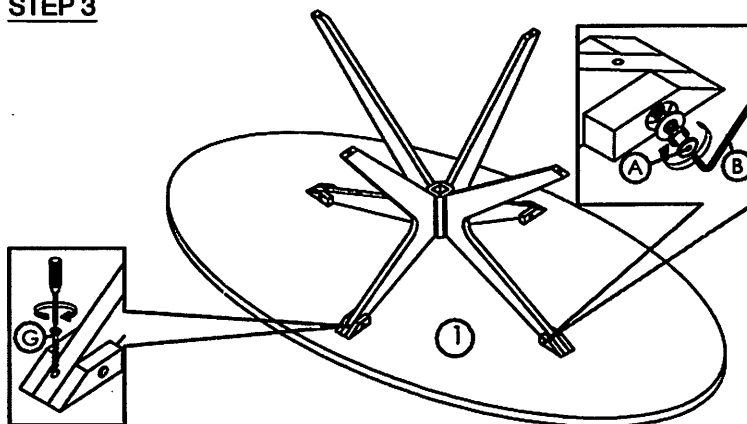
STEP2

IMPORTANT!
DO NOT OVER TIGHTEN
THE HEX.NUT (E)



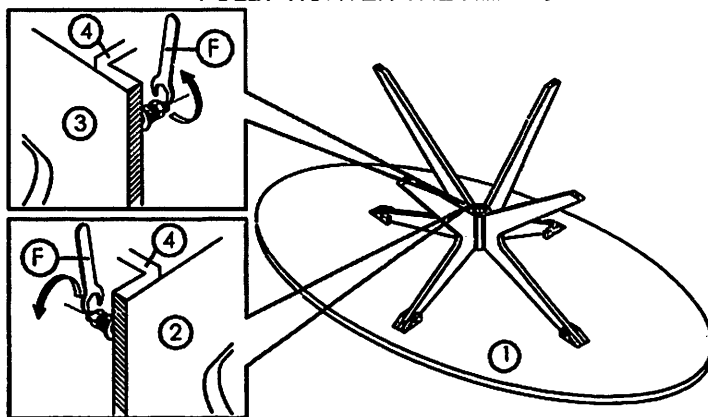
COMPLETED TABLE ASSEMBLY.

STEP 3



STEP4

FULLY TIGHTEN THE HEX NUT



STEP5

