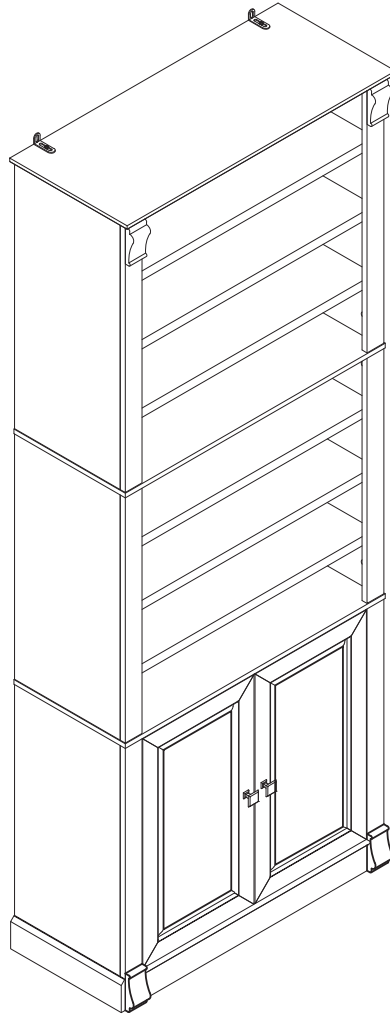


# ASSEMBLY INSTRUCTIONS

---



Two people are required to assemble and move this model.

## ⚠ SAFETY TIPS:

Static charge may cause dust on foam-clean with a dry or damp cloth. Small foam strands may be present-handle gently and dispose of properly. Do not burn or incinerate. Check local recycling guideline.

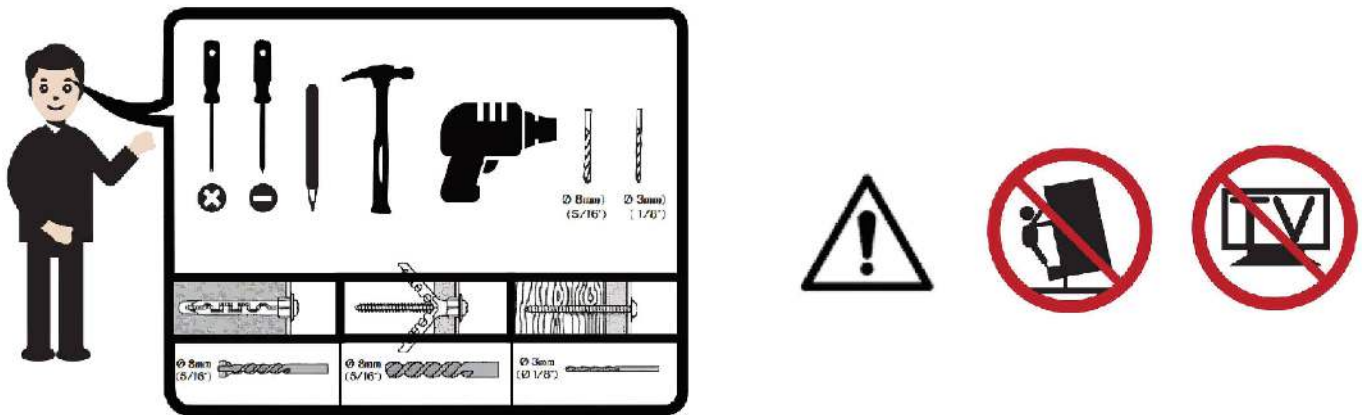
Have an assembly question or need a replacement part?  
Please contact with our customer service.

# Warnings

Important reminder:

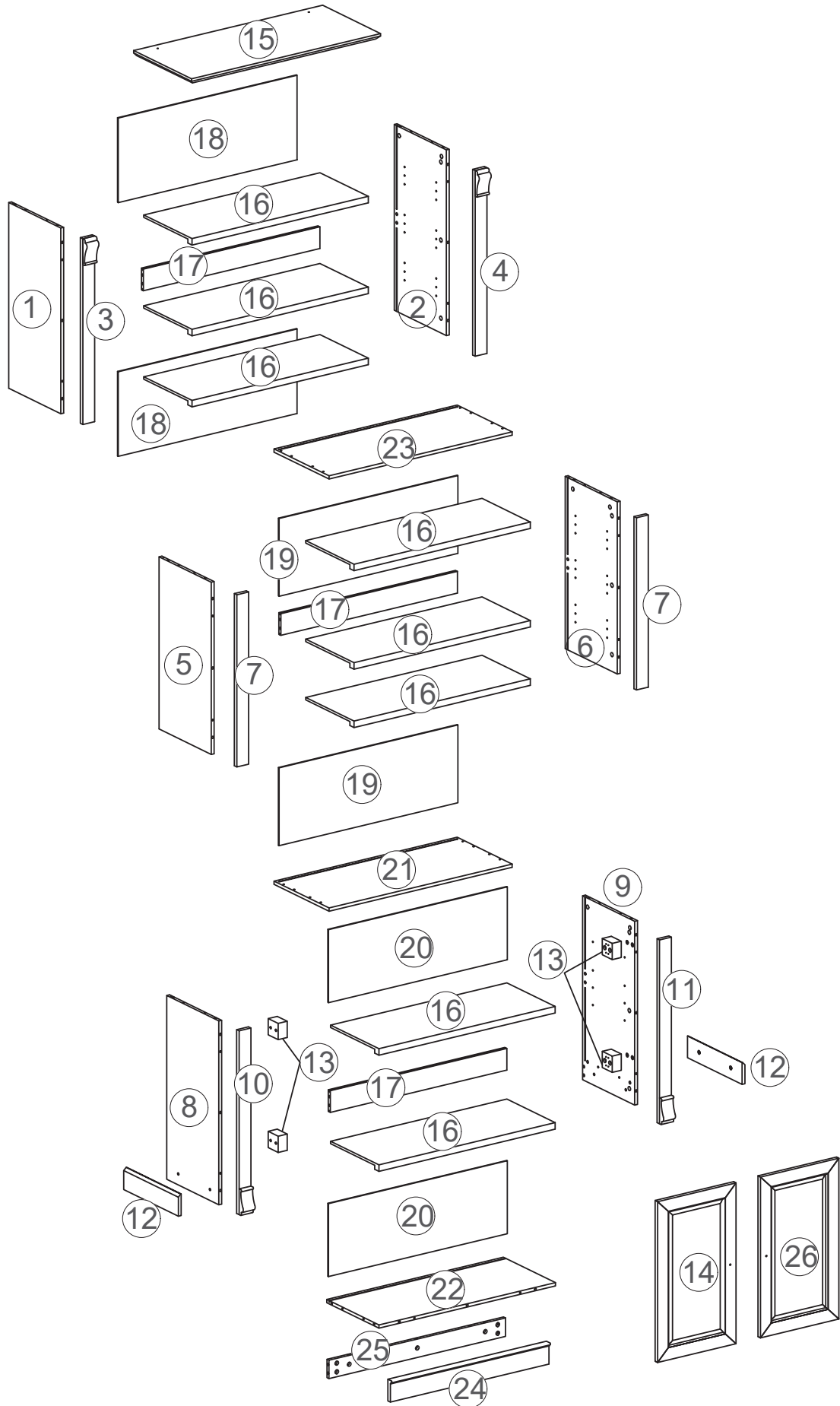
- ⚠ Please sort and check all accessories before assembly.
- ⚠ Place the product on an empty cardboard box or on carpet to prevent scratches.
- ⚠ Please use proper tools for assembly. Using an electric screwdriver can accelerate the assembly speed, but please do not overtighten the screws.
- ⚠ Please follow the assembly steps and do not skip any of them.
- ⚠ If possible, please find a partner to help you with assembly, which can accelerate assembly.
- ⚠ Keep all small parts of this product away from children. They may cause serious injury.
- ⚠ We hope you can retighten the screws 2 weeks after assembly, and check the tightening procedure of the screws every 3 months.

If you meet any difficulty, our friendly customer team are always ready to help you.



Warning: Overturning the product can cause serious crushing injuries. We have a wall connection device attached, please use it to hold the furniture following assembly instructions. Do not change the structure of this product in way. Our products have been tested and meet any 1 sales specific security measures. We won't be responsible for any modifications, which may cause significant security risks.

# Explosion Diagram



# Parts List



① X1



② X1



③ X1



④ X1



⑤ X1



⑥ X1



⑦ X2



⑧ X1



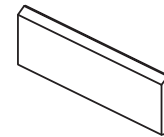
⑨ X1



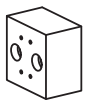
⑩ X1



⑪ X1



⑫ X2



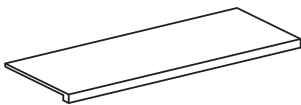
⑬ X4



⑭ X1



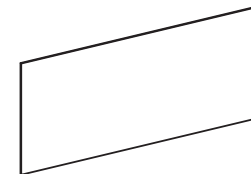
⑮ X1



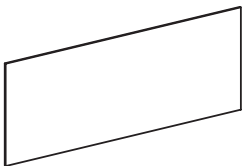
⑯ X8



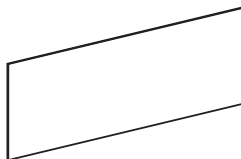
⑰ X3



⑱ X2



⑲ X2

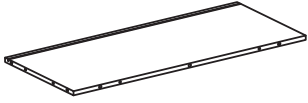


⑳ X2



㉑ X1

# Parts List



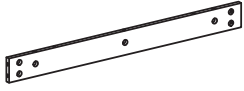
22 X1



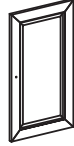
23 X1



24 X1



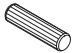


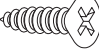





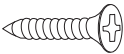


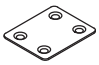



25 X1



26 X1

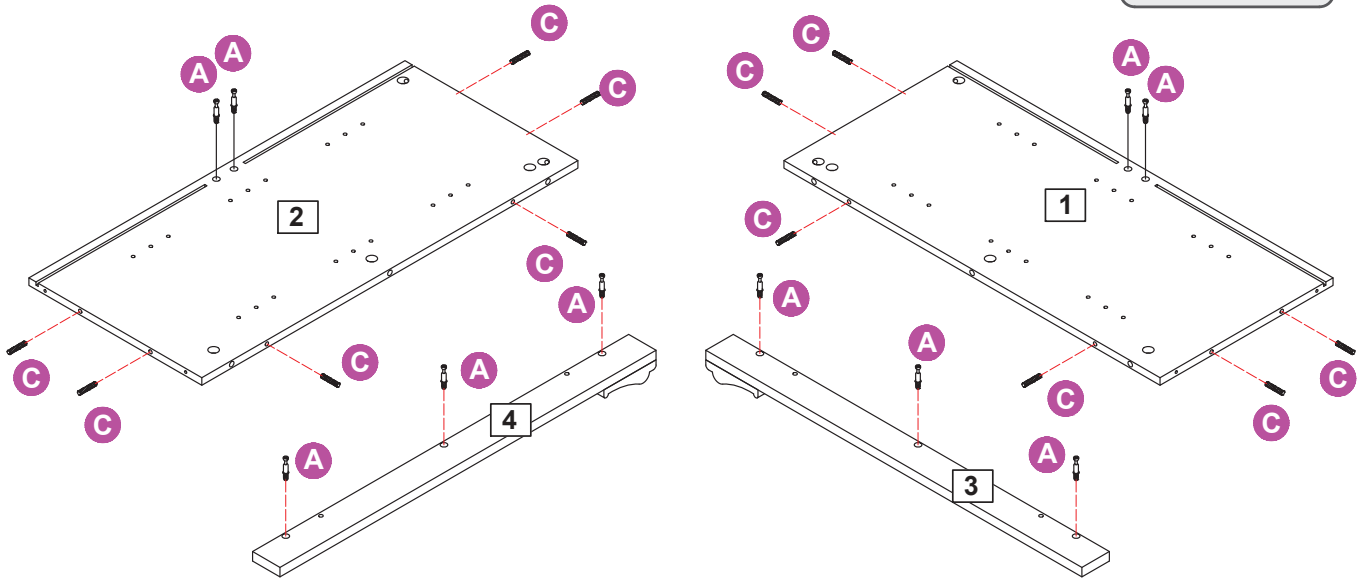
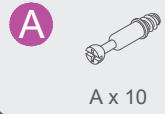
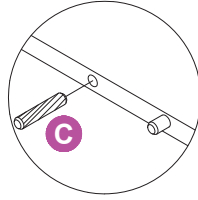
# Hardware List

No.	Code	Diagram	Description	Quantity	Spare
1	<b>A</b>		Ø6 x 32 mm	56	6
2	<b>B</b>		Ø15 x 12 mm	56	6
3	<b>C</b>		Ø6 x 30 mm	40	4
4	<b>D</b>		M6 x 20mm	4	
5	<b>E</b>		M6 x 35mm	8	
6	<b>F</b>		Ø3.5 x 14 mm	32	4
7	<b>G</b>		M5 x 40mm	8	2
8	<b>H</b>		Ø20	50	
9	<b>I</b>			2	
10	<b>J</b>			32	2
11	<b>K</b>		Ø35	4	
12	<b>L</b>		Ø3 x 16mm	24	4
13	<b>M</b>			24	4
14	<b>N</b>			2	
15	<b>O</b>		60*38*1mm	2	
16				1	

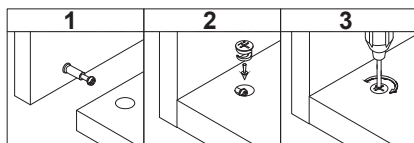
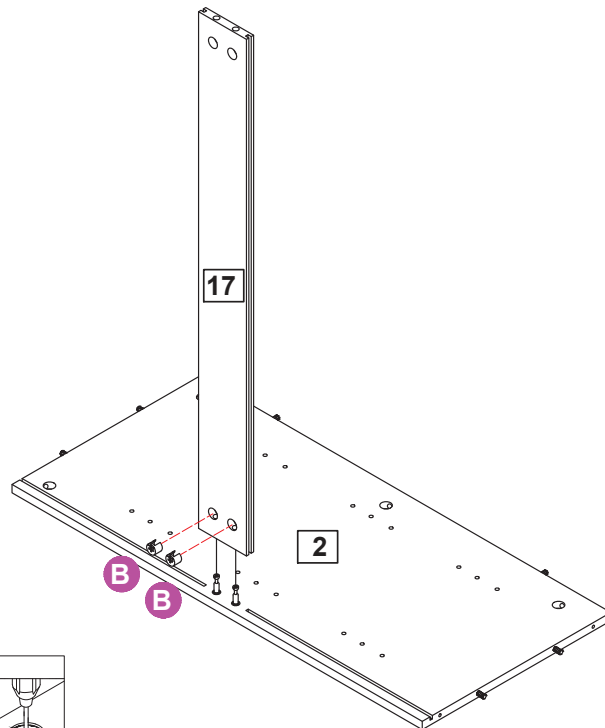
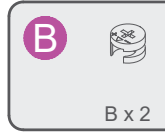
THE SPARE BAG INCLUDED EXTRA HARDWARE FOR DAMAGED OR MISSING SMALL HARDWARE WHILE YOU ARE ASSEMBLING

# Assembly Instructions

## Step 1

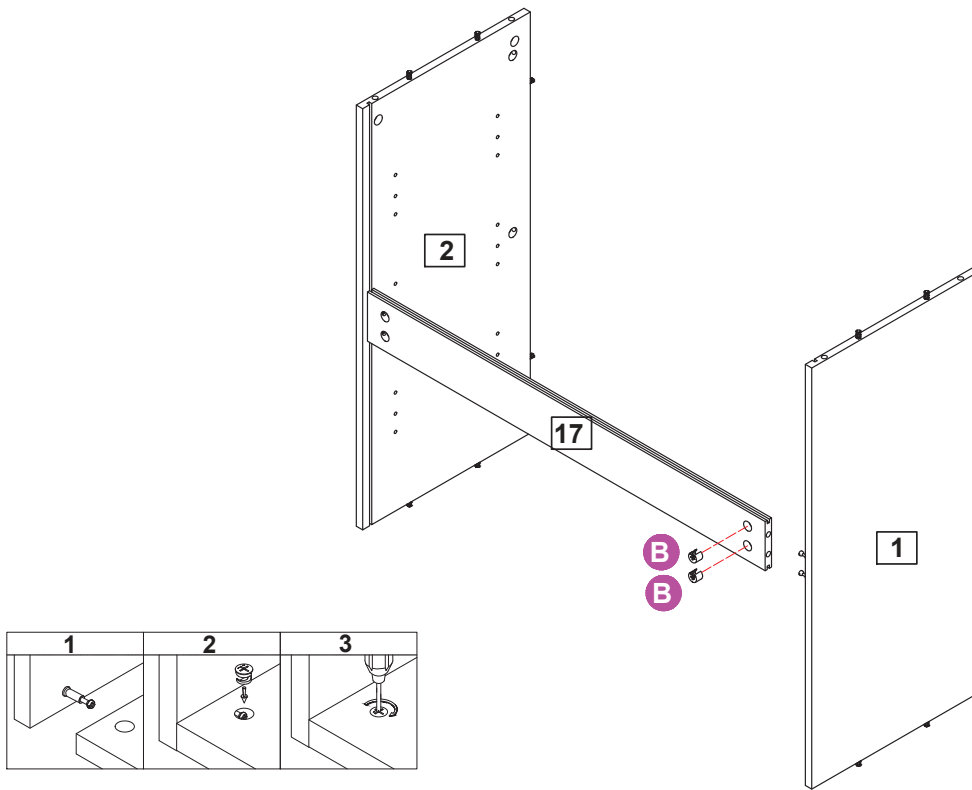


## Step 2

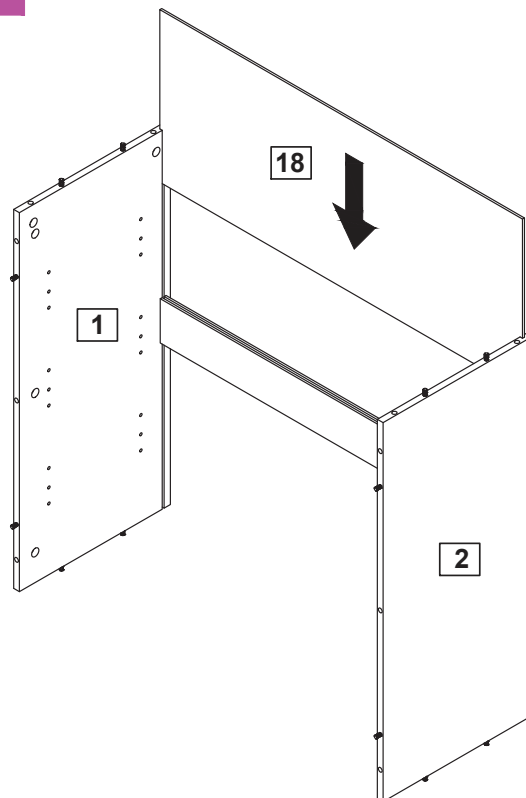


# Assembly Instructions

## Step 3

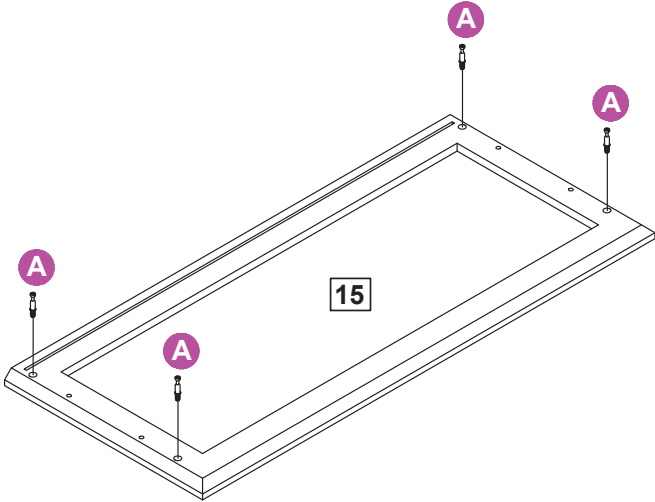
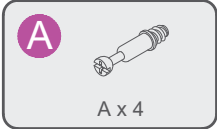


## Step 4

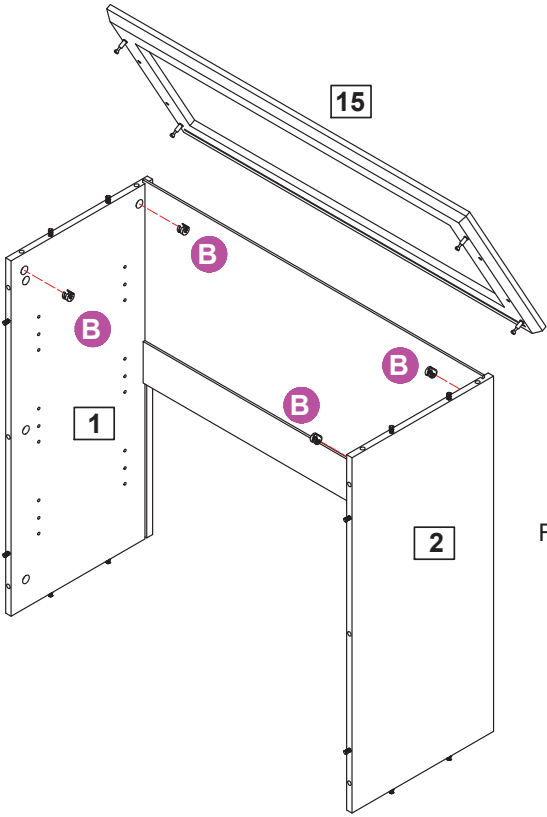
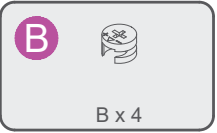


# Assembly Instructions

## Step 5



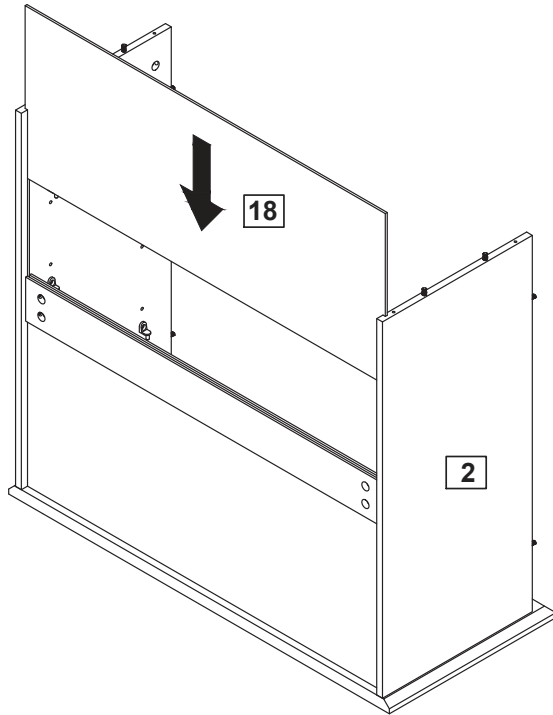
## Step 6



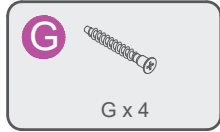
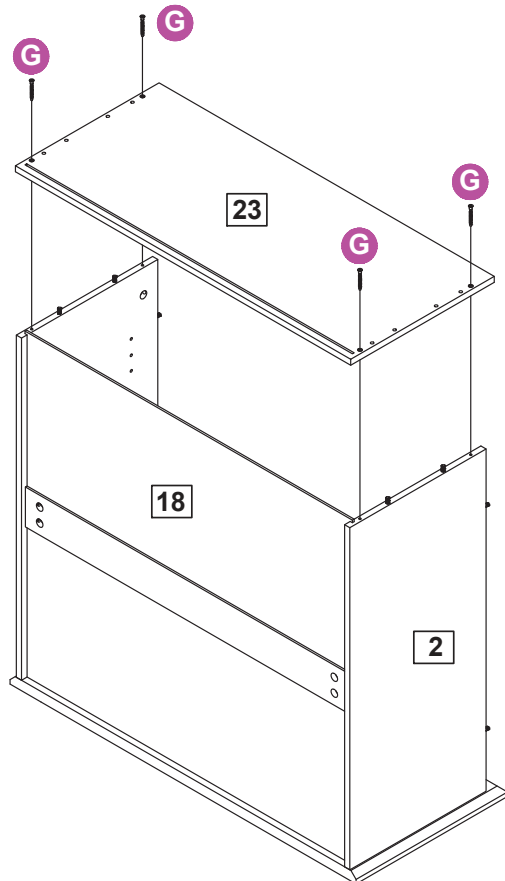
Flip 180 degrees after installation.

# Assembly Instructions

## Step 7



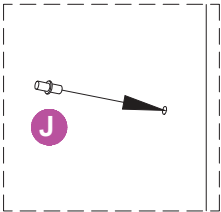
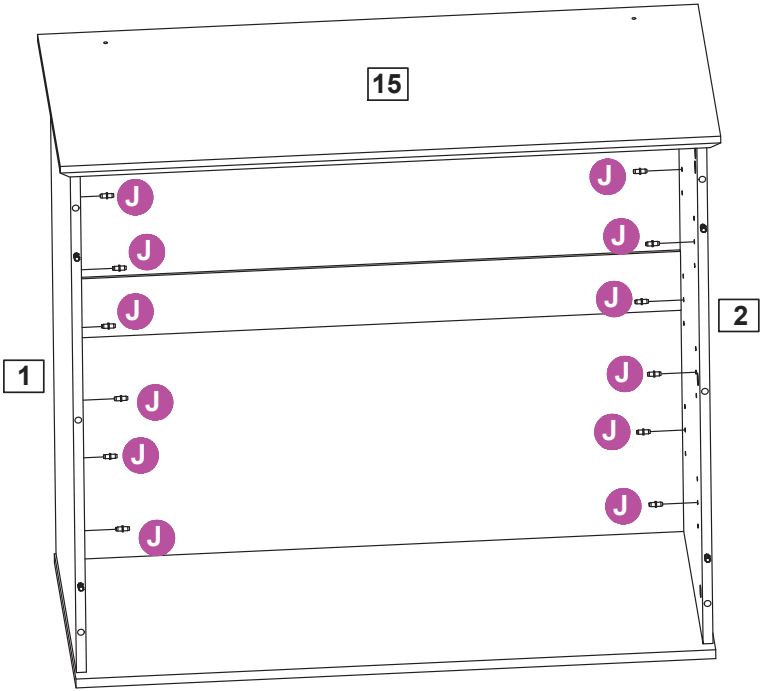
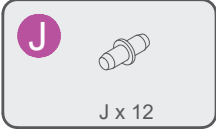
## Step 8



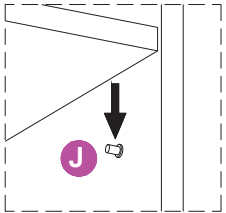
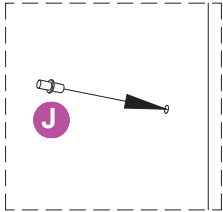
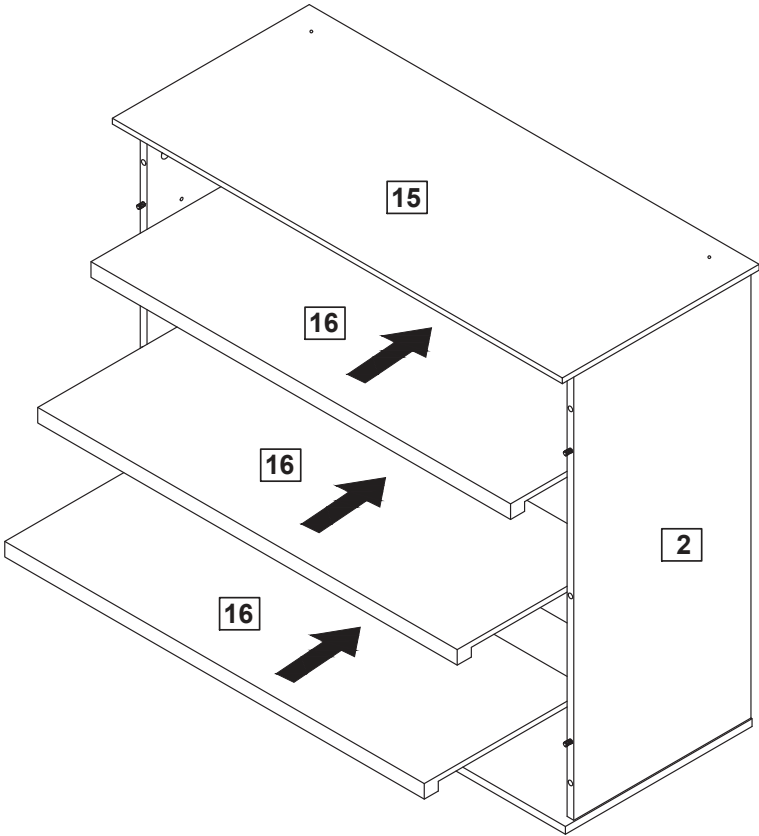
Flip 180 degrees after installation.

# Assembly Instructions

## Step 9

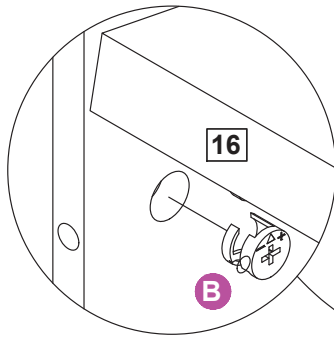


## Step 10

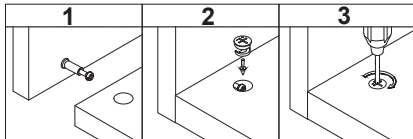
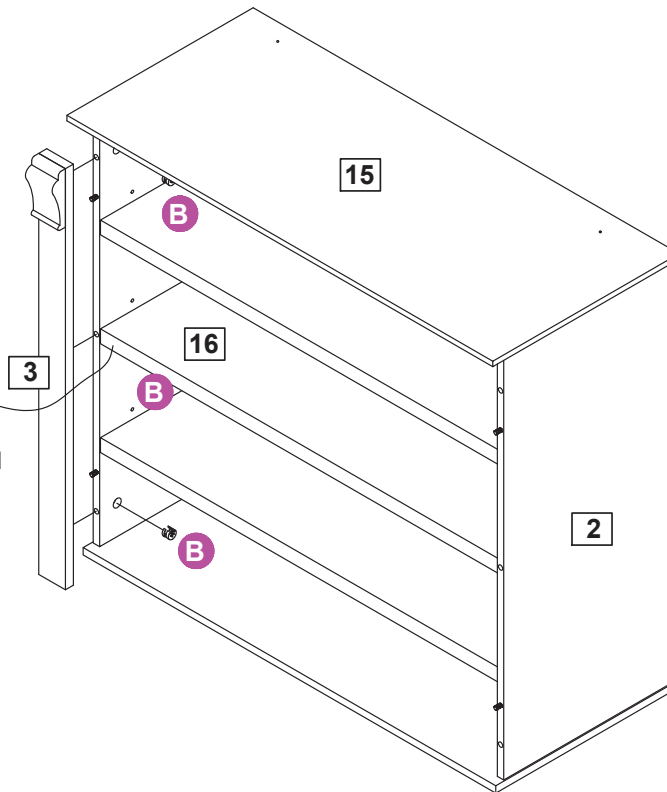


# Assembly Instructions

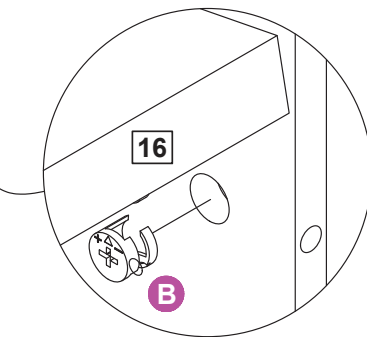
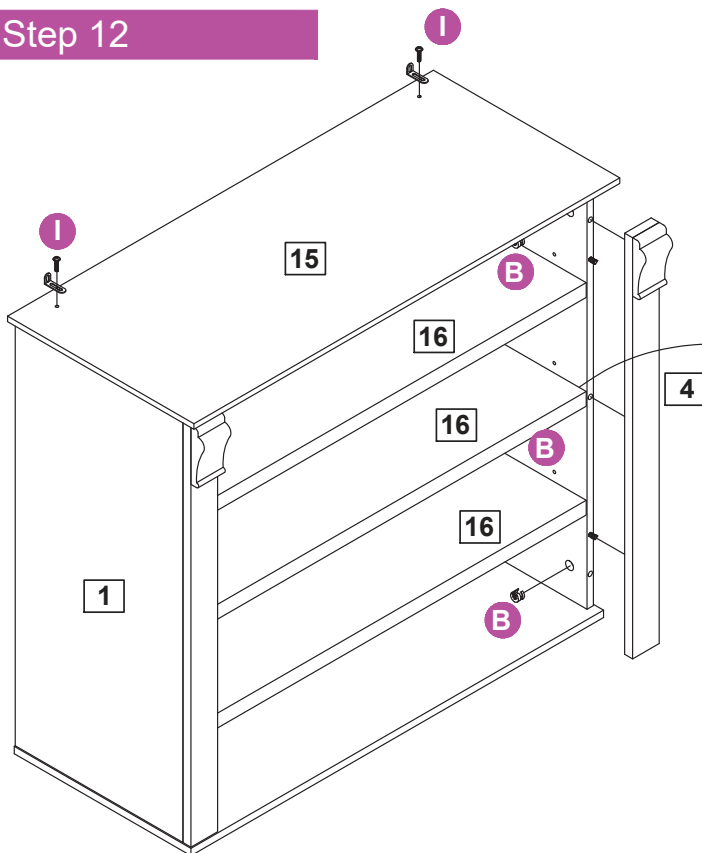
## Step 11



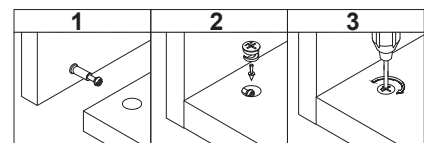
When installing hardware B, you need to lift the 16th part upwards and then install hardware B.



## Step 12

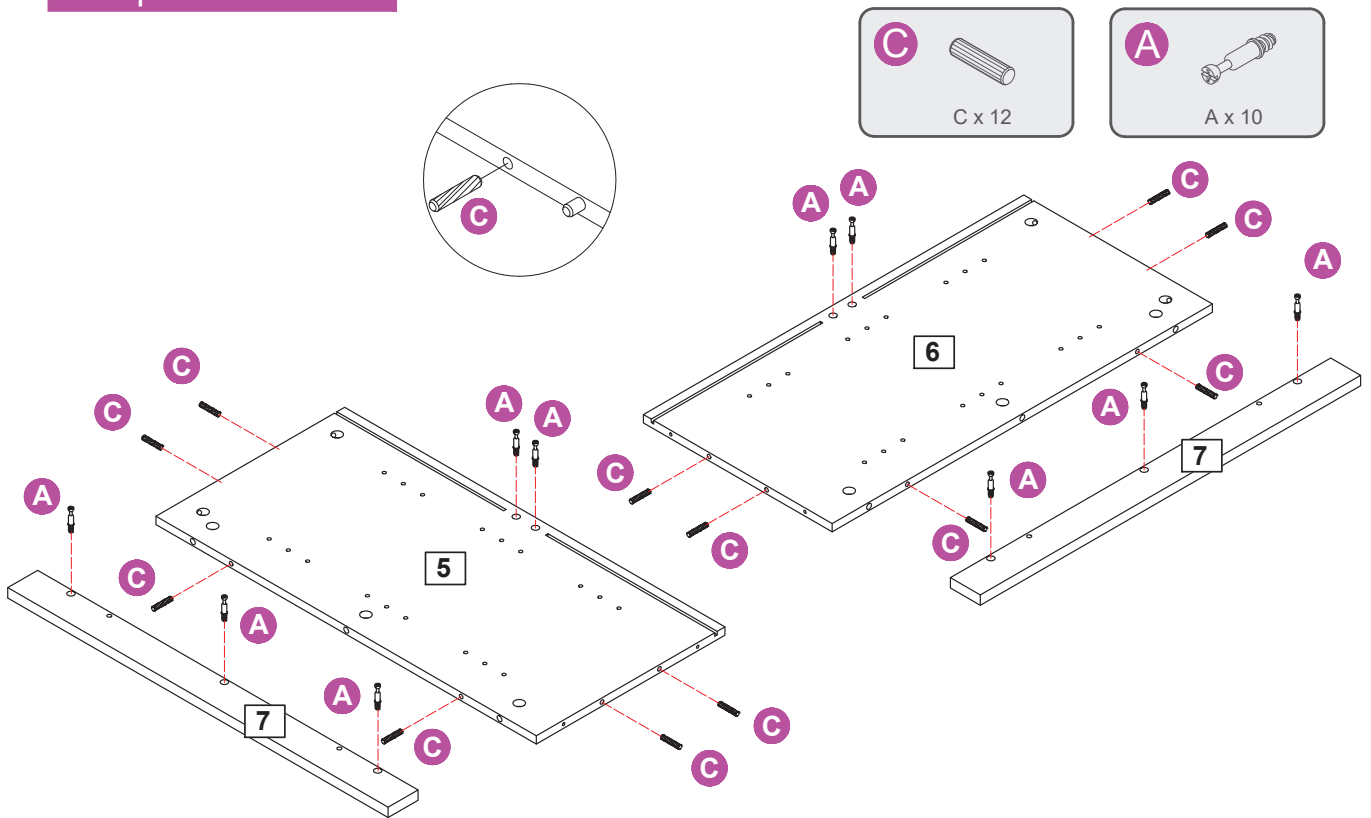


When installing hardware B, you need to lift the 16th part upwards and then install hardware B.

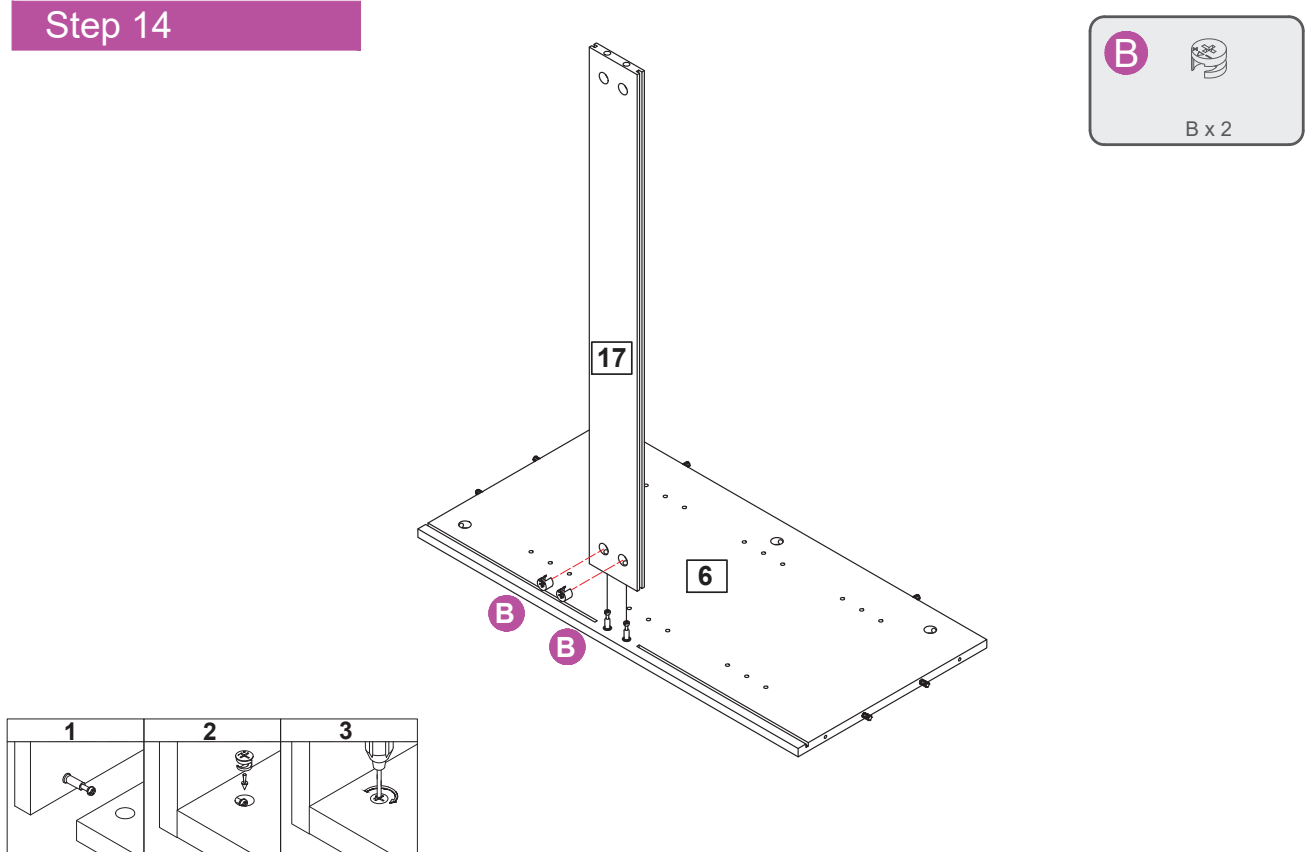


# Assembly Instructions

## Step 13



## Step 14



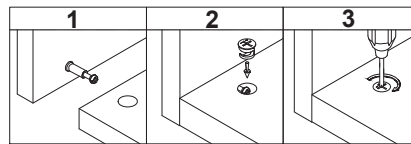
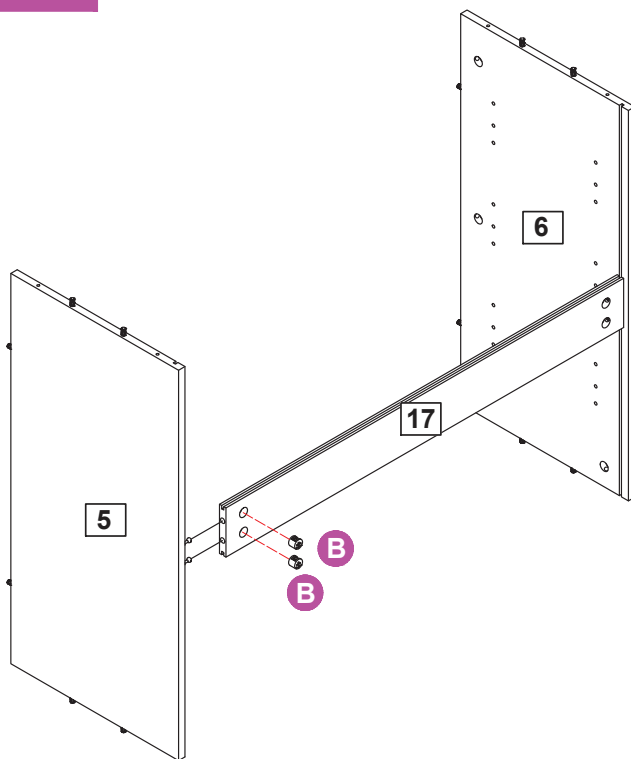
# Assembly Instructions

## Step 15

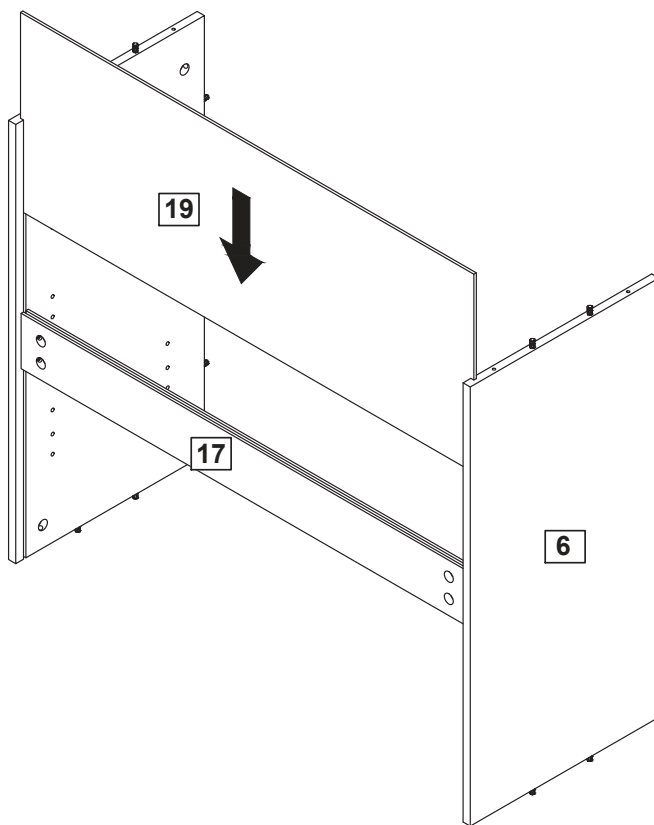
B



B x 2

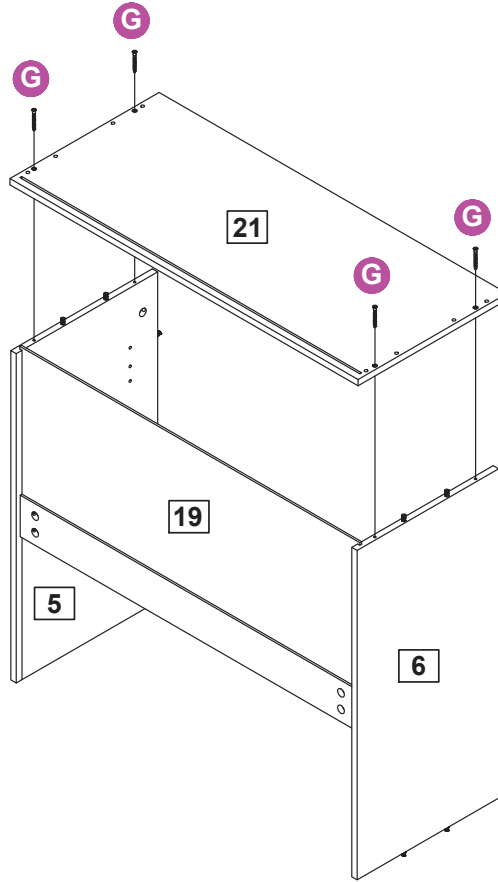


## Step 16



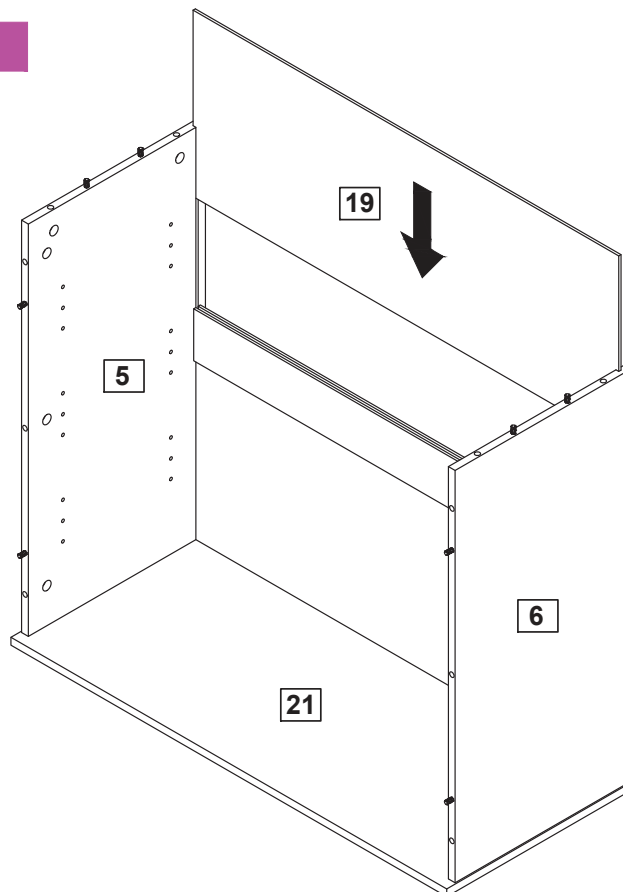
# Assembly Instructions

## Step 17




Flip 180 degrees after installation.

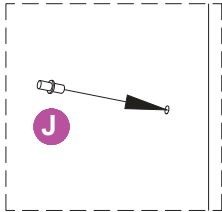
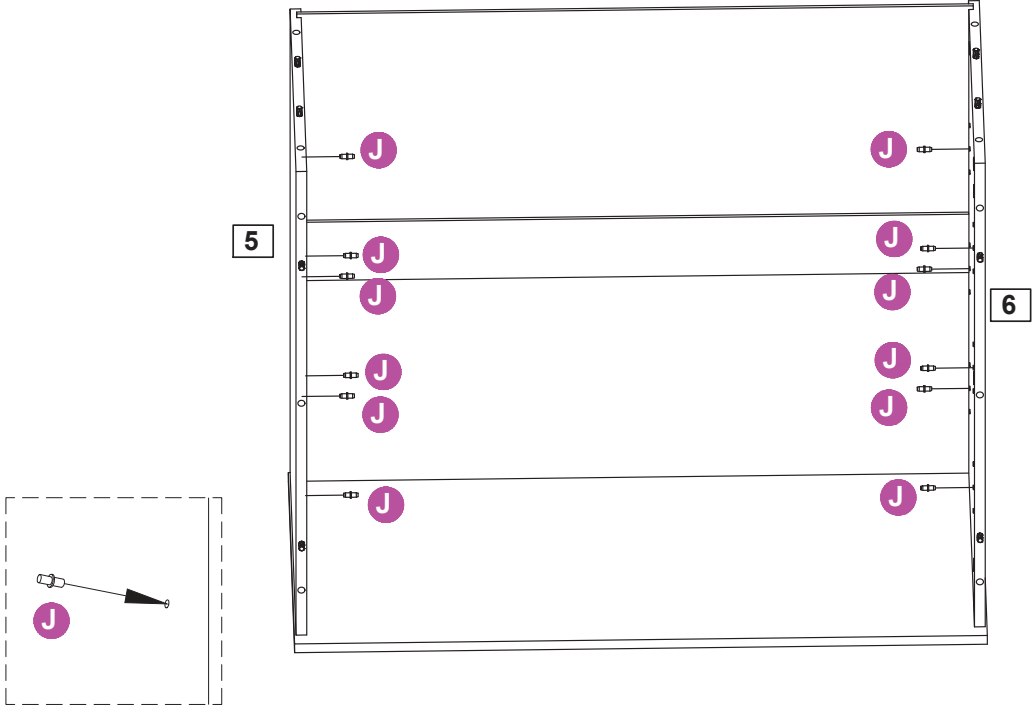
## Step 18



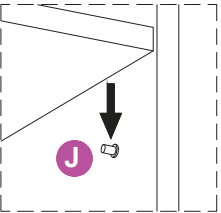
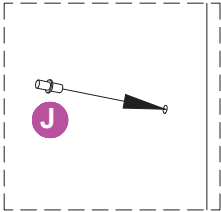
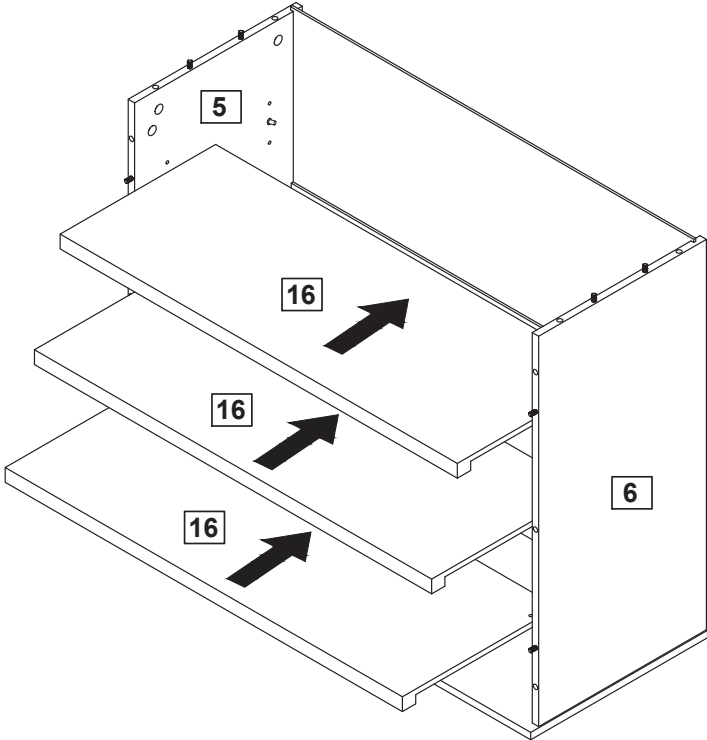
# Assembly Instructions

## Step 19

**J**   
J x 12

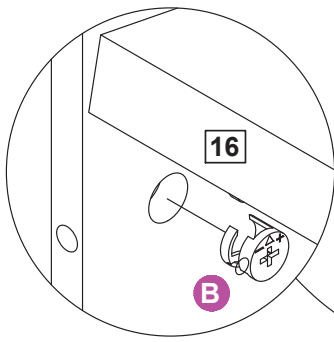
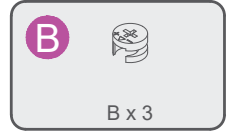


## Step 20

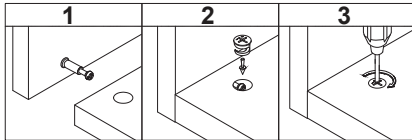
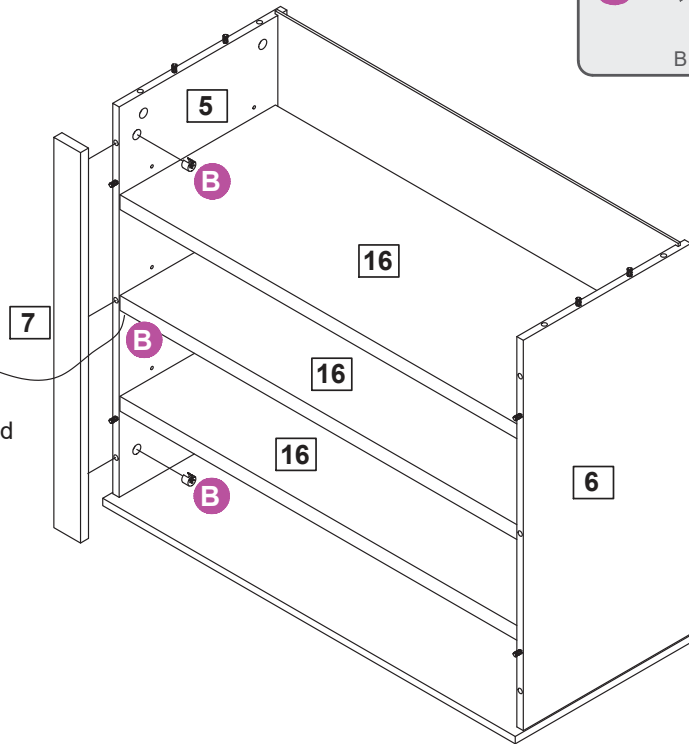


# Assembly Instructions

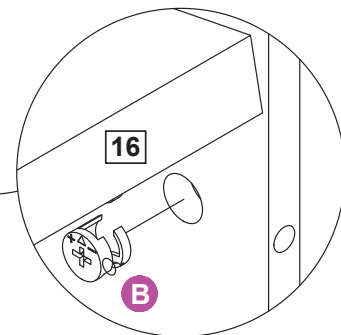
## Step 21



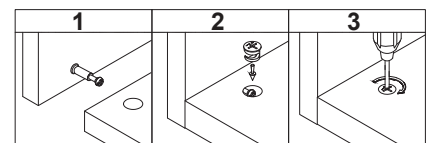
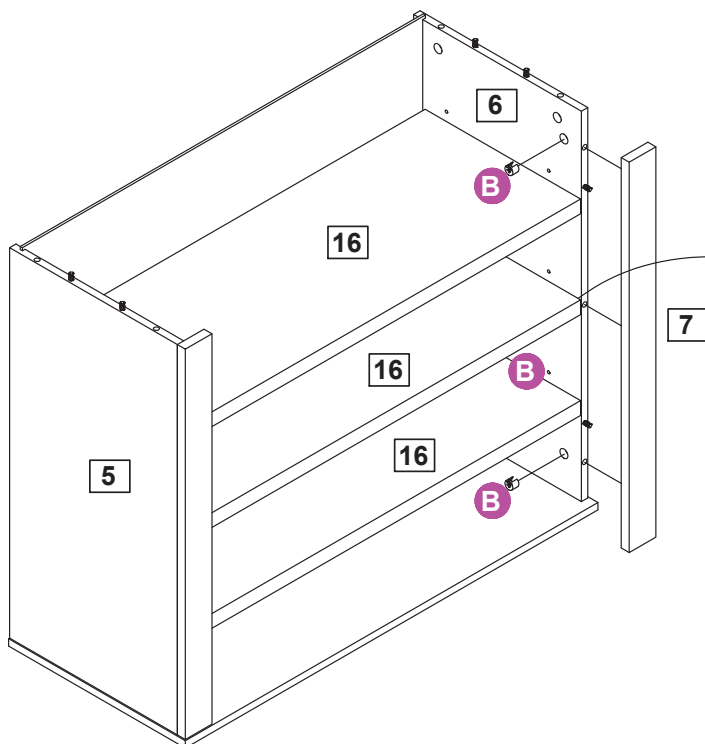
When installing hardware B, you need to lift the 16th part upwards and then install hardware B.



## Step 22

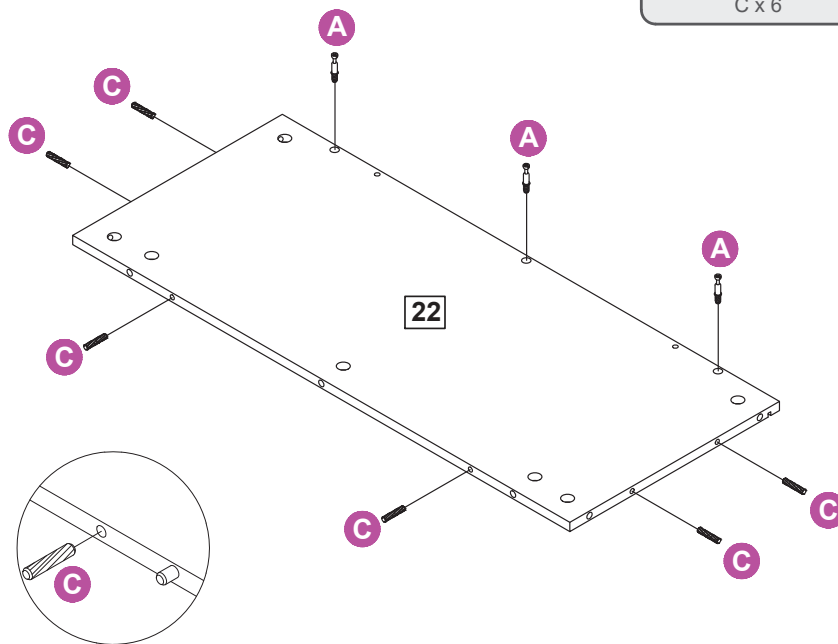
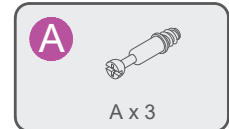
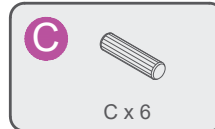


When installing hardware B, you need to lift the 16th part upwards and then install hardware B.

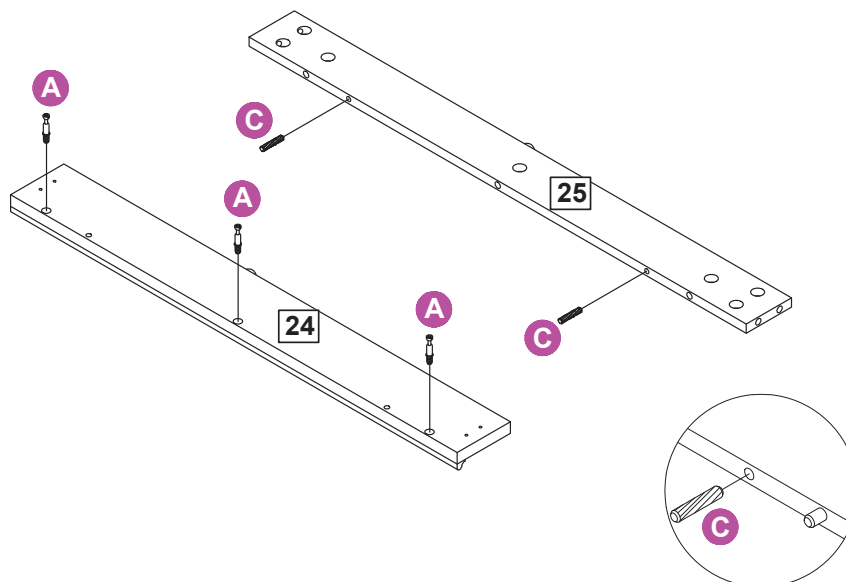
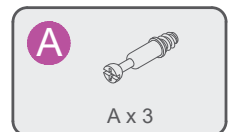
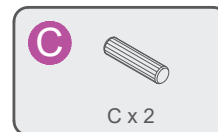


# Assembly Instructions

## Step 23

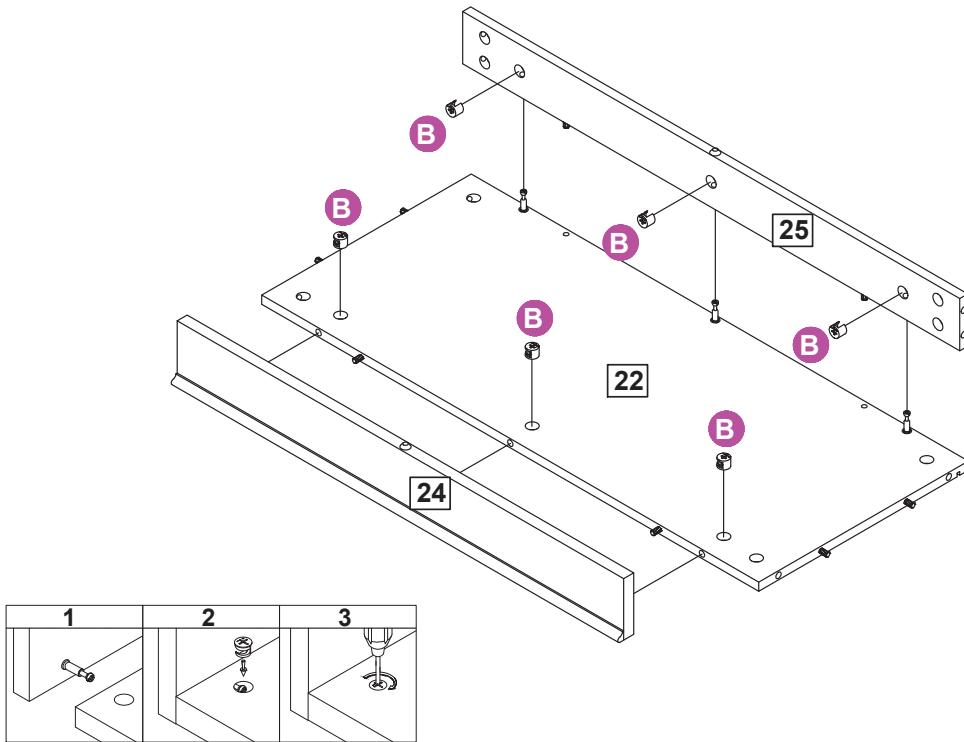


## Step 24

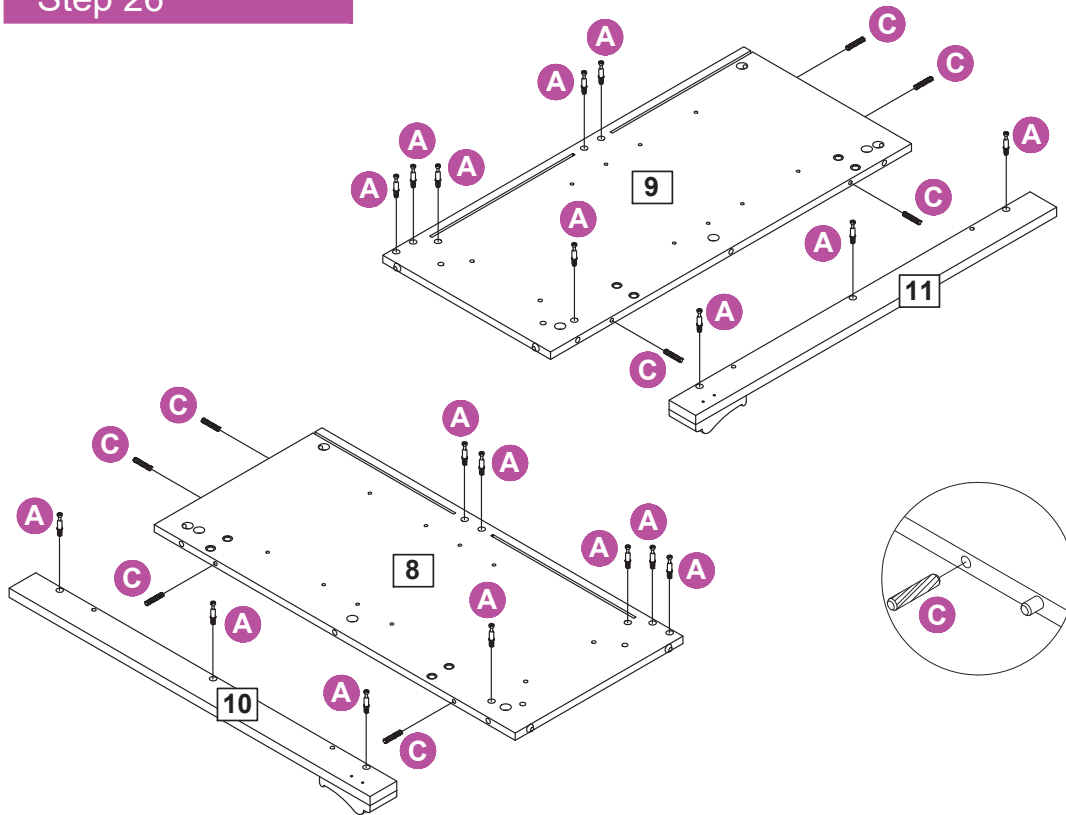
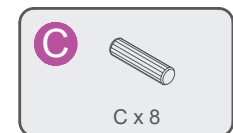
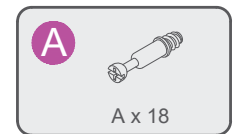


# Assembly Instructions

## Step 25

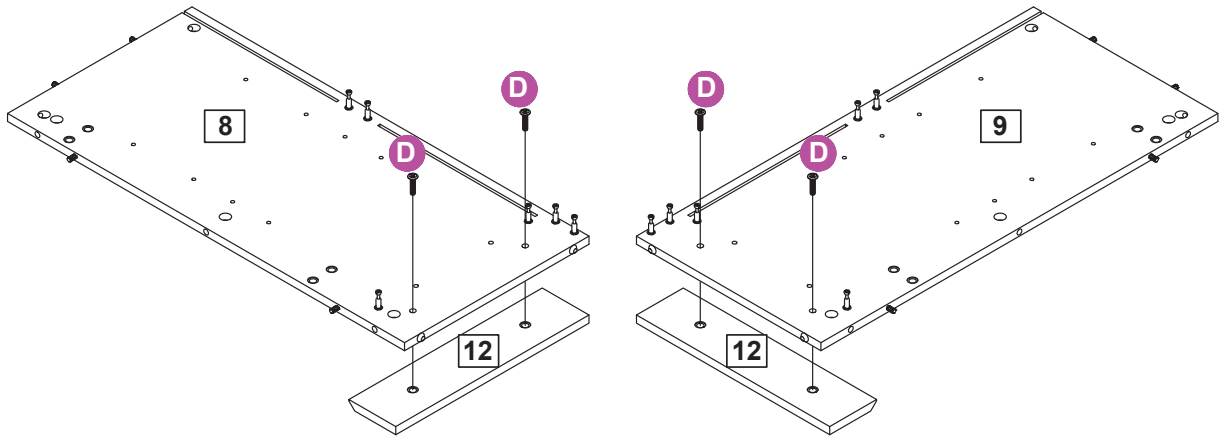
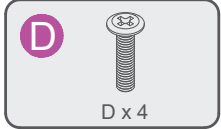


## Step 26

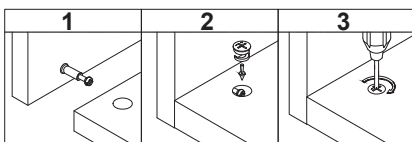
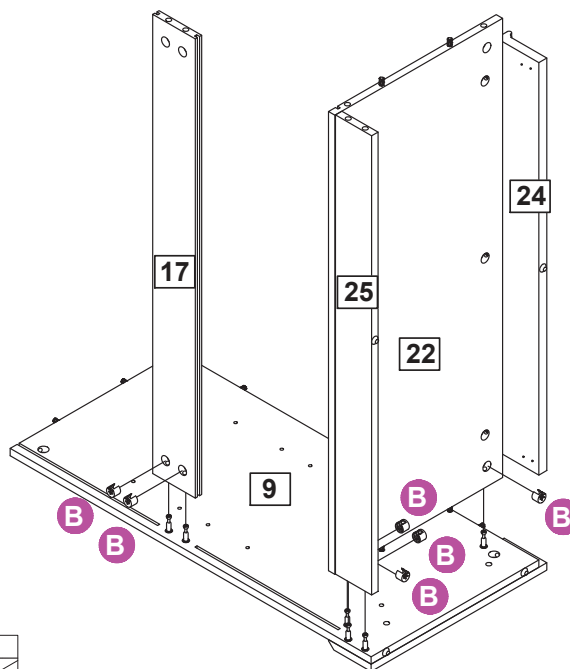
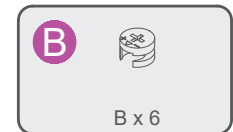


# Assembly Instructions

## Step 27

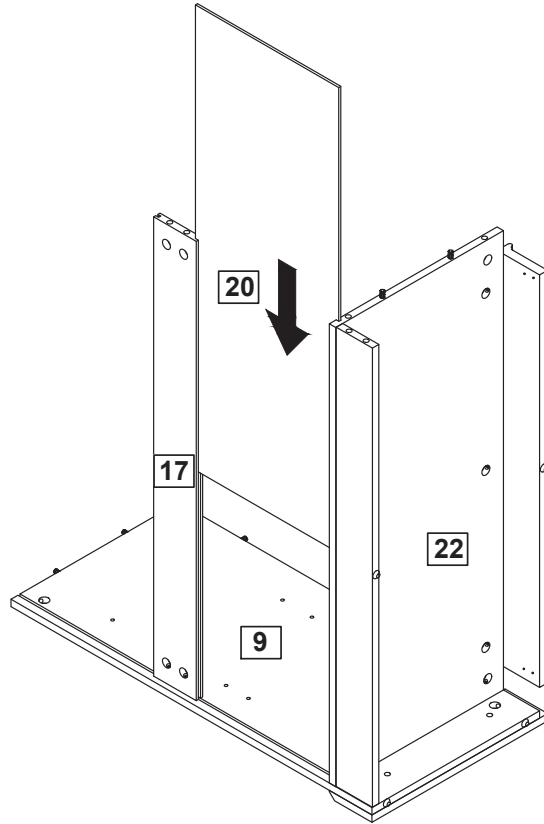


## Step 28



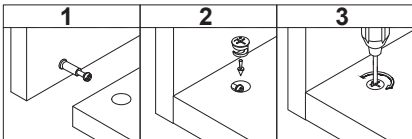
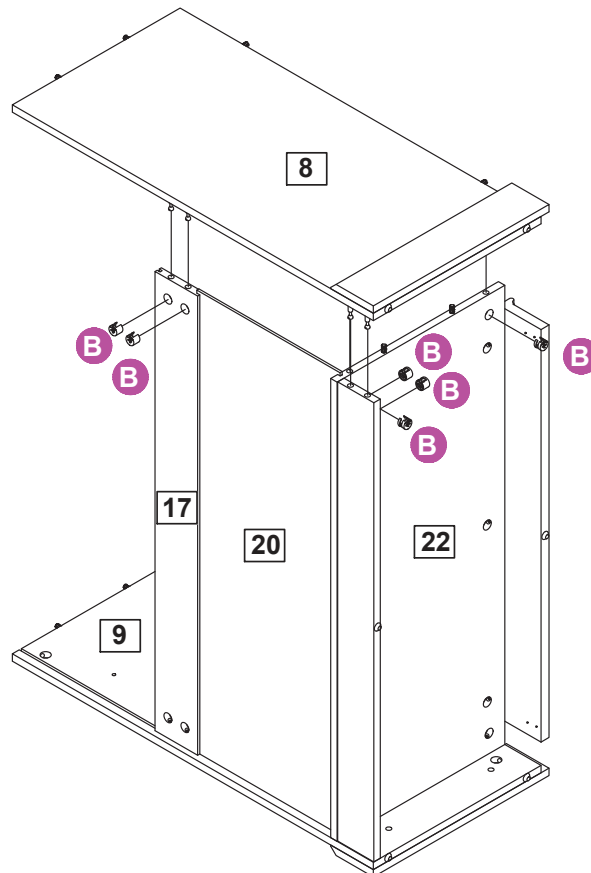
# Assembly Instructions

## Step 29



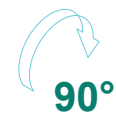
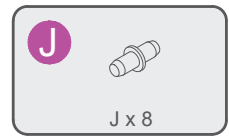
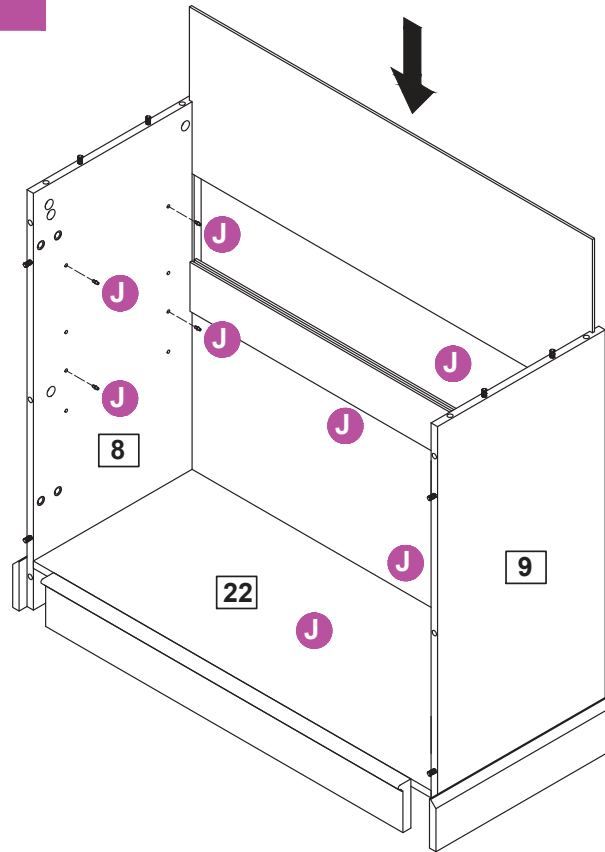
## Step 30

**B**   
B x 6

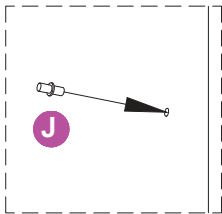


# Assembly Instructions

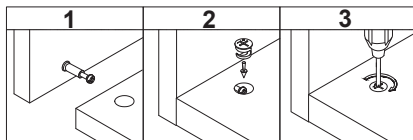
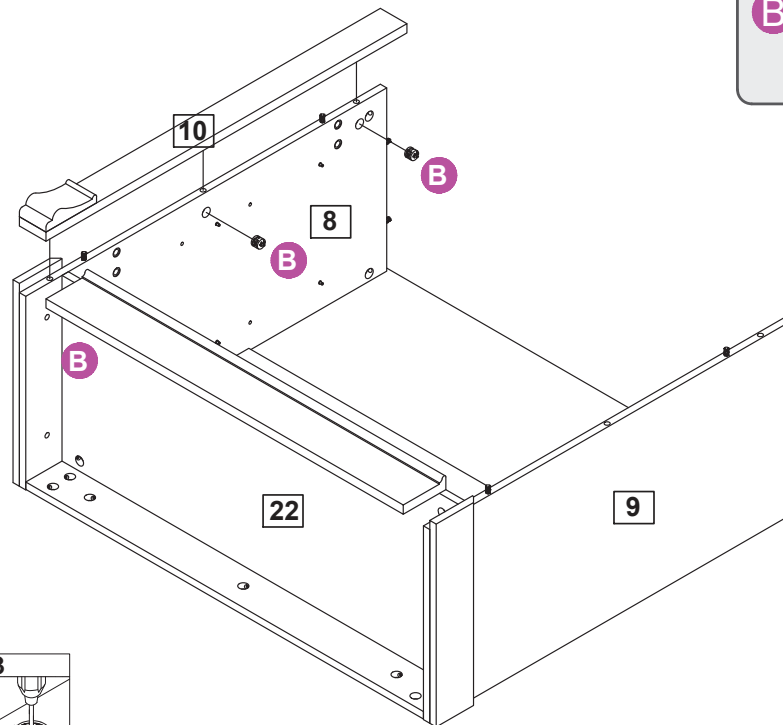
## Step 31



Flip 90 degrees after installation.

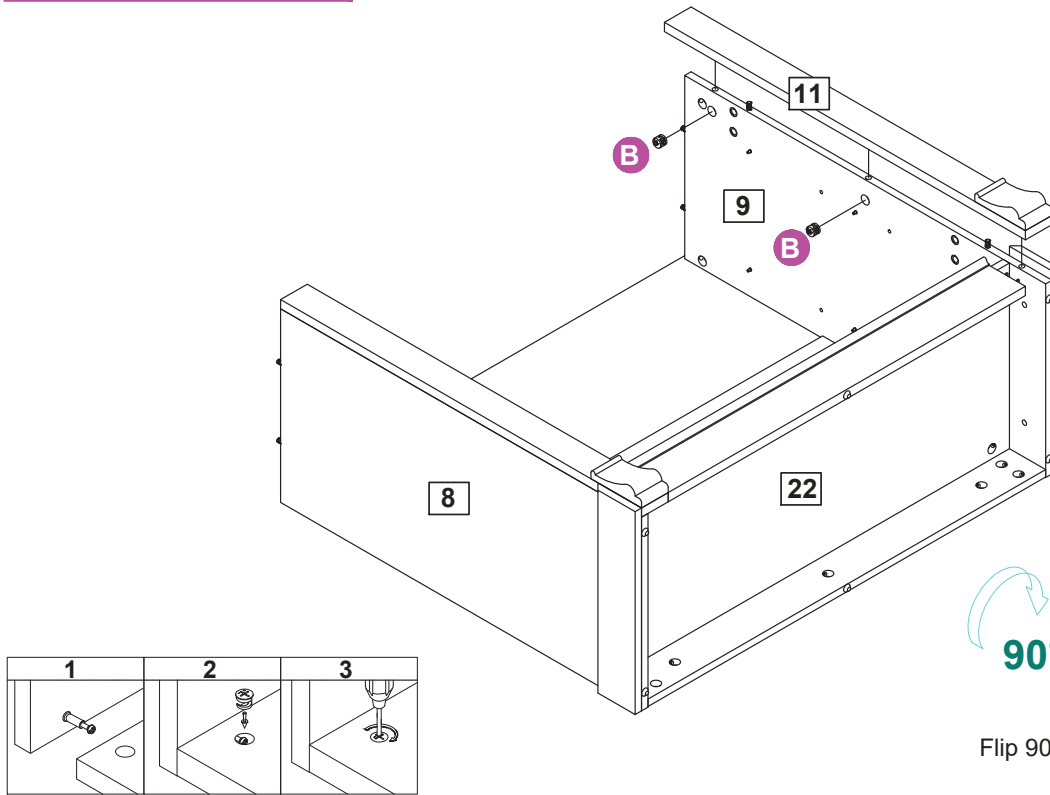



## Step 32



# Assembly Instructions

## Step 33

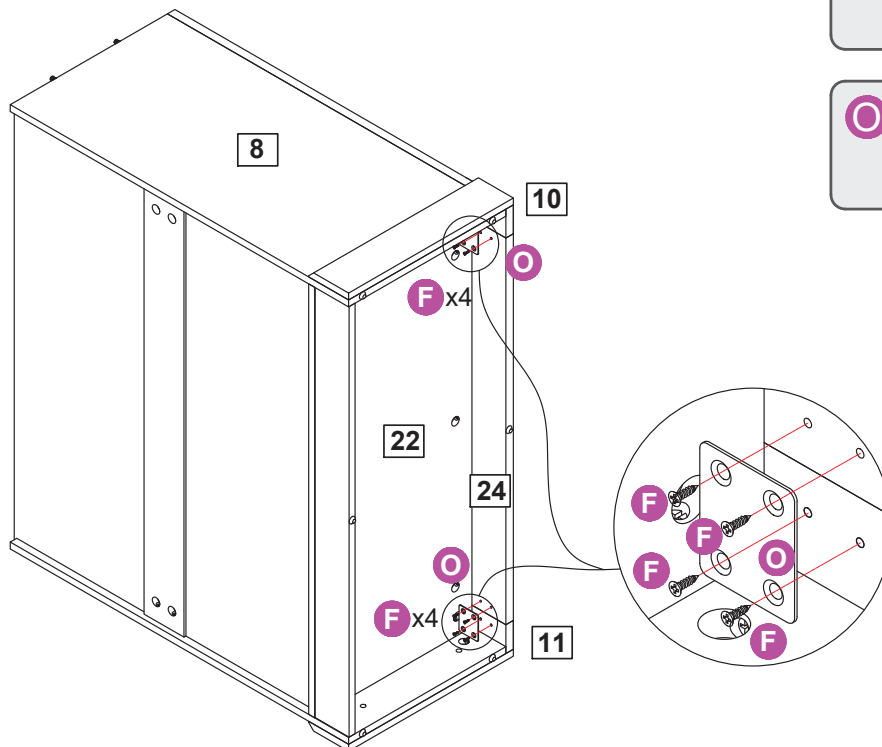



**B**   
B x 3



Flip 90 degrees after installation.

## Step 34



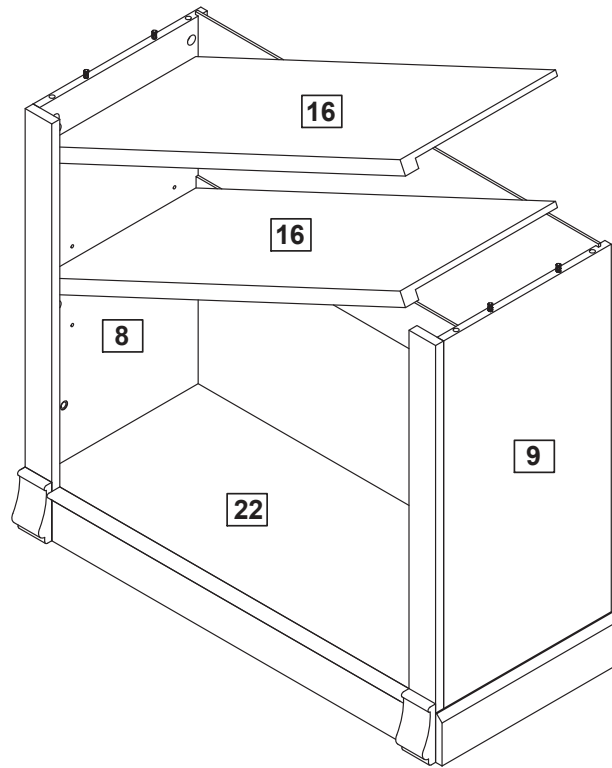
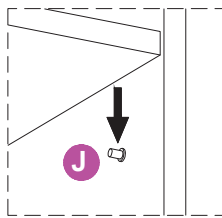
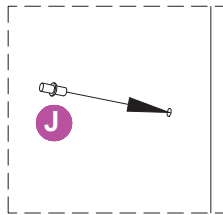
**F**   
F x 8

**O**   
O x 2

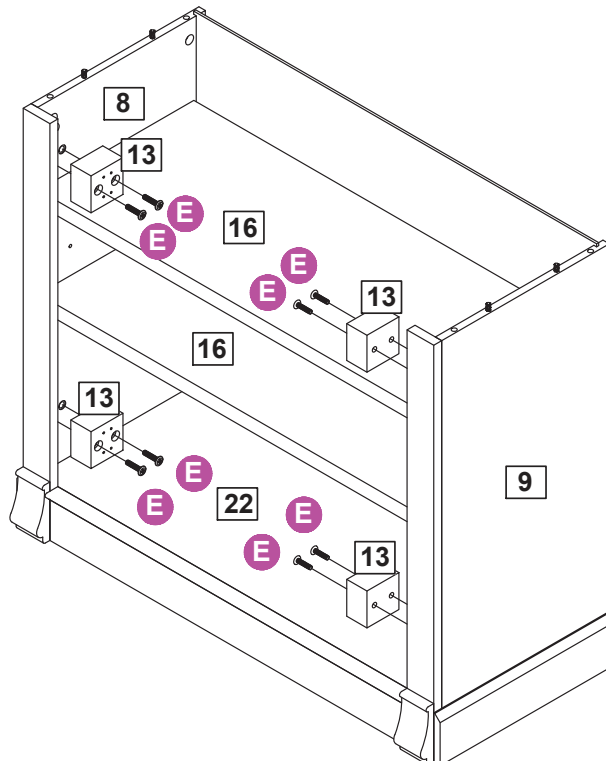
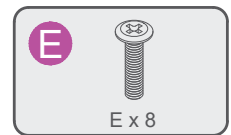
# Assembly Instructions

## Step 35

Tip: Put the two pieces of Part 16 into the shelf supports at an angle first, then lower the other end to fit.

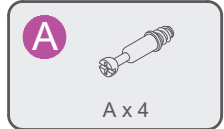


## Step 36

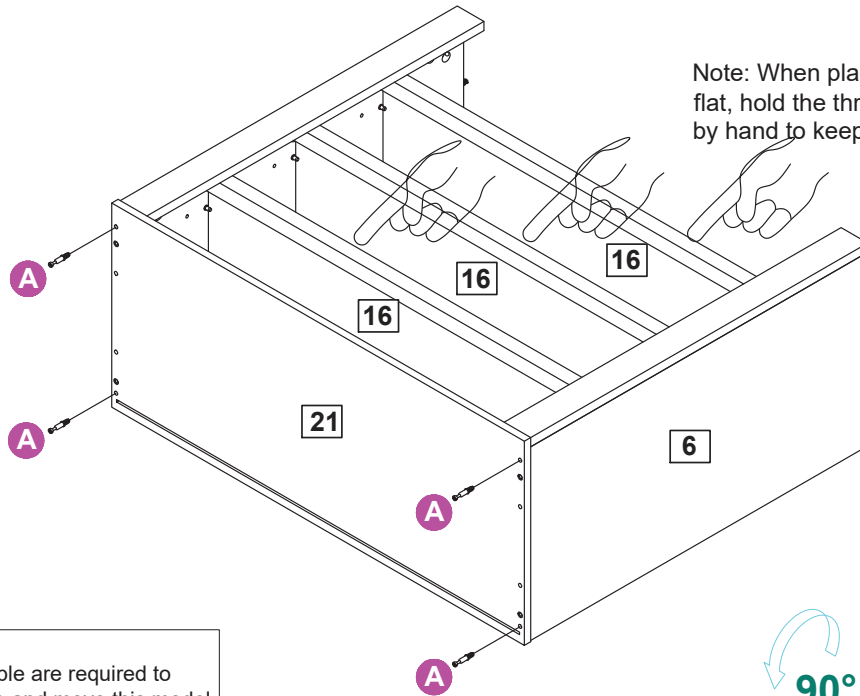


# Assembly Instructions

## Step 37



Note: When placing the cabinet body flat, hold the three pieces of Part 16 by hand to keep them vertical

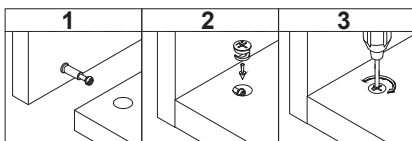
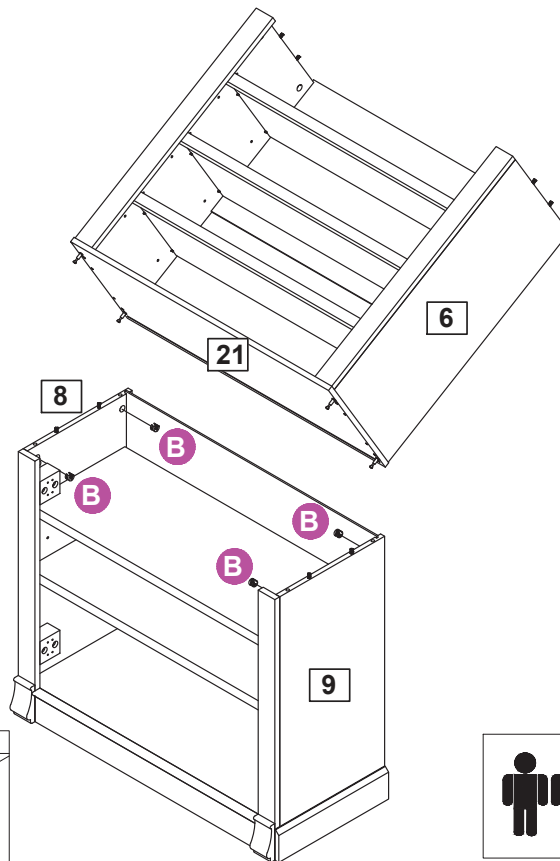
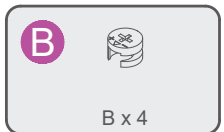


Two people are required to assemble and move this model.



Flip 90 degrees after installation.

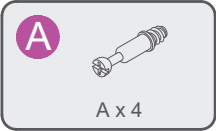
## Step 38



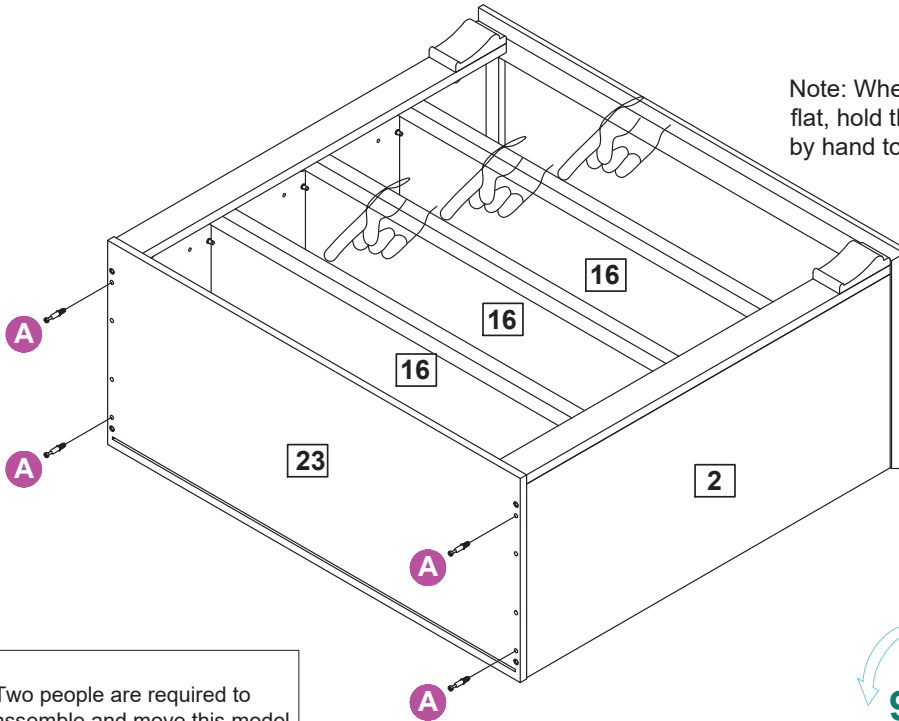
Two people are required to assemble and move this model.

# Assembly Instructions

## Step 39



Note: When placing the cabinet body flat, hold the three pieces of Part 16 by hand to keep them vertical

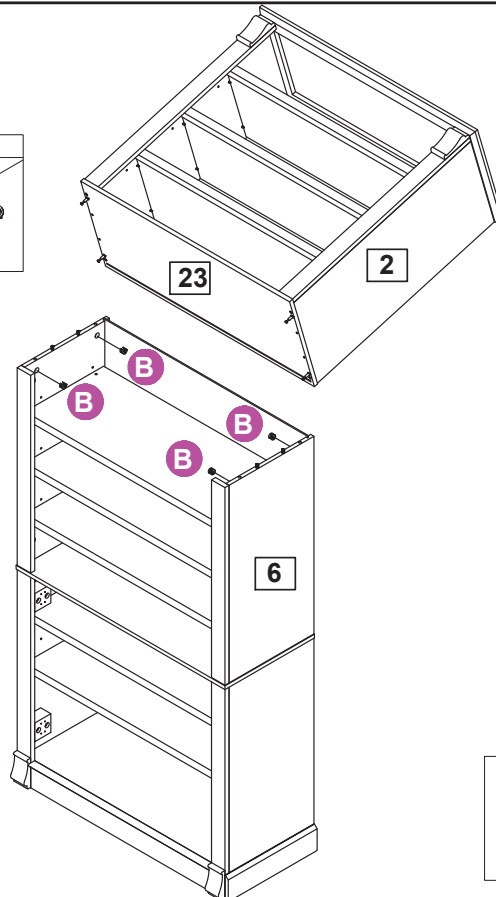
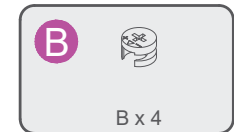
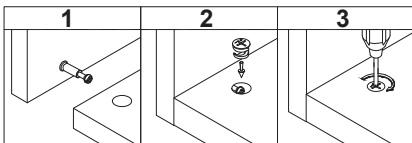


Two people are required to assemble and move this model.



Flip 90 degrees after installation.

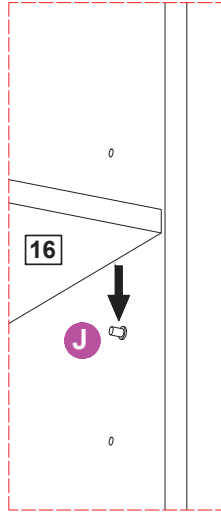
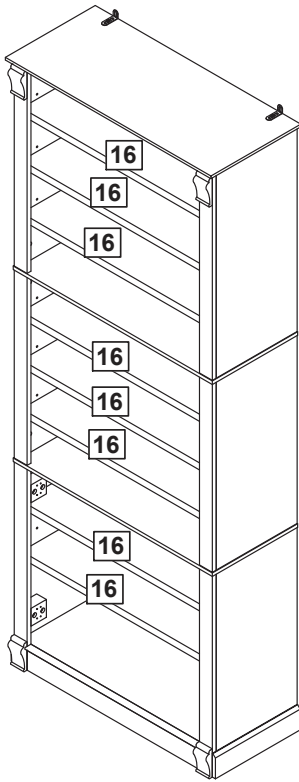
## Step 40



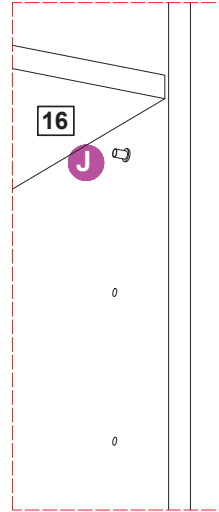
Two people are required to assemble and move this model.

# Assembly Instructions

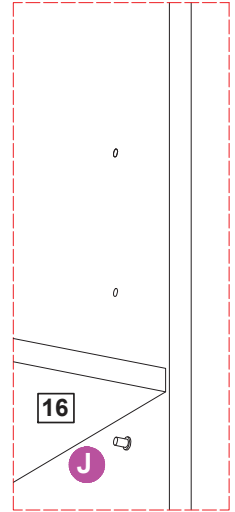
## Step 41



1. The initial installation location.

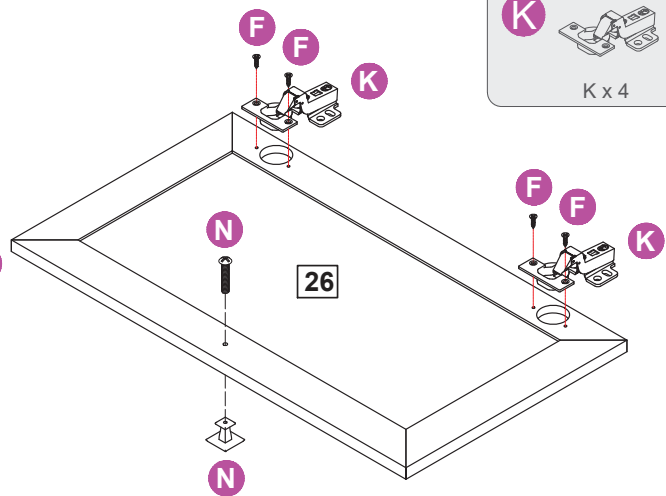
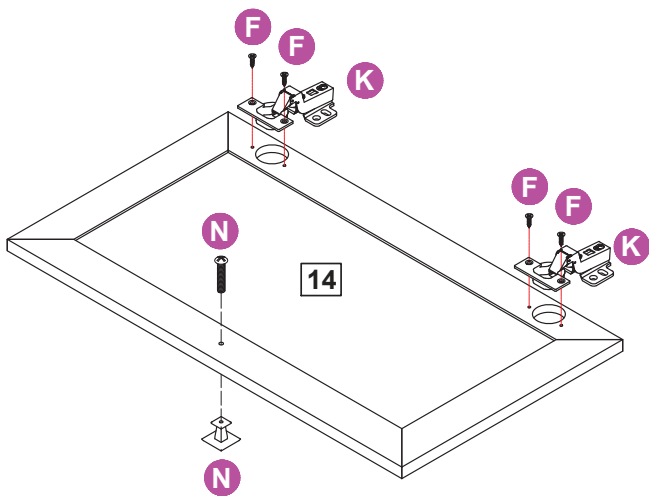


2. Can be adjusted upwards.



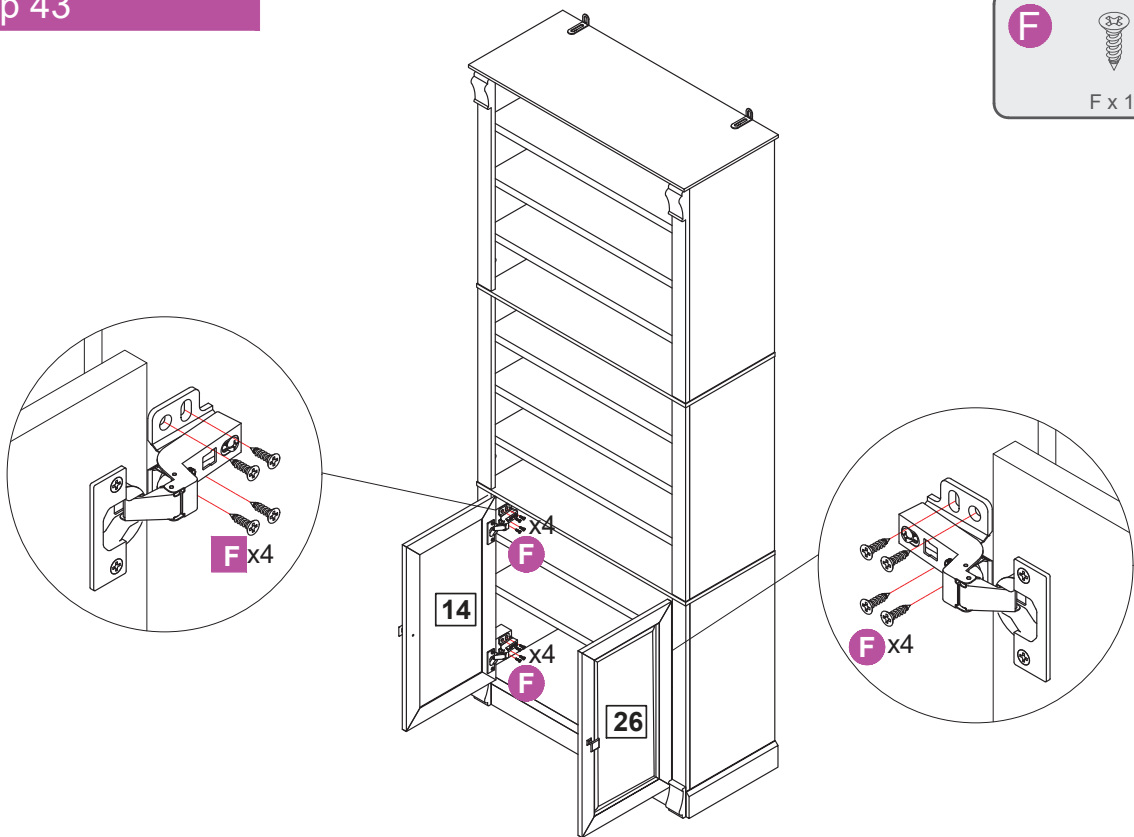
2. Can be adjusted downwards.

## Step 42

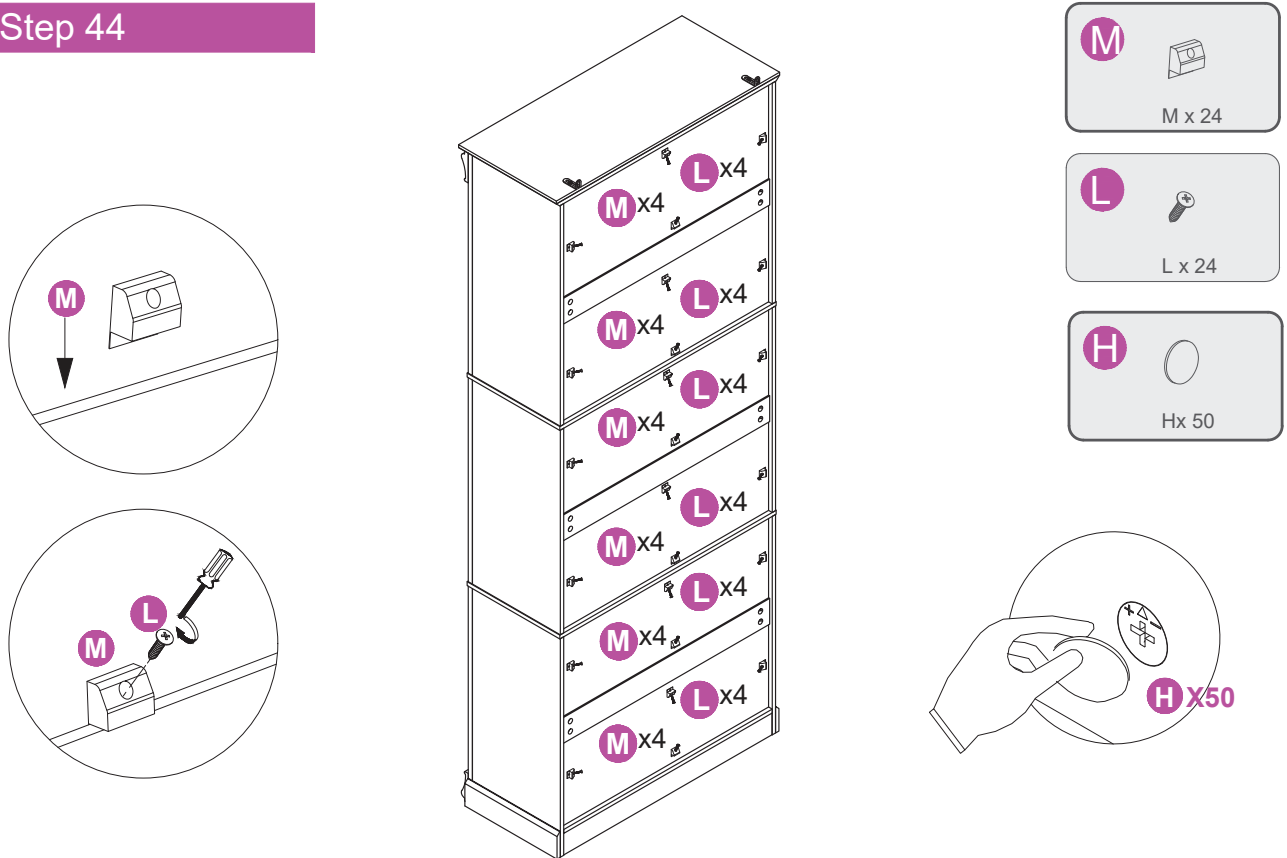


# Assembly Instructions

## Step 43

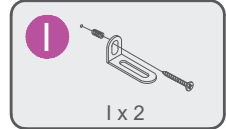


## Step 44

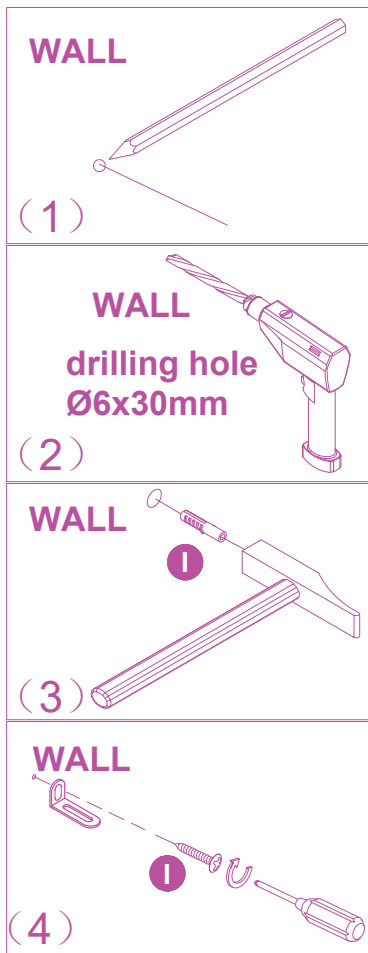


# Assembly Instructions

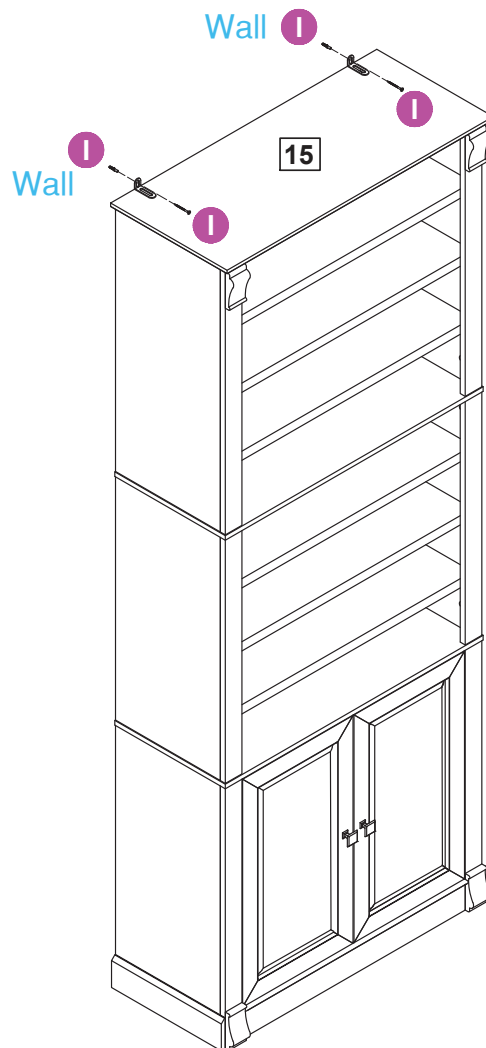
## Step 45



**DANGER** - To prevent furniture from toppling, attach, mount, bolt or otherwise secure to walls and floors.  
Do not put heavy items on top shelves.  
Do not place unstable furniture near where children play.  
An anchor kit suitable for plaster walls is included with this item, if you require a different kit consult your nearest hardware store.



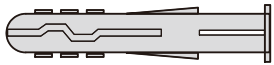
**Assembly is complete.**



# A Guide to Wall Mounting & Fixings

## Important note:

If plastic wall plugs (rawl plugs) are supplied with your product, e.g.:



- these are only suitable for use in masonry walls.

If you are in any doubt about the correct wall plugs for your wall, seek professional advice.


Failure of the product due to using the incorrect fixings is the responsibility of the installer.



**Important:** when drilling into walls always check that there are no hidden wires or pipes etc.

Make sure that the screws and wall plugs being used are suitable for supporting your unit. Consult a qualified tradesperson if you are unsure.

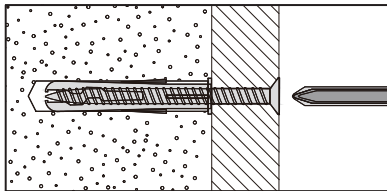
Hints:

- 1: General rule:  always use a larger screw and wall plug if you are not sure.
- 2: Ensure you use the recommended drill bit to match the wall plug and hole size.
- 3: Ensure you drill the hole horizontally; do not force the drill or enlarge the hole.
- 4: Take extra care when drilling high walls, ceilings and ceramic tiles. Ensure wall plugs are inserted beyond the thickness of the ceramic tiles to avoid the tiles splitting or cracking.
- 5: Ensure wall plugs are well fitted and are a tight fit in the drilled hole.

## Types of walls

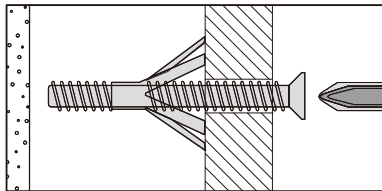
You can use one of the following types of wall plug if your walls are made of brick, breeze block, concrete, stone or wood.

No.1 "General Purpose" wall plug



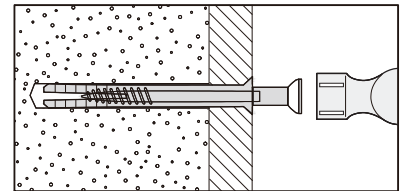
Generally aerated blocks should not be used to support heavy loads, use a specialist fitting in this case. For light loads, general purpose wall plugs can be used.

No.3 "Cavity Fixing" wall plug



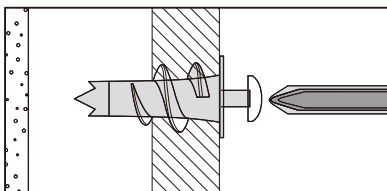
For use with plasterboard partitions or hollow wooden doors.

No.5 "Hammer Fixing" wall plug



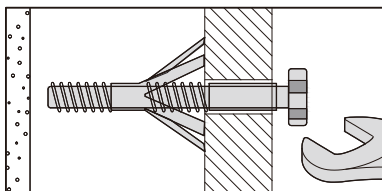
For use with walls stuck with plasterboard. The hammer fixing allows it to be fixed to the wall rather than the plasterboard. Always check the fixing is secure to the retaining wall.

No.2 "Plasterboard" wall plug



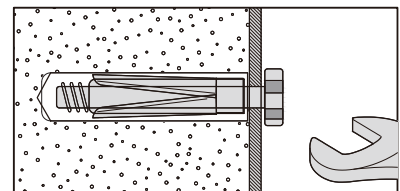
For use when attaching light loads onto plasterboard partitions.

No.4 "Cavity Fixing - Heavy Duty" wall plug



For use when fitting or supporting heavy loads such as shelving, wall cabinets and coat racks.

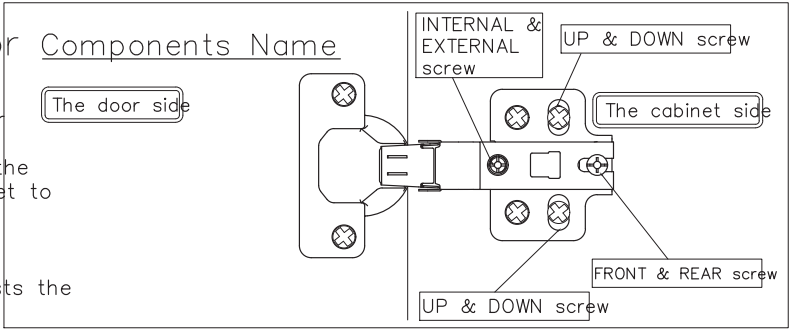
No.6 "Shield Anchor" wall plug - heavy loads



For use with heavier loads such as TV and HiFi speakers and satellite dishes etc.

# The ways to adjust the door Components Name

- Before adjusting the hinge, please check whether the cabinet is skewed.
- If the skew can not be repaired, please remove the anti-tipping device first, then adjust the cabinet to vertical position.
- Please adjust the hinge with the door open.
- Please operate it with more than 2 people, one person holds the door and the other one adjusts the screw.



Obvious gaps between doors or Doors don't look closed

1 Turn "internal & external screw" to the right can make the door approach inside. Please adjust the doors little by little.

When door is crooked

1 Rotate the "front and rear screws" to the left

2 Push the door to the cabinet

3 Rotate the "front and rear screws" to the right

Please take the following step after adjusting the "front and rear screw", the door still does not change, please turn the "internal & external screw" to the right Slightly.

When door is leaning

1 Turn "internal & external screw" to the left can make the top of the door tilted outward.

When door is higher on top

1 Turn "up & down screw" to the left

2 Lower the door's height so that 2 doors are of the same height.

3 Turn "up & down screw" to the right

※ if the door is lower on bottom, please lift up the left door slightly on step 2