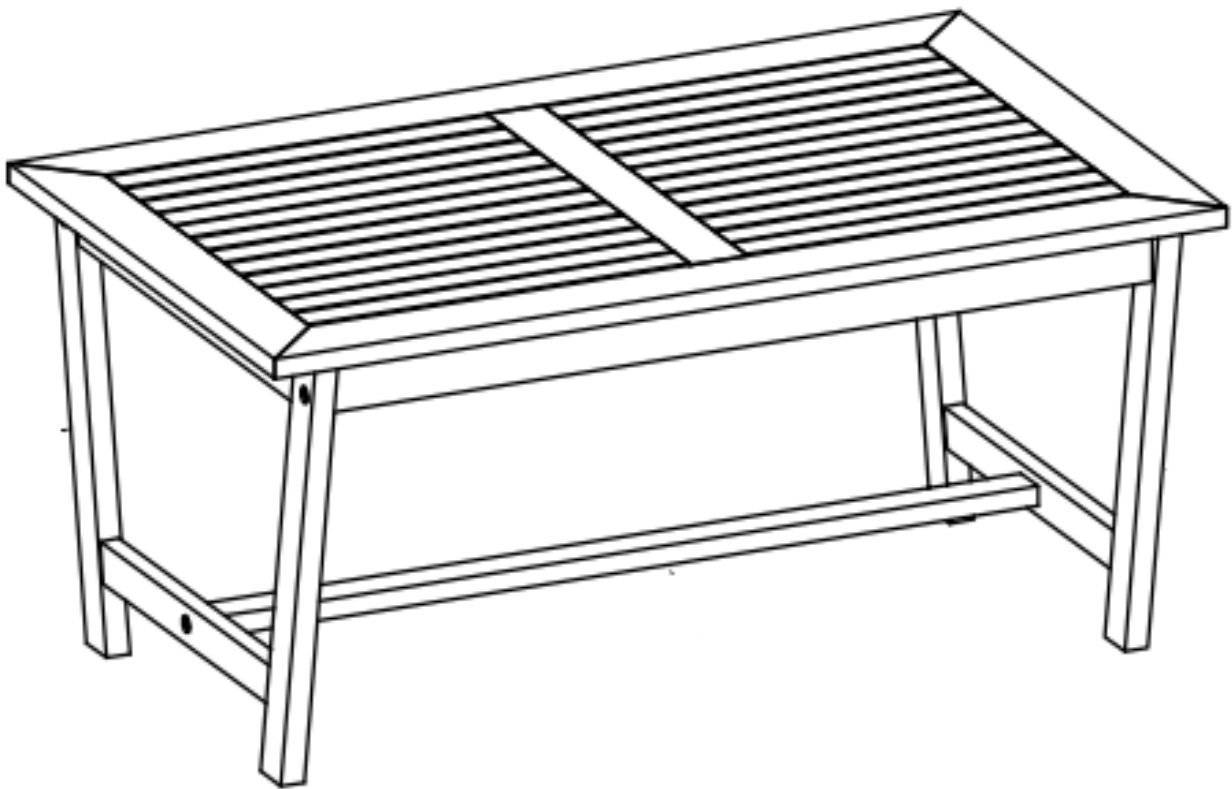


# Assembly Instructions

## TABLE

CAUTION: You must read this before you proceed.

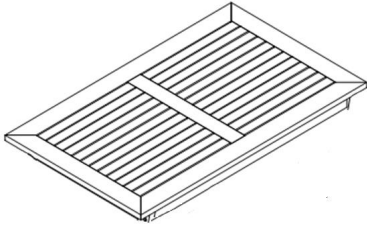
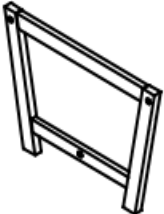
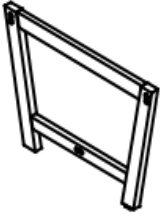
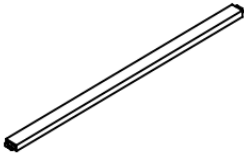


**CAUTION :** This Table is NOT a TOY.



Keep your child / children at bay in the process of assembly.

For turning the Table and to prevent damage to the Table, 02 persons may be needed to execute this action.

# Parts List

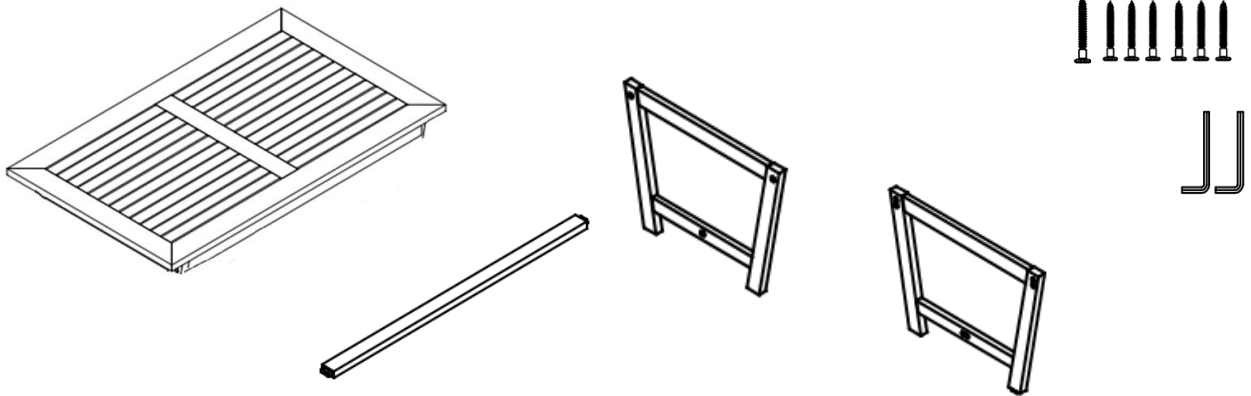
| No. | Picture   | Description      | Qty |
|-----|---|------------------|-----|
| A   |    | Table Top        | 1   |
| B1  |    | First Leg Panel  | 1   |
| B2  |   | Second Leg Panel | 1   |
| C   |  | Leg Support Bar  | 1   |

# Hardware

| No. | Picture   | Description     | Qty |
|-----|---|-----------------|-----|
| ①   |  | Allen Wrench    | 2   |
| ②   |  | Screw (M7*60mm) | 7   |

# Assembly Preparation

Before Beginning Assembly:



- Read instructions, cover to cover-



- Have 2 adults on hand for assembly-



- Do not assemble on flooring or carpet-



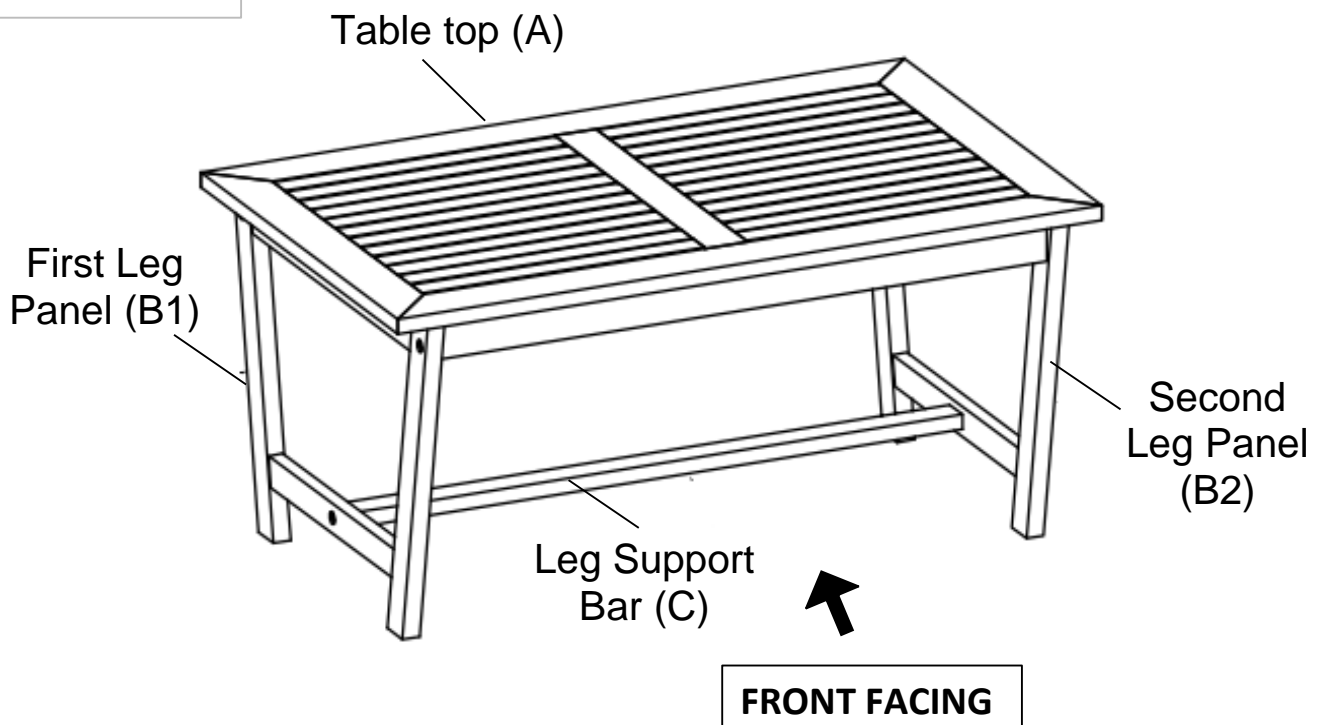
- Assemble on a clean non-marring surface (packing foam)-



- Save all packaging until finished-

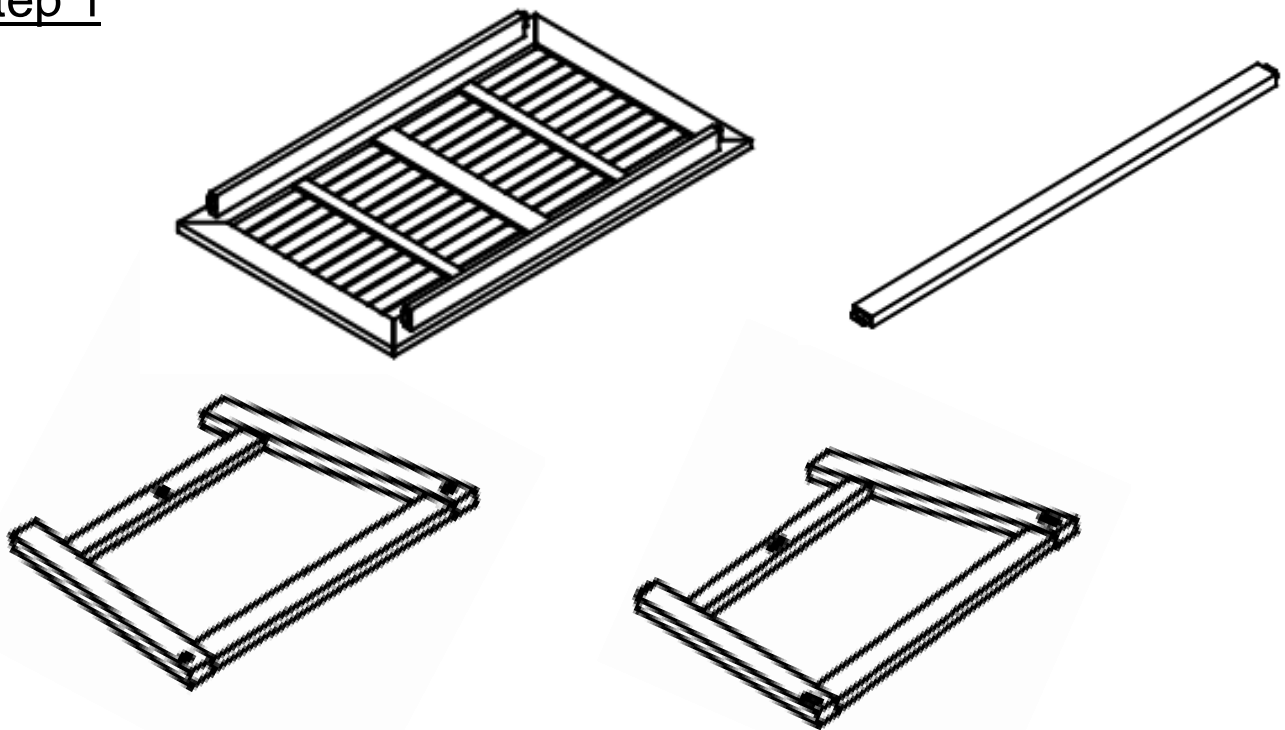
# Assembly Steps

## OVERVIEW



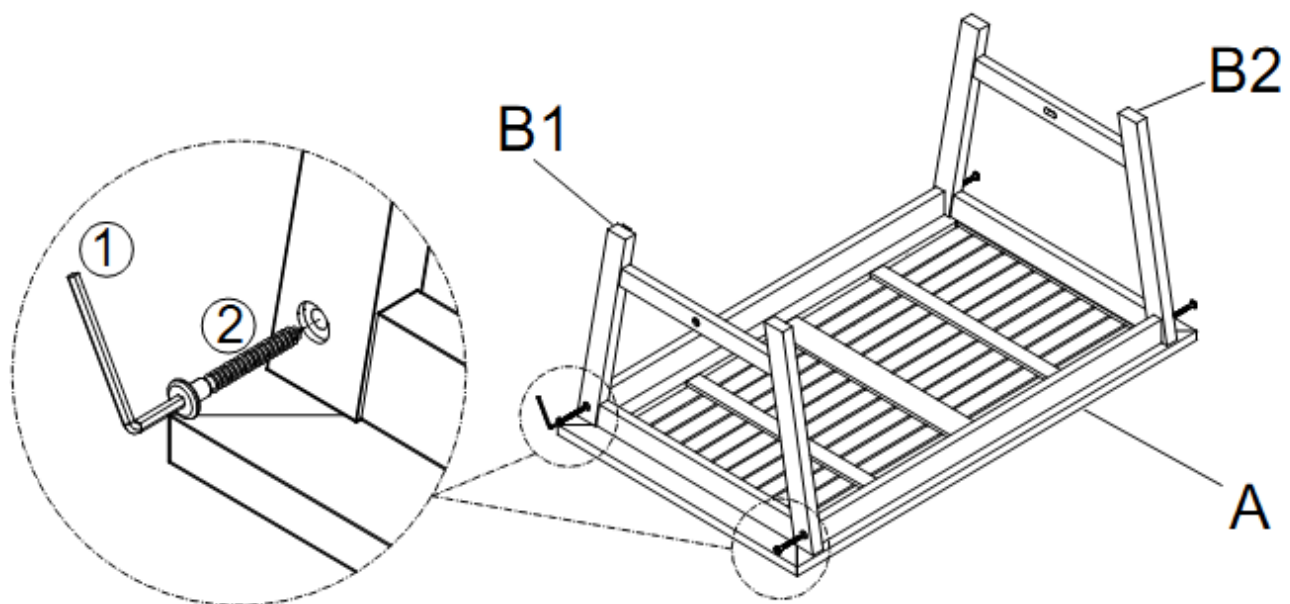
This Table has multiple parts and may require up to some 30 minutes to assemble. To give you an overview of the Table, the above picture is to help you put the various parts into perspective. Please read through the instructions here below to familiarise the parts and steps before assembly.

## Step 1



Unpack and place all parts on a clean, non-marring surface.

## Step 2



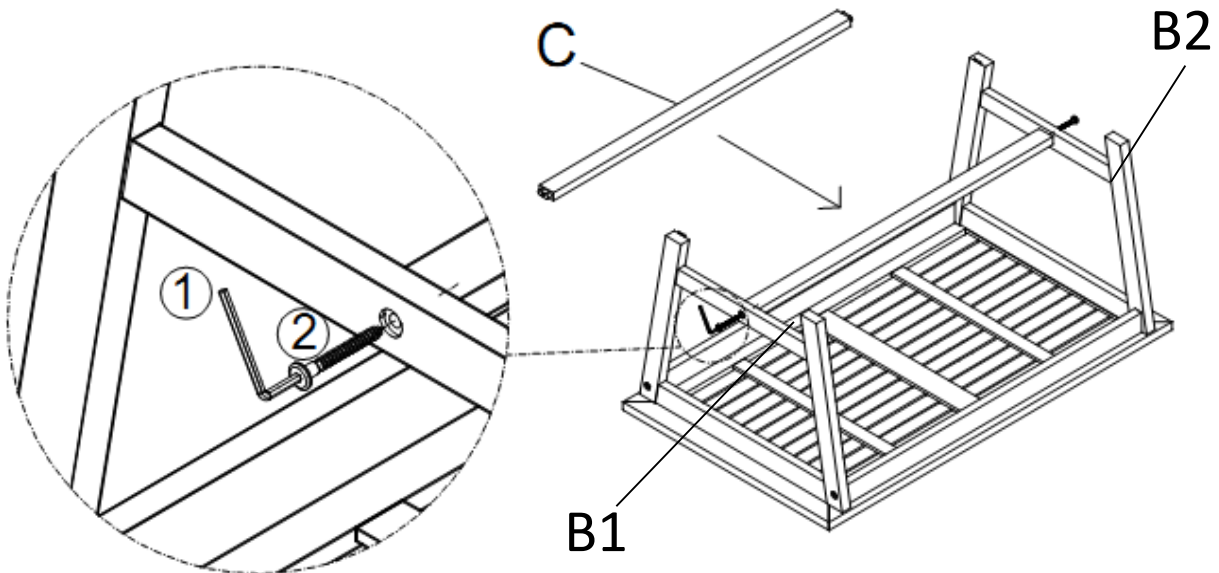
Place Table top (A) with its underside skywards onto a clean, soft surface to avoid any scratch or damage to the product.

Attach mortise of Leg Panels (B1&B2) to tenon of Table Top (A)

Secure by using Screws (2) and Allen Wrench (1)

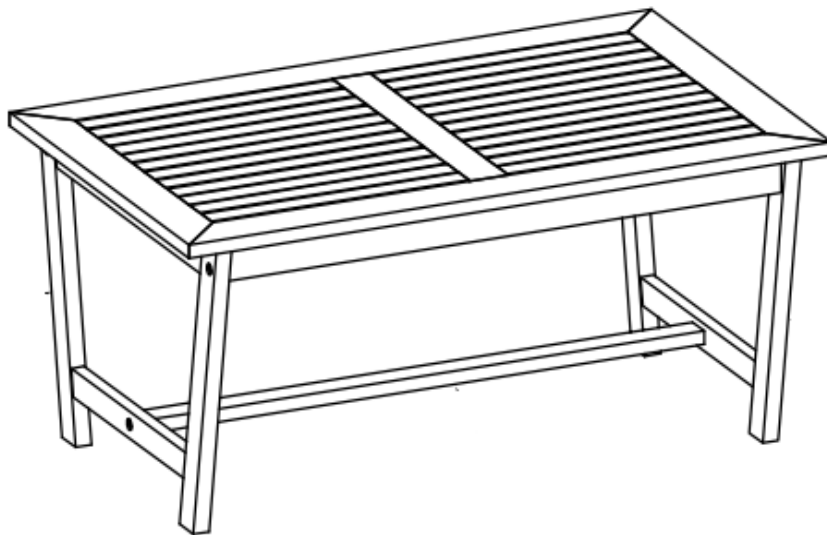
**Do not fully tighten the Screws.**

### Step 3












Position Leg Support Bar (C) into First Leg Panel (B1) and Second Leg Panel (B2) as picture shown  
Using Screws (②) and Allen Wrench (①) to connect the Support Bar (C) with two Leg Panels (B1&B2).  
**Do not fully tighten the Screws.**

### Step 4



With assistance from your adult partners, turn the Table back to normal flat ground  
EXERT pressure, floorwards, onto the Table.  
This pressure will help the Legs and Table Top reach alignment at all joints.  
Check for wobbles.  
In a sequential manner, gradually tighten all Screws until evenly secured.  
Inspect the Table and make sure all parts are adequately connected.  
Your Table is ready for use.  
**This Table can only be used on a flat, level surface.**

## Care & Maintenance

- ⊗  ● Do not put hot items directly on furniture surface.
  - ⊗  ● Do not clean furniture with harsh cleansers or polish.
  - ✓  ● To obtain the longest lifespan of your outdoor products, minimizing exposure to direct sunlight is recommended.
  - ⊗  ● Children should not climb or jump on the furniture.
  - ⊗  ● Do not write on furniture without a padded barrier to protect the surface.
  - ✓  ● To obtain the longest lifespan of your outdoor products, avoid extended and lengthy exposure to rain, snow, and direct sunshine. Whenever possible cover the product and /or place under patio or awnings.
  - ⊗  ● Not for commercial use. For residential use only.
  - ⊗  ● Stains may be removed with mild soap solution and damp cloth.
  - ✓  ● Dust and pick-up spills using a clean, non-colored, lint-free cloth .
-