

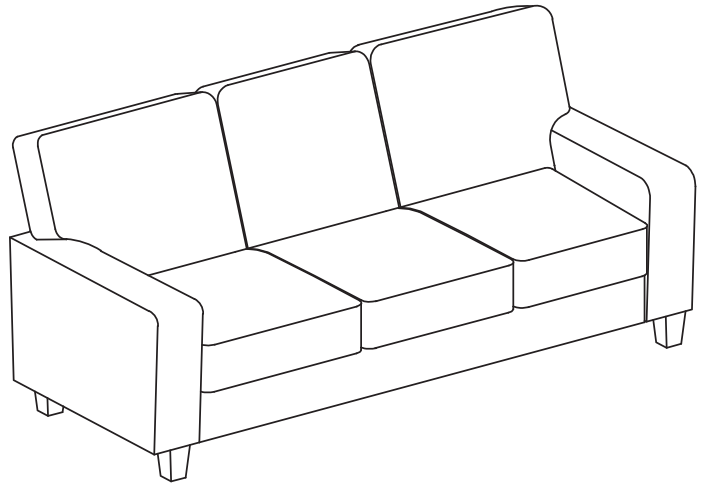


Always Comfortable.™

ASSEMBLY INSTRUCTIONS

Sofa

So Comfortable,
You'll feel the difference
the moment you sit down.



Should you prefer to
speak with a customer
service representative,
you may call toll free :

1-855-372-2315 U.S. 6am - 5pm PST
0-800-051-6775 U.K. 2pm - 1am GMT

Guidelines

FAILURE TO FOLLOW THESE WARNINGS WHEN IN USE COULD RESULT IN INJURY

- Do not stand on the item or use as a step ladder
- Do not use this item unless all bolts and screws are firmly secured and fastened.
- Check all bolts and screws every 90 days. As necessary tighten if any are loose.
- Lift up then move. Pushing over or dragging this product can result in an injury or cause damage to the floor and outdoor piece.

Pre-Assembly Preparation:

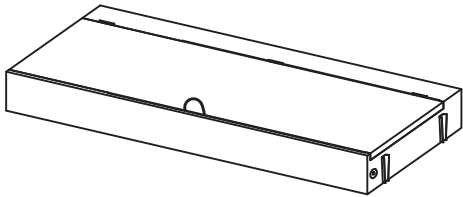
Please read through this instruction booklet before beginning assembly of this item.

Two adults are recommended for assembly.

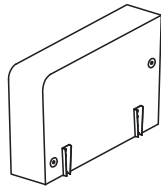
- Clear out the space for assembly and lay out all parts on Parts List, extra room will allow you to easily determine if all the pieces are present.
- Save all packing materials until assembly is complete to avoid accidentally discarding smaller parts or hardware.
- Keep small parts and pieces away from children and pets until fully assembled.
- Please check for any loose screws and tighten them before you use.

WARNING: DO NOT LET CHILDREN PLAY IN OR AROUND THE UNIT DURING ASSEMBLY DUE TO THE POSSIBLE RISK OF INJURY.

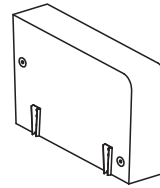
Parts List



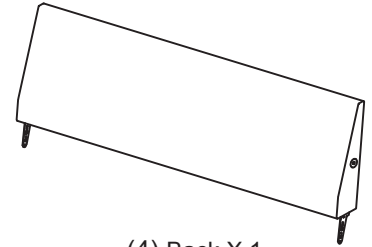
(1) Seat Frame X 1



(2) Left Roll Arm X 1



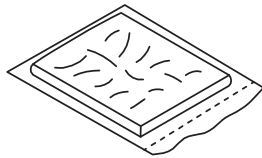
(3) Right Roll Arm X 1



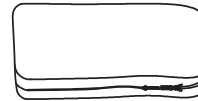
(4) Back X 1



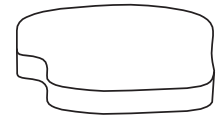
(5) Legs x 4



(6) Seat Cushions X 3

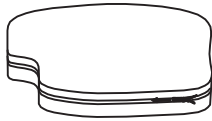


(7) Seat Cushion Covers X 3

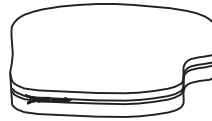


(8) Back Cushions X 2

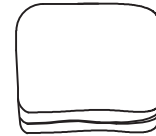
Parts List



(9) Left Back Cushion Cover X 1



(10) Right Back Cushion Cover X 1



(11) Middle Back Cushion X 1



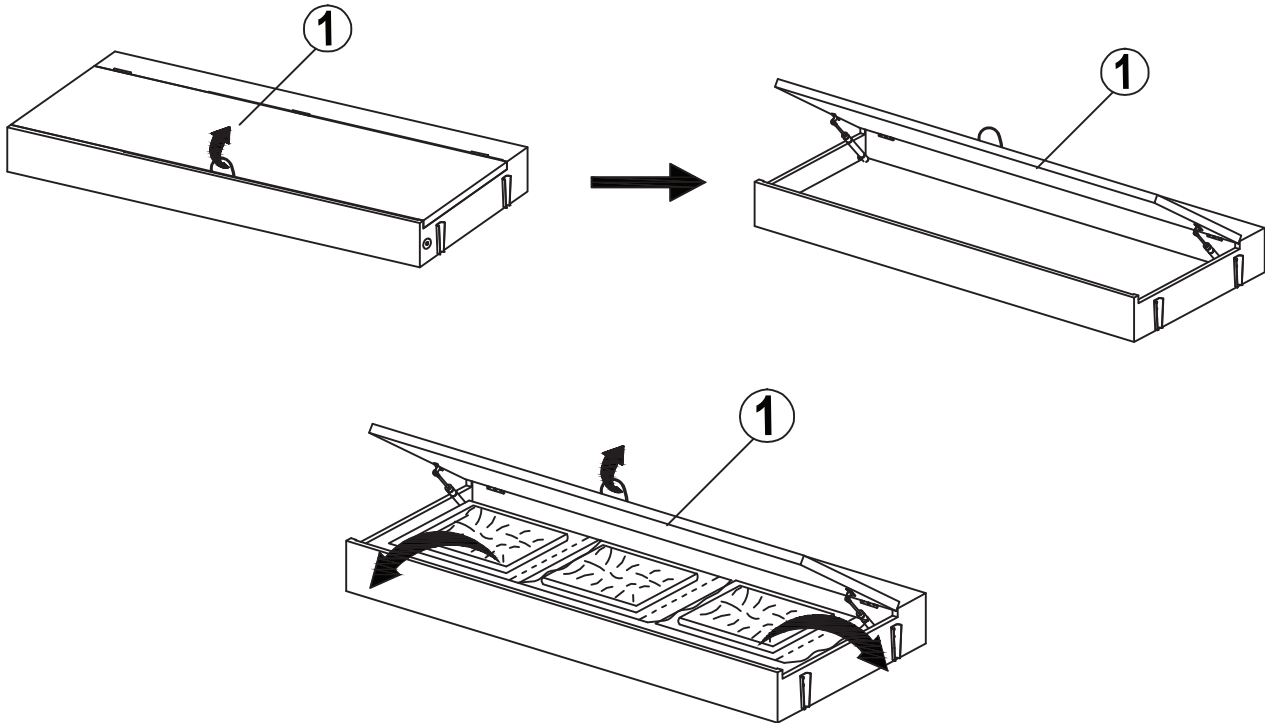
(12) Middle Back Cushion cover X 1



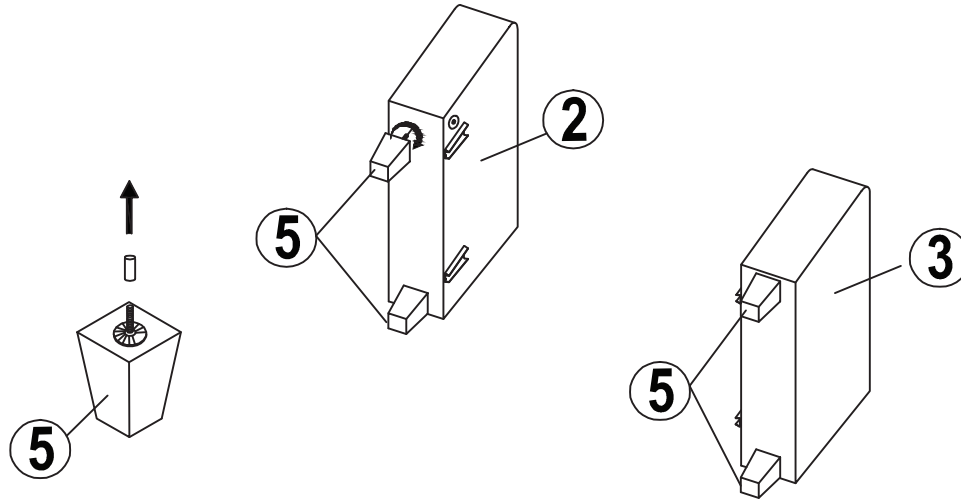
(A) Thumb Bolts X 4

Step 1--

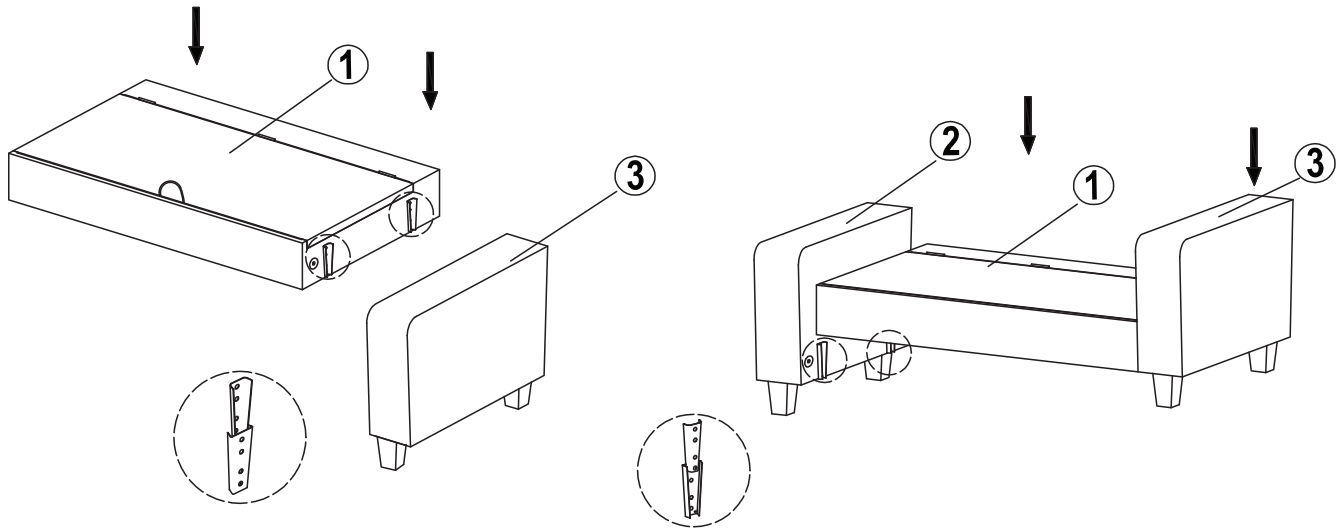
- 1.Ensure all parts have been removed from the carton and place on a protected surface or carpet.
- 2.Open the Seat (1) bottom panel and check all parts and hardware are the same as the “Parts List”.



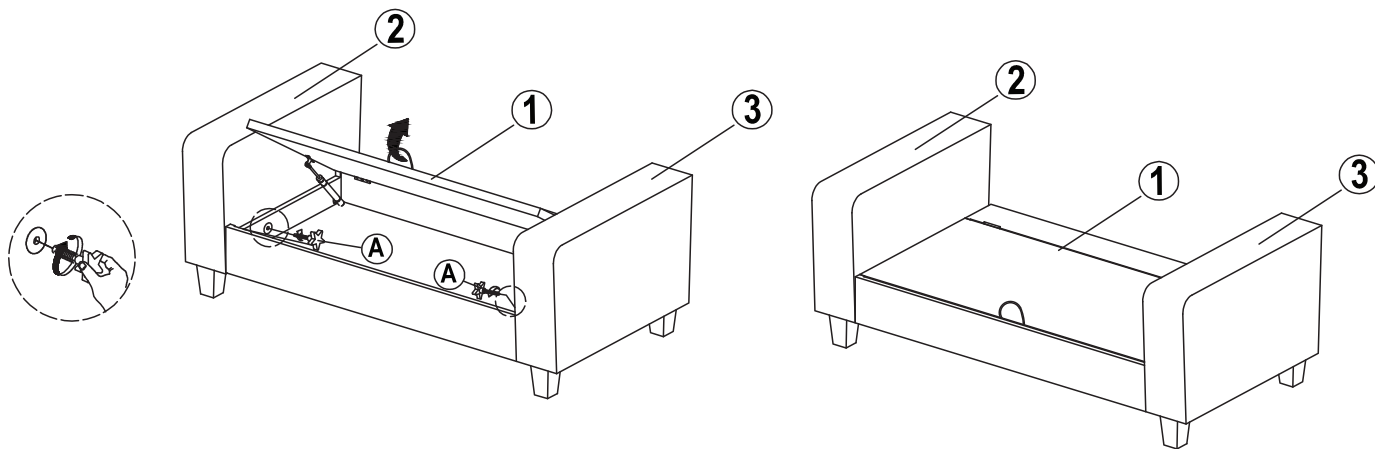
Step 2-- 1.Remove the plastic caps on the threaded boles of each Wood Legs (5) as image. Attach the Wood Legs (5) to the Right Arm (3) & Left Arm (2).



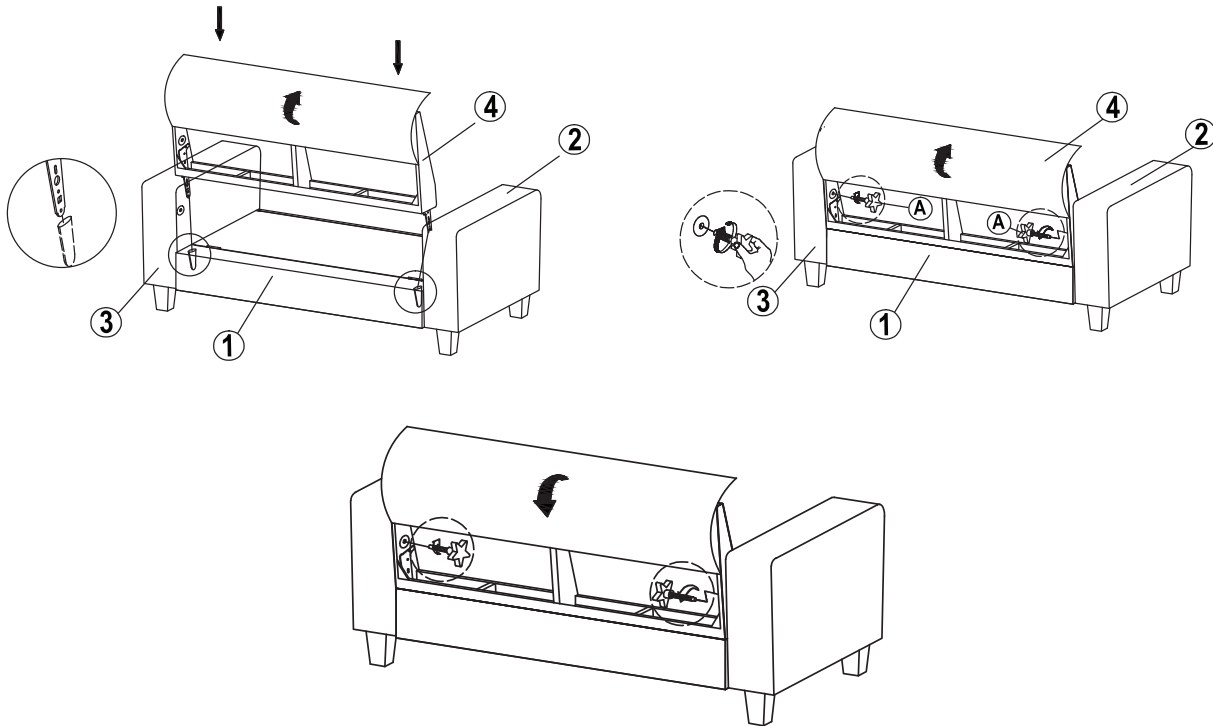
Step 3-- 1. Attach Seat Frame (1) to Right Arm (3) by sliding the receivers into the mechanism posts located on sides of Arm (3), press down Seat Frame (1) then move Seat Frame (1) to attach to the Left Arm (2), press down on both sides of the Seat Frame (1) to firmly secure.



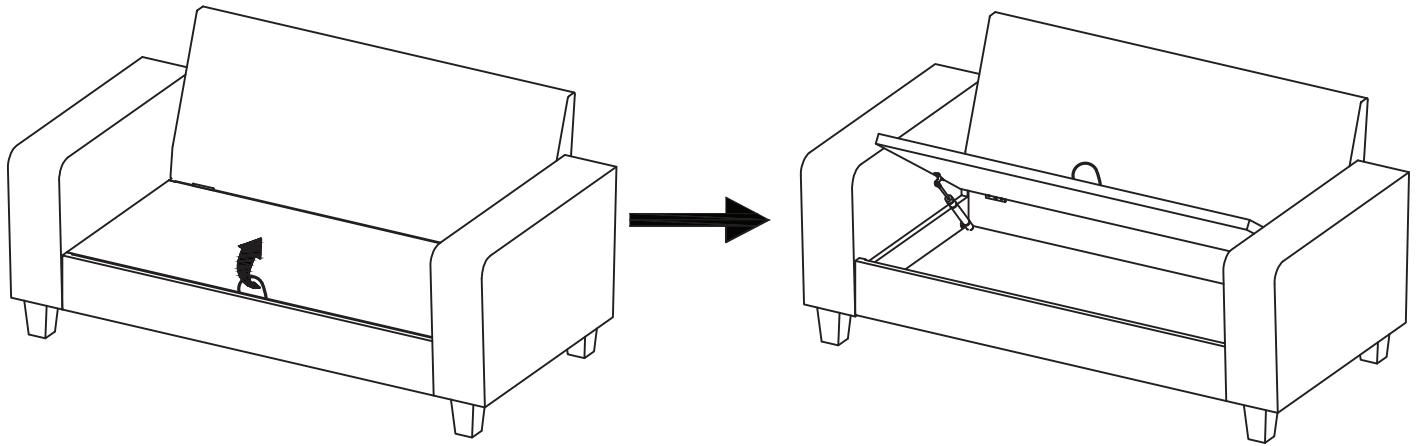
Step 4-- 1. Open the Seat (1) bottom panel. Insert Thumb Bolts (A) x 2 into holes where sides of Seat Frame (1) and tighten the bolts to Arms (2) & (3).



- Step 5--**
1. Slide the Back Frame (4) into the Seat Frame (1) & align the bracket on the Back Frame (1) until fully engaged.
 2. Open back cover then insert thumb bolts (A) x 2 into holes where sides of Back Frame (4) into holes where sides of Arms (2) & (3) and tighten the bolts.
 3. Secure the back cover to the hook & loop strip.



Step 6-- 1.Please noted the Seat bottom panel can be lift for storage.



Step 7--

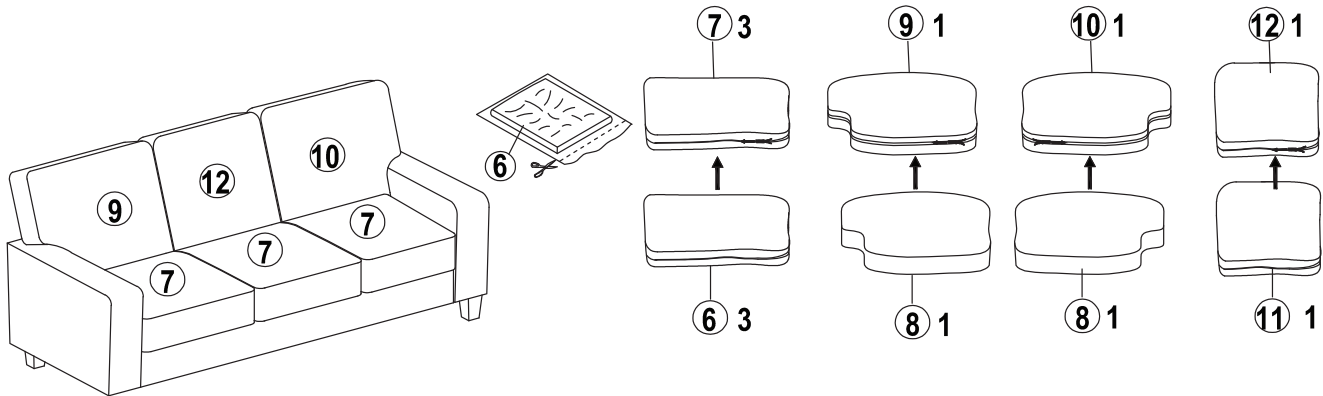
1. Open the vacuum packed Seat Cushions (6) x3 by carefully cutting the bags with a pair of scissors. Insert the Seat Cushions (6) into the appropriate Seat Covers (7) x3 as image (1). Ensure the cushion cover completely covers the filler as image (2) When closing the zipper ensure as image (3) the cushion is compressed, this will allow the zipper to close with ease.

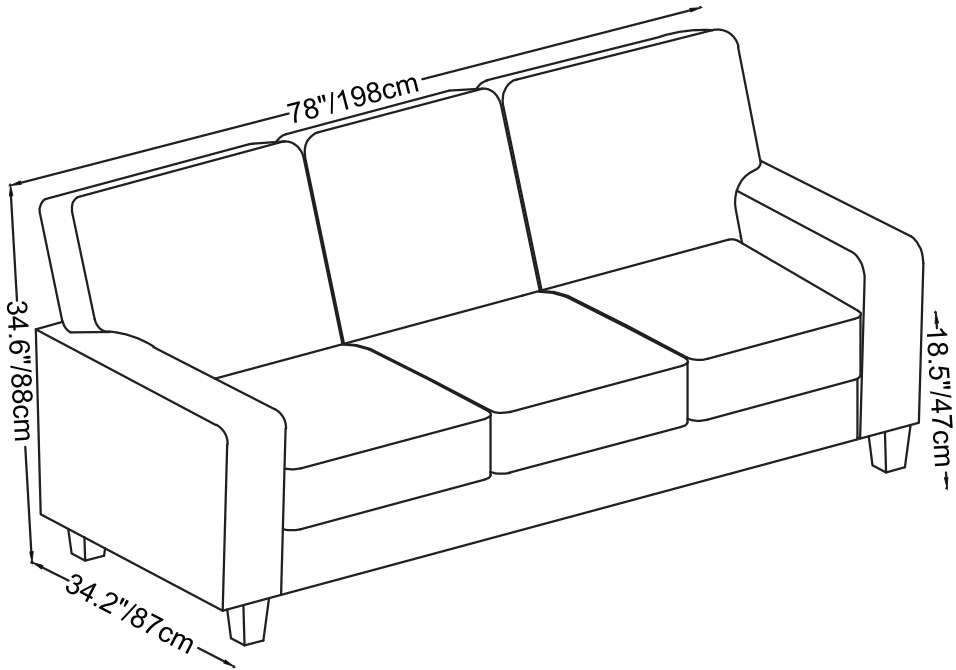
2. Insert the Back Cushions (8) x 2 into the appropriate Back Covers (9) & (10).

3. Insert the Middle Back Cushions (11) into the appropriate Middle Back Covers (12).

4. Fluff all cushions to allow them to expand.

5. Lastly, position all Cushions on the sofa. Seat and back cushions may take 24-48 hours to fully expand, which will allow wrinkles and indentations caused by packing to fade.





Product Dimension

Limited Warranty

The product you have purchased is warranted against defects in material and workmanship while owned by the "Original Purchaser". The term "Original Purchaser" is defined as that party or entity which purchases these products from an authorized dealer or retailer as shown by the original sales receipt. This warranty does not apply to "as is" or previously owned products.

The manufacturer warrants its products to be free from defects in materials and workmanship (normal wear and tear, fading and stretching excepted), for one year from the date of purchase, except as provided below under the limited warranty.

This warranty gives you specific rights, and you may also have other rights, which vary from state to state (or country to country). All warranties are limited to the Original Purchaser for normal use by a maximum of two users. Total weight capacity per chair is 250 pounds for a single user.

The exceptions or exclusions to this warranty are:

- Upholstery material and foam cushion material is warranted against defects in material and workmanship for a period of one year, beginning on the date of purchase as shown on the original sales receipt.
- Any warranty claim that is submitted after the limited warranty period, or without proper proof of purchase will not include the cost of parts, labor, or delivery on the warranted parts within a reasonable amount of time. We reserve the right to require damaged parts to be returned to us upon request. Natural markings such as scars, brands, grain variations, wrinkles, color variations, etc. will be considered normal characteristics and not construed as defects.
- For claims or questions concerning this warranty, please contact the Customer Service Department on the web at www.truecustomersupport.com. Be prepared to provide your name, address, daytime phone number, the model and purchase order number of the product, date of purchase, and the store where it was purchased. The manufacturer requires that the original sales receipt be submitted with all requests to confirm that you are the Original Purchaser according to our written warranty.