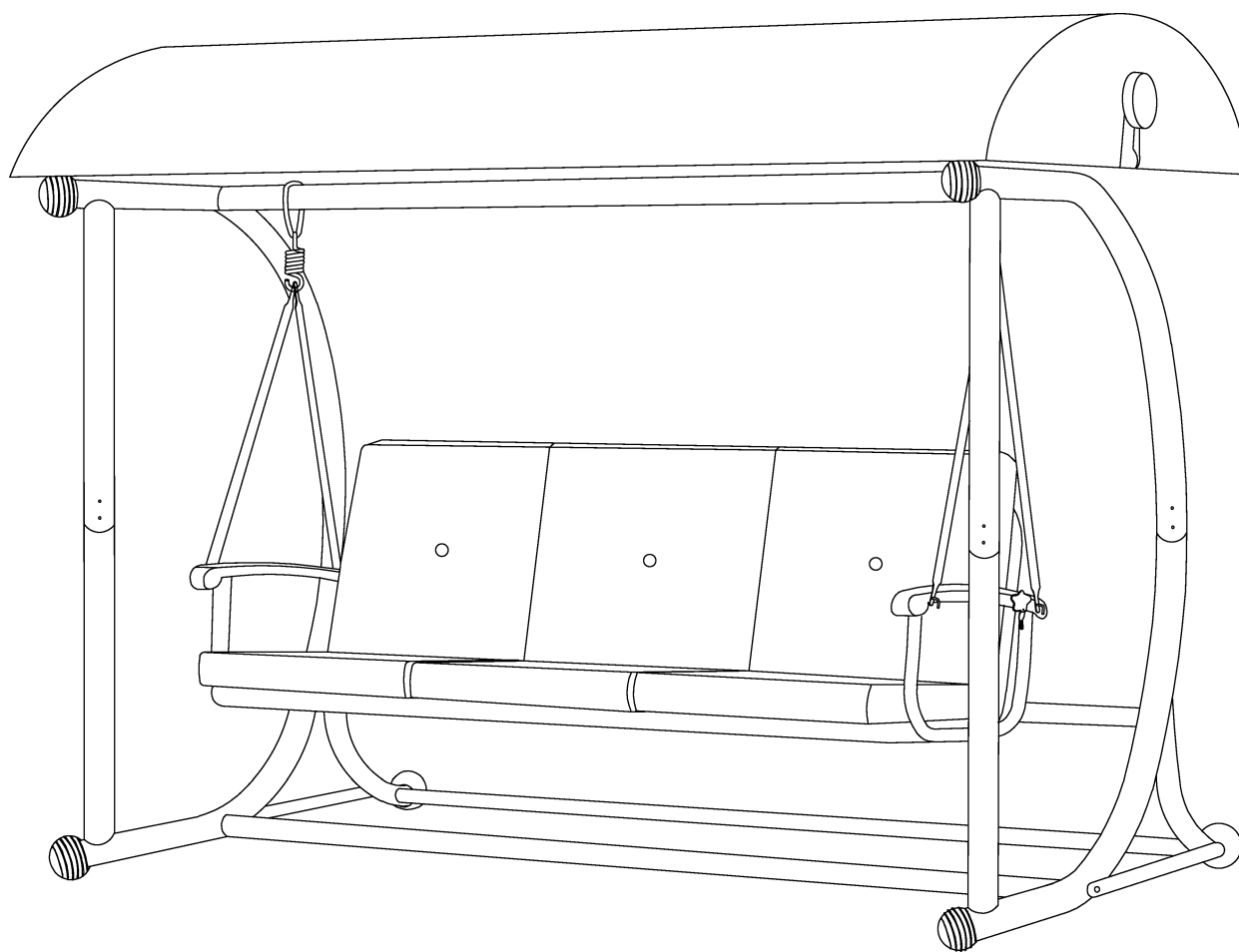
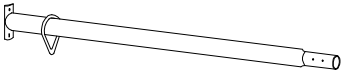
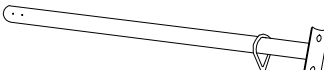
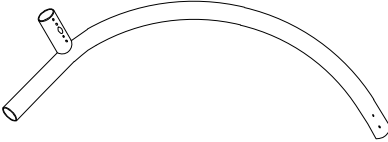
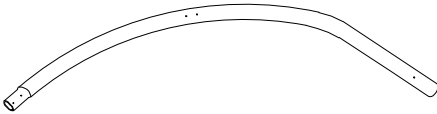
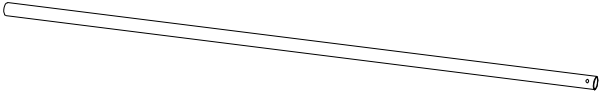
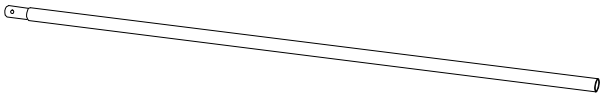


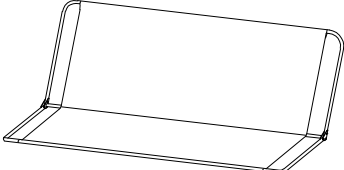


ASSEMBLY INSTRUCTION

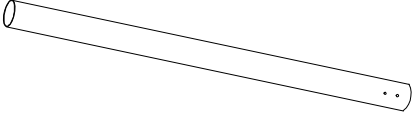
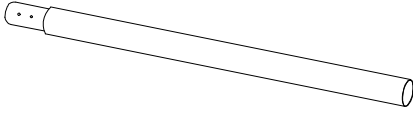
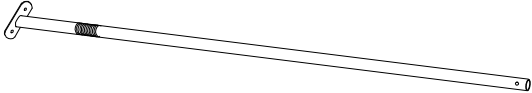
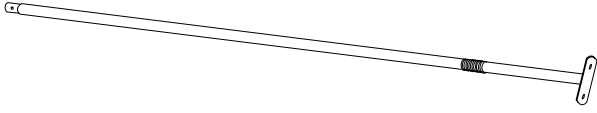
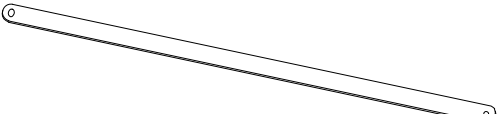

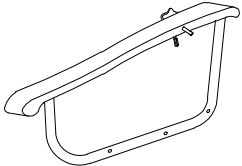
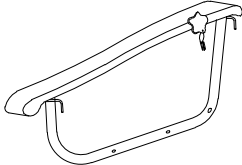
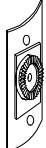
Porch Swing With Stand



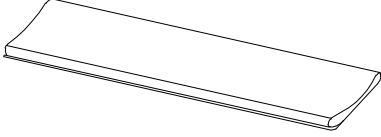
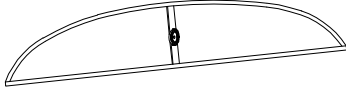
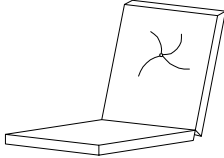
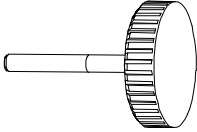
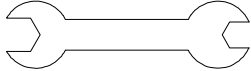
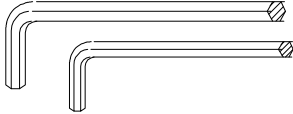
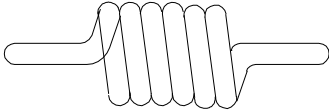
Component List

LABEL	ILLUSTRATION	DESCRIPTION	QTY
A1		Right top pole	1
A2		Left top pole	1
B1		Top bend pipe	2
B2		Rear elbow	2
C1		Horizontal connecting rod	2
C2		Horizontal connecting rod	2
D1		Short suspension rod	2
D2		Long suspension rod	2
E		Seat board	1



Component List

LABEL	ILLUSTRATION	DESCRIPTION	QTY
F1		Front vertical pipe	2
F2		Front vertical pipe	2
G1		Rear foot horizontal	1
G2		Rear foot horizontal	1
H		Side sole continuous piece	2
I		Rear bottom support tube	2
J		Right armrest	1
K		Left armrest	1
L		Top seat	2



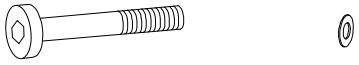
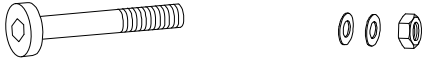
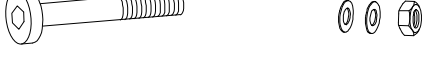

Component List

LABEL	ILLUSTRATION	DESCRIPTION	QTY
M		Ceiling cloth	1
N		Ceiling bracket	2
O		Seat cushion	3
S		Large handwheel	2
T		Bilateral opening	1
U		Allen key	2
V		Cross spring	2

Component List

LABEL	ILLUSTRATION	DESCRIPTION	QTY
Y		Rubber pad	4
Z		Foot blockage	6

Hardware List

LABEL	ILLUSTRATION	DESCRIPTION	QTY
1	 M8X75MM	Bolts+Washers +Nut	6
2	 M8X70MM	Bolts+Washers +Nut	4
3	 M8X70MM	Bolts+Washers	8
4	 M8X60MM	Bolts+Washers +Nut	10
6	 M6X60MM	Bolts+Washers +Nut	4
8	 M6X35MM	Bolts+Washers +Nut	3

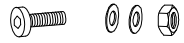
1

4×6PCS



M8X60MM

8×3PCS



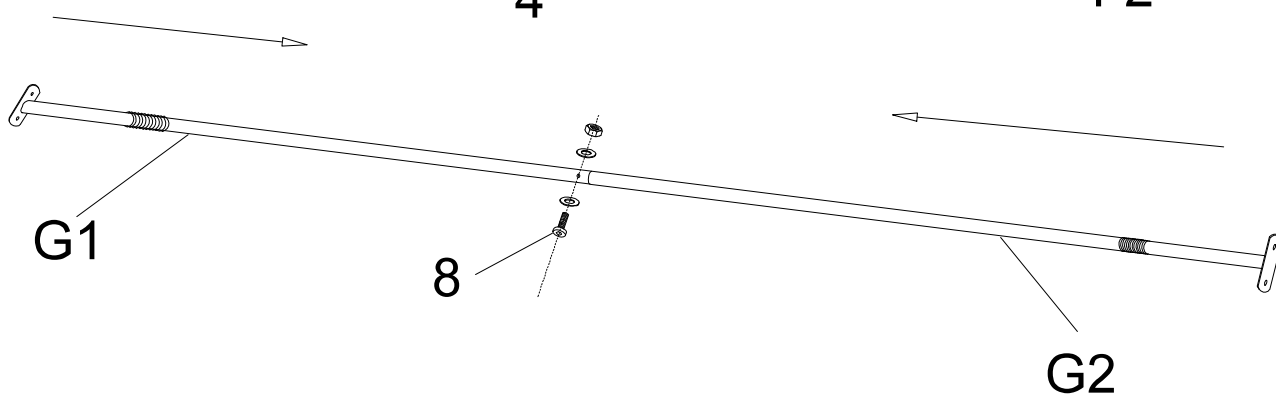
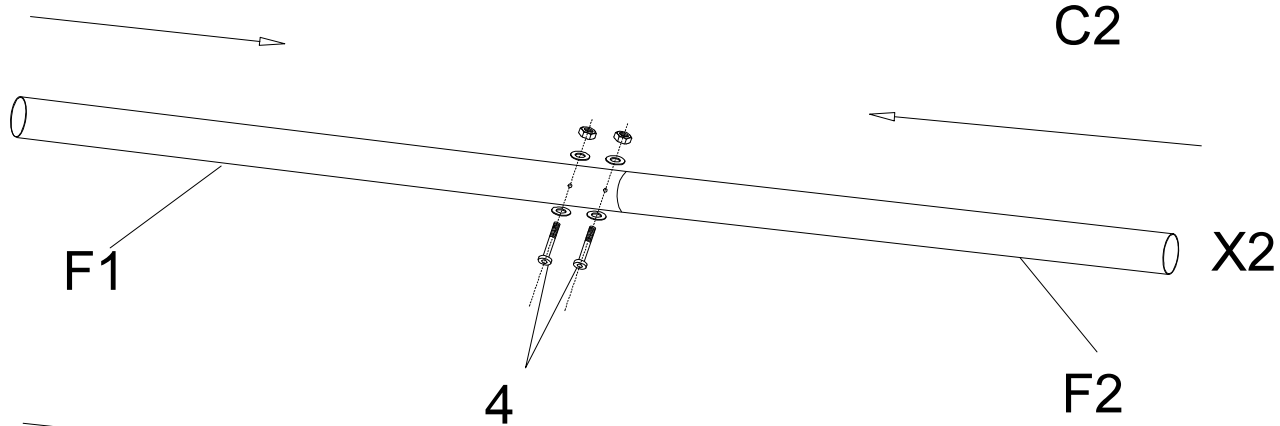
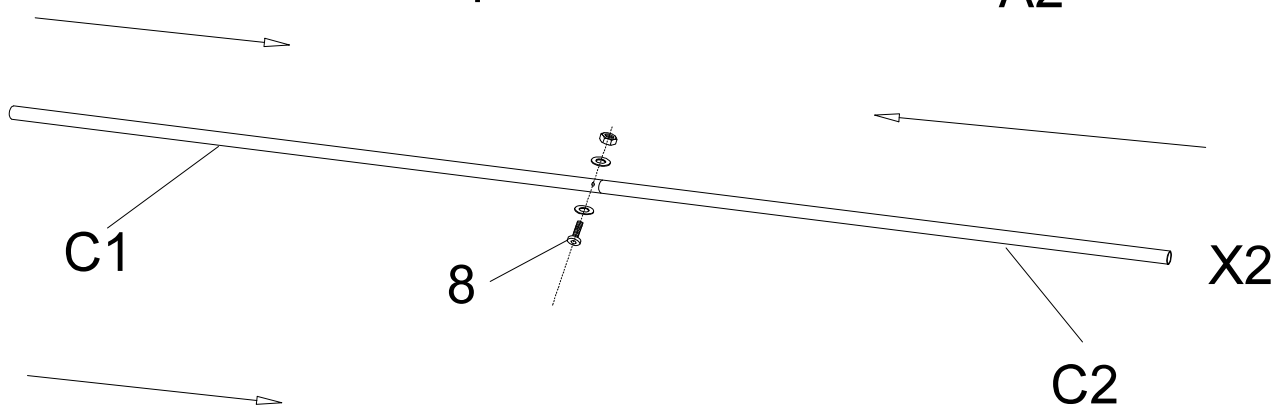
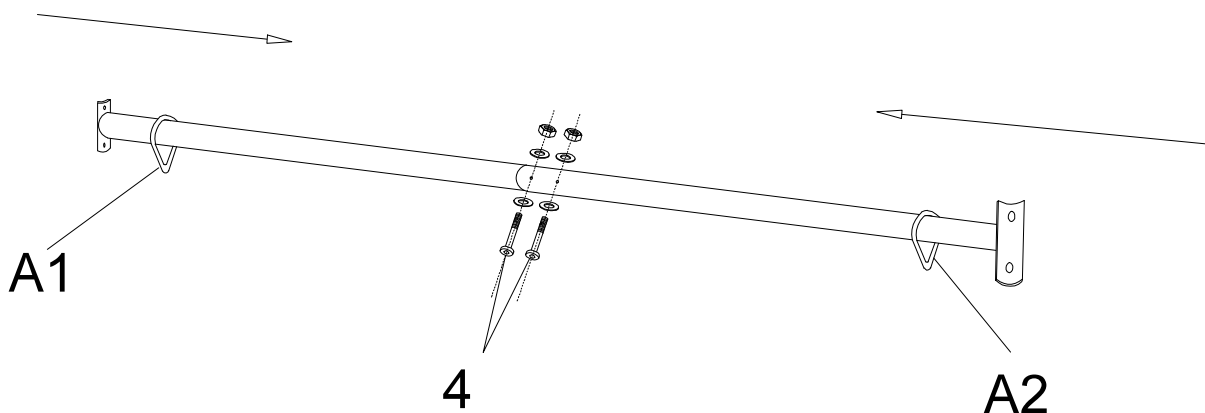
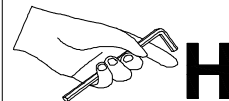
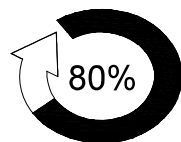
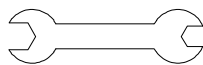
M6X35MM

U×2PCS




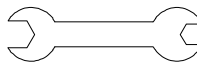




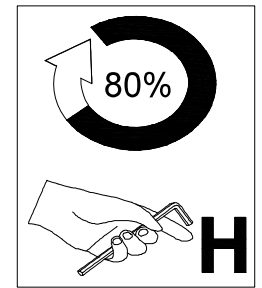
M6/M8

T×1PC



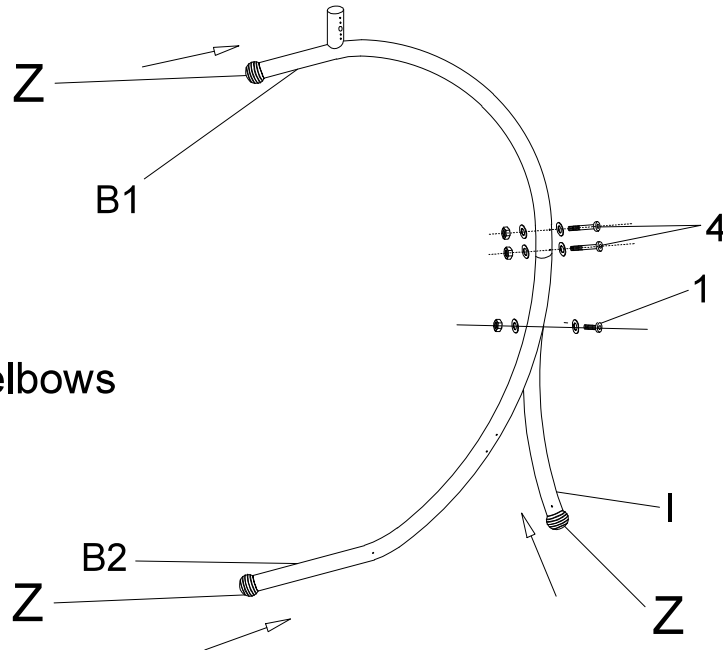
2

4×4PCS  M8X60MM	3×4PCS  M8X70MM	1×2PCS  M8X75MM
T×1PC 	U×1PC  M8	Z×6PCS 



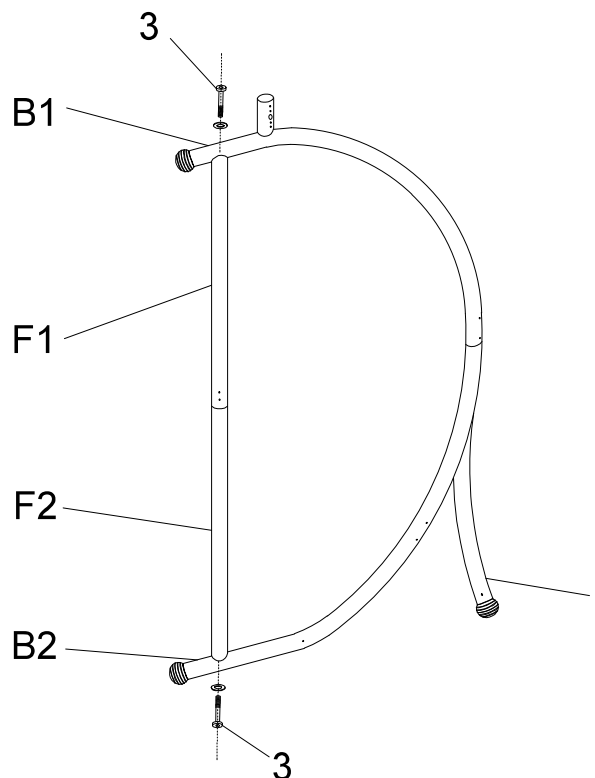
Step 1

Assembling elbows



Step 2

Install vertical pipe



3

2×4PCS



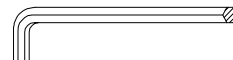
M8X70MM

6×4PCS



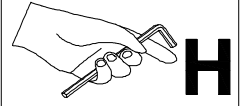
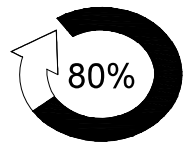
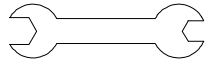
M6X60MM

U×2PCS



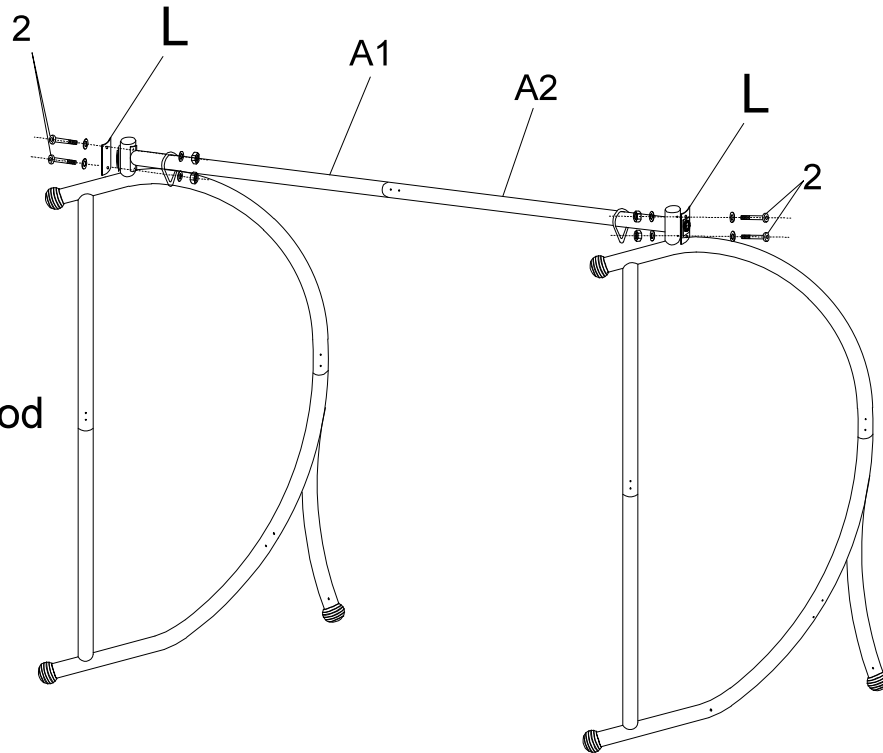
M6/M8

T×1PC

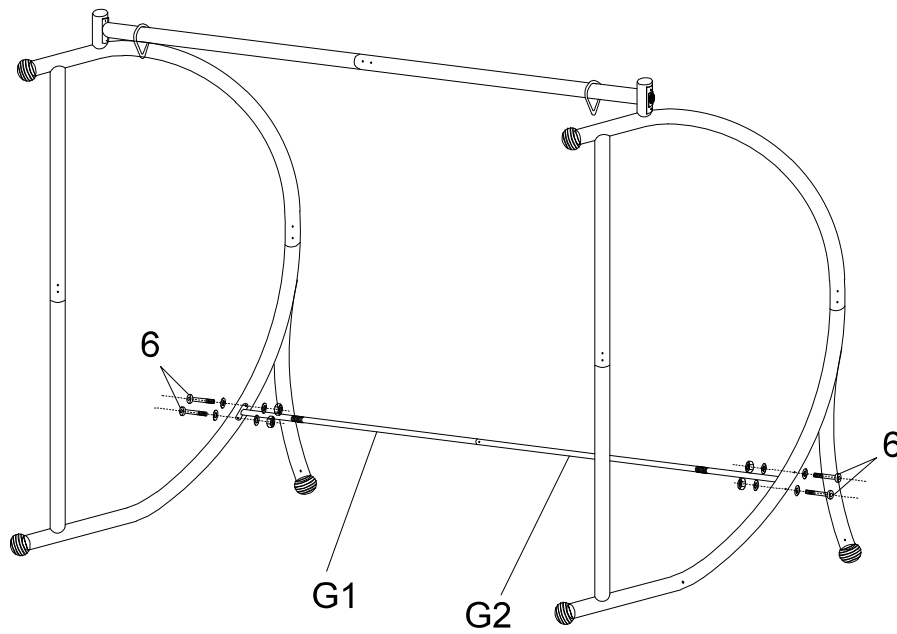


Step 1



Connecting rod

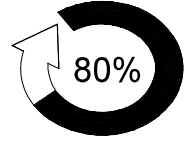


Step 2

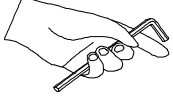


4

3×4PCS  M8X70MM	U×1PC  M8
--	---

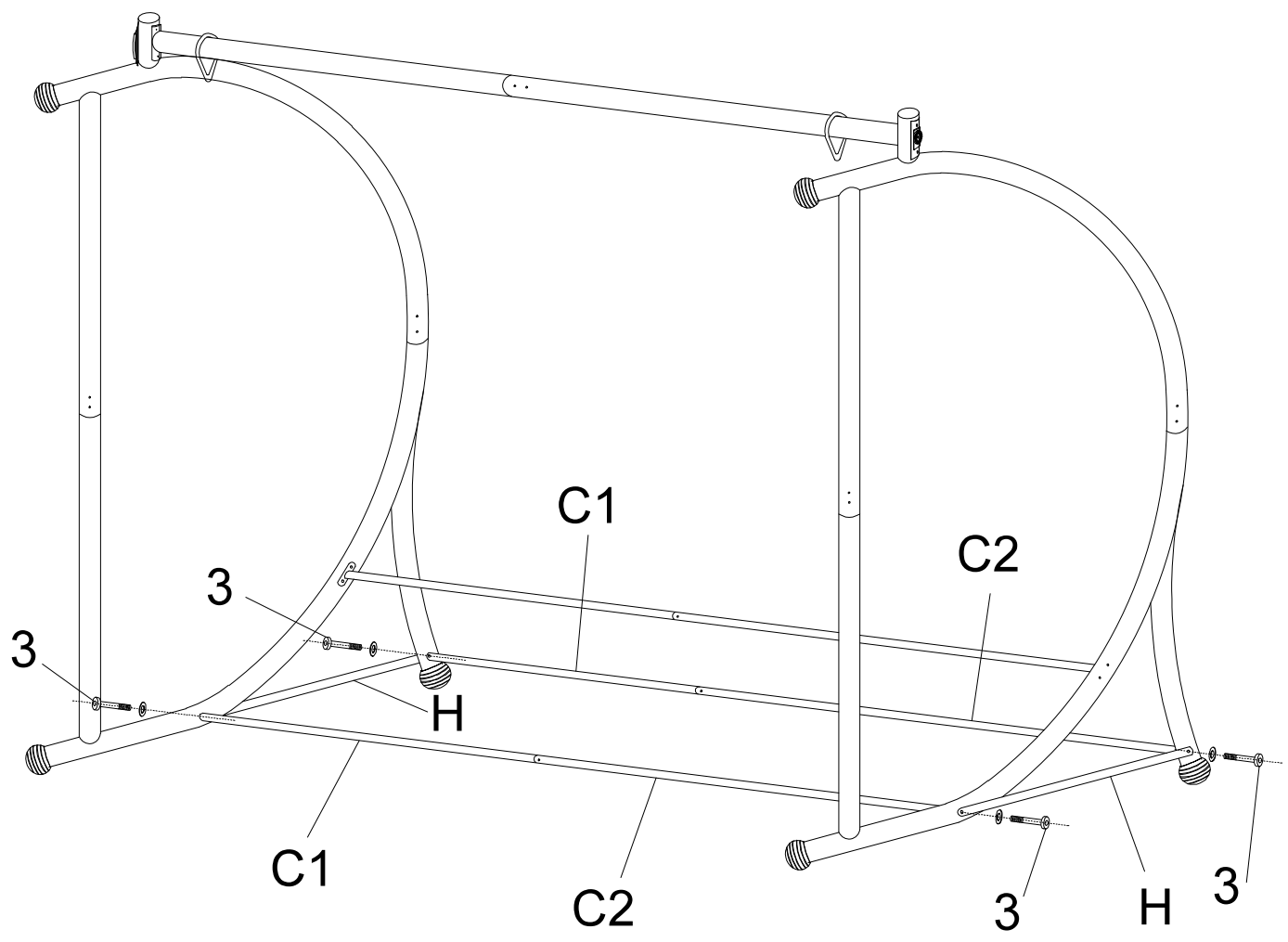


80%



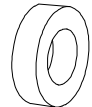
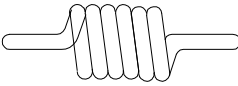
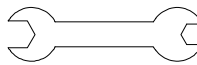


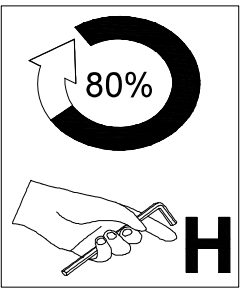
H

Install the connecting rod

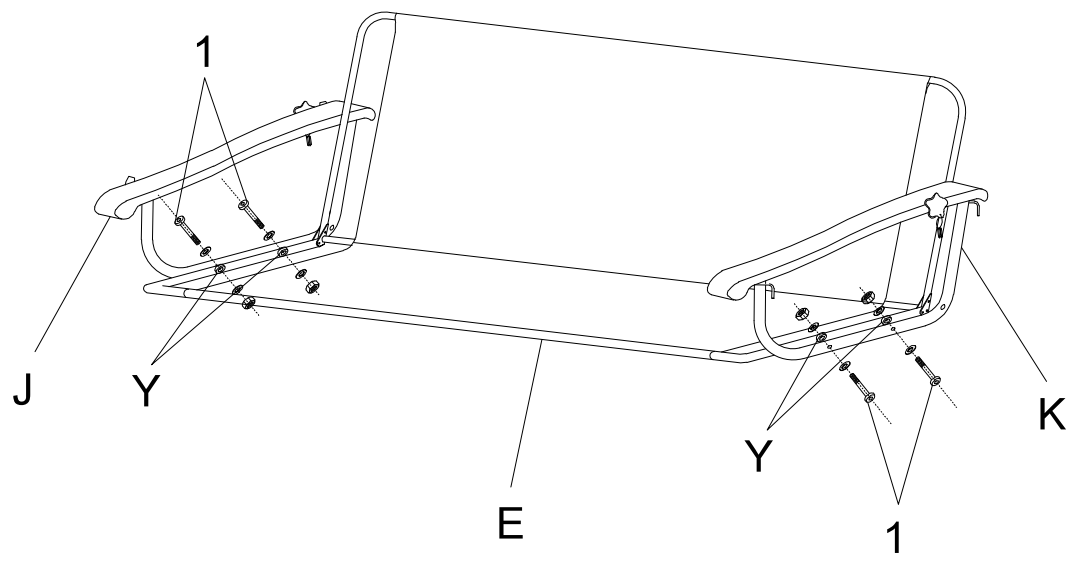


5

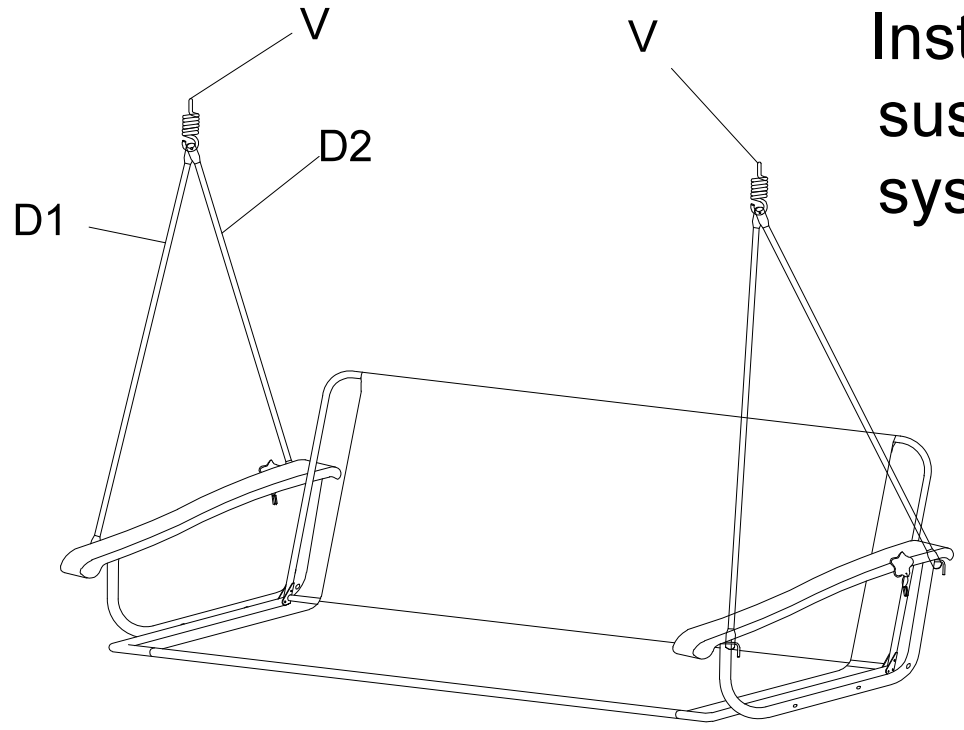
1×4PCS  M8X75MM	U×1PC  M8	Y×4PCS 
V×2PCS 	T×1PC 	



Step 1 Install the seat

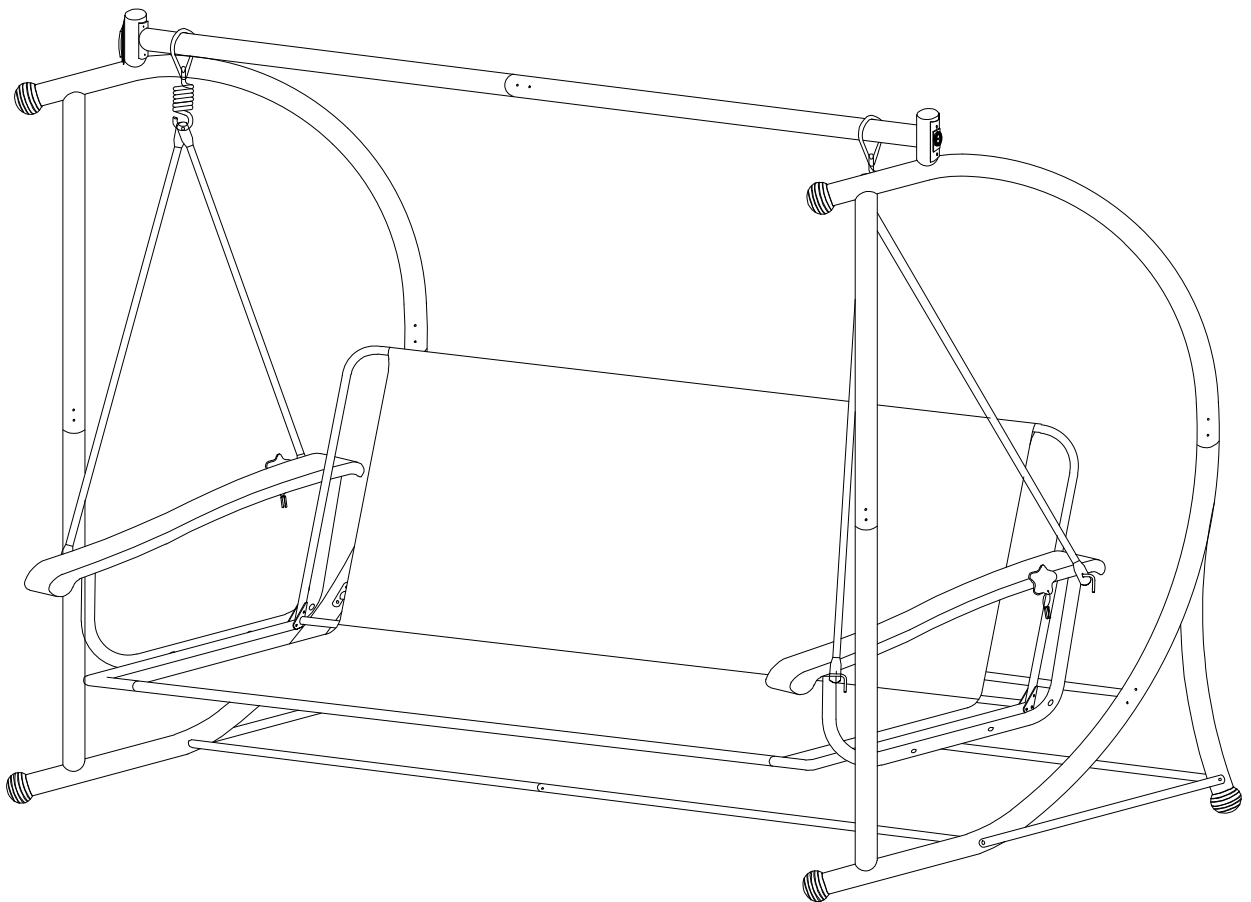


Step 2 Installing the suspension system



6

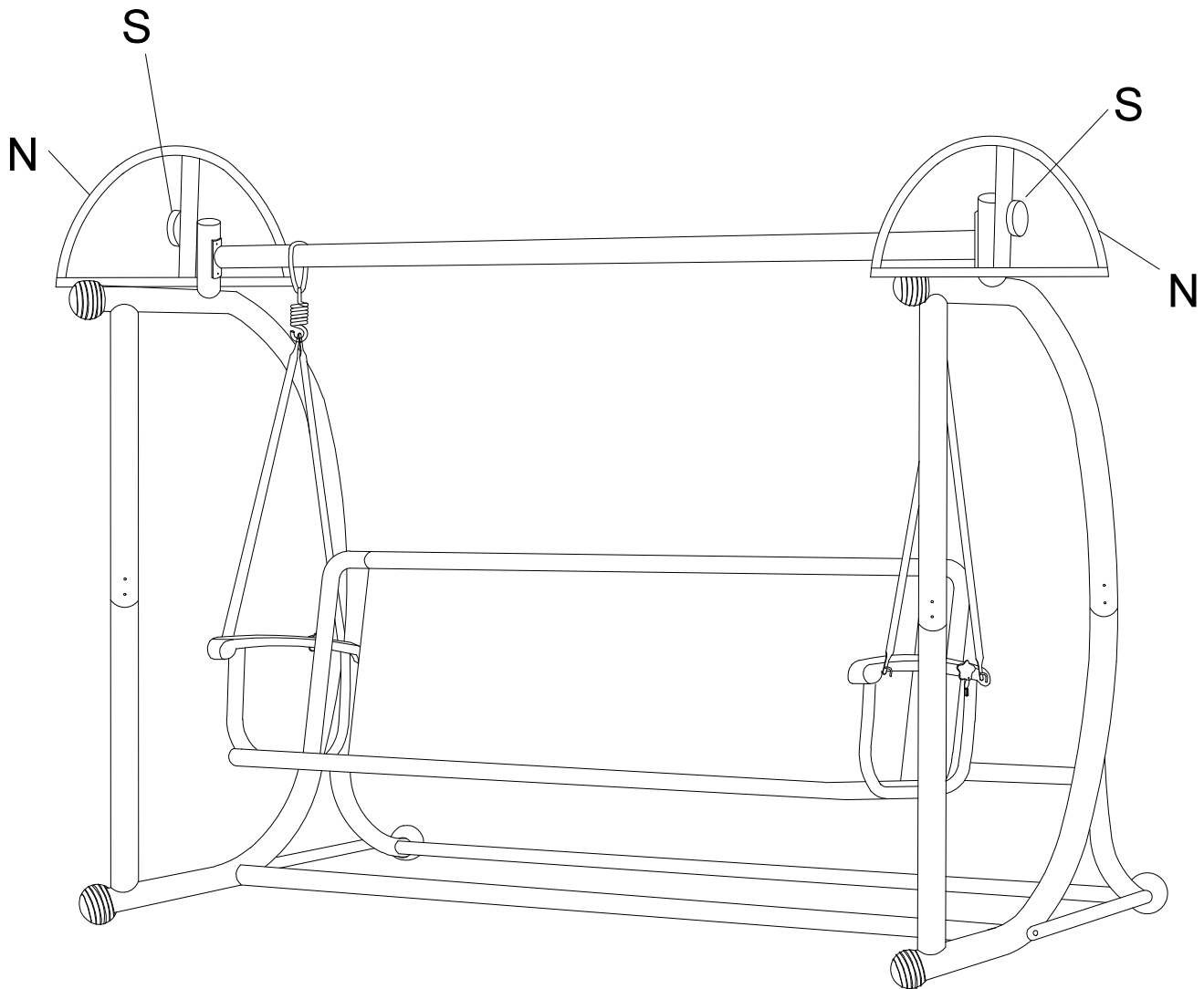
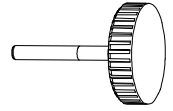
*Install the hanging
chair and plug*



7

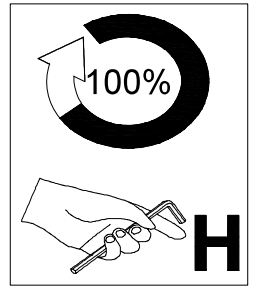
Install the ceiling bracket

S×2PCS

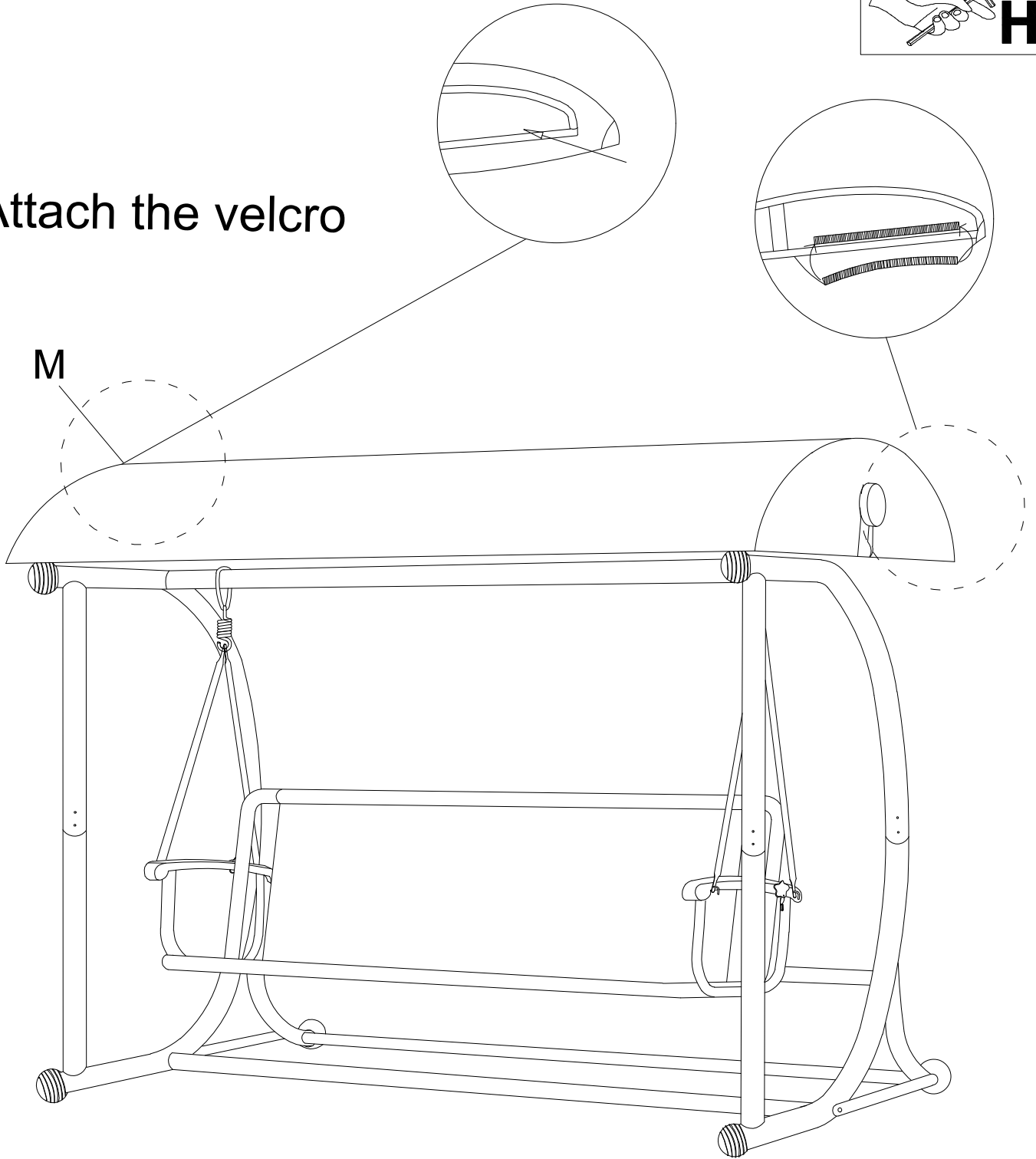


8

*Install the top cloth and
tighten all screws*



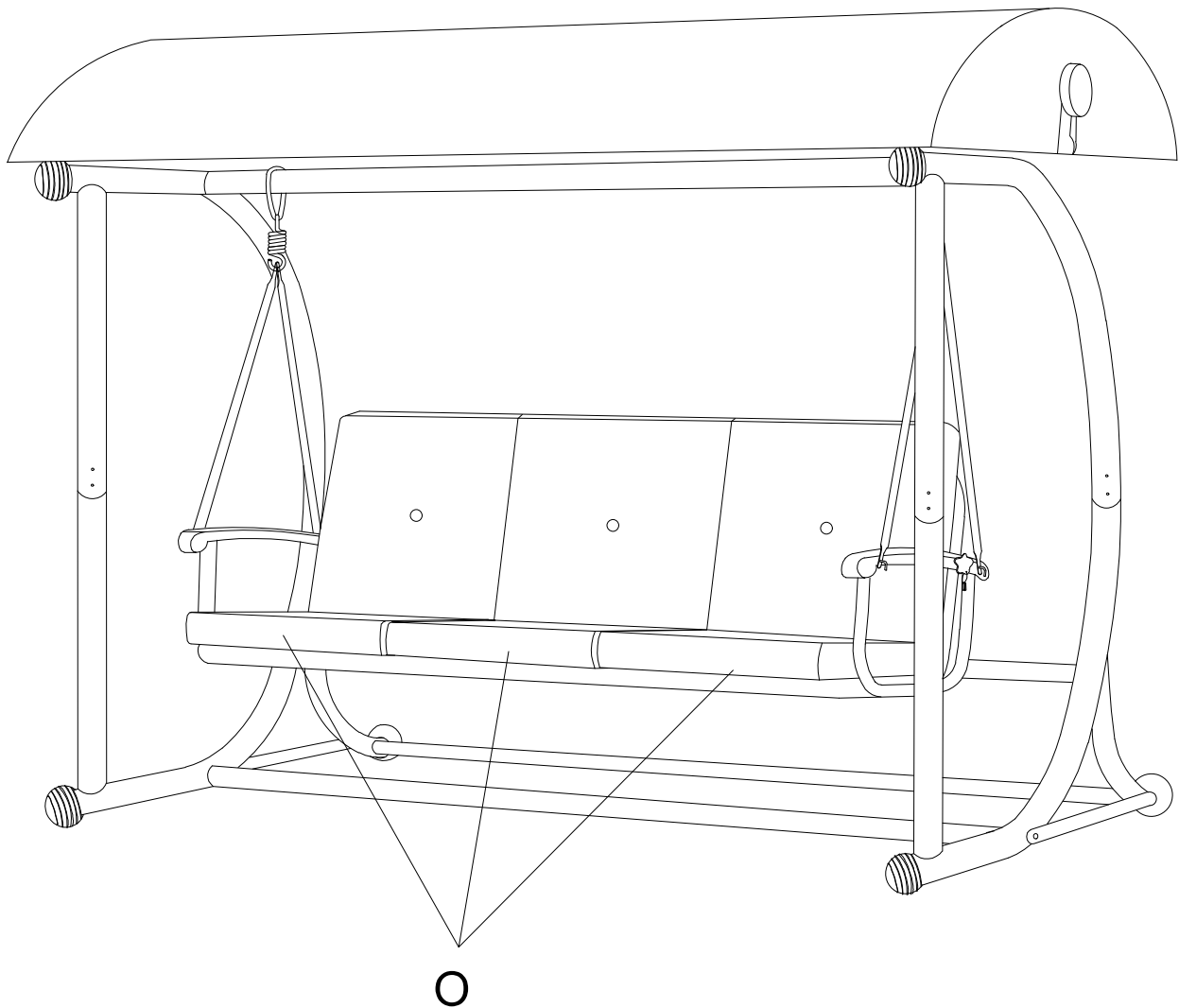
Attach the velcro



M

9

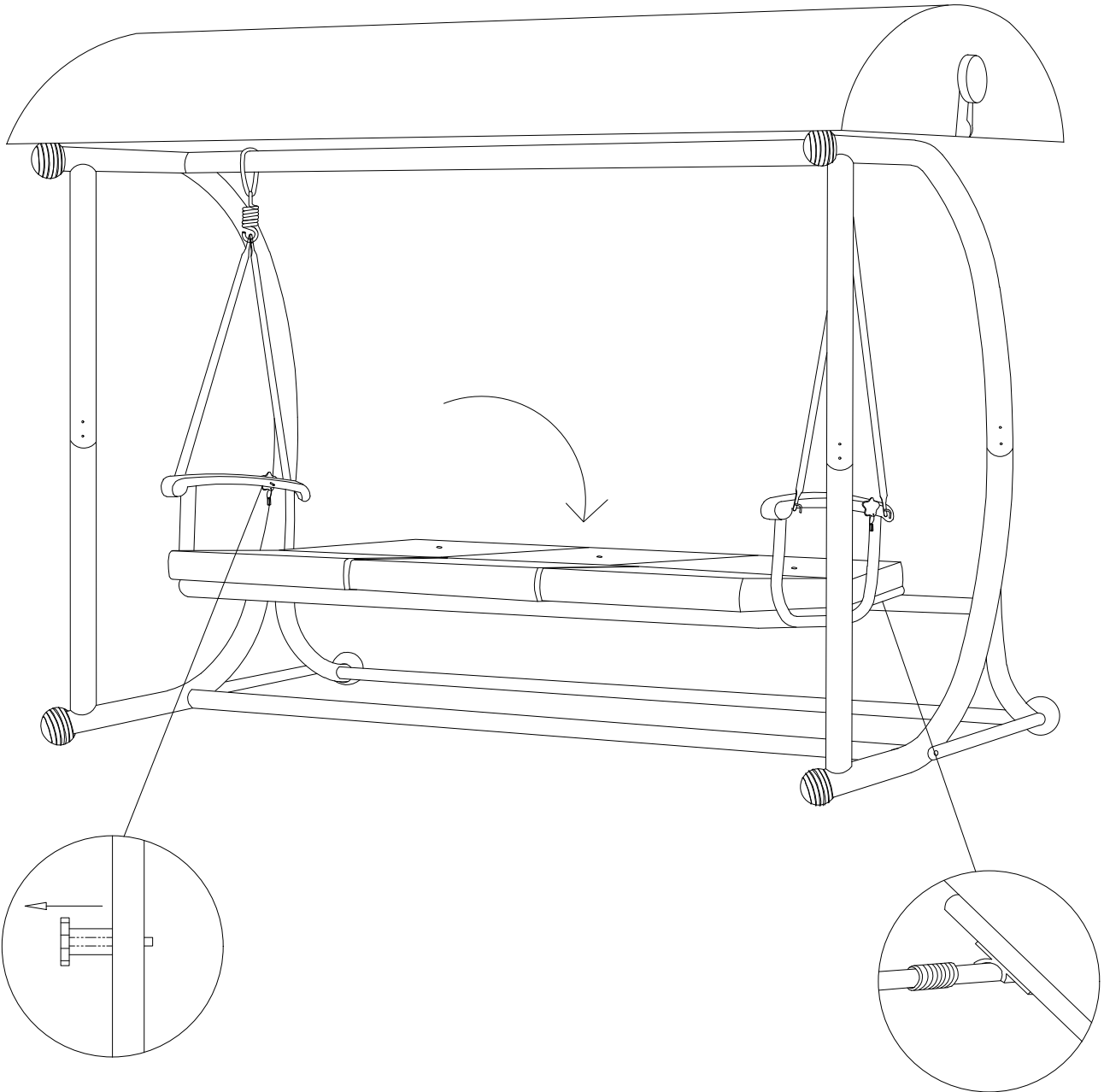
Install seat cushion



1. Tighten all screws after assembly to prevent loosening or falling.
2. Children must use under adult supervision; keep clear of obstacles.
3. Check suspension and connections regularly for safety.

10

Put down the lounge chair



Turn the pull-out button to
detach the seat

Fixed bed