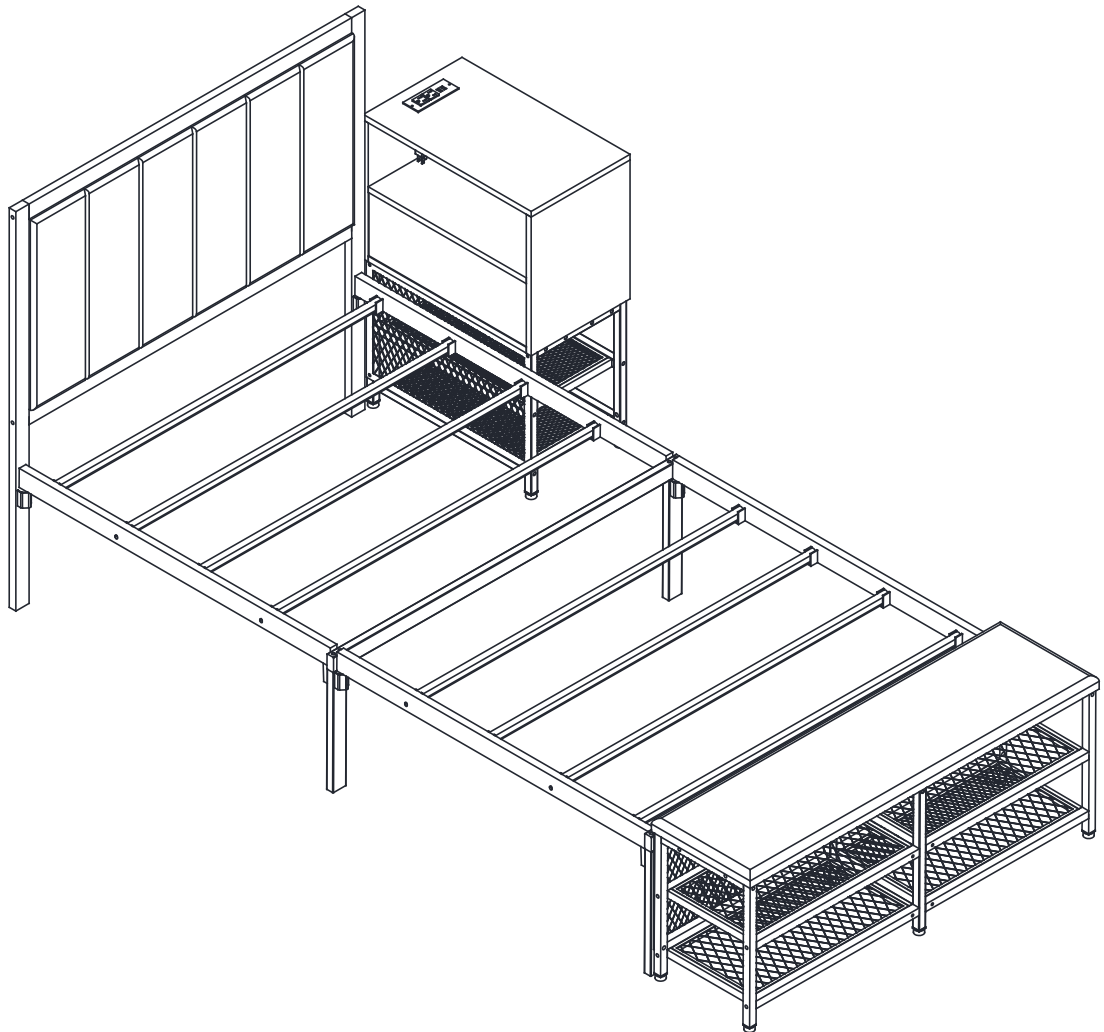
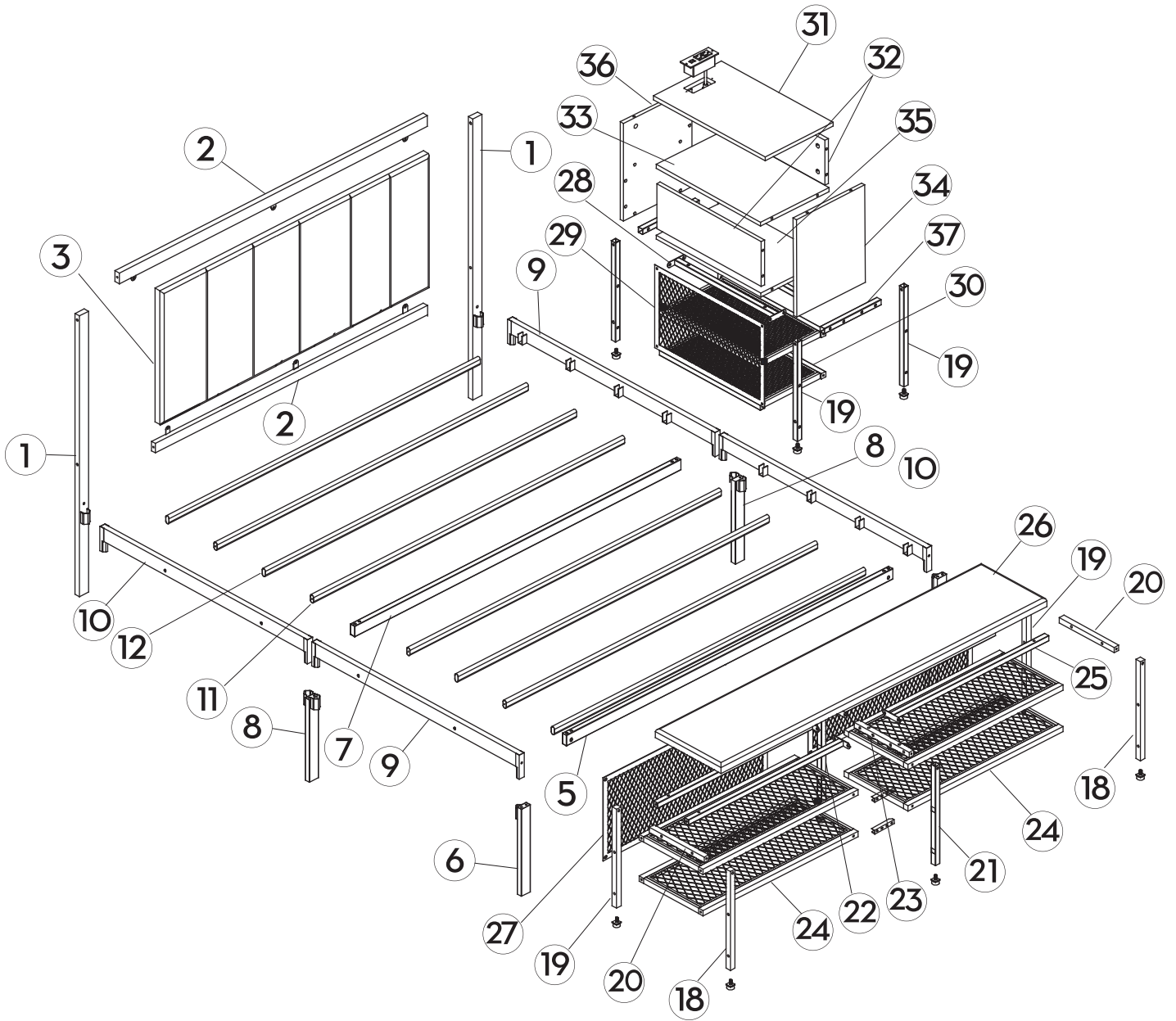


# ASSEMBLY INSTRUCTION


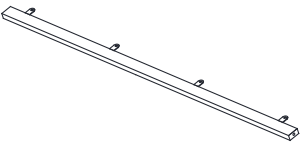
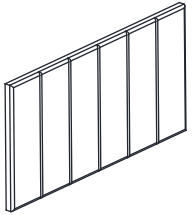
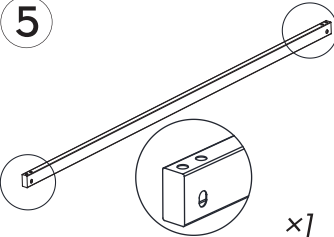

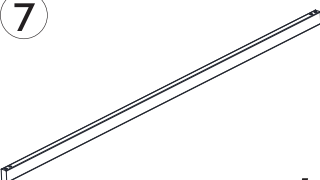

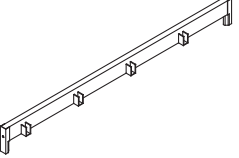
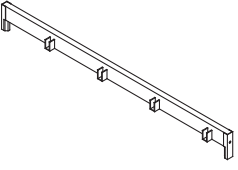
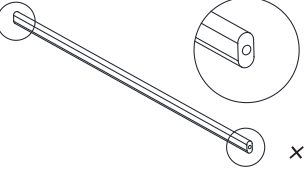
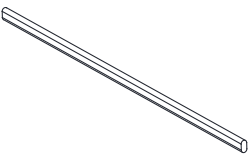


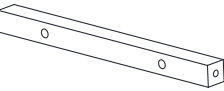
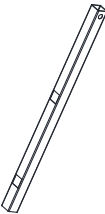
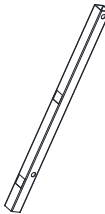
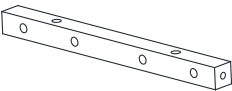
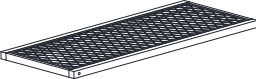

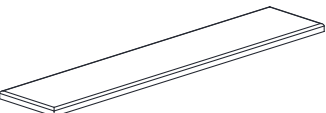
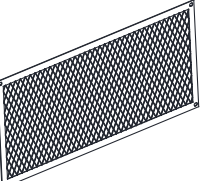

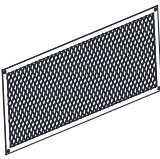
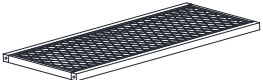
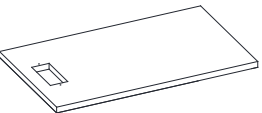
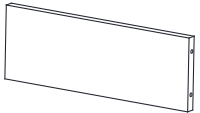

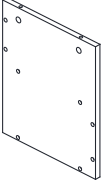
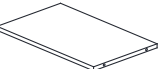
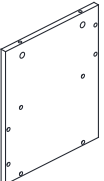
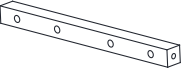
N737P199330










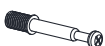


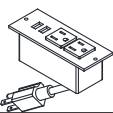


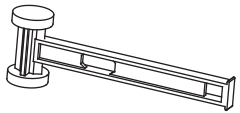
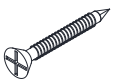
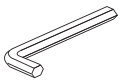



# Detail View



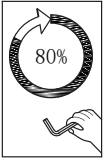
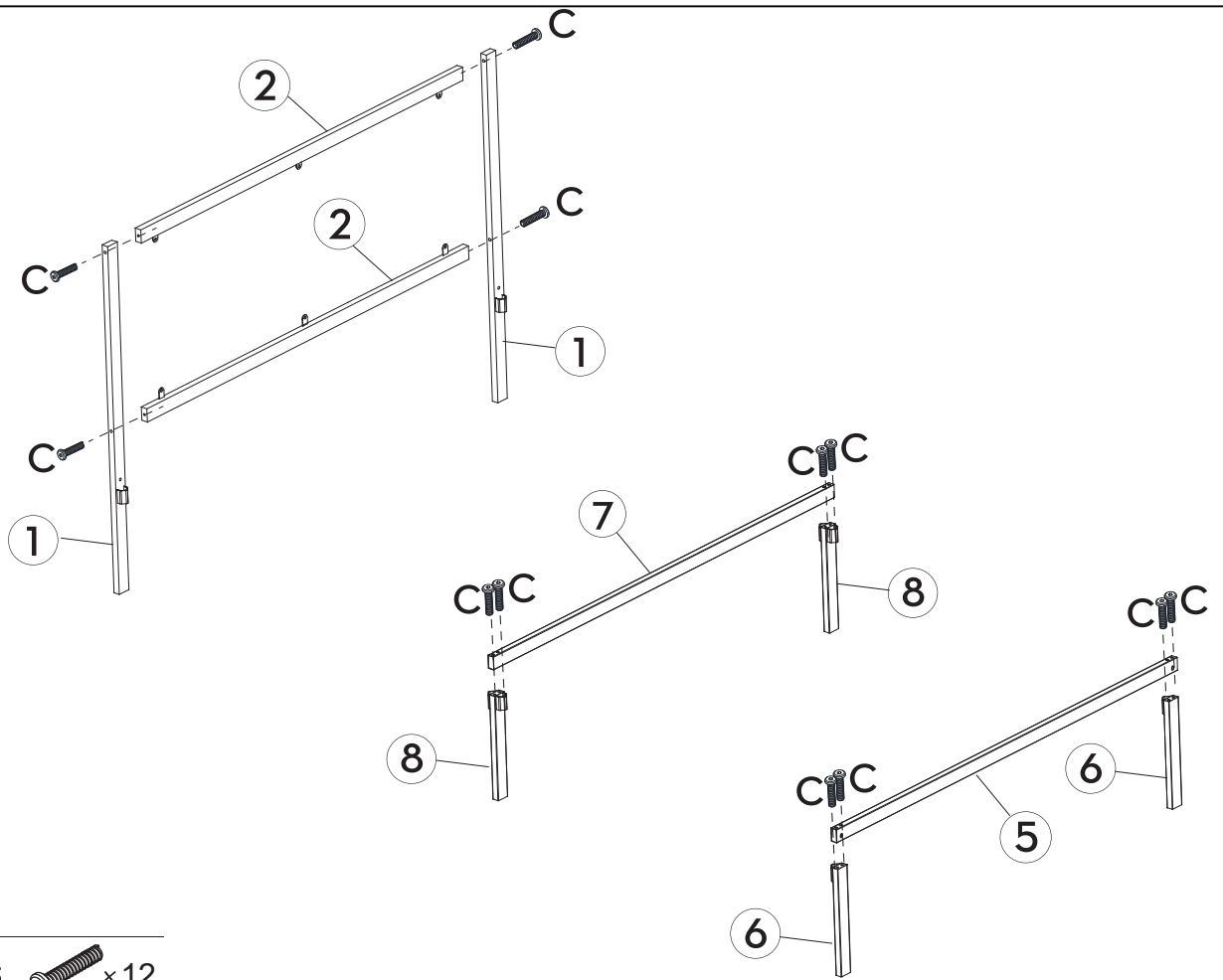
# PARTS LIST

<p>1</p>  <p>x2</p>	<p>2</p>  <p>x2</p>	<p>3</p>  <p>x1</p>	<p>5</p>  <p>x1</p>
<p>6</p>  <p>x2</p>	<p>7</p>  <p>x1</p>	<p>8</p>  <p>x2</p>	<p>9</p>  <p>x2</p>
<p>10</p>  <p>x2</p>	<p>11</p>  <p>x4</p>	<p>12</p>  <p>x4</p>	<p>18</p>  <p>x2</p>
<p>19</p>  <p>x6</p>	<p>20</p>  <p>x2</p>	<p>21</p>  <p>x1</p>	<p>22</p>  <p>x1</p>
<p>23</p>  <p>x1</p>	<p>24</p>  <p>x4</p>	<p>25</p>  <p>x4</p>	<p>26</p>  <p>x1</p>
<p>27</p>  <p>x2</p>	<p>28</p>  <p>x2</p>	<p>29</p>  <p>x1</p>	<p>30</p>  <p>x2</p>
<p>31</p>  <p>x1</p>	<p>32</p>  <p>x2</p>	<p>33</p>  <p>x1</p>	<p>34</p>  <p>x1</p>
<p>35</p>  <p>x1</p>	<p>36</p>  <p>x1</p>	<p>37</p>  <p>x2</p>	

# PARTS LIST

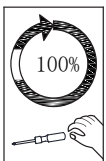
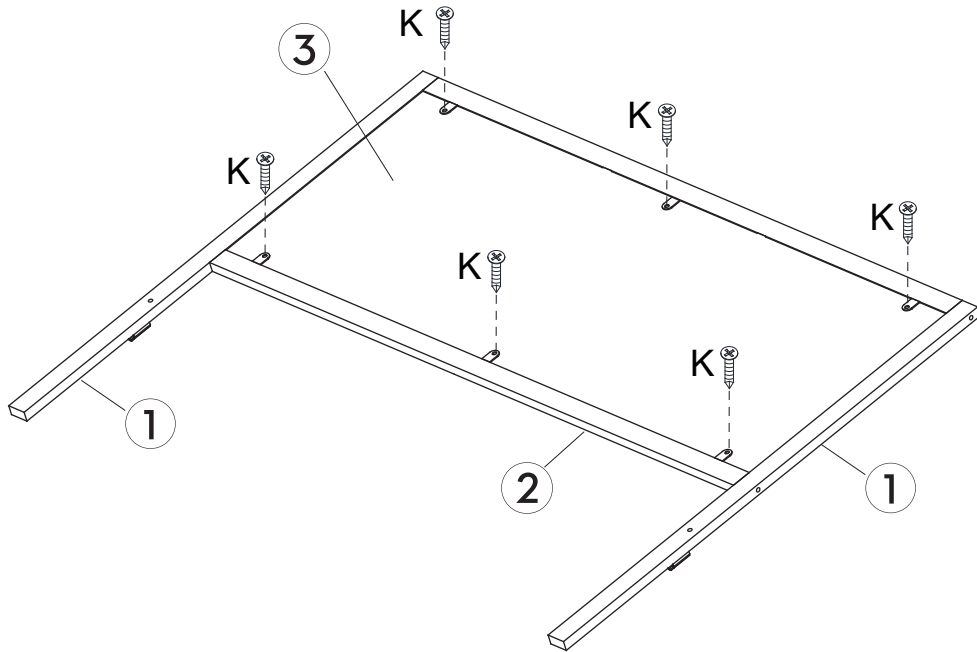
A	M6x35  x45	J	φ15 x 11.5  x20
B	M6x15  x8	K	M5x20  x6
C	M6x55  x12	S	M6x45  x1
D	M6x16  x21	M	M6x40  x20
F	M6x20  x10	N	M6x30  x4
G	 x1	O	M5x15  x2
H	 x4	P	 x1
I	M5x35  x6	Q	M4  x2
L	M6  x4	R	 x1
		T	 x1


# 1



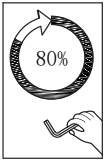
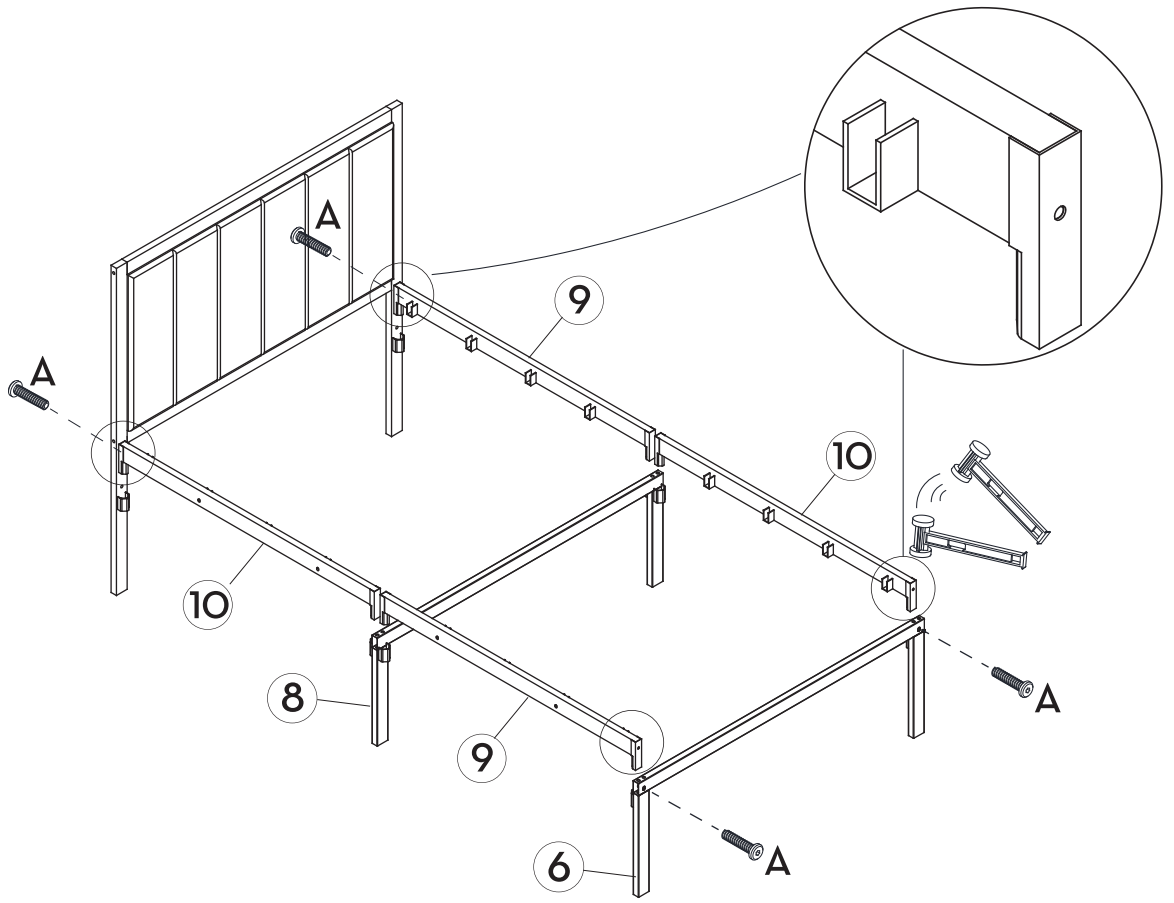
C | M6x55  x 12

# 2



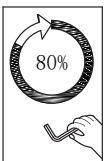
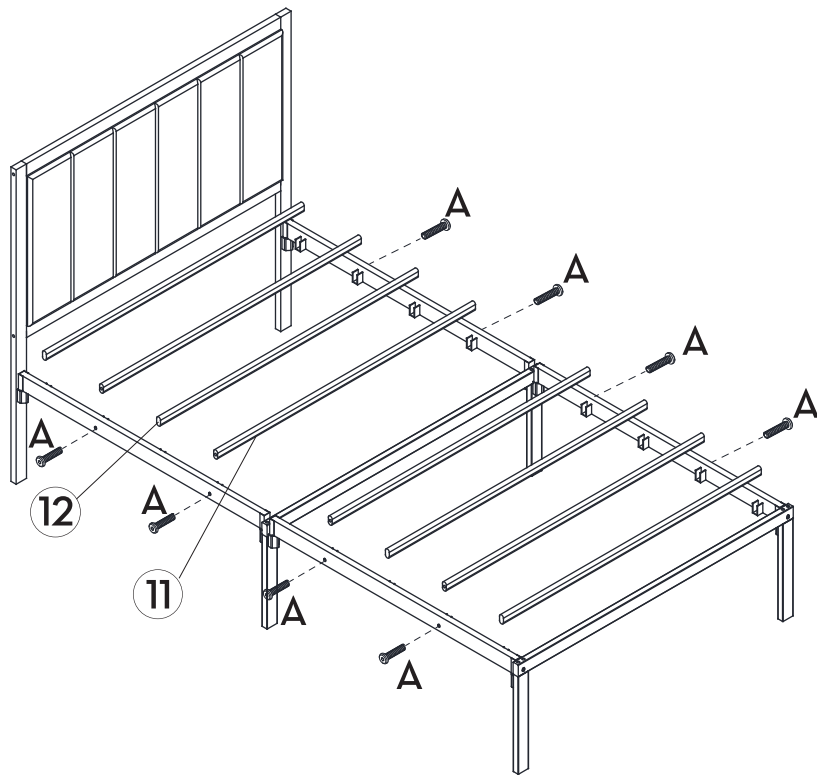
K | M5x20  x 6

3



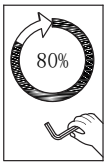
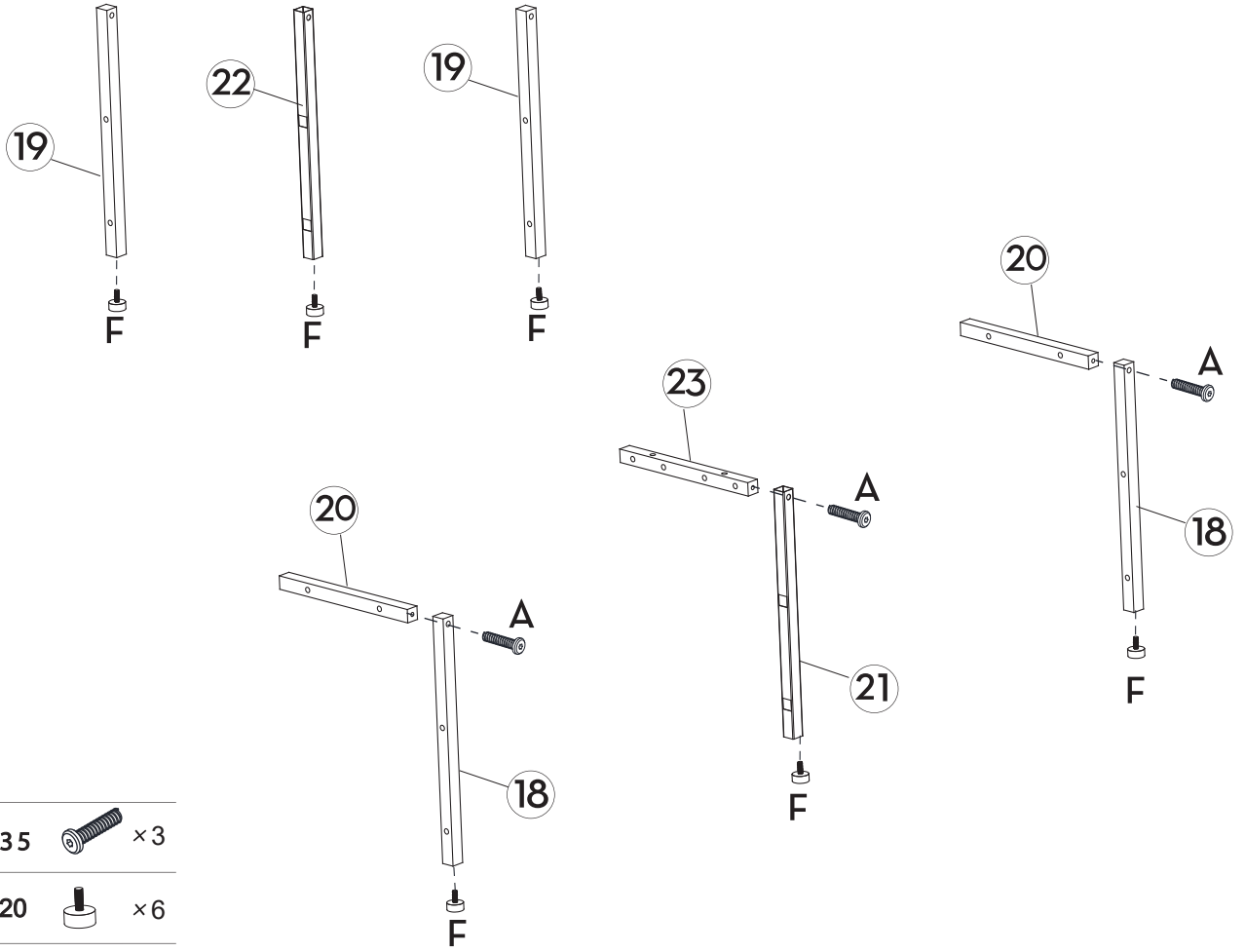
A M6x35  × 4

4



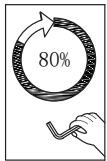
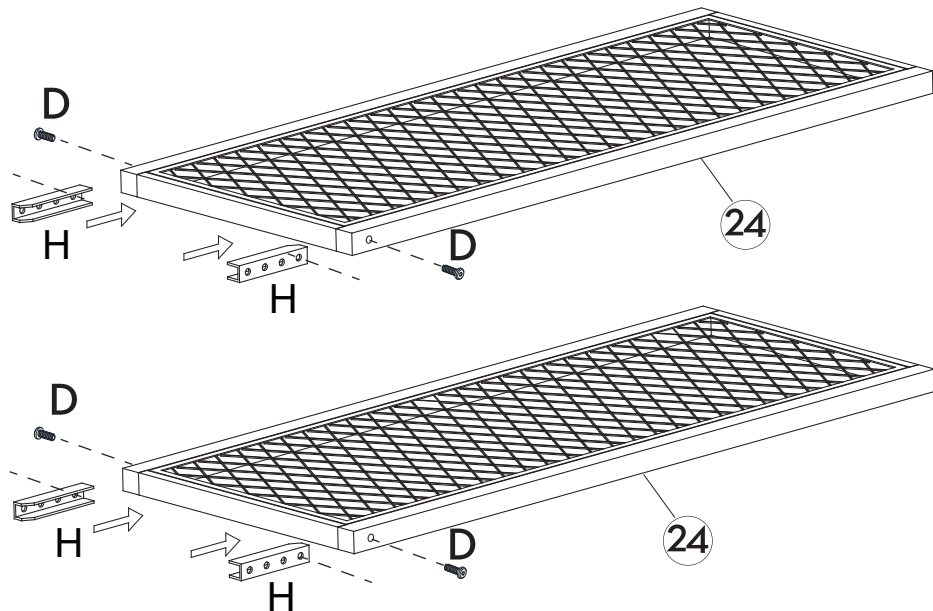
A M6x35  × 8



# 5



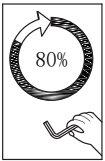
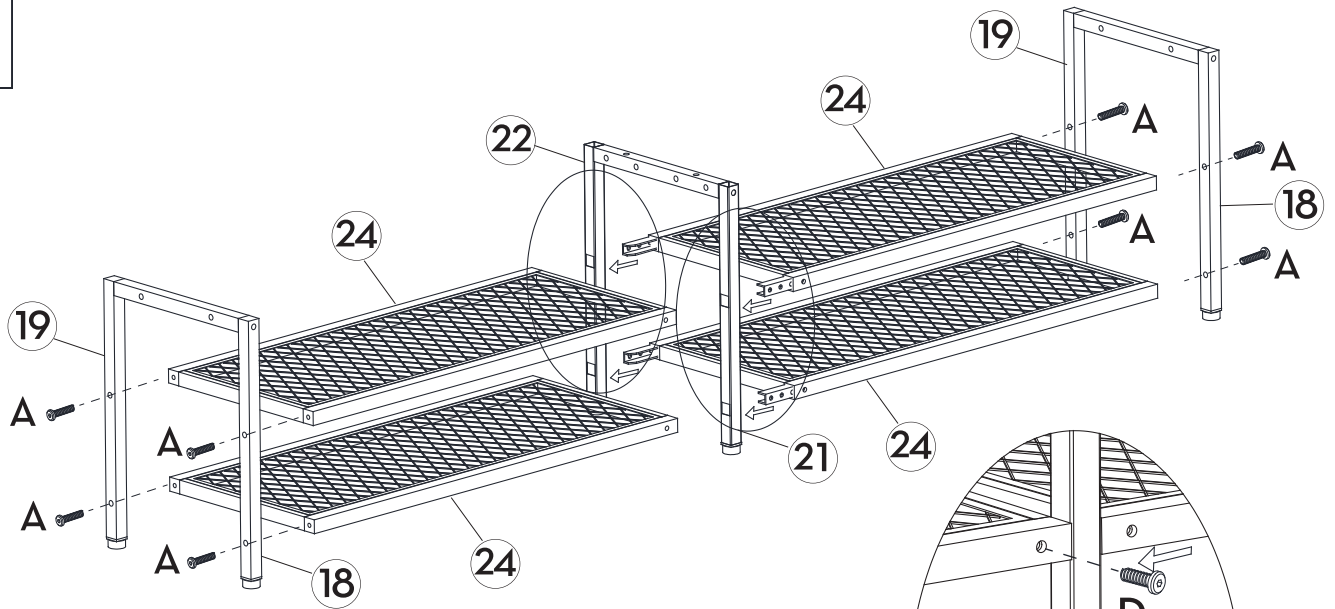
A	M6x35		×3
F	M6x20		×6

# 6



D	M6x16		×4
H			×4

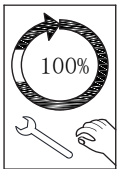
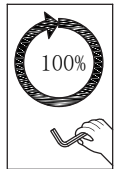
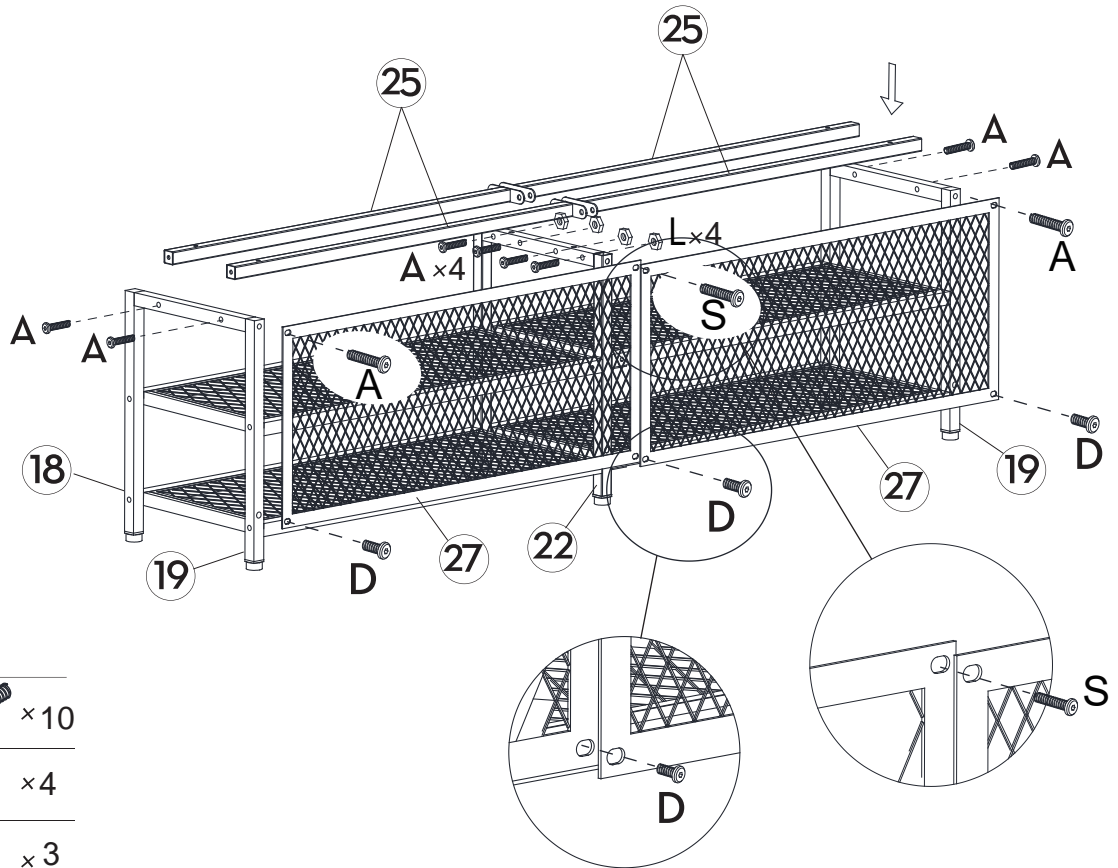
# 7



**A** M6x35  × 8

**D** M6x16  × 4

# 8



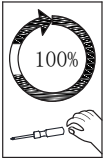
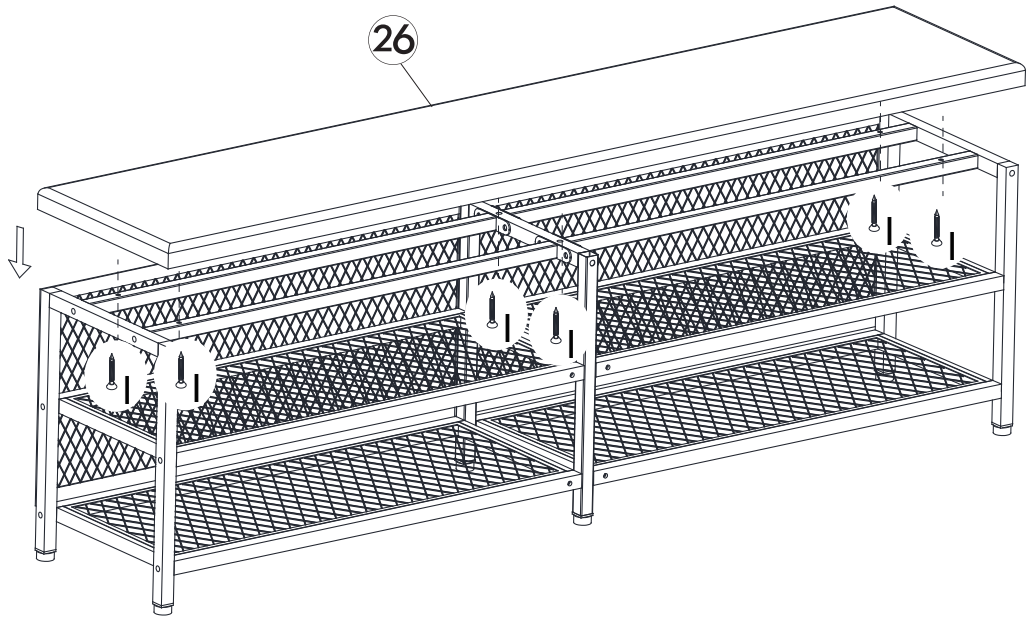
**A** M6x35  × 10

**L** M6  × 4

**D** M6x16  × 3

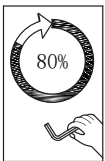
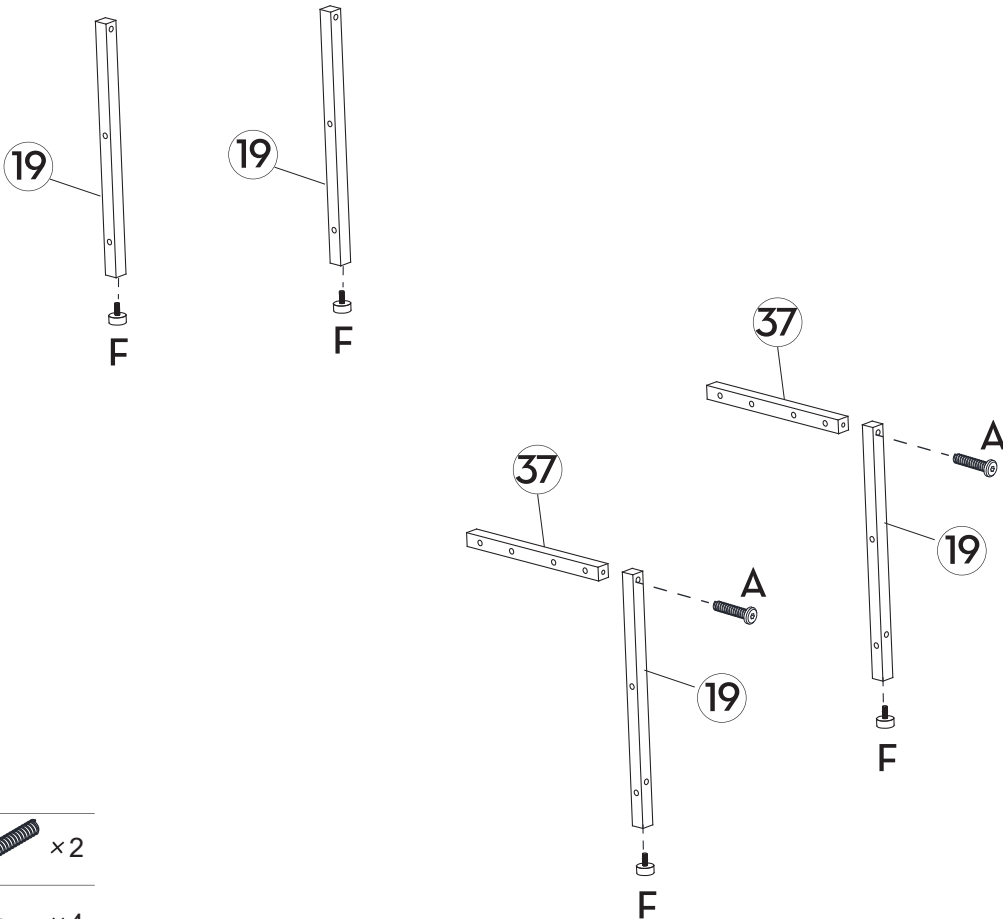
**S** M6x45  × 1

9



I M5x35  x6

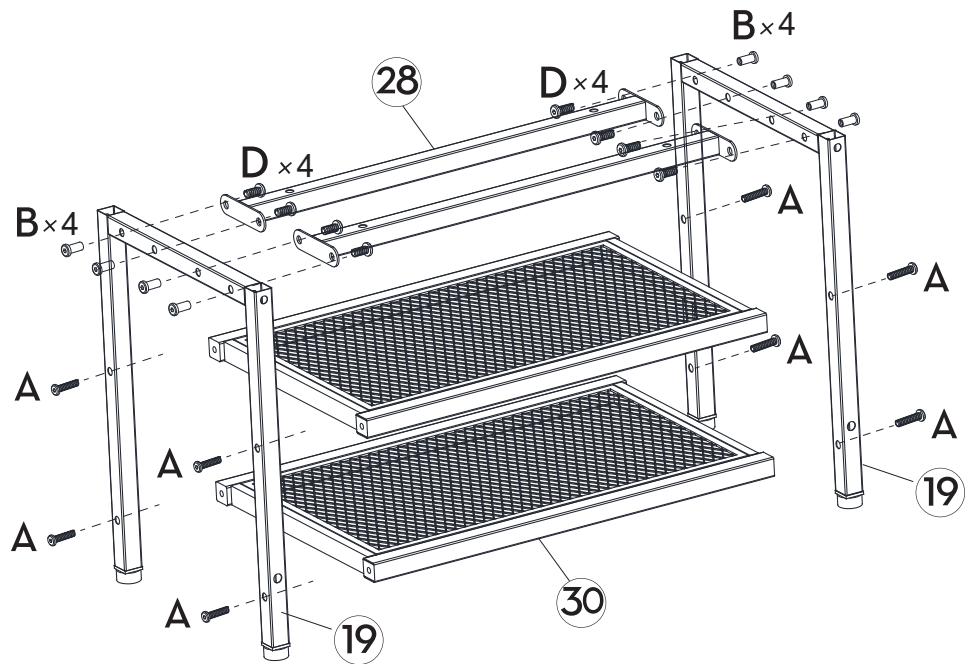
10






A M6x35  x2

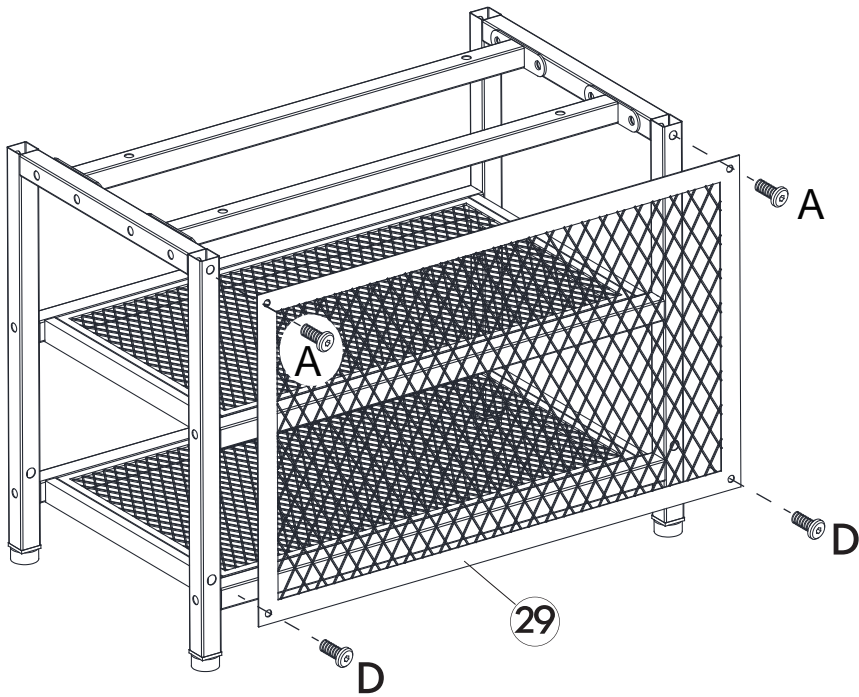
F M6x20  x4

# 11



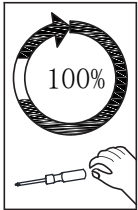
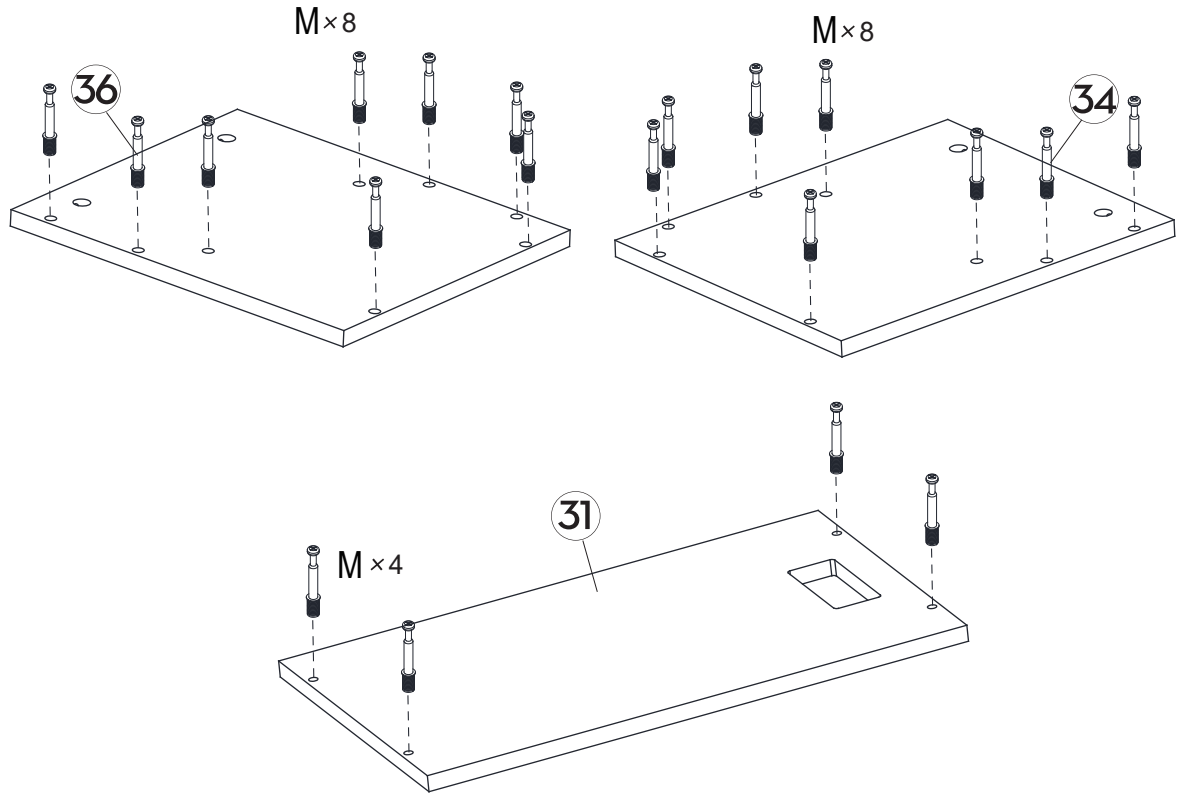
A	M6x35		x8
B	M6x15		x8
D	M6x16		x8

# 12



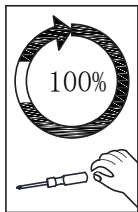
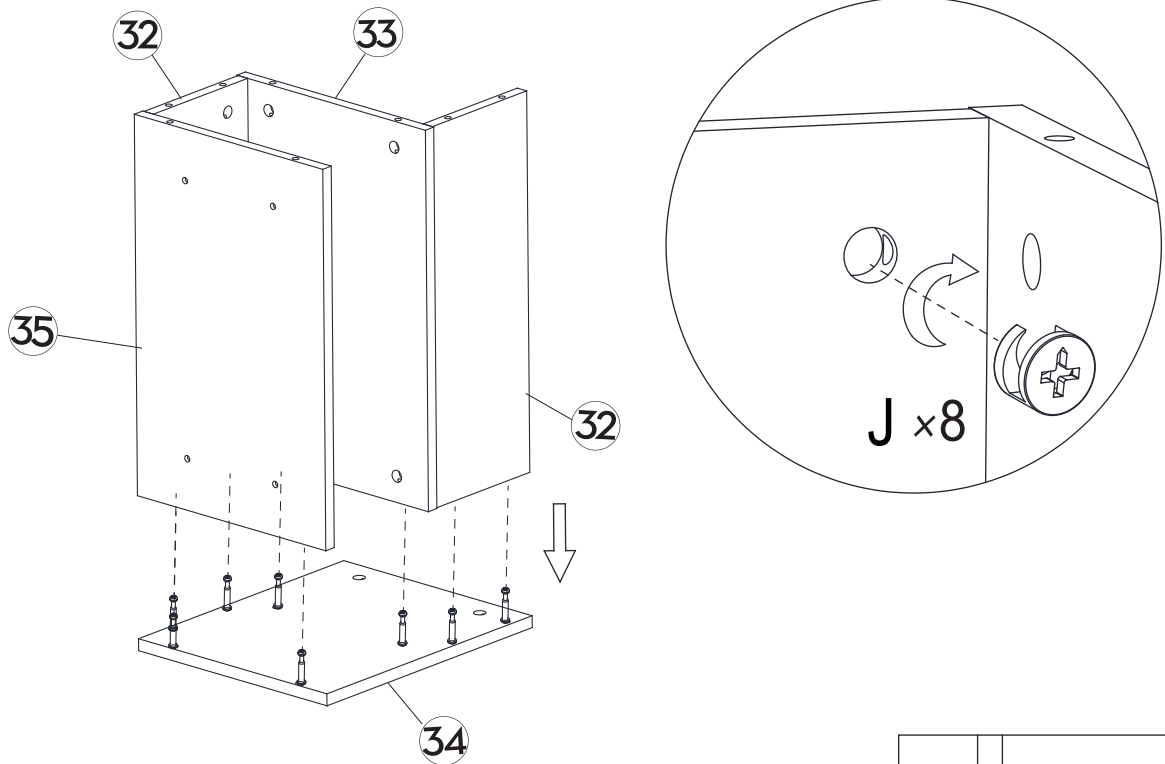
A	M6x35		x2
D	M6x16		x2

# 13

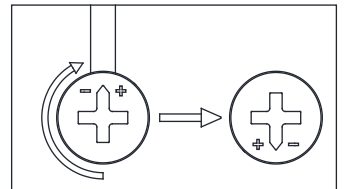


**M** | M6x40  x 20

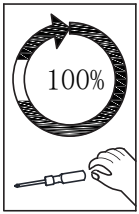
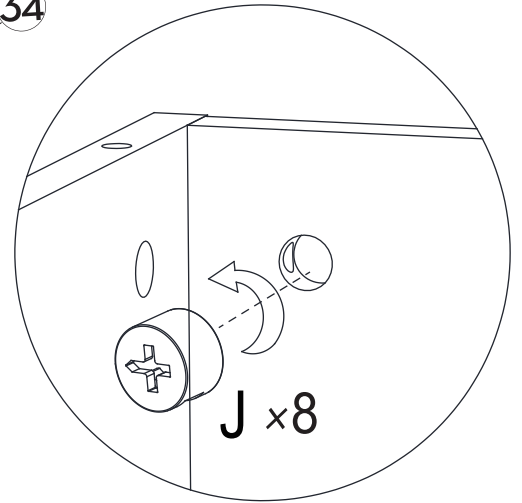
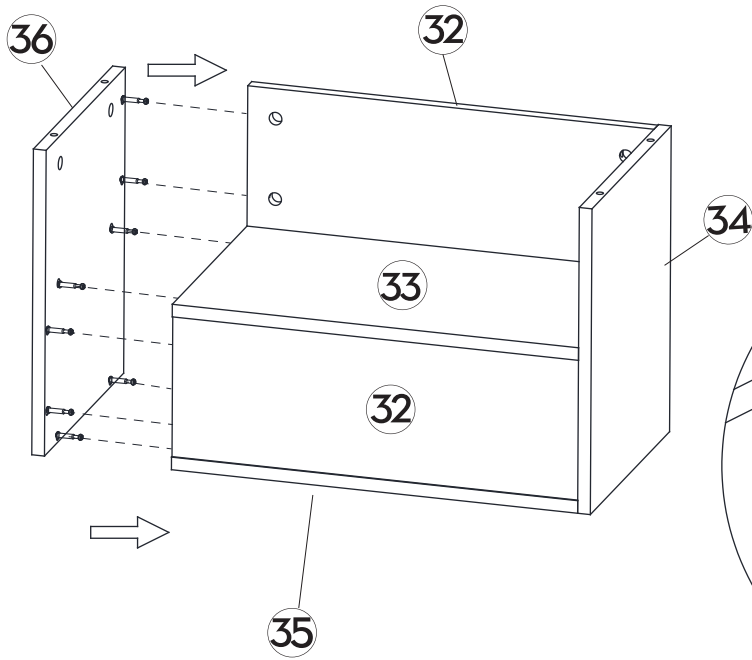
# 14



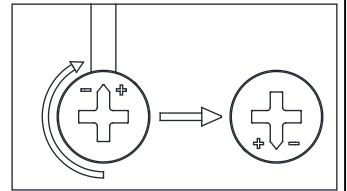
**J** |  $\varnothing 15 \times 11.5$   x 8



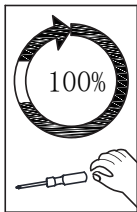
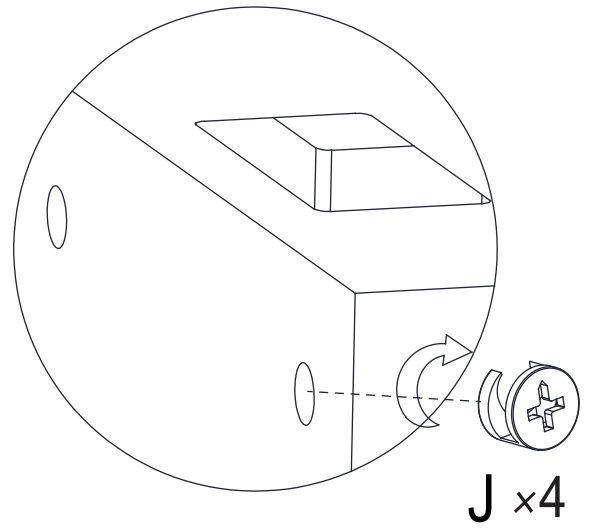
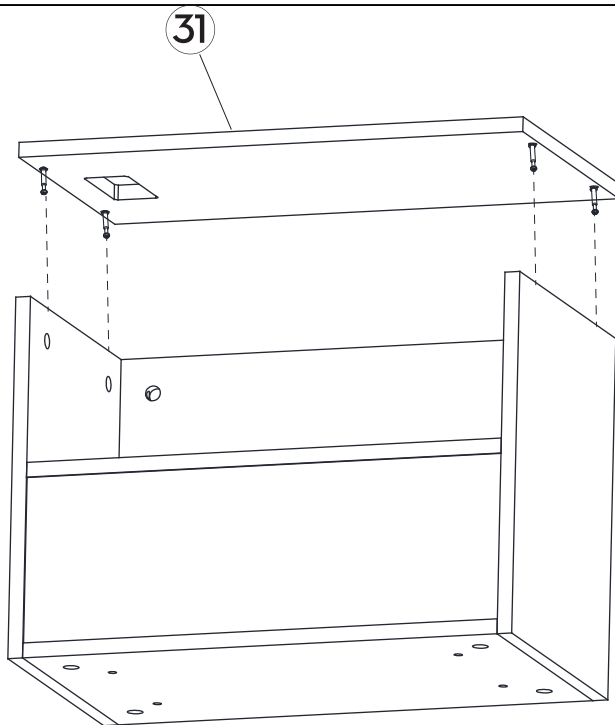
# 15




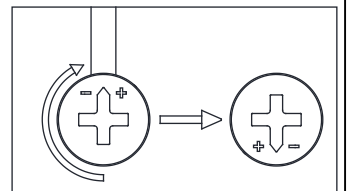
J |  $\varnothing 15 \times 11.5$   x8



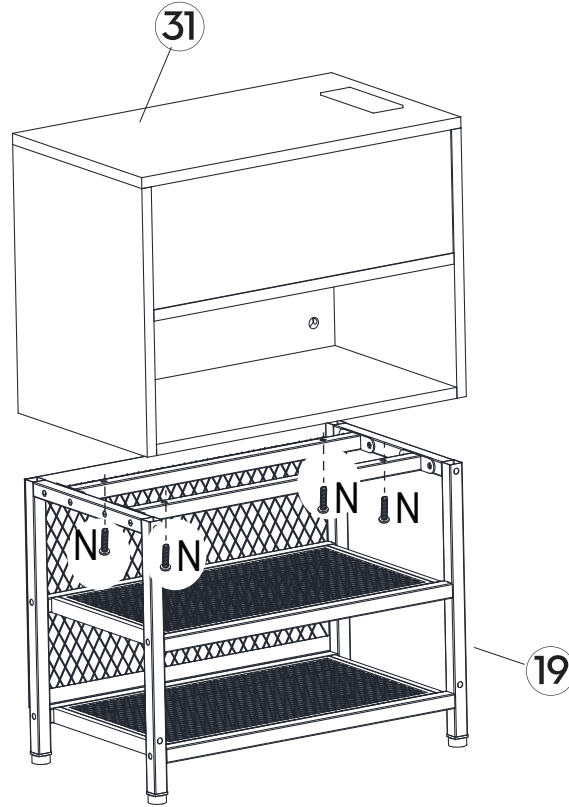
# 16



J |  $\varnothing 15 \times 11.5$   x4

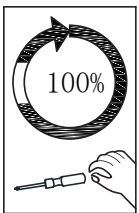
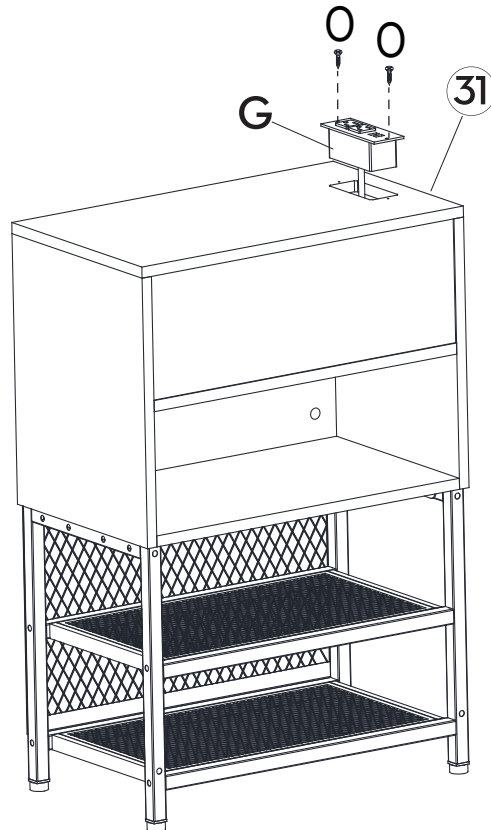


17



N | M6x30  x4

18



O | M5x15  x2

G |  x1

19

