

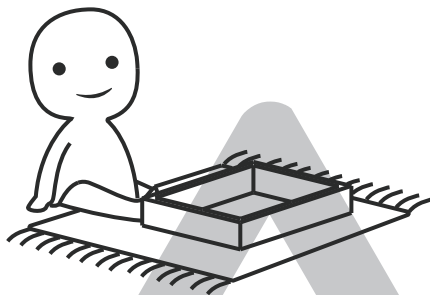
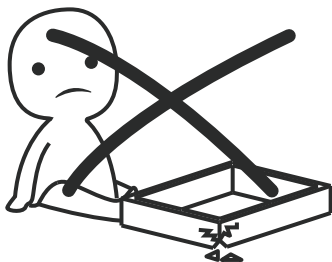
INSTALLATION

Product Manual



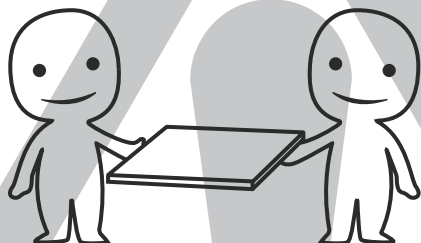
IMPORTANT INFORMATION!

please read the entire manual before starting to assemble and/or using this product, follow the manual thoroughly and keep it for further reference.



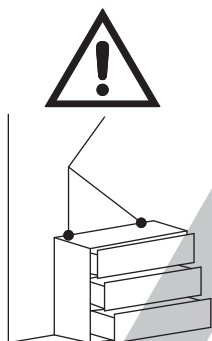
AVOID SCRATCHES!

In order to avoid scratching this furniture should be assembled on a soft layer-could be a rug.



IMPROVE EFFICIENCY !

Try to find a partner to install with you, which can speed up the installation efficiency and shorten the time.



ANTI-TOPPLE WARNING !

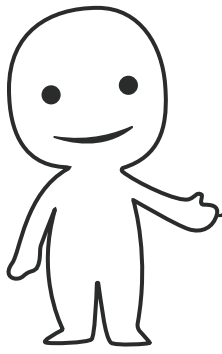
Overturnd furniture can cause serious or fatal crush injuries. To prevent tipping over, be sure to use the wall attachment, if not included with this product. Please purchase the wall attachment that fit your wall. If unsure, seek professional advice. Please read and follow each step of the instructions carefully.

IMPORTANT !

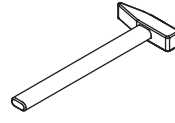
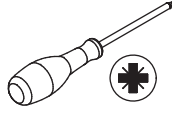
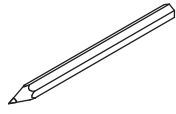
It is important that any product which is assembled using any kind of screw is re-tightened 2 weeks after assembly, and once every 3 months - in order to assure stability through-out the lifespan of the product.

For regular maintenance and cleaning of the product, for the frame, please use a rag dipped in neutral detergent to fully wipe it, and then dry it with a clean rag. For glass materials, wipe with a rag dampened with water glass cleaner, and then dry with a dry rag.

Do not use an electric screwdriver, and do not use too much force when installing, because the board is easy to break.

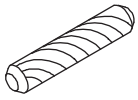


Please prepare the following tools



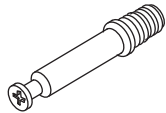
When installing, please carefully confirm whether each screw corresponds to the manual, accessories with similar shapes can be distinguished by size

A x 35+2



Ø6 x 30 mm

B x 87+2



Ø6 x 35 mm

C x 87+2



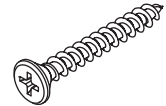
Ø15 x 10 mm

D x 2



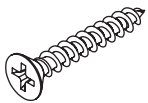
Ø4 x 12 mm

E x 12+1



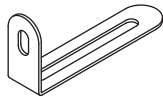
Ø5 x 40 mm

F x 14



Ø4 x 35 mm

G x 2



H x 96+2



Ø3 x 12 mm

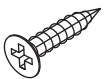
J x 4



L x 8

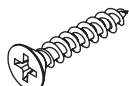


M x 8



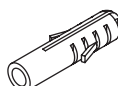
Ø3 x 14 mm

N x 46+1

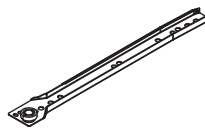


Ø4 x 30 mm

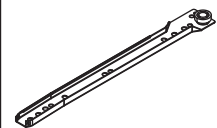
P x 2



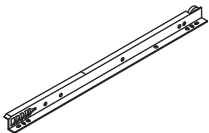
CL x 10



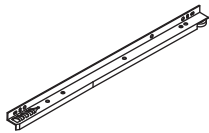
CR x 10

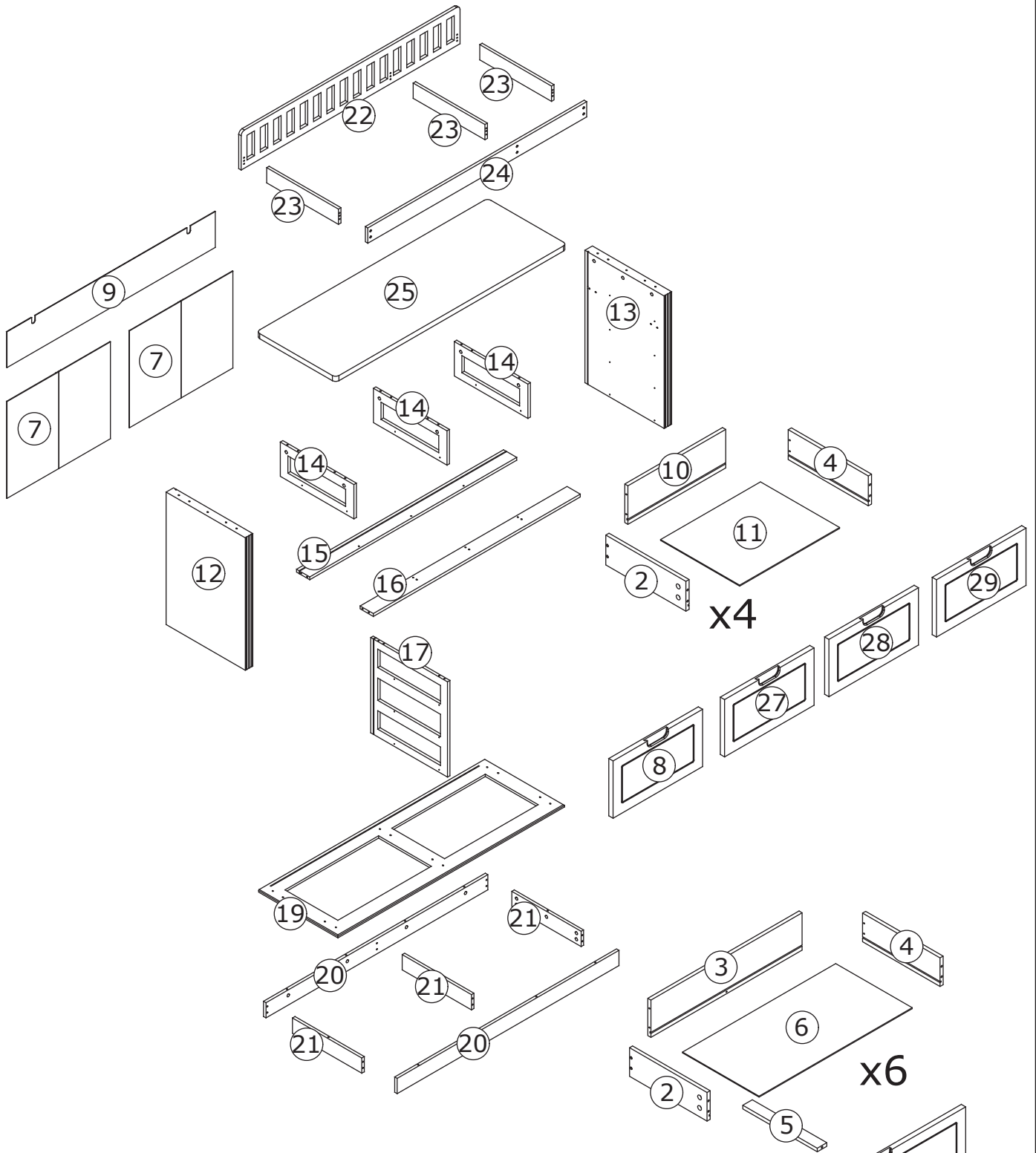


DL x 10



DR x 10





⚠ WARNING

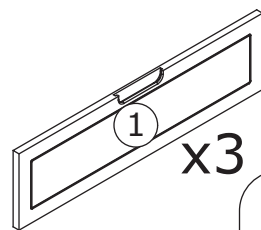


Children have died from furniture tipover. To reduce the risk of furniture tipover:

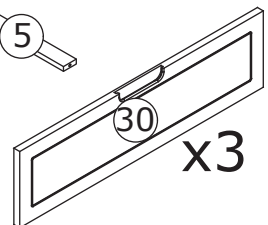
- ALWAYS install Anti-tip device provided.
- NEVER put a TV on this product.
- NEVER allow children to stand, climb or hang on drawers, doors, or shelves.
- NEVER open more than one drawer at a time.
- Place heaviest items in the lowest drawers.



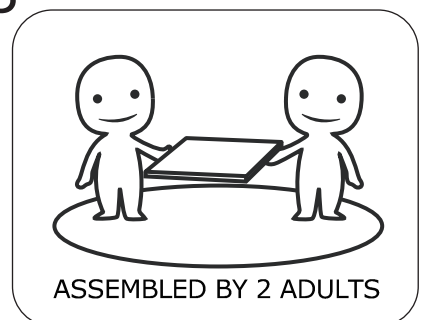
*This is a permanent label.
Do not remove!*



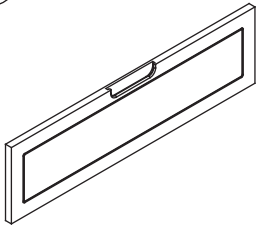
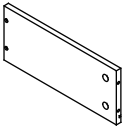
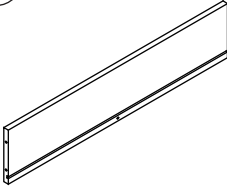
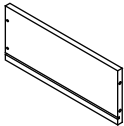
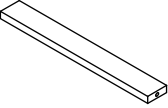
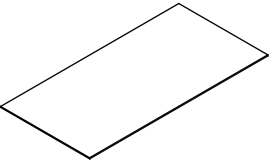
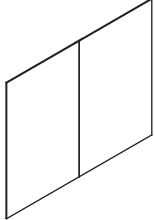
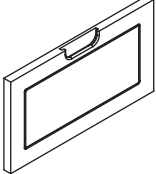
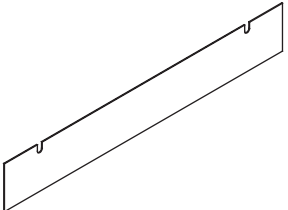
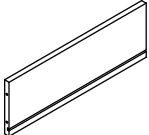
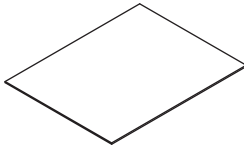
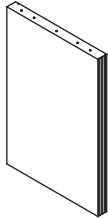
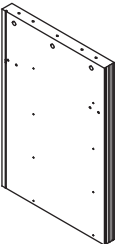
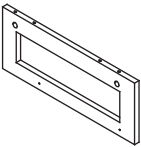
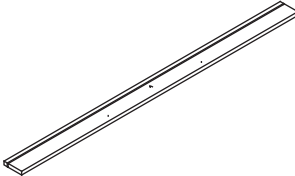
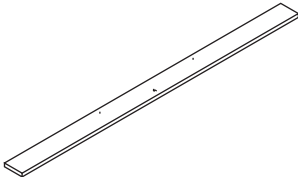
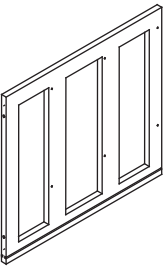
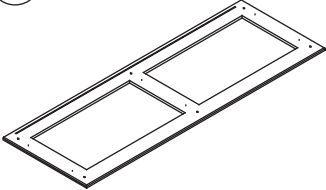
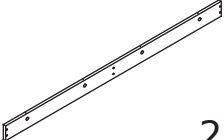
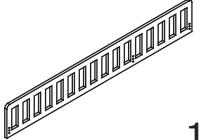
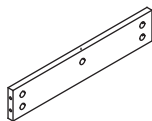
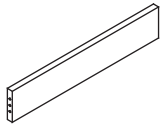
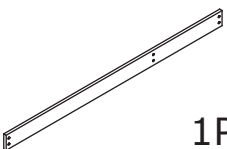
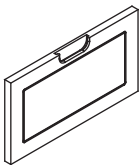
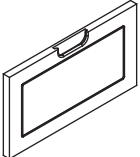
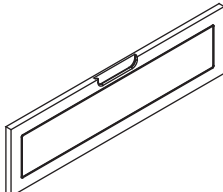
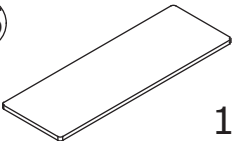
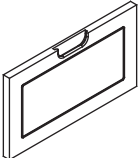
x3



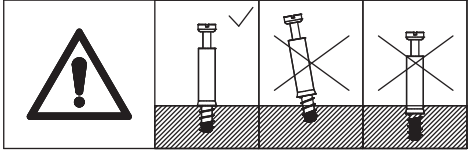
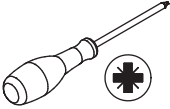
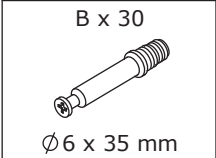
x3



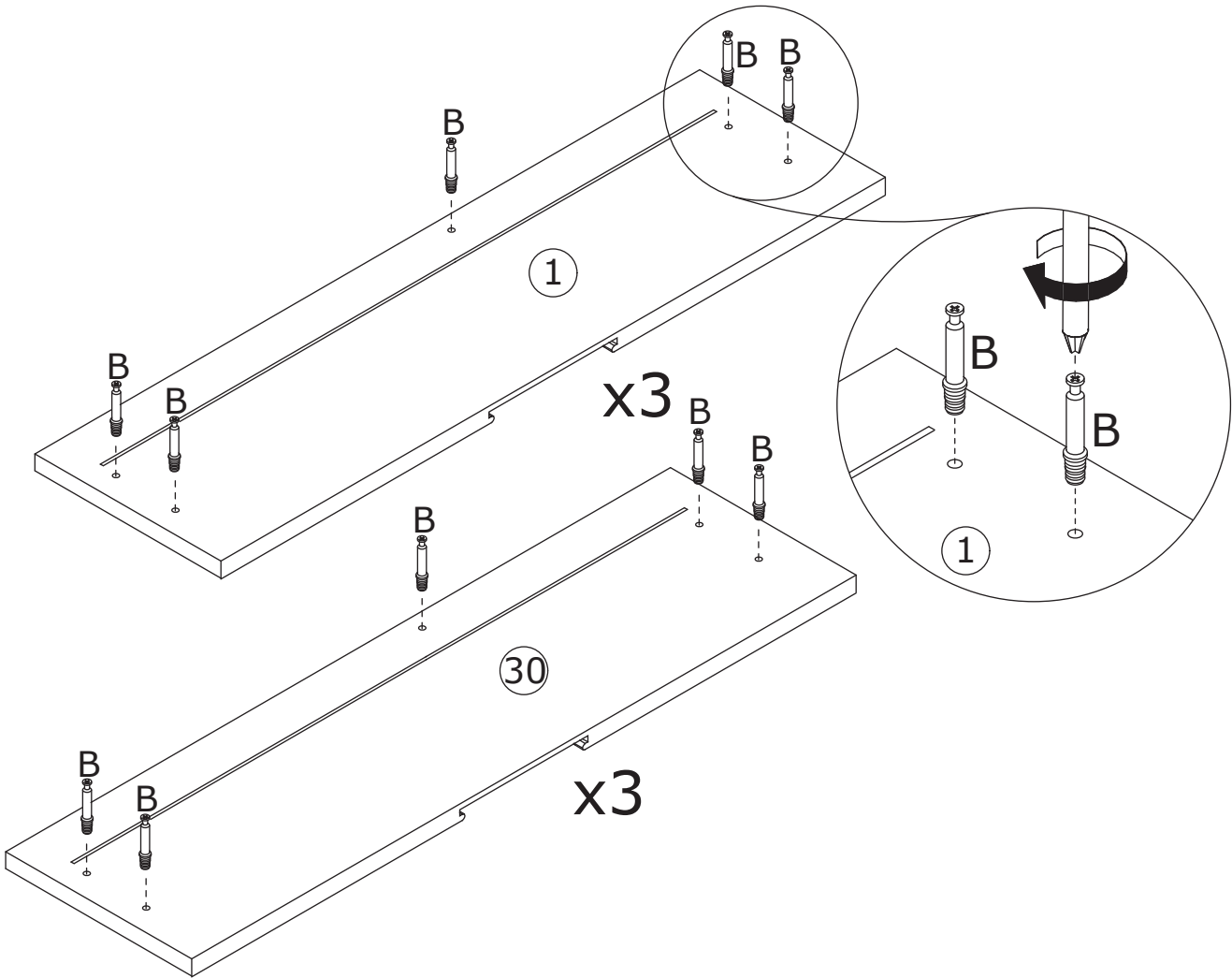
ASSEMBLED BY 2 ADULTS

<p>①</p>  <p>3PC</p>	<p>②</p>  <p>10PC</p>	<p>③</p>  <p>6PC</p>	<p>④</p>  <p>10PC</p>
<p>⑤</p>  <p>6PC</p>	<p>⑥</p>  <p>6PC</p>	<p>⑦</p>  <p>2PC</p>	<p>⑧</p>  <p>1PC</p>
<p>⑨</p>  <p>1PC</p>	<p>⑩</p>  <p>4PC</p>	<p>⑪</p>  <p>4PC</p>	<p>⑫</p>  <p>1PC</p>
<p>⑬</p>  <p>1PC</p>	<p>⑭</p>  <p>3PC</p>	<p>⑮</p>  <p>1PC</p>	<p>⑯</p>  <p>1PC</p>
<p>⑰</p>  <p>1PC</p>	<p>⑱</p>  <p>1PC</p>	<p>⑳</p>  <p>2PC</p>	<p>㉒</p>  <p>1PC</p>
		<p>㉑</p>  <p>3PC</p>	<p>㉓</p>  <p>3PC</p>
<p>㉔</p>  <p>1PC</p>	<p>㉗</p>  <p>1PC</p>	<p>㉘</p>  <p>1PC</p>	<p>㉚</p>  <p>3PC</p>
<p>㉕</p>  <p>1PC</p>		<p>㉙</p>  <p>1PC</p>	

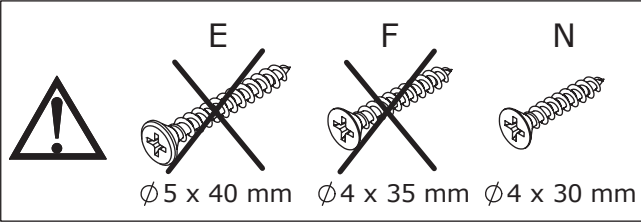
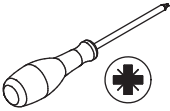
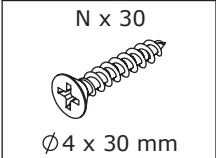
1



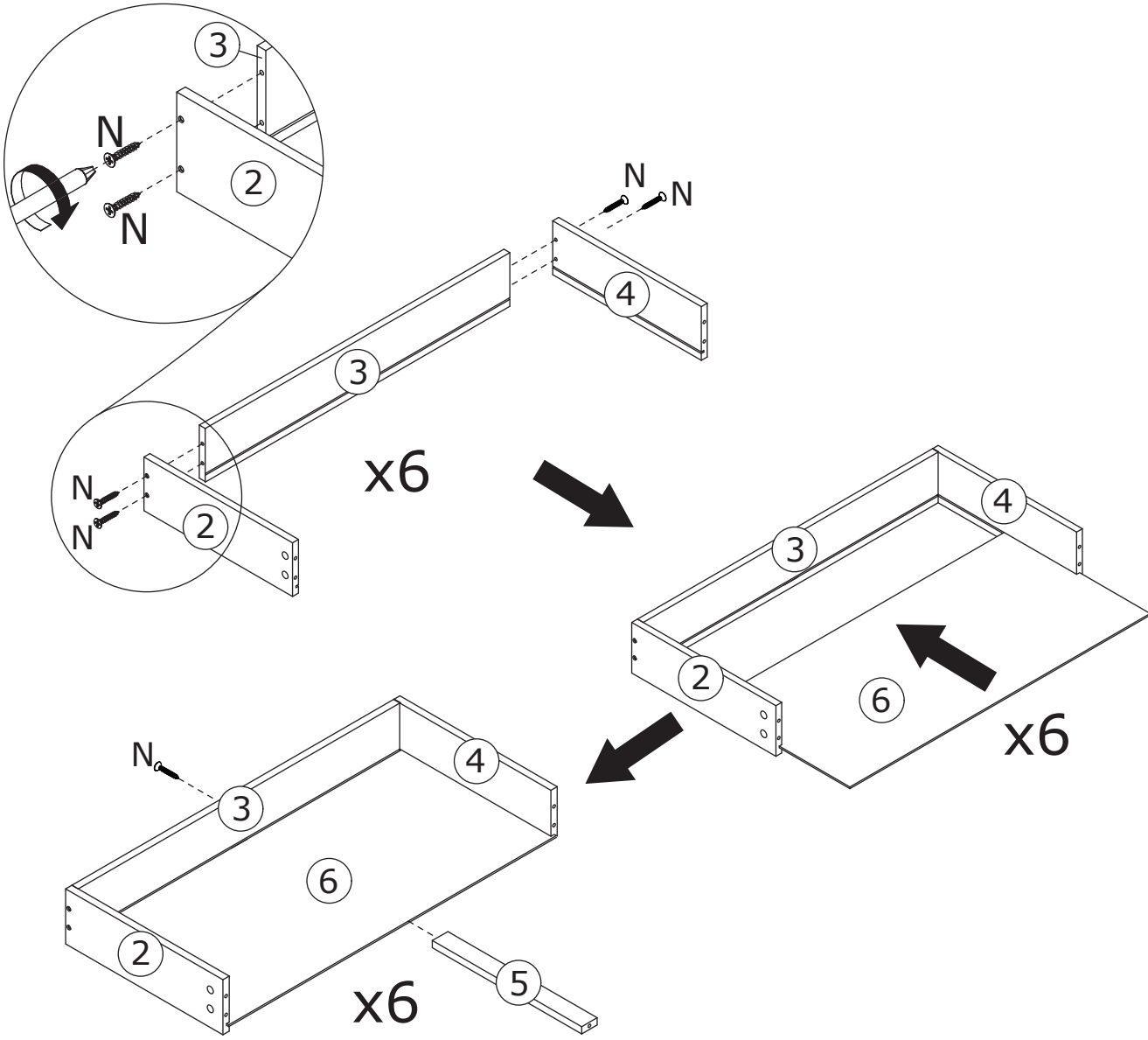
Screw eccentric rod (B) into part 1 and 30.



2

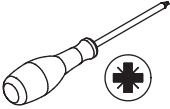


Connect parts 2, 3, 4 and 5 using screws (N).
Insert part 6 along the available slots.

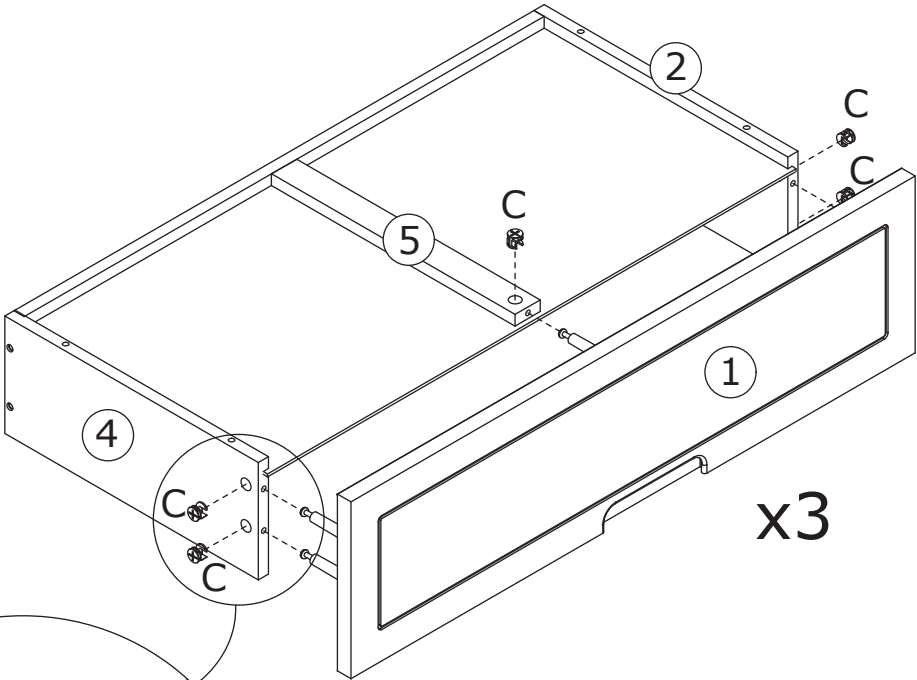
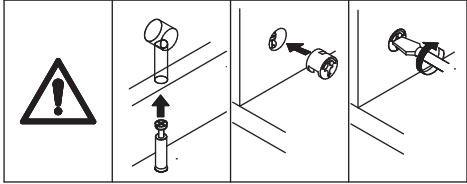


3

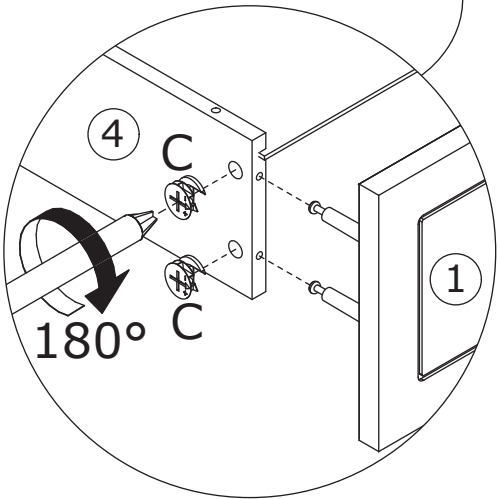
C x 30
Ø15 x 10 mm



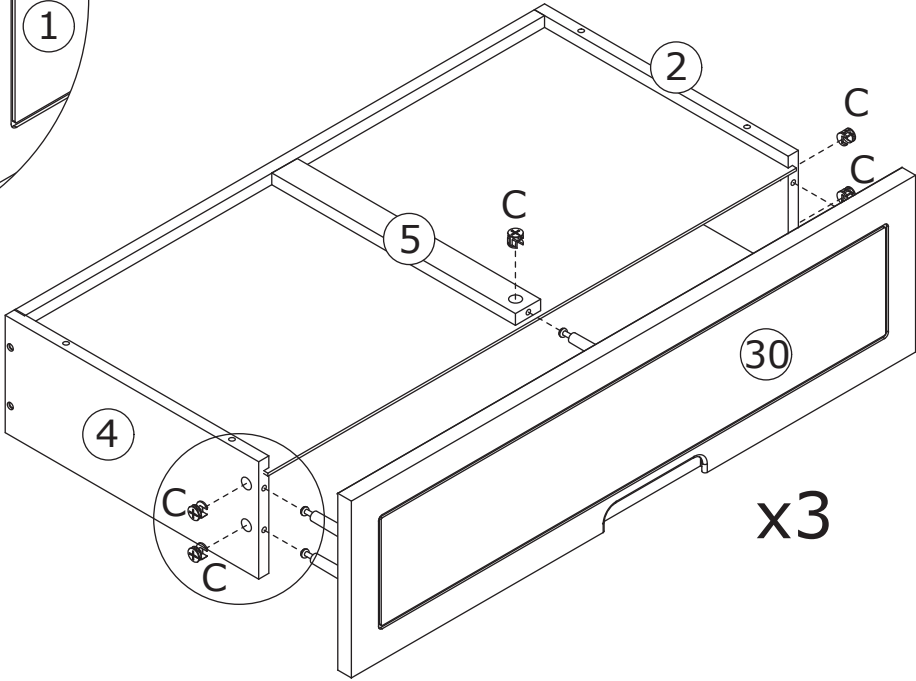
Connect parts 1 and 30 to parts 2 and 4 respectively using cam locks (C), then rotate clockwise to lock.



x3

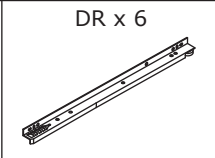
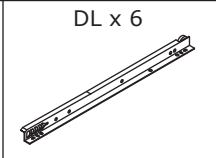
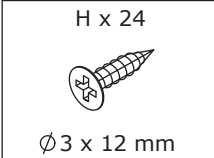


180°

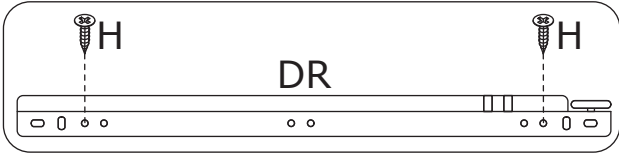
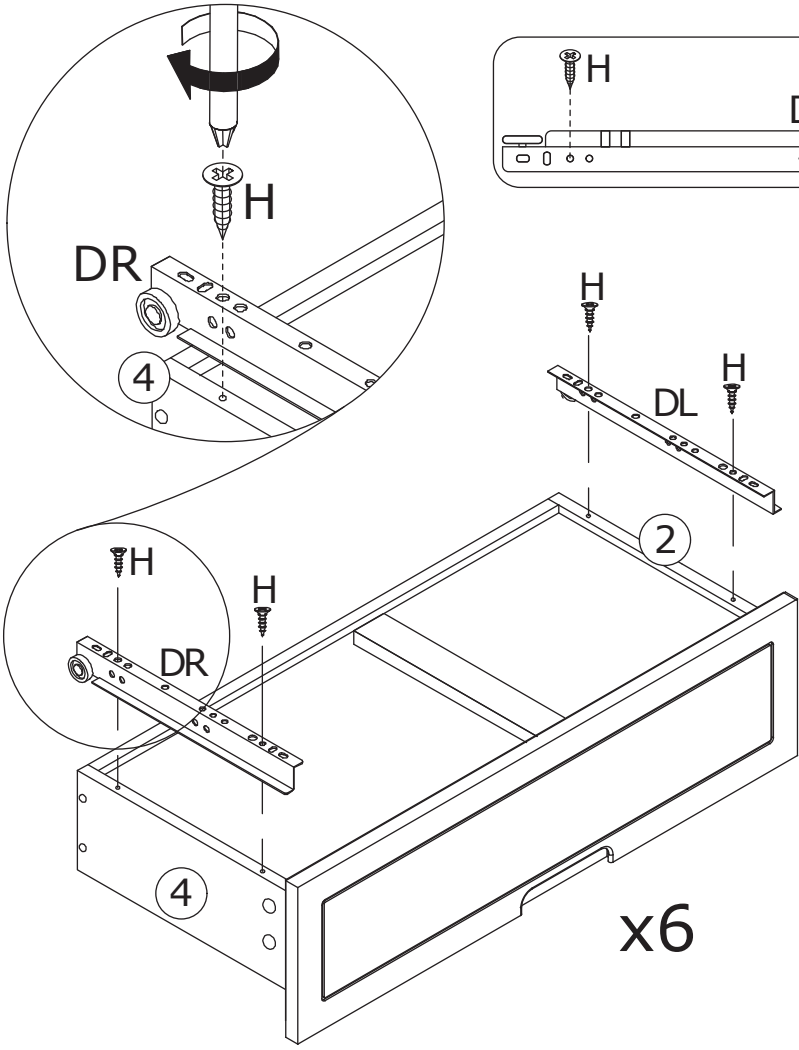
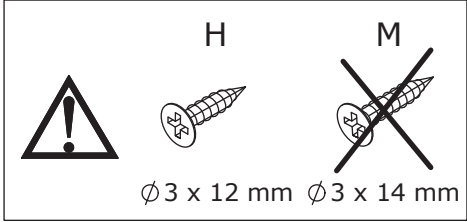


x3

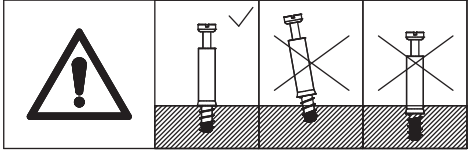
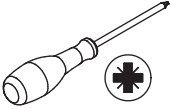
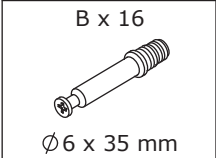
4



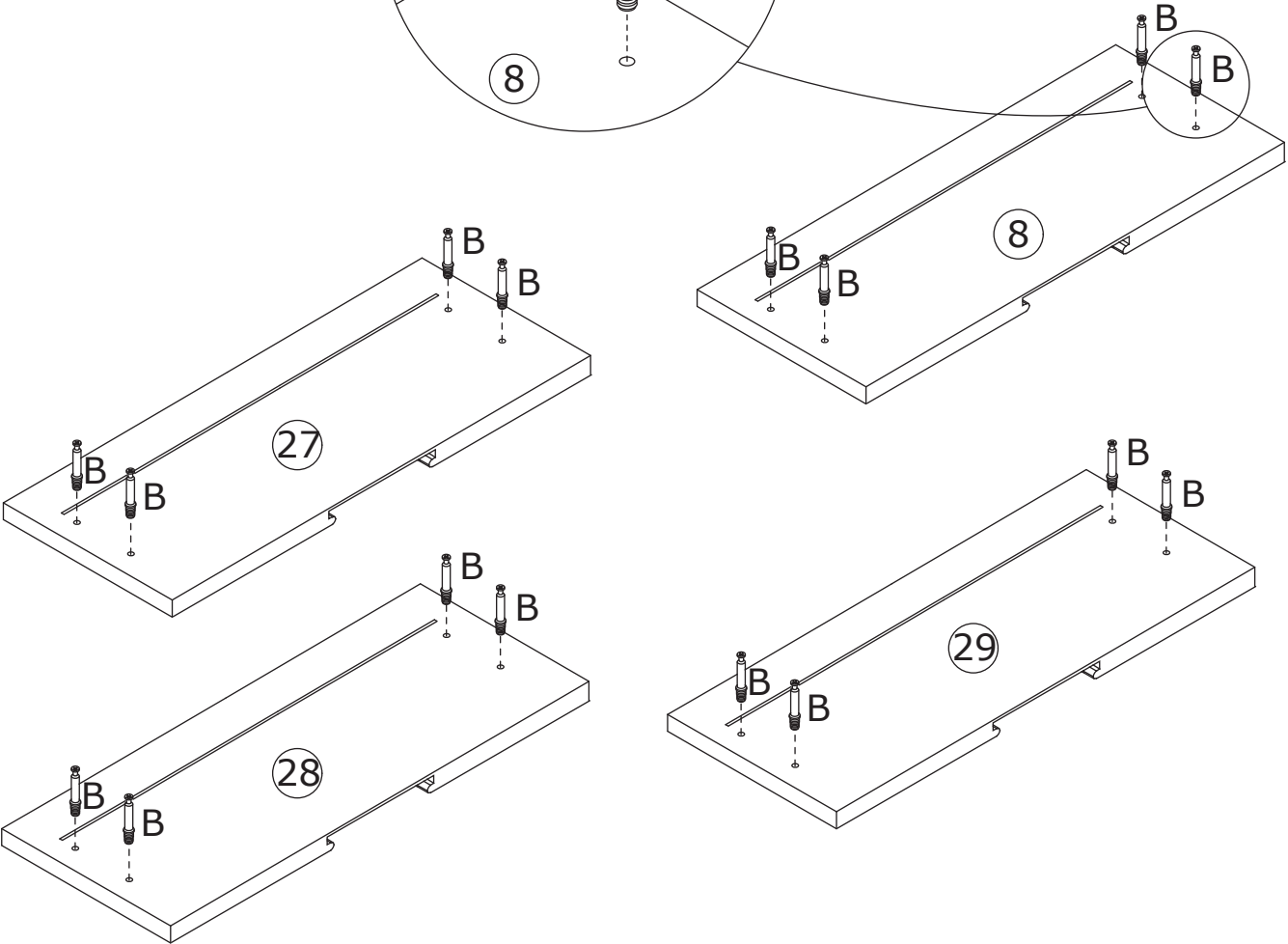
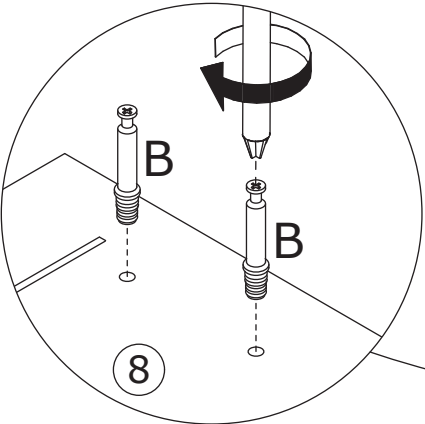
Place the left slide rail (DL) and right slide rail (DR) onto parts 2, 4, and secure with screws (H).



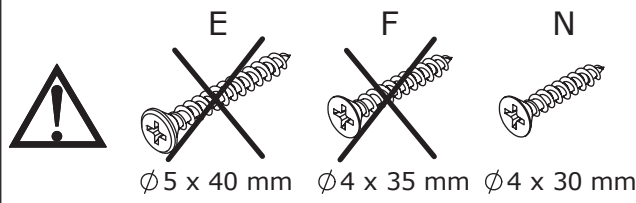
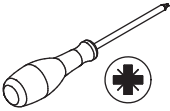
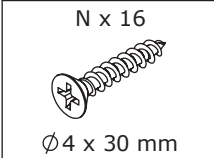
5



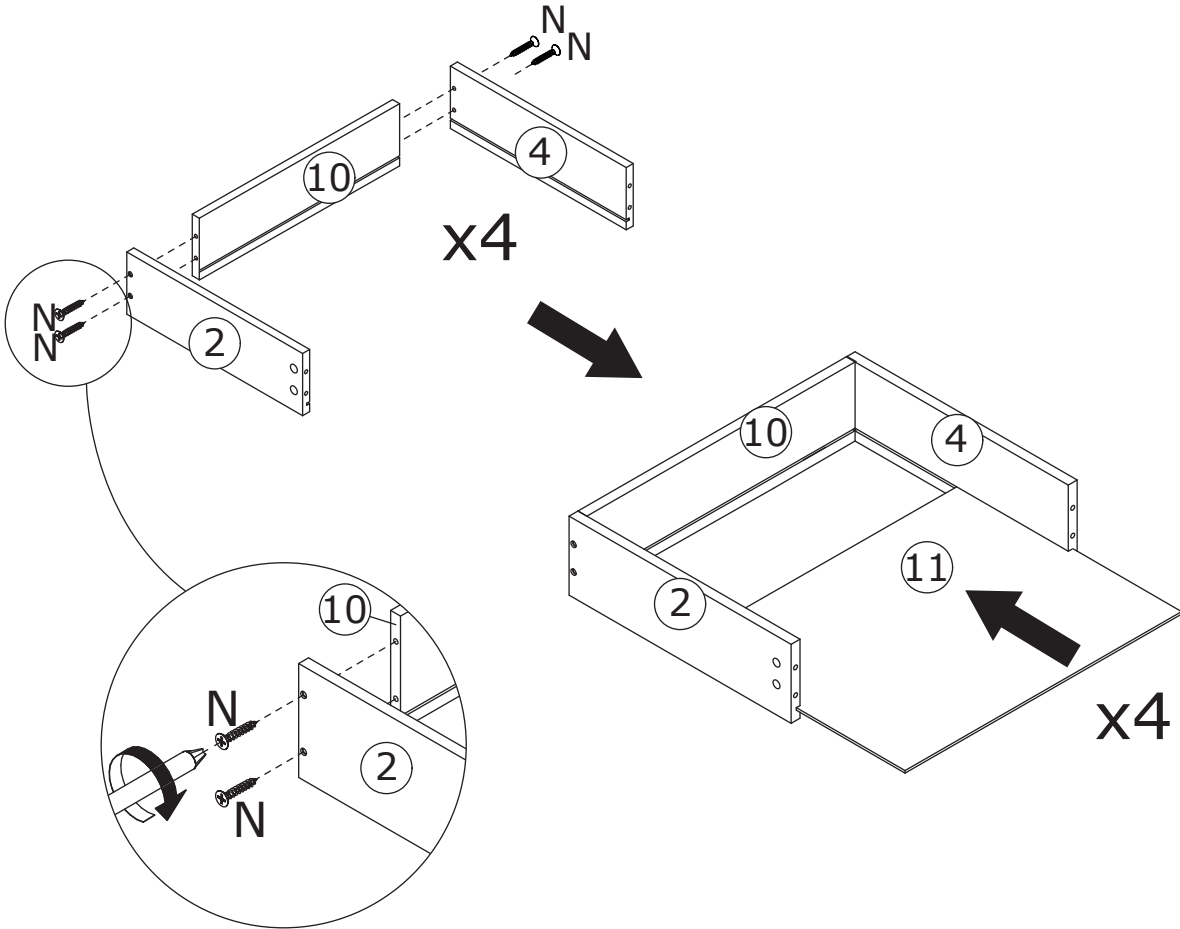
Screw eccentric rod (B) into parts 8, 27, 28, and 29.



6

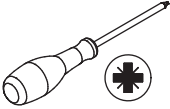


Connect parts 2, 4, and 10 using screws (N).
Insert part 11 along the available slots.

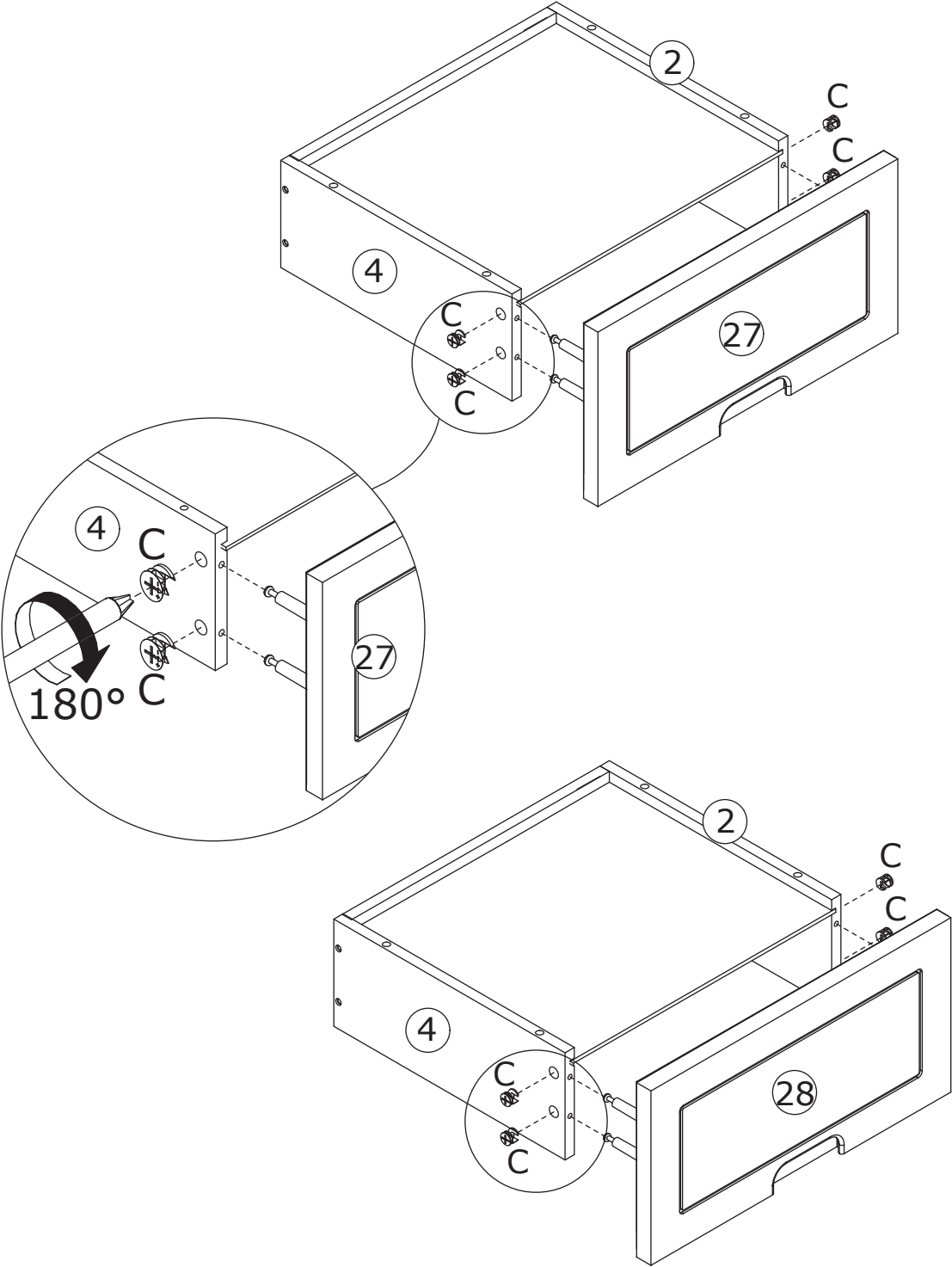
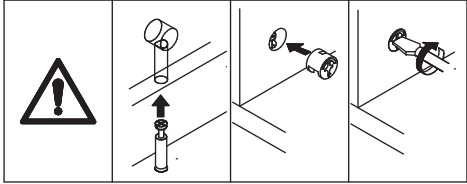


7

C x 8
Ø15 x 10 mm

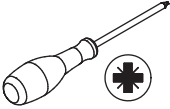


Connect parts 27 and 28 to parts 2 and 4 respectively using cam locks (C), then rotate clockwise to lock.

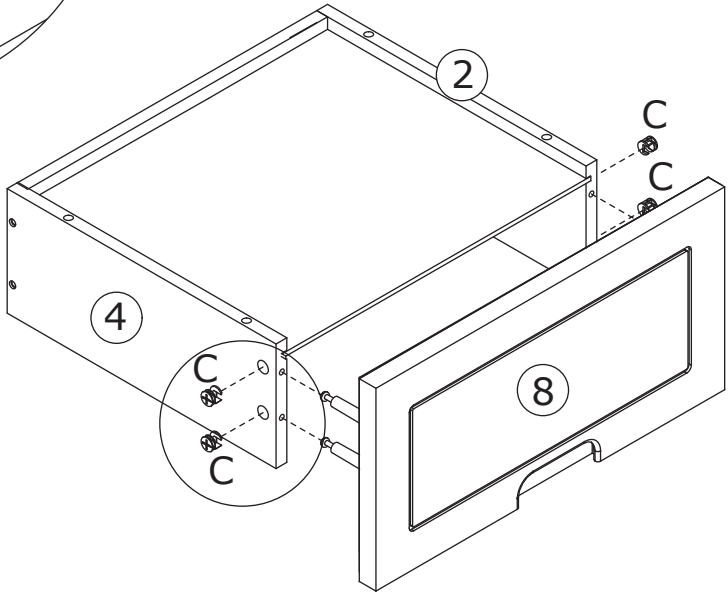
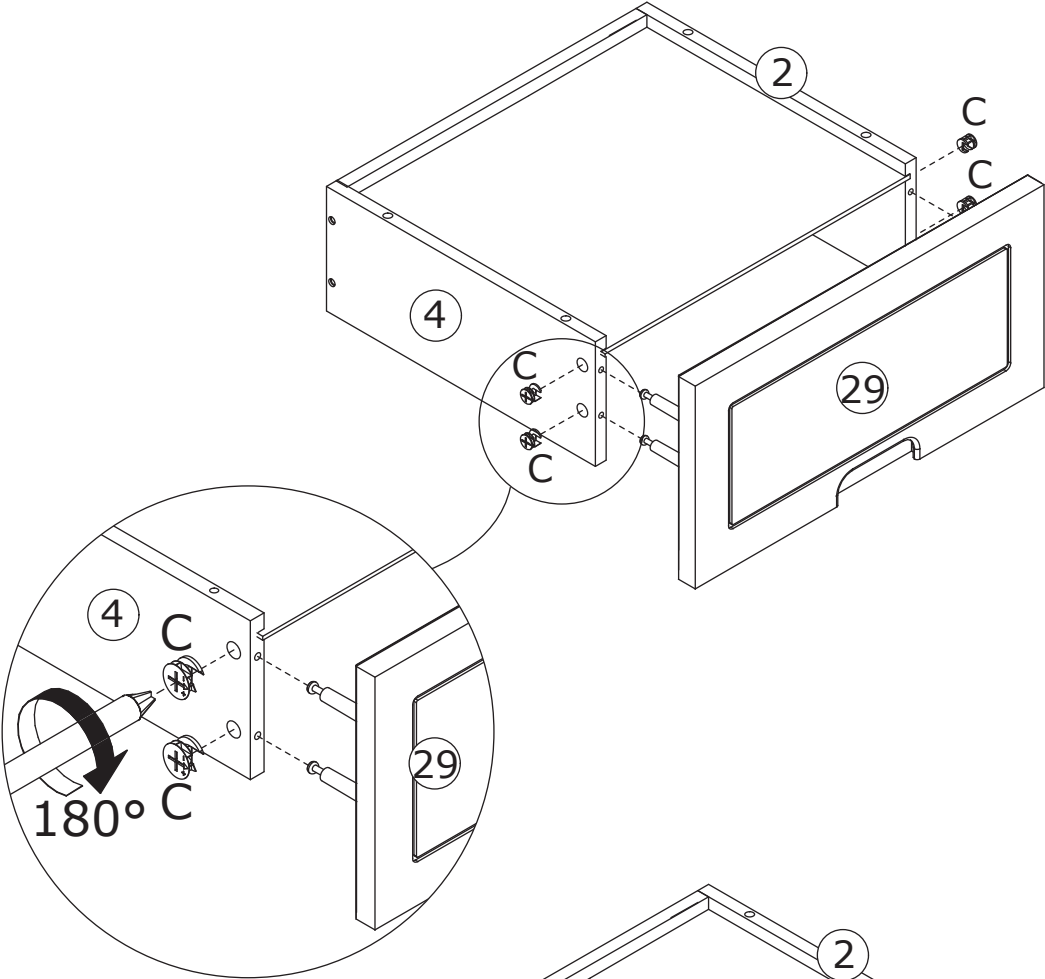
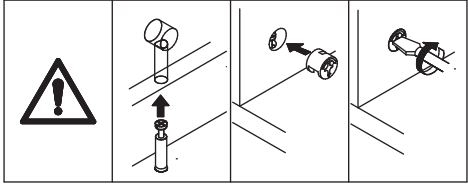


8

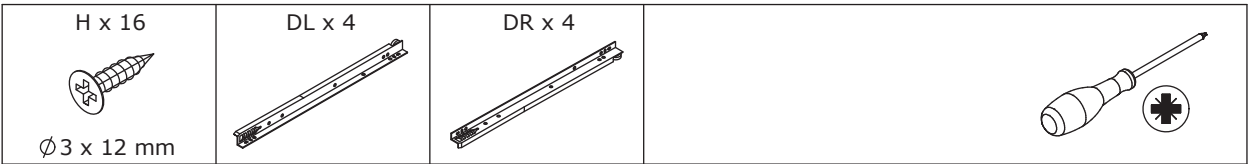
C x 8
Ø15 x 10 mm



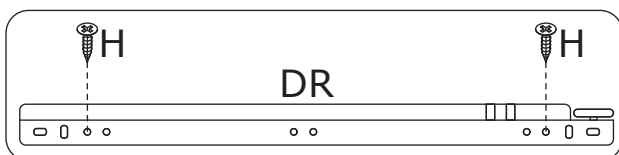
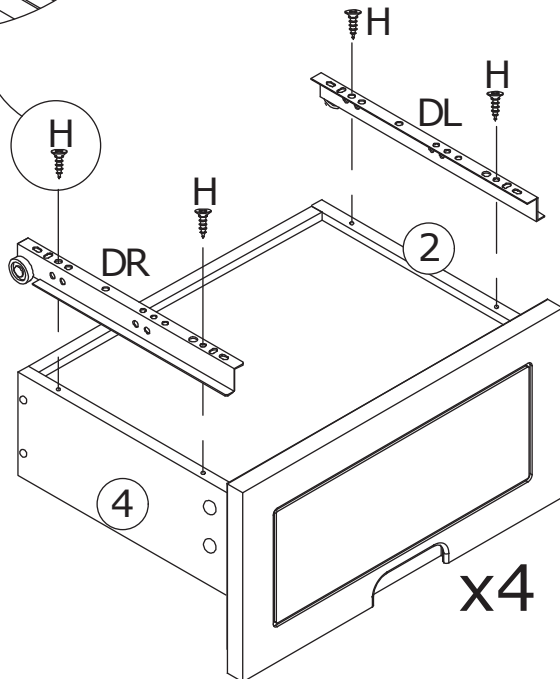
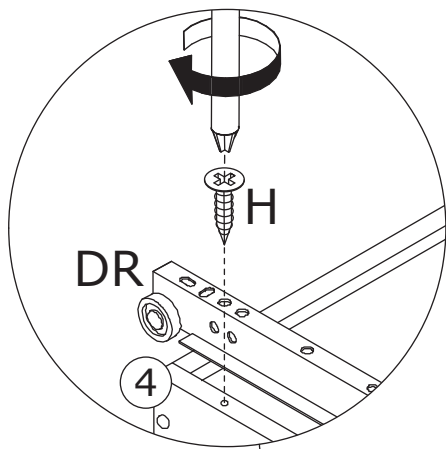
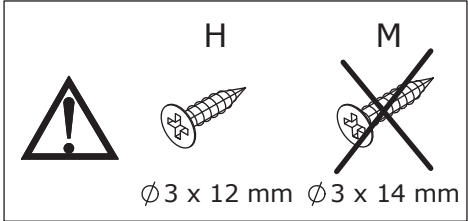
Connect parts 29 and 8 to parts 2 and 4 respectively using cam locks (C), then rotate clockwise to lock.



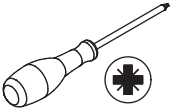
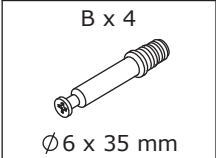
9



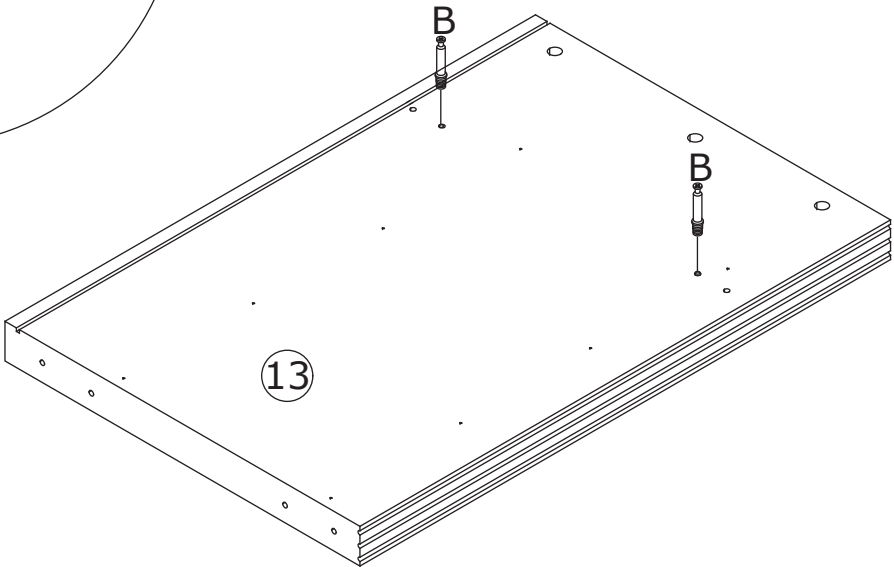
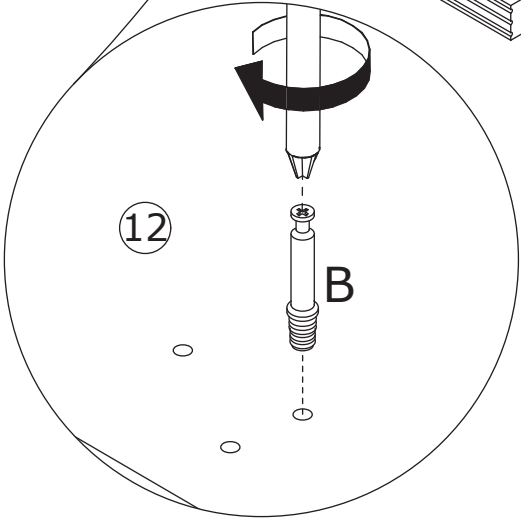
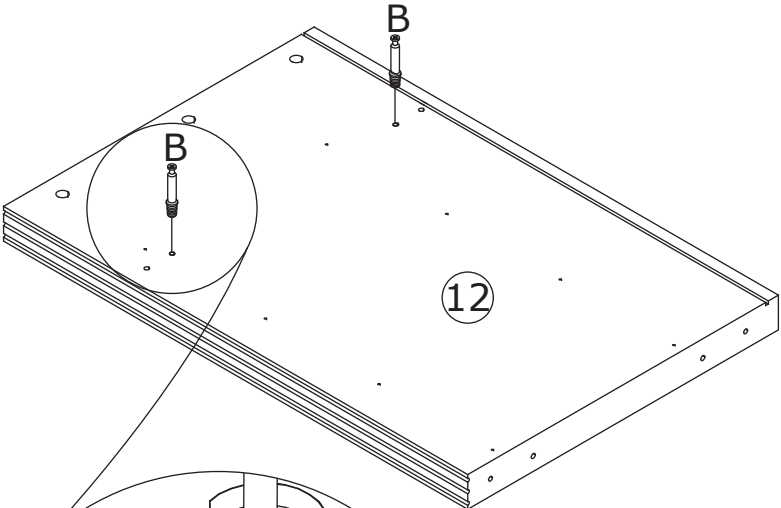
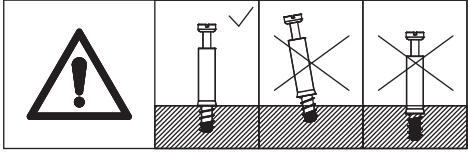
Place the left slide rail (DL) and right slide rail (DR) onto parts 2 and 4, then secure with screws (H).



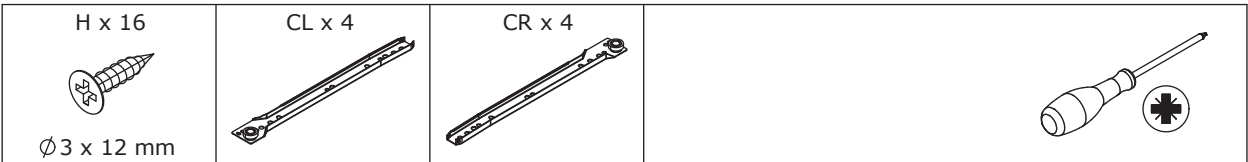
10



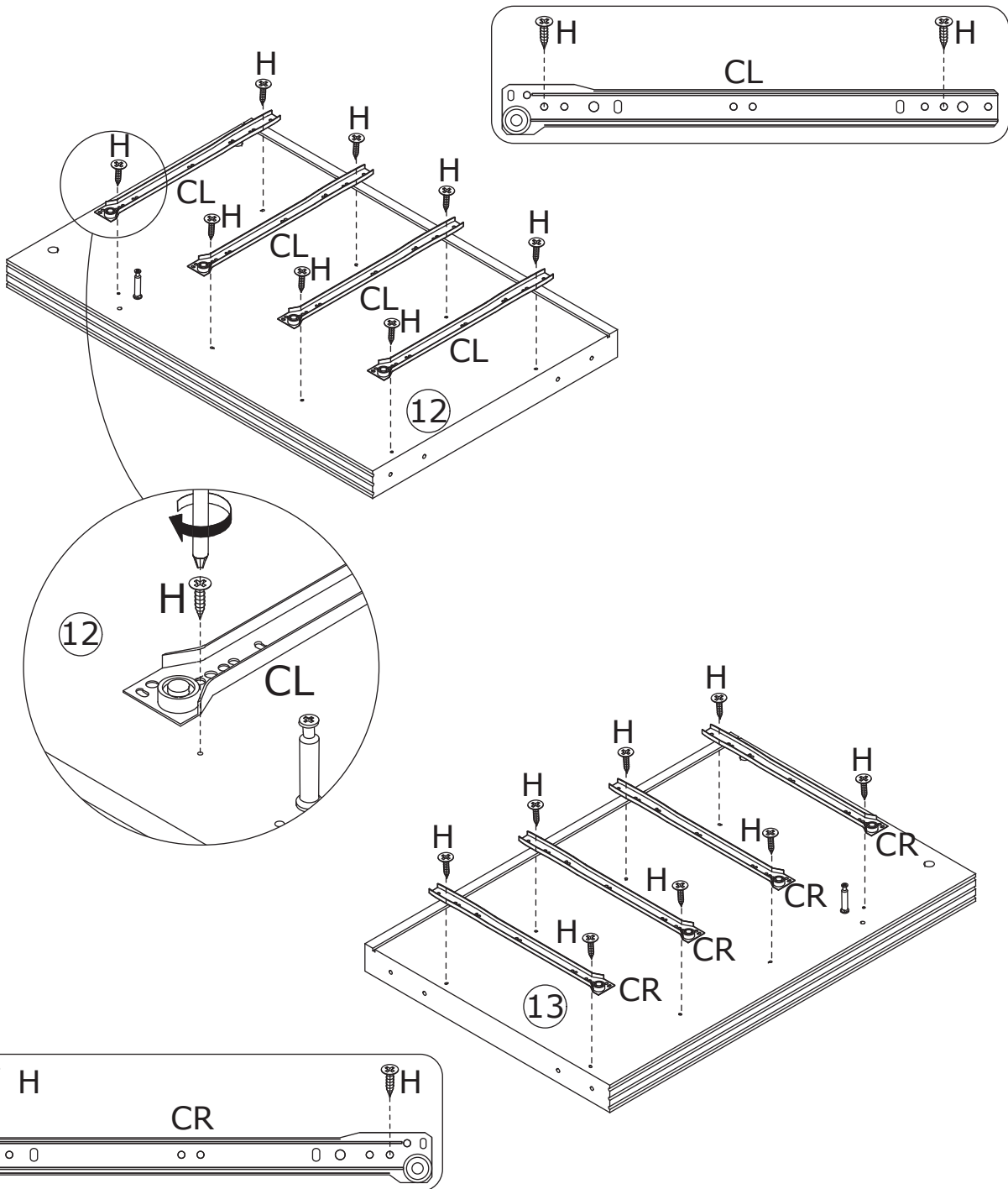
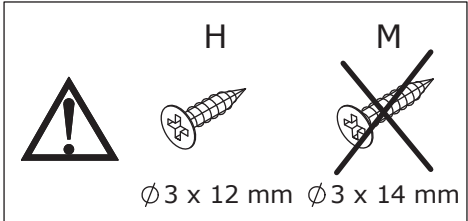
Screw eccentric rod (B) into parts 12 and 13.



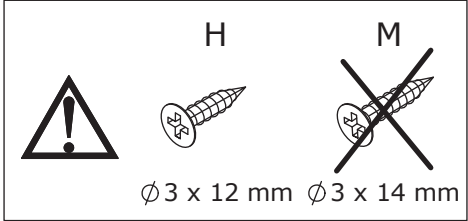
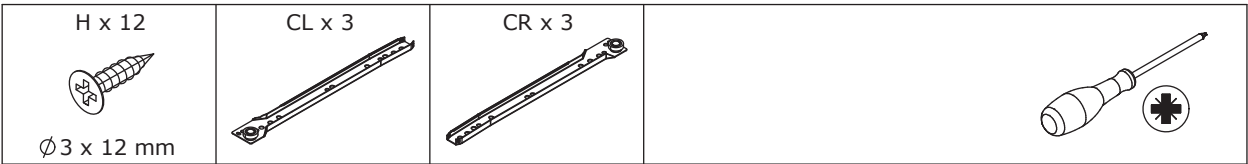
11



Place the left slide rail (CL) and right slide rail (CR) onto parts 12, 13 and secure with screws (H).

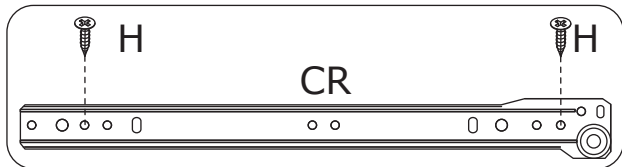
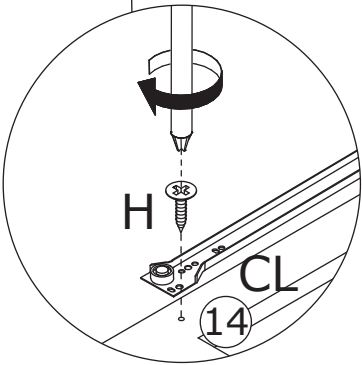
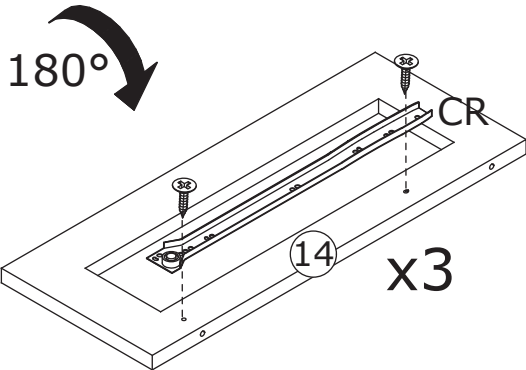
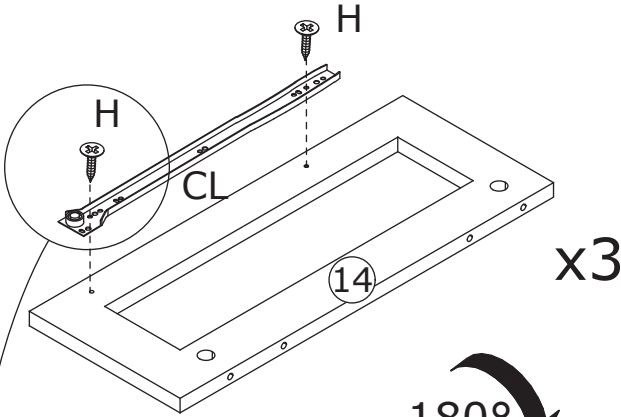
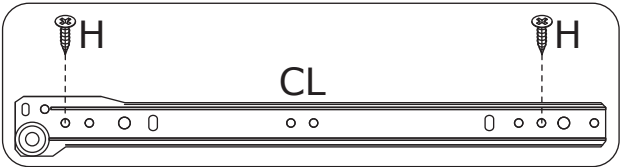


12

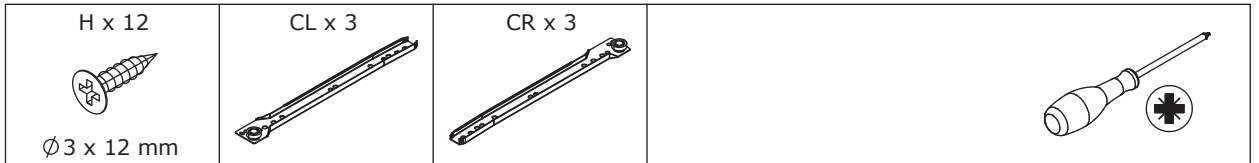


Place the left slide rail (CL) onto part 14 and secure with screws (H).

Flip 180°, then place the right slide rail (CR) onto part 14 and secure with screws (H).

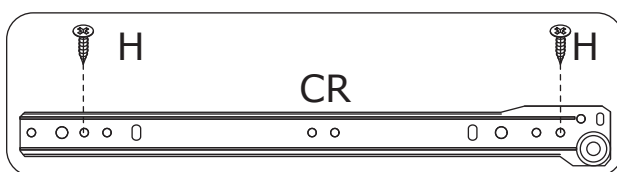
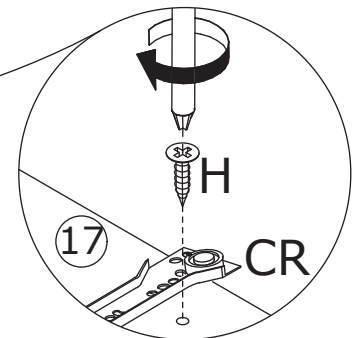
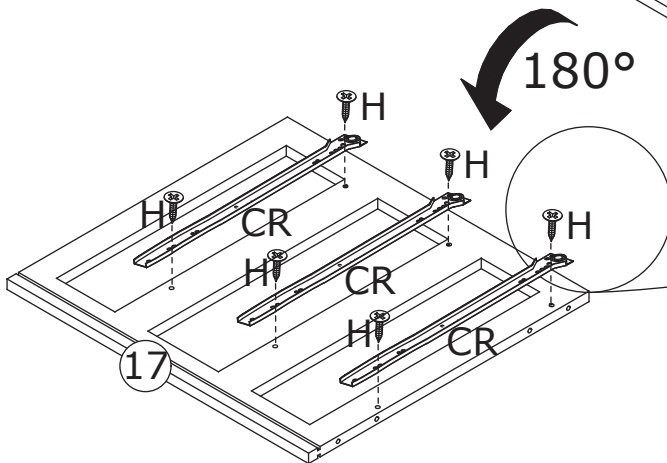
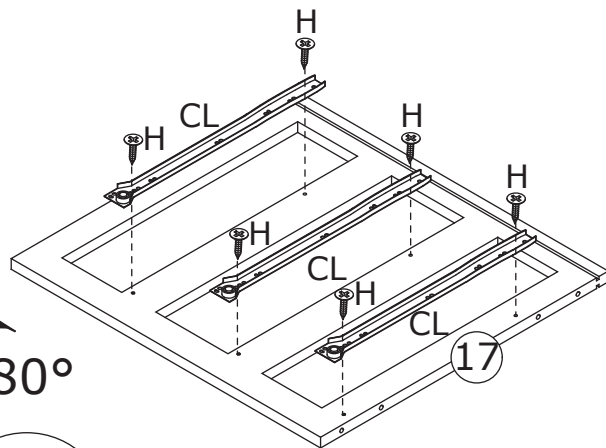
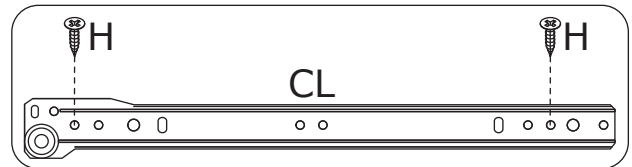
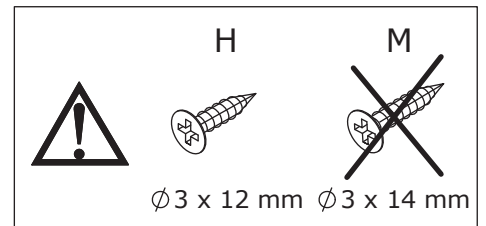


13

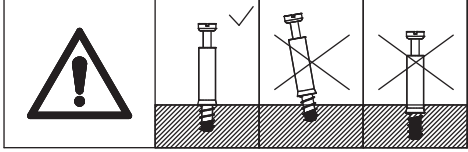
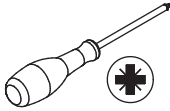
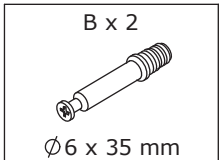


Place the left slide rail (CL) onto part 17 and secure with screws (H).

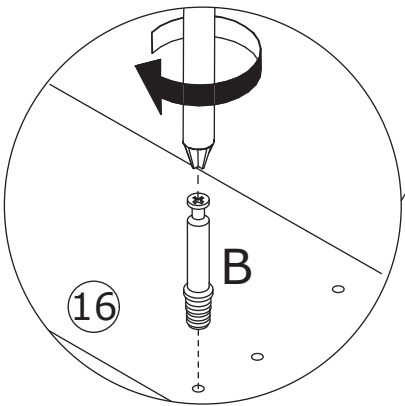
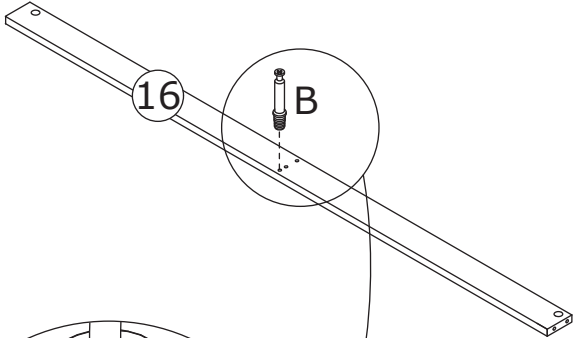
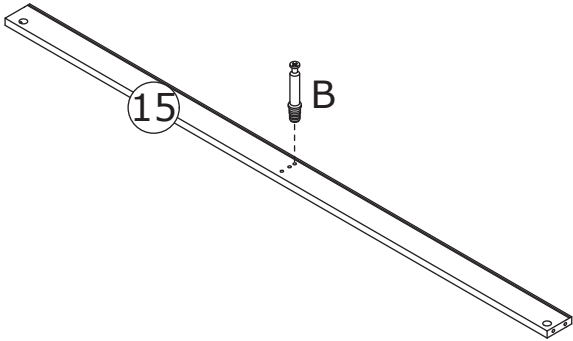
Flip 180°, then place the right slide rail (CR) onto part 17 and secure with screws (H).



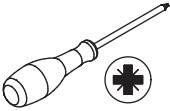
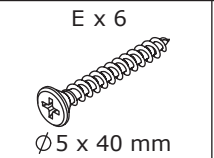
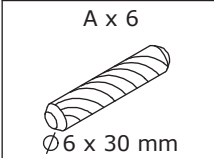
14



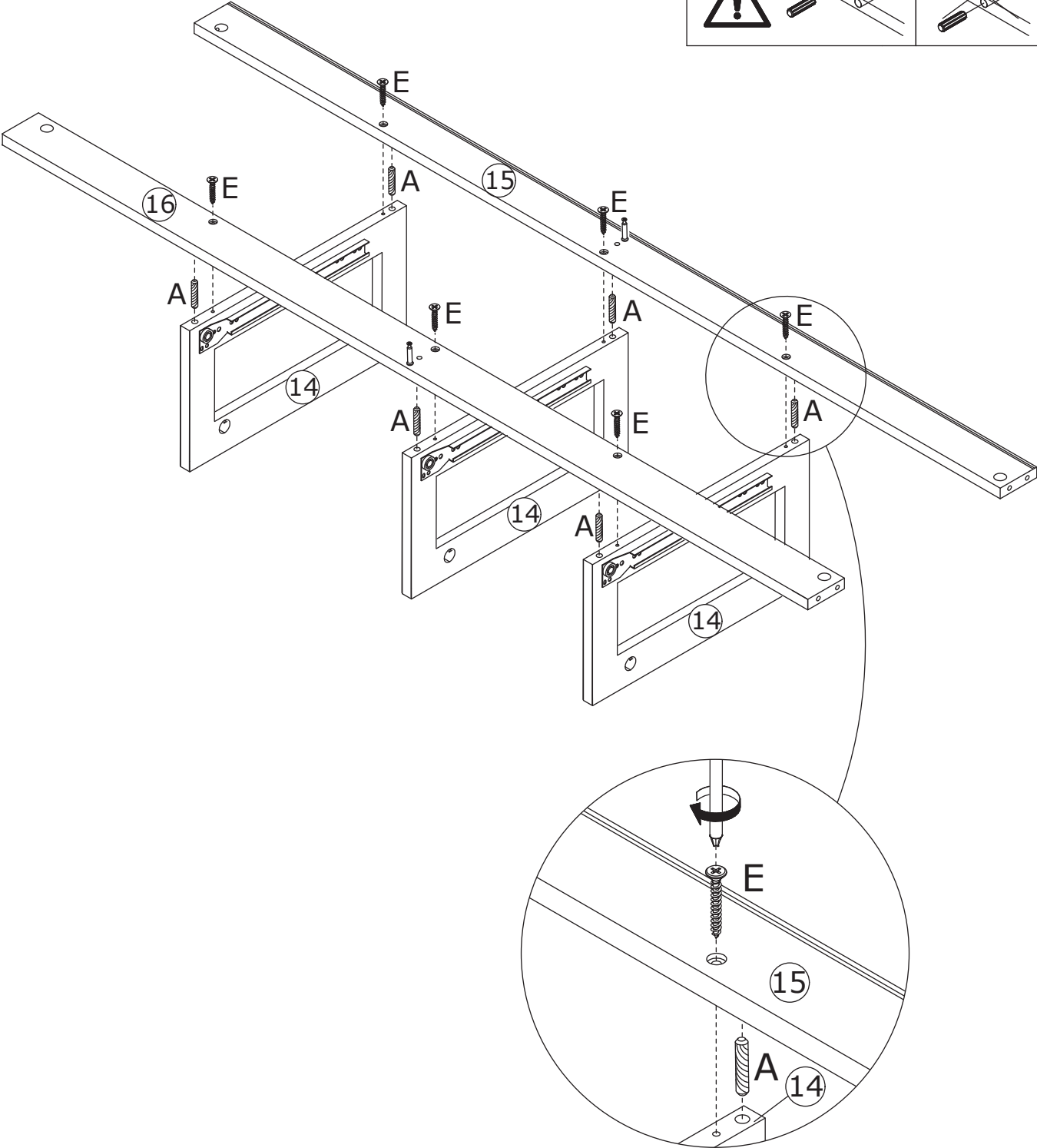
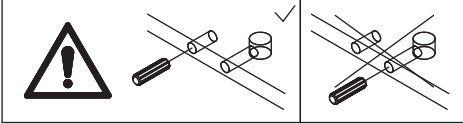
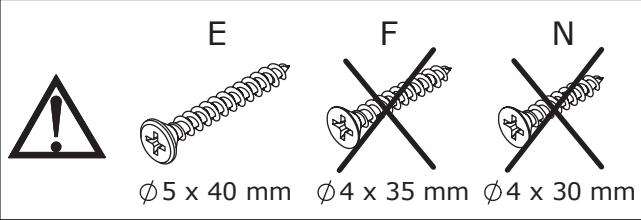
Screw eccentric rod (B) into parts 15, 16.



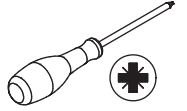
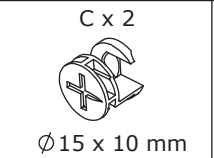
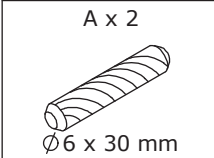
15



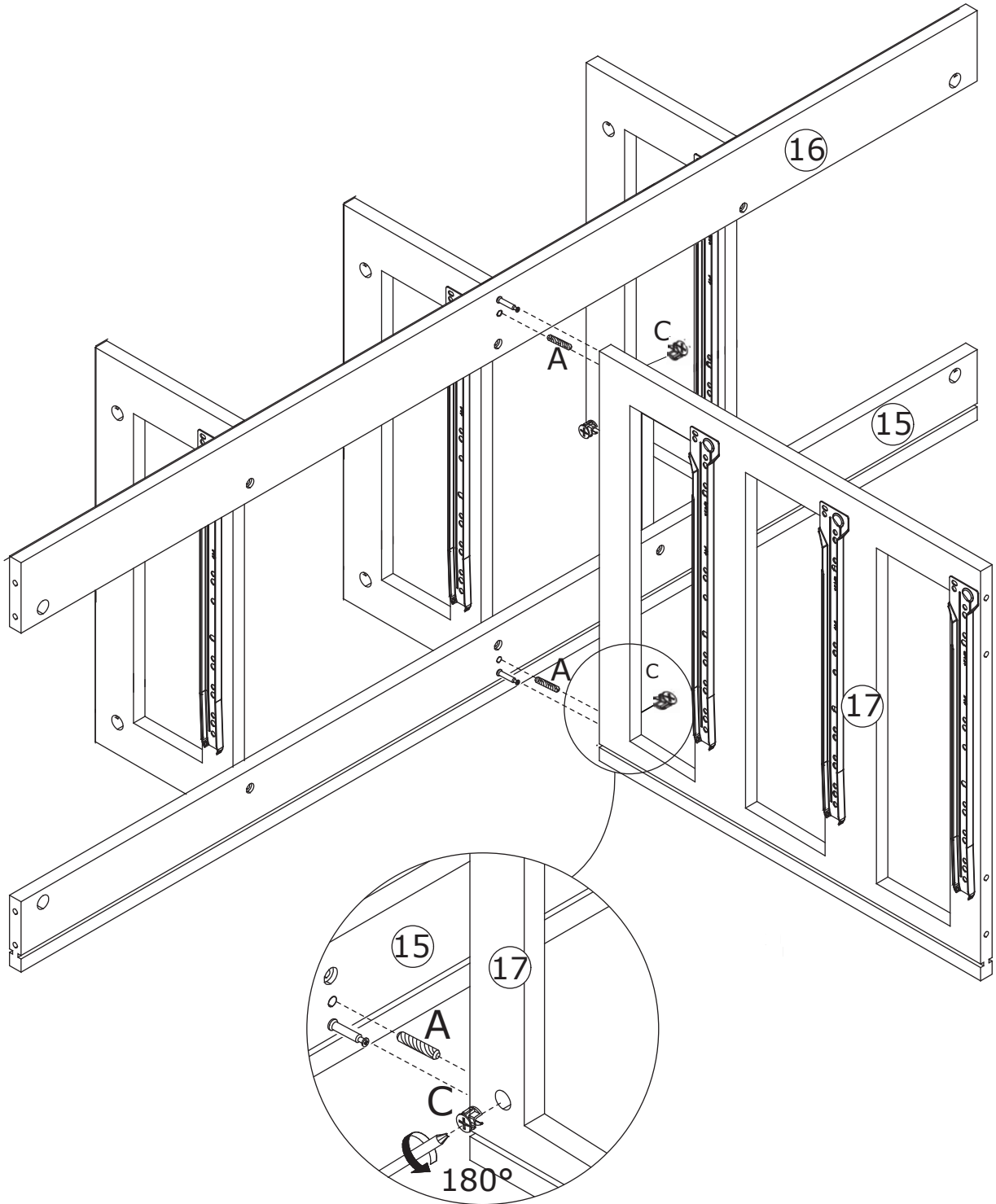
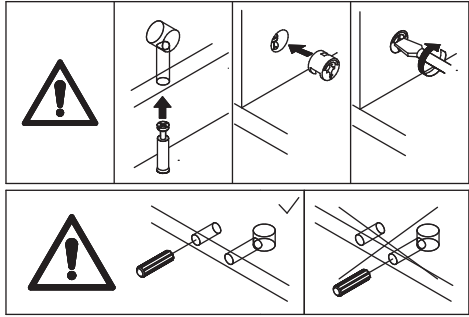
Insert dowels (A) into part 14, then connect parts 15, 16 to part 14 and secure with screws (E).



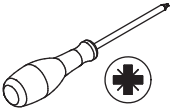
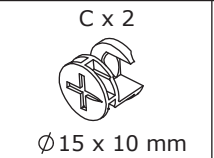
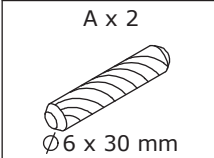
16



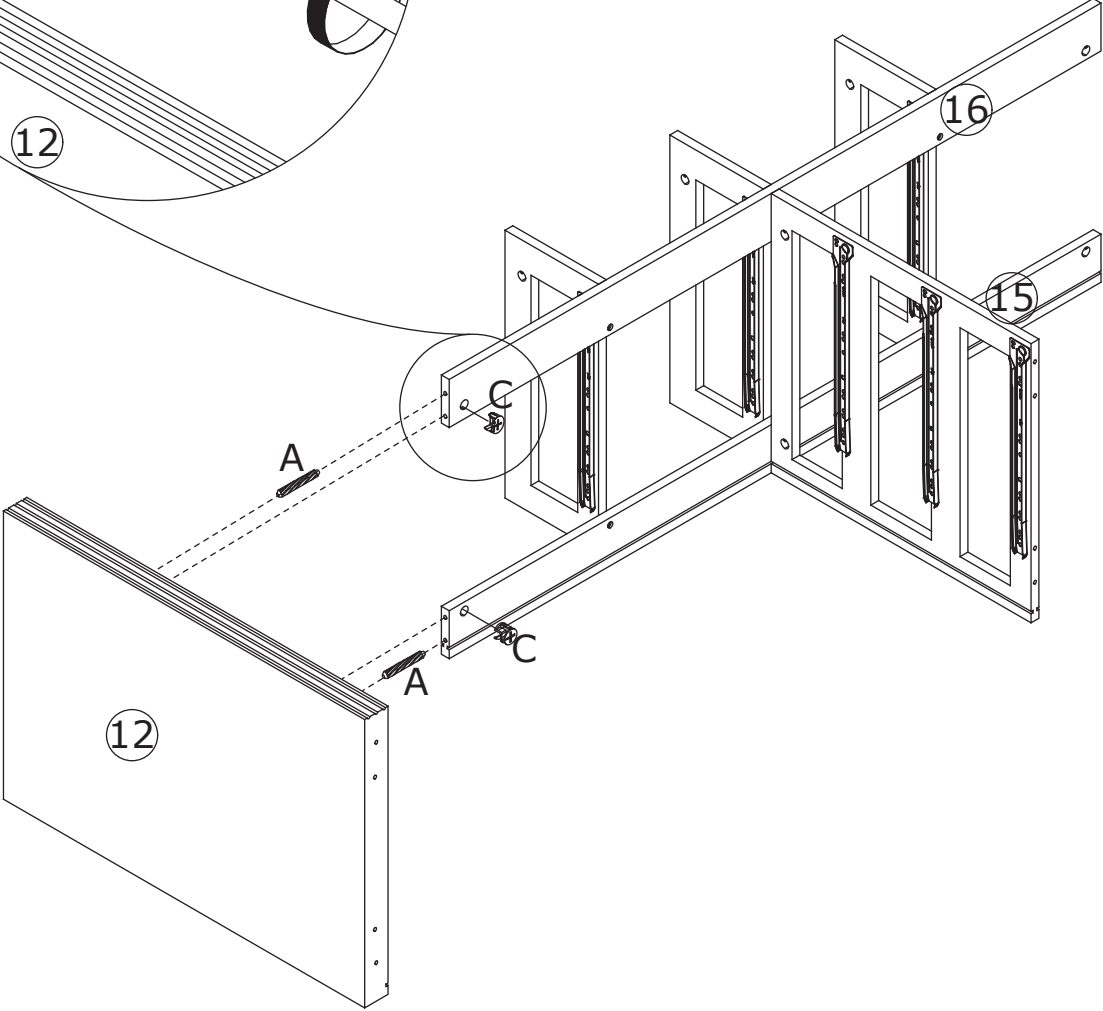
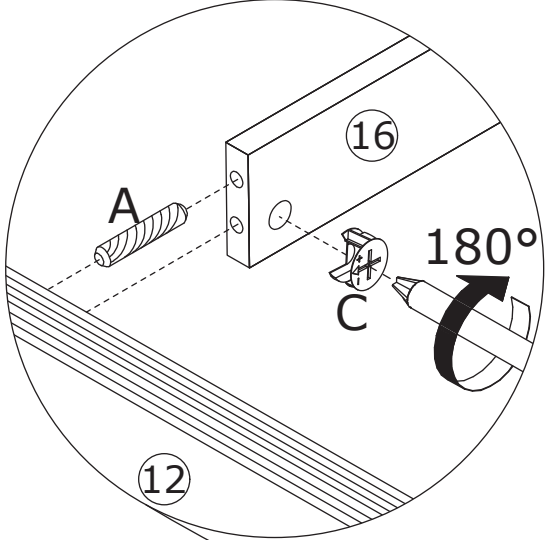
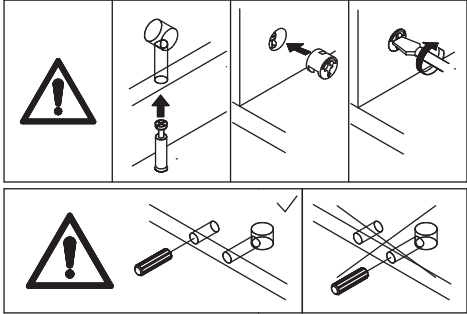
Insert dowels (A) into parts 15 and 16, then connect part 17 to parts 15 and 16 using cam locks (C), and rotate clockwise to lock.



17



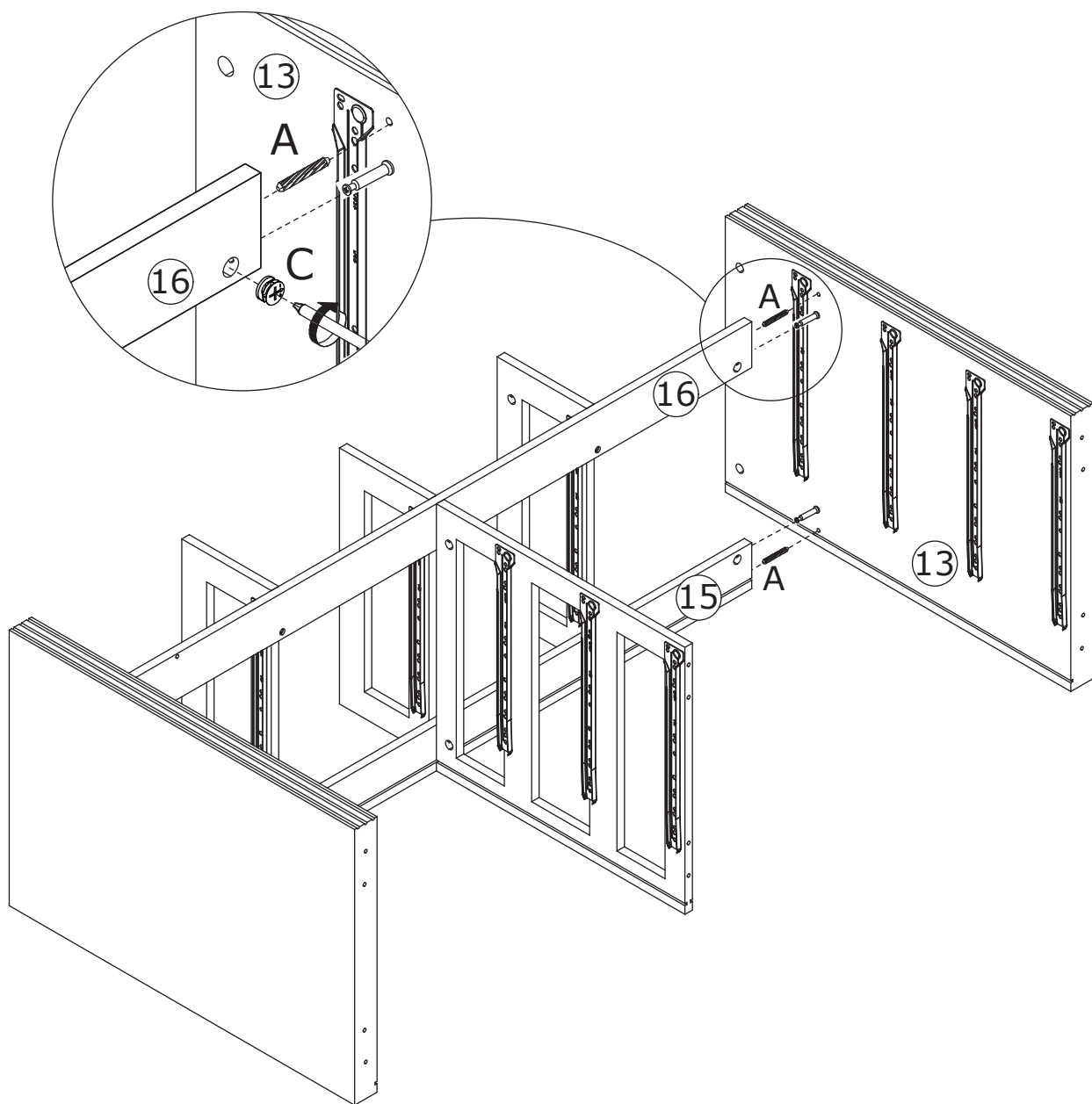
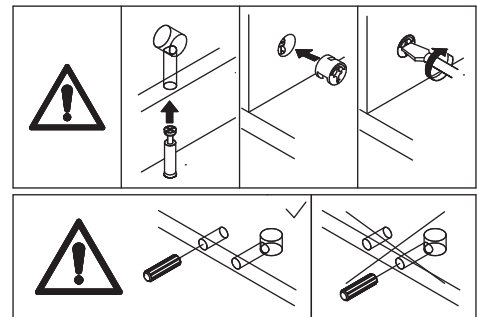
Insert dowels (A) into parts 15, 16 and 26, connect part 12 to parts 15, 16 and 26 using cam locks (C), then rotate clockwise to lock.



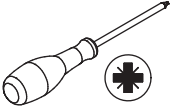
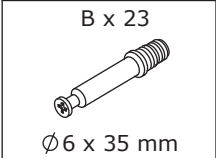
18



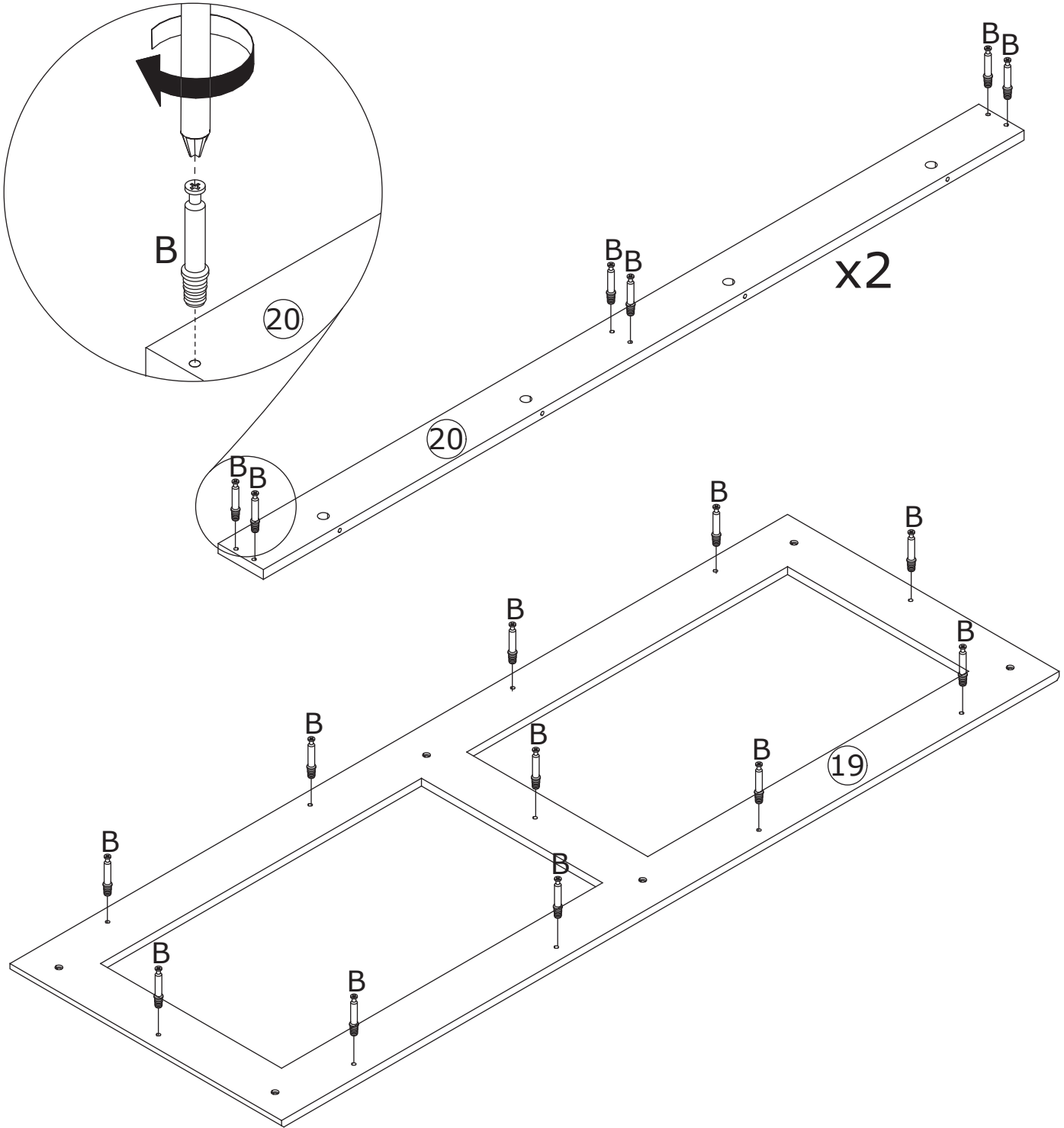
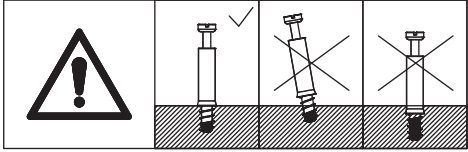
Insert dowels (A) into parts 15, 16 and 18, connect part 13 to parts 15, 16 and 18 using cam locks (C), then rotate clockwise to lock.



19

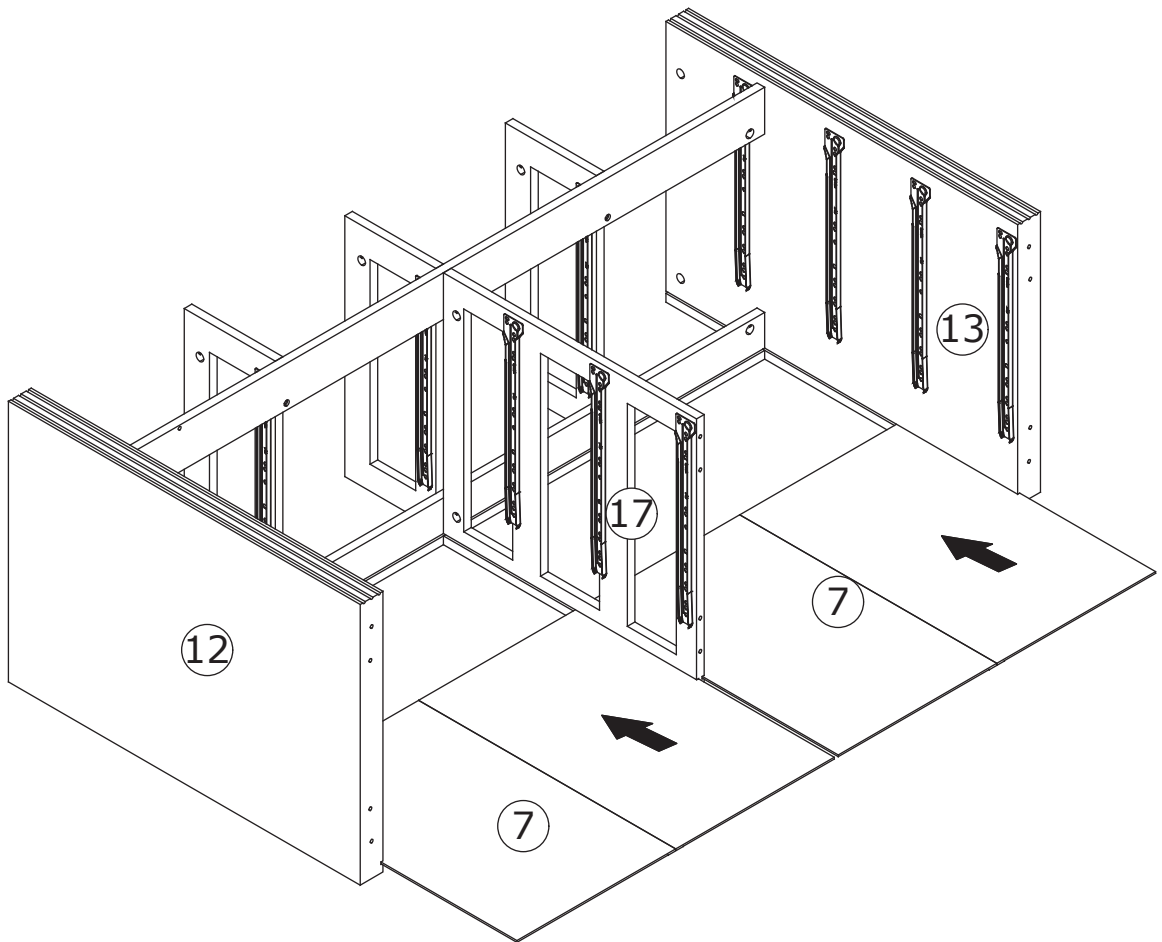


Screw eccentric rod (B) into parts 19 and 20.

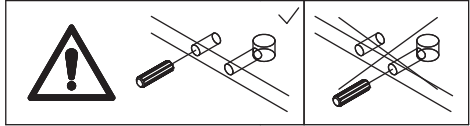
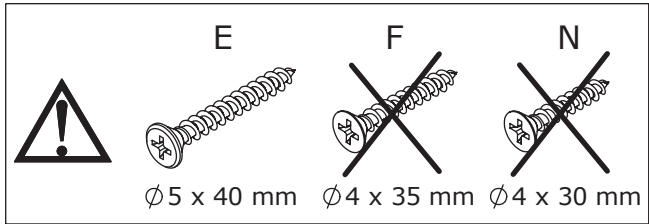


20

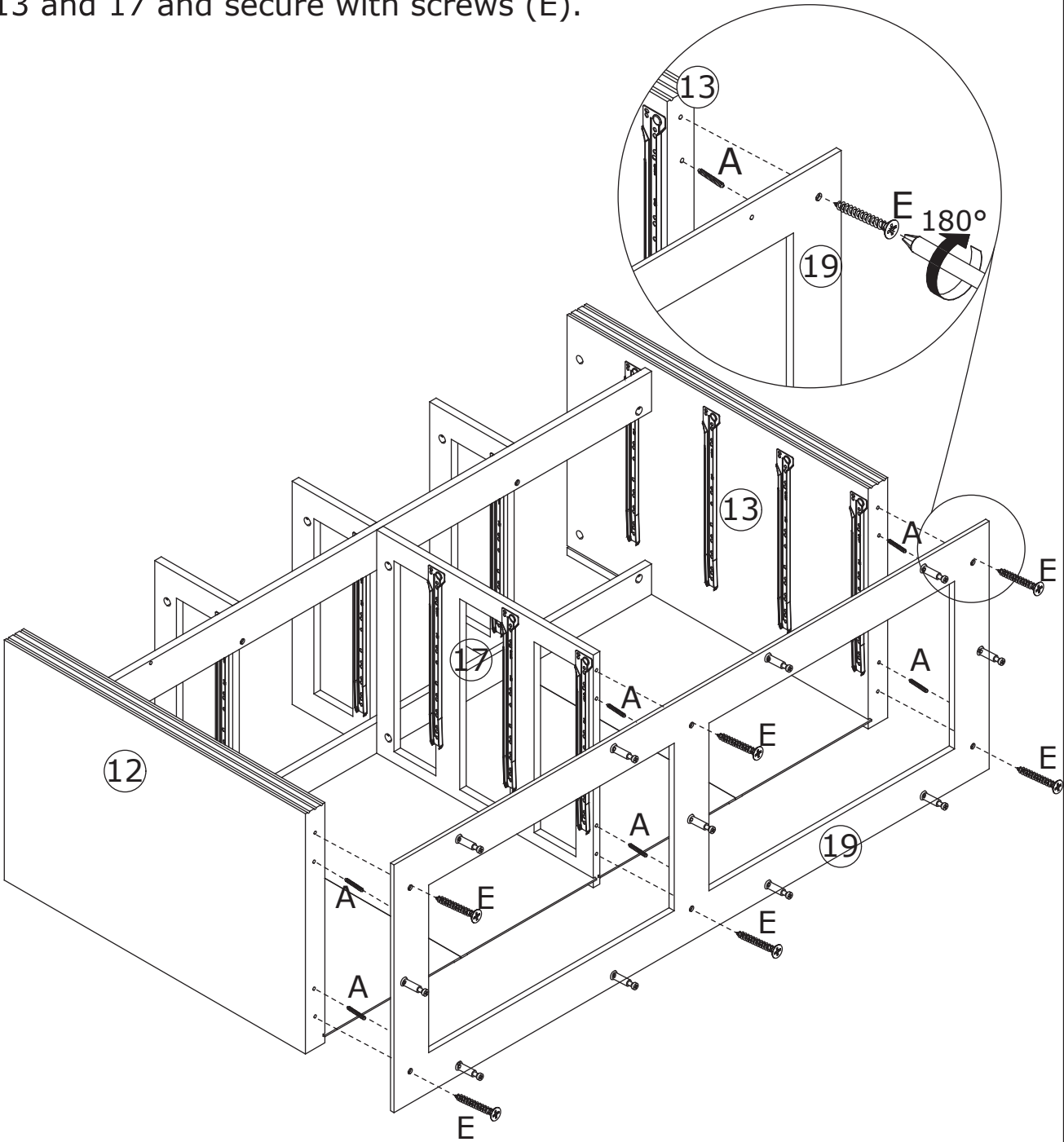
Insert part 17 along the available slots.



21

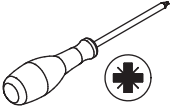


Insert dowels (A) into parts 12, 13 and 17, connect part 19 to parts 12, 13 and 17 and secure with screws (E).

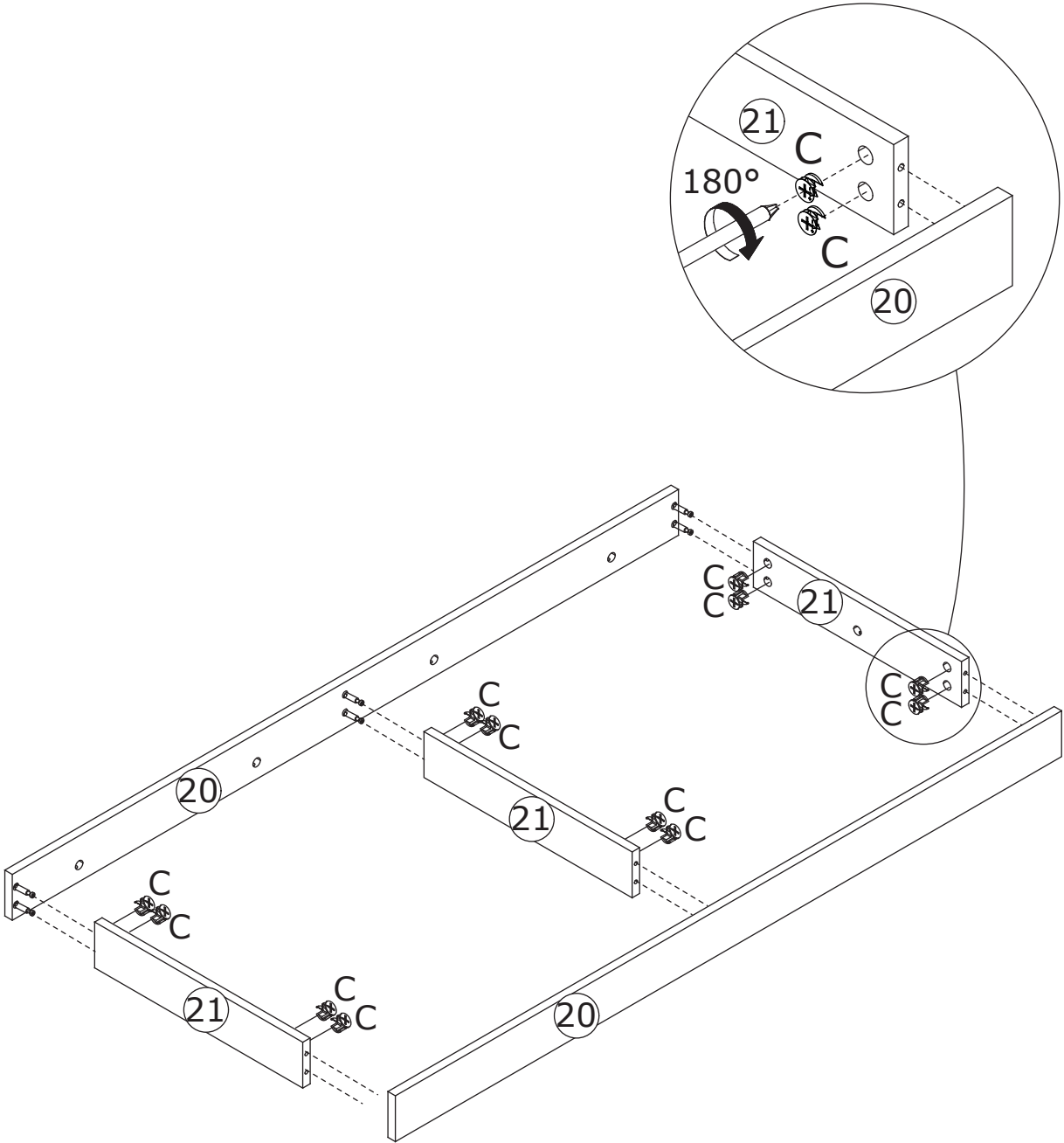
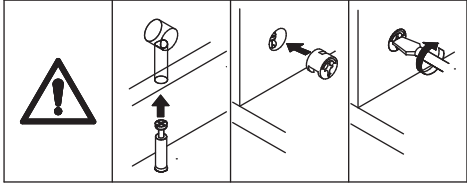


22

C x 12
Ø15 x 10 mm

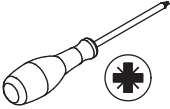


Connect part 20 to part 21 using cam locks (C), then rotate clockwise to lock.

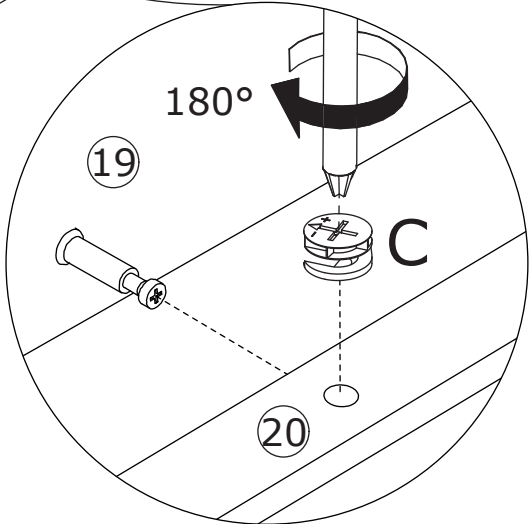
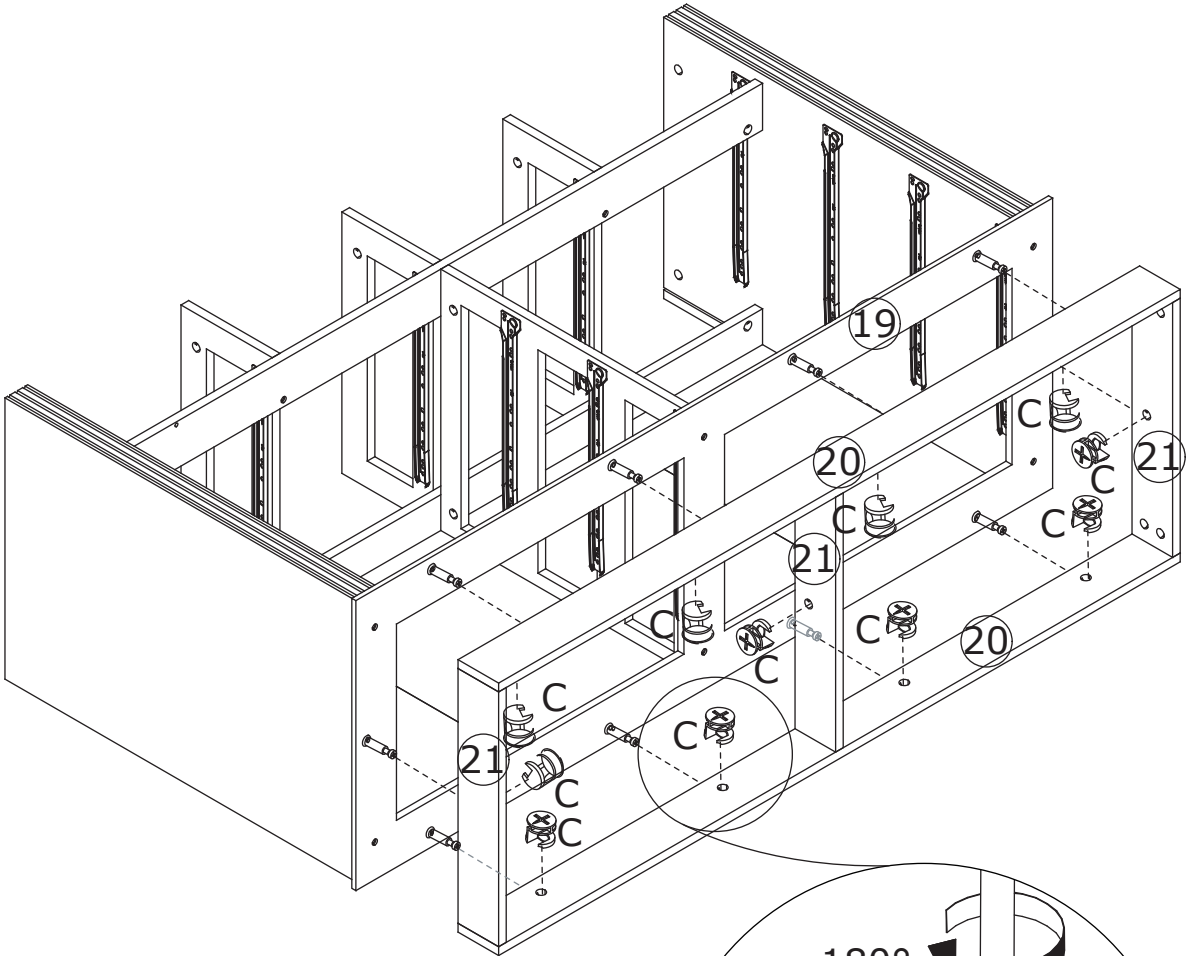
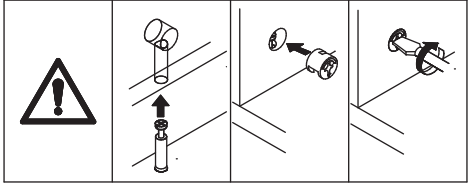


23

C x 11
Ø15 x 10 mm

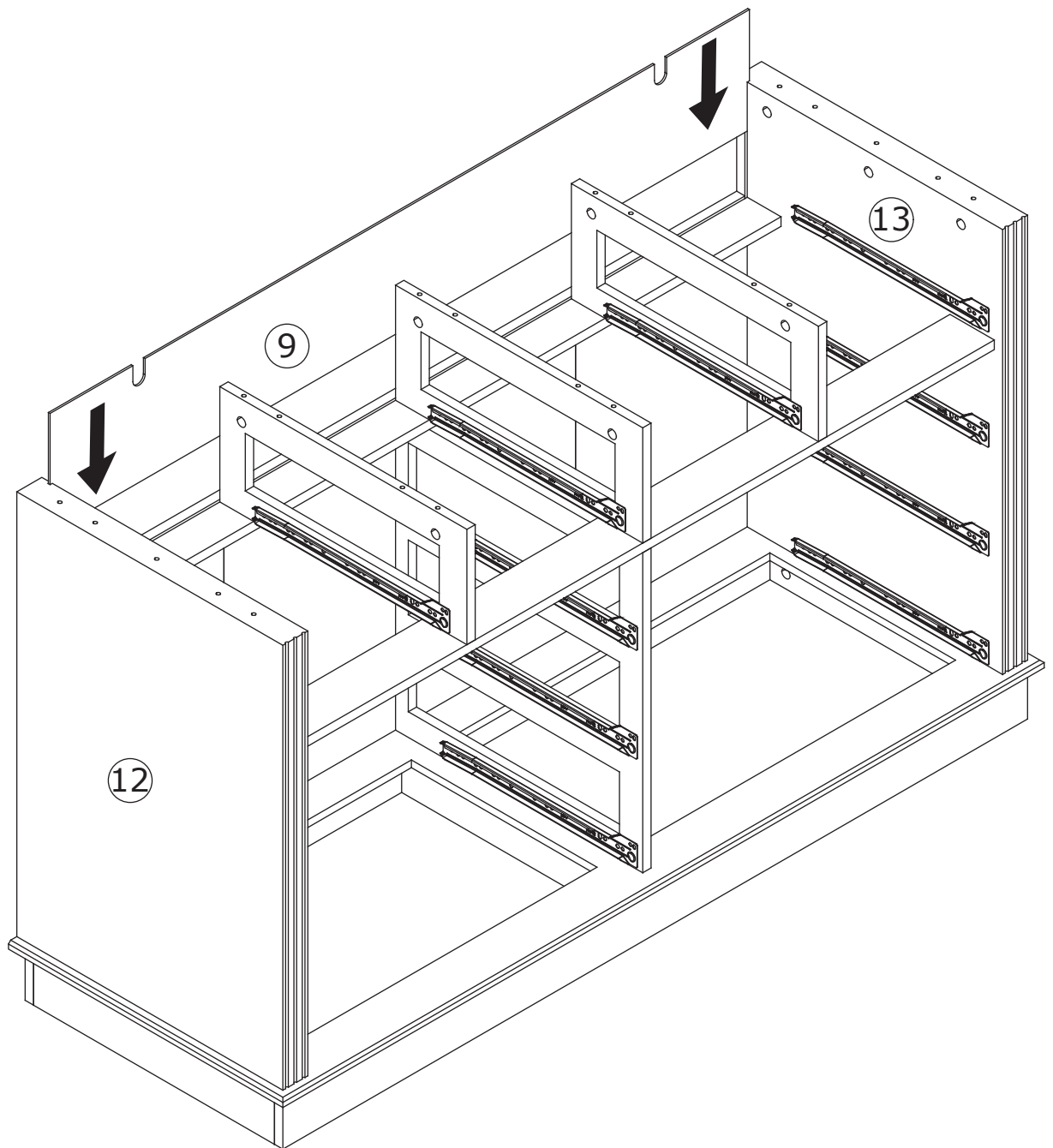


Connect the assembled frame to part 9 using cam locks (C), then rotate clockwise to lock.

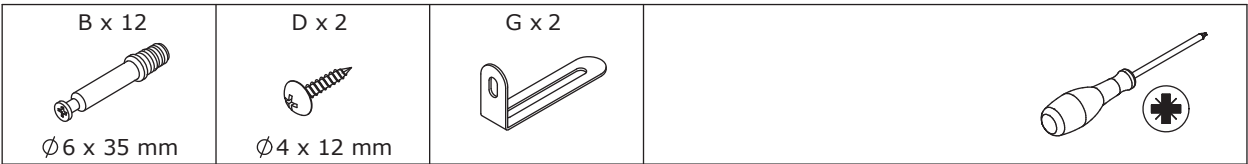


24

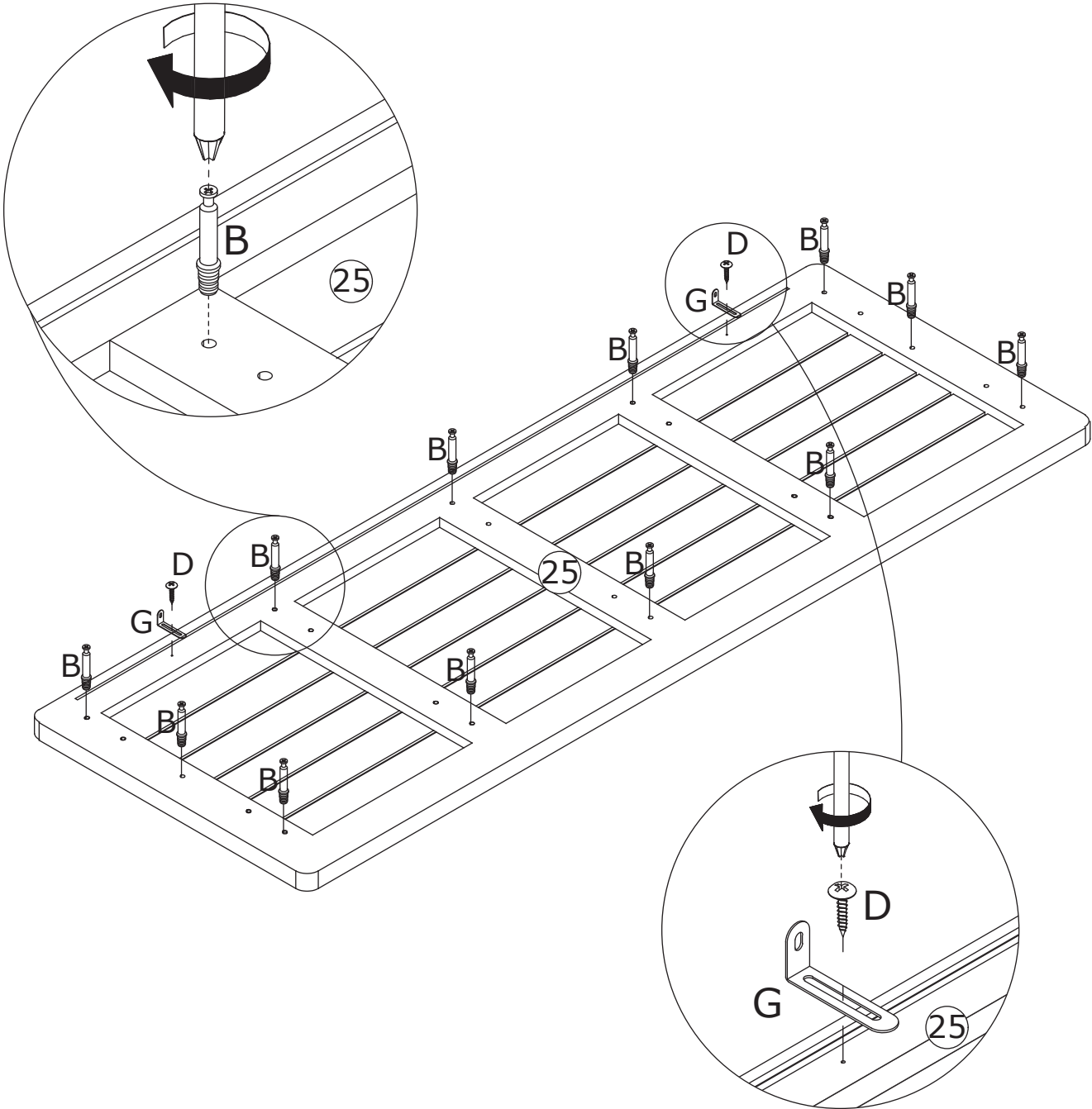
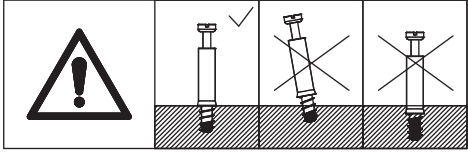
Insert part 9 along the available slots.



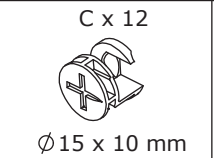
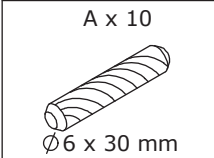
25



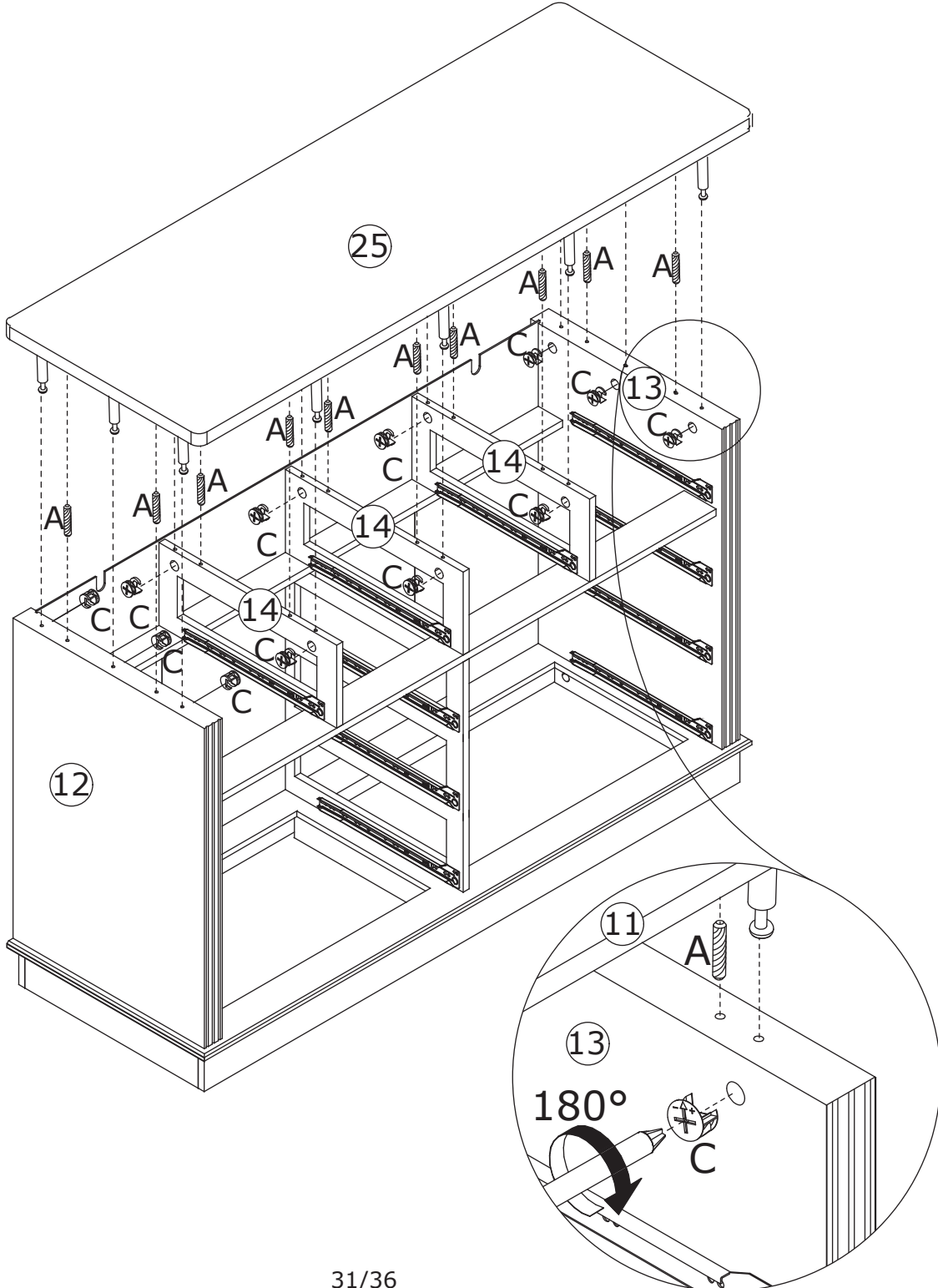
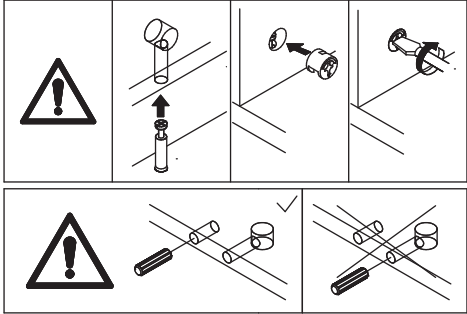
Screw eccentric rod (B) into part 25.
Place the anti-tip bracket (G) onto
part 25 and secure with screws (D).



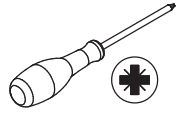
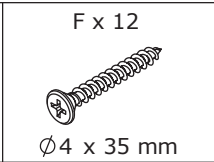
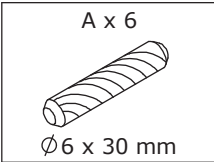
26



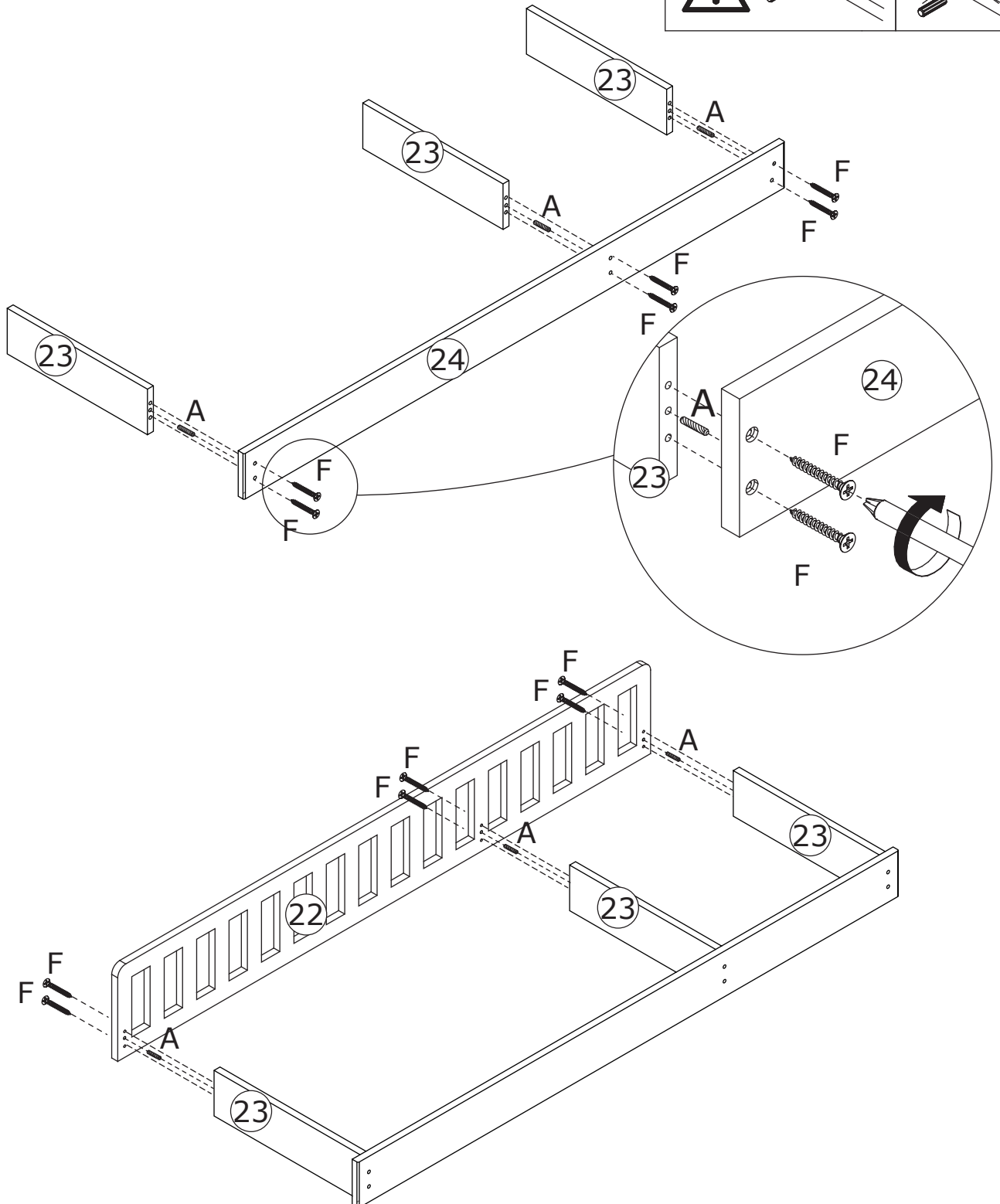
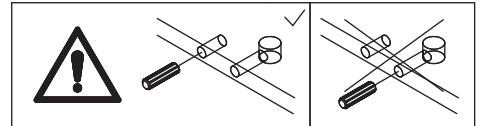
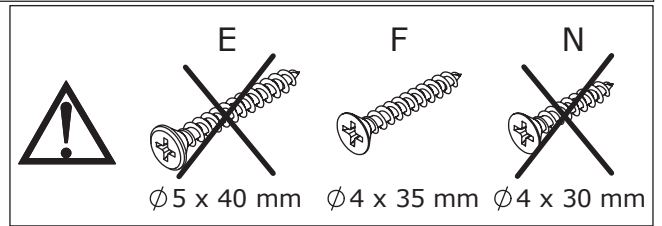
Insert dowels (A) into parts 12, 13 and 14, connect part 25 to parts 12, 13 and 14 using cam locks (C), then rotate clockwise to lock.



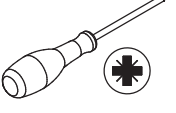
27




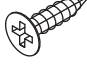
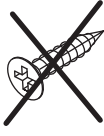
Insert dowels (A) into part 23, connect part 24 to part 23, and secure using screws (F).
Connect part 23 to part 22 using screws (F).

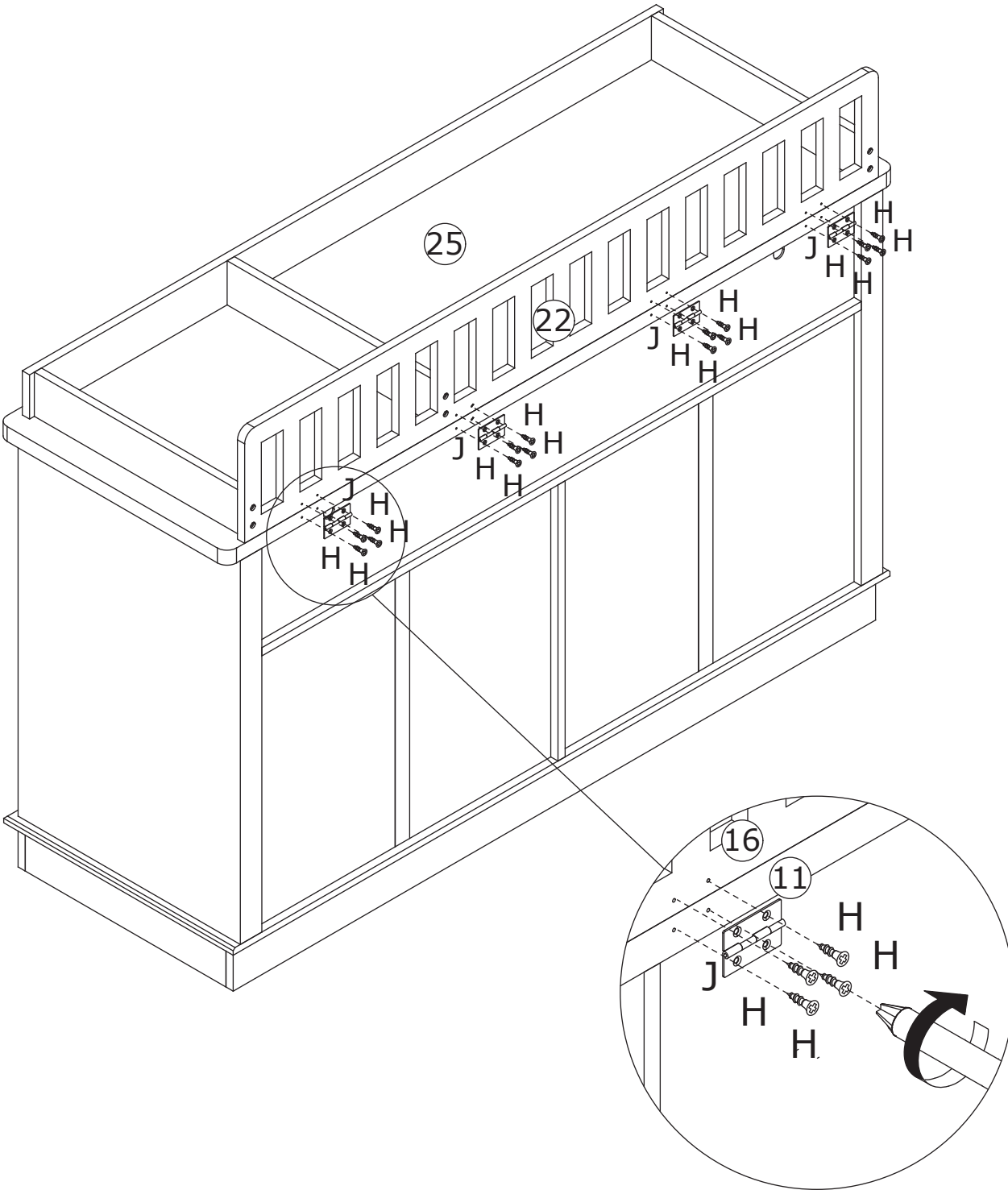


28

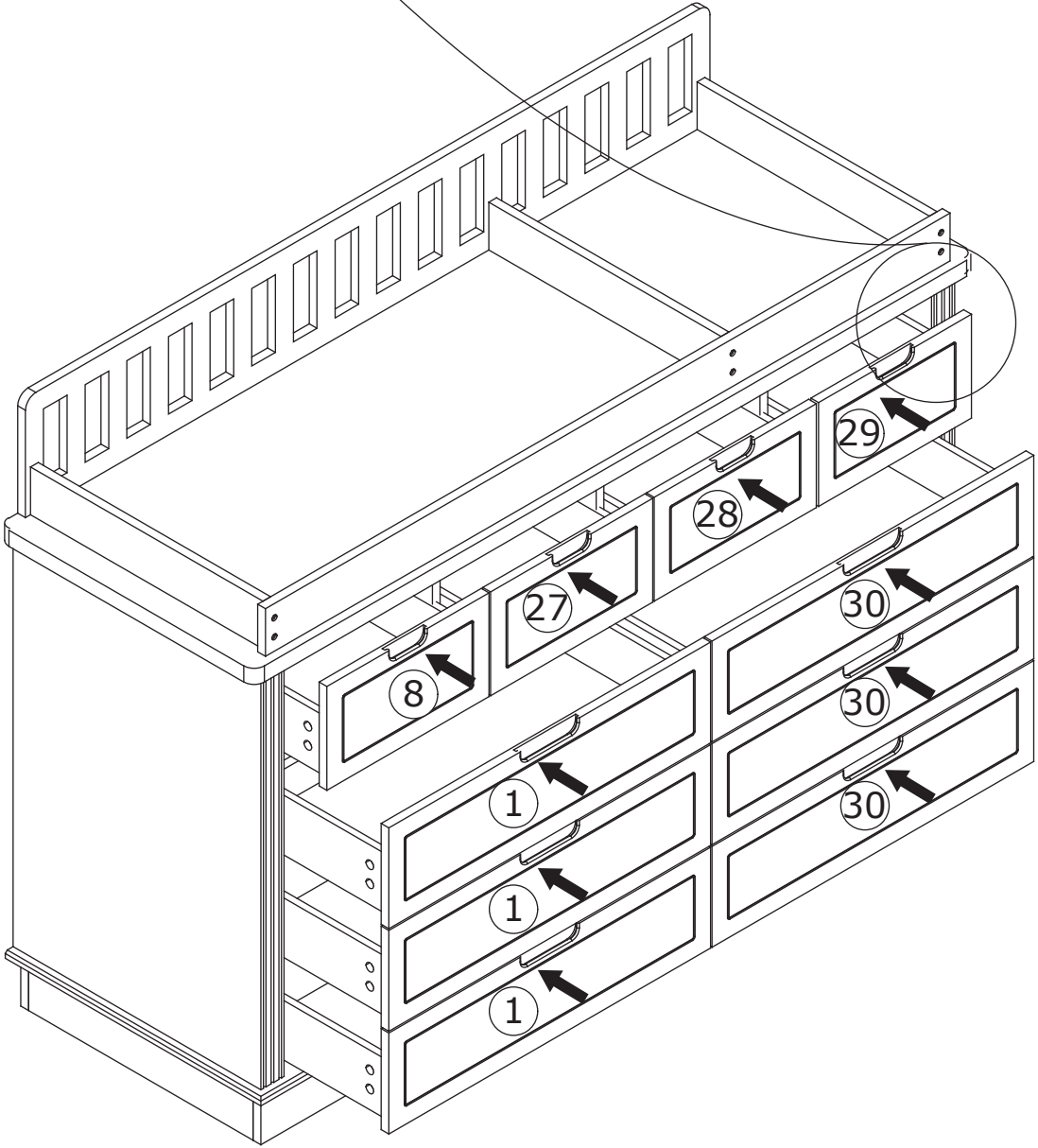
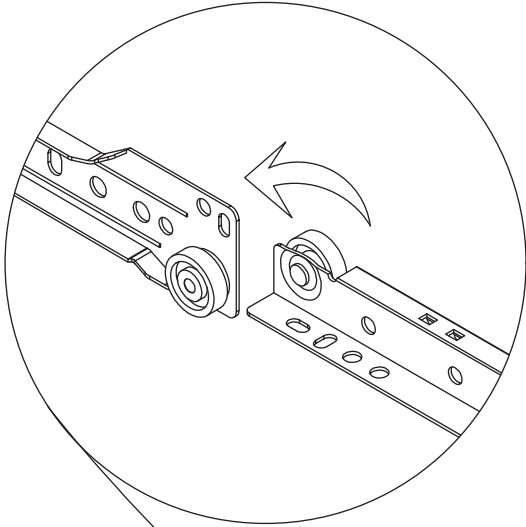
<p>H x 16</p>  <p>Ø 3 x 12 mm</p>	<p>J x 4</p> 	
--	--	---

Place the hinge (J) onto the connection between part 25 and the assembled frame, and secure with screws (H).

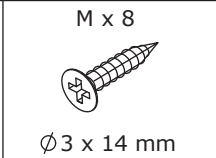
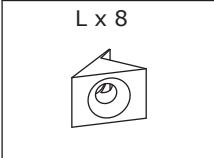
	<p>H</p>  <p>Ø 3 x 12 mm</p>	<p>M</p>  <p>Ø 3 x 14 mm</p>
---	---	---



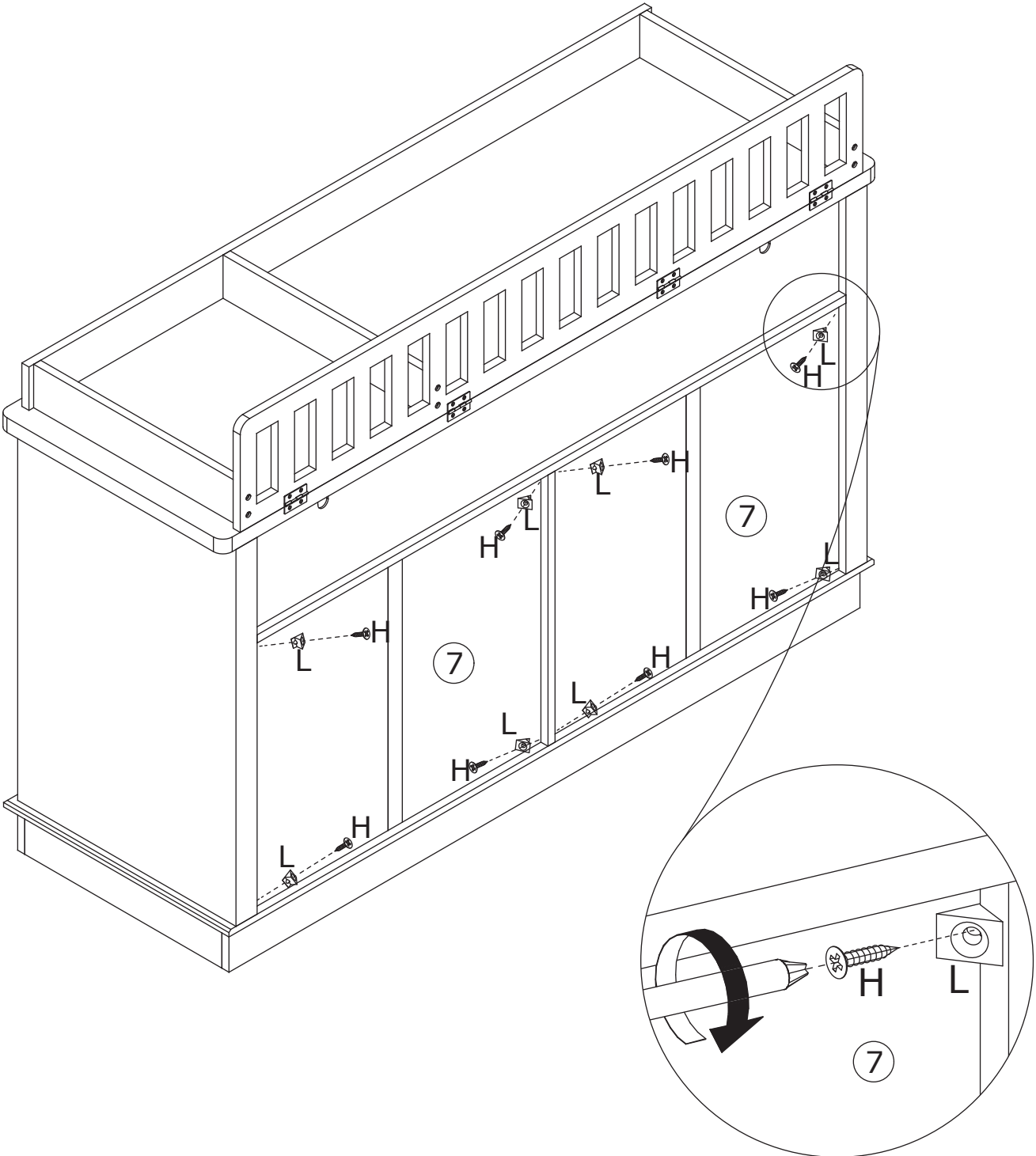
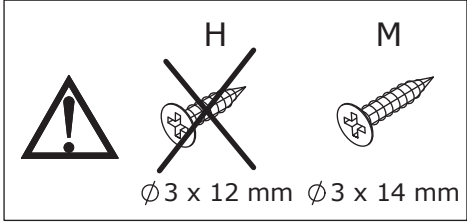
29



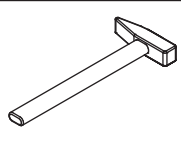
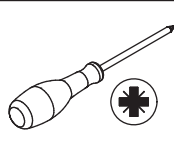
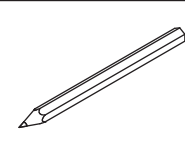
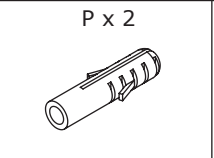
30



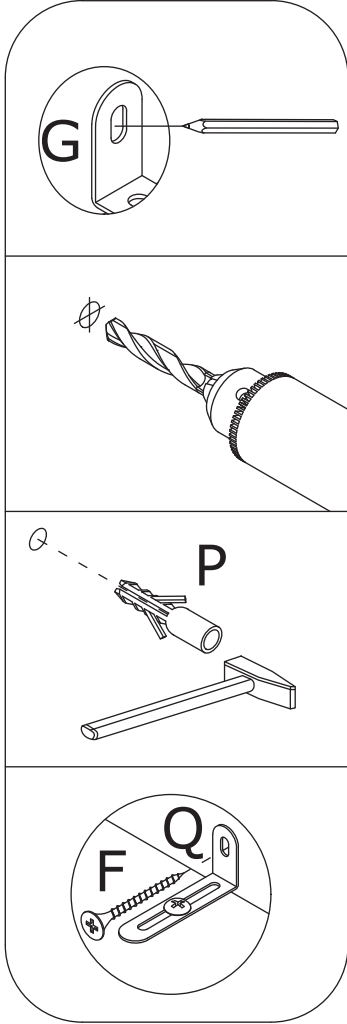
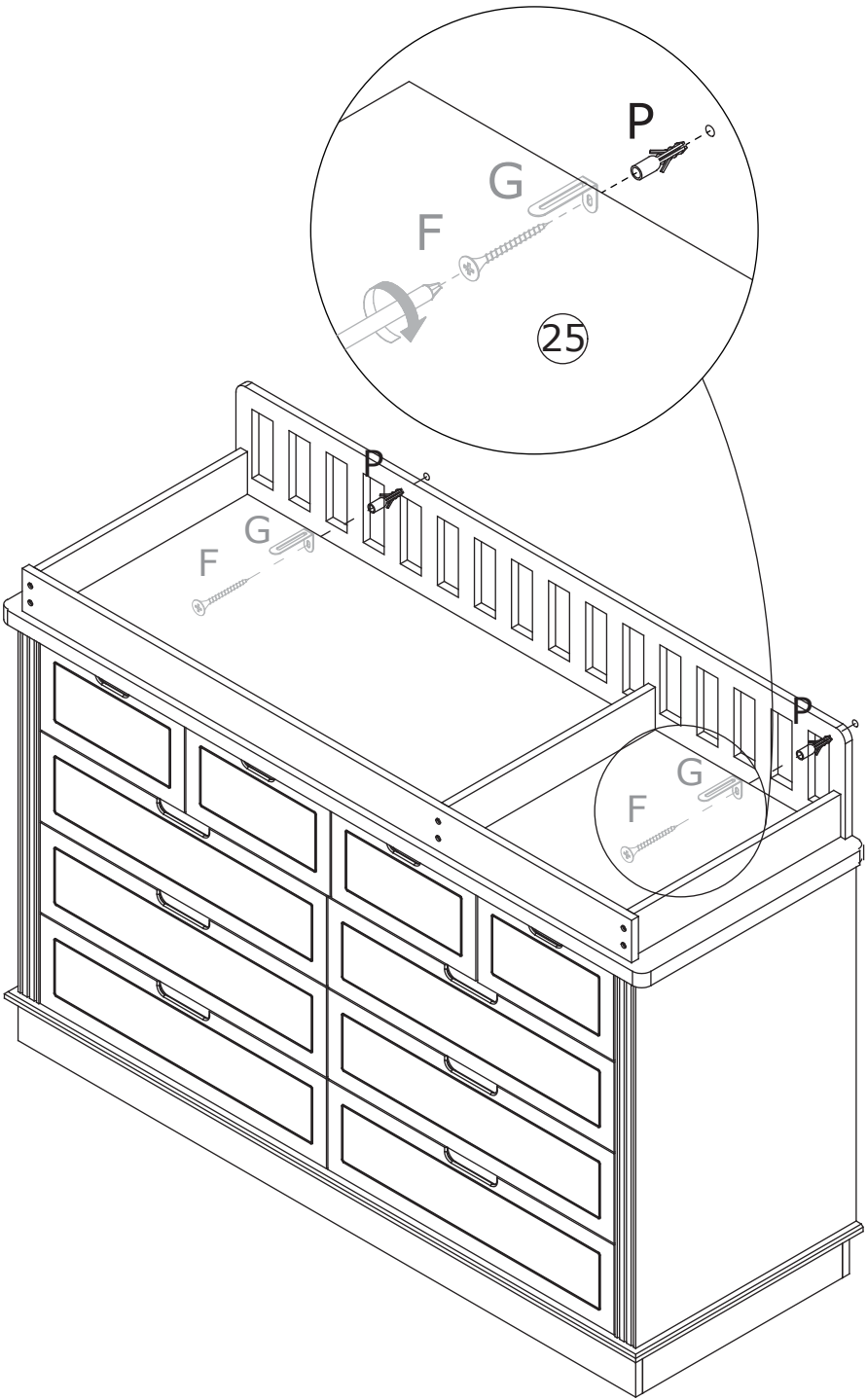
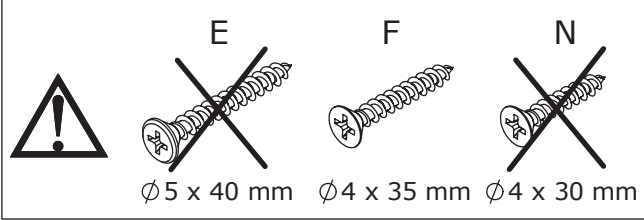
Insert the back panel clips (L) into the gaps and secure with screws (H).



31



Connect the anti-tip brackets (F), (P) to part 25, then lock the product onto the wall.



WARRANTY

WARRANTY CLAIMS

- There is a 30-day warranty for broken furniture or any other problems that do not work properly. The warranty will start from the date of purchase which must be verified by proof of purchase.
- Before making a claim, we may be able to answer your query, simply call us. Please leave your purchase order number, along with some details of the problem, if you want a replacement part. We will arrange within 48 hours. If there is out of stock, we will reply with a shipping date.
- The product must be used in accordance with the instructions provided. For health reasons.
- For other reasons, if the furniture needs to be returned, it must be cleaned and dried and operated within 30 days of receipt.

Type of Warranty Claim

- Failure to follow the furniture instructions will invalidate the warranty. Attention please.
- Does not include damage during installation, but includes damage during transportation.

Scope of responsibility

- Shall not bear any responsibility for misuse or user damage and / or loss of parts during the installation of furniture.
- After using, the damage and scratches of the furniture are not covered by the warranty.

The Warranty Relates to All Bought in The Us and Covers The Following Areas

- Sheet parts: 1 month from the date of purchase.
- Electrical parts: 1 month from the date of purchase.

RETURNS

CHANGED YOUR MIND AND NEED TO RETURN YOU ITEM?

PLEASE FOLLOW THE BELOW INSTRUCTIONS:

- If you have purchased and have simply changed your mind, follow the retailer's instructions for returns.

DEFECTIVE ITEMS

- If your item is defective in any way, i.e. it doesn't work but you can't identify why, in the first instance, please call us.

DAMAGED ITEMS

- If you receive an order with obvious shipping damage from the retailer, then we suggest the delivery is refused. If the delivery has been accepted and then shipping damage is found, please follow the specific instructions advised by the retailer.
In all circumstances please save all packaging material and paperwork for the order. Please be aware that if you dispose of packaging material or attempt to return the merchandise without contacting the fulfiller, you jeopardise your chances of making a claim, and you may not receive a credit for the return.