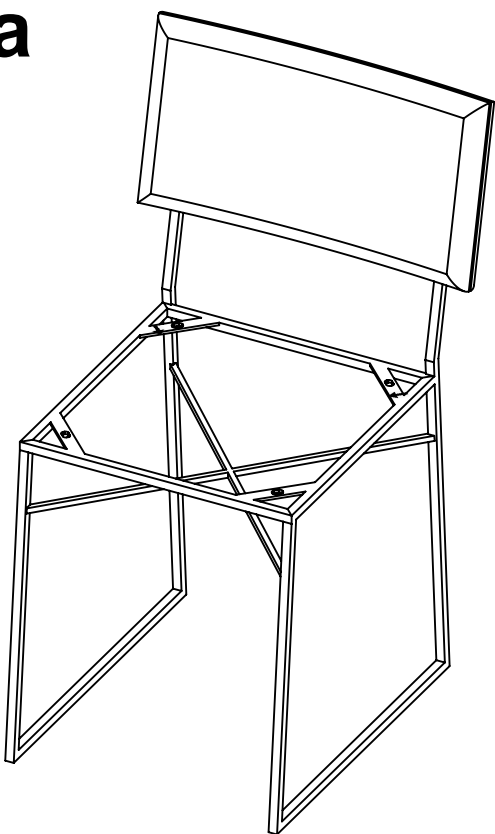


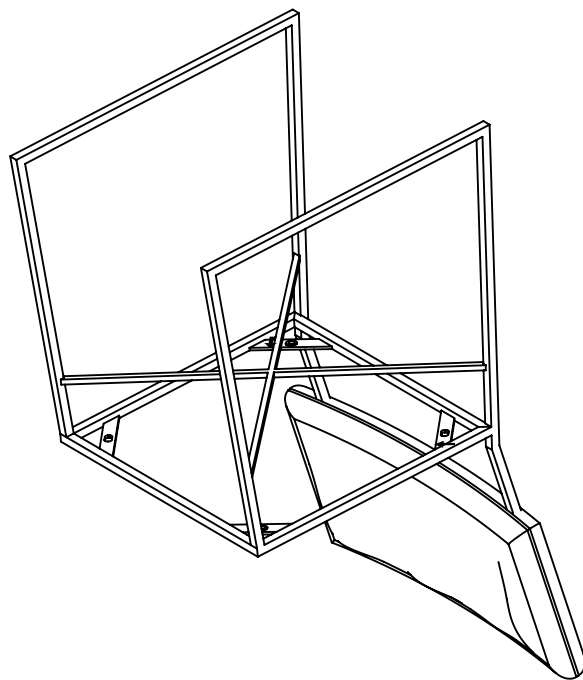
ASSEMBLY INSTRUCTION

a

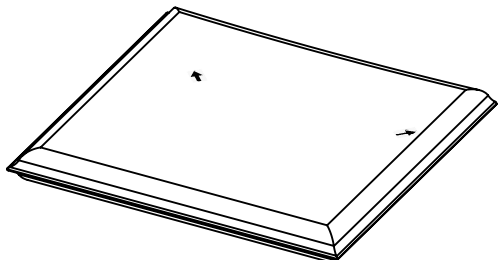


x1

1

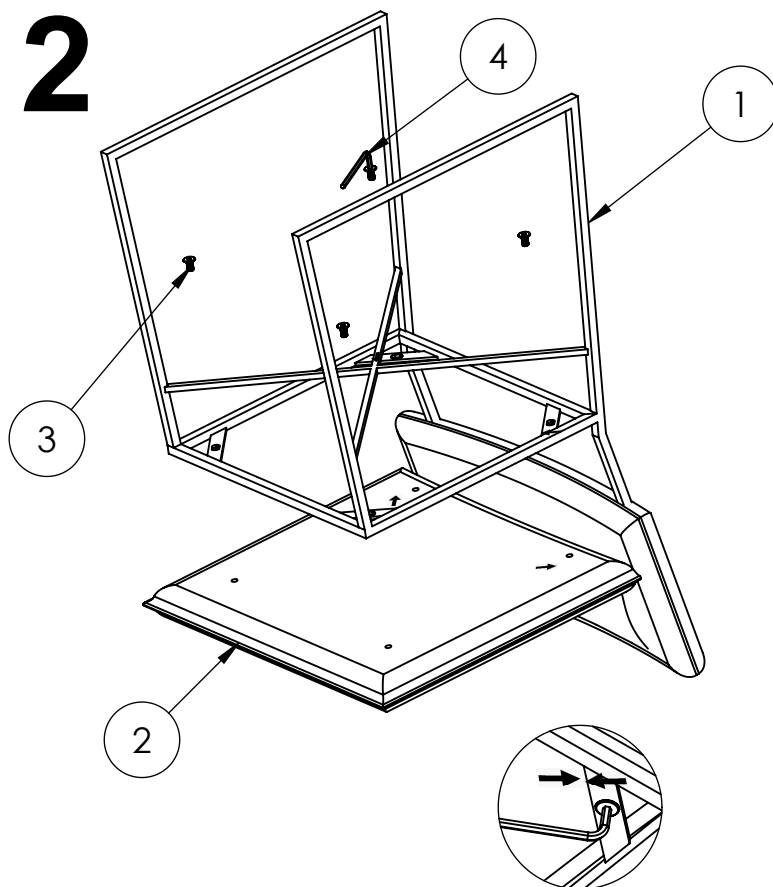


b

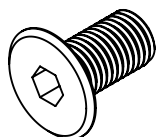


x1

2

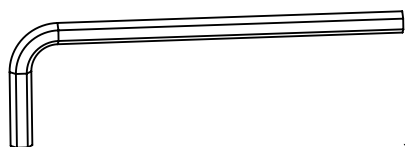


c



x4

d



x1

3

