
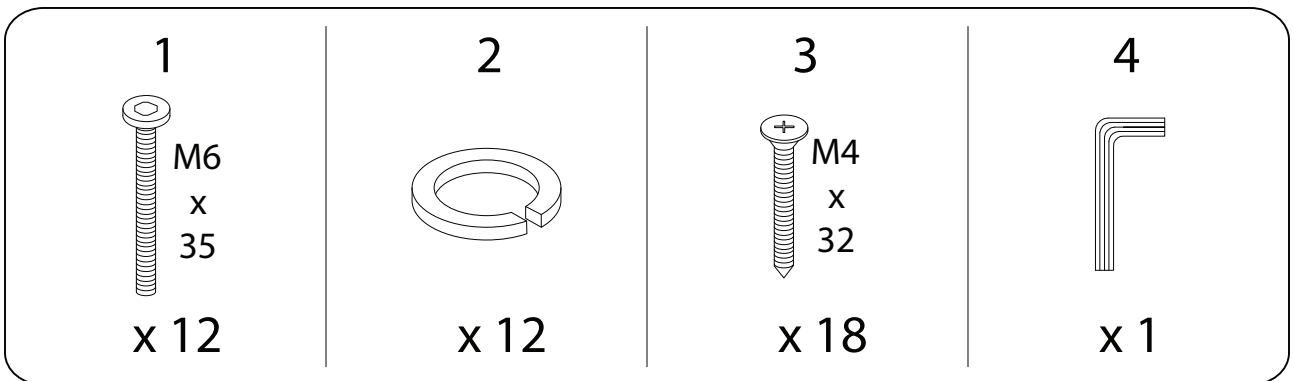
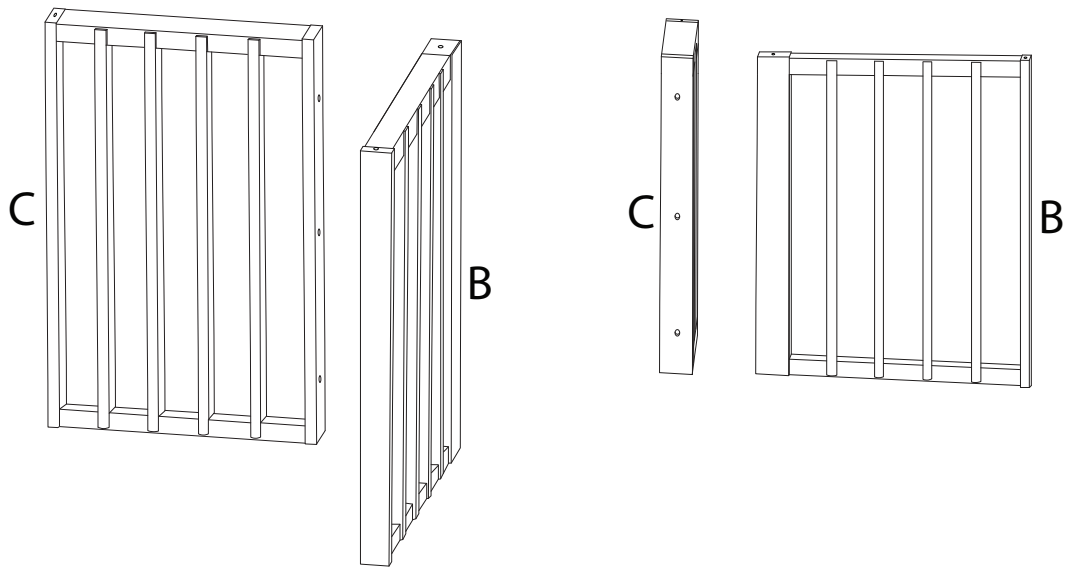
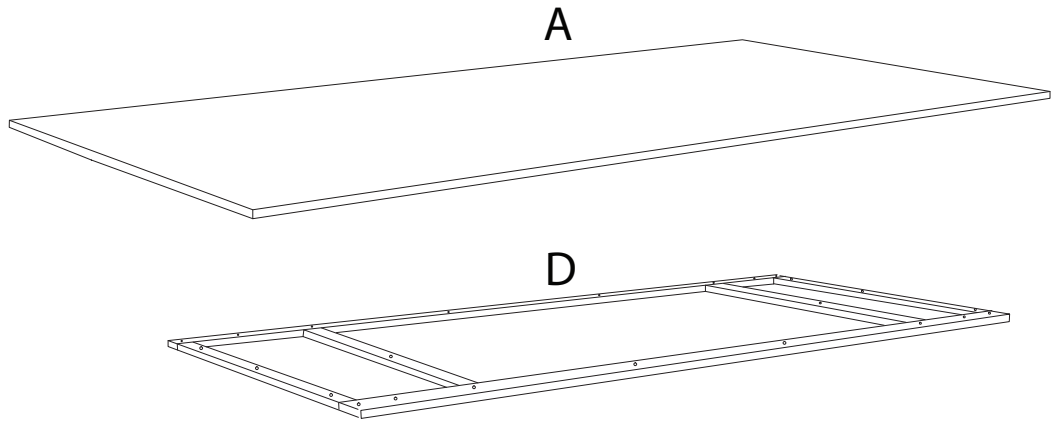
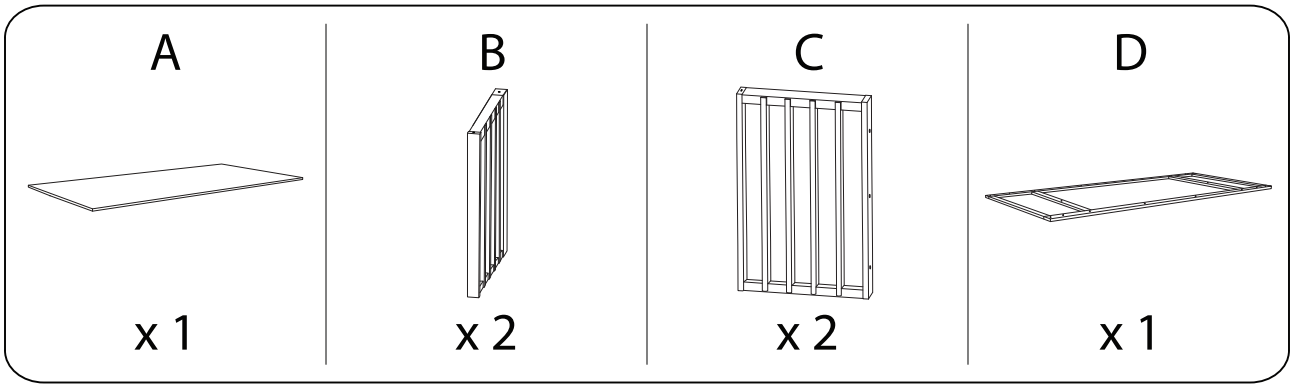
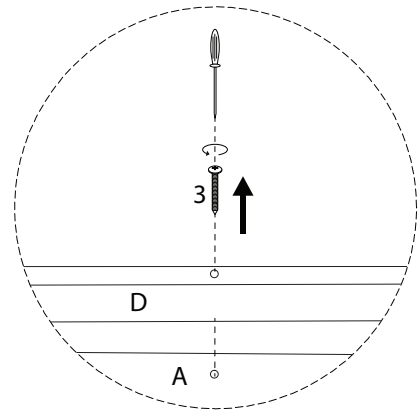
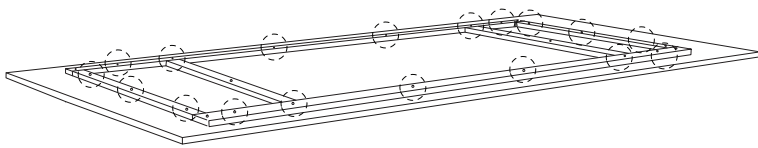
	<p>60'</p>
		
		<p>2</p>

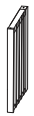


!



1 x 2

B



x 1

C



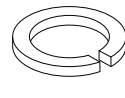
x 1

1



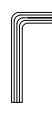
x 3

2

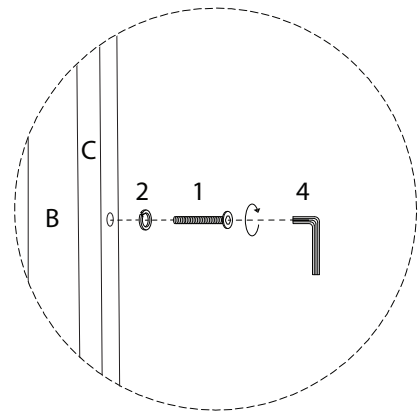
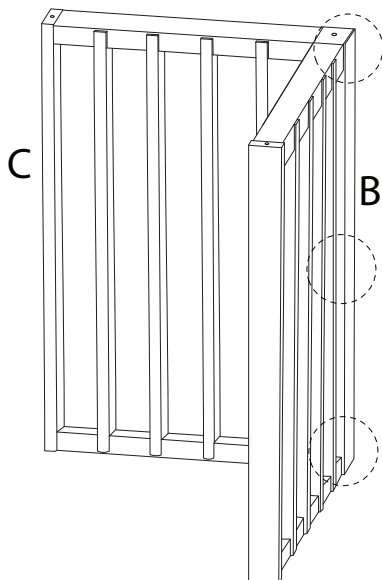


x 3

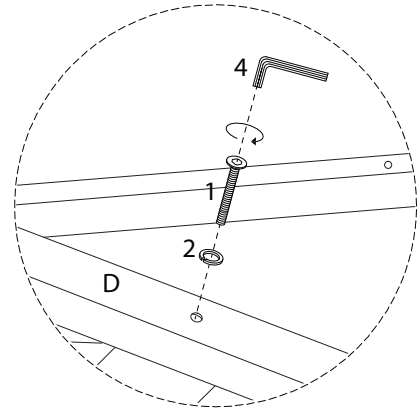
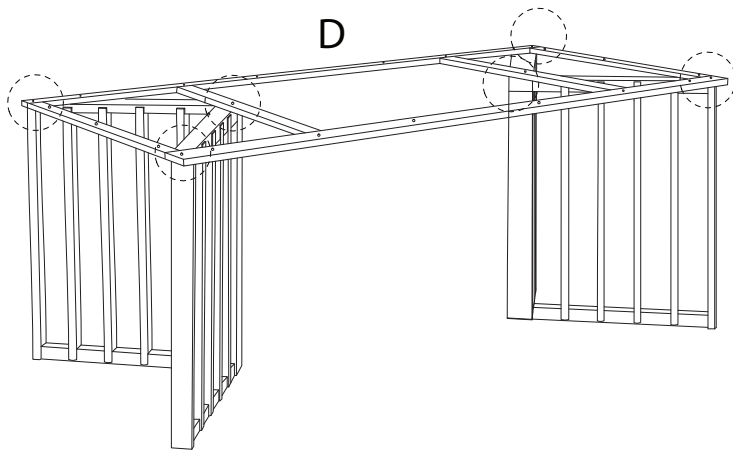
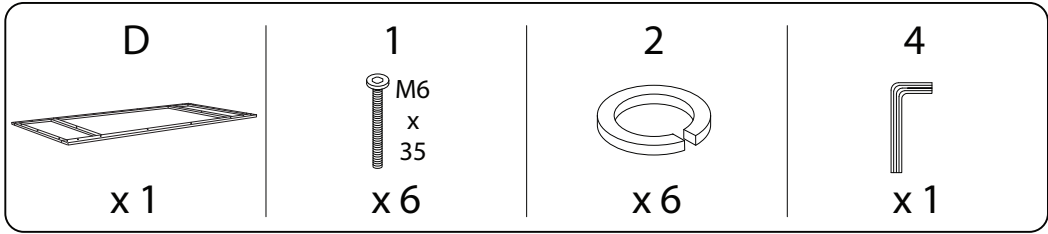
4



x 1



2



3

