









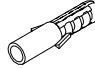
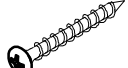


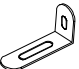

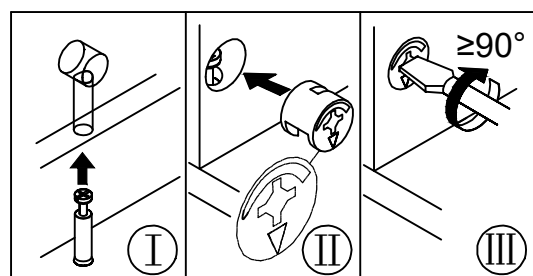
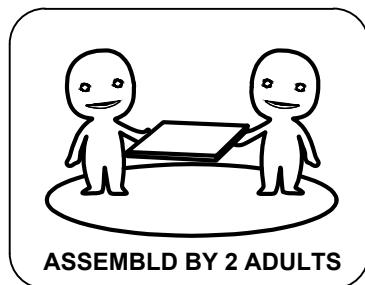





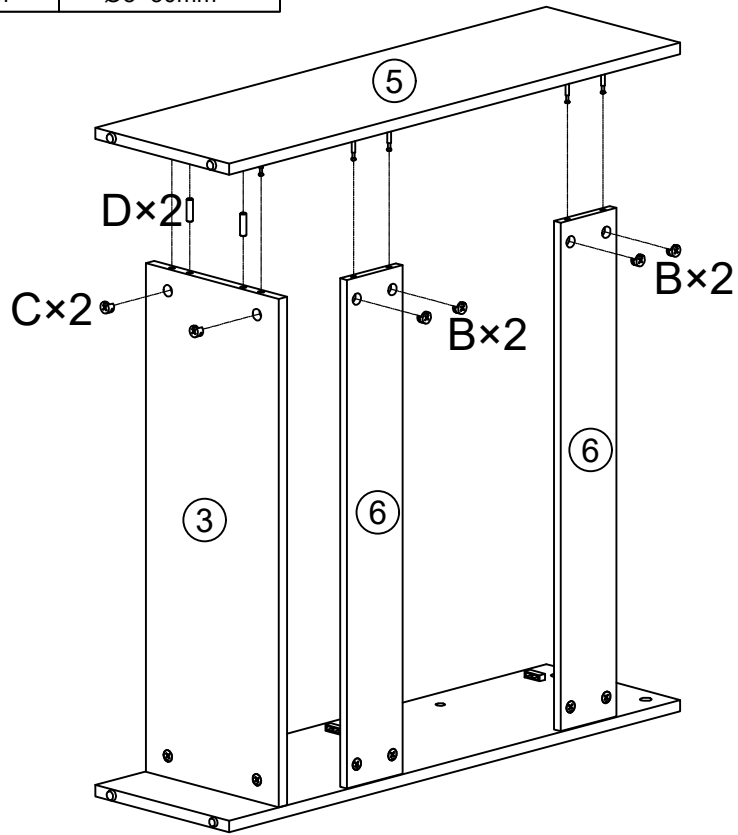
A×20PCS	B×8PCS	C×12PCS	D×12PCS	E×4PCS	F×1PC
 M6×35mm	 Ø15×9.3mm	 Ø15×12mm	 Ø8×30mm	 Ø3.5×14mm	 M4mm
G×28PCS	H×4PCS	I×4PCS	J×2PCS	K×1PC	L×1PC
		 M6×18mm		 Ø6×30mm	 Ø4×35mm
M×2PCS	N×2PCS	O×1PC	P×1PC		
			 Ø4×14mm		



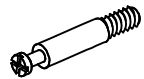


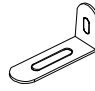



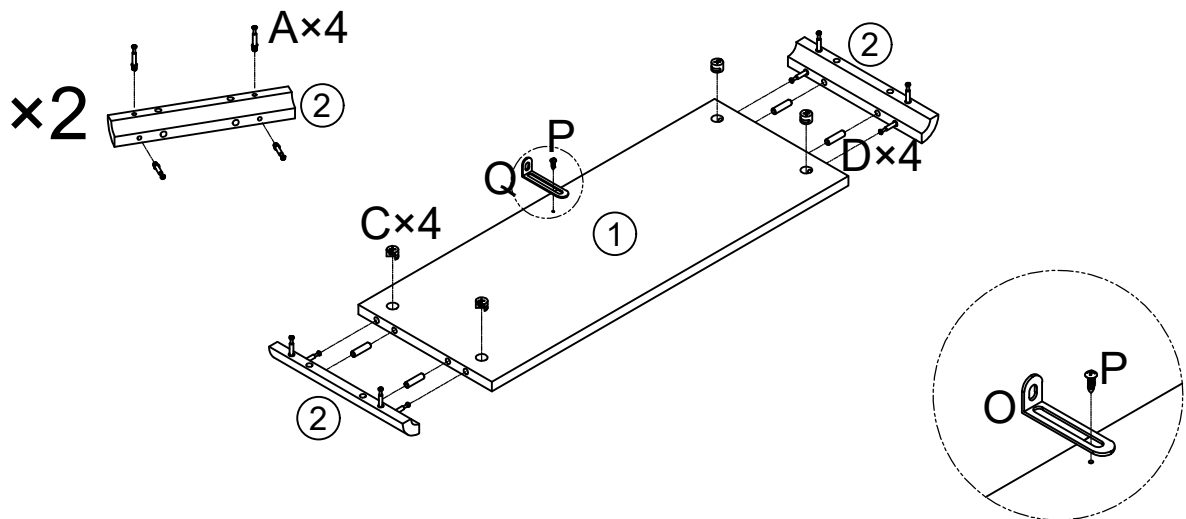
# 3.

B×4PCS	C×2PCS	D×2PCS
		
Ø15×9.3mm	Ø15×12mm	Ø8×30mm





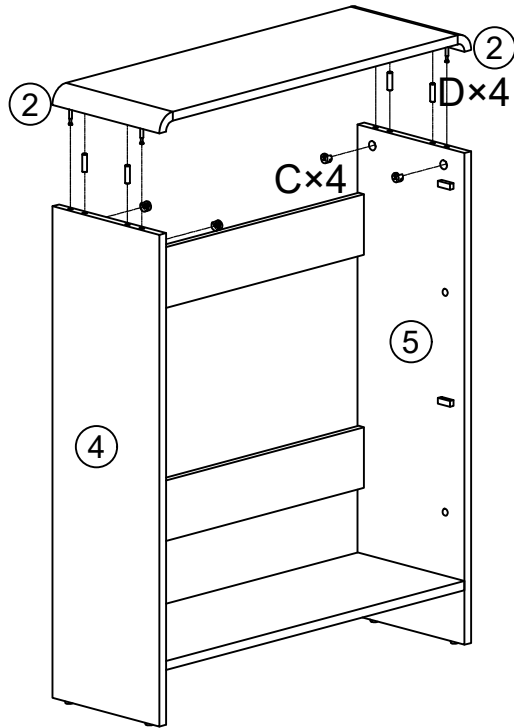
# 4.

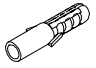

A×8PCS	C×4PCS	D×4PCS	O×1PC	P×1PC
				
M6×35mm	Ø15×12mm	Ø8×30mm		Ø4×14mm



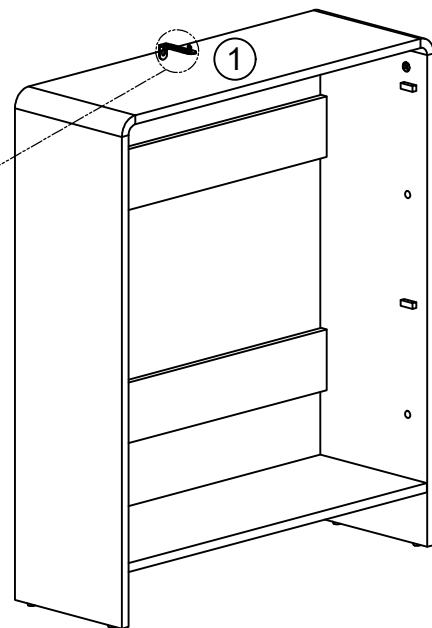
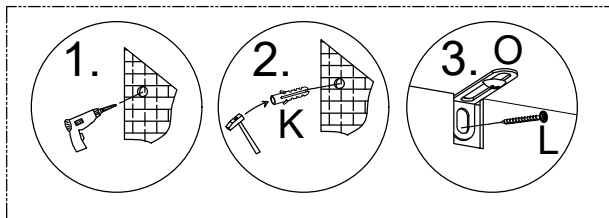
# 5.




C×4PCS	D×4PCS
	
Ø15×12mm	Ø8×30mm



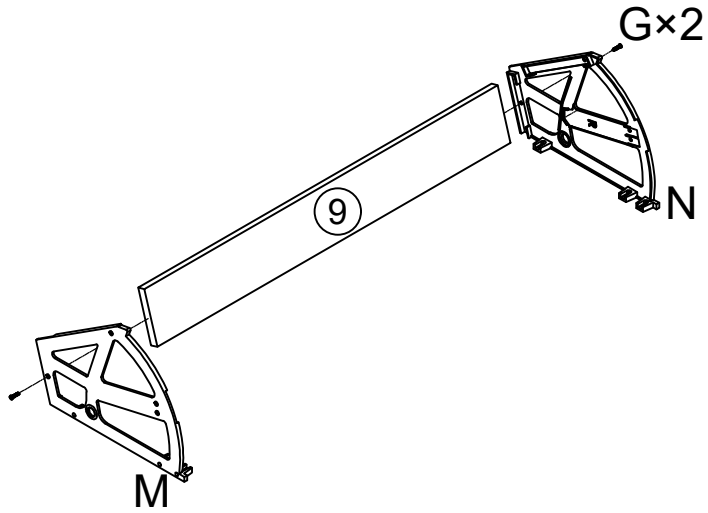
K×1PC	L×1PC
	
Ø6×30mm	Ø4×35mm

# 6.

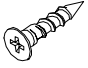


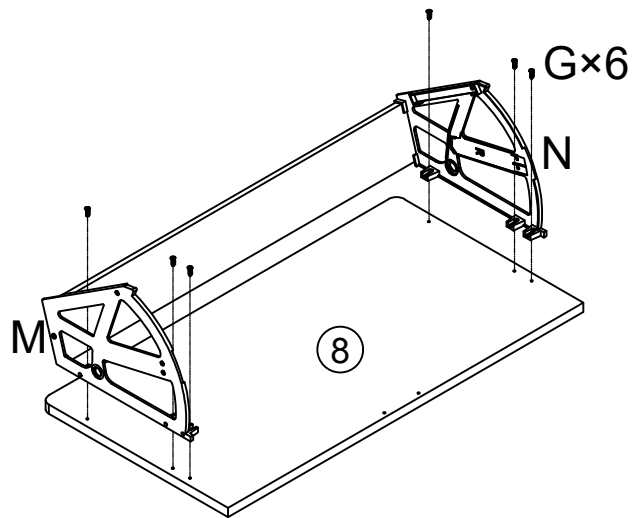
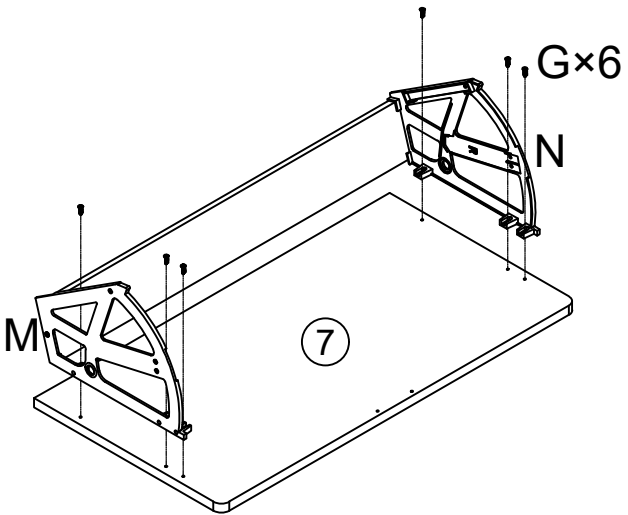
G×4PCS	M×2PCS	N×2PCS
 Ø3.5×14mm		

**7.**



**8.**

G×12PCS
 Ø3.5×14mm



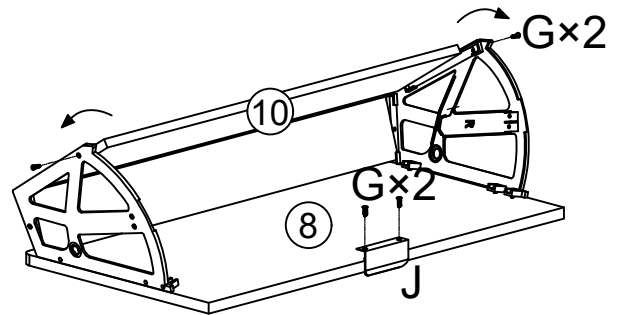
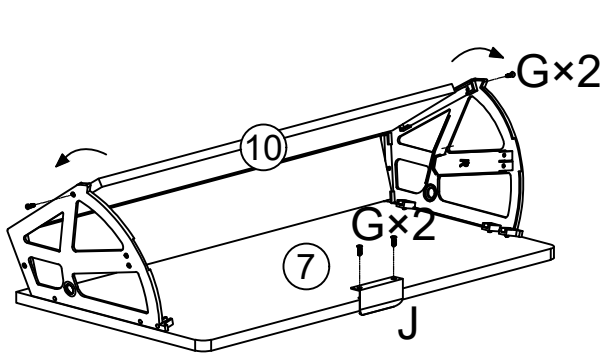
# 9.

G×8PCS

J×2PCS

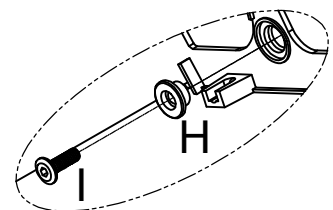
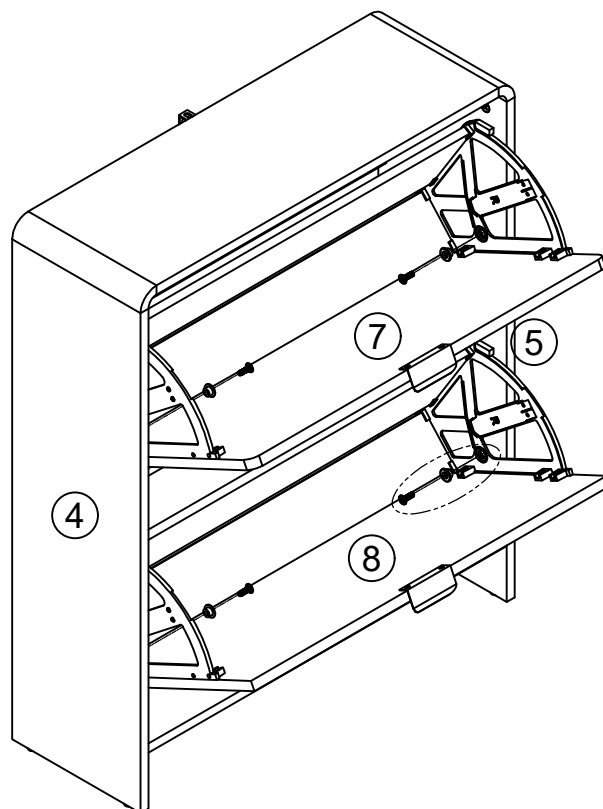


Ø3.5×14mm

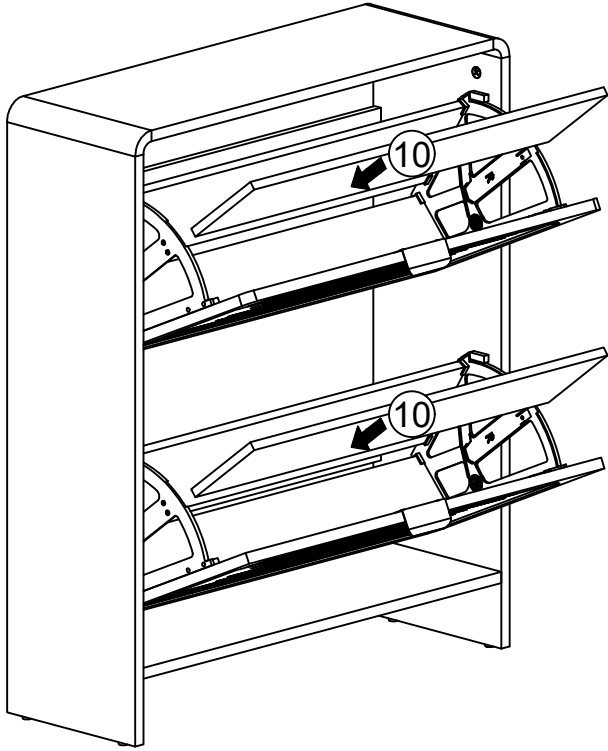


F×1PC	H×4PCS	I×4PCS
M4mm		M6×18mm

# 10.



11.



12.

G×4PCS



Ø3.5×14mm

