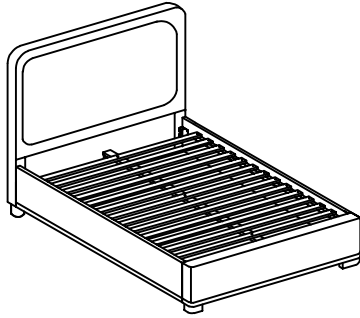


ASSEMBLY INSTRUCTION

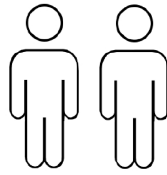
F



+ Do Not Use Power Tools



+ Suggested Adults



NOTE:

- 1 Read instructions cover to cover.
- 2 Save all packaging until assembly is completed.

1 IMPORTANT SAFETY INFORMATION

Do not assemble the product if any of the following parts arrived damaged:

- Part # - Side Rails
- Part # - Center Support Bar
- Part # - Support Legs
- Part # - Slats

2 IMPORTANT ASSEMBLY INFORMATION

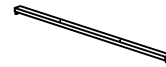
Assembly Step Ensure the side rail bracket is fully hooked onto bolt loosely threaded with both washers on the **OUTSIDE** of the bracket first, then proceed to fully tightening all 4 corners.

+ Parts Included

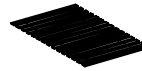
- | | | |
|--------------------------|--------------------------|---------------------------|
| ① Headboard
(1 of pc) | ② Footboard
(1 of pc) | ③ Side Rail
(2 of pcs) |
|--------------------------|--------------------------|---------------------------|



- | | | |
|----------------------------|-------------------------------|-------------------------------|
| ④ Center Rail
(1 of pc) | ⑤ Headboard Leg
(2 of pcs) | ⑥ Footboard Leg
(2 of pcs) |
|----------------------------|-------------------------------|-------------------------------|

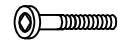


- | | |
|---------------------------|-----------------------------|
| ⑦ 13 Pcs Slat
1 of set | ⑧ Support Leg
(2 of pcs) |
|---------------------------|-----------------------------|

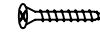


+ Hardware Included

- | | | |
|---------------------------------|---------------------------------|---------------------------------|
| A JCBB
M8x30mm
(8 of pcs) | B JCBC
M6x40mm
(2 of pcs) | C JCBC
M6x50mm
(4 of pcs) |
|---------------------------------|---------------------------------|---------------------------------|



- | | | |
|----------------------------------|-----------------------------------|--|
| D CSK
M4 x 25mm
(2 of pcs) | E CSK
M4 x 32mm
(29 of pcs) | F Allen Key
M4 x 100mm
(1 of pc) |
|----------------------------------|-----------------------------------|--|

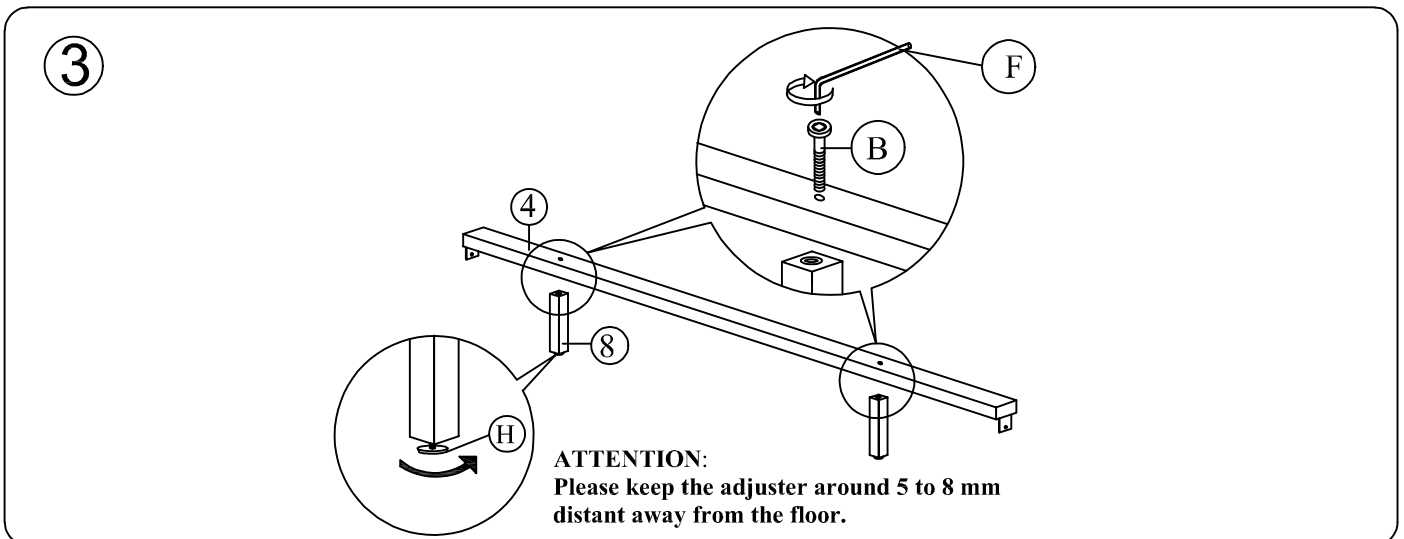
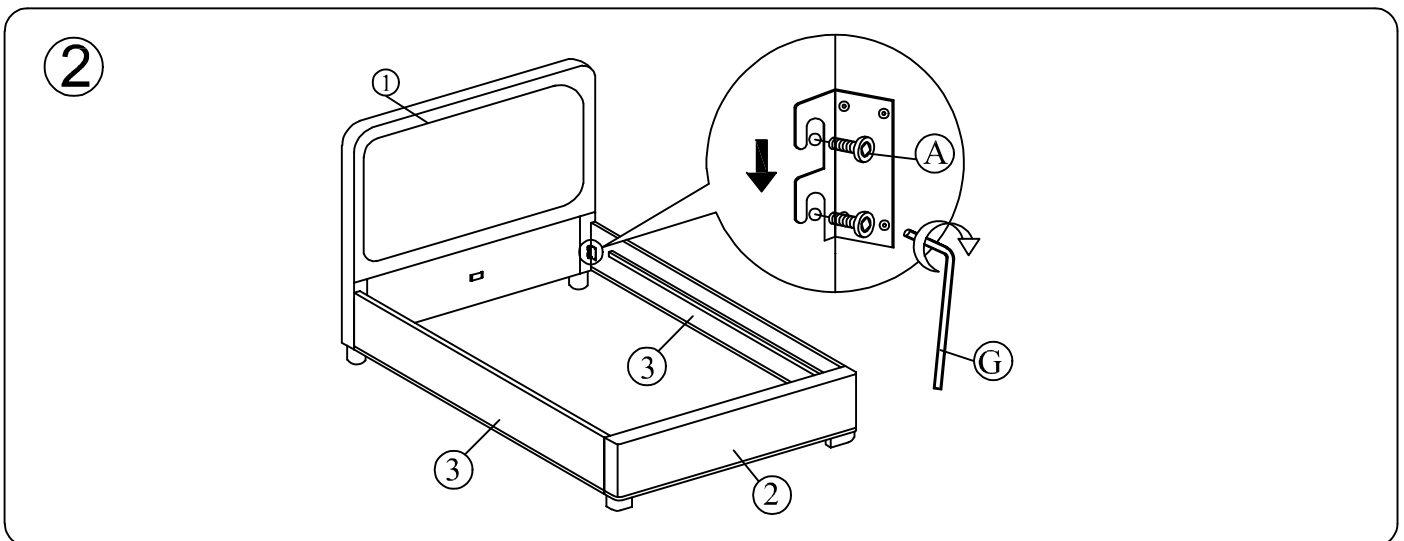
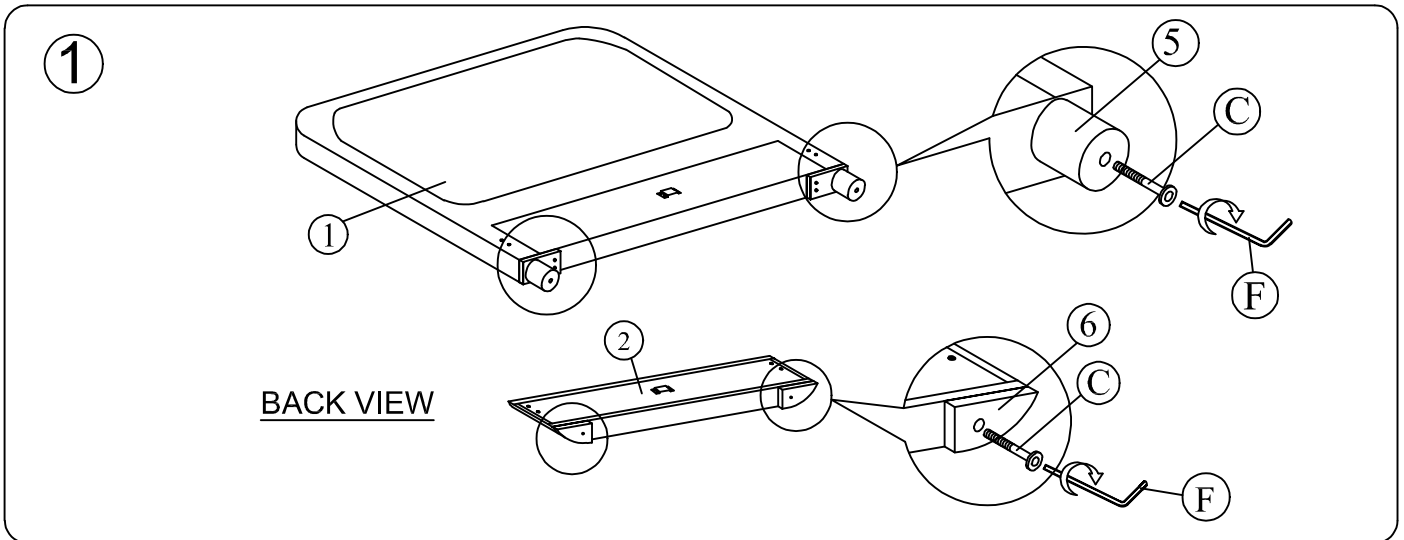


- | | |
|---------------------------------------|--------------------------|
| G Allen Key
M5 x 70mm
(1 of pc) | H Adjuster
(2 of pcs) |
|---------------------------------------|--------------------------|



ASSEMBLY INSTRUCTION

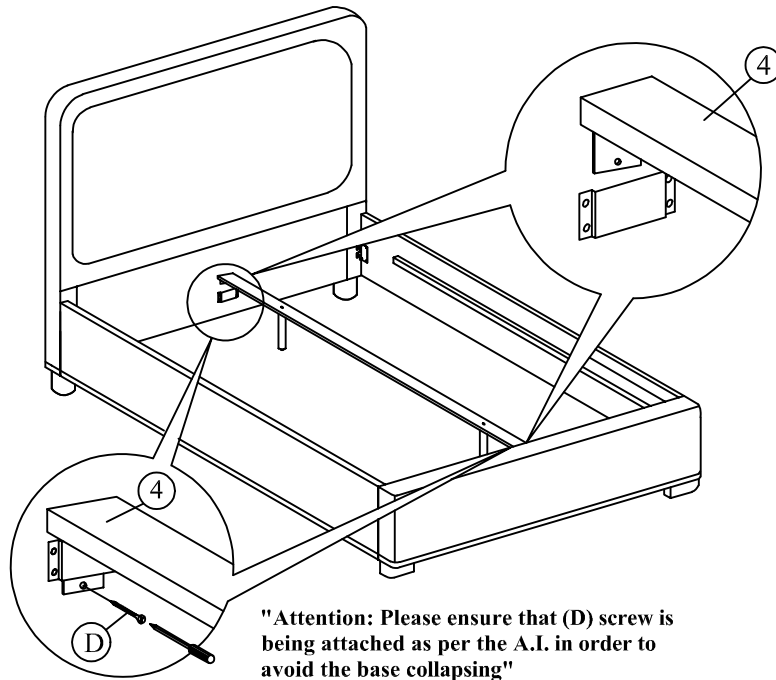
F



ASSEMBLY INSTRUCTION

F

4



5

