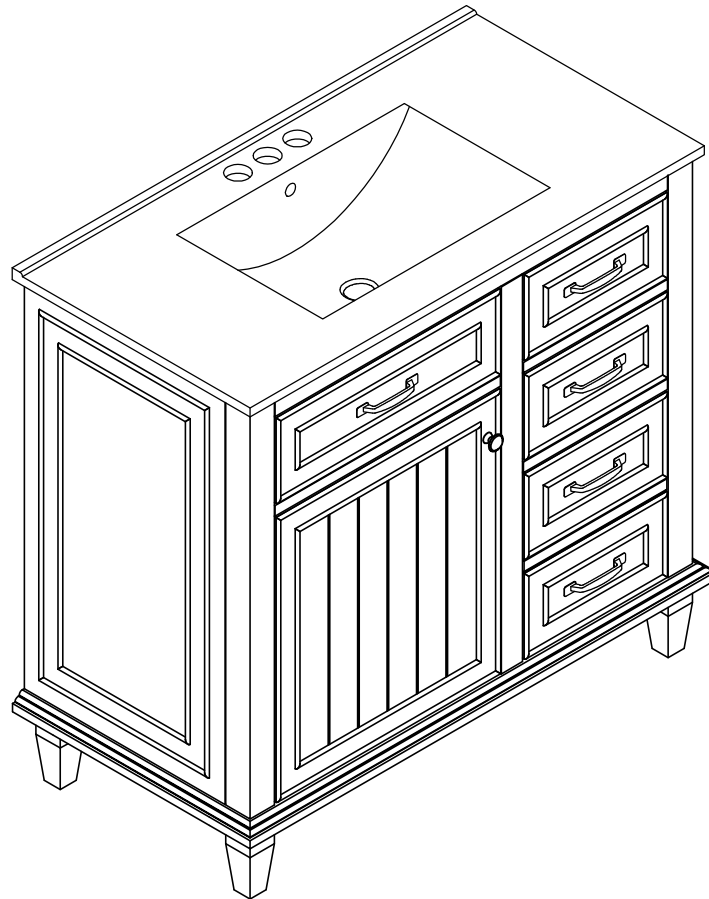


ASSEMBLY INSTRUCTIONS

36 INCH BATH VANITY-CABINET

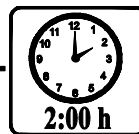
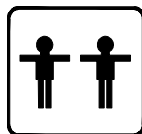


Thank you for purchasing this quality product. Be sure to check all pack material carefully for small parts which may have come loose inside the carton during shipment. Separate, identify and count all parts and hardware.

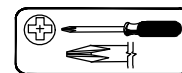
Compare with the parts list to be sure all parts are present.

"DO NOT TIGHTEN SCREWS UNTIL COMPLETELY ASSEMBLED"

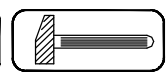
***Use of power tool to assemble this product will invalidate any claim and damage this product making unsafe !!!**
***Please assemble on a clean soft surface to avoid damage.**



Tools Required



(Not included)



(Not included)

IMPORTANT:
PLEASE READ INSTRUCTION BEFORE STARTING THE ASSEMBLY

Thank you for buying our products.

Please read the installation manual carefully before installation,

we need you to follow the instructions on the accessories and hardware

step by step assembly complete, our instructions are very detailed.

Products are environmentally friendly products,

Please rest assured that you do not soak in water, do not place very heavy items,

do not malicious push and pull,

if you have any problems in the process of assembly and use, please contact us.

Thank you again for your purchase of our products,

I wish you a happy life.

Before Installation

Important – Please read these instructions fully before starting assembly

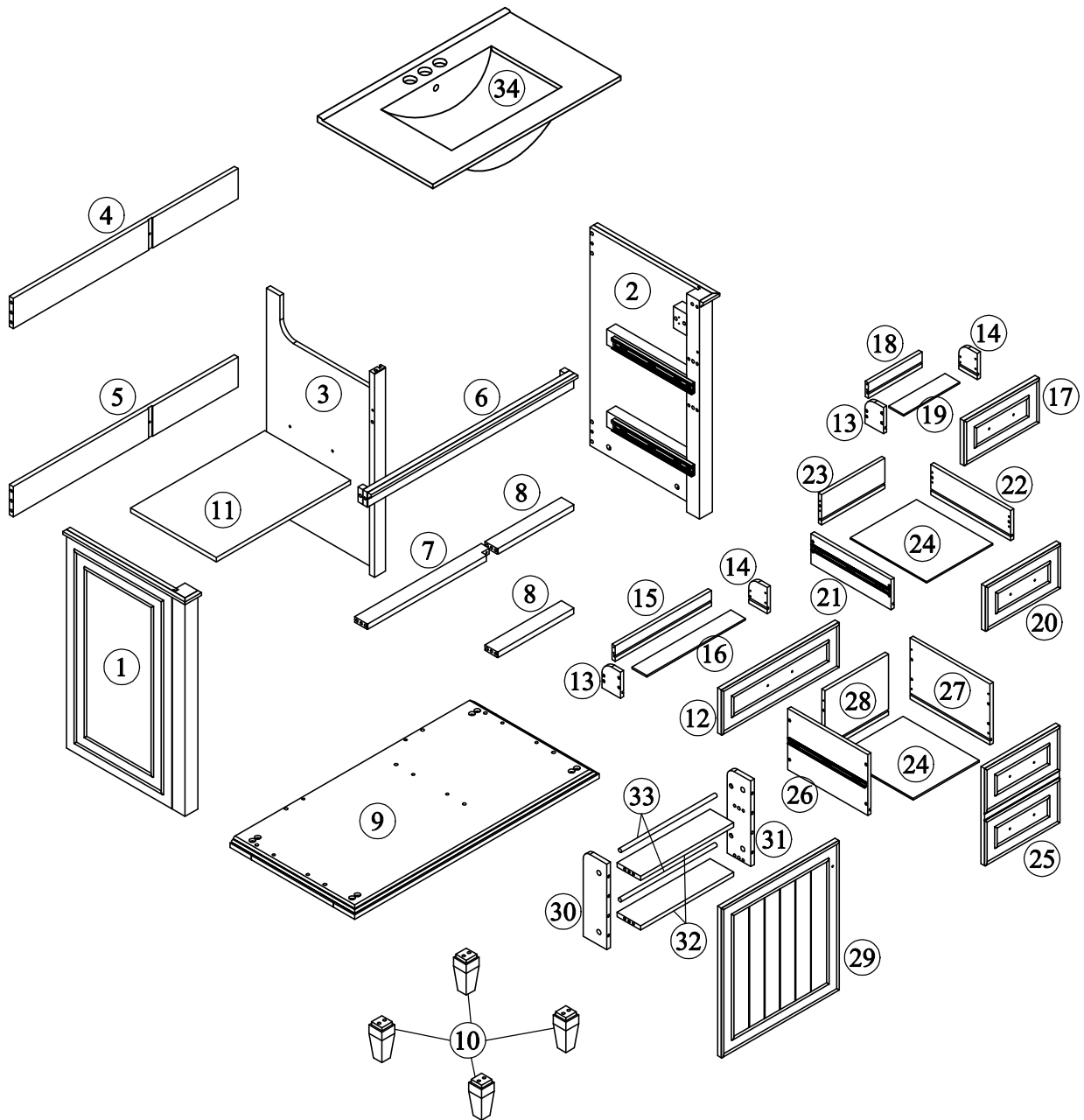
Thank you for purchasing this quality product. Be sure to check all packing materials carefully for small parts, which may have come loose inside the carton during shipment. Identify and count all items according to the PARTS LIST and/or HARDWARE LIST shown below. Check you have all the components and tools listed on the following pages.

- We recommend that you assemble this product with the assistance of another person; this will make the assembly easier, and will help eliminate damage to the product or injury to persons during assembly.
- Please do not over tighten screws or bolts until the assembly is completed.
- Keep children and animal away from the work area, small parts could choke if swallowed.
- Please put all parts on a non-abrasive floor before assembly, and follow the assembly steps to assemble your newly purchased product correctly and efficiently.

Cam Lock Assembly Instructions


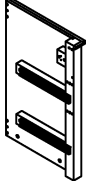
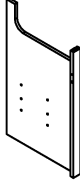
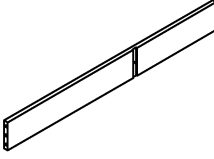
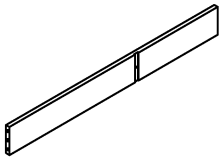
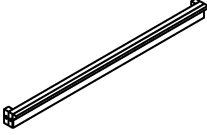


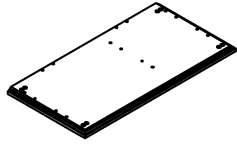

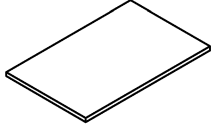
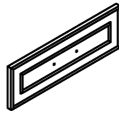


	<p>Diagram A</p>	<p>Insert Cam Bolt into hole as shown in diagram A.</p>
	<p>Diagram B</p>	<p>Make sure not to insert the Cam Bolt: Too deep as shown in figure B as this will cause the Cam Lock to be misaligned and unable to interlock properly.</p>
	<p>Diagram C</p>	<p>Also avoid inserting the Cam Bolt too close to the surface of the hole as shown in figure C, as this will cause the Cam Lock to be too loose, and not interlock properly.</p>
		<p>Connect the panels together.</p>
	<p>ARROW SIGN</p>	<p>Insert the Cam Lock so the side opening fits over the head of the Cam Bolt.</p>
		<p>To tighten the Cam Lock, turn it clockwise on half a turn with a flat screwdriver. <i>*Do not use an automatic screwdriver as it may bend or break if too much power is imposed.</i></p>

Detail View - CABINET

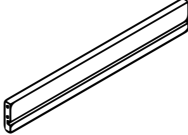
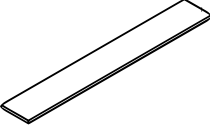
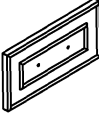
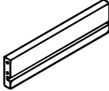
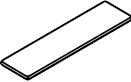


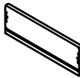

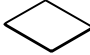
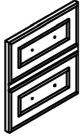
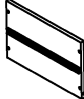
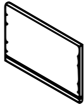
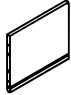


Identifying the Hardware -Identify the hardware using the illustrations below.

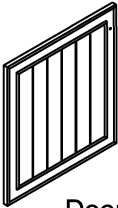



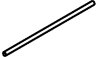
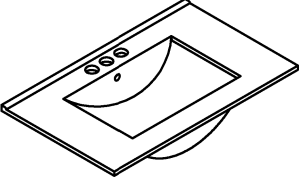
Part List

<p>1</p>  <p>Side Panel (L) - 1pc</p>	<p>2</p>  <p>Side Panel (R) - 1pc</p>
<p>3</p>  <p>Middle Pane - 1pc</p>	<p>4</p>  <p>Back Panel Top - 1pc</p>
<p>5</p>  <p>Back Panel Bottom - 1pc</p>	<p>6</p>  <p>Front Top Rail - 1pc</p>
<p>7</p>  <p>Front Mid Rail #1 - 1pc</p>	<p>8</p>  <p>Front Mid Rail #2 - 2pcs</p>
<p>9</p>  <p>Bottom Panel - 1pc</p>	<p>10</p>  <p>Legs - 4pcs</p>
<p>11</p>  <p>Shelf - 1pc</p>	<p>12</p>  <p>Flip Down Drawer Face - Left - 1 pc</p>
<p>13</p>  <p>Side Flip Drawer (Left) - 2pcs</p>	<p>14</p>  <p>Side Flip Drawer (Right) - 2pcs</p>








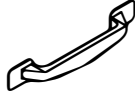
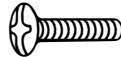



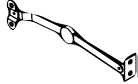

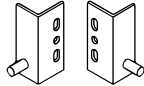

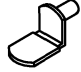





Part List

<p>15</p>  <p>Back Flip Down Box - Left-1pc</p>	<p>16</p>  <p>Bottom Flip Down Box - Left - 1pc</p>
<p>17</p>  <p>Flip Down Drawer Face - Right - 1pc</p>	<p>18</p>  <p>Flip Down Back Drawer - Right-1pc</p>
<p>19</p>  <p>Flip Down Bottom Drawer - Right-1pc</p>	<p>20</p>  <p>Drawer Face - Top-1pc</p>
<p>21</p>  <p>Sides Drawer Panel - Top (L) - 1pc</p>	<p>22</p>  <p>Sides Drawer Panel - Top (R) - 1pc</p>
<p>23</p>  <p>Back Drawer Panel - Top -1pc</p>	<p>24</p>  <p>Bottom Drawer Panel - 2pcs</p>
<p>25</p>  <p>Drawer Face - Bottom -1pc</p>	<p>26</p>  <p>Side Drawer Panel - Bottom (Left) - 1pc</p>
<p>27</p>  <p>Side Drawer Panel - Bottom (Right) - 1pc</p>	<p>28</p>  <p>Back Drawer Panel - Bottom - 1pc</p>

Part List

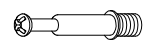
<p>29</p>  <p>Door - 1pc</p>	<p>30</p>  <p>Racket Panel (L) - 1pc</p>
<p>31</p>  <p>Racket Panel (R) - 1pc</p>	<p>32</p>  <p>Mid Racket Panel - 2pcs</p>
<p>33</p>  <p>Round horizontal Bar - 2pcs</p>	<p>34</p>  <p>Sink - 1pc</p>

Hardware List

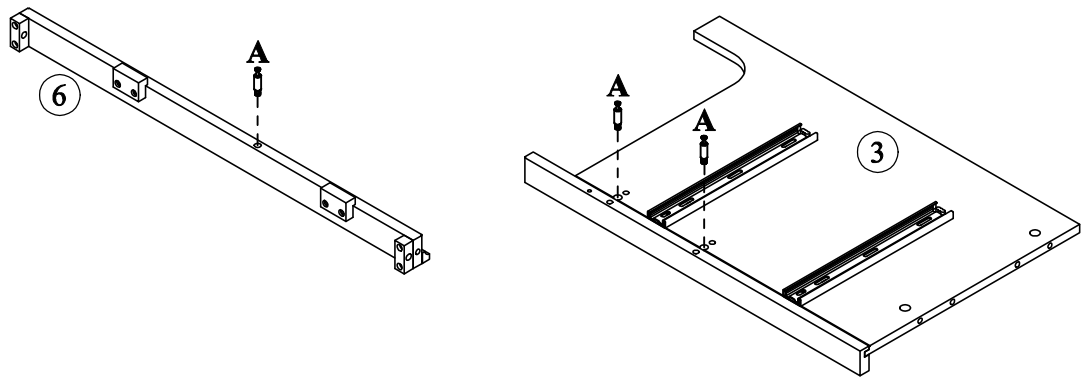
A  ø6x35mm	B  ø14.5x12mm	C  ø8x30mm
Three in one bolts - 30pcs	Three in one lock - 30pcs	Wood dowel - 37pcs
D  ø6x30mm	E  ø8xø4x32mm	F  ø8xø4x25mm
Wood dowel - 12pcs	Round head screw - 33pcs	Round head screw - 2pcs
G 	H 	I  ø5/32"x25mm
Handle (1pc)	Handle (5pcs)	Handle screw - 1pc
J  ø5/32"x32mm	K 	L  ø7xø3.5x12mm
Handle screw - 10pcs	Damping hinge - 2pcs	Flat head screw - 12pcs
M 	N 	O 
Duo Forte (L) - 1pc	Duo Forte (R) - 1pc	Rotary Hinge(L/R)- 4pcs
P  ø6xø3x12mm	Q 	R  ø13x1/4"x40mm
Round head screw(16pcs)	Laminate pad - 4pcs	Hex-Head bolts-10pcs
S  ø1/4"x16x1mm	T  ø1/4"x10x1.2mm	U  4mm
Washer-10pcs	Lock Washer - 10pcs	Allen key - 1pc
V 		
Anti fall hardware (2sets)		

STEP: 1

A



3PCS



STEP: 2

B

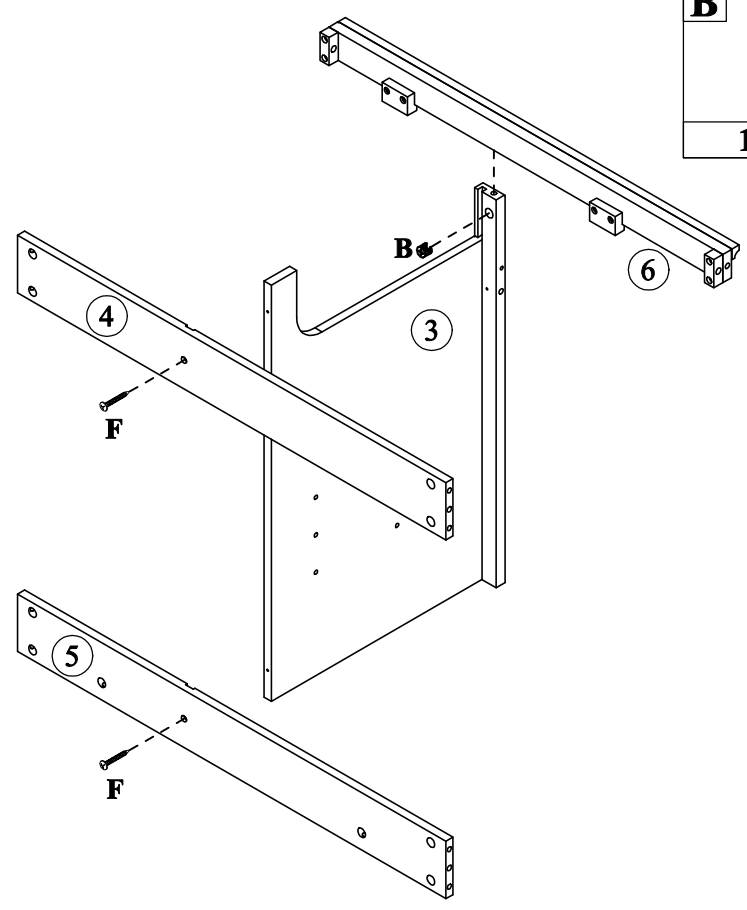


1PC


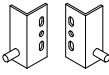
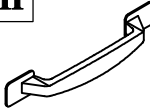
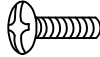

F

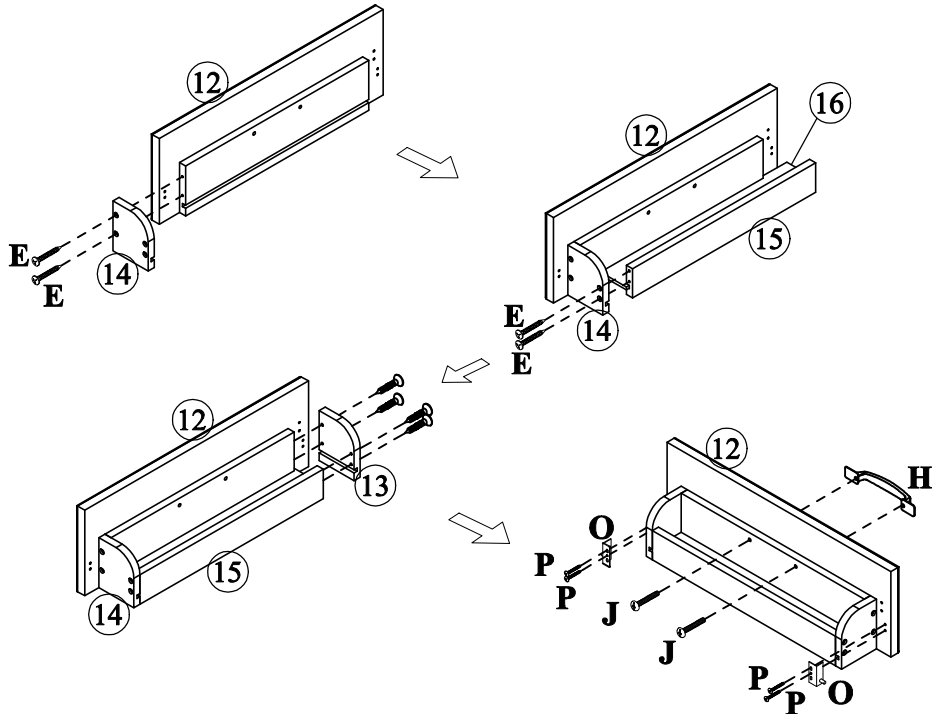


2PCS




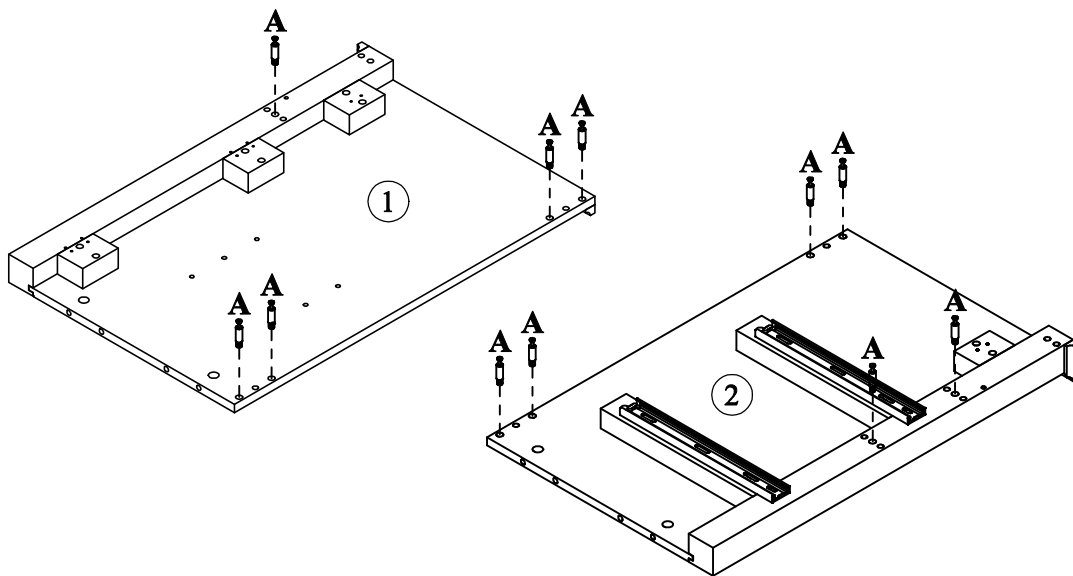
STEP: 3

P	O	H	J	E
				
4PCS	2PCS	1PC	2PCS	8PCS




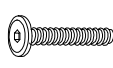
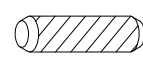




STEP: 4

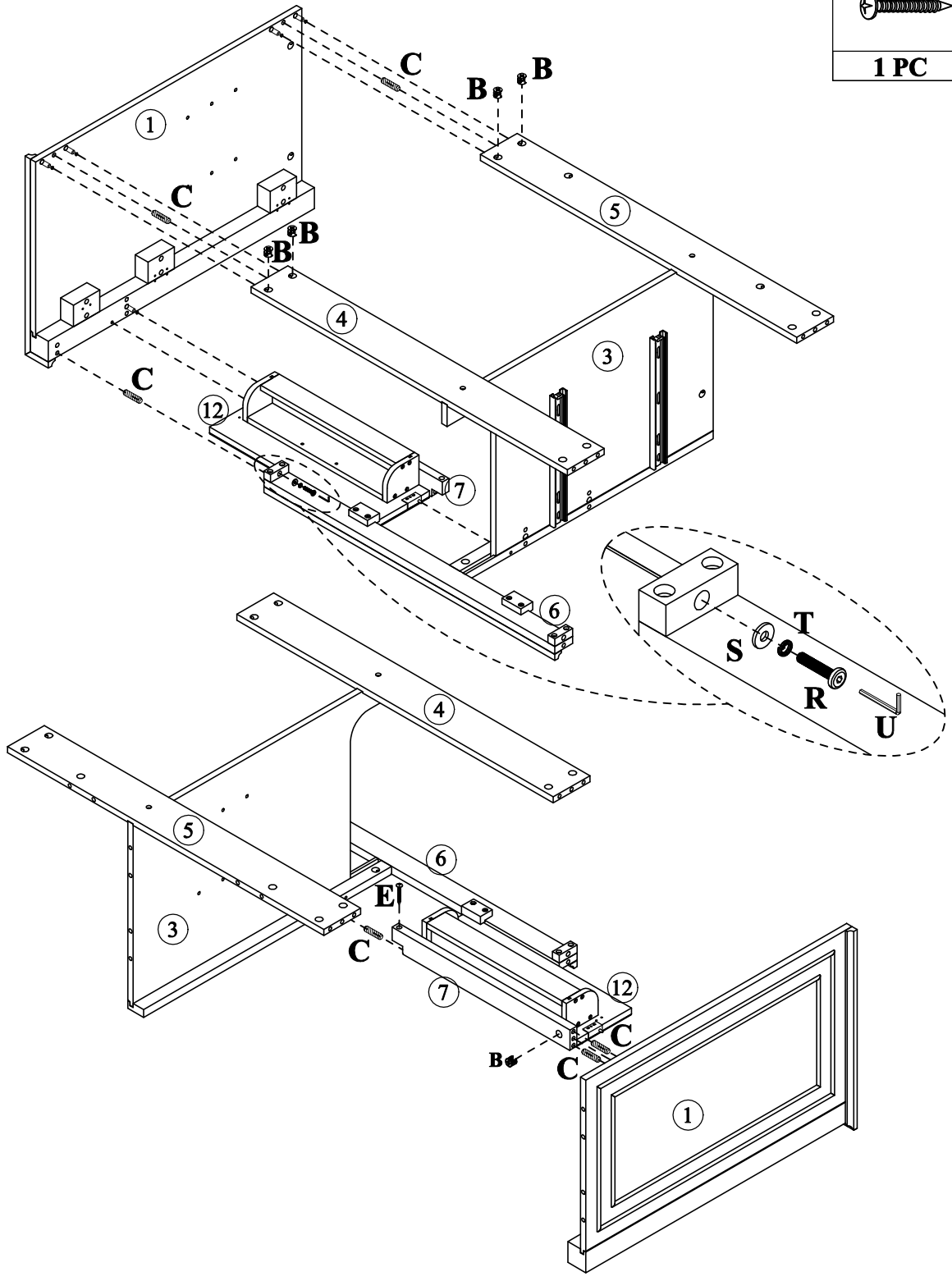
A

11PCS




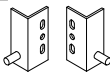
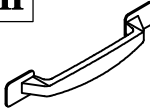
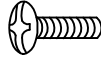

STEP: 5

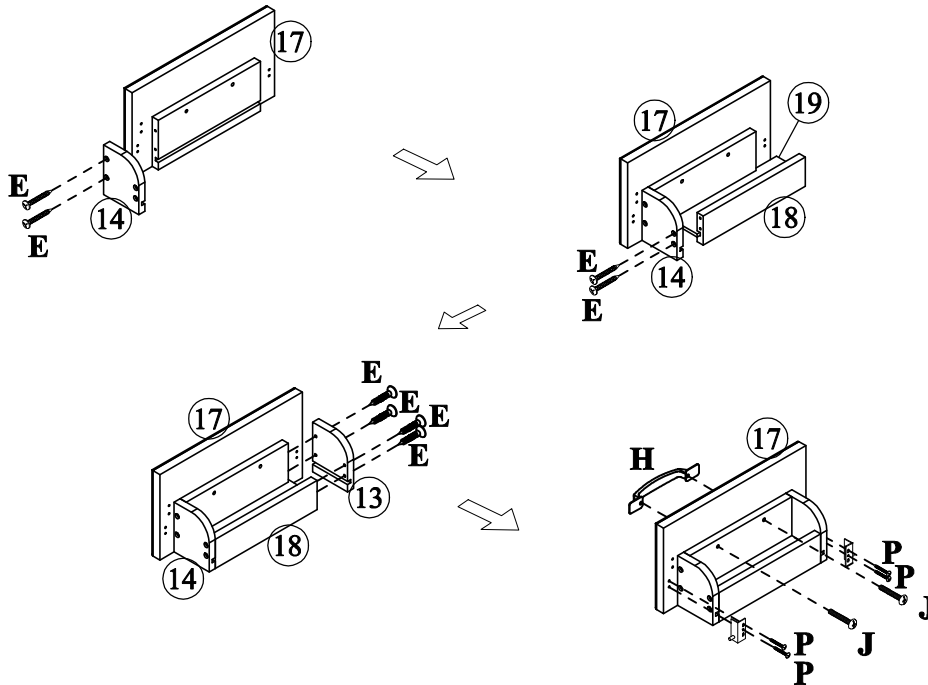
U 	T 	S 	R 	C 	B 
1PC	1PC	1PC	1PC	6PCS	5PCS

E 
1 PC

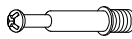






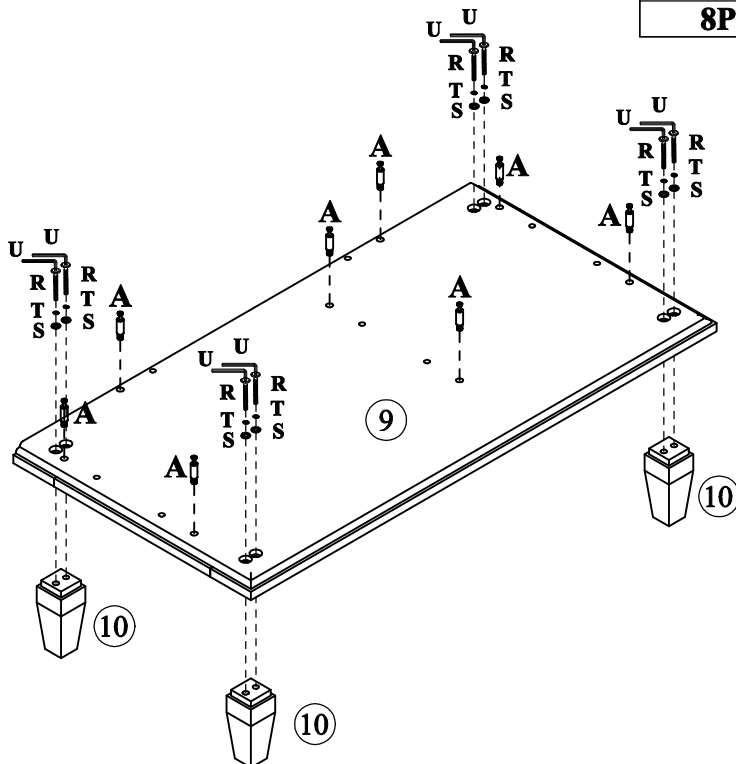
STEP: 6

P	O	H	J	E
				
4PCS	2PCS	1PC	2PCS	8PCS




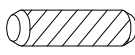




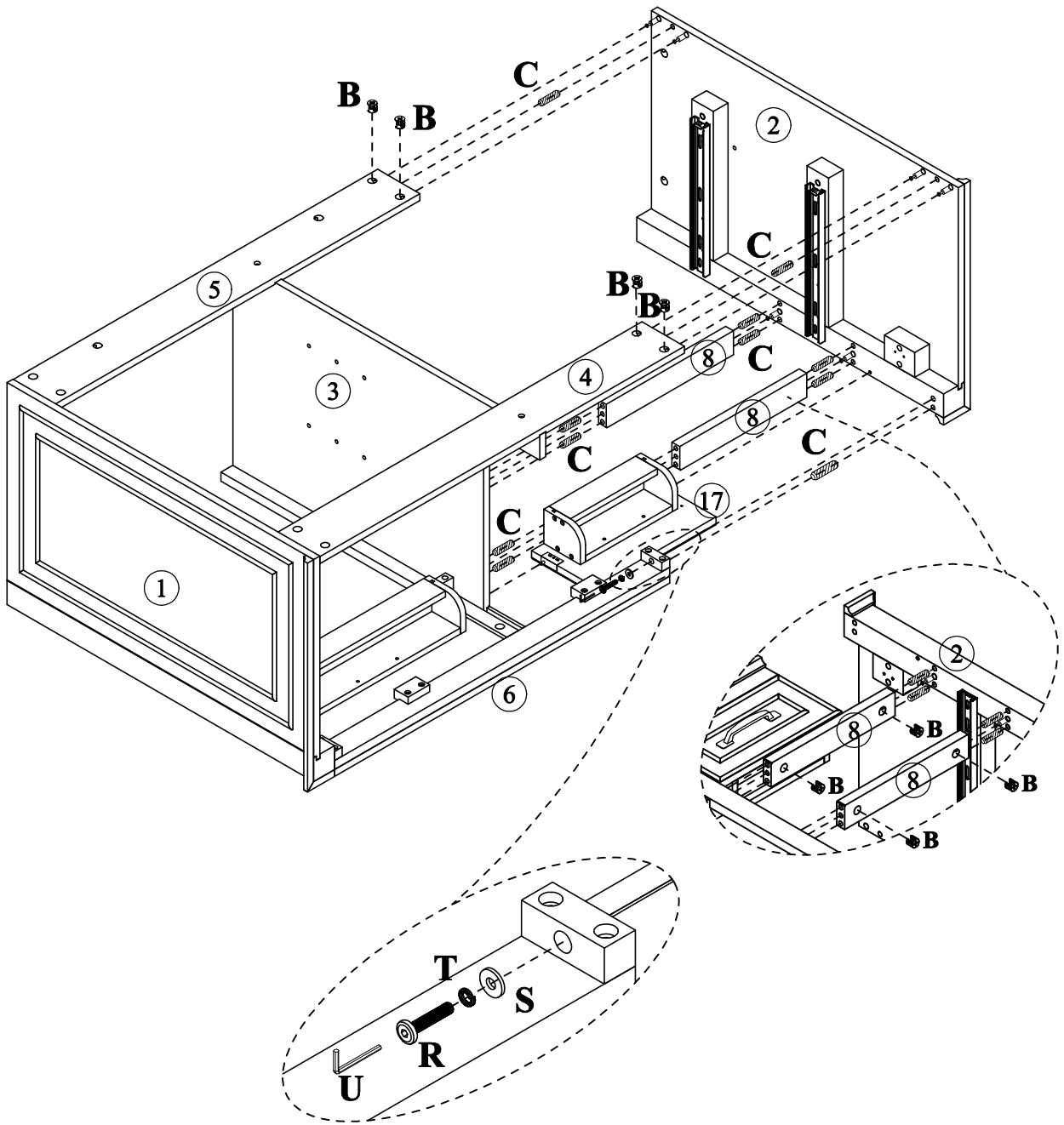
STEP: 7

A	U	T
		
8PCS	1PC	8PCS
		S
		
		8PCS
		R
		
		8PCS

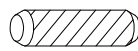



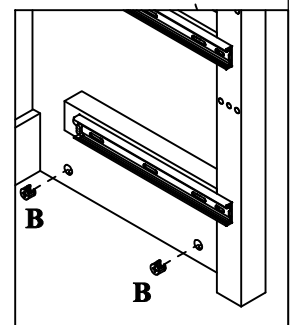
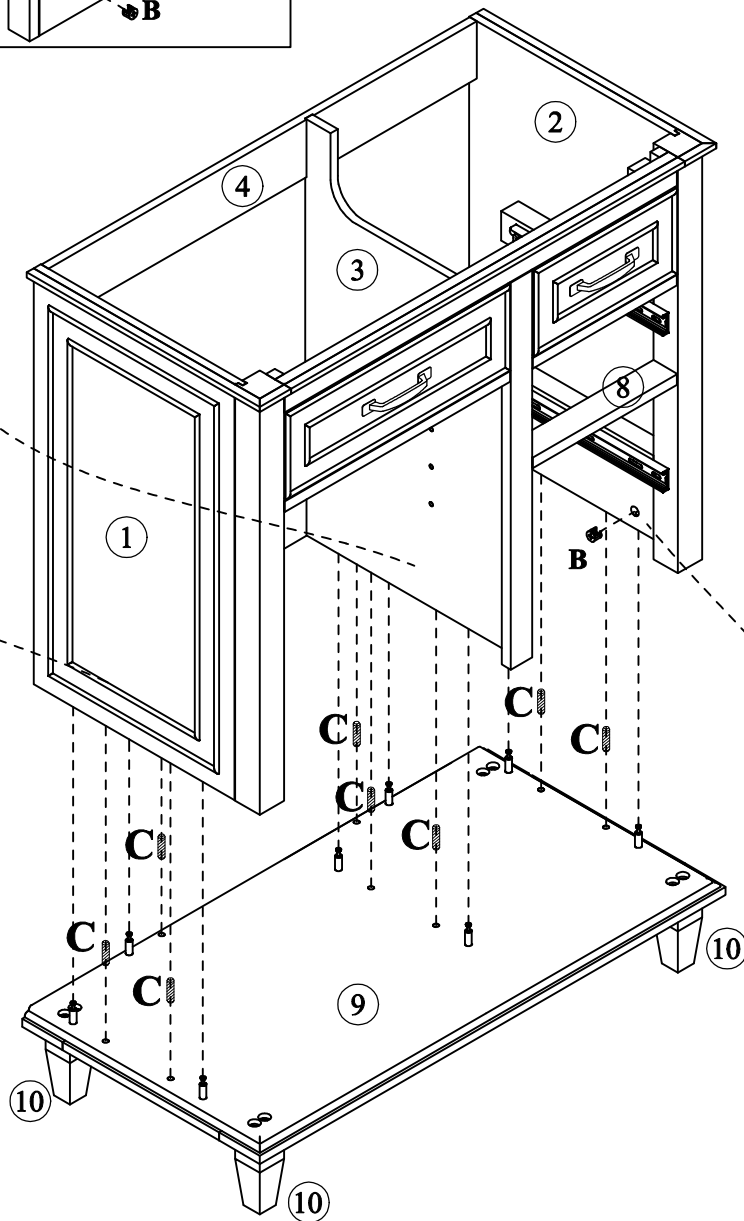
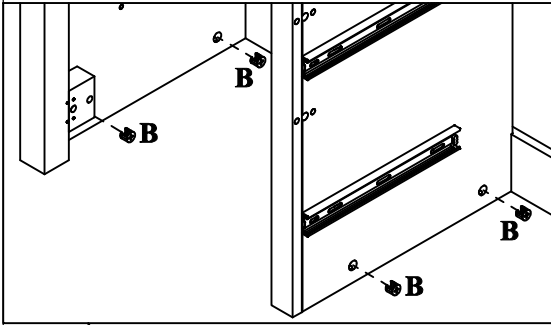
STEP: 8

S		T		R		C		B		U	
1 PC		1 PC		1 PC		11PCS		8PCS		1PC	



STEP: 9

C 	B 
8PCS	6PCS

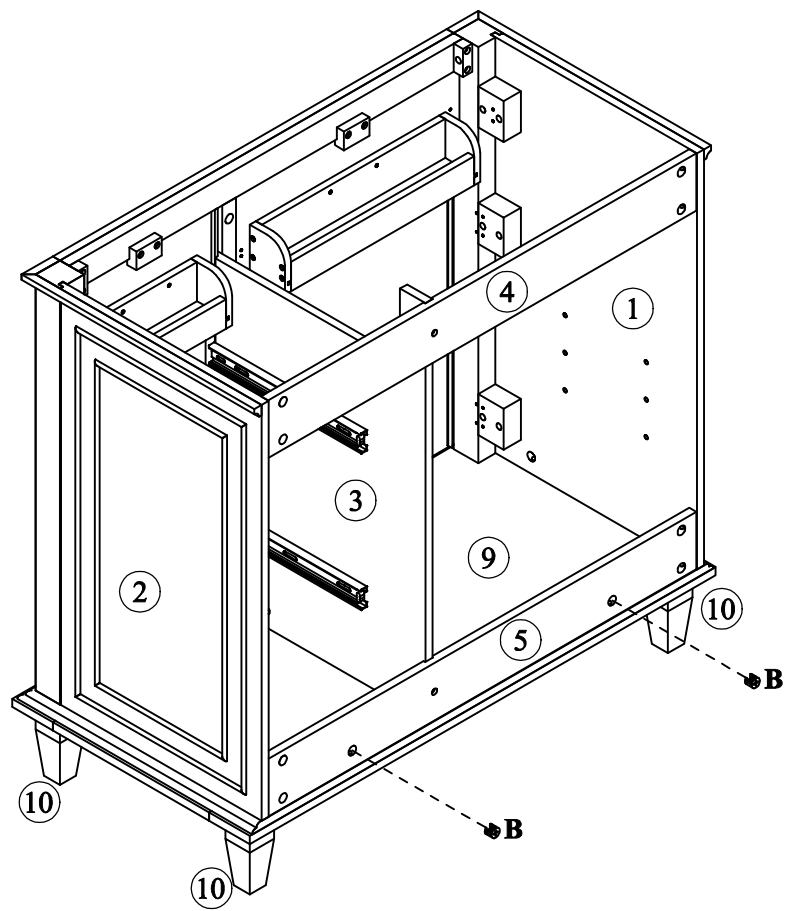


STEP: 10


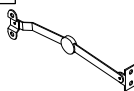
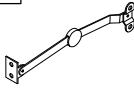
B

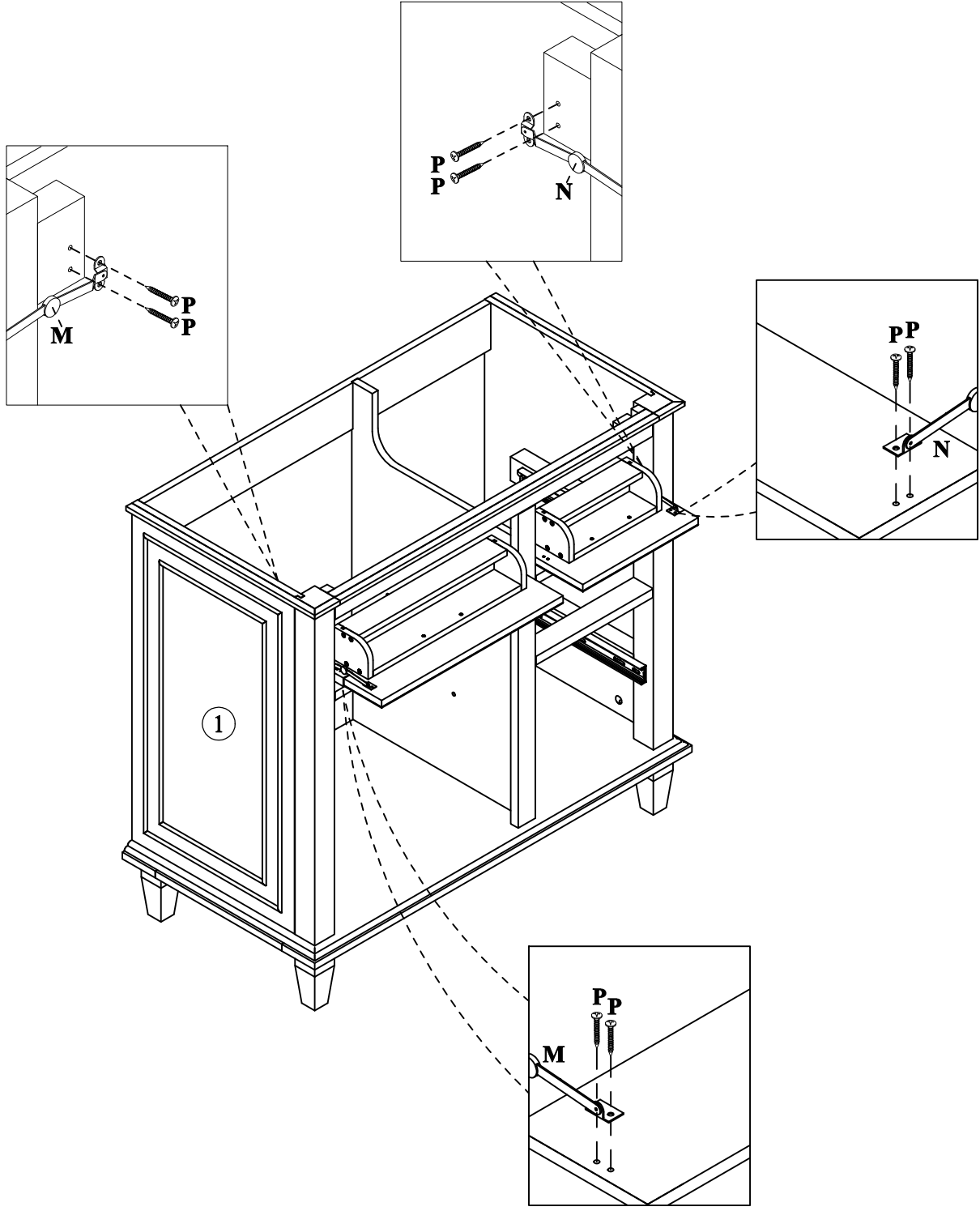


2PCS



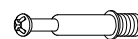
STEP: 11

P 	M 	N 
8PCS	1PC	1PC

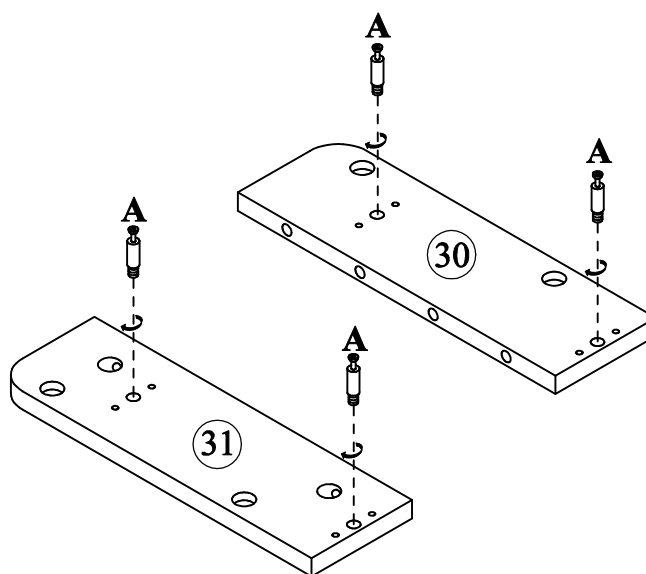
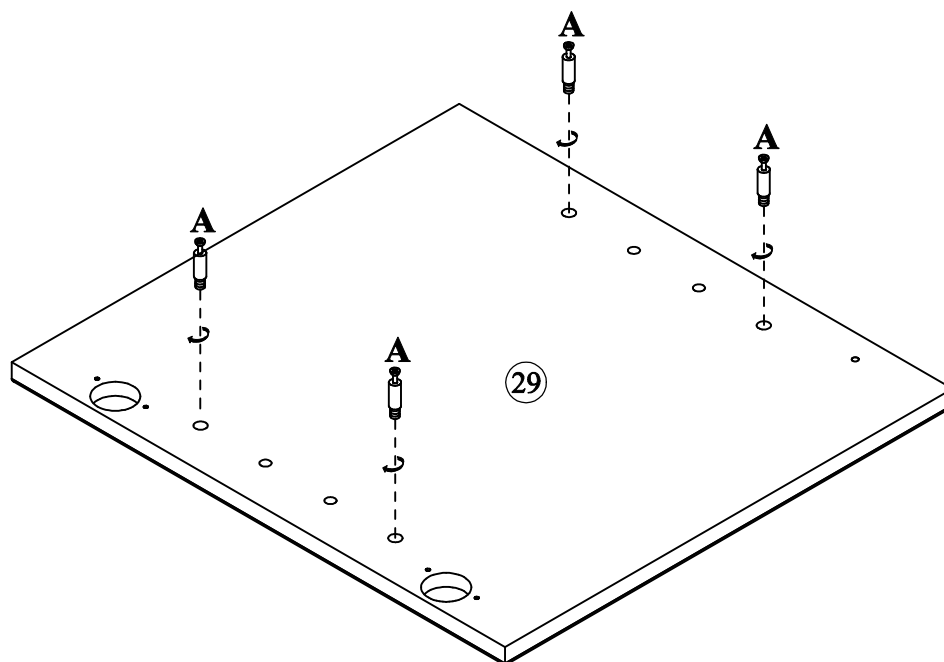


STEP: 12

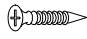

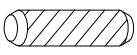

A

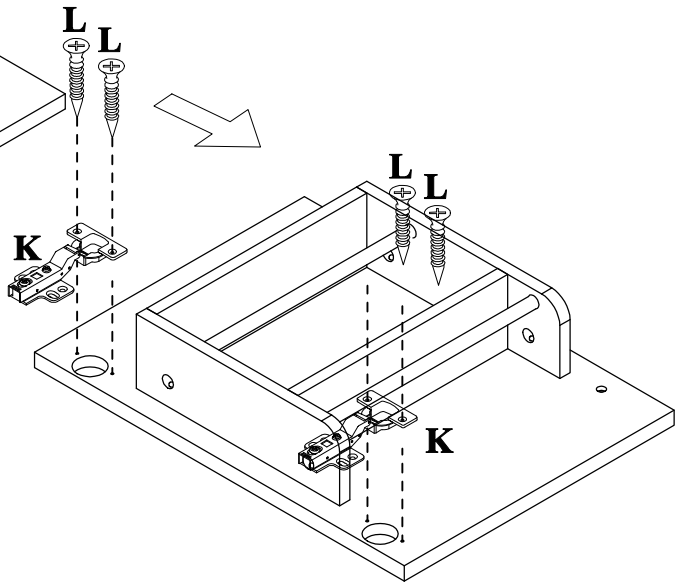
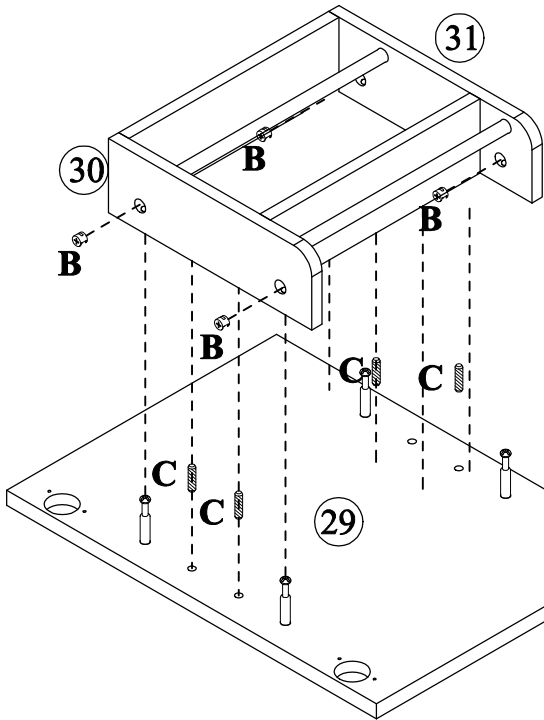
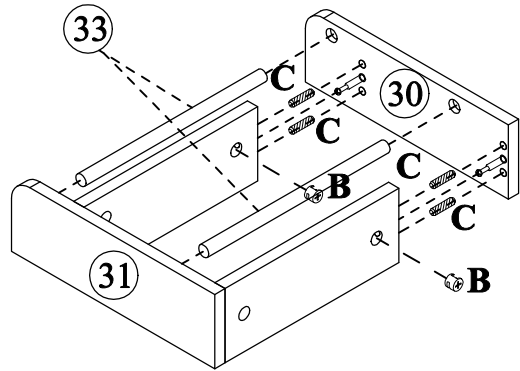
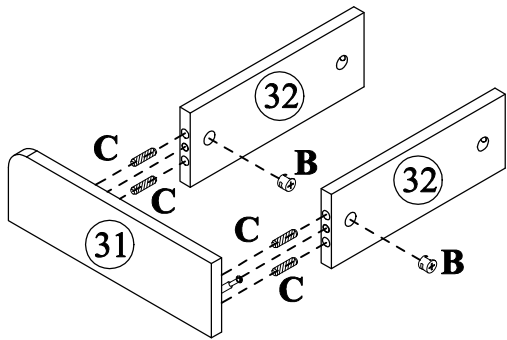


8PCS

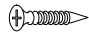

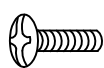


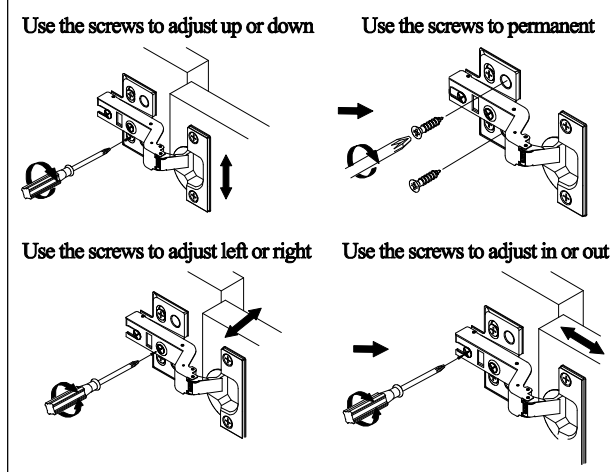
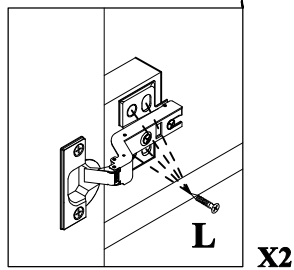
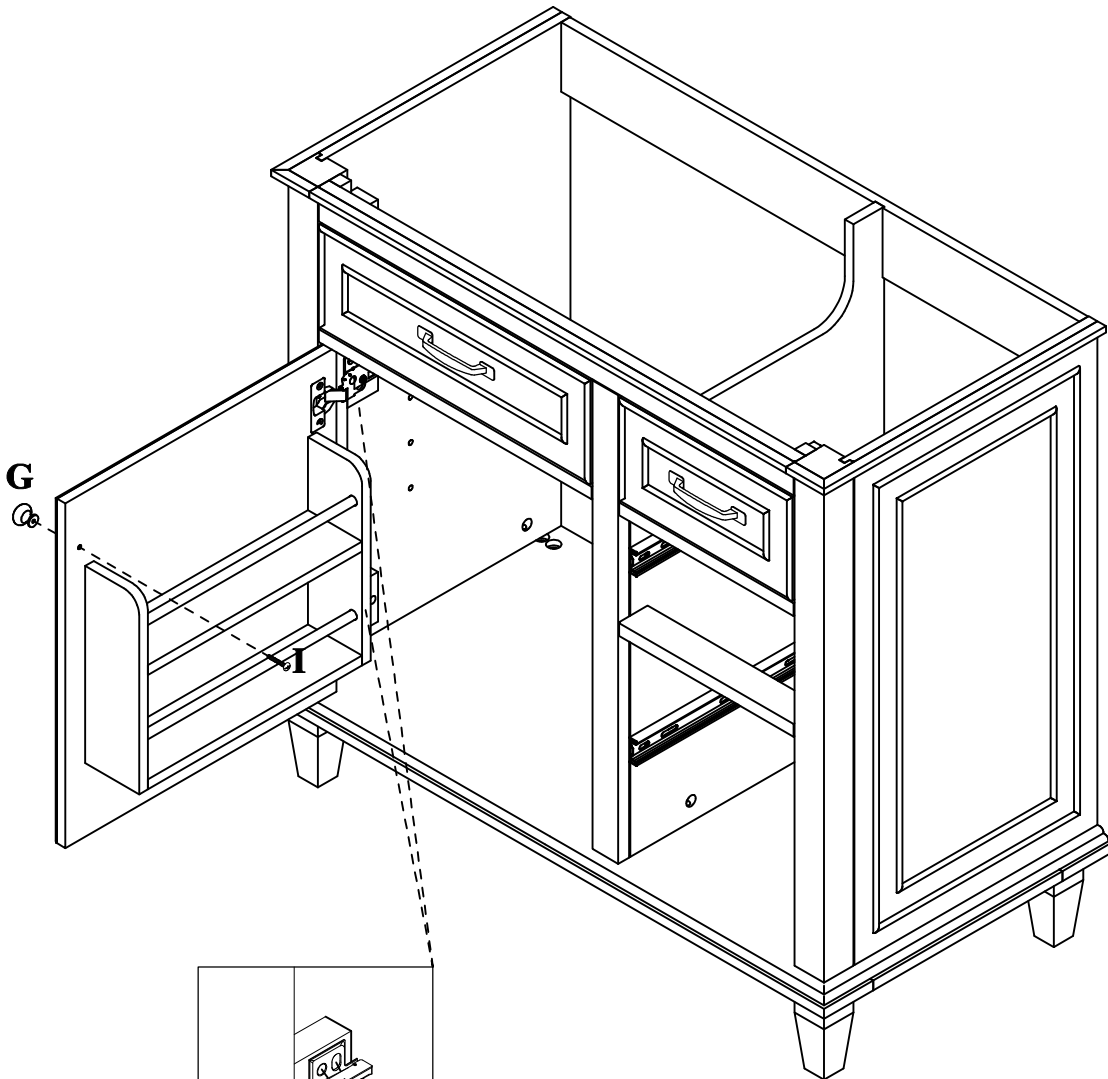
STEP: 13

L	K	C	B
			
4PCS	2PCS	12PCS	8PCS

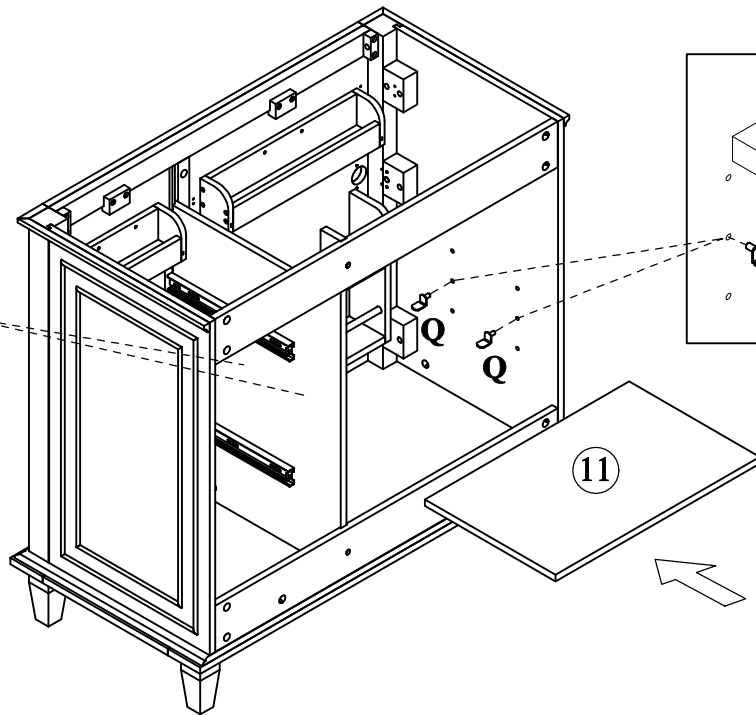
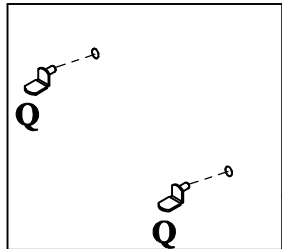


STEP: 14

L	G	I
		
8PCS	1PC	1PC



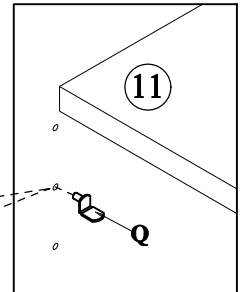
STEP: 15



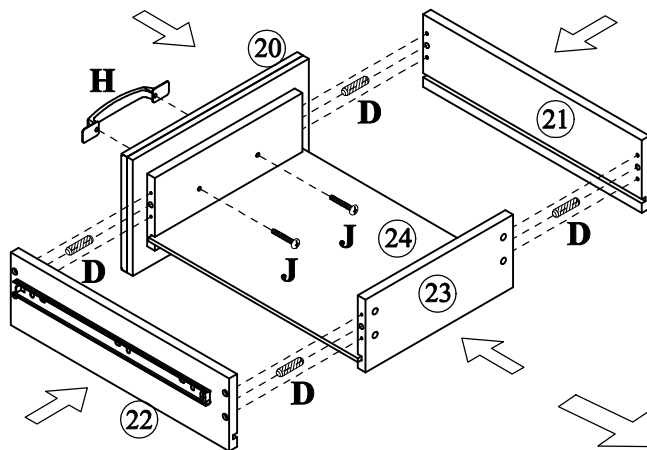
Q



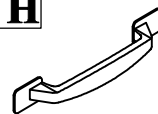
4PCS



STEP: 16

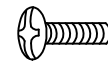


H



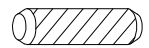
1PC

J



2PCS

D

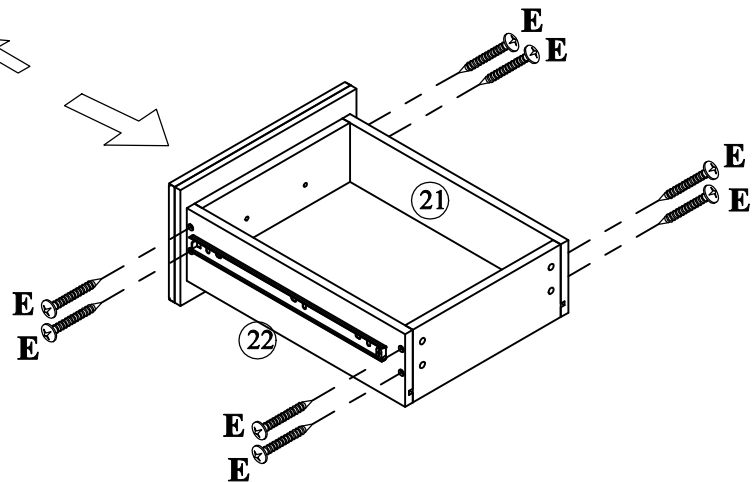


4PCS

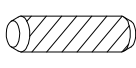
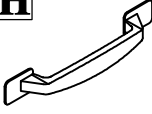
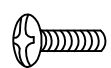

E

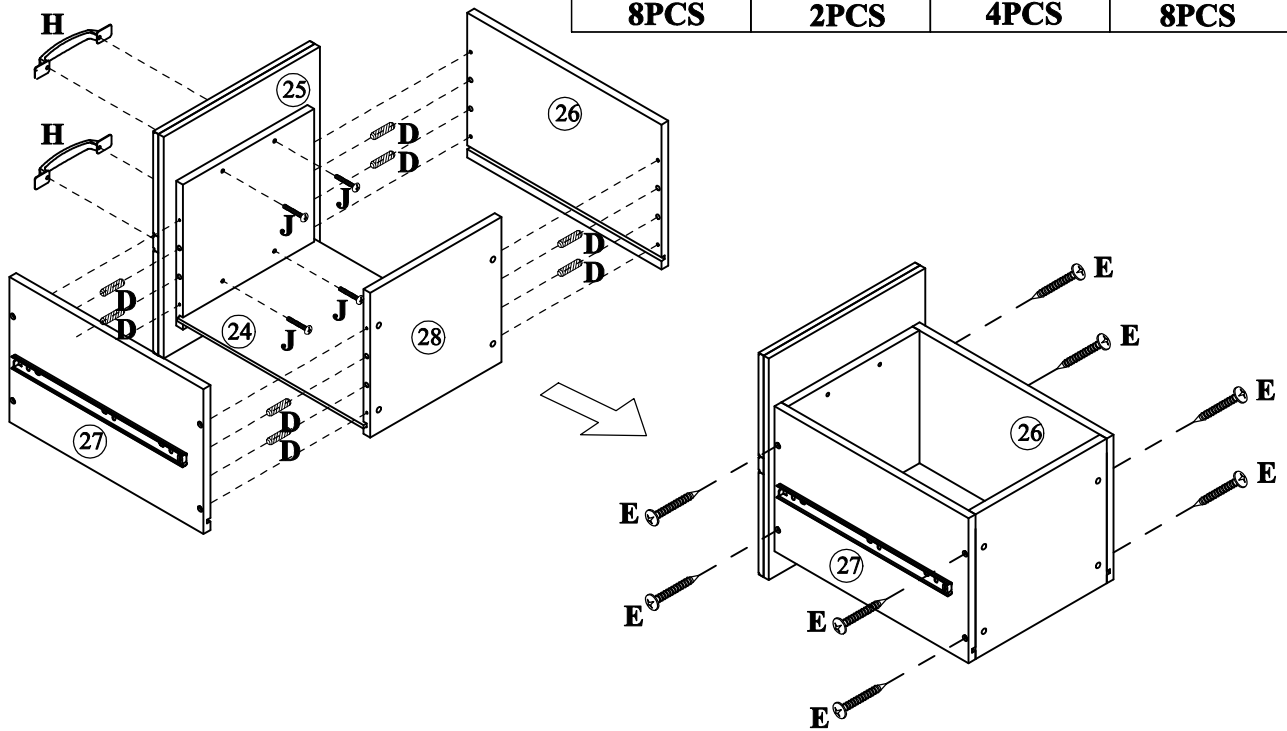


8PCS

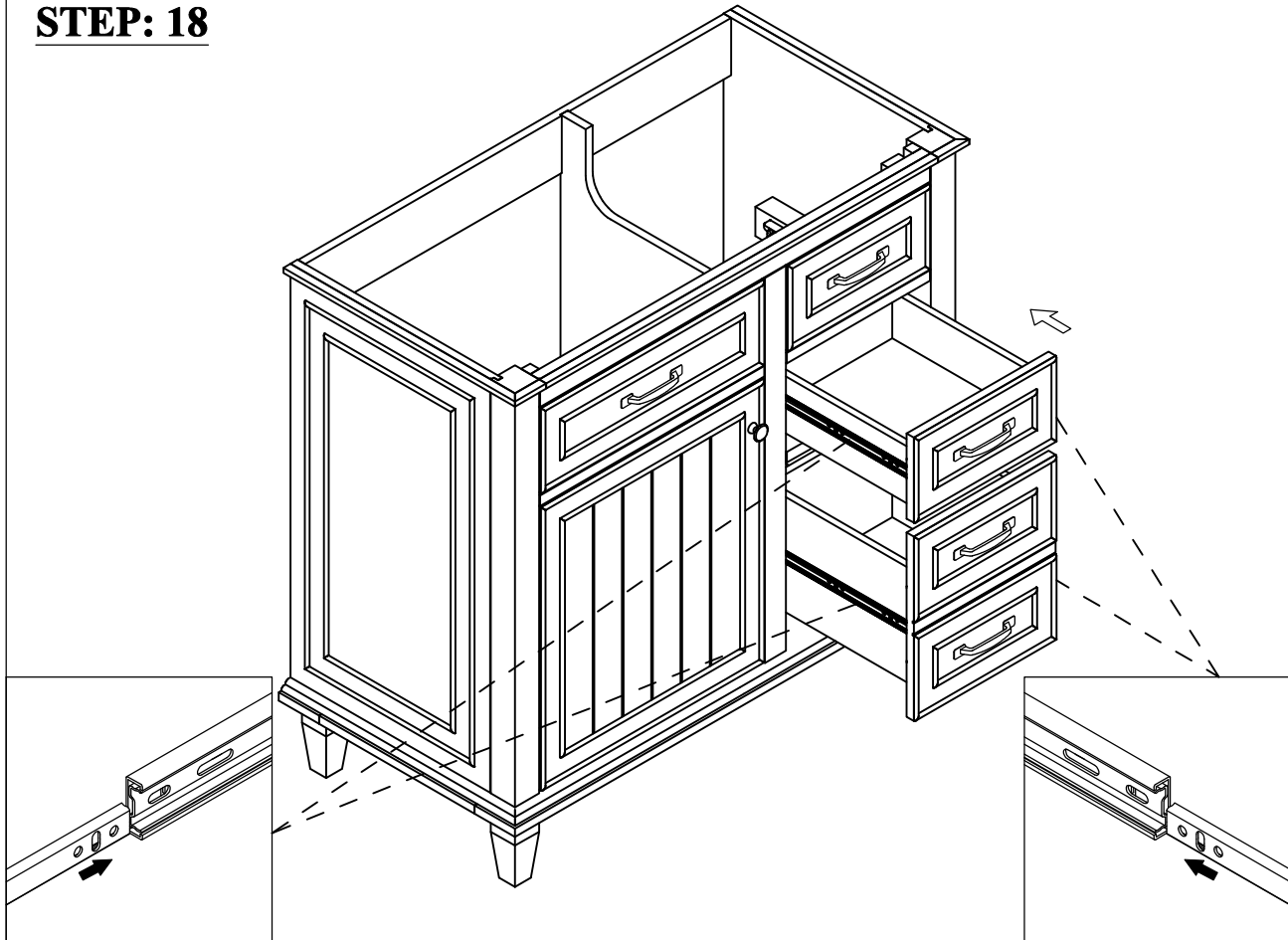


STEP: 17

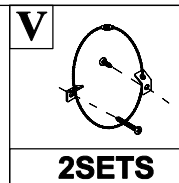
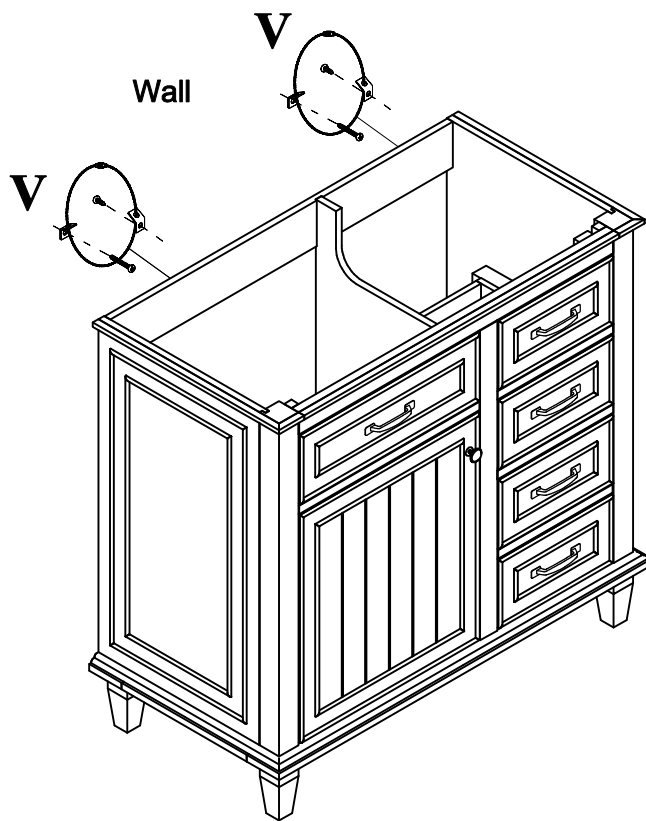
D 	H 	J 	E 
8PCS	2PCS	4PCS	8PCS



STEP: 18

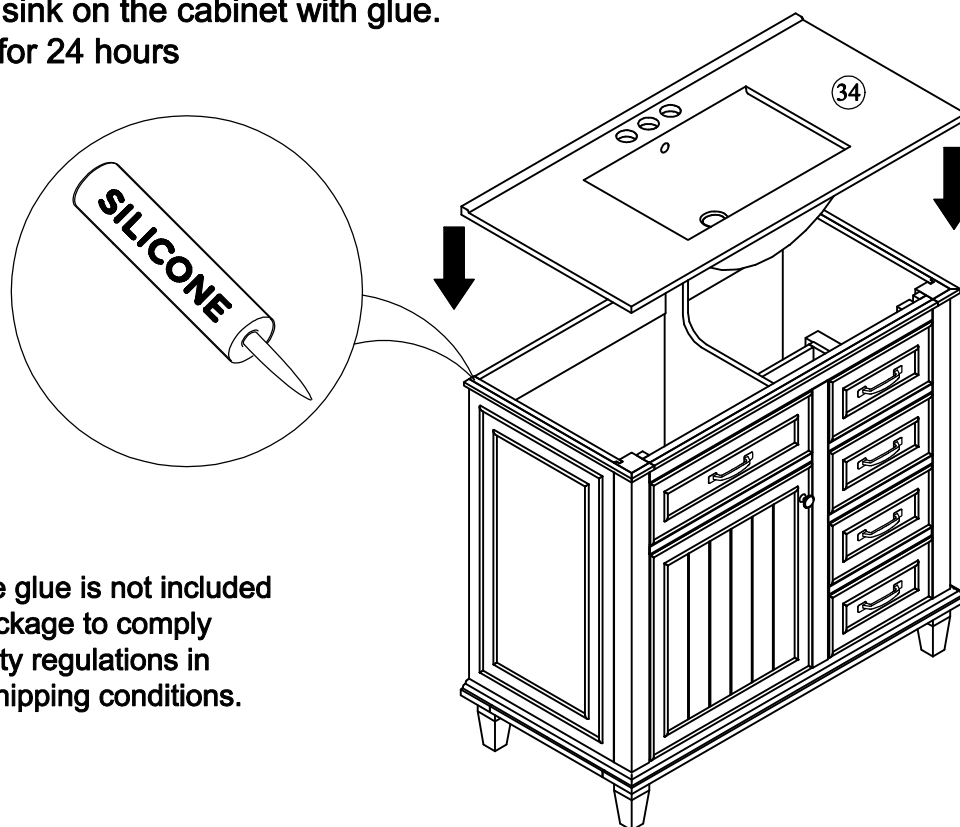


STEP: 19



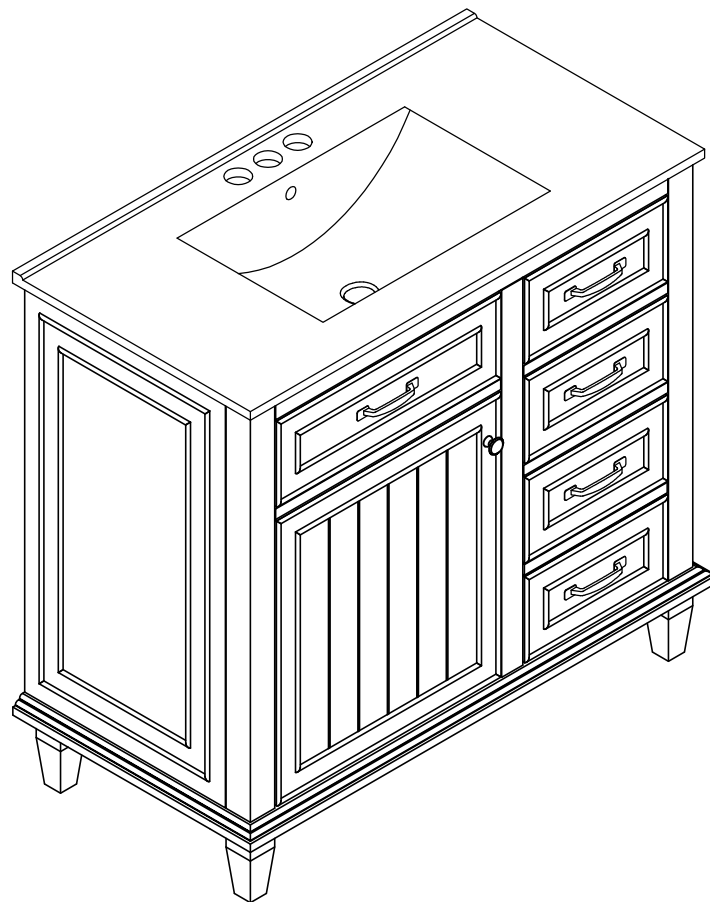
STEP: 20

Install the sink on the cabinet with glue.
Let stand for 24 hours

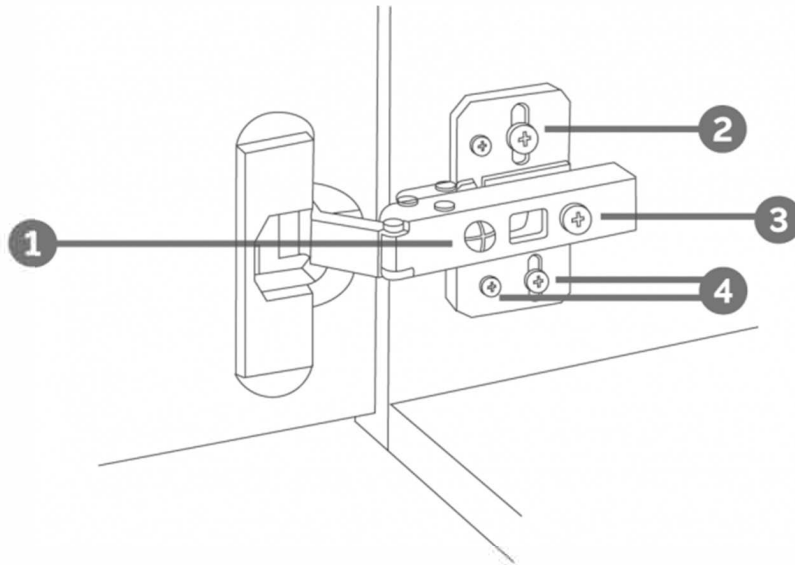


*Silicone glue is not included
in the package to comply
with safety regulations in
certain shipping conditions.

STEP: 21

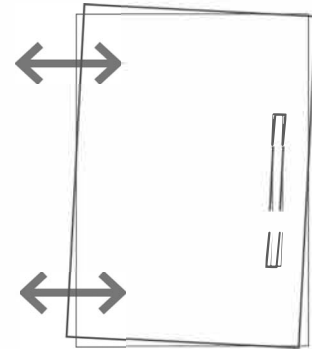


HINGE ADJUSTMENTS



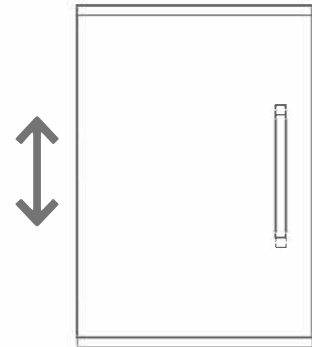
1 Sideways / Tilt adjustment

Turn the screw
clockwise to move the door further away from
the side of the cabinet
anticlockwise to move the door closer to the
side of the cabinet



2 4 Height adjustment

While supporting the weight of the door, turn the
screws
clockwise to move the door up
anticlockwise to move the door down



3 Forward and back adjustment

If the gap between the back of the door and the
cabinet is too small, and the door may not close
fully. Turn the screw
clockwise to decrease the gap between the
door and the cabinet
anticlockwise to increase the gap between the
door and the cabinet

