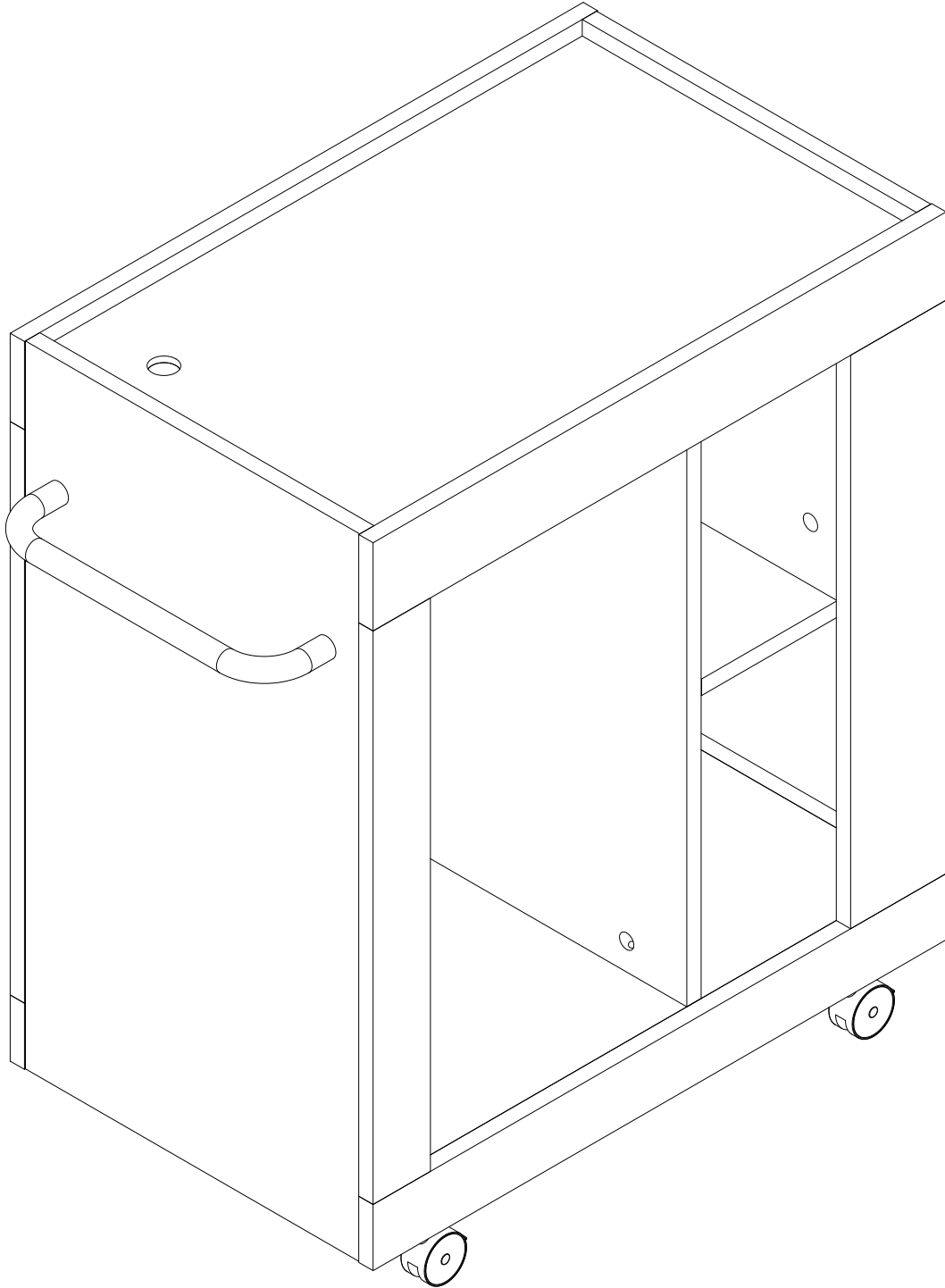
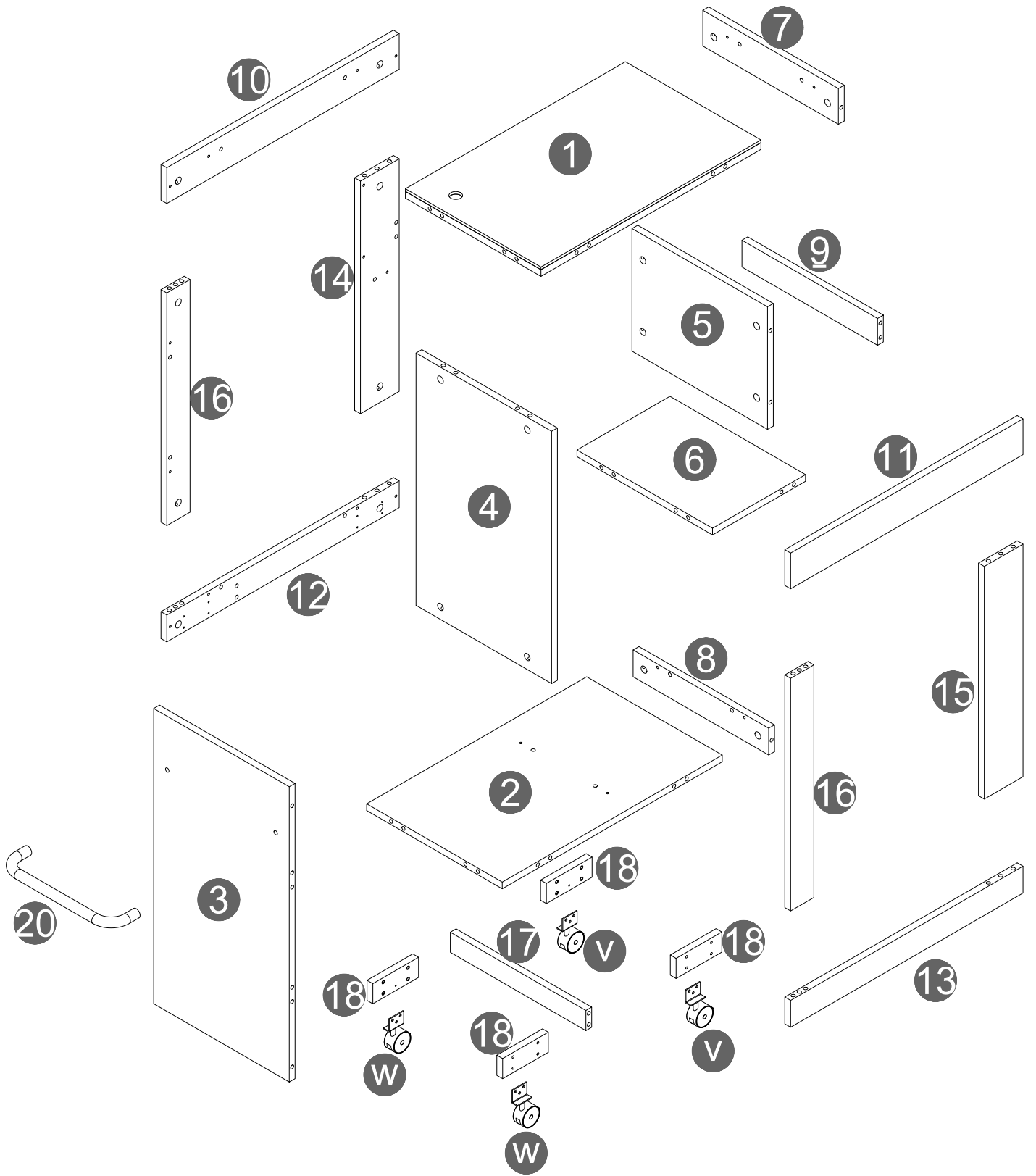
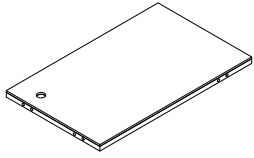


Installation & Assembly

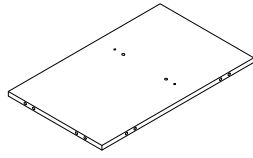




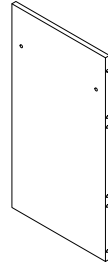
PARTS LIST



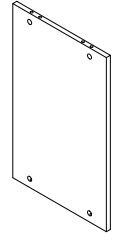
1 X1



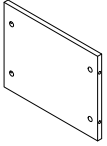
2 X1



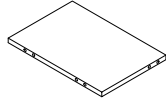
3 X1



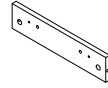
4 X1



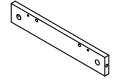
5 X1



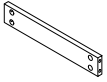
6 X1



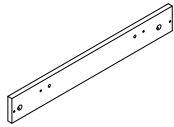
7 X1



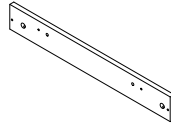
8 X3



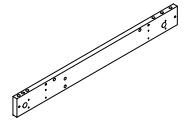
9 X1



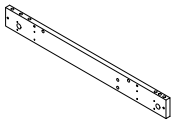
10 X1



11 X1



12 X1



13 X1



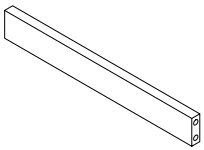
14 X2



15 X1



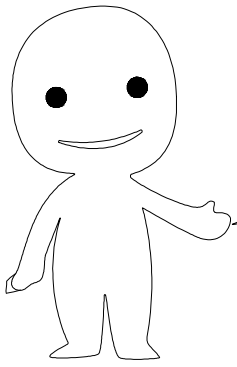
16 X2



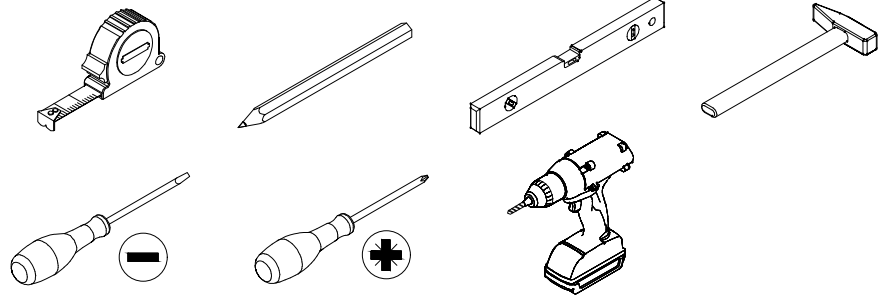
17 X1



18 X4



Please prepare the following tools



A 56 PCS

Ø15 x 12 mm

B 40 PCS

Ø7 x35 mm

C 8 PCS

Ø6 x72 mm

D 52 PCS

Ø8 x30 mm

E 56 PCS

F 2 PCS

M6 x 30

M 16 PCS

Ø3.5 x 25

N 12 PCS

Ø4 x 16

Q 2 PCS

Ø6 -15 mm

Z 1 PC

4mm

U 1 PCS

300x 70x20mm

V 2 PCS

Without brakes

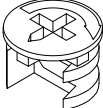
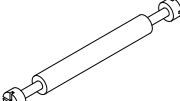
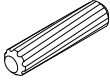
W 2 PCS

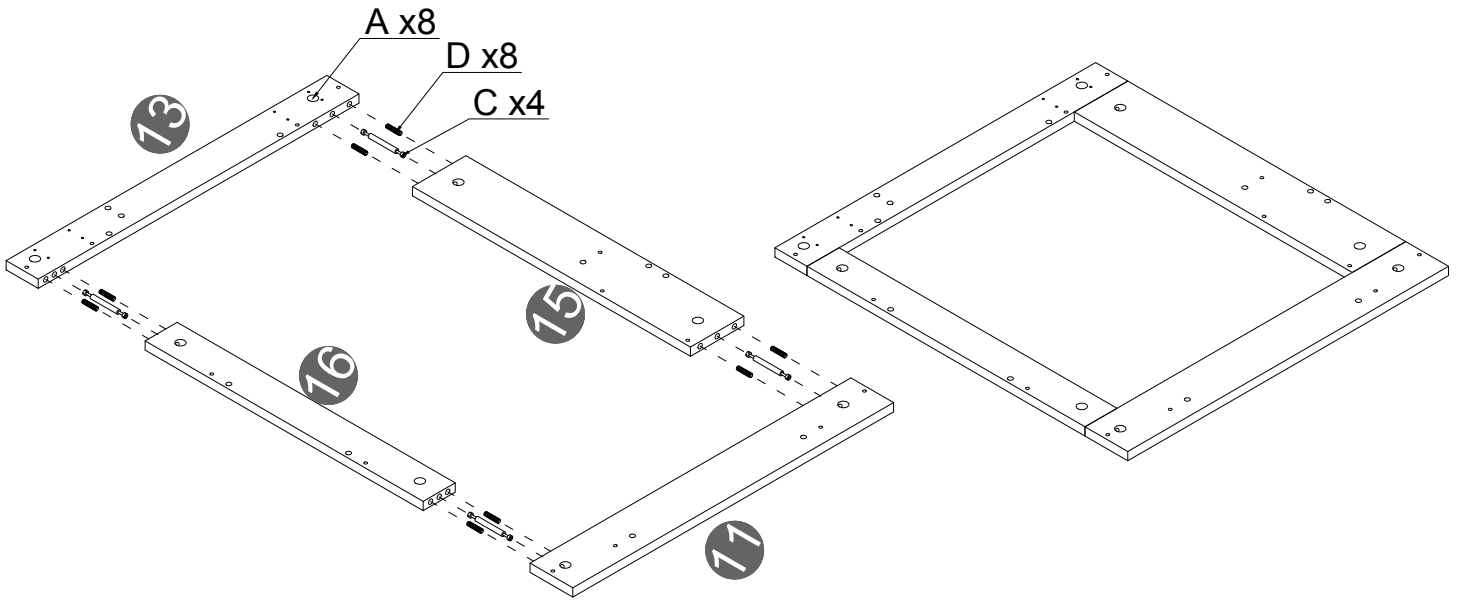
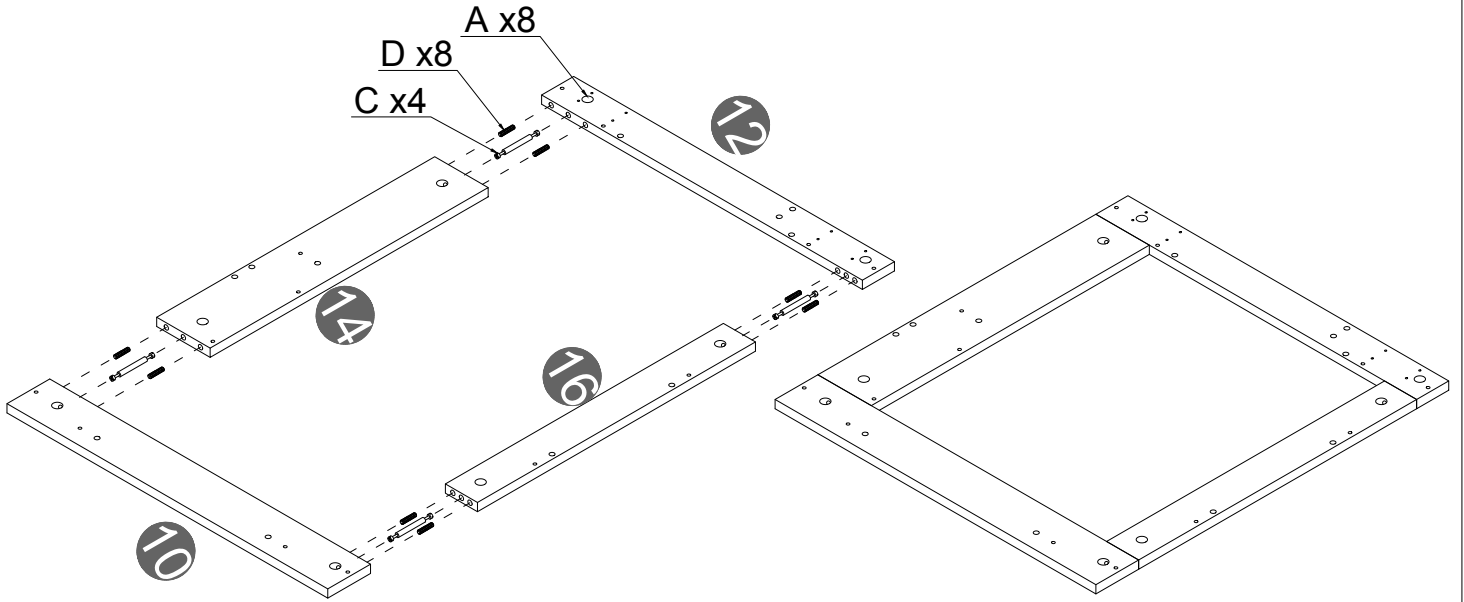
Equipped with brakes



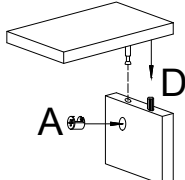
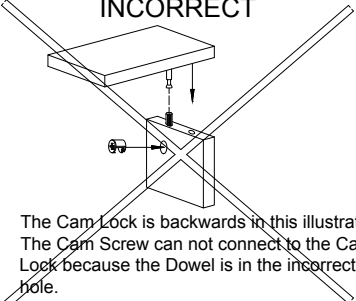
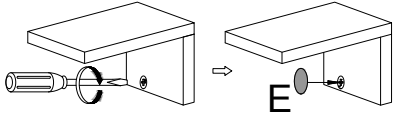
Tips: The number after "+" represents the spare hardware.

1

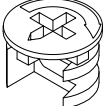
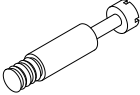
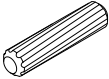
A	16 PCS	C	8 PCS	D	16 PCS
					
Ø15 x 12 mm		Ø6 x72 mm		Ø8 x30 mm	

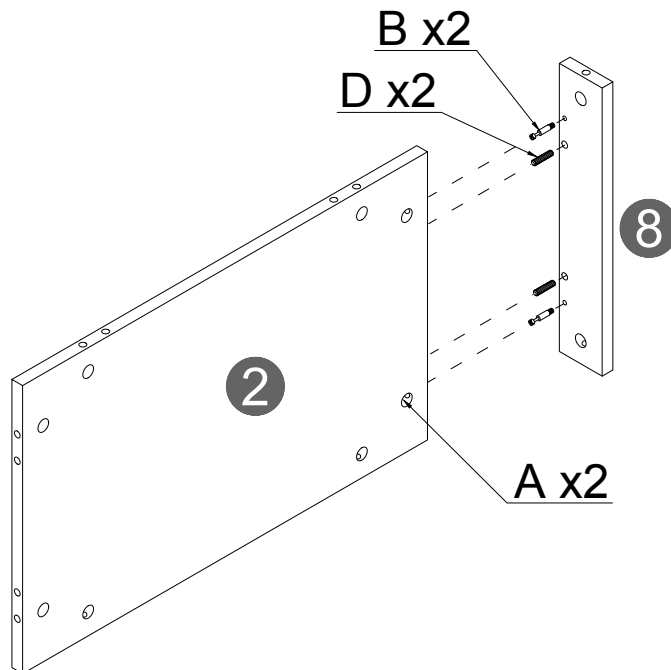
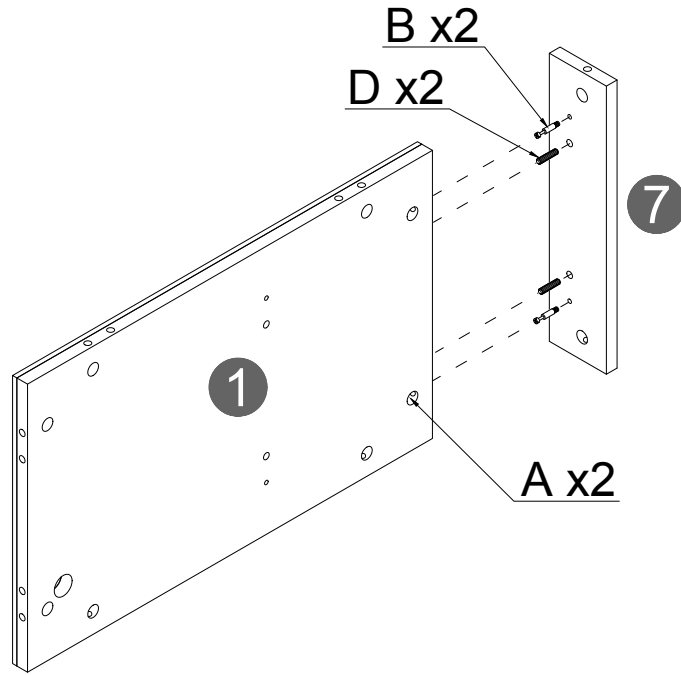
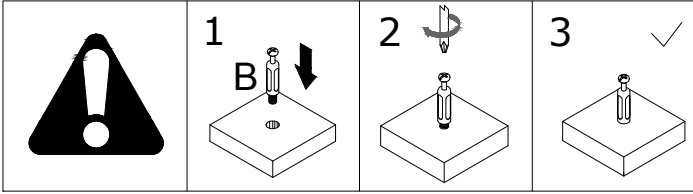


Cam Lock/Dowel Placement Supplement

<p>CORRECT 1</p>  <p>When inserting the Cam lock, make sure that the open End of the cam Lock faces the Cam Screw Entry. The Dowel will be inserted in the hole NEXT to the Cam Lock/Cam Screw hole.</p>	<p>INCORRECT 2</p>  <p>The Cam Lock is backwards in this illustration. The Cam Screw can not connect to the Cam Lock because the Dowel is in the incorrect hole.</p>	<p>3</p>  <p>To tighten, turn the Cam Lock CLOCKWISE until the arrow or "△" signs point AWAY from the connected Panel.</p> <p>*NOTE: DO NOT USE AN AUTOMATIC SCREWDRIVER TO TIGHTEN CAM LOCKS, DO NOT OVER-TIGHTEN.</p>
--	--	--

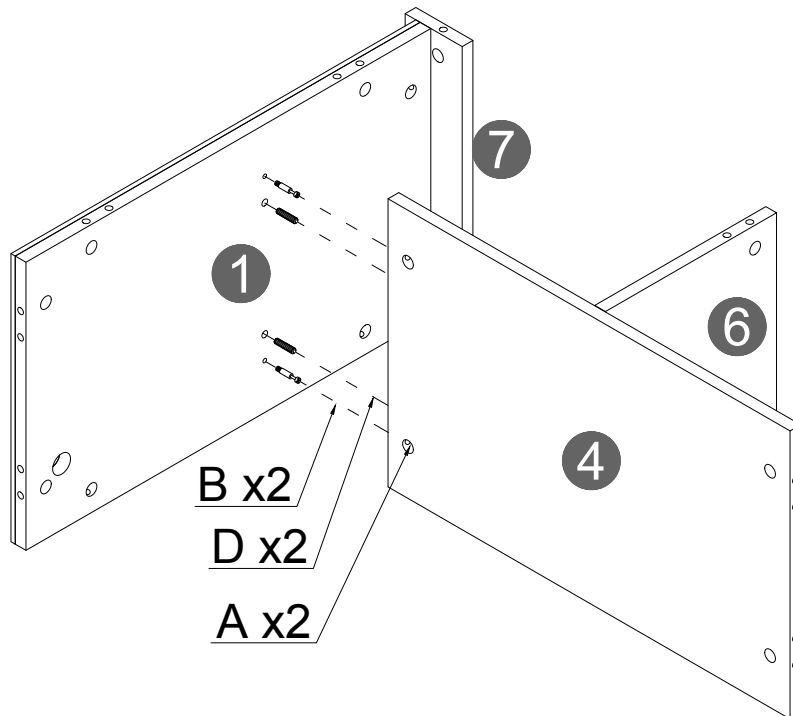
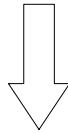
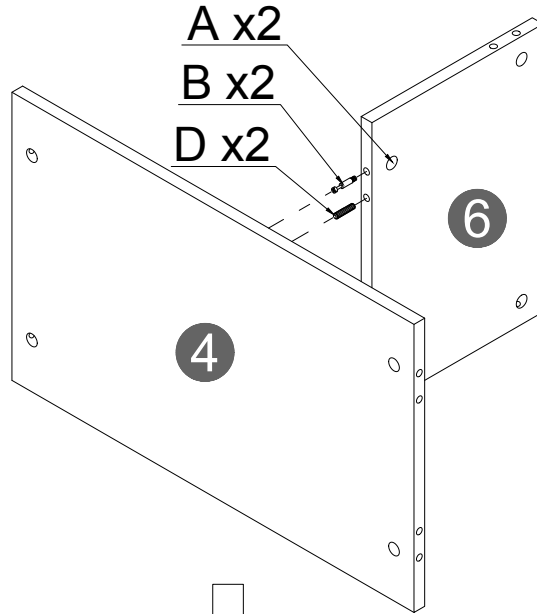
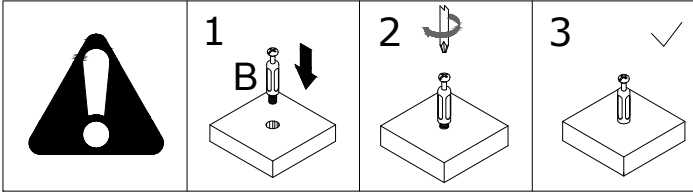
2

A	4 PCS	B	4 PCS	D	4 PCS
					
Ø15 x 12 mm		Ø7 x 35 mm		Ø8 x 30 mm	

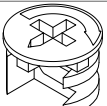
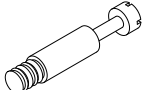
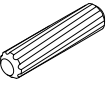


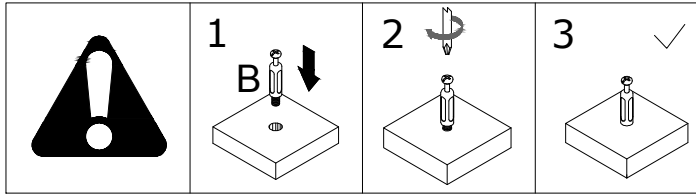


A	4 PCS	B	4 PCS	D	4 PCS
Ø15 x 12 mm		Ø7 x 35 mm		Ø8 x 30 mm	

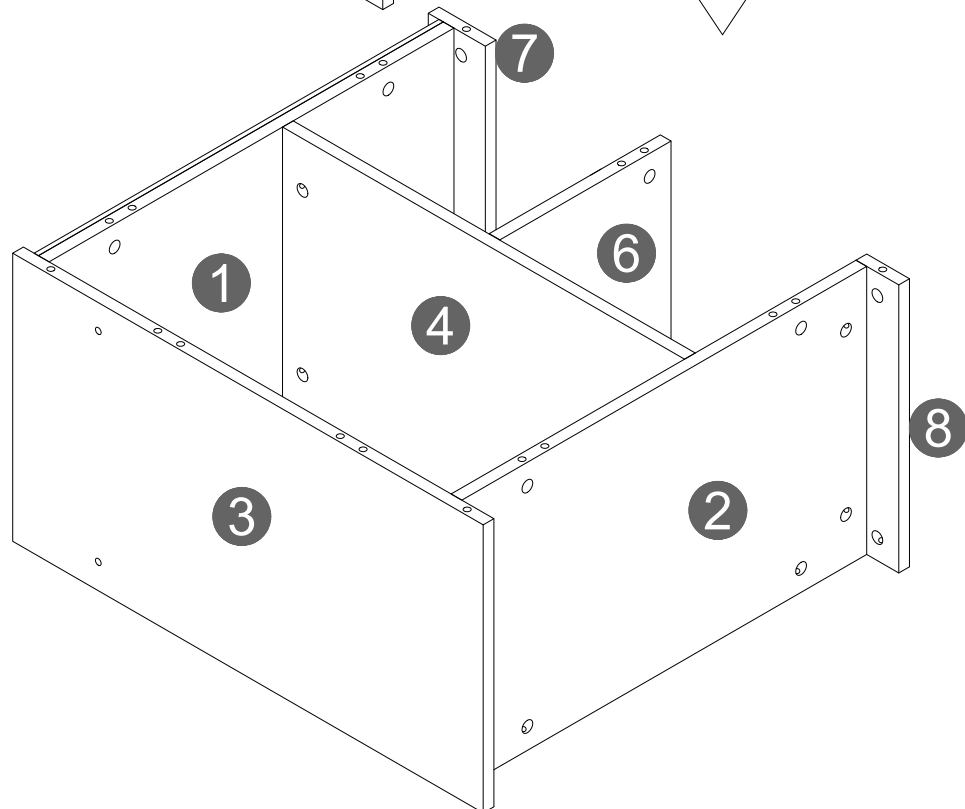
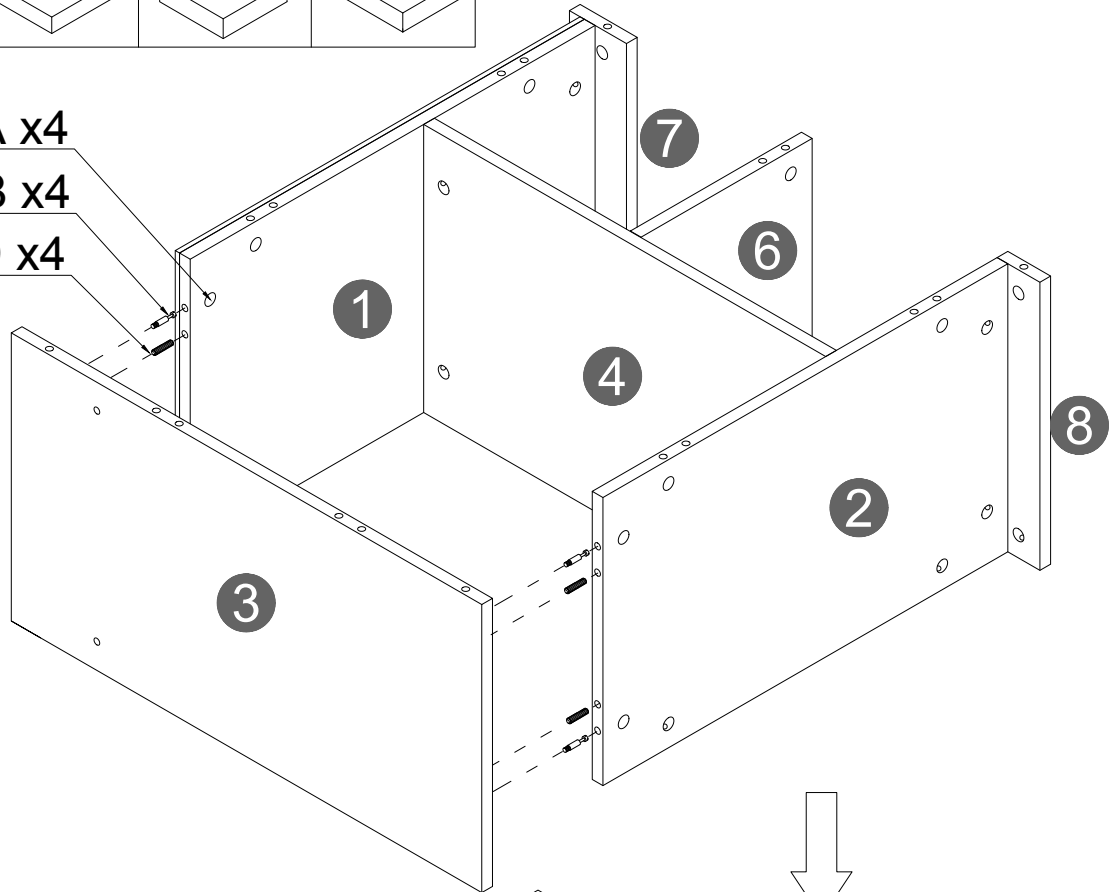


5

A	4 PCS	B	4 PCS	D	4 PCS
					
Ø15 x 12 mm		Ø7 x 35 mm		Ø8 x 30 mm	

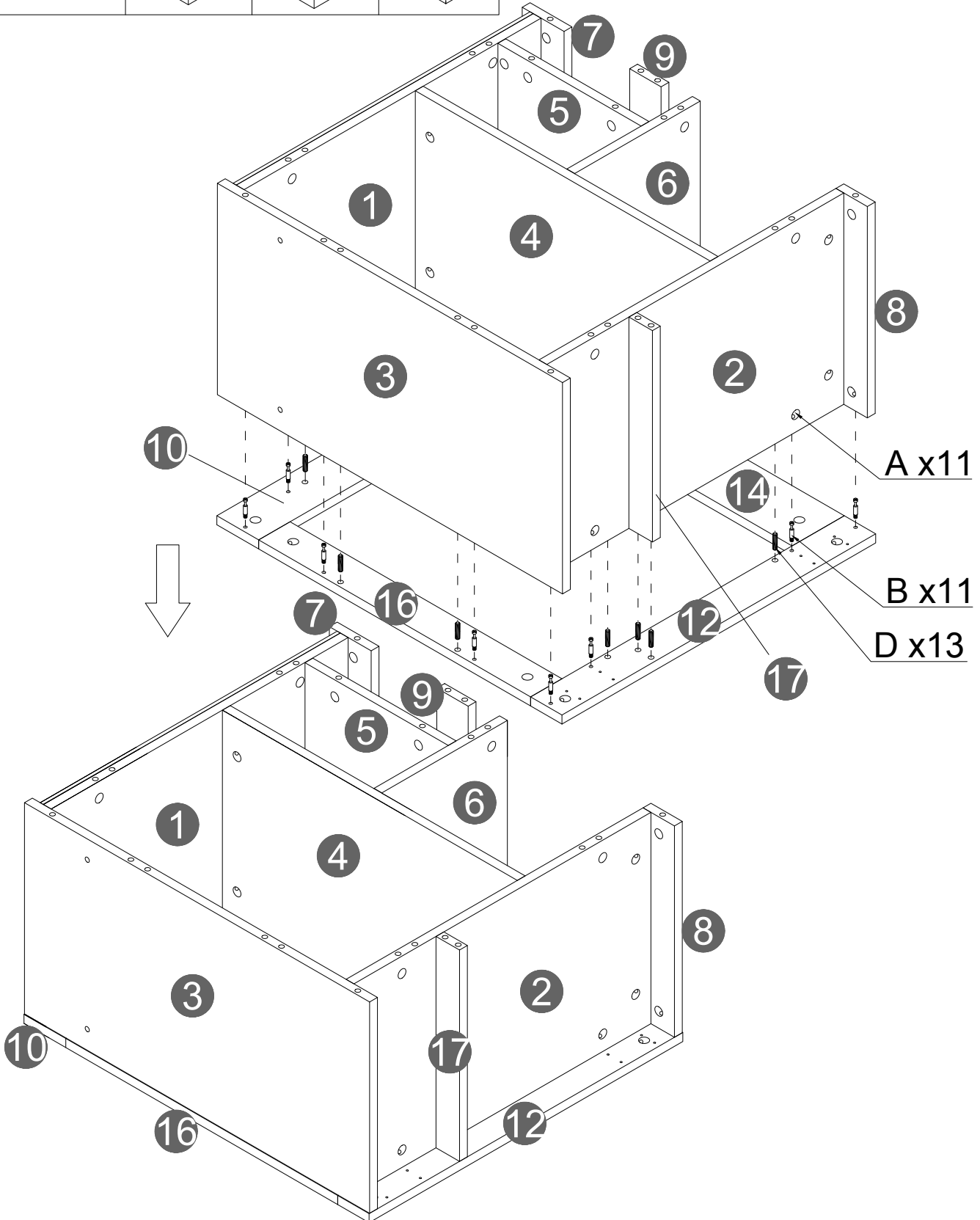
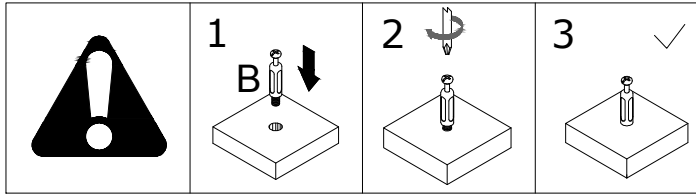


A x4
B x4
D x4



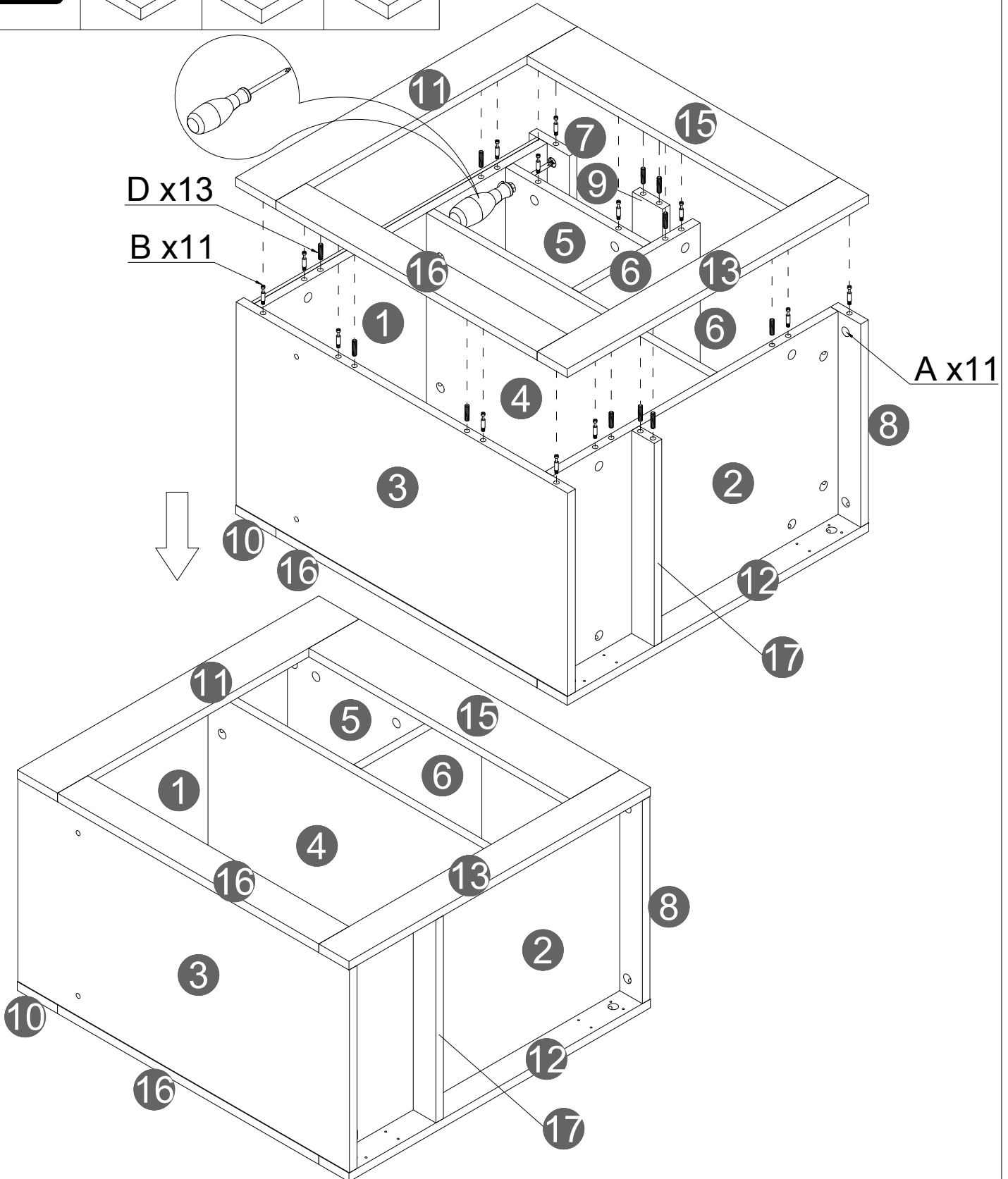
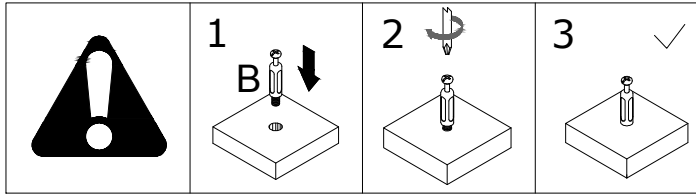


A	13 PCS	B	13 PCS	D	11 PCS
Ø15 x 12 mm		Ø7 x 35 mm		Ø8 x 30 mm	

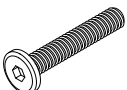

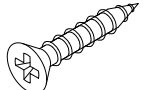

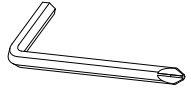


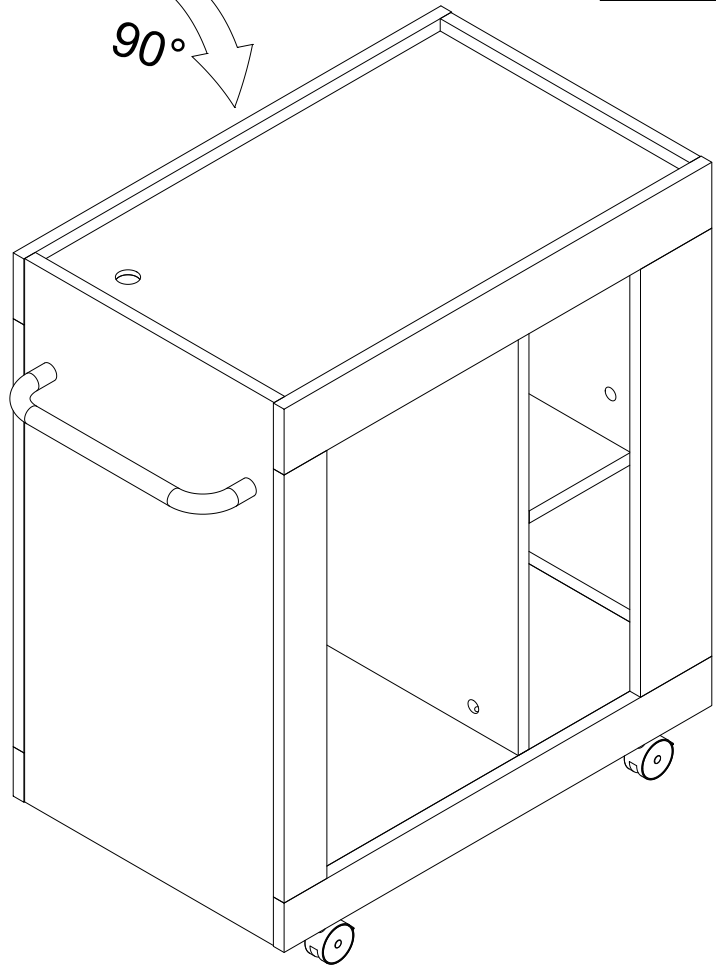
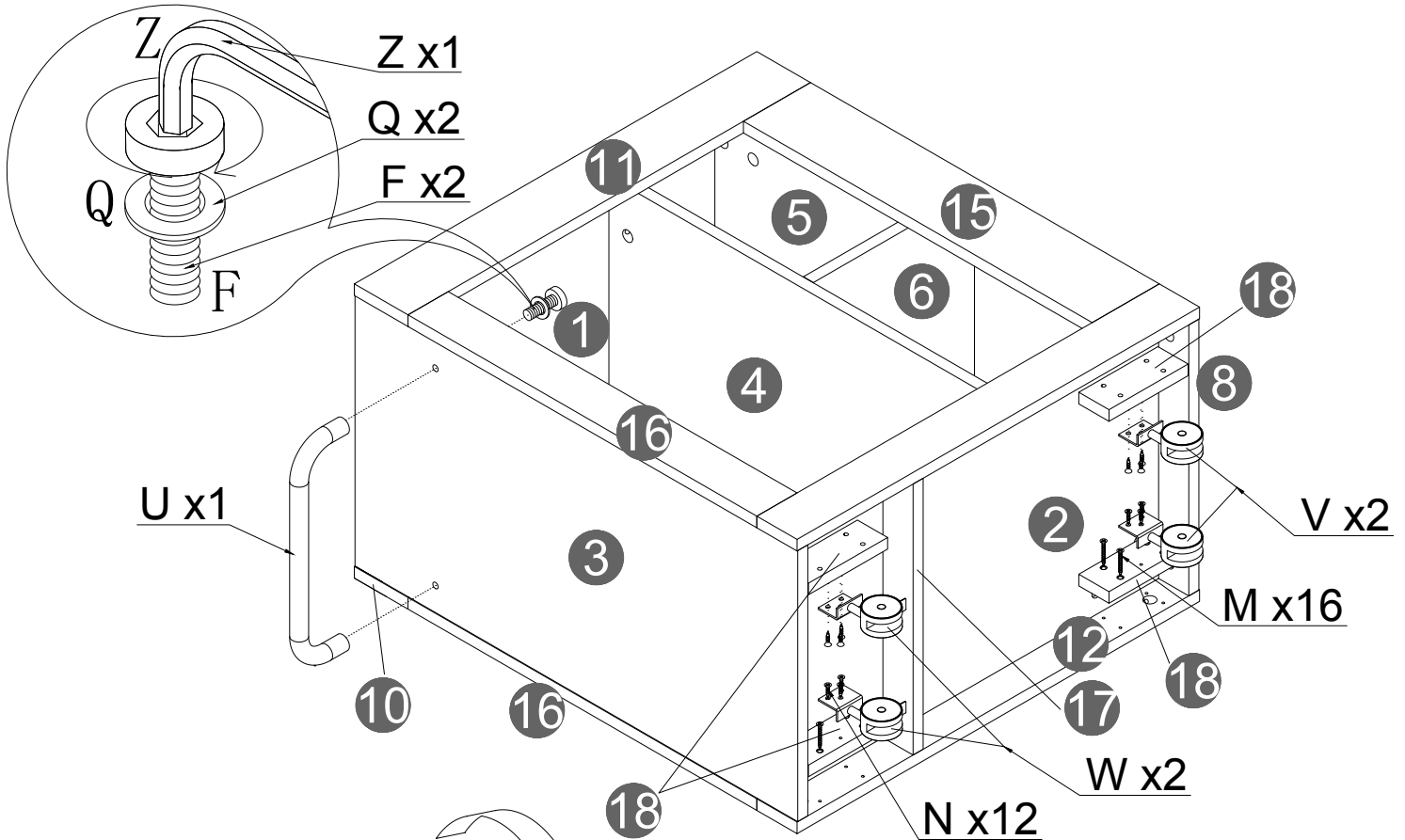


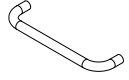
A	13 PCS	B	13 PCS	D	11 PCS
Ø15 x 12 mm		Ø7 x 35 mm		Ø8 x 30 mm	

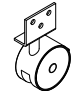




F	2 PCS	M	16 PCS	N	12 PCS	Q	2 PCS	Z	1 PC
									
M6 x 30		Ø3.5 x 25		Ø4 x 16		Ø6 -15 mm		4mm	



U	1 PCS
	
300x 70x20mm	

V	2 PCS
Without brakes	
	

W	2 PCS
Equipped with brakes	
