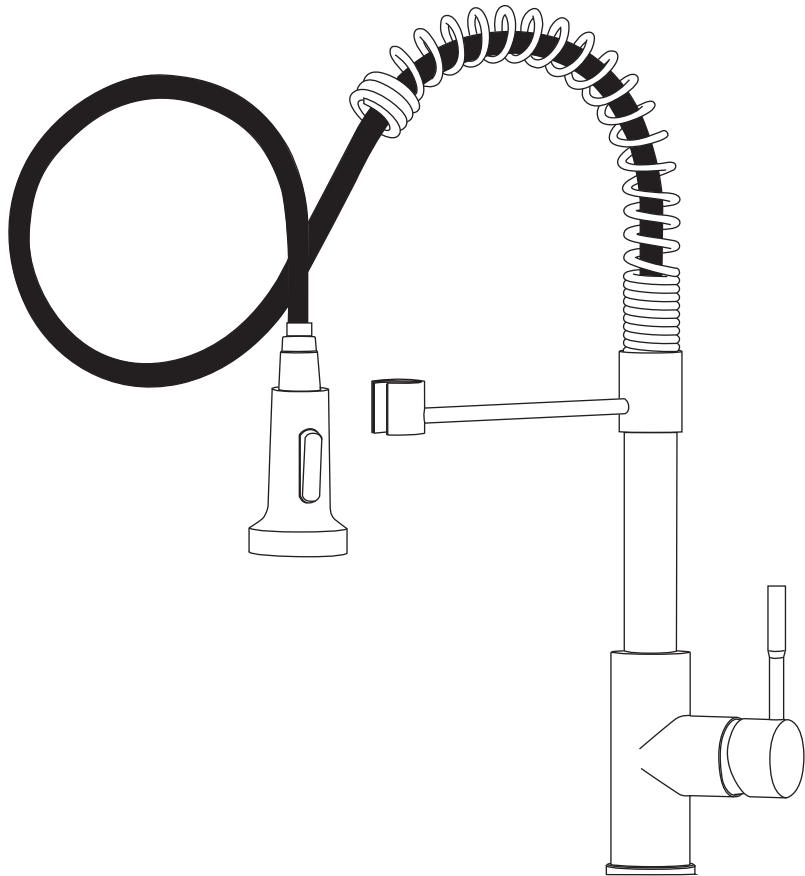


PRODUCT INSTRUCTION



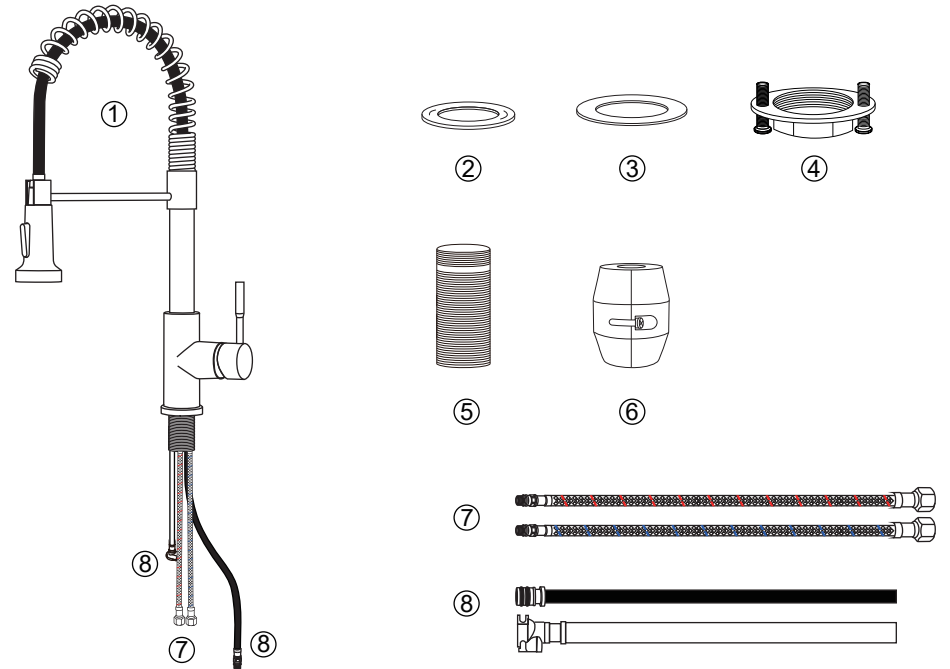
CARE INSTRUCTIONS

Dry the product with a soft cloth.
Rinse the product with clear water.

DO NOT:

Use abrasive cleansers, cloths, or paper towels. Use any cleaning agents containing acid, polish, wax, alcohol, ammonia, bleach, solvent or any other corrosive or harsh chemical cleansers.

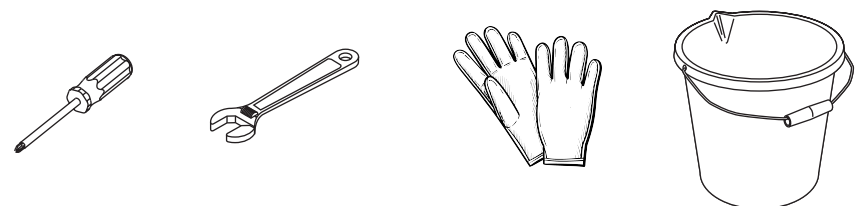
PRODUCT ACCESSORIES



- | | | |
|---------------------------|-----------------|----------------|
| ① Kitchen Faucet | ② Rubber Gasket | ③ Metal Gasket |
| ④ Screw Cap | ⑤ Nut | ⑥ Gravity Ball |
| ⑦ Cold and Hot Water Hose | ⑧ Pull-out Tube | |

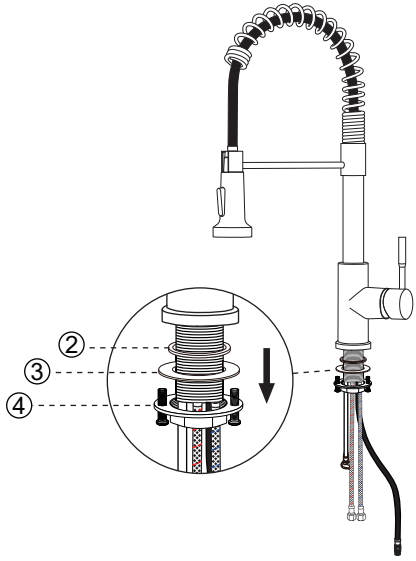
PRE-INSTALLATION

Gloves, screwdriver, adjustable wrench and bucket are needed before installation.

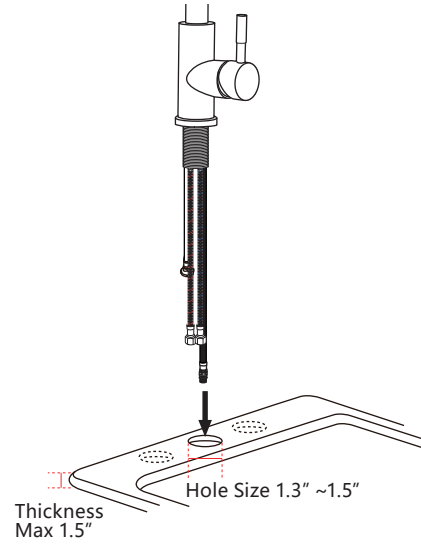


ASSEMBLE THE FAUCET

1. Remove rubber gasket(②), metal gasket(③) and screw cap(④) from bottom of kitchen faucet.

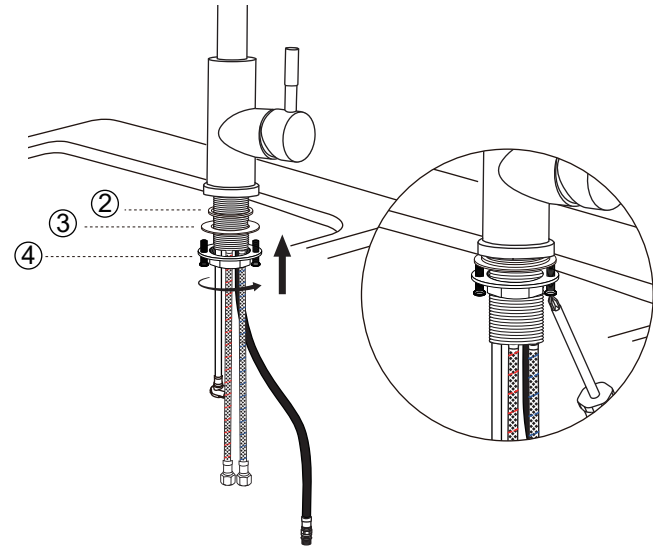


2. Insert the faucet through the mounting surface with the handle on the right.



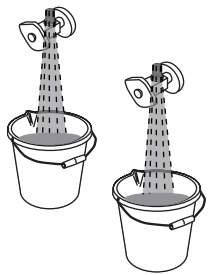
ASSEMBLE THE FAUCET

3. Fit the rubber gasket(②), metal gasket(③), screw cap(④) on the nut in order, and rotate to the top, then tighten screw with screwdriver to immobilize it.

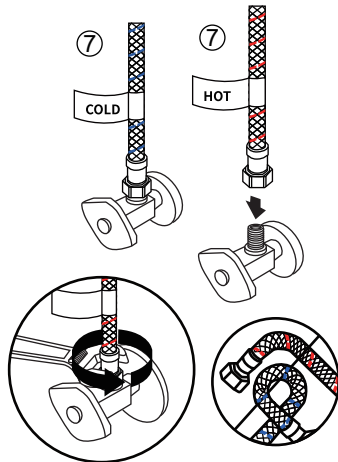


CONNECT THE HOSES

1. Turn on the water valve to flush the stains in the water valve within **45-60** seconds.

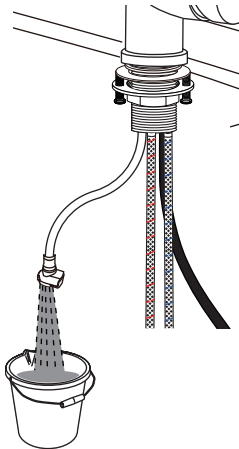


2. Connect the hot and cold hoses(⑦) to the water supply valves.



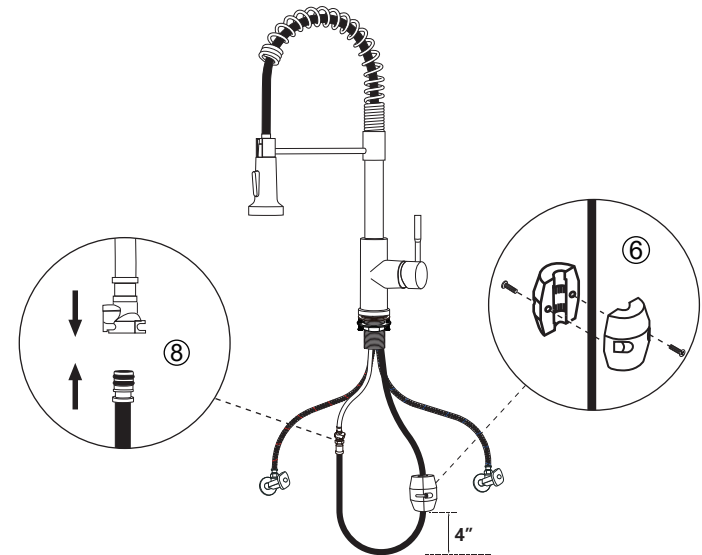
Using an adjustable wrench, do not overtighten.

3. Turn on the faucet handle and water supply valves, and the water flows slowly from the mixing hose to check for any leaks.



CONNECT THE HOSES

4. Connect the pull-out tube(⑧) and install the gravity ball(⑥).



⚠ Note: Recommended mounting height is 4 inches from the bottom of the pull-down hose.