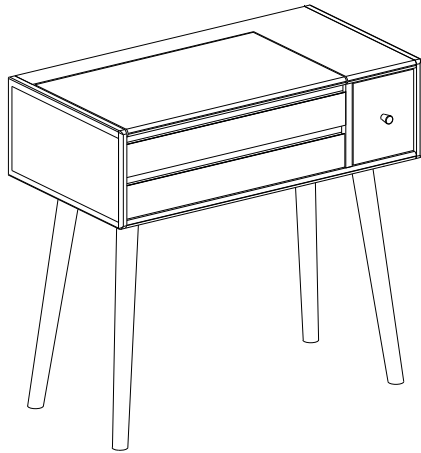


# installation diagram

Product Number	
Specification Name:	Dresser 006 with light 800CM

Note: Parts table and hardware table in the (installed) That the finished product has been installed, not in the hardware package!!!!



## Parts list

No.	name	Diagram	Specification	Quantity
1	Cabinet (installed)		800*440*236MM	1
2	Legs		552*160*75MM	4
3	Right drawer (installed)		159*318*175MM	1
4	Lower left drawer (installed)		579*318*88MM	1
5	Inner Partition (Installed)		385*330*60MM	1
6	Flap (Installed)		600*366*18MM	1

## Hardware List

No	Name	Illustration	Specification	Quantity
A	Hexagon socket head screw		M8*25MM	8
B	Flat shims		M8*16MM	8
C	Hexagon socket wrench		M5*57MM	1
D	Tapered handle (installed)		∅20MM*22MM	1
E	Handle screw (installed)		M4*38MM	1
F	Non-woven pad (installed)		∅30*3MM	4
G	Lightweight Adjustable Cushion Hinge (installed)			2
H	Nail Free Stickers			2

This product by the wood inspection, paint inspection in full compliance with national quality inspection standards, qualified to give the factory, to confirm that the packaging is intact for sale

Execution Standard.

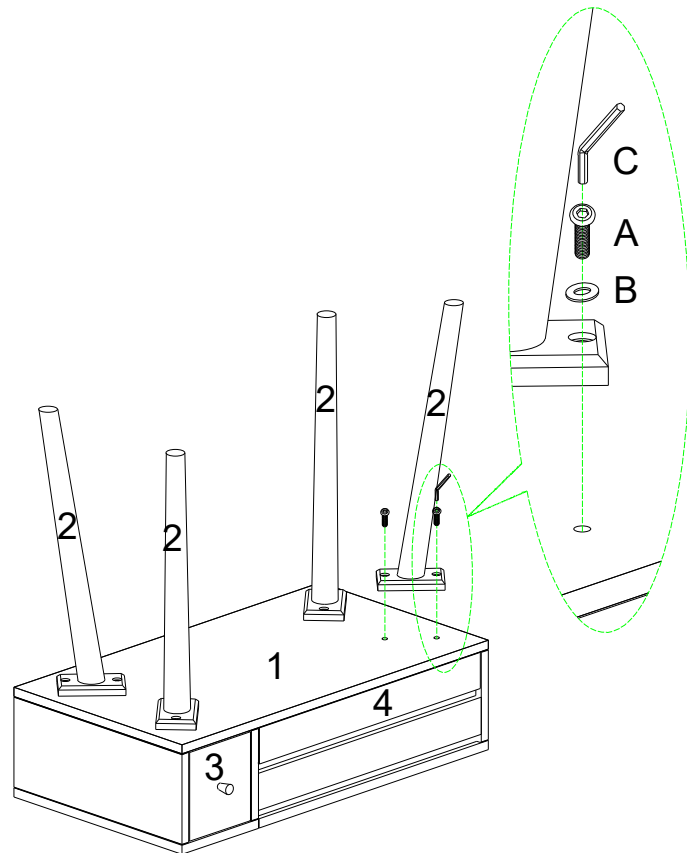
GB/T 3324  
GB/ 18584



Quality Inspector

QC 02

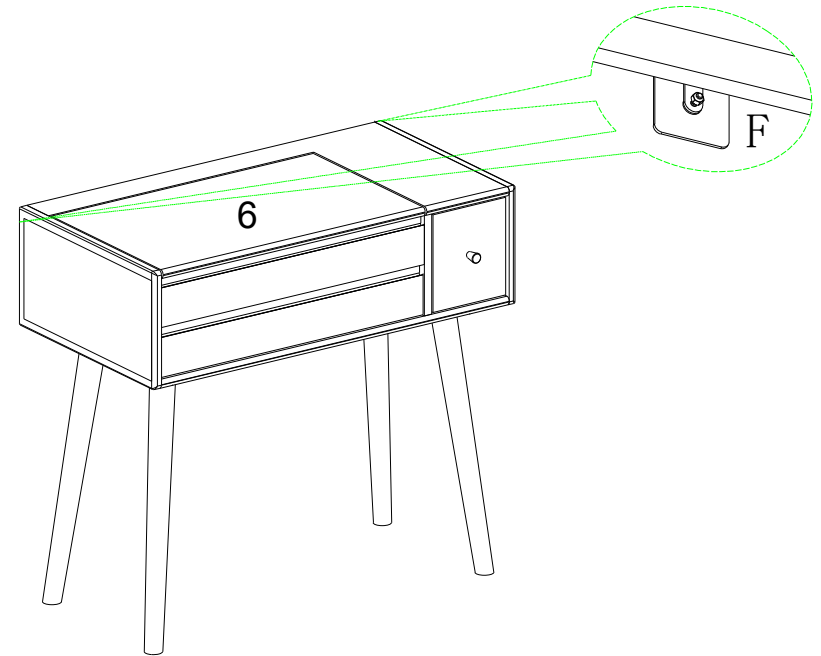
step1:



Note: After unpacking, please check the number of assembled parts against the instruction manual to see if they are correct, and then assemble them as shown in the picture.

Align the holes of the No.2 foot post with the inner and outer teeth holes on the cabinet, and then fix it with hardware A,C.

step2:



Note: Assembly is complete.