

Notice

All the pillow stuffing is cut sponge, which is required by the production technology process. We guarantee that the raw materials used are brand new, safe, in accordance with laws and regulations, and have no impact on product quality and safety.

WARRANTY

We strive to offer high-quality product and we also try our best to satisfy each customer that orders from us with product or service as needed.

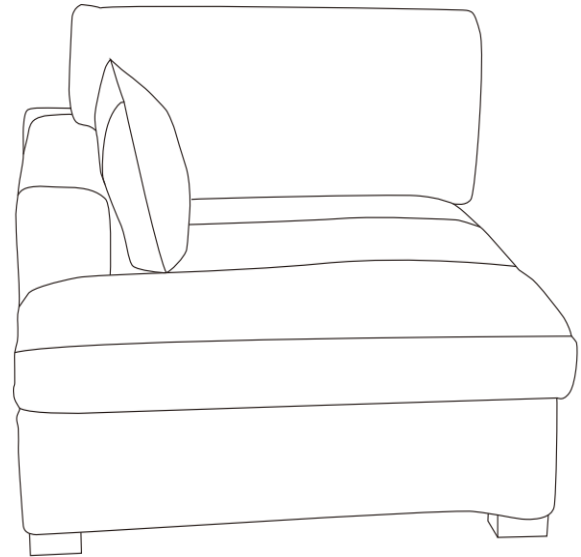
Each customer a record of their order such as the order number, or item receipt for any items that are out of the warranty period you may also still receive replacement parts by purchasing them with our company if they are available.

**Are you having difficulty
with assembly? Missing parts?**

**For return, please check the return policy with
the retailer or market place you bought from.**

Appreciate your purchasing from us.

Pop up your life by our furniture !



NOTE:

This brochure contains IMPORTANT safety info. Please read and keep for future reference.

MAINTAINANCE AND WARNING

- Keep furniture away from heat and fire.
- Keep furniture away from sharp objects.
- Do not clean furniture with harsh cleansers or polish. Do not use detergents, Solvents, abrasives, spray packs or leather cleaner. Use non-color mild soap with warm water clean spills(Mix 1:10 soap to water)
- Do not place furniture under direct sunlight, material will possibly fade over time.
- Do not jump or strike on the furniture.
- Do not write on furniture without a padded barrier to protect the surface.
- Not for commercial use, For residential use only.



Weight Limitation

400LBS

PARTS LIST

A*1



Seat cushion packed
in compression bag x1

B*1



Back cushion packed
in compression bag x1

C*1



Back bag

D*1



Armrest cushion

E*1



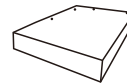
Armrest frame

F*1



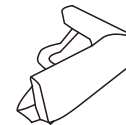
Backrest frame

G*1



Sofa frame

H*1



Sofa cover

I*1



Headrest

HARDWARE and TOOL LIST

J*4



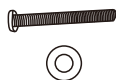
Sofa foot

K*1



Screw handle

L*6



Screw&shim

M*2



Pin inner hole

N*2



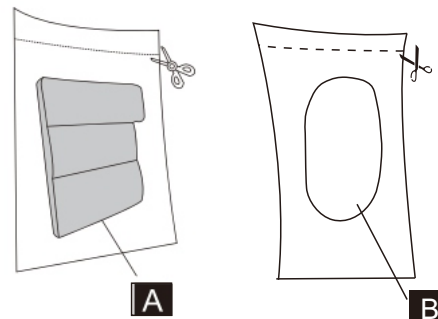
Pin hole cover

O*1



ASSEMBLY INSTRUCTIONS

step 1

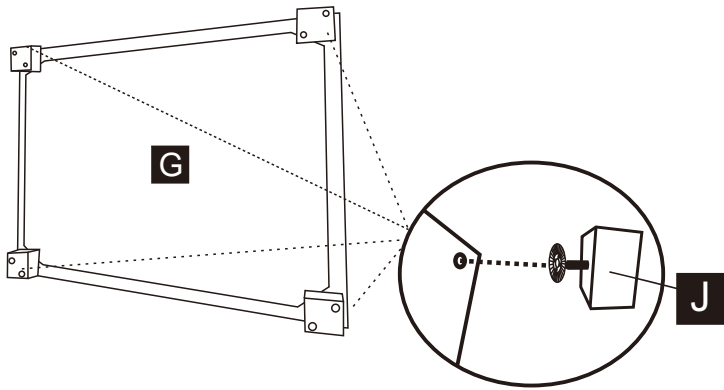
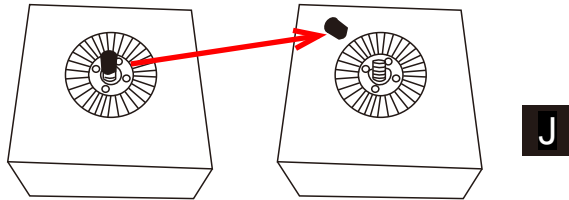


Take the cushion out of the compression bag and allow it to recover for a period of time, it takes about 24 hours for the cushion to fully recover, and you can slap the cushion to speed up the recovery.

Be sure to check all packing material fitting the packing list. Be careful for small parts, which may have come loose inside the carton during shipment.

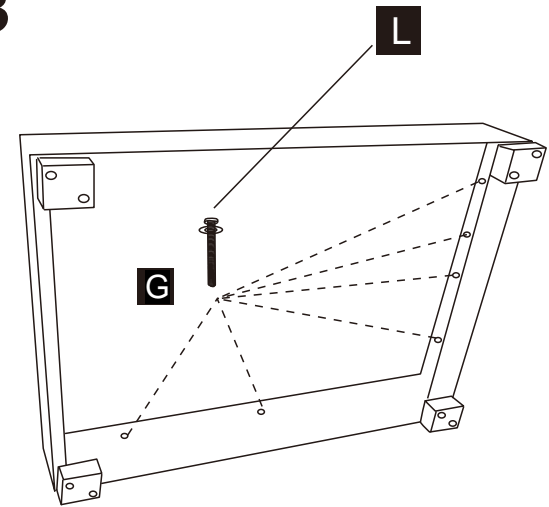
step2

Remove the plastic cover from the sofa leg screw

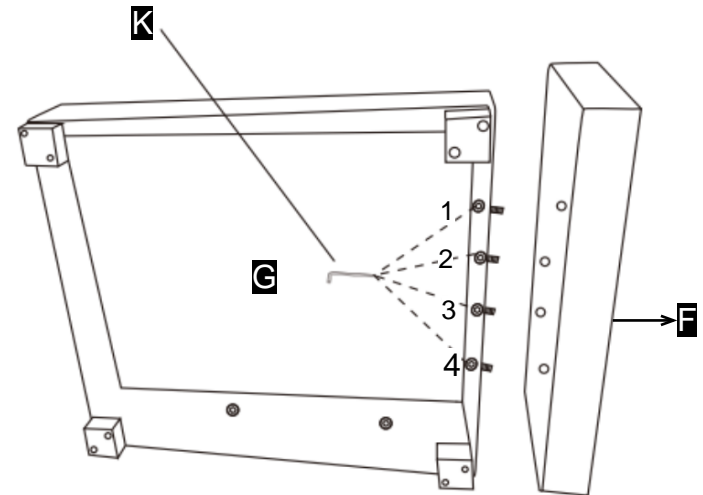


Place the bottom of the sofa frame upward on a clean plane, align the screw of the wooden foot with the screw hole reserved at the bottom of the sofa and rotate clockwise to install the wooden foot firmly.

step3

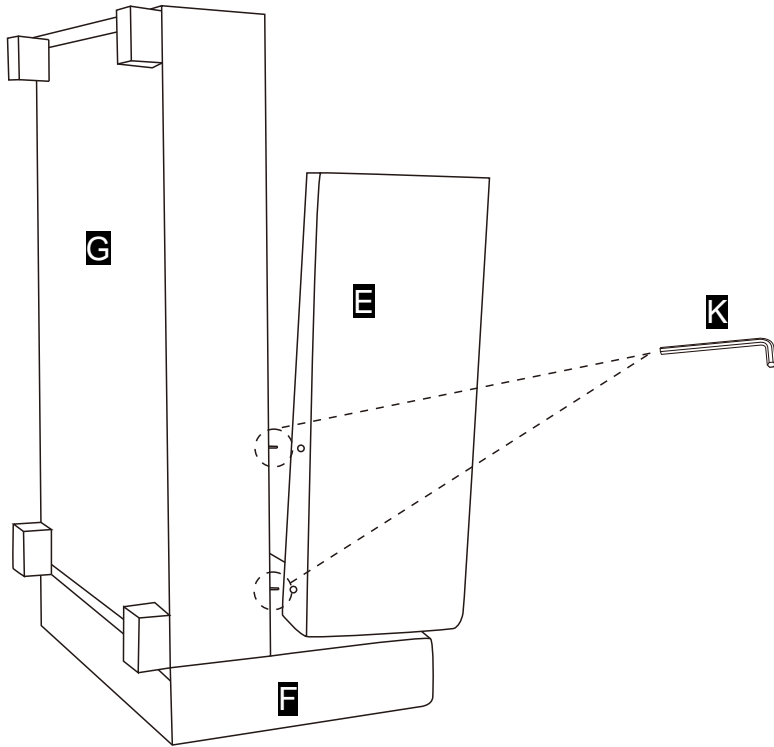


Stand the seat frame up and insert the screws into the reserved holes without tightening



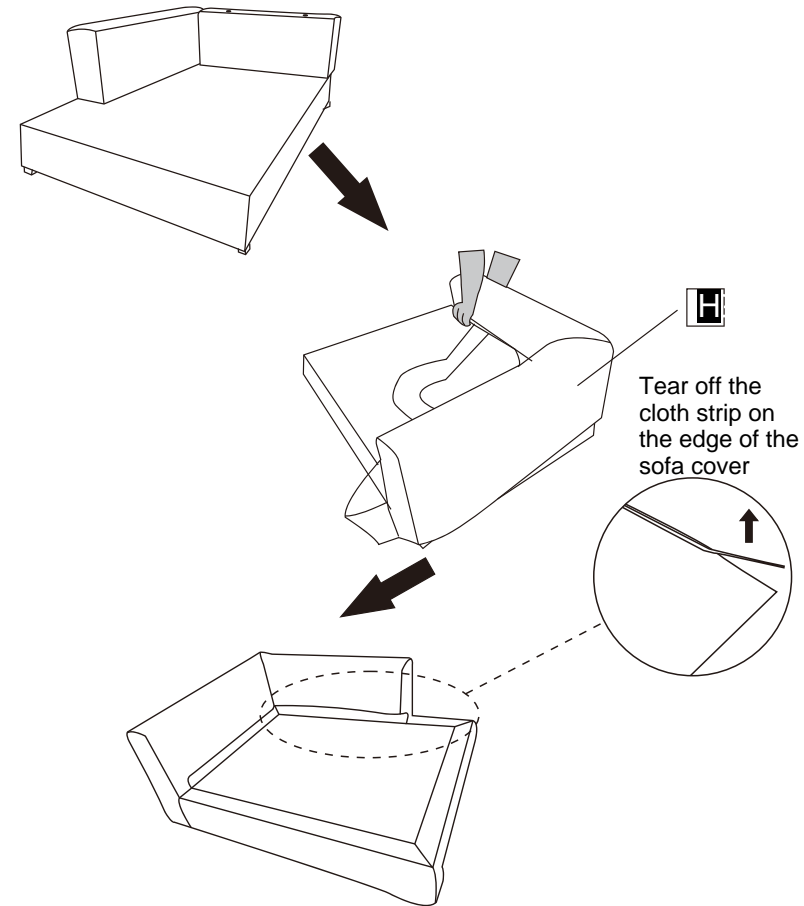
Place the backrest close to the standed seat frame, and align the four screw holes, first tighten screws 1 and 4, and then screws 2 and 3, so that the backrest and seat frame are completely fixed.

step4



Turn the seat frame with the backrest in a different direction, turn the backrest down, pick up the armrest frame and align the 2 reserved screw holes, and tighten them to completely fix.

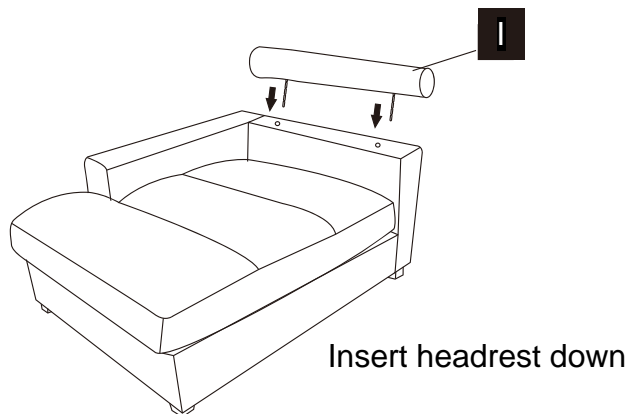
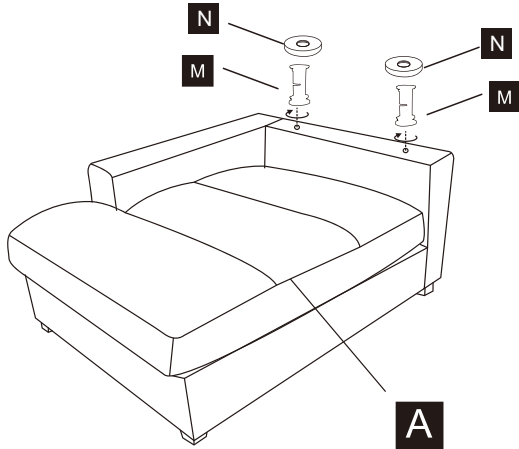
step5



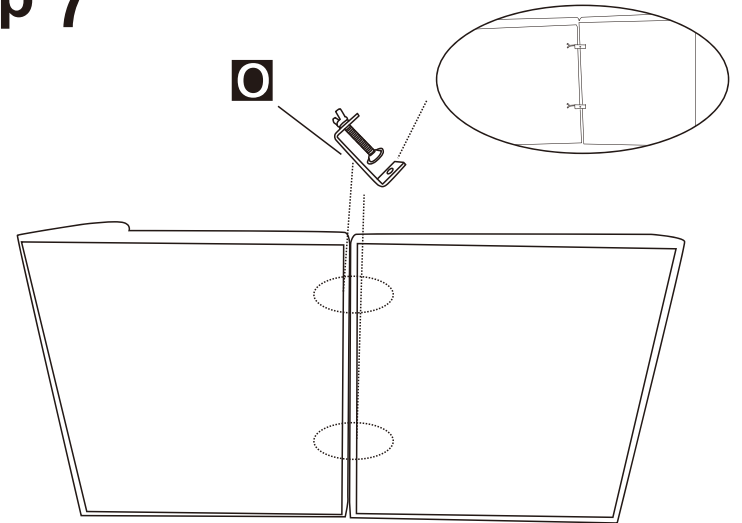
Recognize the position of the sofa cover armrest and backrest, set on the sofa frame installed in the previous step, pull every edge of the sofa cover into place, then tear off the cloth strip on the edge of the sofa cover, so that the Velcro is exposed, and paste neatly onto the sofa frame.

step 6

Insert M into backrest frame.
screw N on the top.



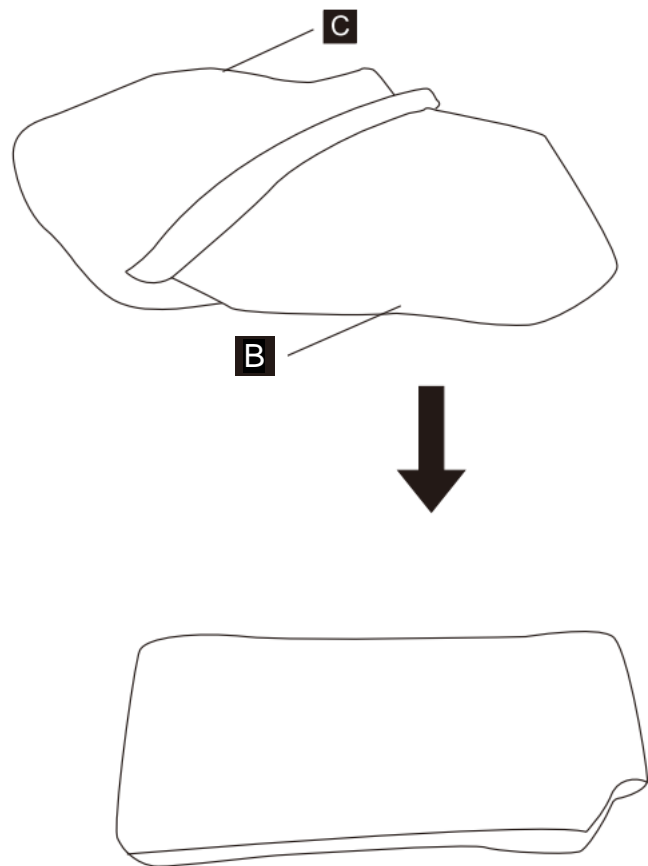
step 7



One hook in each seat spare parts bag

There is a metal hook connectors inside the carton of the left and right unilateral sofa, and if you are using a unilateral sofa, this hook is not useful. If you need to use the left and right unilateral sofa together, please place the bottom of the left and right sofa upward on a clean plane before the rod pillow at the top of the back is inserted, align the left and right unilateral sofa before and after and try to keep it close, use the metal hook in the left and right packing box, seize the combined sofa 40 cm away from the front and back of the sofa, and then tighten the screw. Turn the assembled sofa tightly together, face up, and insert the cylindrical pillow.

step 8



Unzip the back bag and put the back cushion in.

step 9

