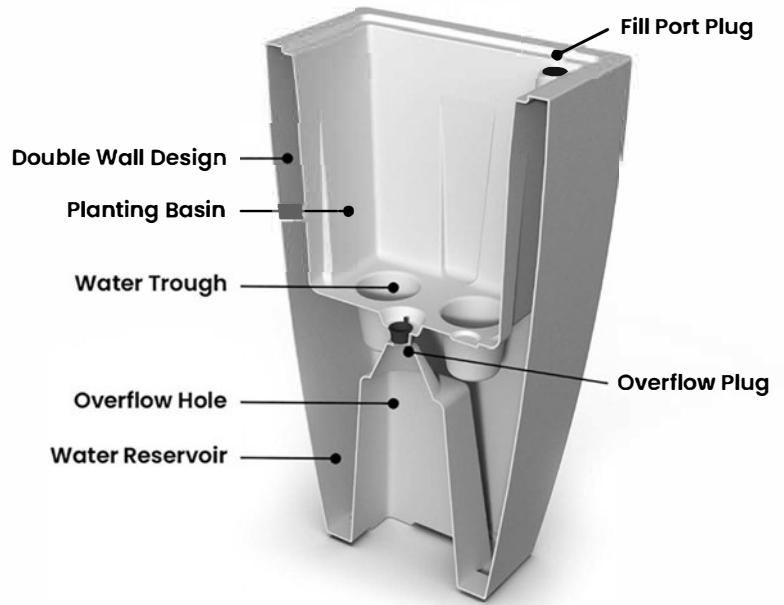
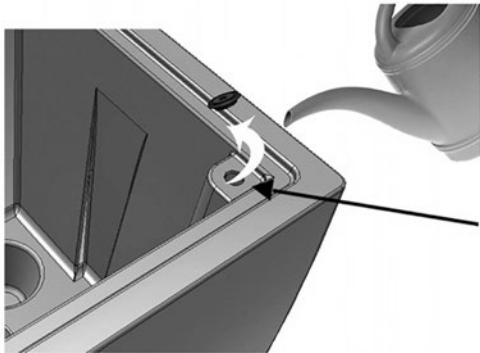


designer planter

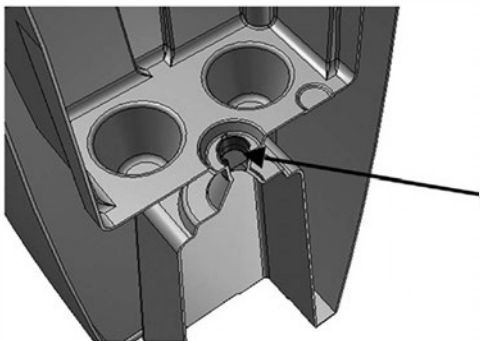


- Planter has built-in water reservoir and overflow drainage hole.
- Avoid using garden soil or top soil for container planting, it's often too dense and restricts air circulation. A potting mix is strongly recommended and will ensure better plant growth.
- Rinse clean with a garden hose; for a deeper clean, use a power washer.
- **15-year** warranty residential use, **5-year** warranty commercial use.



Remove fill port plug for direct access to the water reservoir.

Polyresin Planter
Indoor/Outdoor Use
UV Protected
Shock Resistant
All Weather Material



For indoor use, press the red plug down firmly into the overflow drainage hole to seal the planter before use.

For outdoor use, remove the red plug to allow proper overflow of excess water.

