




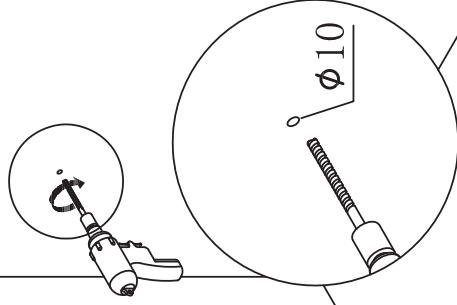
Item No. : 500410D-24-ES

Hardware

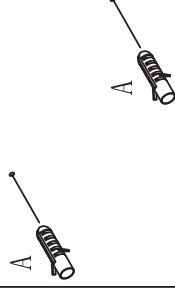
No.	Draw	Qty
A		2 PCS
B		2 PCS
C		2 PCS

Assembly Instruction

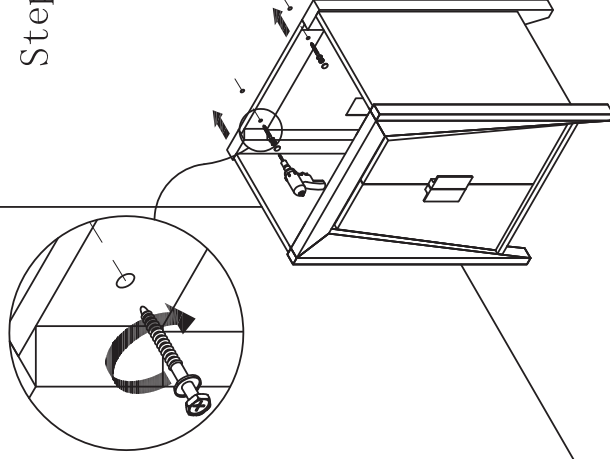
Step1



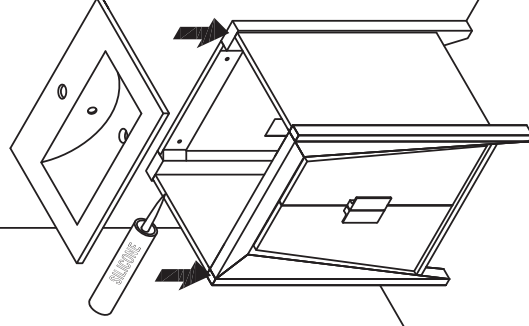
Step2



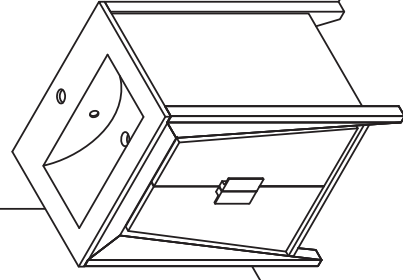
Step3



Step4



Finished



Description:

Main Cabinet

Size:

598x458x830mm

Tools:

