
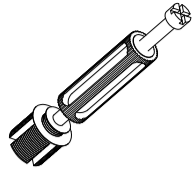
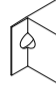
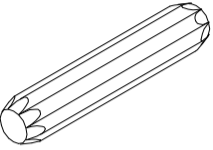
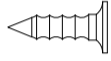



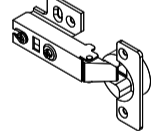
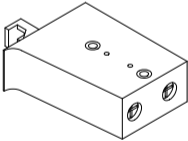
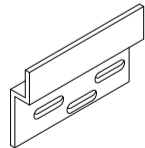


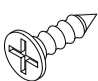
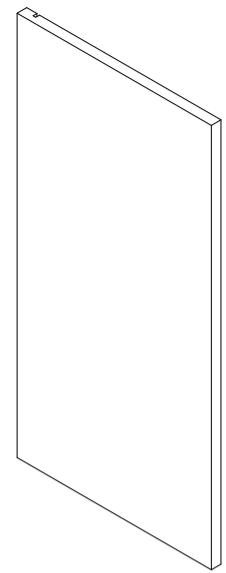


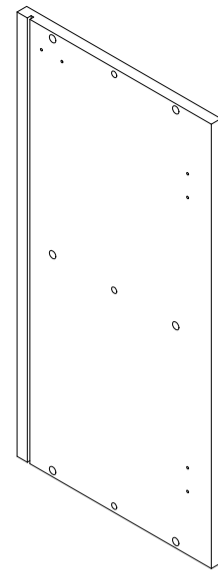
H	 2PCS	A	 12PCS
I	 8PCS	B	 6PCS
J	 8PCS	C	 12PCS
K	 4PCS	D	 4PCS
L	 4PCS	E	 2PCS
M	 2PCS	F	 4PCS
N	 4PCS	G	 24PCS

1



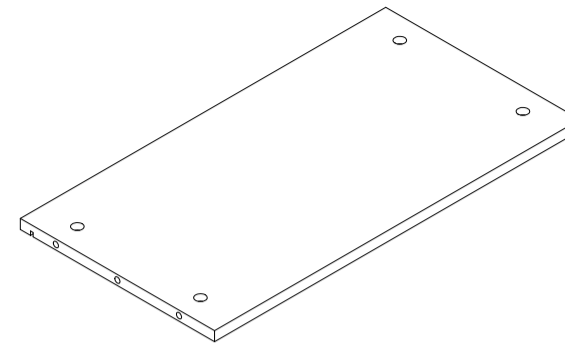
600*303 1PS

2



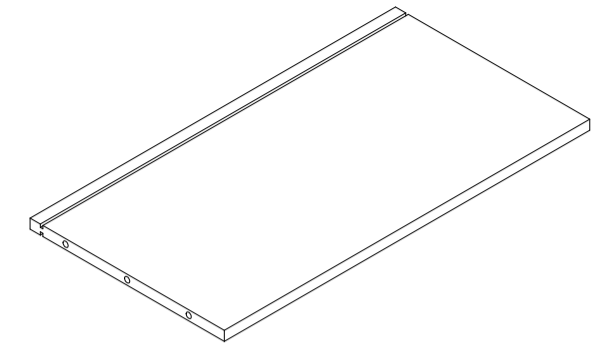
600*303 1PS

3



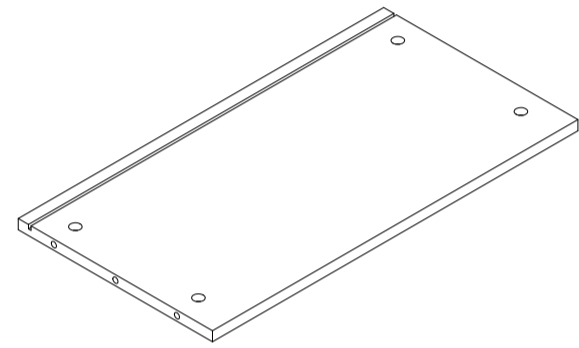
570*303 1PS

4



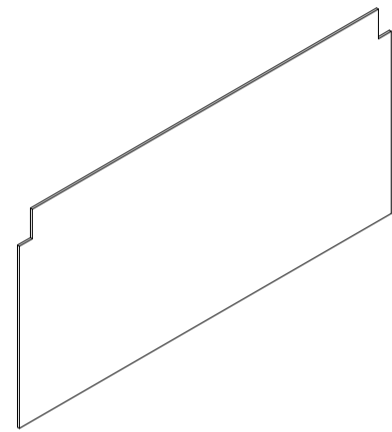
570*303 1PS

5



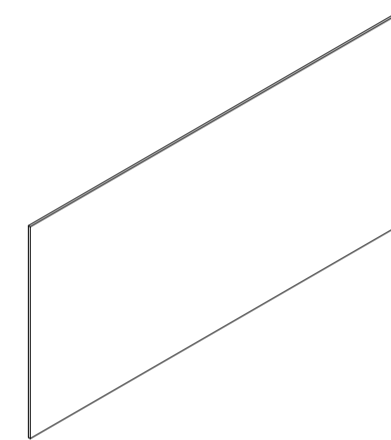
570*303 1PS

6



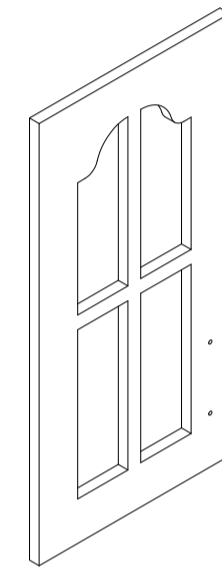
580*286 1PS

7



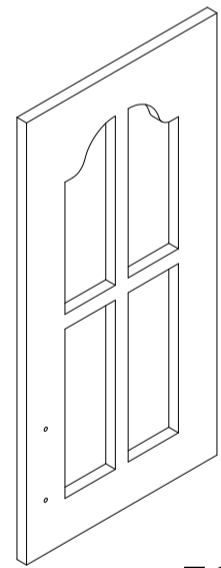
580*286 1PS

8



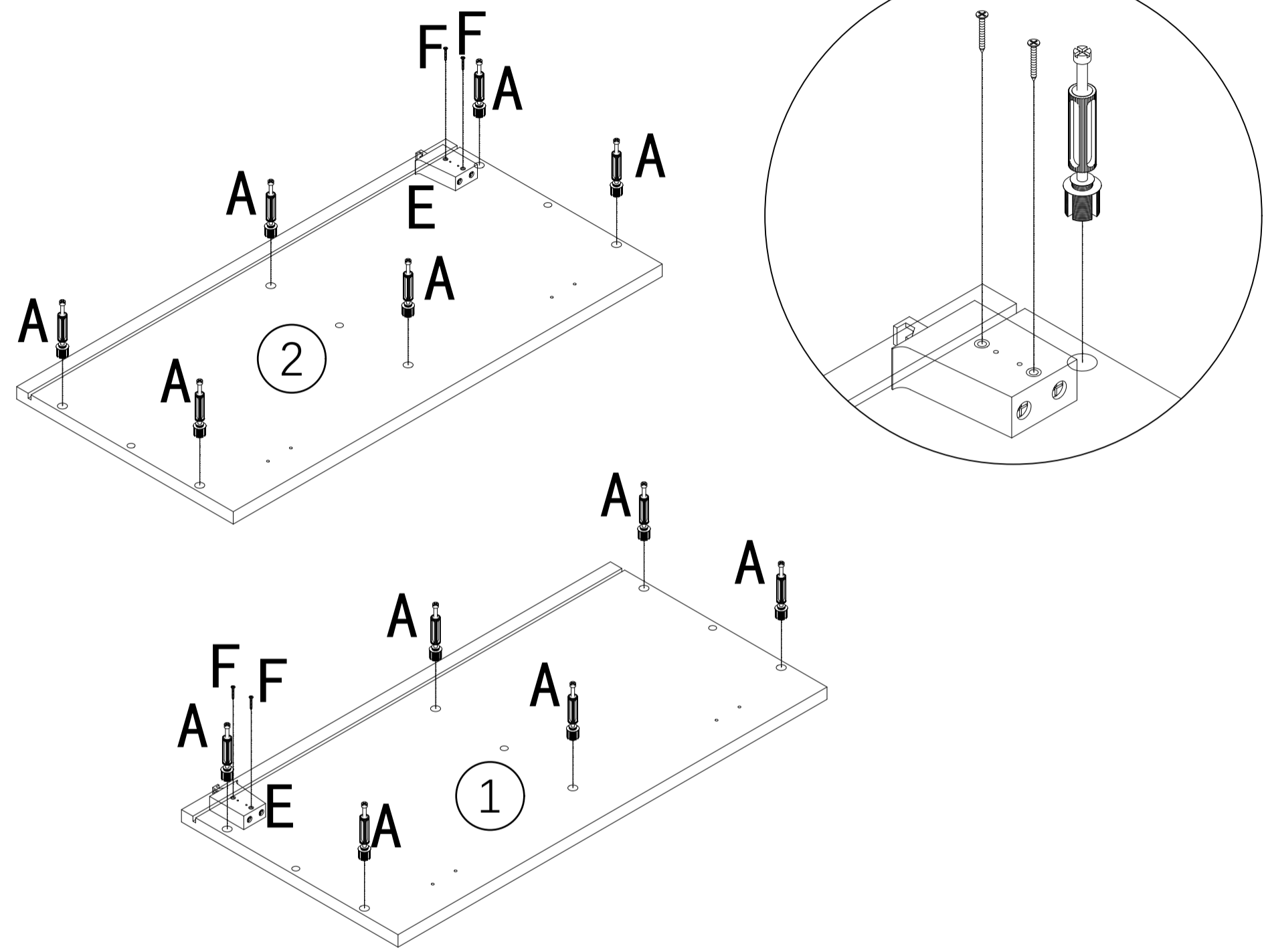
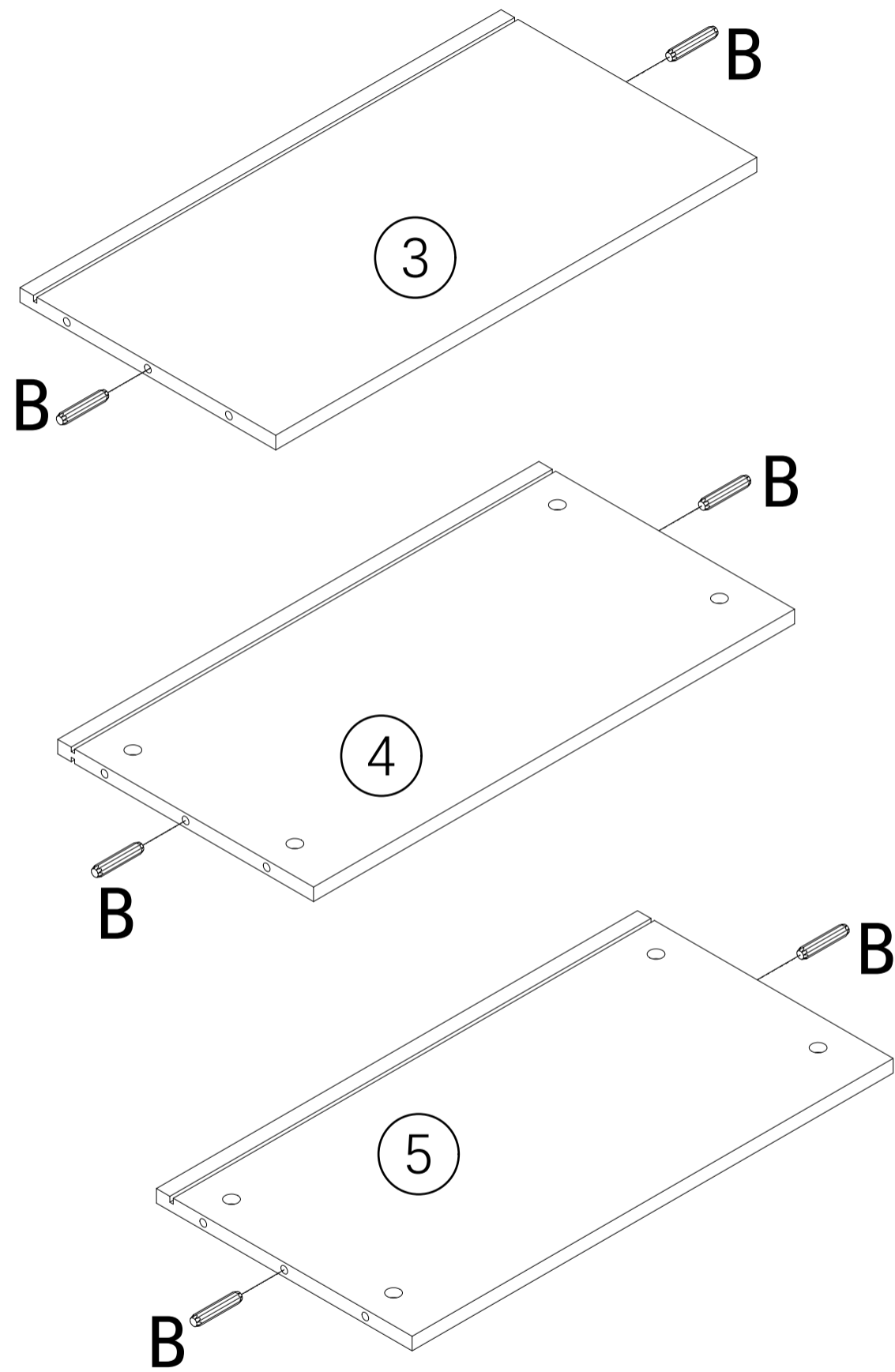
597*297 1PS

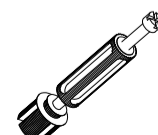
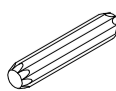
9



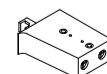

597*297 1PS

1



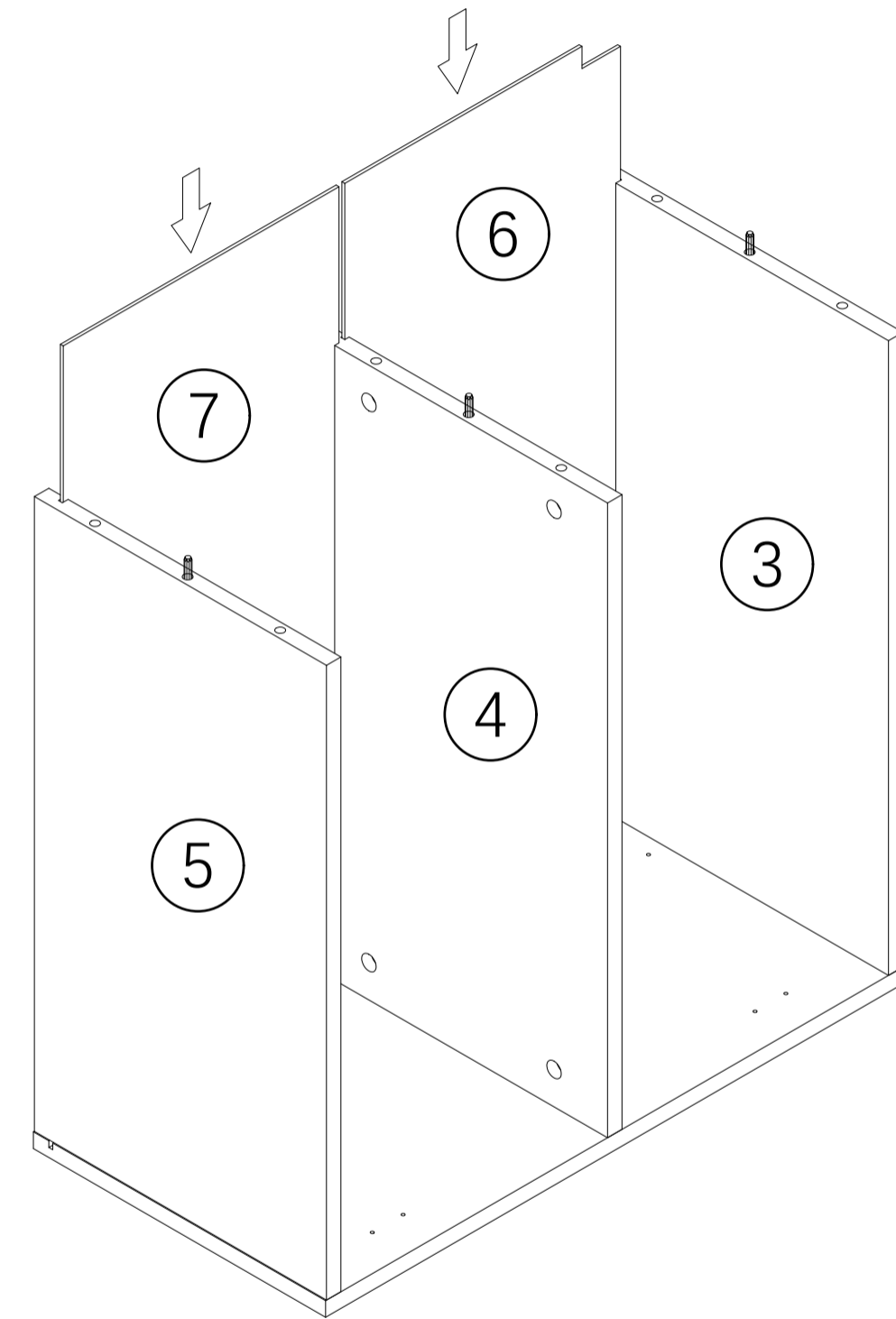
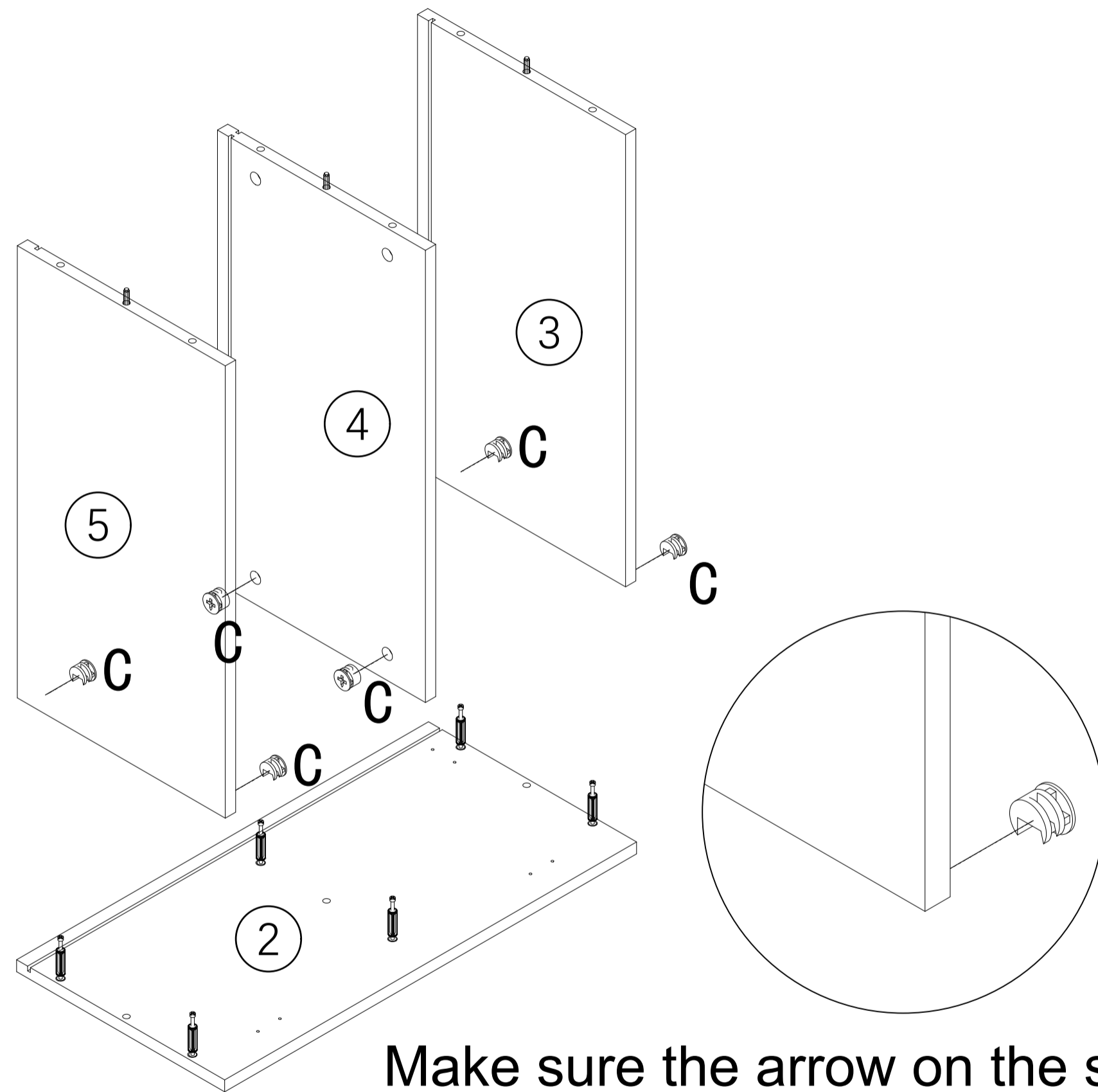
	A*12
	B*6

put A on board (1)(2)
 put B on board (3)(4)(5)

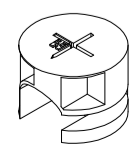
	E*2
	F*4

put E on board (1)(2)
 put F on board (1)(2)

2



Make sure the arrow on the screw align to the hole on the side.

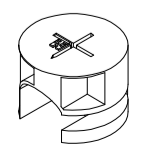
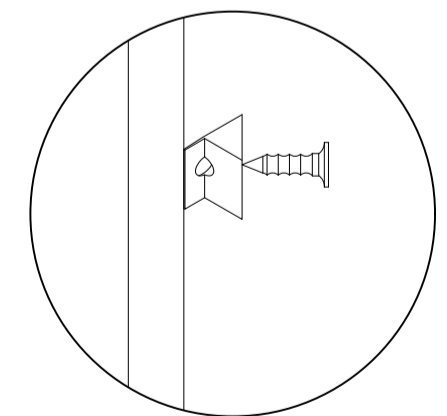
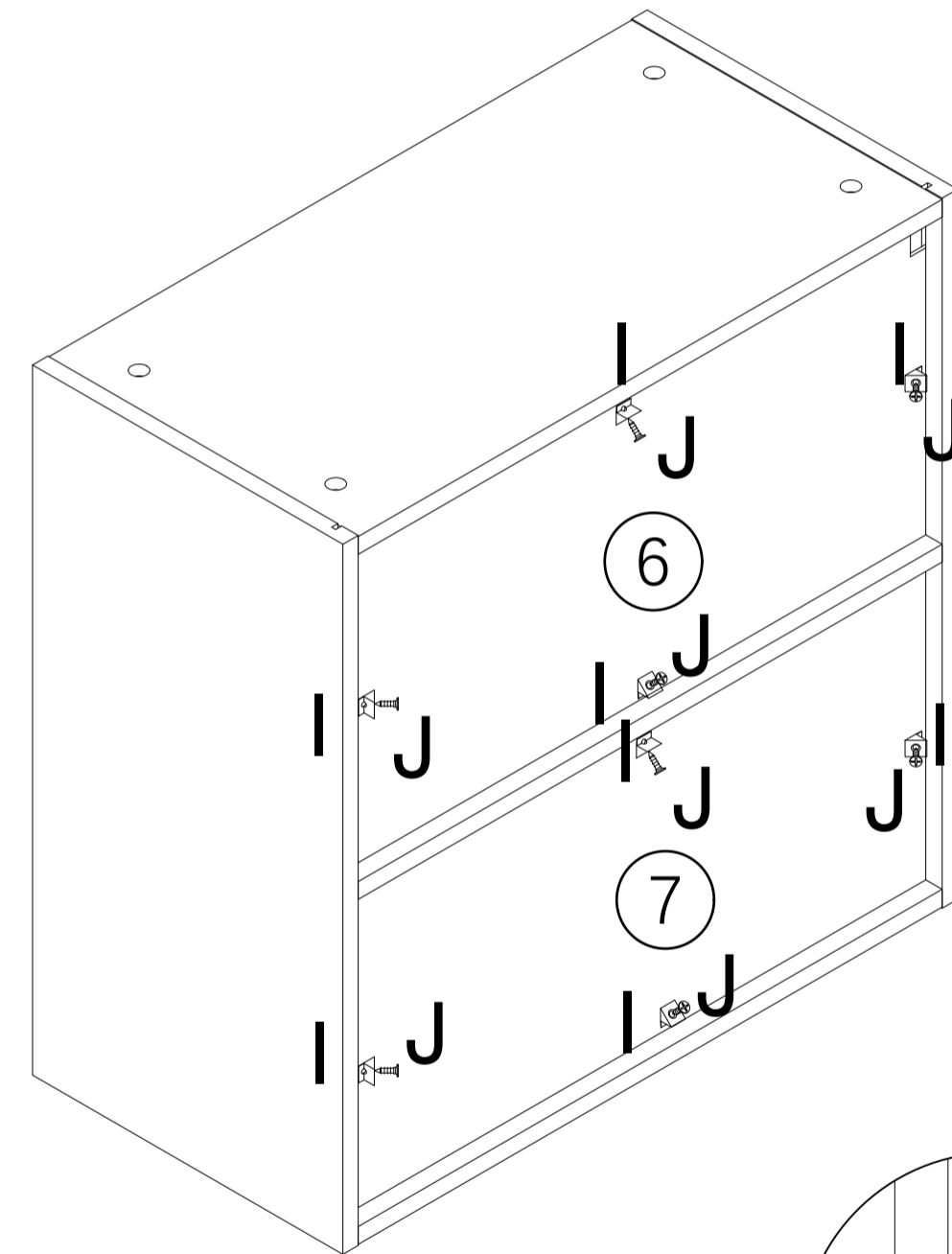
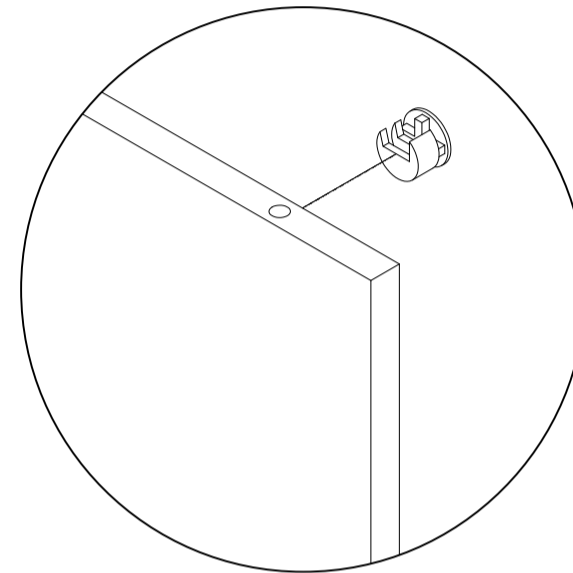
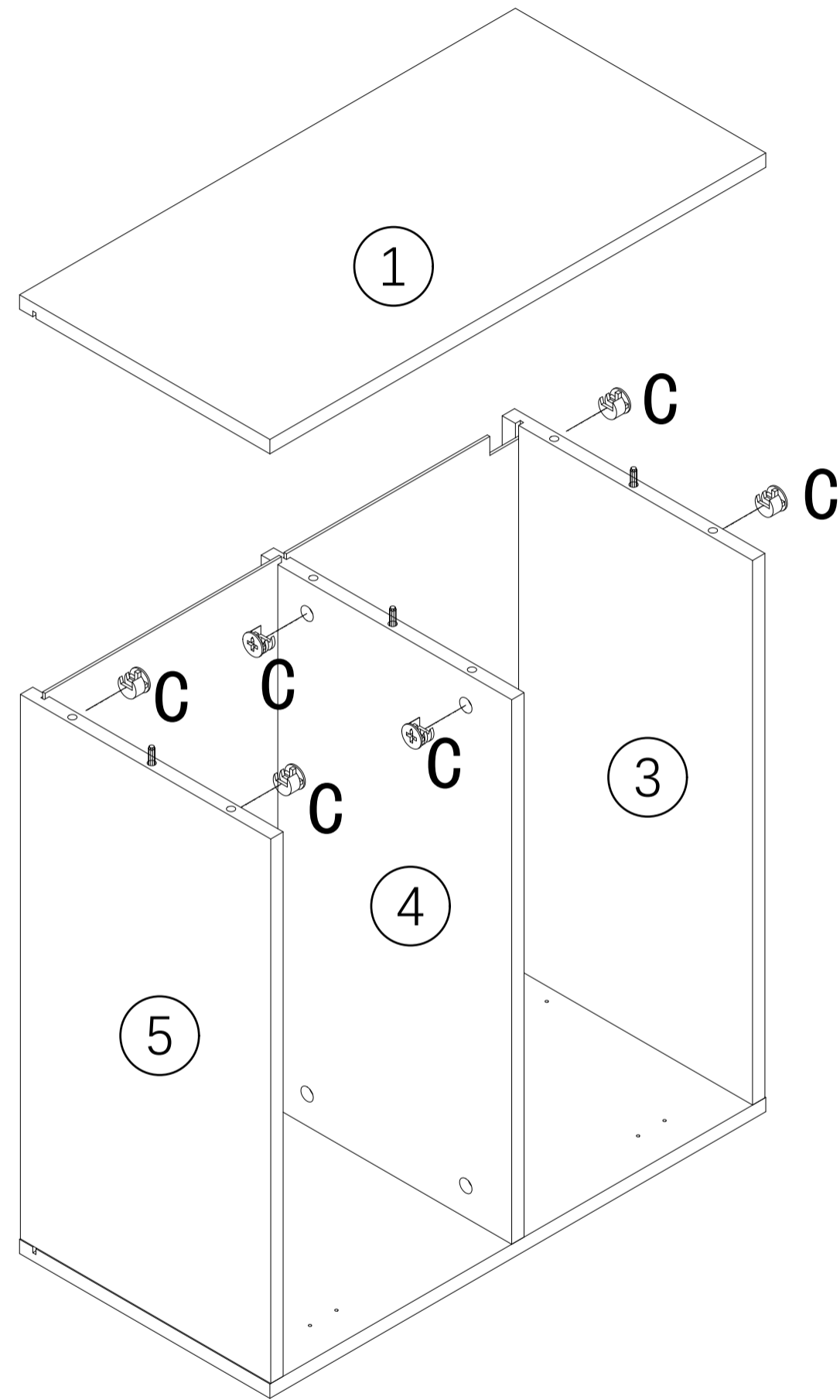


C*6

put C on board 3 4 5

3

Make sure the arrow on the screw align to the hole on the side.

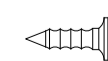


C*6

put C on board 3 4 5

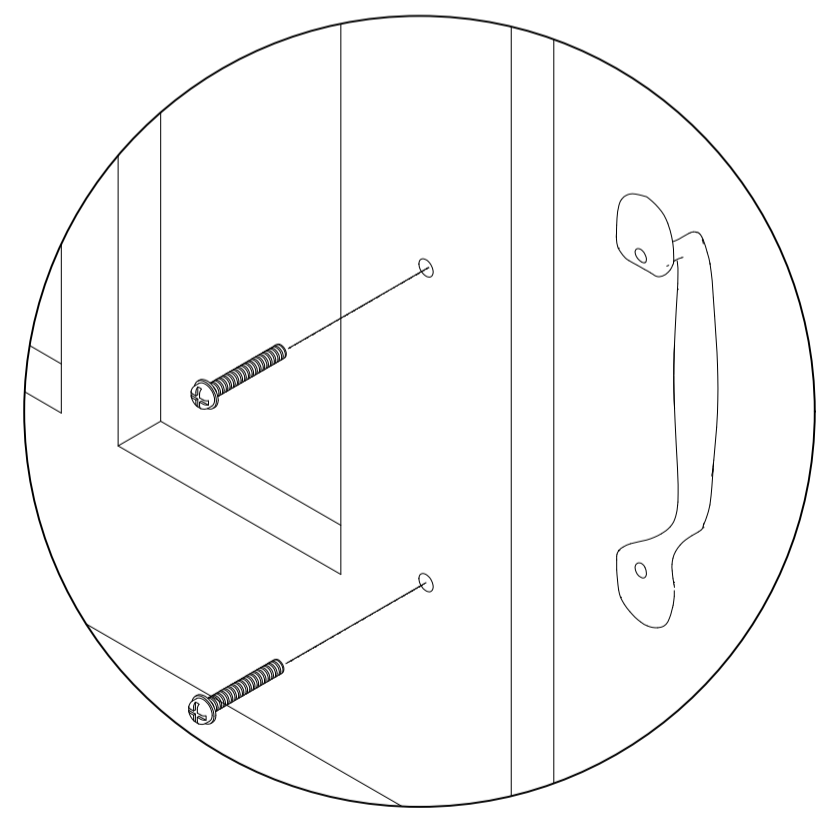
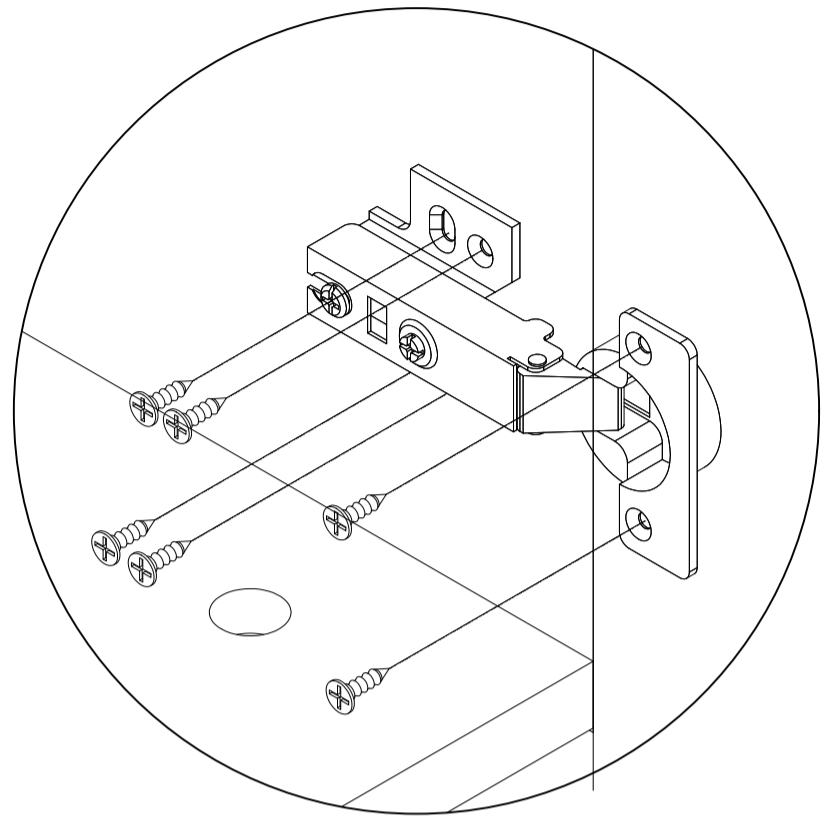
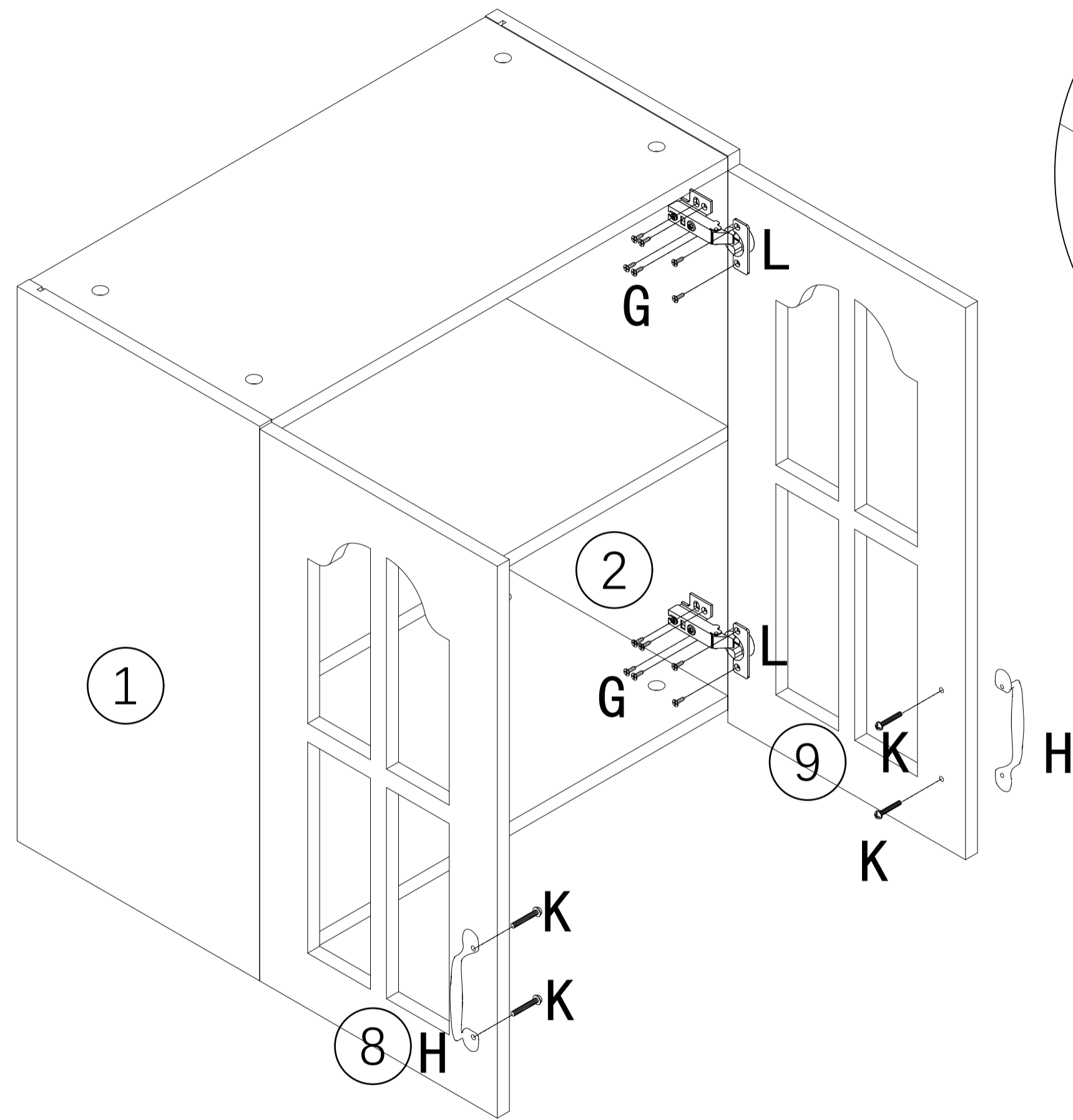


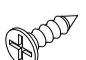


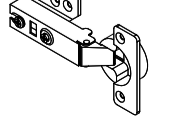
I*8



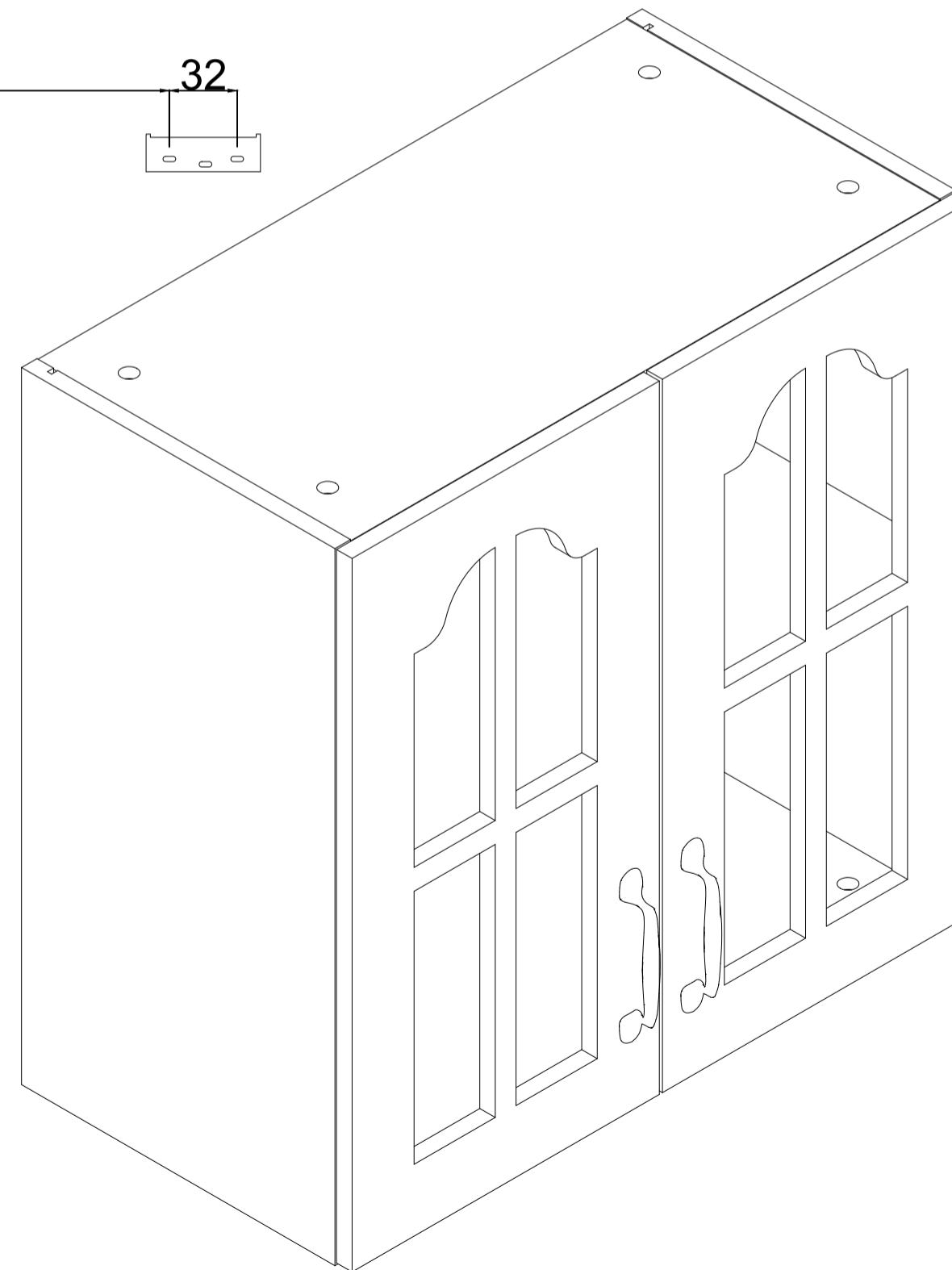
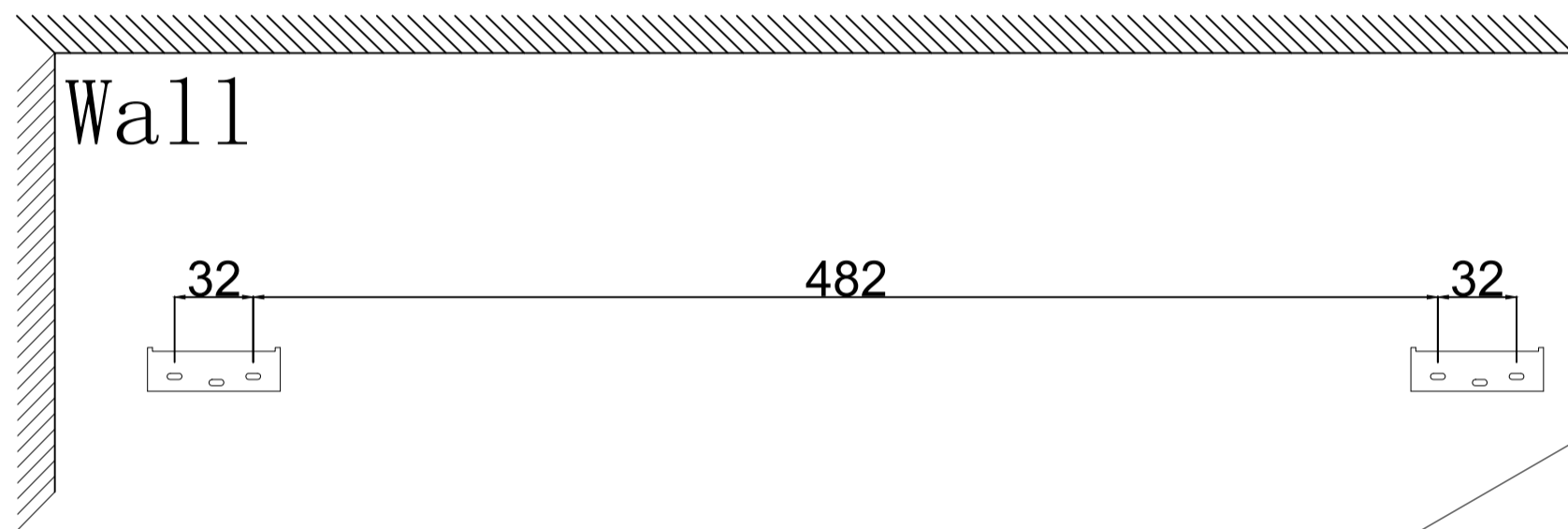
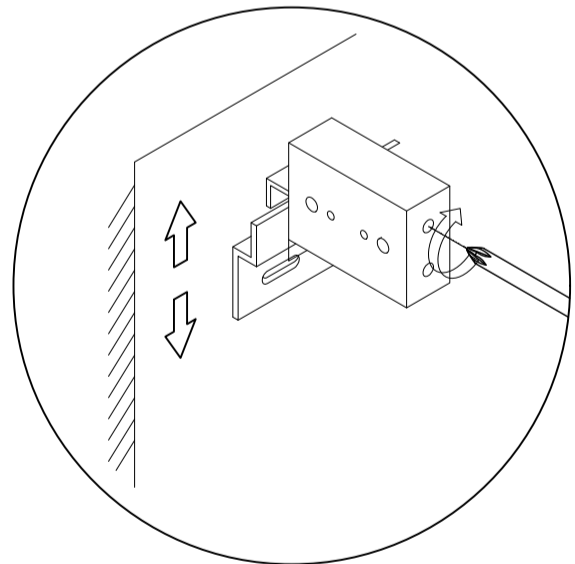
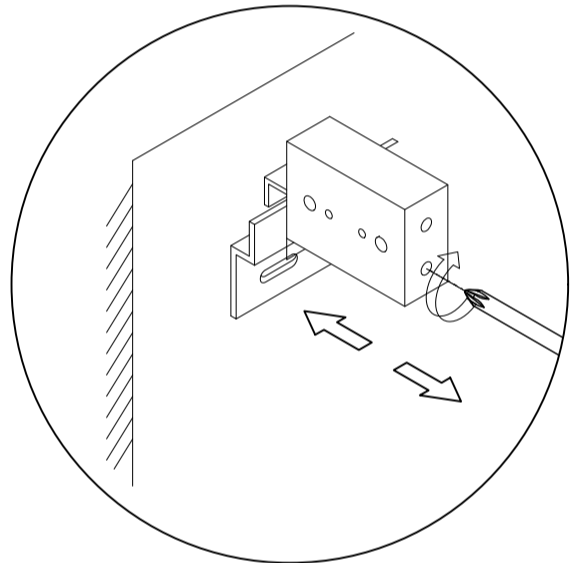
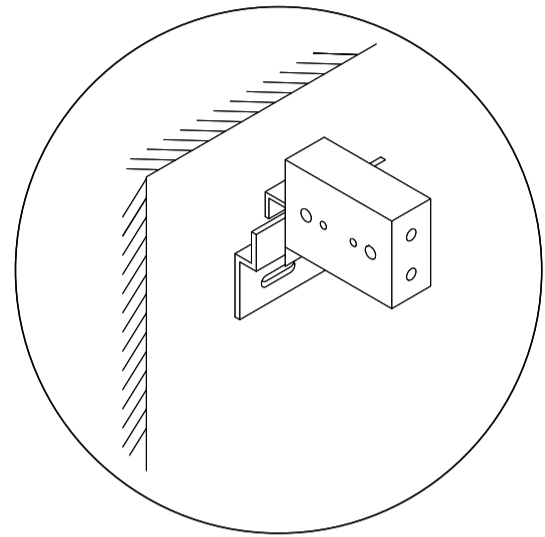
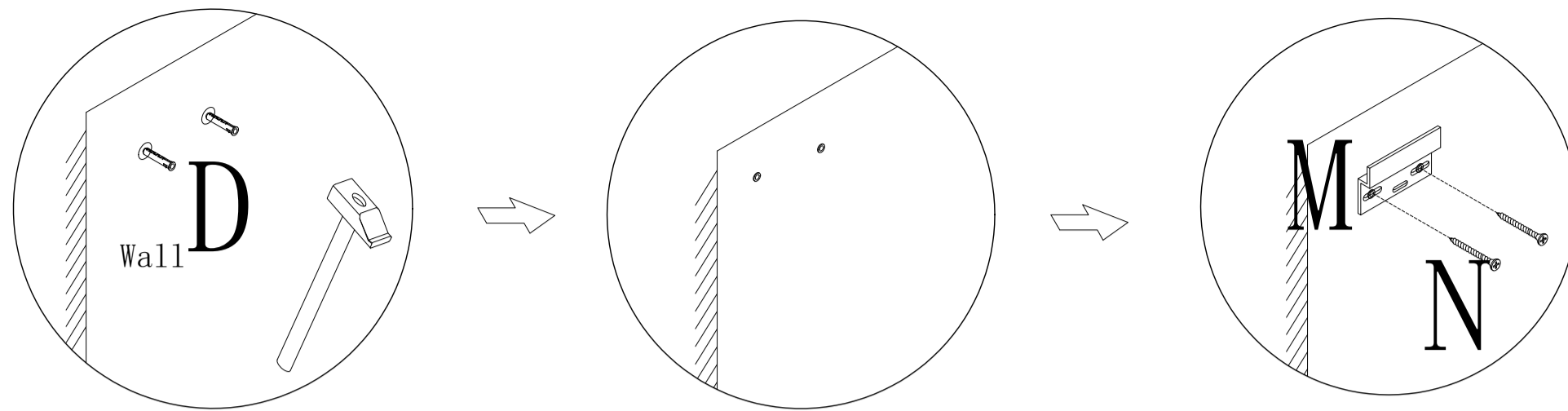
J*8

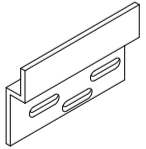


4



	G*24	put G on board (1) (2) (8) (9)		K*4	put K on board (8) (9)
	H*2	put H on board (8) (9)		L*4	put L on board (1) (2) (8) (9)

5



	M*2
	N*4
	D*4