

## MAINTENANCE AND CARE



Following these few basic steps will help to ensure that you enjoy your furniture for a long time:

Do not expose your furniture to direct sunlight, dampness or any heat, like a hot cup of coffee or tea. Always use a coaster.

Dust with a clean, damp, lint free cloth.

Use a damp cloth with water or mild detergent to clean all surfaces - do not use chemicals or paint thinner which will fade the surface.

Place a piece of felt or a pad under the legs of your furniture to avoid scratching the floor.

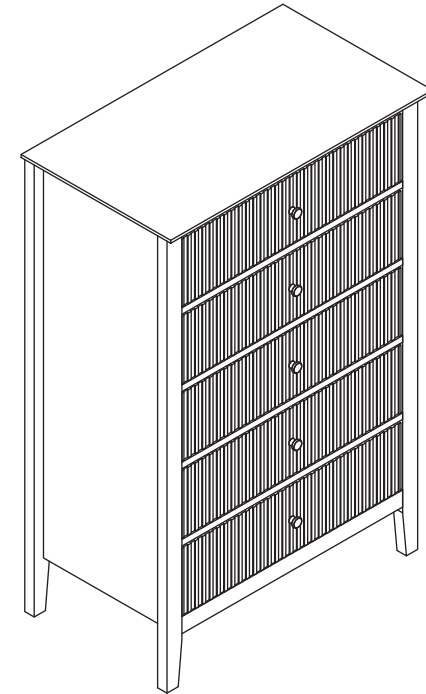
## WARRANTY INFORMATION



**Warranty Coverage:** Our warranty provides protection against manufacturing defects in materials and workmanship for a specified period from the date of purchase, as outlined in the accompanying warranty documentation.

**Exclusions:** The warranty does not cover damages resulting from misuse, negligence, accidents, normal wear and tear, unauthorized repairs or modifications, improper assembly, or failure to adhere to the care and maintenance guidelines provided.

## INSTRUCTION MANUAL



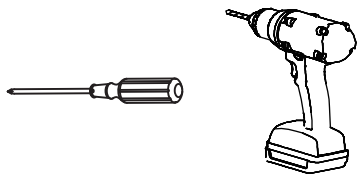
## STORAGE CABINET

# ASSEMBLY INSTRUCTIONS

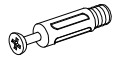













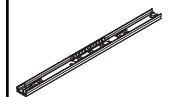





- Carefully unpack all the components and verify that all the necessary parts are included as listed in the packaging.
- Identify each component and refer to the provided assembly diagram or step-by-step instructions.
- Assemble the furniture in the order specified to ensure proper alignment and fit.
- Use the provided tools or recommended tools for assembly. Do not use excessive force when tightening screws or bolts.
- If any difficulties arise during assembly, consult the troubleshooting section or contact our customer support.

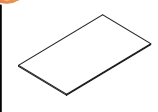
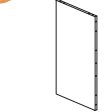
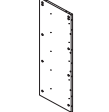
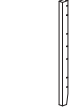

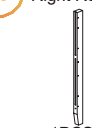
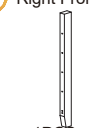

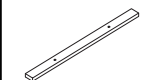

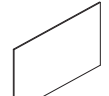
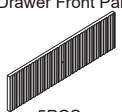
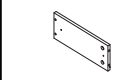
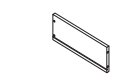

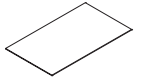
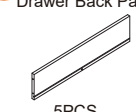

# TOOLS REQUIRED

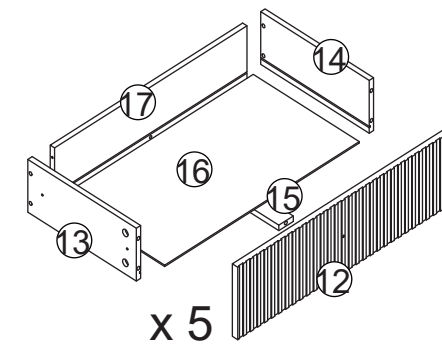
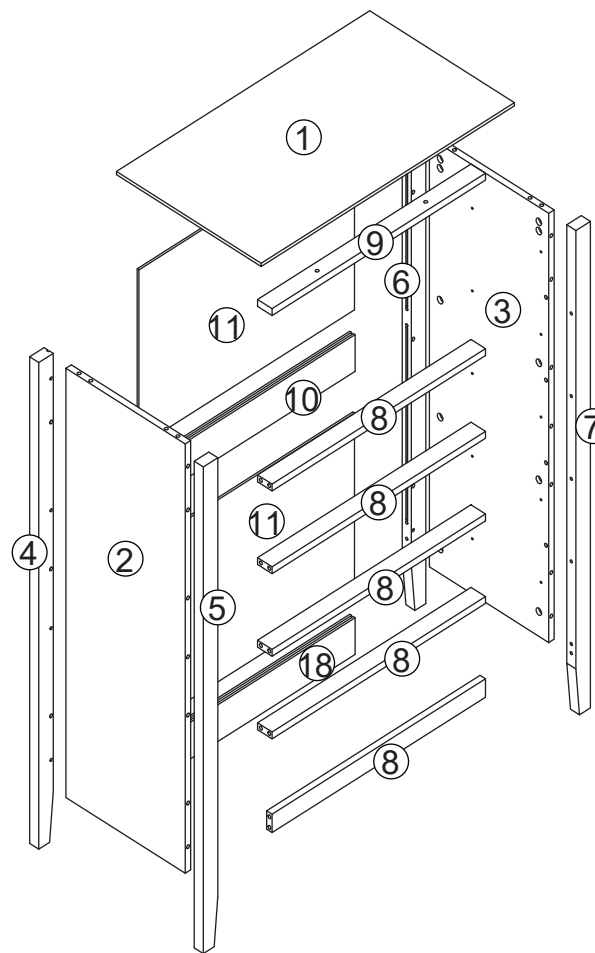


# HARDWARE

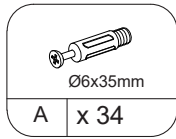
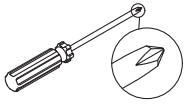
<p><b>A</b> M6x35mm Bolt</p>  <p>63PCS</p>	<p><b>B</b> M15x10mm Eccentric Wheel</p>  <p>63PCS</p>	<p><b>C</b> M8x30mm Wooden Dowel</p>  <p>26PCS</p>	<p><b>D</b> M3x12mm Screw</p>  <p>40PCS</p>
<p><b>E</b> M4x30mm Screw</p>  <p>25PCS</p>	<p><b>F</b> M4x16mm Screw</p>  <p>5PCS</p>	<p><b>G</b> Handle</p>  <p>5PCS</p>	<p><b>H</b> Back Panel Latch</p>  <p>8PCS</p>
<p><b>I</b> M3x16mm Screw</p>  <p>8PCS</p>	<p><b>J</b> Washer</p>  <p>4PCS</p>	<p><b>K</b> Plastic Expansion</p>  <p>2PCS</p>	<p><b>L</b> Anti-tipping Strap</p>  <p>2PCS</p>
<p><b>M</b> M4x14mm Screw</p>  <p>2PCS</p>	<p><b>N</b> M4x35mm Screw</p>  <p>2PCS</p>	<p><b>O</b> 300mm Cabinet Slider</p>  <p>10PCS</p>	<p><b>P</b> 300mm Drawer Slider</p>  <p>10PCS</p>
<p><b>Q</b> M4x25mm Screw</p>  <p>2PCS</p>	<p><b>R</b> Screw Hole Cover</p>  <p>30PCS</p>		

# PART

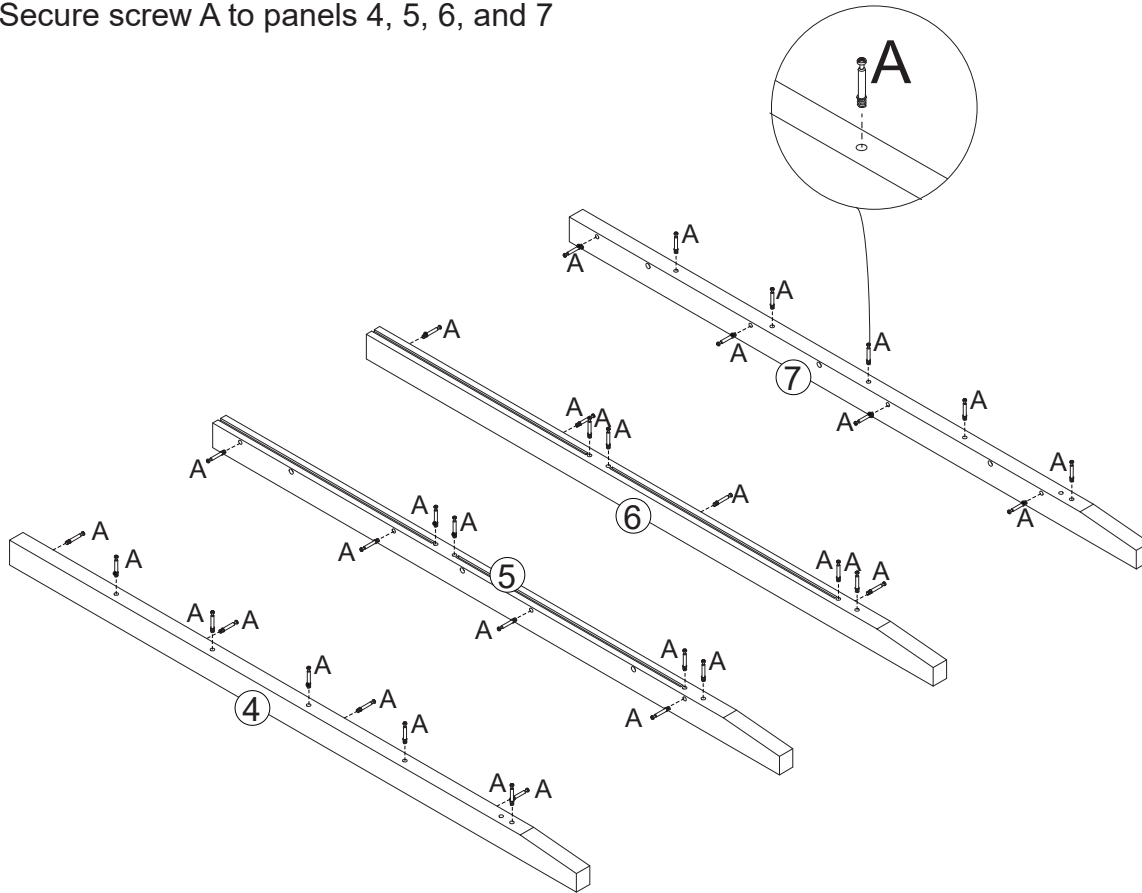
- |  |  |  |  |
|--|--|--|--|
| <p>01 Top Panel<br/>1PC</p>             | <p>02 Left Side Panel<br/>1PC</p>       | <p>03 Right Side Panel<br/>1PC</p>    | <p>04 Left Rear Leg<br/>1PC</p>           |
| <p>05 Left Front Leg<br/>1PC</p>        | <p>06 Right Rear Leg<br/>1PCS</p>       | <p>07 Right Front Leg<br/>1PCS</p>    | <p>08 Lower Drawer Bar<br/>5PCS</p>       |
| <p>09 Top Horizontal Bar<br/>1PCS</p>   | <p>10 Back Panel Bar<br/>1PCS</p>       | <p>11 Back Panel<br/>2PCS</p>         | <p>12 Drawer Front Panel<br/>5PCS</p>     |
| <p>13 Left Drawer Side<br/>5PCS</p>   | <p>14 Right Drawer Side<br/>5PCS</p>  | <p>15 Drawer Pull Bar<br/>5PCS</p>  | <p>16 Drawer Bottom Panel<br/>5PCS</p>  |
| <p>17 Drawer Back Panel<br/>5PCS</p>  | <p>18 Back Panel Bar<br/>1PCS</p>     |  |  |



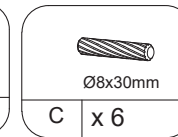
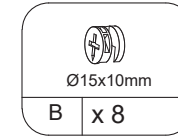
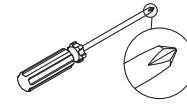
# STEP 1



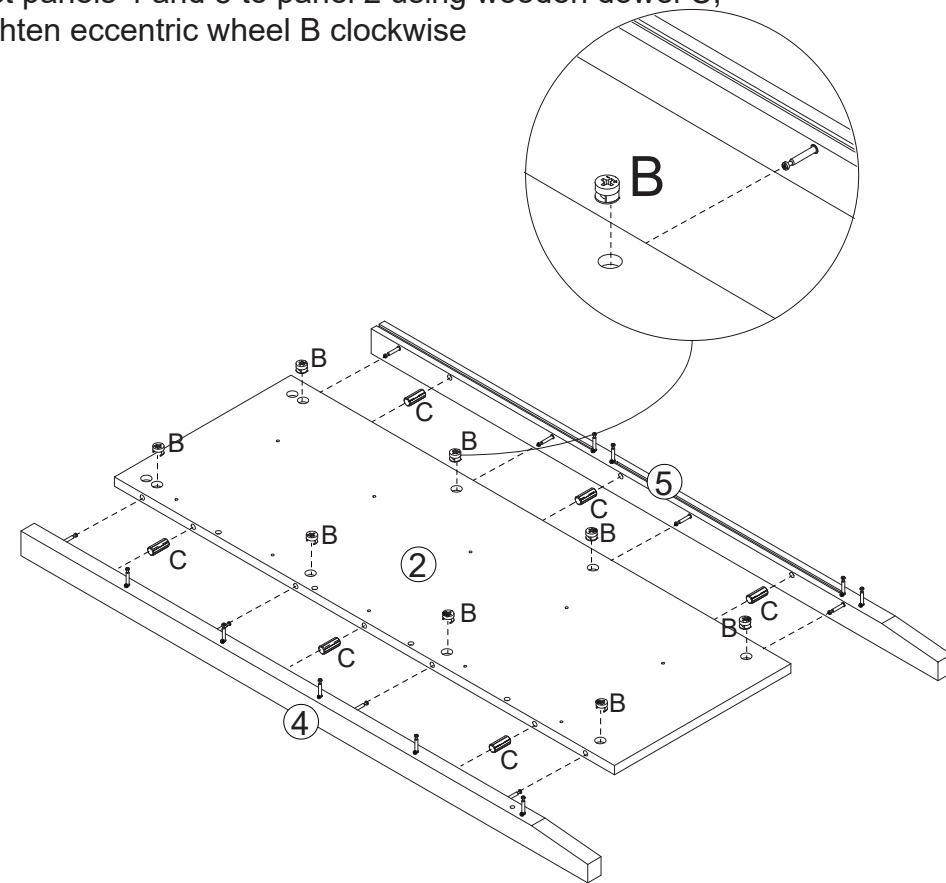
Secure screw A to panels 4, 5, 6, and 7



# STEP 2

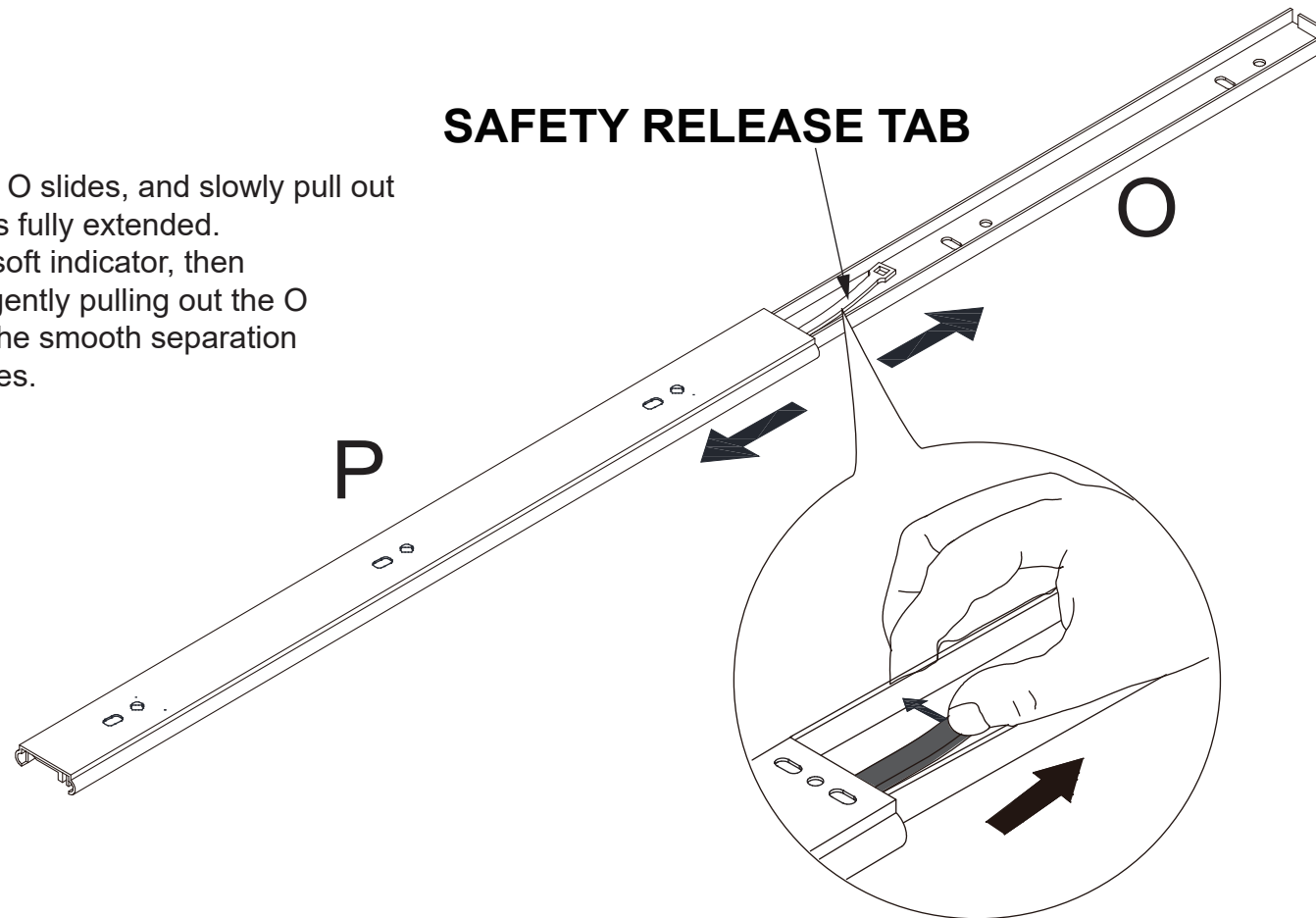


Connect panels 4 and 5 to panel 2 using wooden dowel C, then tighten eccentric wheel B clockwise

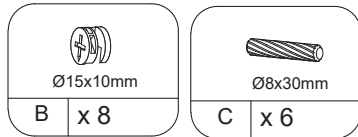
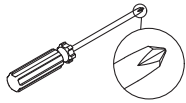


## STEP 3

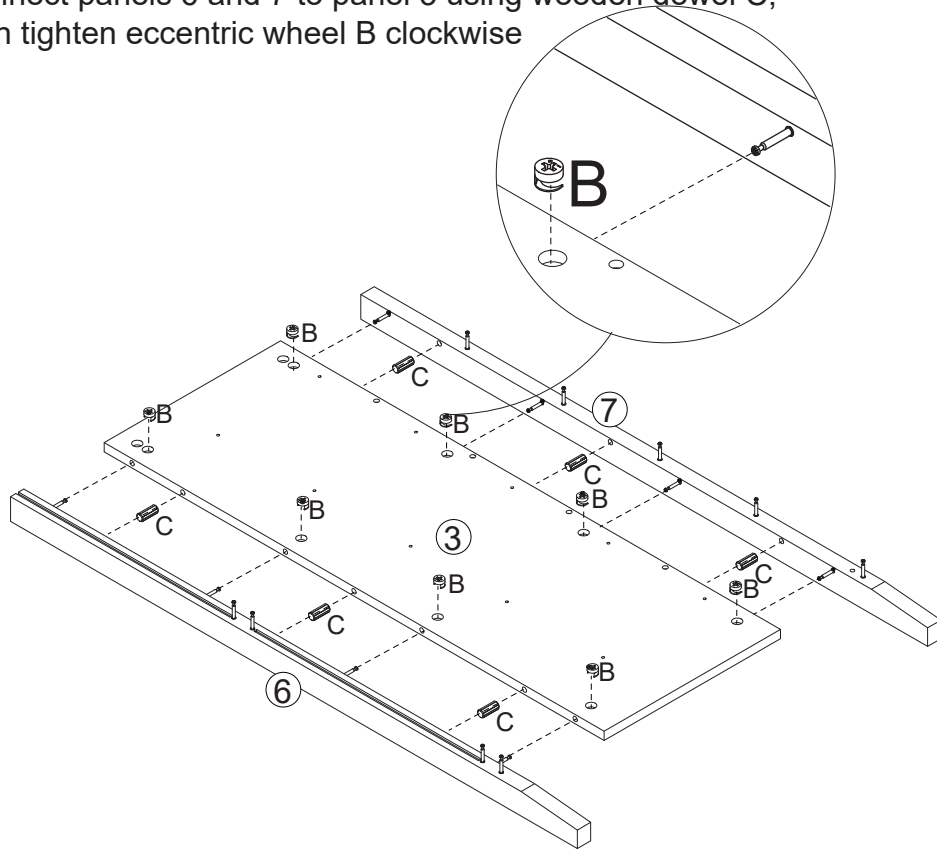
Take out the P and O slides, and slowly pull out the O slide until it is fully extended. Locate the plastic soft indicator, then press down while gently pulling out the O slide, allowing for the smooth separation of the P and O slides.



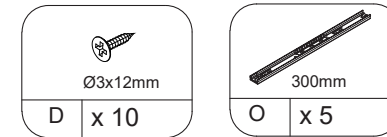
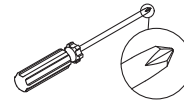
## STEP 4



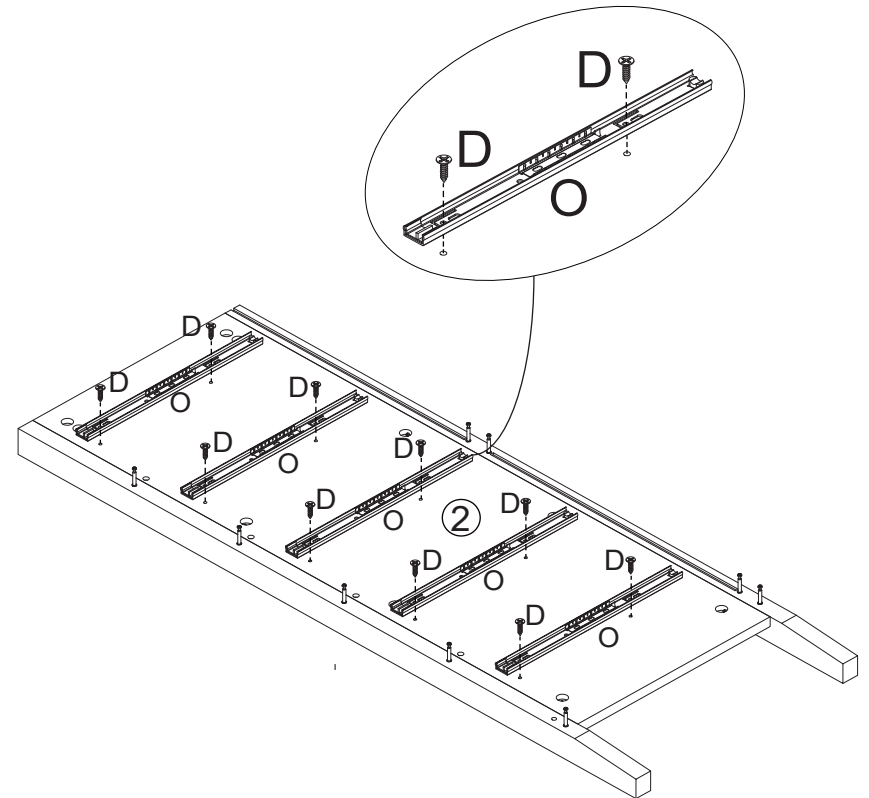
Connect panels 6 and 7 to panel 3 using wooden dowel C, then tighten eccentric wheel B clockwise



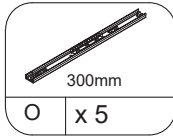
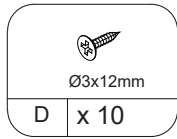
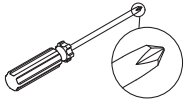
## STEP 5



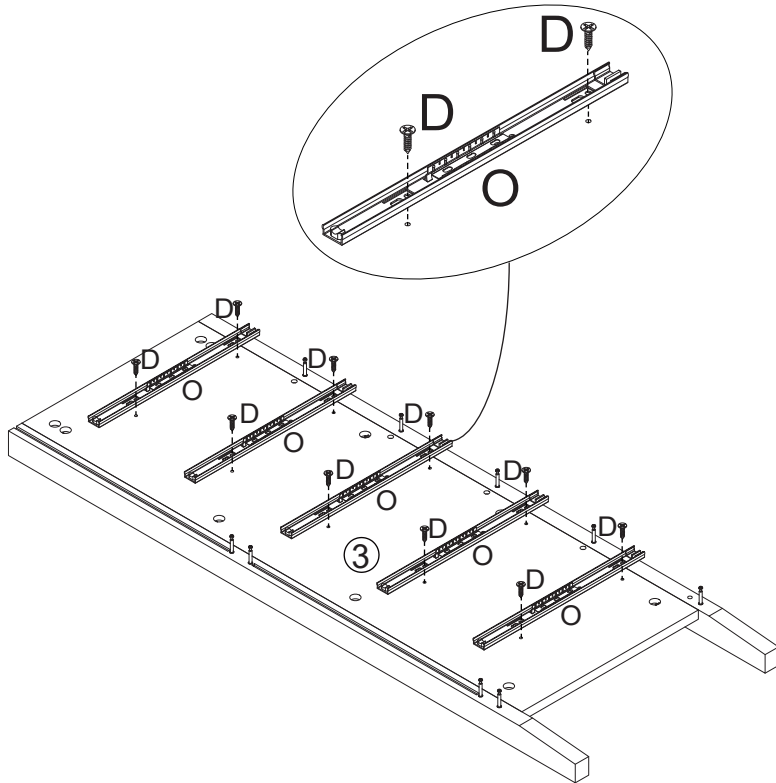
Secure the slide rail O onto panel 2 using screw D



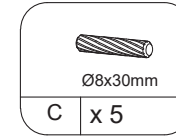
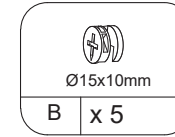
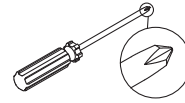
## STEP 6



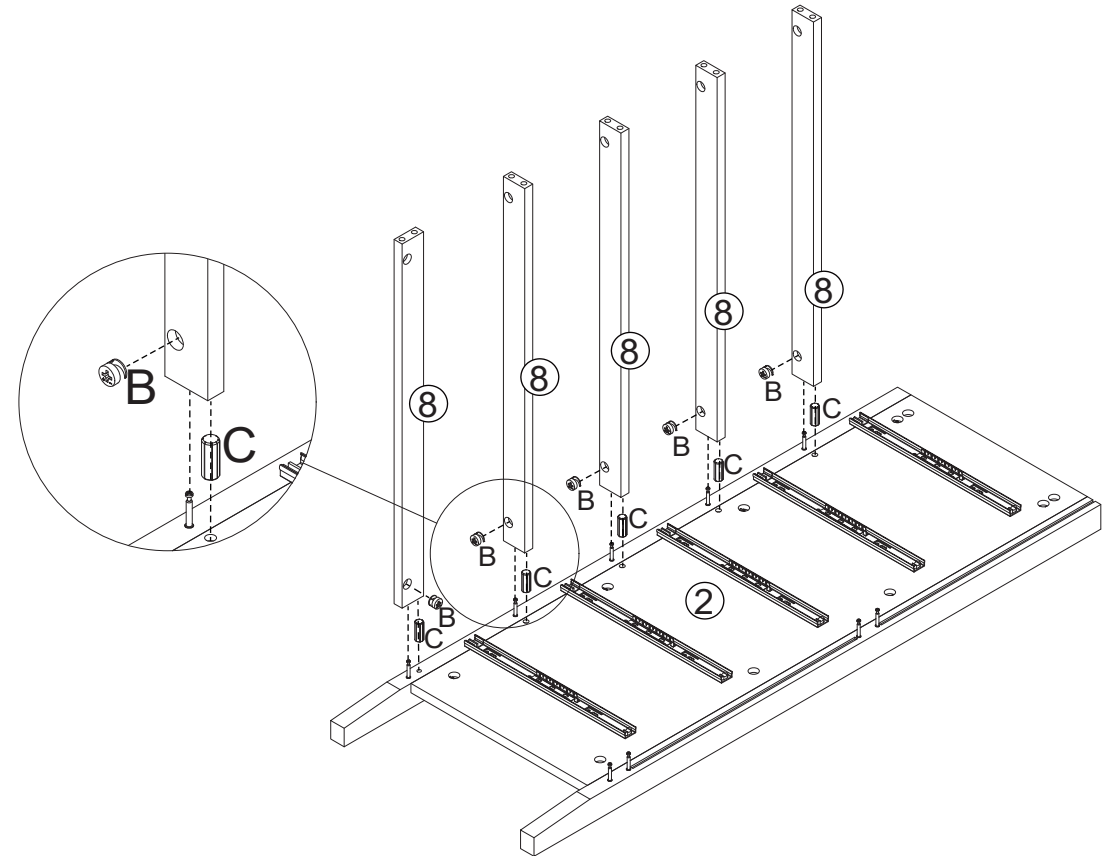
Secure the slide rail O onto panel 3 using screw D



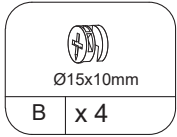
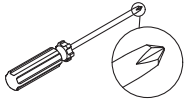
## STEP 7



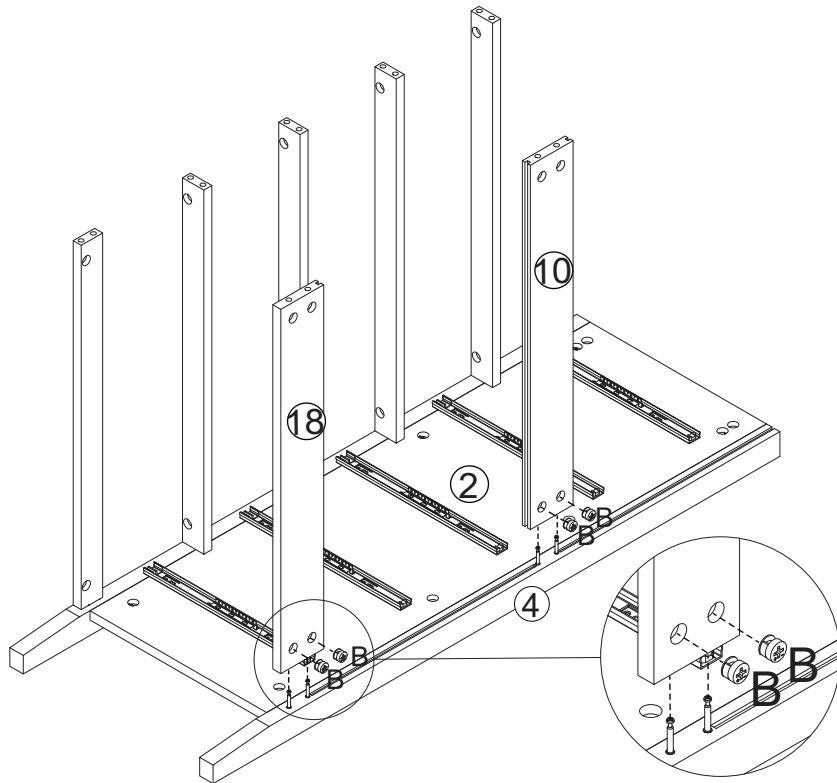
Connect panel 8 to panel 2 using wooden dowel C, then tighten eccentric wheel B clockwise



## STEP 8

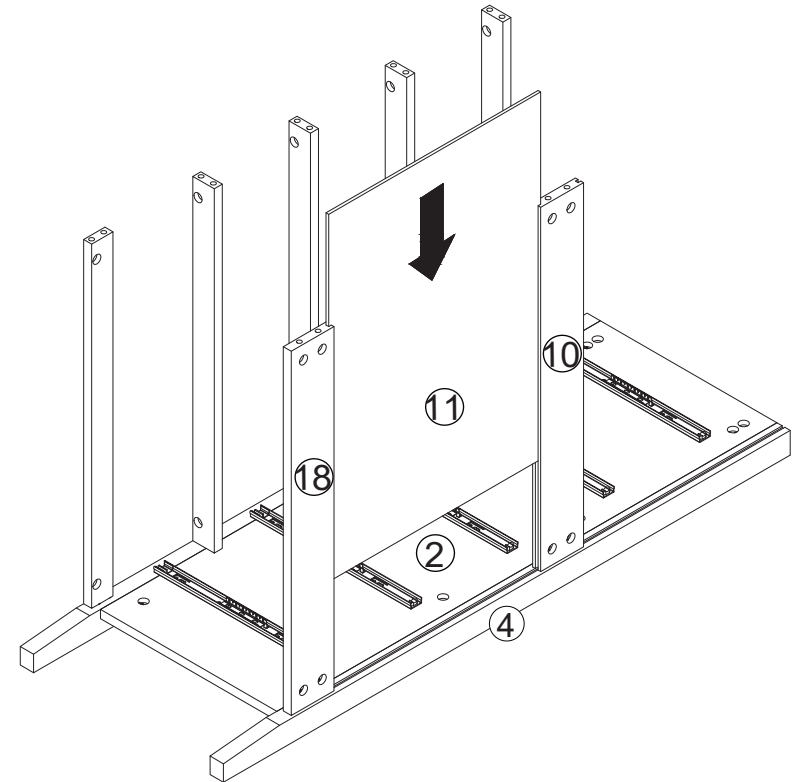


Connect panels 10 and 18 to panel 2 using screw B, then tighten eccentric wheel B clockwise

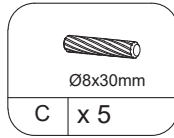
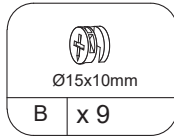
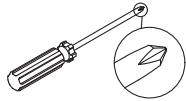


## STEP 9

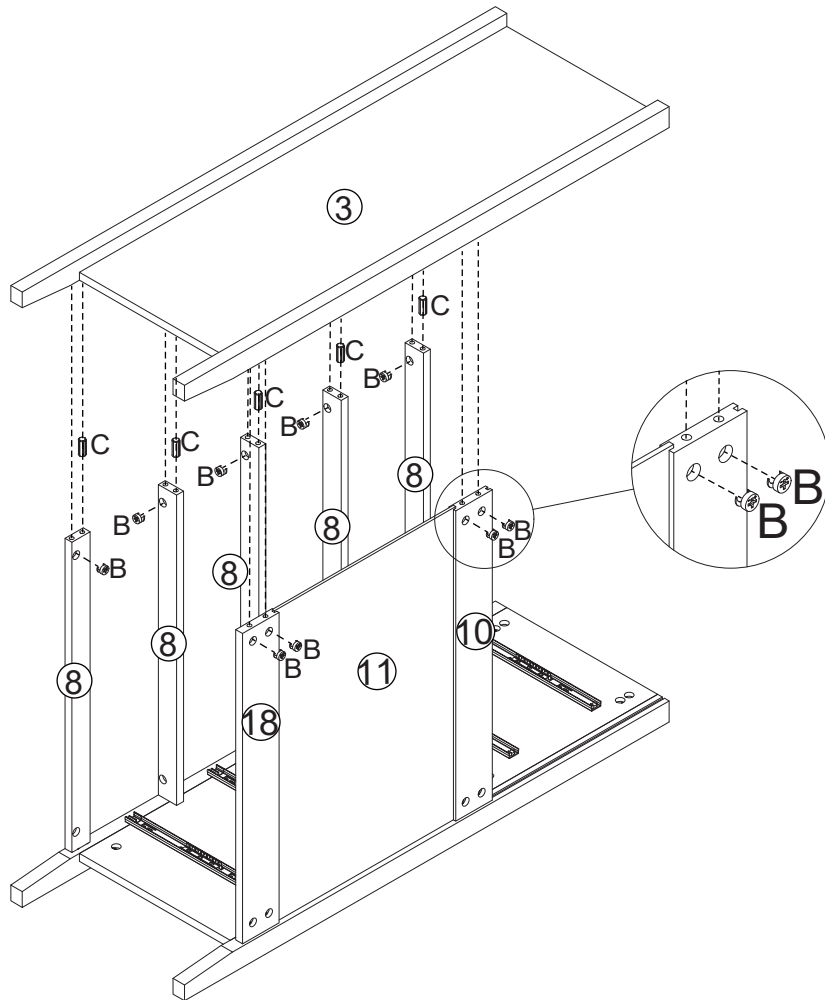
Slide and insert back panel 11 into the assembled component



## STEP 10

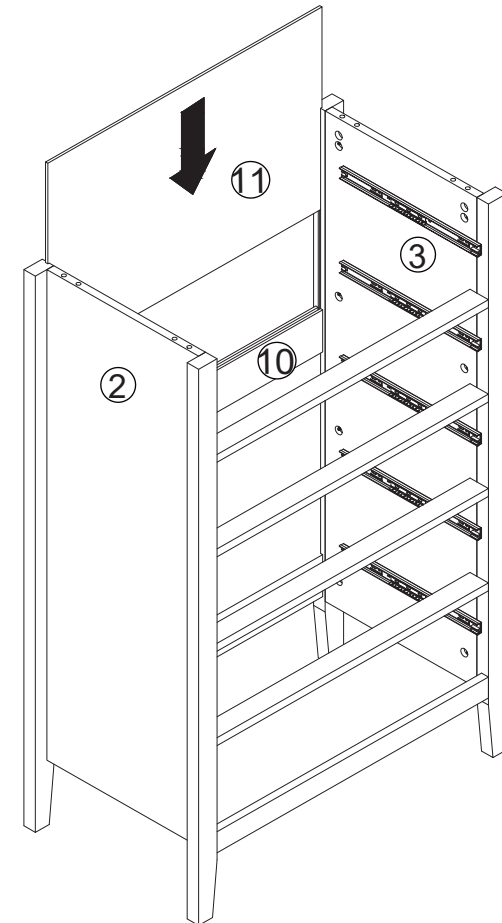


Connect panel 3 to panel 2 using wooden dowel C, then tighten eccentric wheel B clockwise

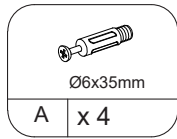
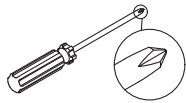


## STEP 11

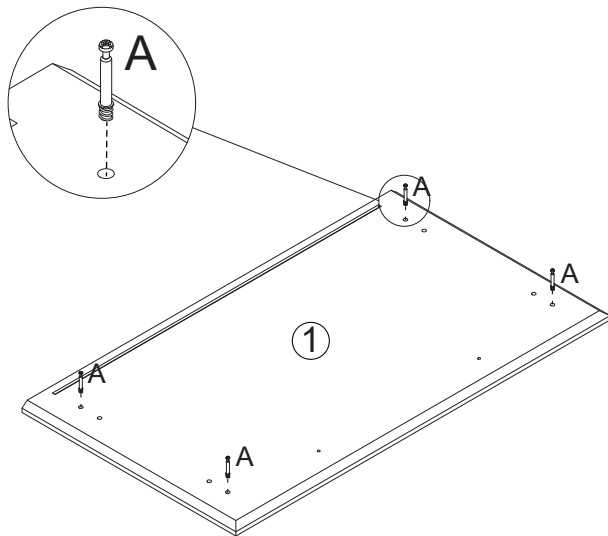
Slide and insert back panel 11 into the assembled component



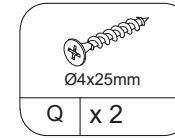
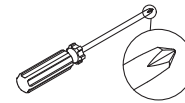
## STEP 12



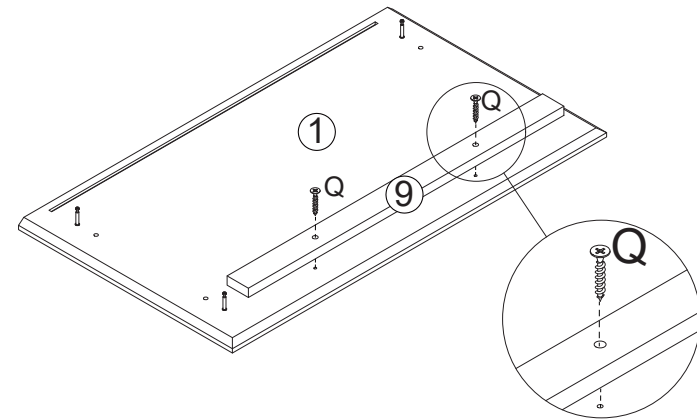
Secure bolt A onto panel 1



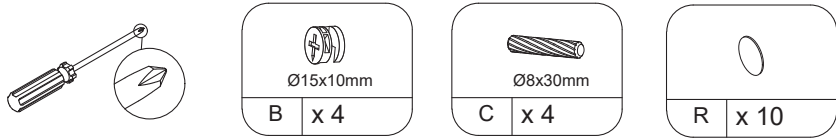
## STEP 13



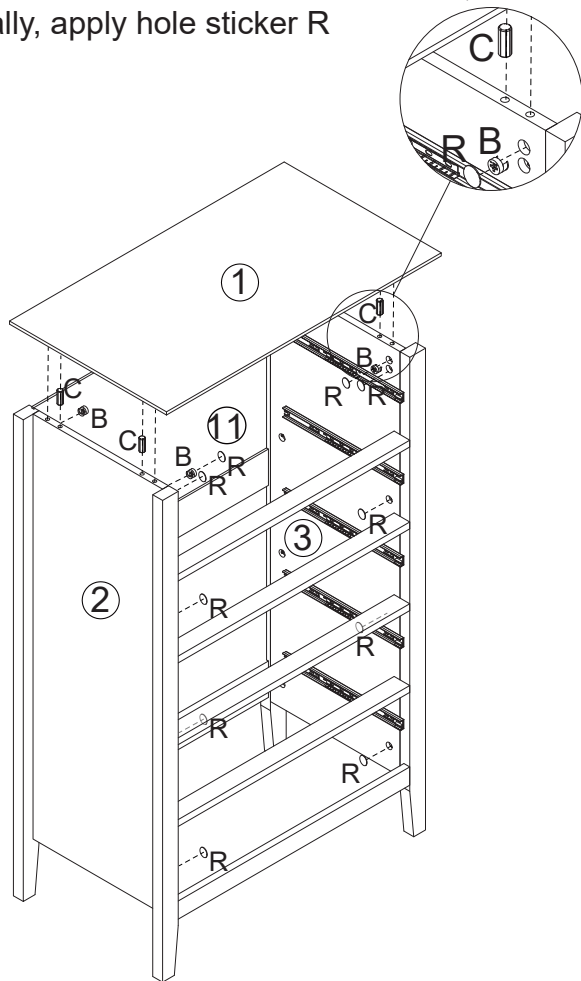
Secure panel 9 onto panel 1 using screw Q



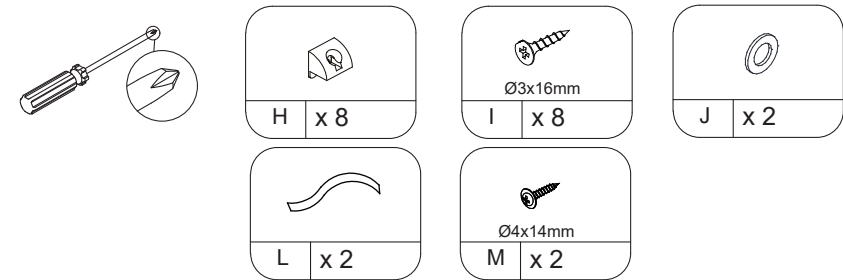
## STEP 14



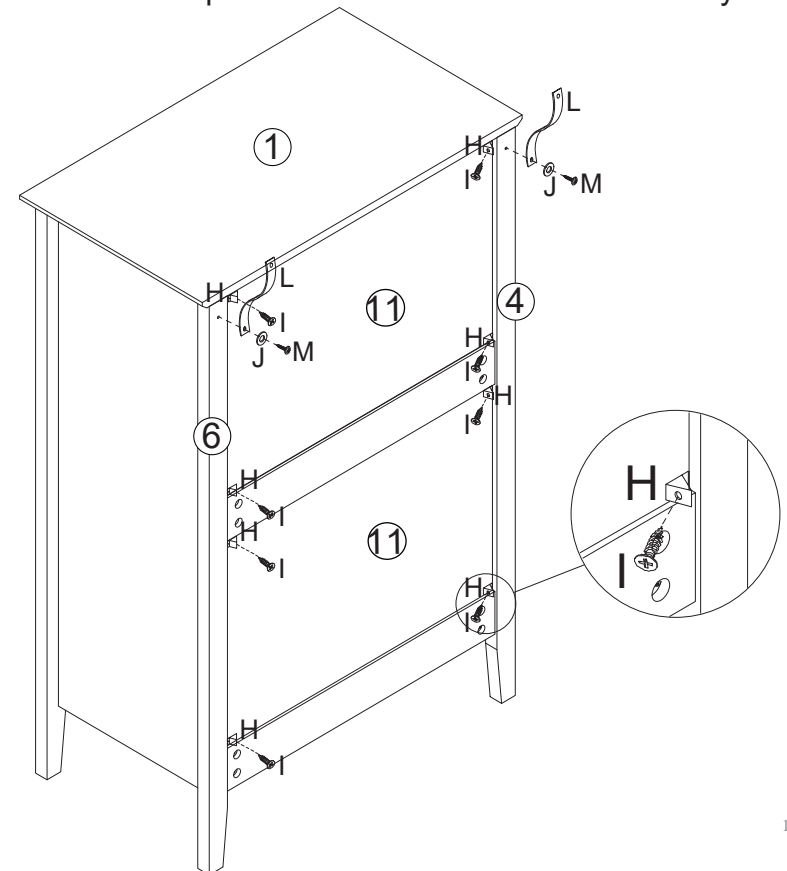
Connect panel 1 to panels 2 and 3 using wooden dowel C, then tighten eccentric wheel B clockwise, and finally, apply hole sticker R



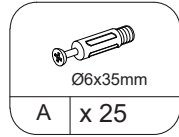
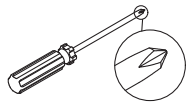
## STEP 15



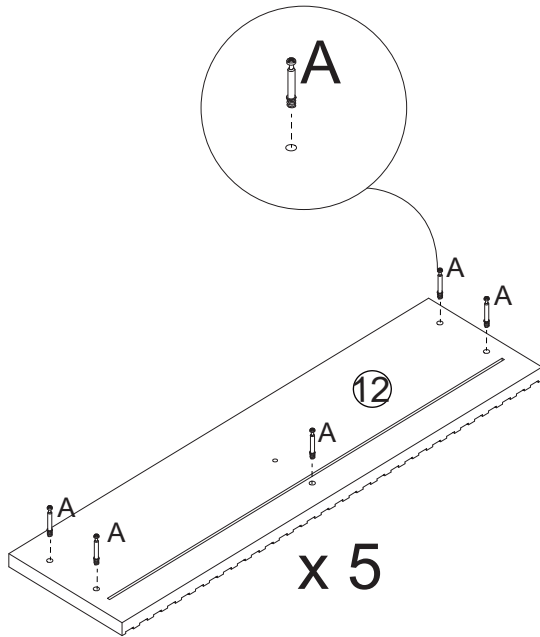
Secure back panel fastener H to the back panel using screw I, then install the anti-tip device on panels 4 and 6  
Please install all the back panel fasteners for enhanced stability



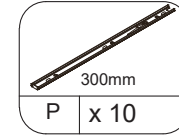
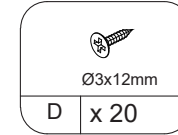
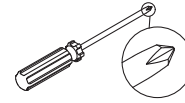
# STEP 16



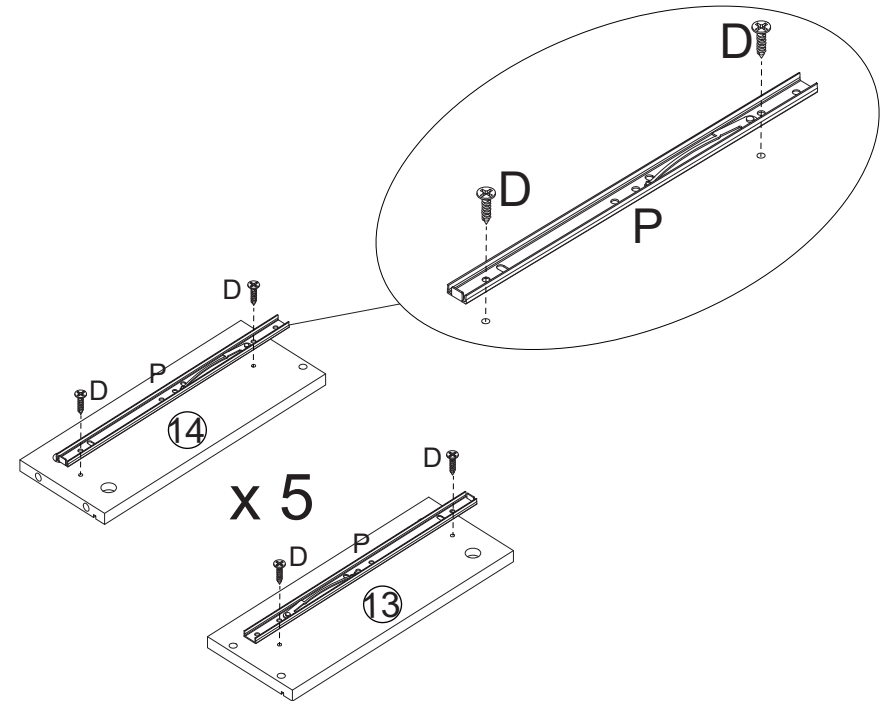
Secure bolt A onto panel 12



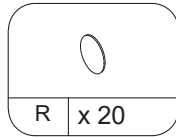
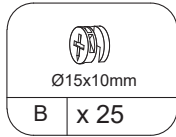
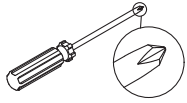
# STEP 17



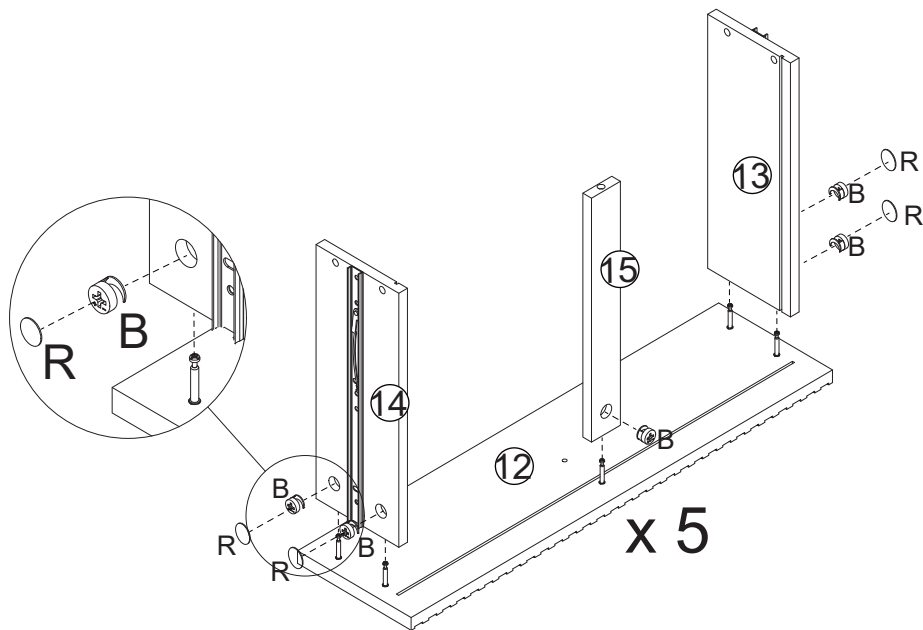
Secure the slide rail P onto panels 13 and 14 using screw D



## STEP 18

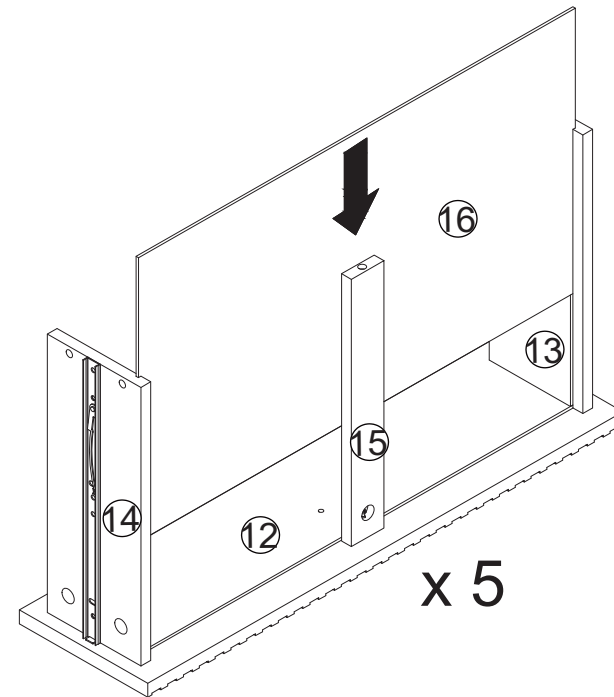


Connect panel 13, 14, 15 to panel 12 using screw B, then tighten eccentric wheel B clockwise, and finally, apply hole sticker R

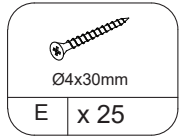
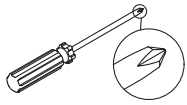


## STEP 19

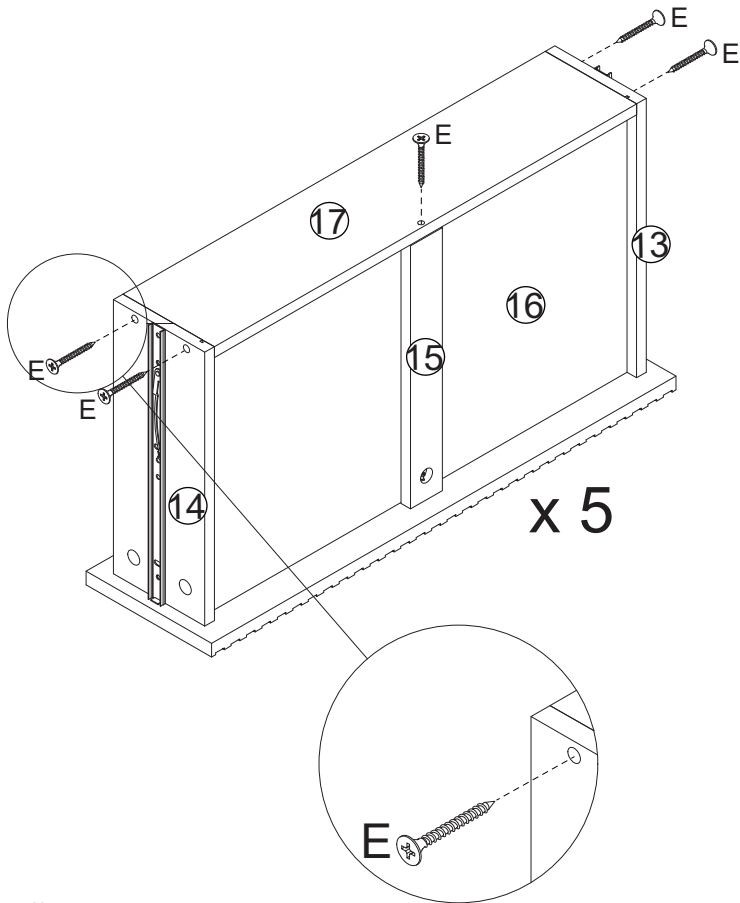
Slide and insert drawer bottom panel 16 into the assembled component



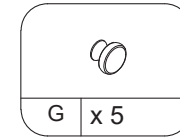
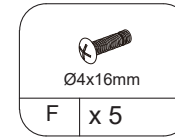
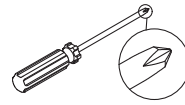
# STEP 20



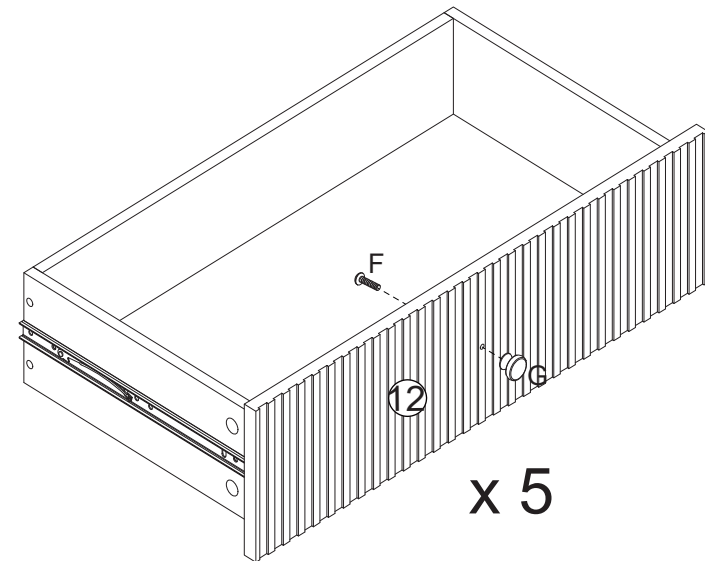
Attach panel 17 to the assembled components and secure it with screw E



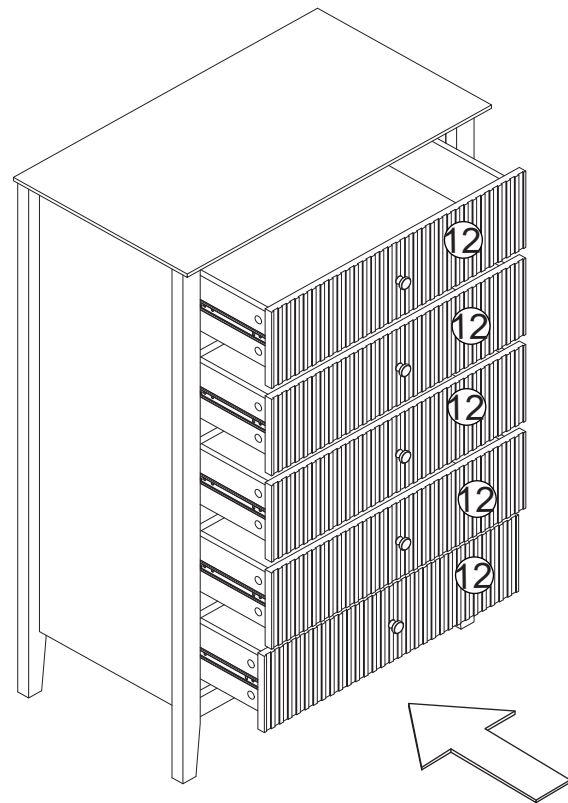
# STEP 21



Secure handle G onto panel 12 using screw F

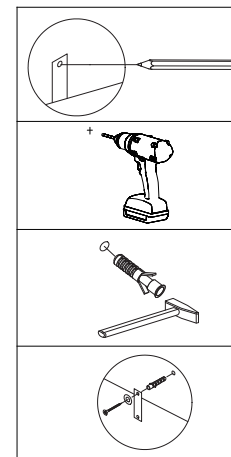
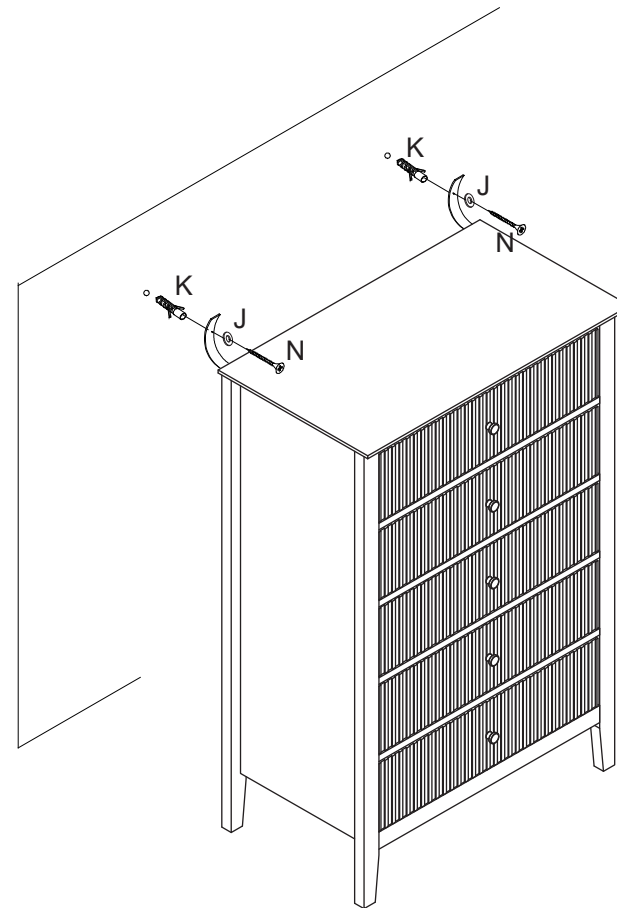
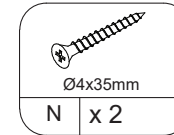
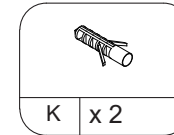
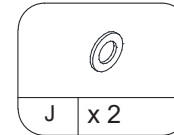
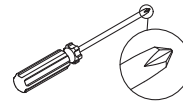


# STEP 22



Place the drawer inside the cabinet.

# STEP 23



Use components K, J, and N to assemble hardware L on the wall to prevent tipping.