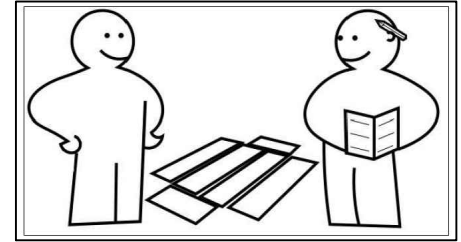
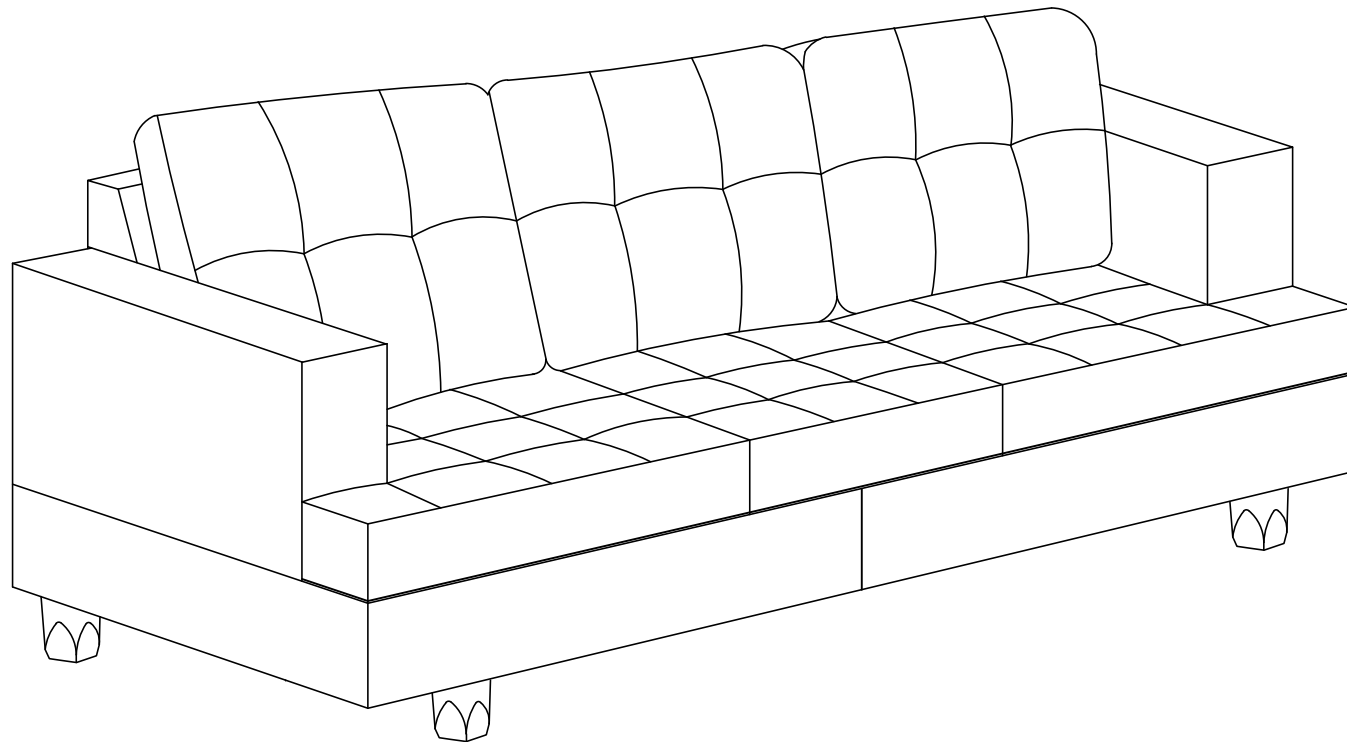



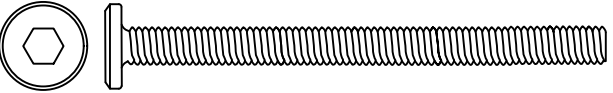
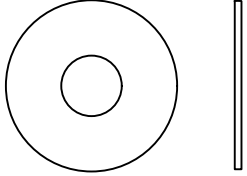
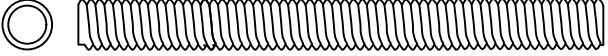
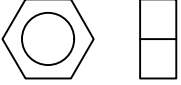

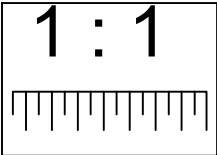
# ASSEMBLY INSTRUCTION



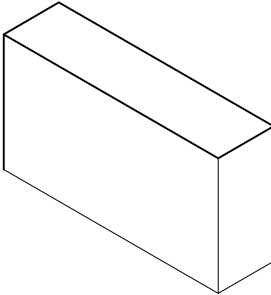
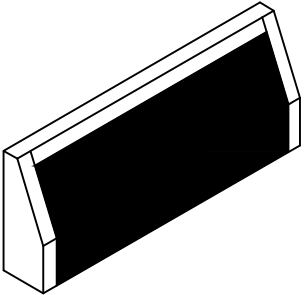
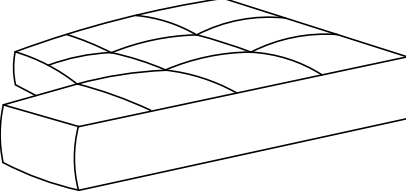
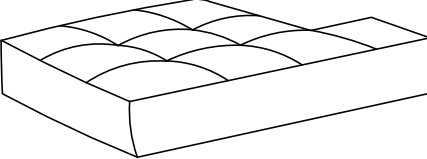
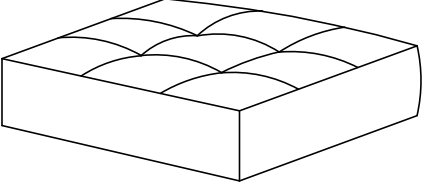
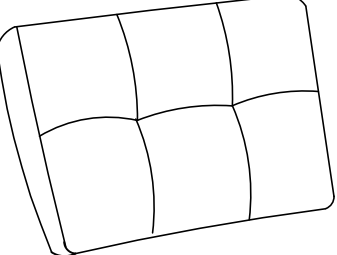
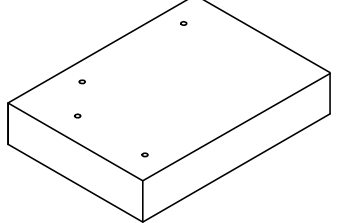
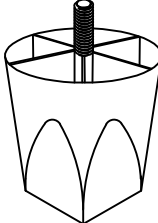
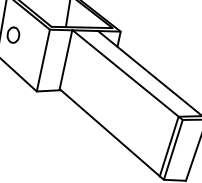
Attention:  
Two people are required for  
assembly and lifting unit.



# HARDWARE LIST

							
A	1PC	B	2PCS	C	12PCS		
Allen Key M5		JCBC Bolt 5/ 16 X 70mm		Flat Washer 5/ 16 x 25mm			
							
D		8PCS		E		10PCS	
Threaded Rods 5/16 x 75mm				Nut 5/16 x 12mm			
F				1PC			
Spanner							
<div style="text-align: right; margin-right: 50px;">  </div>							

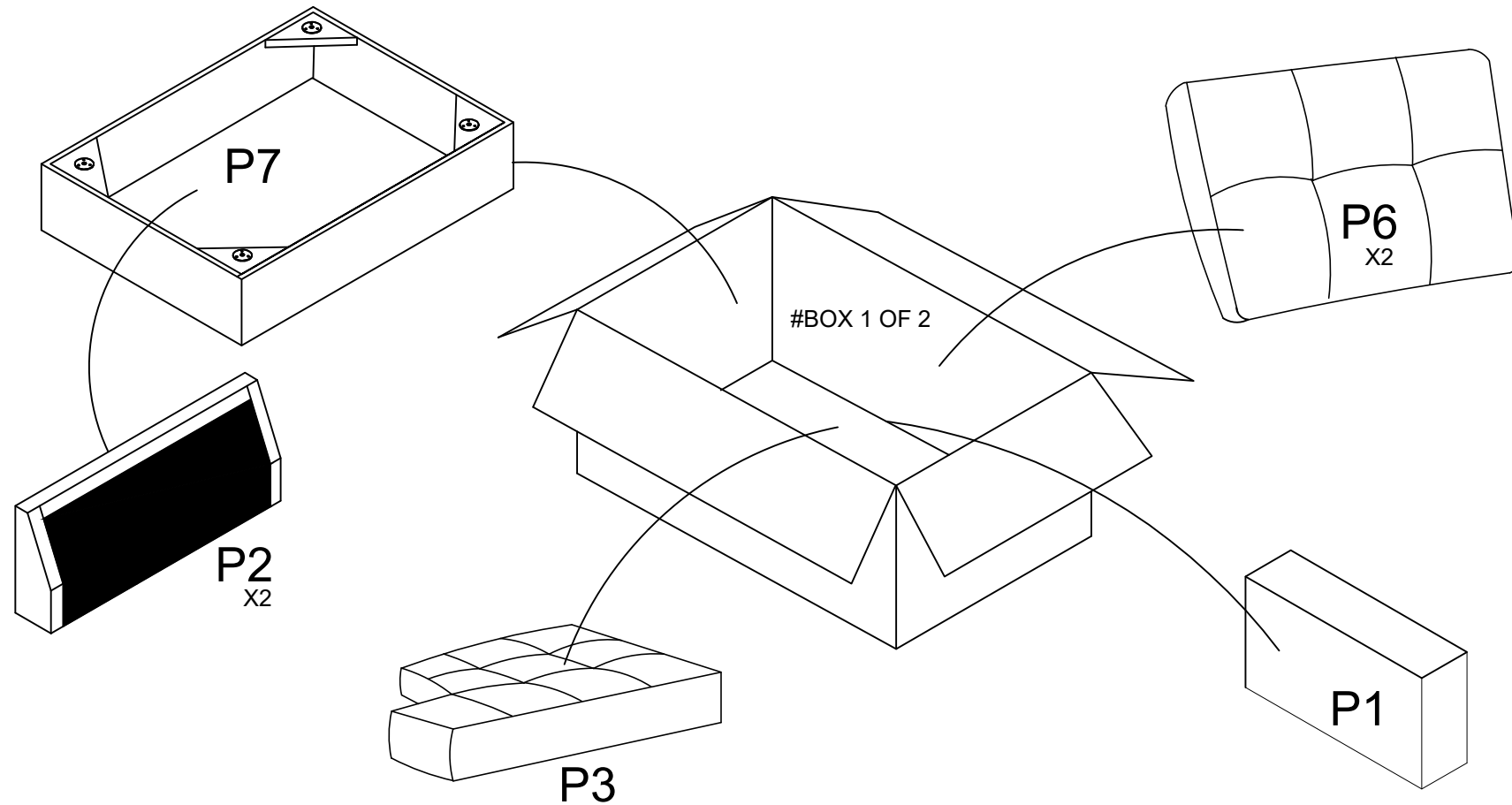
# PART LIST

<p>P1</p>  <p>ARM REST (2PCS)</p>	<p>P2</p>  <p>BACK REST (2PCS)</p>	<p>P3</p>  <p>CUSHION SEAT - LEFT(1PC)</p>
<p>P4</p>  <p>CUSHION SEAT-RIGHT(1PC)</p>	<p>P5</p>  <p>CUSHION SEAT(1PC)</p>	<p>P6</p>  <p>BACK CUSHION(3PCS)</p>
<p>P7</p>  <p>SEAT BASE (2PCS)</p>	<p>P8</p>  <p>PLASTIC LEG (4PCS)</p>	<p>P9</p>  <p>METAL LEG (2PCS)</p>

# ASSEMBLY INSTRUCTION

## STEP 1.

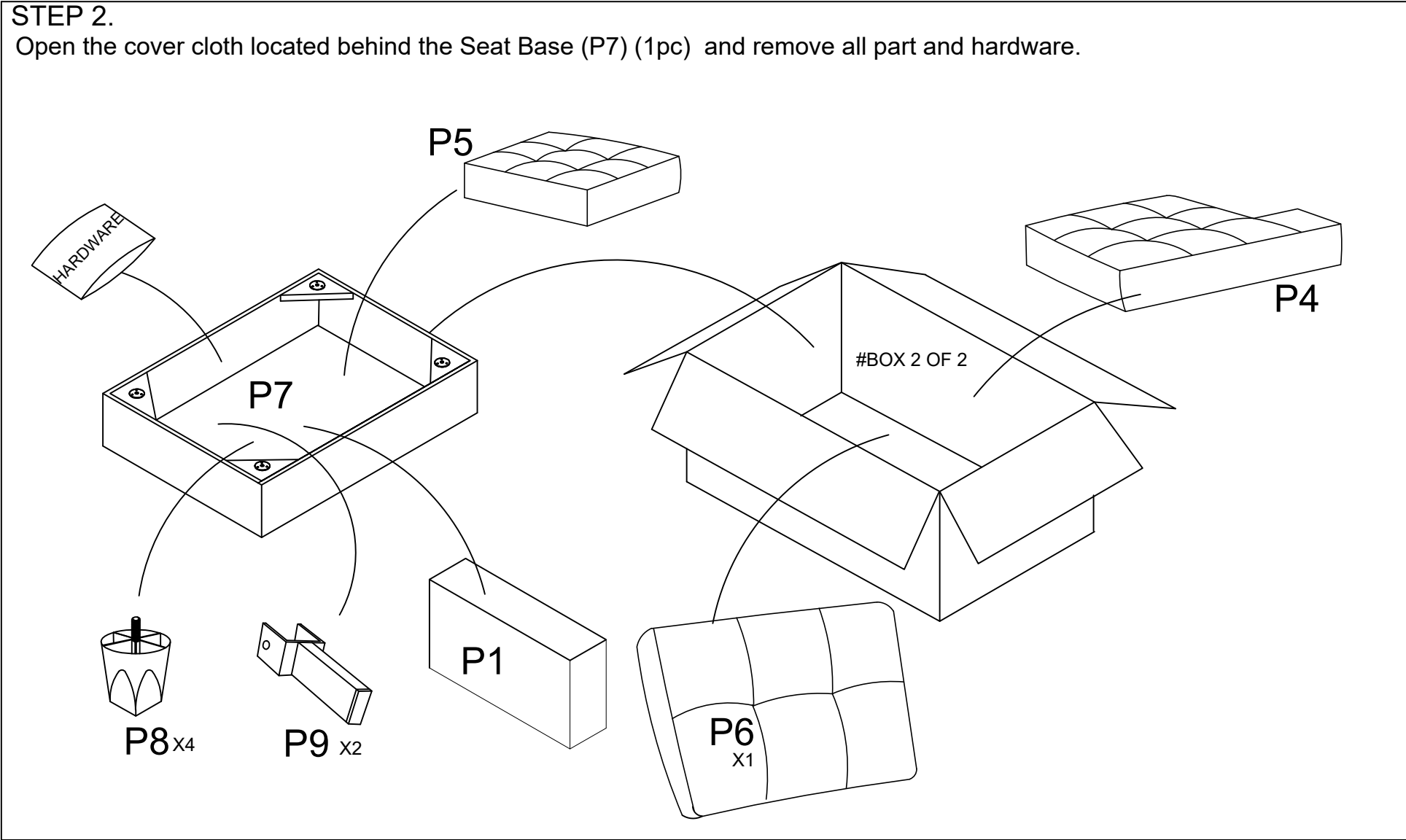
Open the cover cloth located behind the Seat Base (P7) (1pc) and remove all part.



# ASSEMBLY INSTRUCTION

## STEP 2.

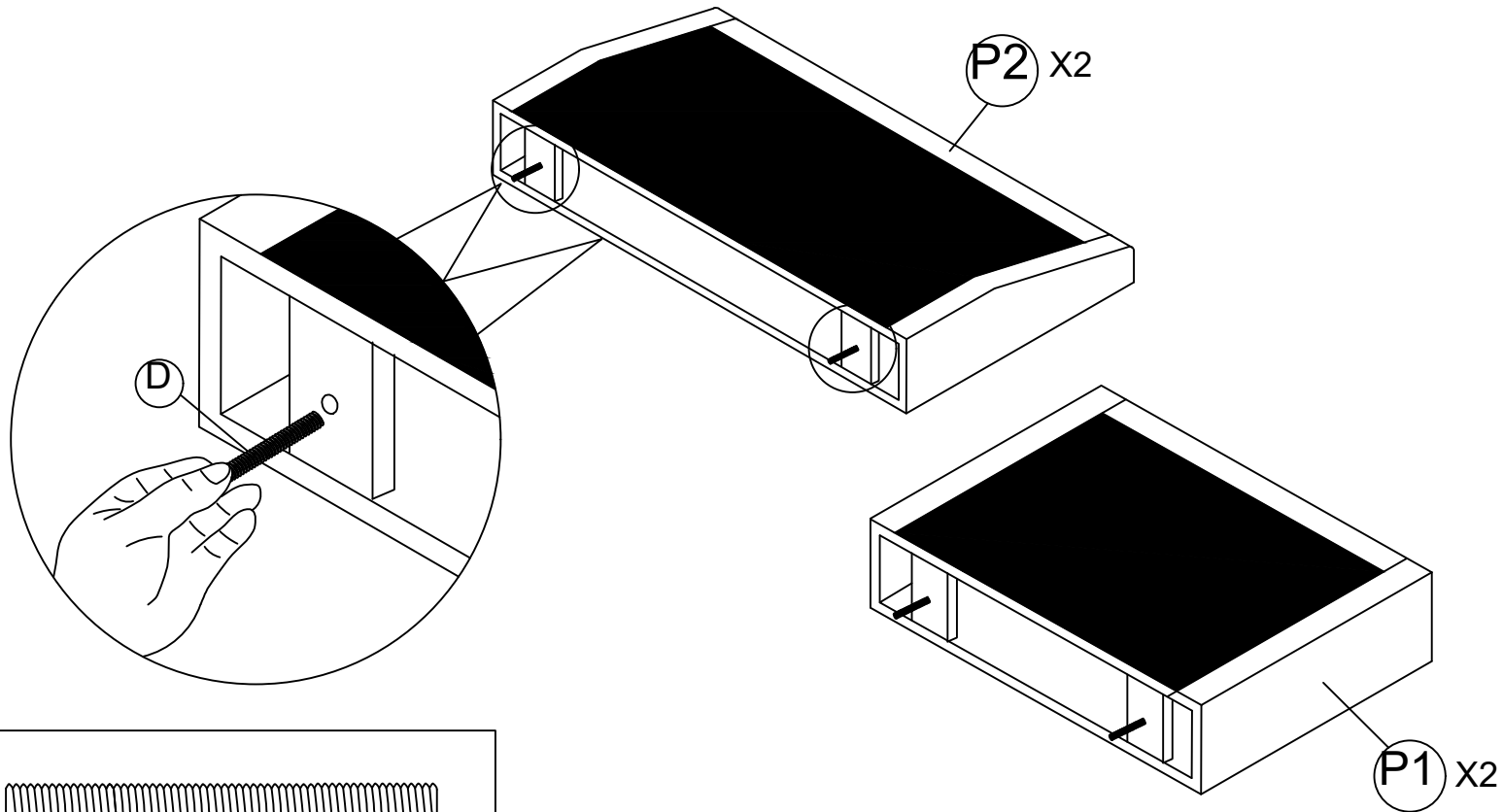
Open the cover cloth located behind the Seat Base (P7) (1pc) and remove all part and hardware.


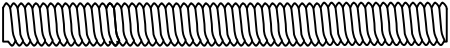


# ASSEMBLY INSTRUCTION

## STEP 3.

Attached the Threaded Rods (D) (8pcs) to Back Rest (P2)(2pcs) and Arm Rest (P1) (2pcs).



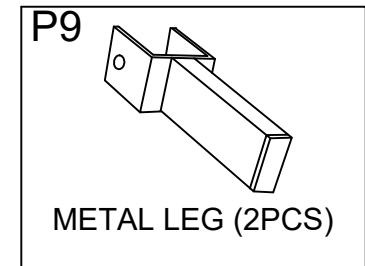
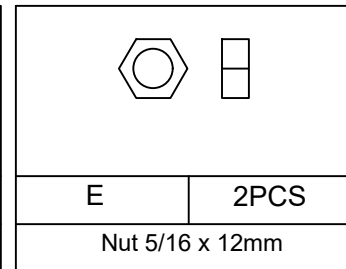
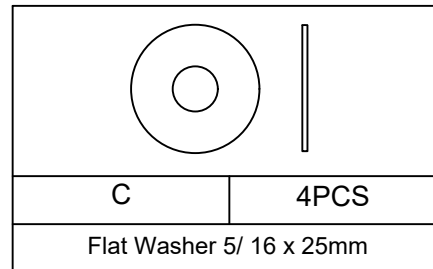
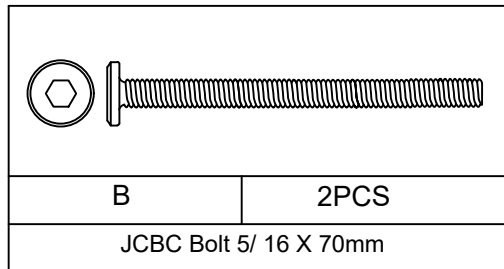
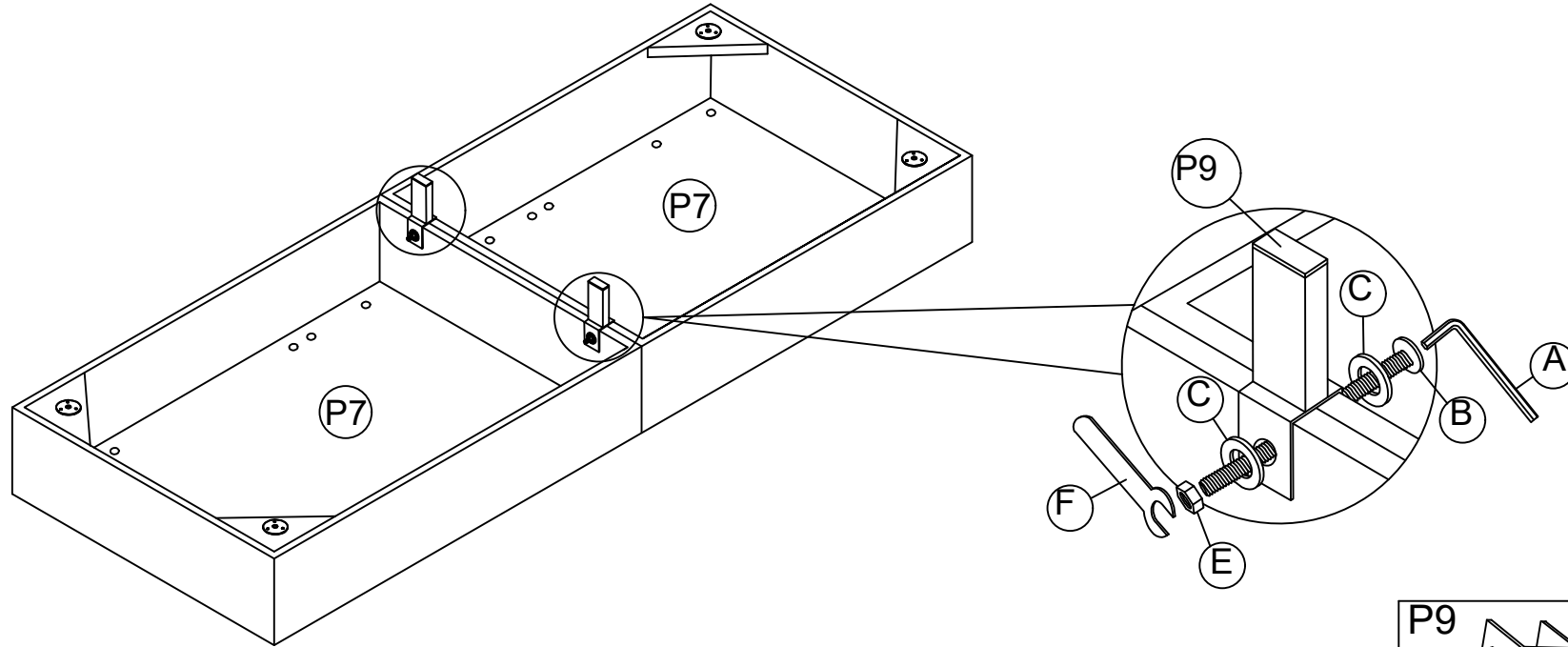
	
D	8PCS
Threaded Rods 5/16 x 75mm	

# ASSEMBLY INSTRUCTION

## STEP 4.

For this step lay the Seat Base (P7) (2pcs)

Attached the Metal Leg (P9) (2pcs). Legs are to be attached using JCBC Bolt 5/16 x 70mm (B) (2pcs), Flat Washer 5/16 x 25mm (C) (4pcs), Nut 5/16 x 25mm (E) (2pcs), Allen Key (A) and Spanner (F) to fix. Make sure the bolts are fully tightened and secure.



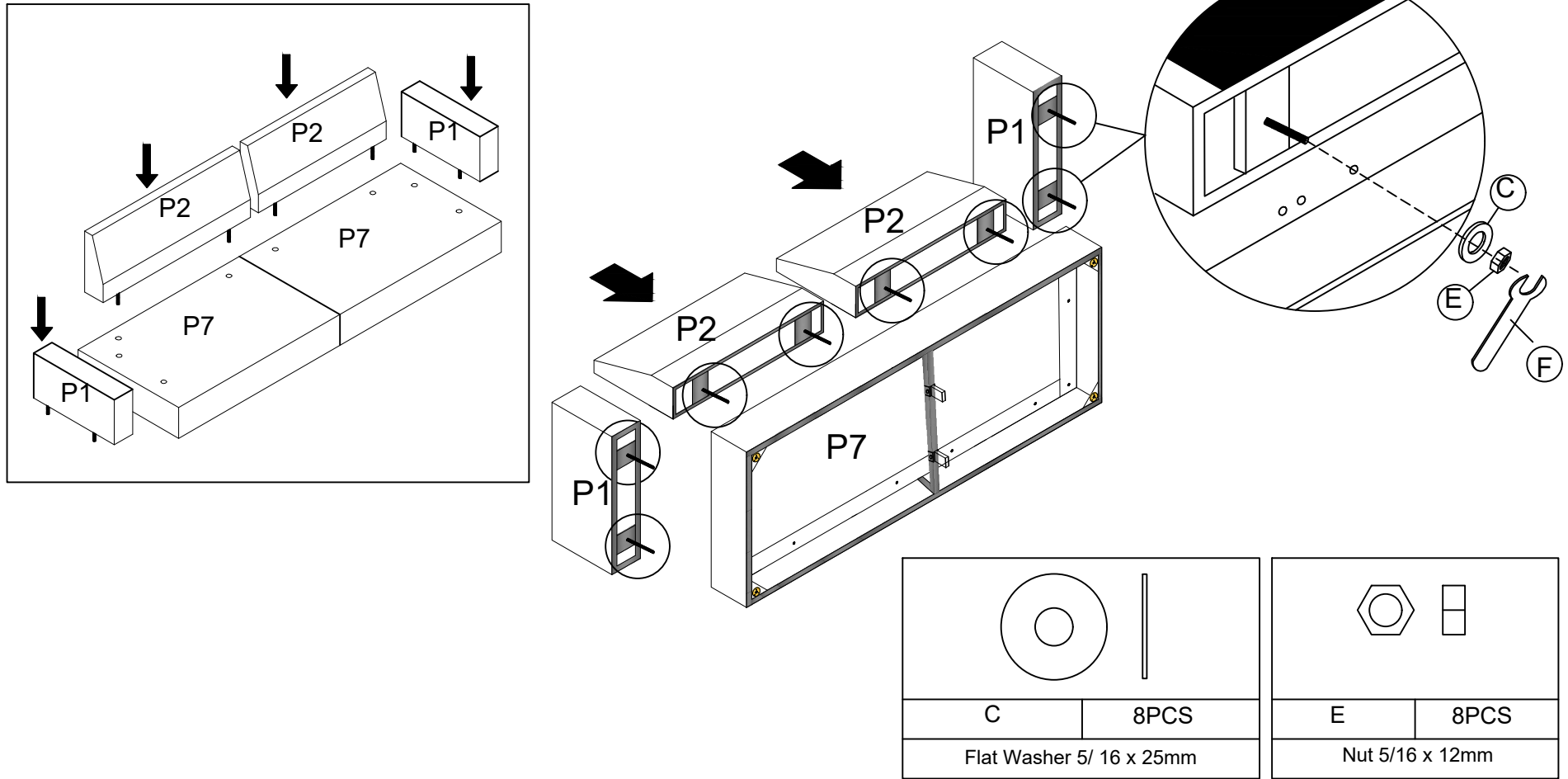
# ASSEMBLY INSTRUCTION

## STEP 5.

Attached the Back Rest (P2)(2pcs), Arm Rest (P1) (2pcs) to Seat Base (P7) (2pcs).

Used Flat Washer (C) (8pcs), Nut (E)(8pcs) and Spanner(F) to assemble.

Make sure the bolts are fully tighten and secure.

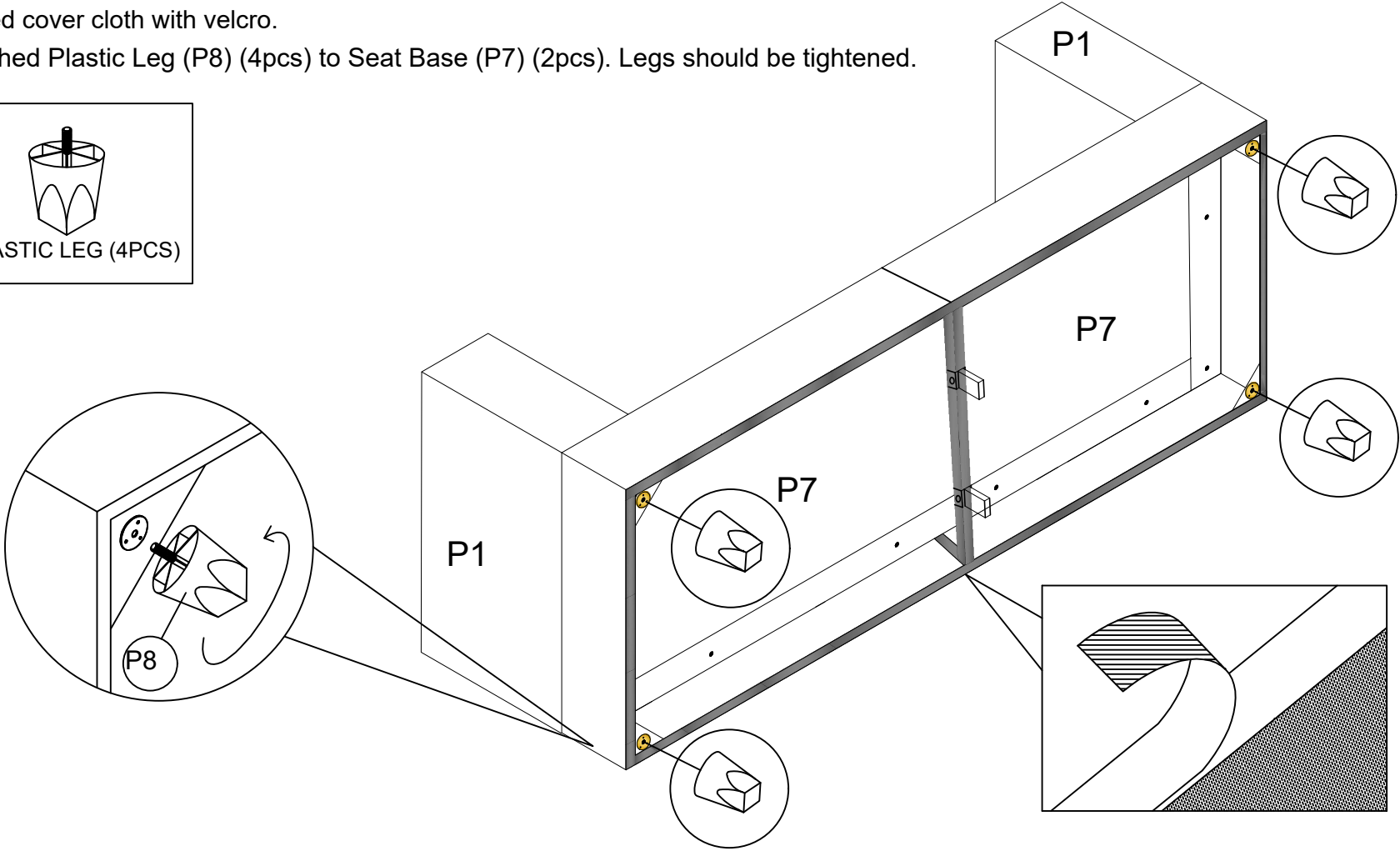
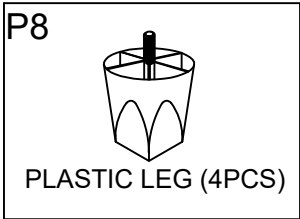


# ASSEMBLY INSTRUCTION

## STEP 6.

Closed cover cloth with velcro.

Attached Plastic Leg (P8) (4pcs) to Seat Base (P7) (2pcs). Legs should be tightened.



# ASSEMBLY INSTRUCTION

## STEP 7

Attach the Cushion Seat (P3,P4,P5) (3pcs),Back Cushion (P6) (3pcs) to the seat base.

