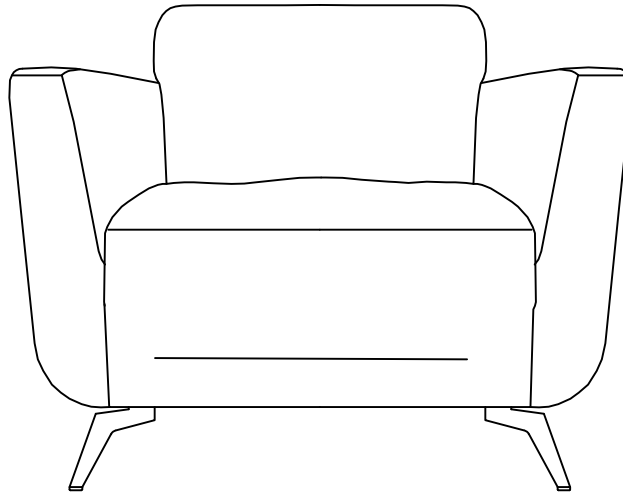


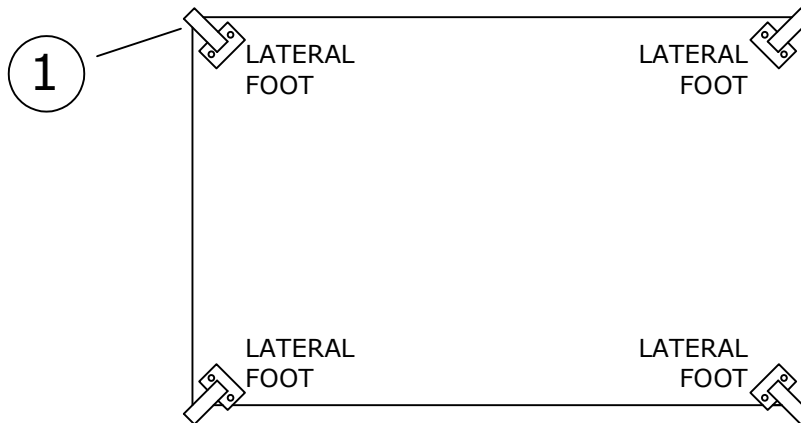
ASTON

CHAIR (V010)

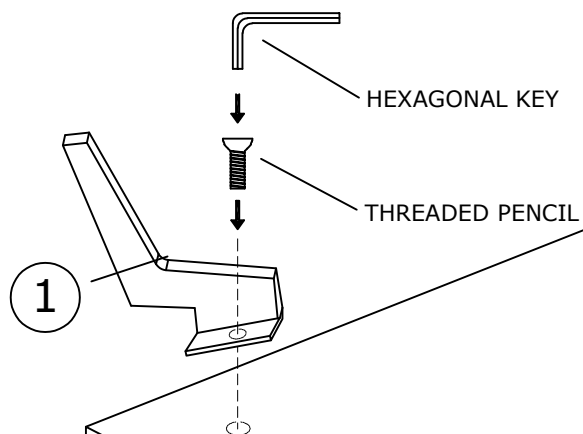
FRONTAL VIEW



BOTTOM VIEW



Unwrap the sofa and turn it over.
Take the feet of the couch.
Position and screw the foot in the position shown as a drawing (3), with threaded pin and hexagonal key.
Repeat this process on all feet.



2