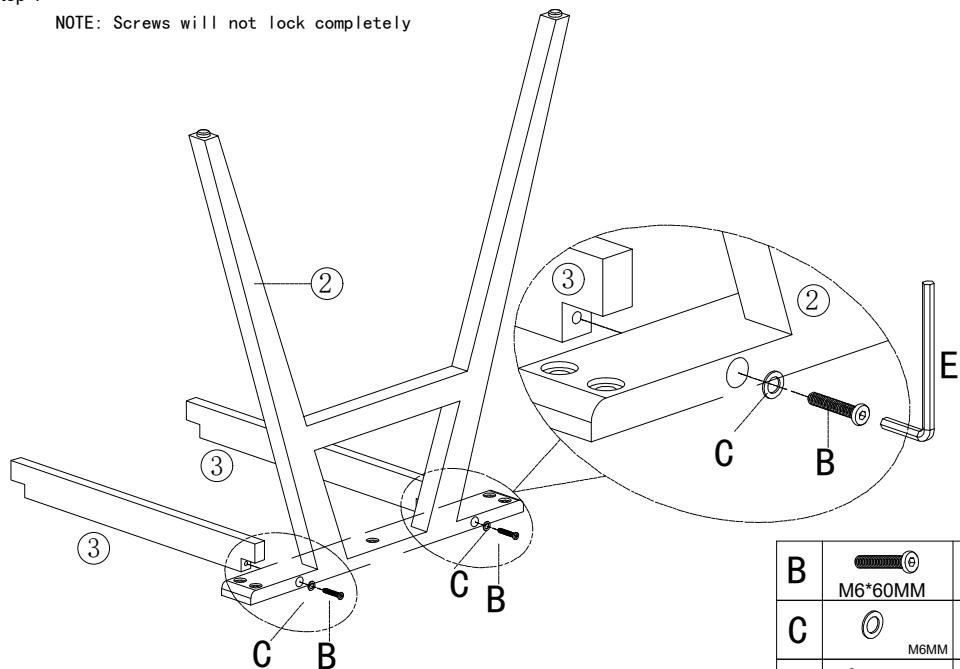
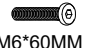




Specification: Table & Chair 013-Table

Step 1

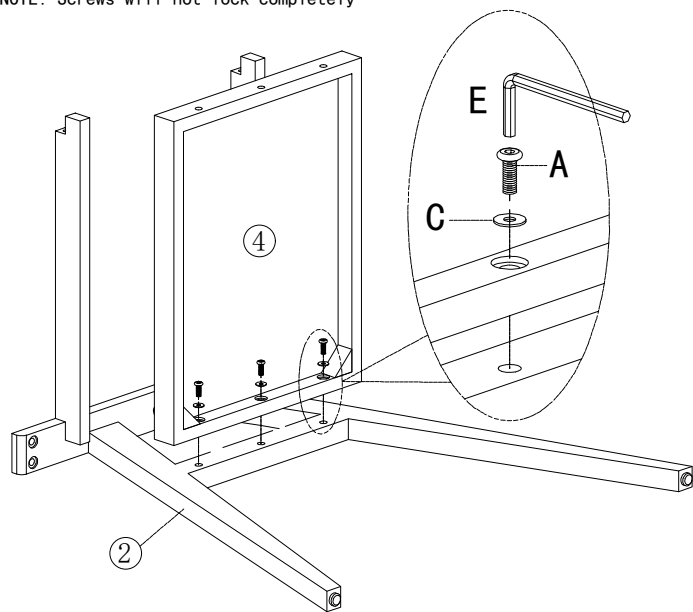
NOTE: Screws will not lock completely


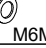
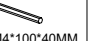


B	 M6*60MM	2PCS
C	 M6MM	2PCS
E	 M4*100*40MM	1PCS

Step 2

NOTE: Screws will not lock completely

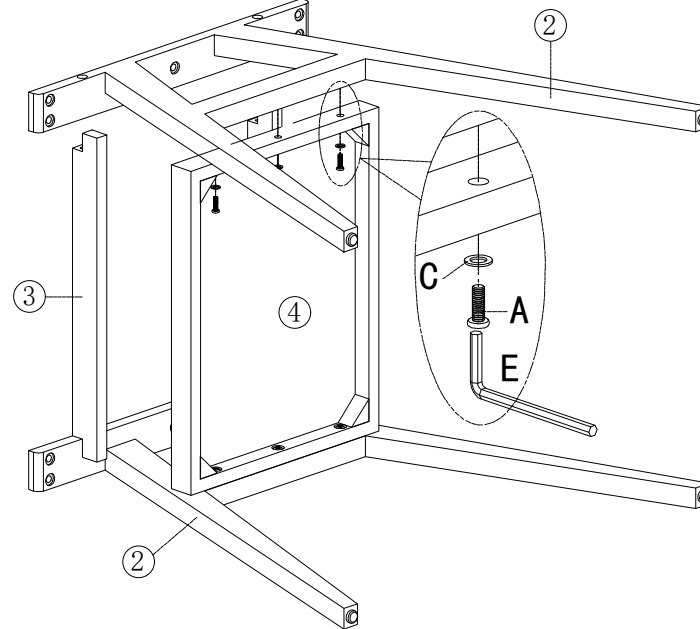





A	 M6*30MM	3PCS
C	 M6MM	3PCS
E	 M4*100*40MM	1PCS

Specification: Table & Chair 013-Table

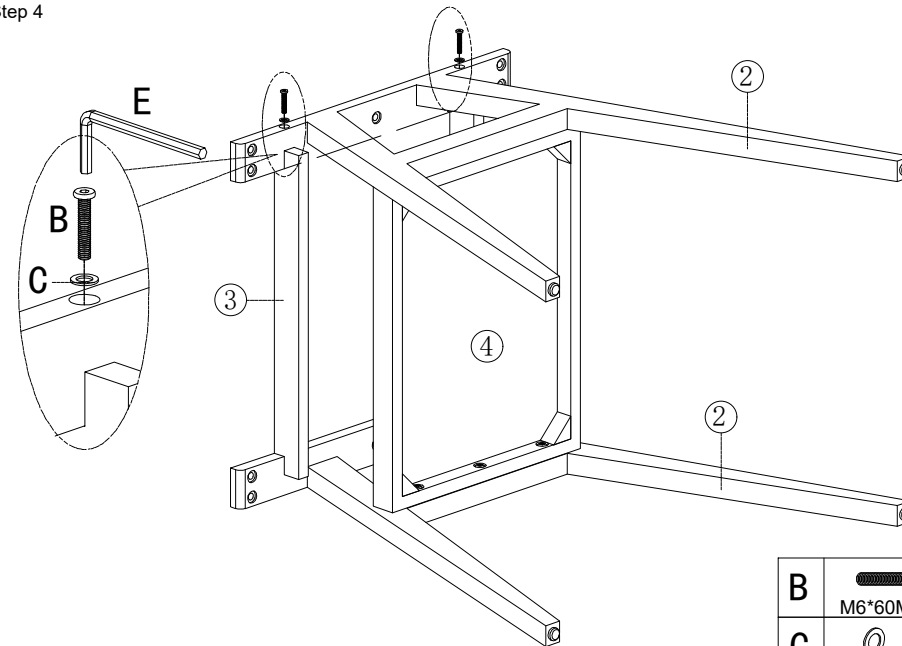
Step 3

NOTE: Screws will not lock completely

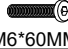
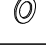
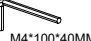


A	 M6*30MM	3PCS
C	 M6MM	3PCS
E	 M4*100*40MM	1PCS

Step 4



Note: After all holes are aligned, tighten all untightened screws all the way.

B	 M6*60MM	2PCS
C	 M6MM	2PCS
E	 M4*100*40MM	1PCS