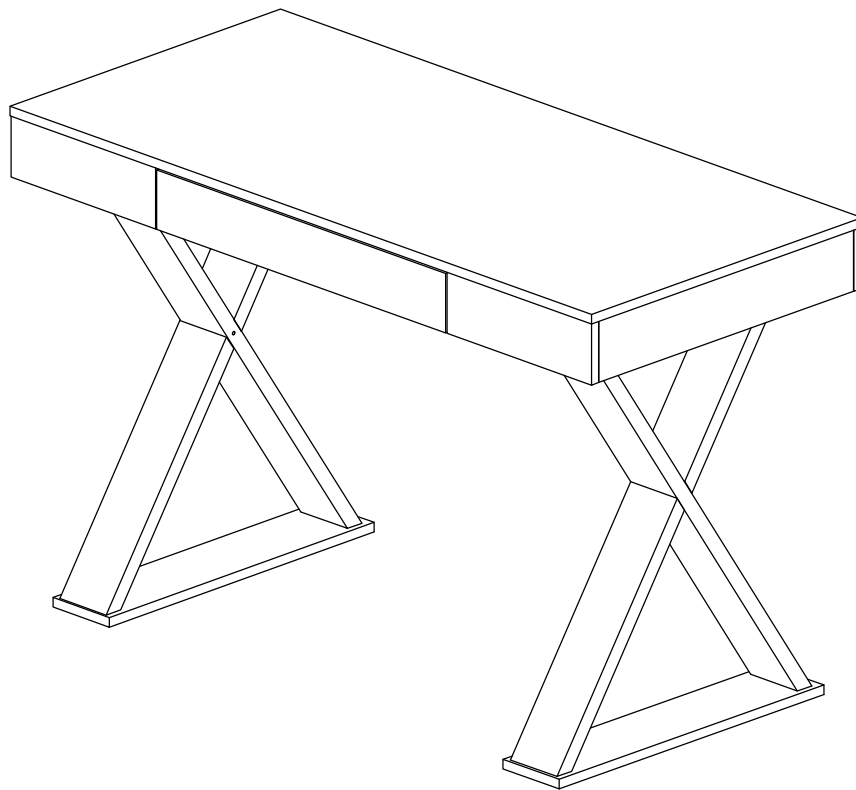
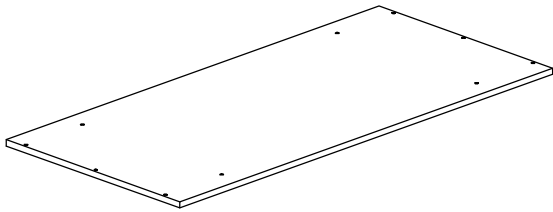
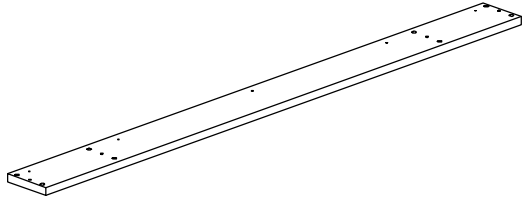
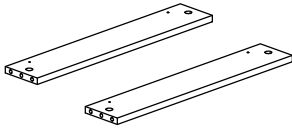
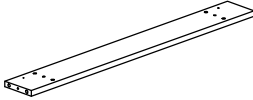
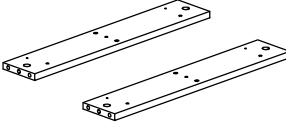
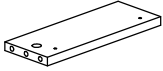

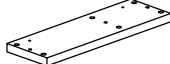
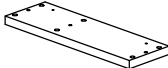
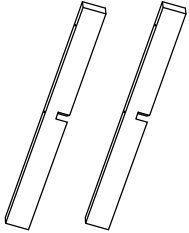
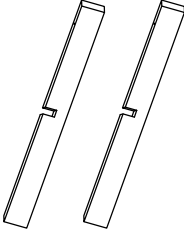
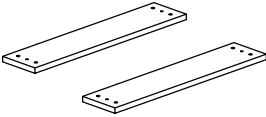
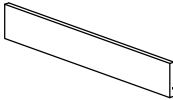
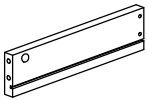
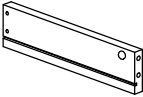

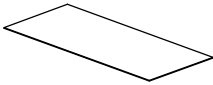


## ASSEMBLY INSTRUCTIONS



Thank you for purchasing our product!

**MAIN PARTS LIST**

<p><b>A</b> Tabletop</p> 	<p><b>B</b> Back</p> 		
<p><b>C</b> Sides (Exterior) x2</p> 	<p><b>D</b> Middle (Partition)</p> 	<p><b>E</b> Sides (Interior) x2</p> 	<p><b>F</b> Left Support</p> 
<p><b>G</b> Right Support</p> 	<p><b>H</b> Left Front</p> 	<p><b>I</b> Right Front</p> 	<p><b>J</b> Cross Legs (Ext) x2</p> 
<p><b>K</b> Cross Legs (Int) x2</p> 	<p><b>L</b> Legs bases x2</p> 	<p><b>M</b> Drawer Front</p> 	<p><b>N</b> Drawer Left</p> 
<p><b>O</b> Drawer Right</p> 	<p><b>P</b> Drawer Back</p> 	<p><b>Q</b> Drawer Bottom Board</p> 	



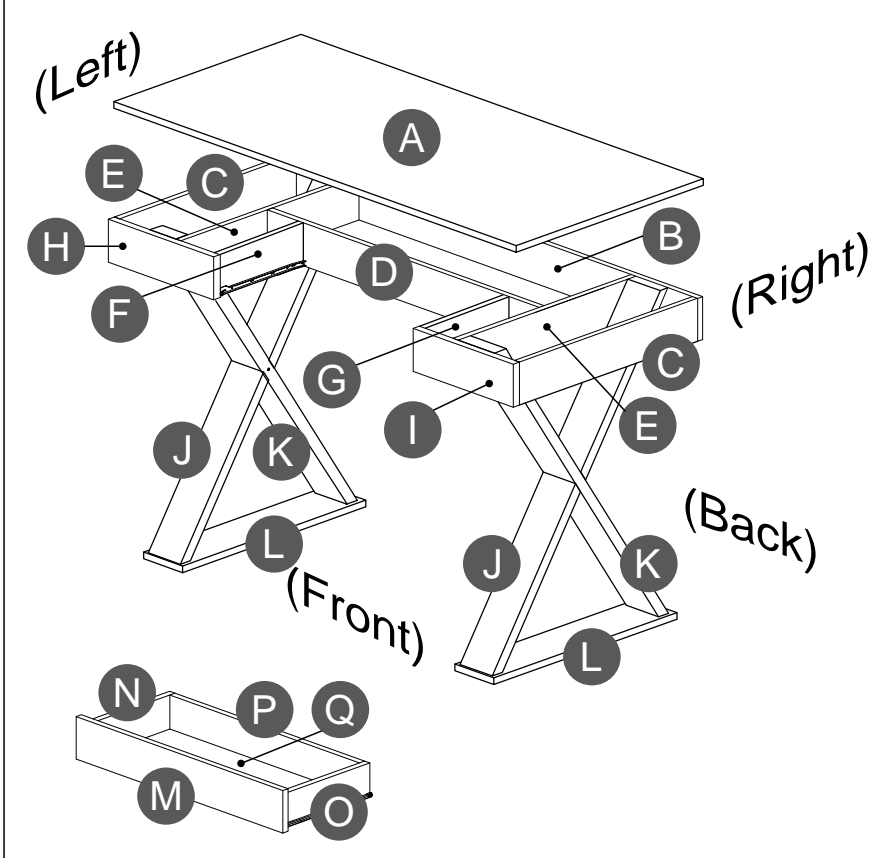
**For Support, Assembly Questions & Replacement Parts Within the 48 Contiguous United States:**

Please email us



Replacement Parts for International Customers & **AK-HI-PR** orders:  
RTA Products will replace the part free of charge, while **the customer is responsible for shipping costs plus any International local taxes or duties.**

Main parts Layout (For Reference)



Hardware

No.	Item	Qty.	No.	Item	Qty.
1	Dowels	48 Pcs	6	5x38mmx14	12 Pcs
2	Bolt +  Cam Lock	12 Sets	7	Cam lock Caps	2 Pcs
3	5x8mm	4 Pcs	8	Glides	8 Pcs
4	3.5x15mm	50 Pcs	9	4x65mm	2 Pcs
5	4x38mm	4 Pcs	10	Bracket	23 Pcs
12	Drawer Sliders, Set of 4 pcs.	1 Set	11	Screw Caps	2 Pcs

Tools required (Not included)

Phillips Screwdriver		
Hammer or mallet	Or:	



**Bolt**

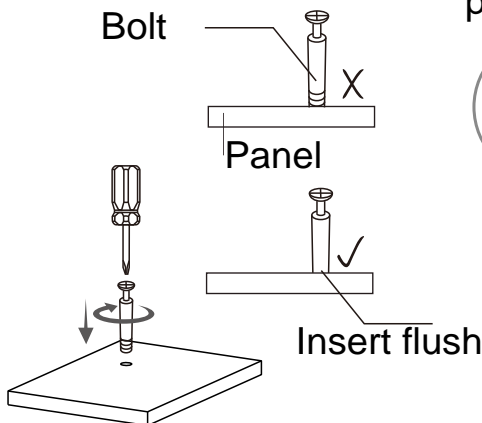


**Cam lock**

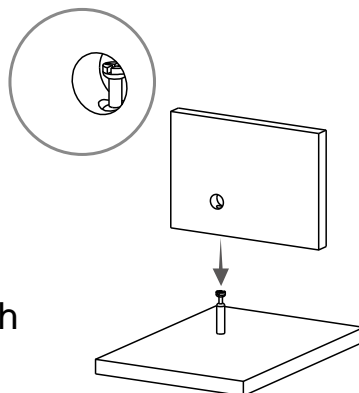
In some of the assembly steps you will use bolts and cam locks (also known as mini-fix). If you are not familiar with this kind of hardware, the below is a tutorial that explains how to use them.

The instructions below are **ONLY A TUTORIAL** for bolts and cam locks. The actual assembly starts on the next page.

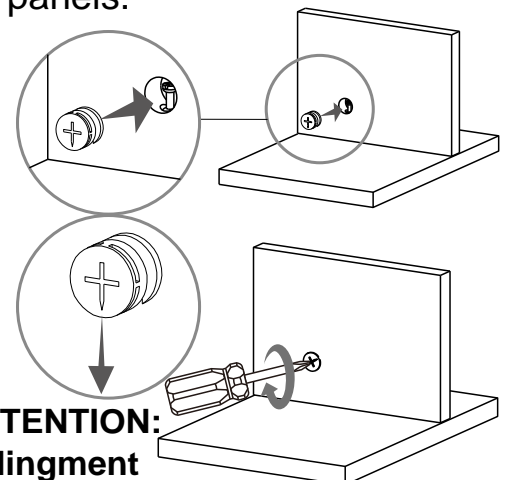
1. Install the bolt into the first panel.



2. Join the second panel by inserting it into the bolt of the first panel.



3. Insert the cam lock and turn it to lock both panels.


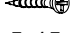
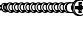
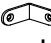


**ASSEMBLY STEPS**

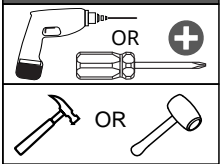
**WE RECOMMEND TO PLACE THE PIECES OVER BLANKETS OR TABLECLOTHS TO PROTECT THEIR FINISH DURING ASSEMBLY.**

**STEP 1**

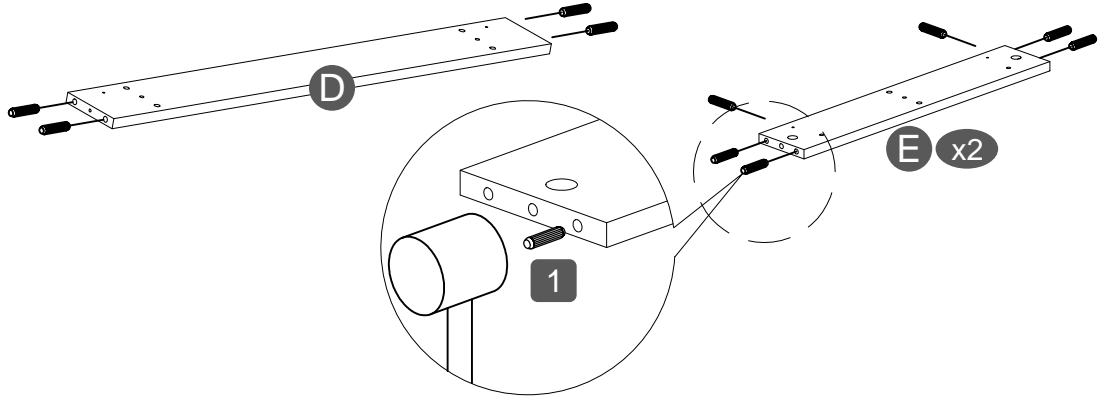
**Hardware**

1		16
	Dowels	Pcs
4		6
	3.5x15mm	Pcs
6		2
	5x38mmx14	Pcs
10		6
	Bracket	Pcs

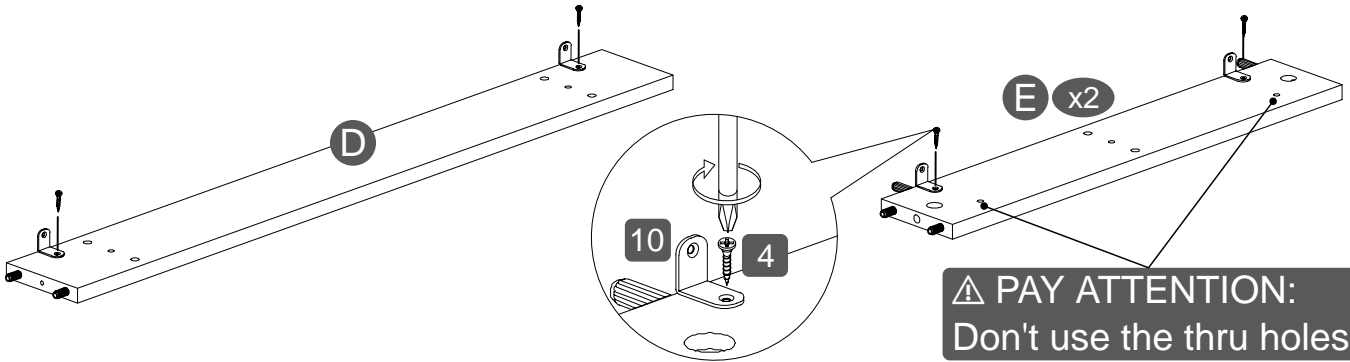
**Tools (Not included)**



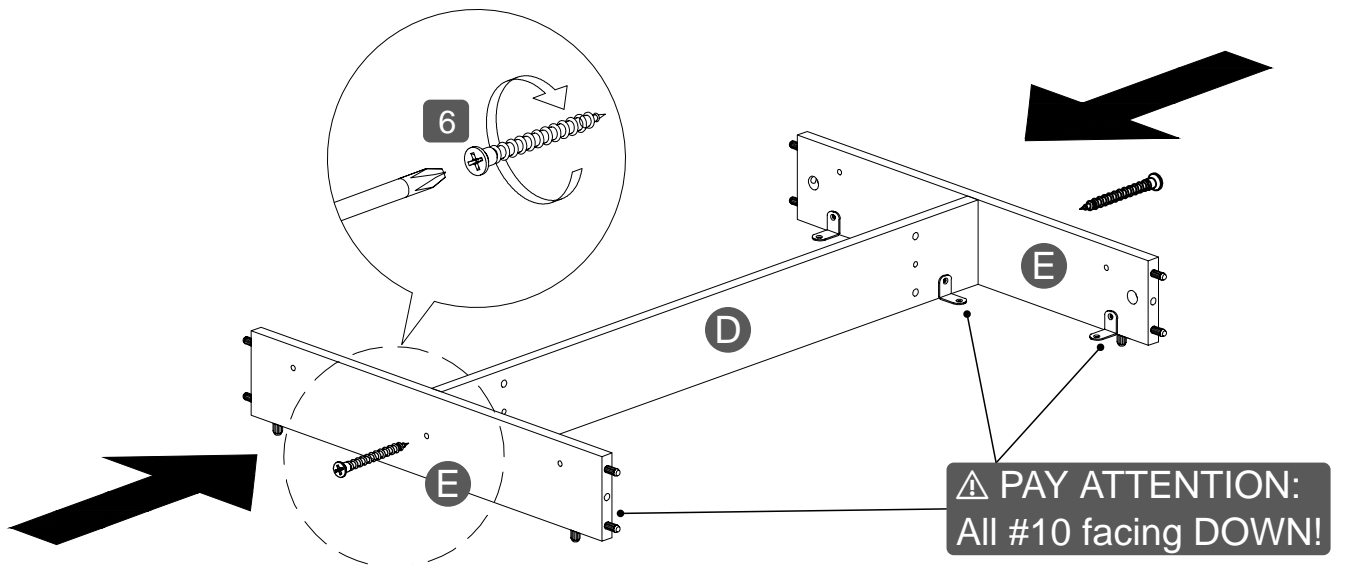
**FIRST:** Install #1 into the indicated holes on D and E.



**THEN:** Install #10 with #4 at the indicated edges on D and E.



**LAST:** Attach E to D with #6.

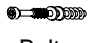


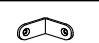


## ASSEMBLY STEPS

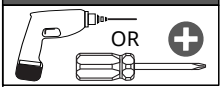
### STEP 2

#### Hardware

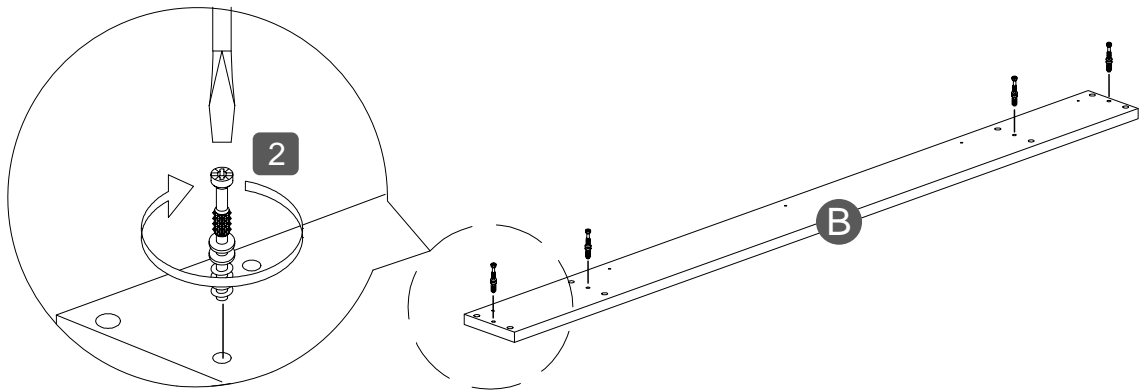
This step requires of  2 persons

2		4
	Bolts	Pcs
2		2
	Cam Lock	Pcs
4		5
	3.5x15mm	Pcs
10		5
	Bracket	Pcs

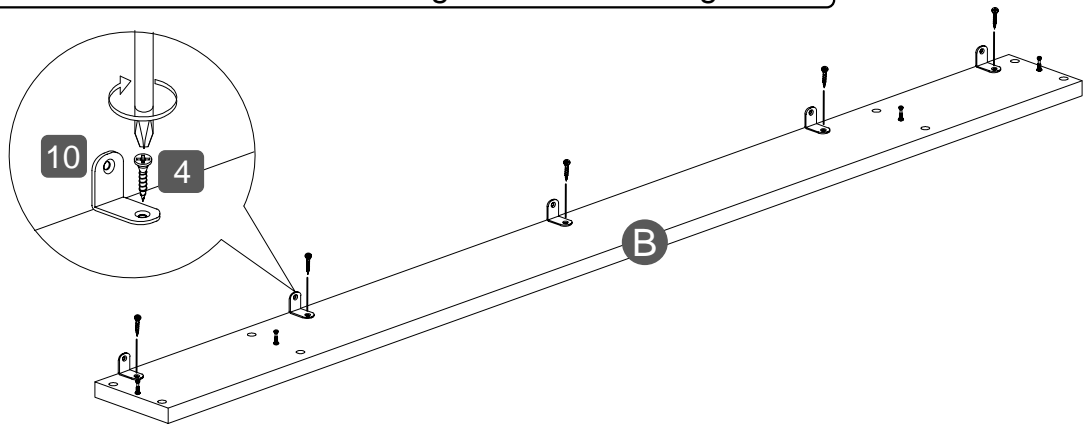
Tools (Not included)



FIRST: Install bolts #2 into the indicated holes on B.

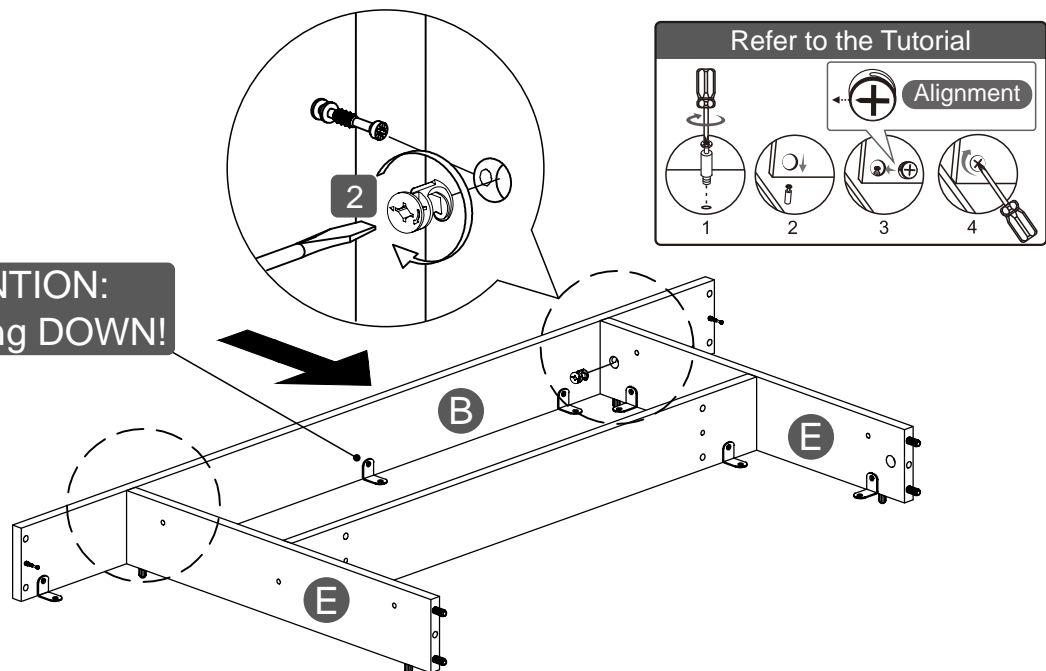


THEN: Install #10 with #4 along the indicated edge on B.



LAST: Assemble B to E with cam locks #2 as explained earlier in the Tutorial.

**⚠ PAY ATTENTION:**  
#10 on B facing DOWN!




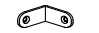


**ASSEMBLY STEPS**

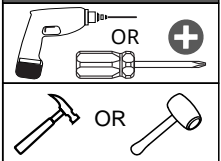
**STEP 3**

**Hardware**

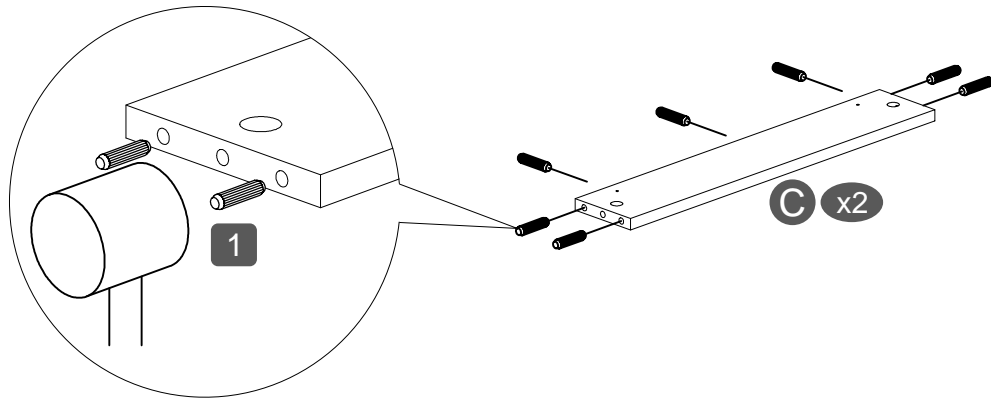
This step requires of  2 persons

1		14 Pcs
2		2 Pcs
4		4 Pcs
10		4 Pcs

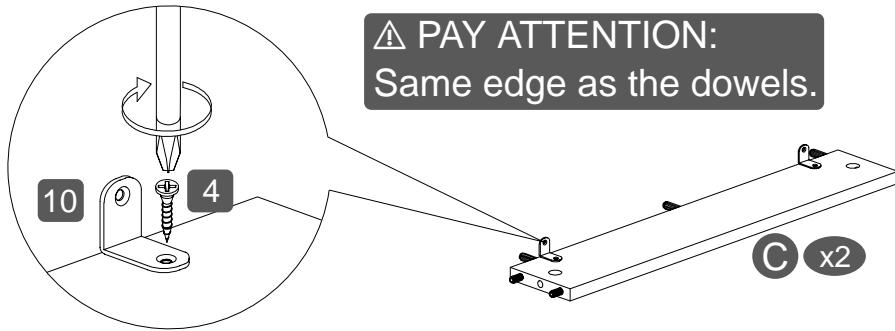
**Tools (Not included)**



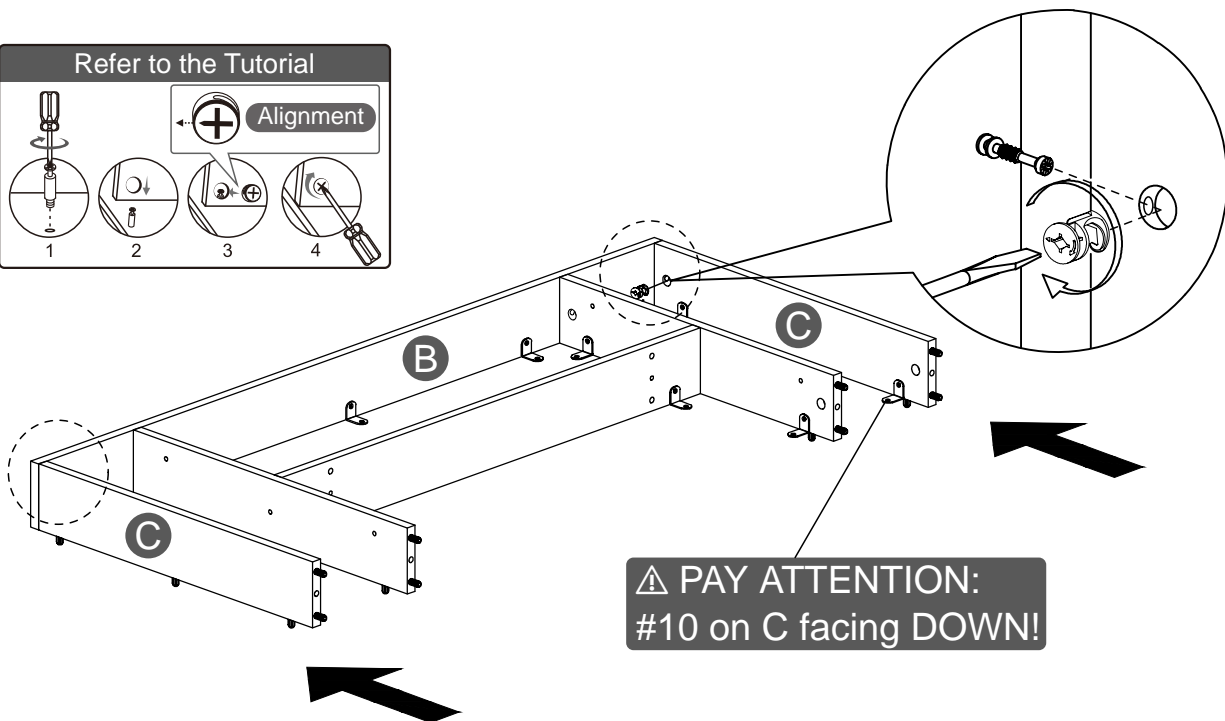
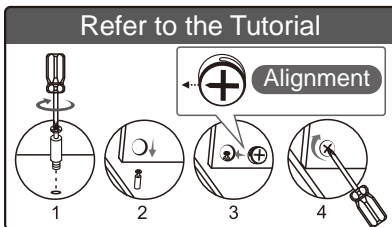
**FIRST:** Install #1 into the indicated holes on C.



**THEN:** Install #10 with #4 along the indicated edge on C.







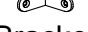
**LAST:** Assemble C to B with cam locks #2 as explained earlier in the Tutorial.



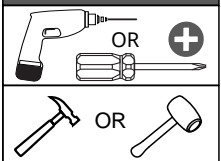
## ASSEMBLY STEPS

### STEP 4

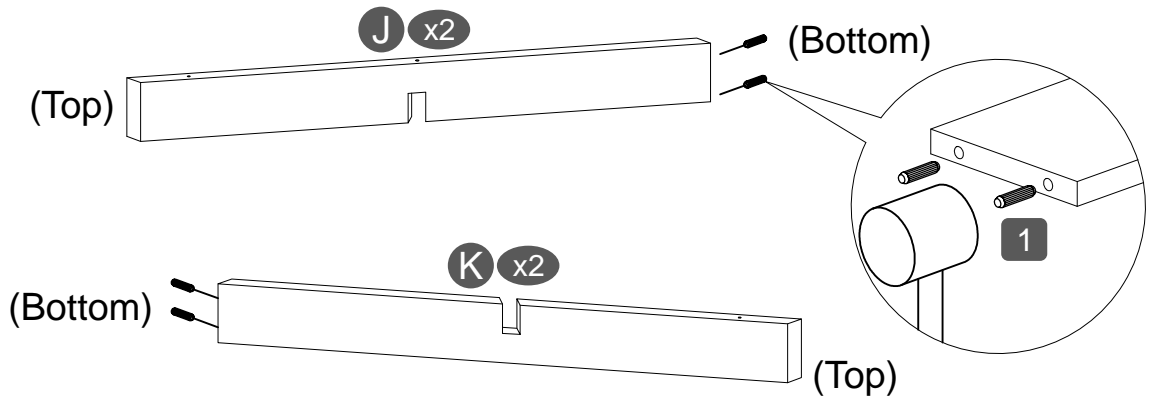
#### Hardware

1		8
	Dowels	Pcs
4		4
	3.5x15mm	Pcs
8		8
	Glides	Pcs
9		2
	4x65mm	Pcs
10		4
	Bracket	Pcs

#### Tools (Not included)

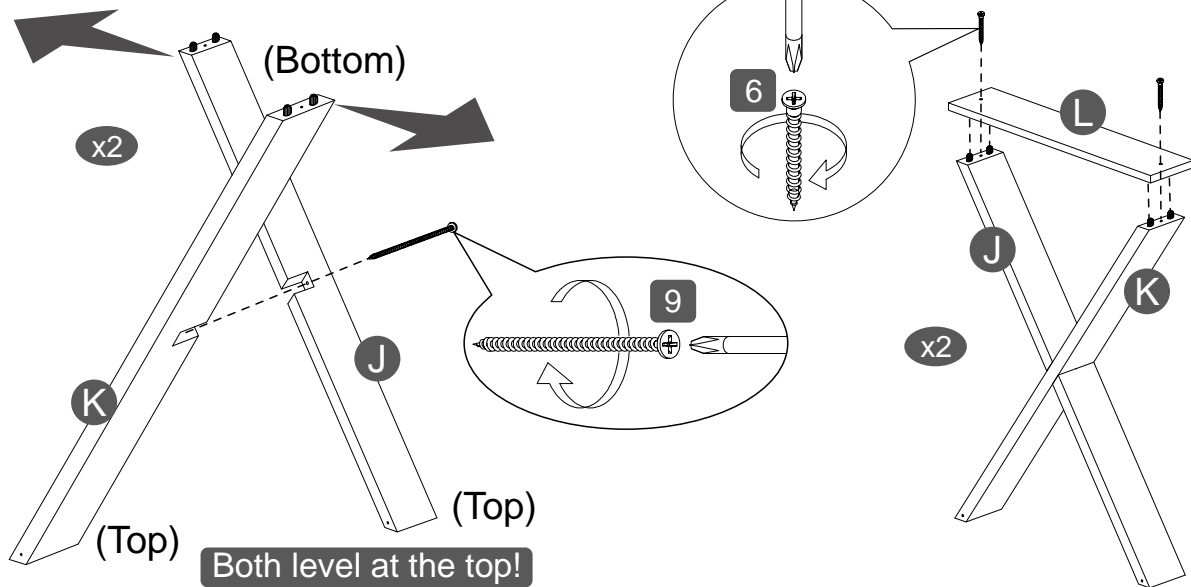


FIRST: Install #1 into the bottom ends of J and K.

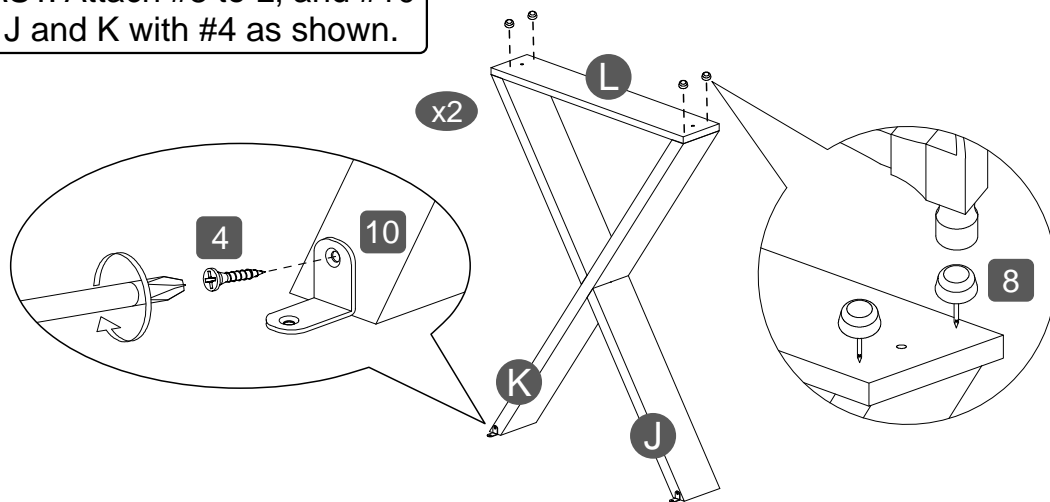


THEN: Join J and K with #9 criss-crossed as shown.

THEN: Attach L to J and K with #6.



LAST: Attach #8 to L, and #10 to J and K with #4 as shown.

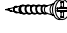


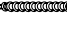
**ASSEMBLY STEPS**

**STEP 5**

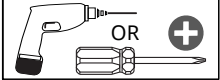
This step requires of 2 persons 

**Hardware**

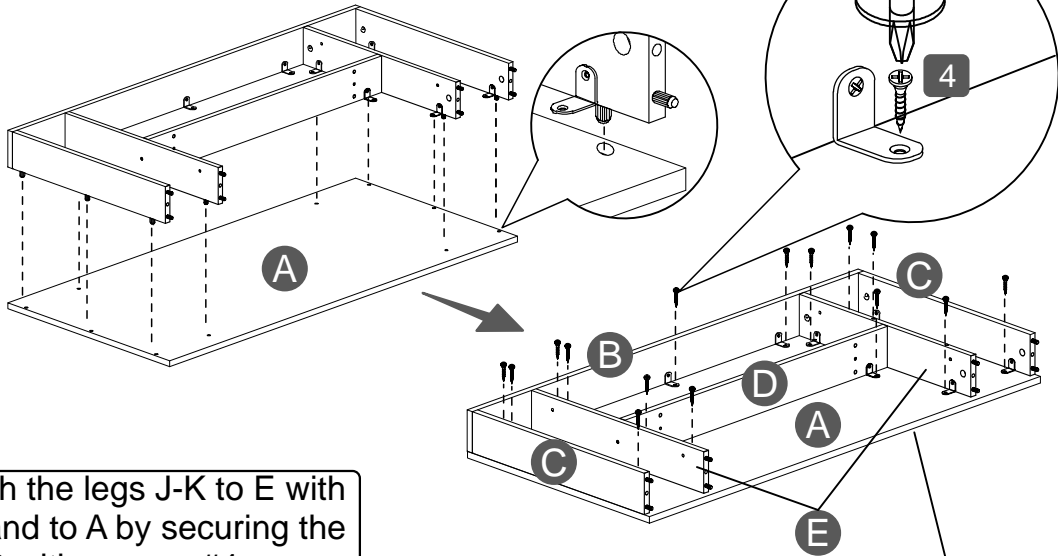
4  19  
3.5x15mm Pcs

6  4  
5x38mmx14 Pcs

**Tools (Not included)**

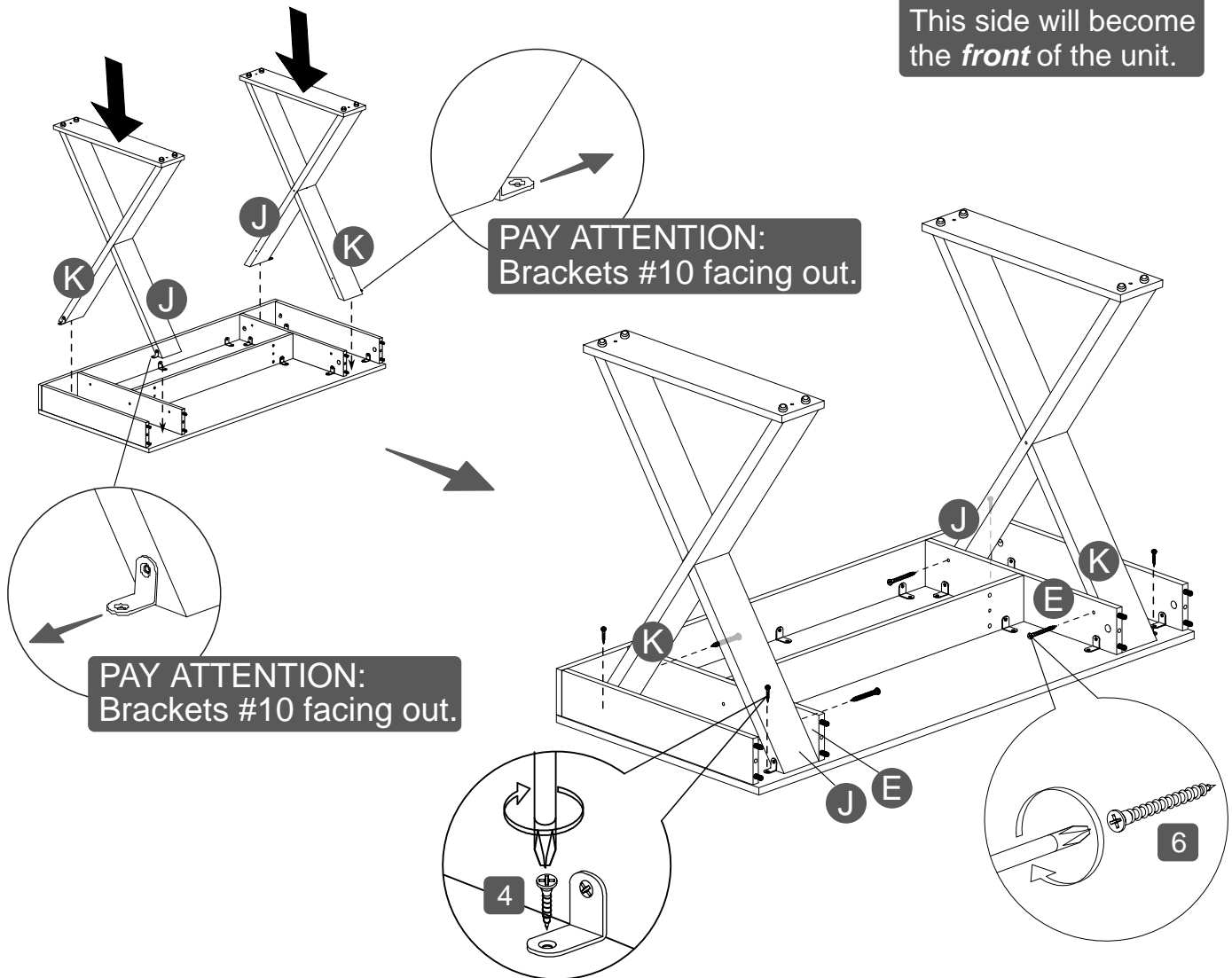


**FIRST:** Attach the frame to the tabletop A by securing the brackets #10 with screws #4.



**THEN:** Attach the legs J-K to E with screws #6, and to A by securing the brackets #10 with screws #4.

**NOTE:**  
This side will become the *front* of the unit.





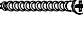

**PAY ATTENTION:**  
Brackets #10 facing out.

**PAY ATTENTION:**  
Brackets #10 facing out.

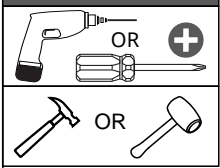
**ASSEMBLY STEPS**

**STEP 6**

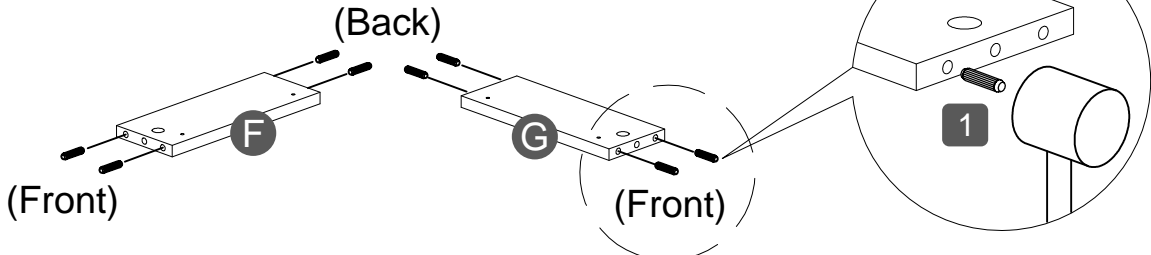
**Hardware**

1		8
	Dowels	Pcs
3		4
	5x8mm	Pcs
6		2
	5x38mmx14	Pcs
12		2
	"Flat" pieces	Pcs

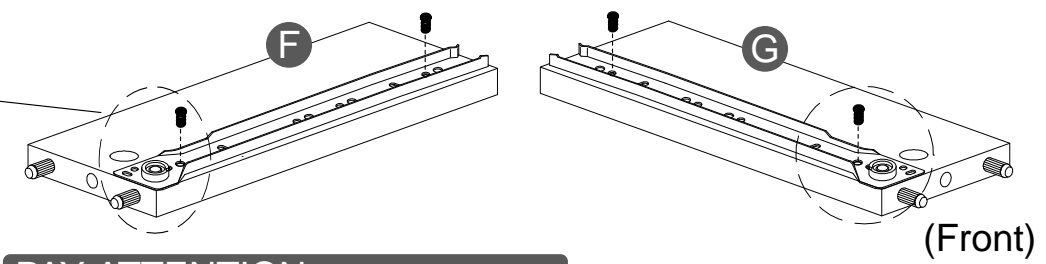
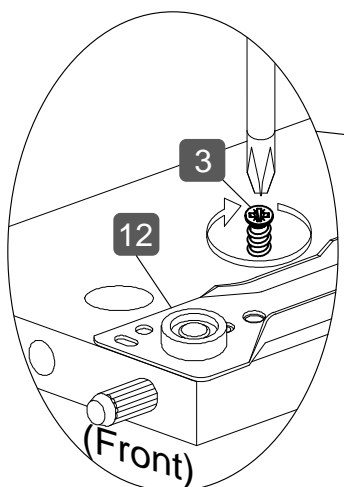
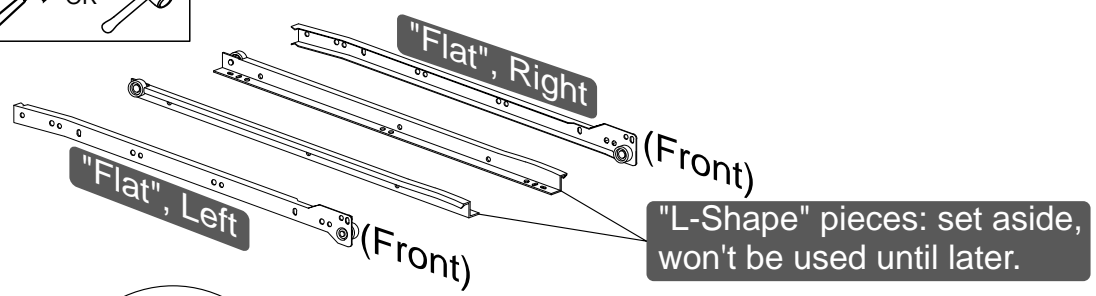
**Tools (Not included)**



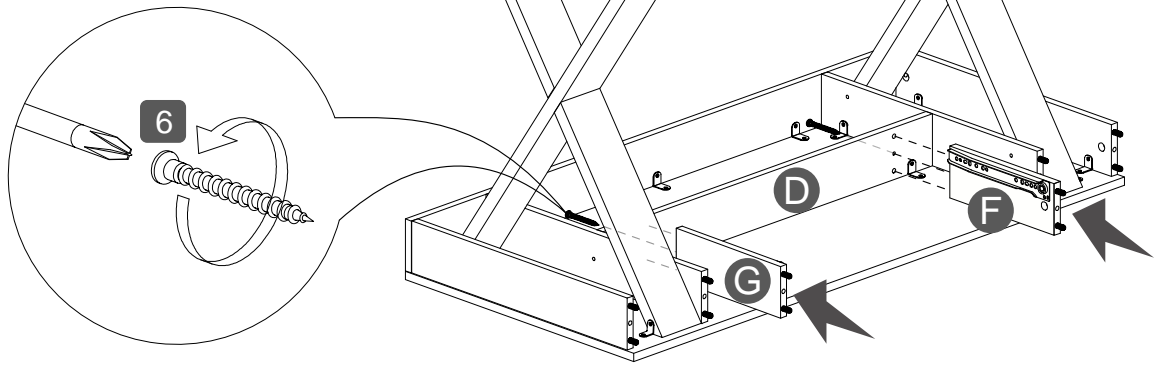
**FIRST:** Insert #1 into F and G.



**THEN:** From the set of sliders #12, attach the "flat" pieces to F and G with euro screws #3.





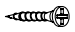

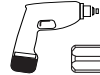
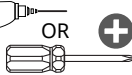

**LAST:** Attach F and G to D with #6.



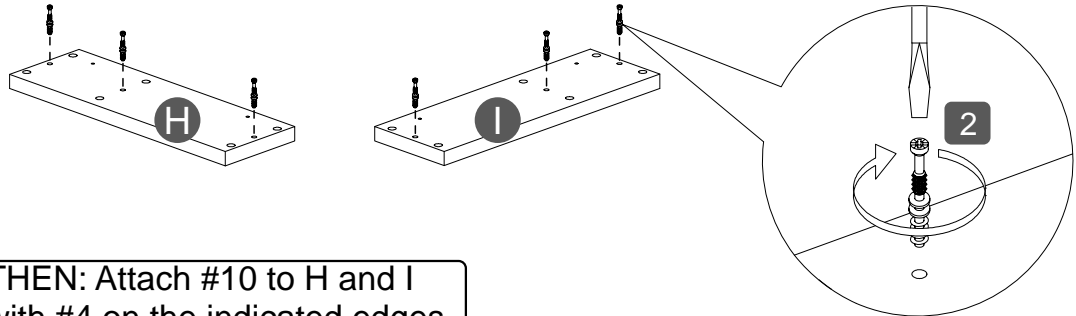
**ASSEMBLY STEPS**

**STEP 7**

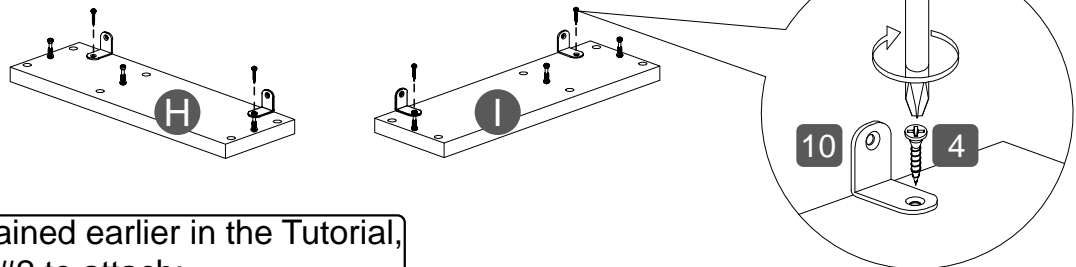
**Hardware**

2		6 Sets
	Bolt	
4		4
	Cam Lock	
4		4
	3.5x15mm	
10		4
	Bracket	
Tools (Not included)		
 OR  		

**FIRST:** Attach bolts #2 to H and I into the indicated holes.

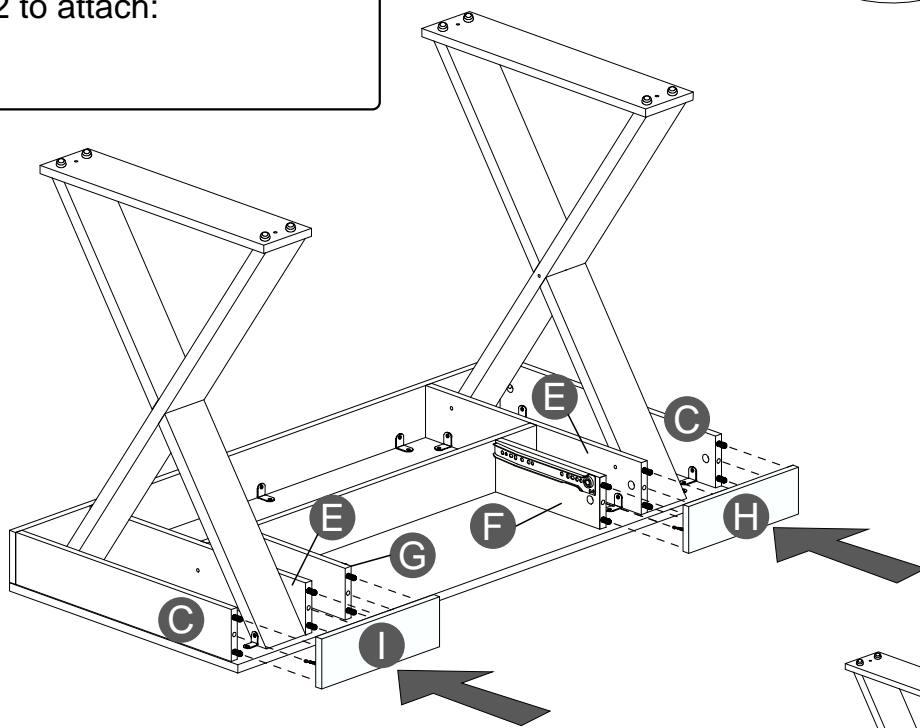


**THEN:** Attach #10 to H and I with #4 on the indicated edges.



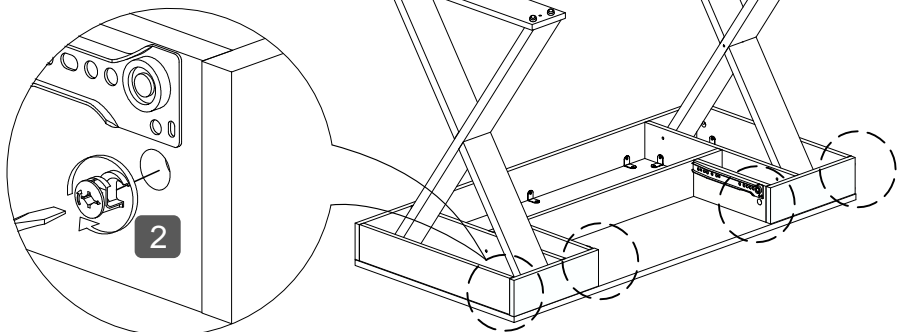
**THEN:** As explained earlier in the Tutorial, use cam locks #2 to attach:

- H to C-E-F;
- I to C-E-G.



Refer to the Tutorial

Alignment



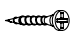
## ASSEMBLY STEPS

## STEP 8

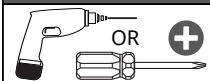
This step  
requires of  
2 persons



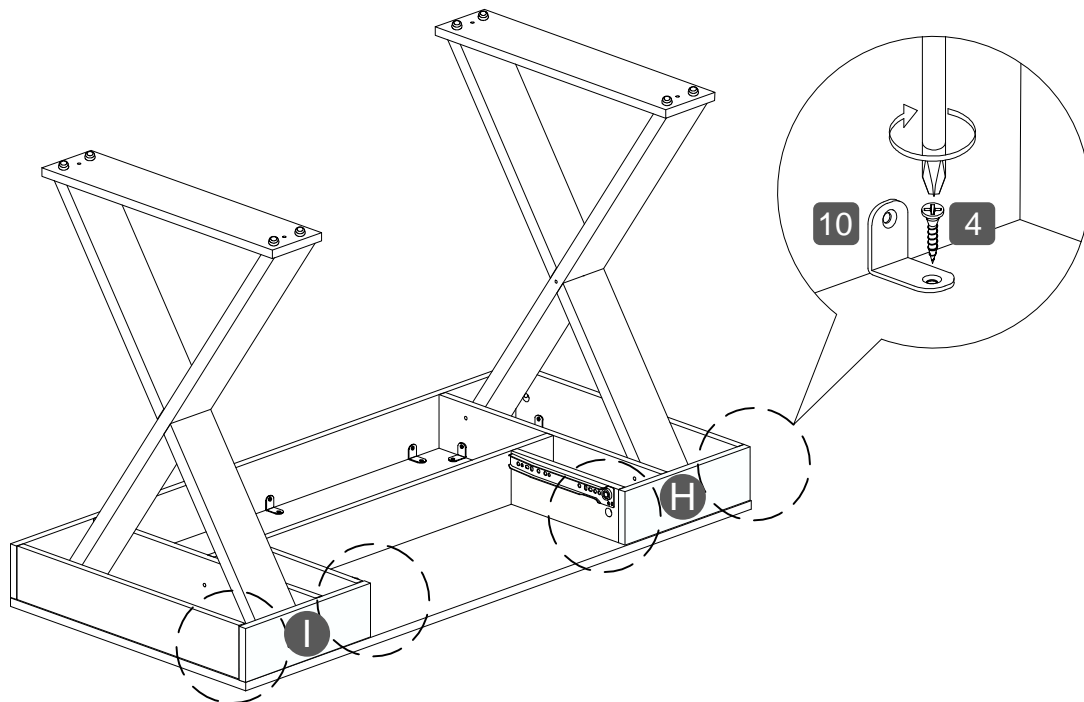
## Hardware

4  4  
3.5x15mm Pcs

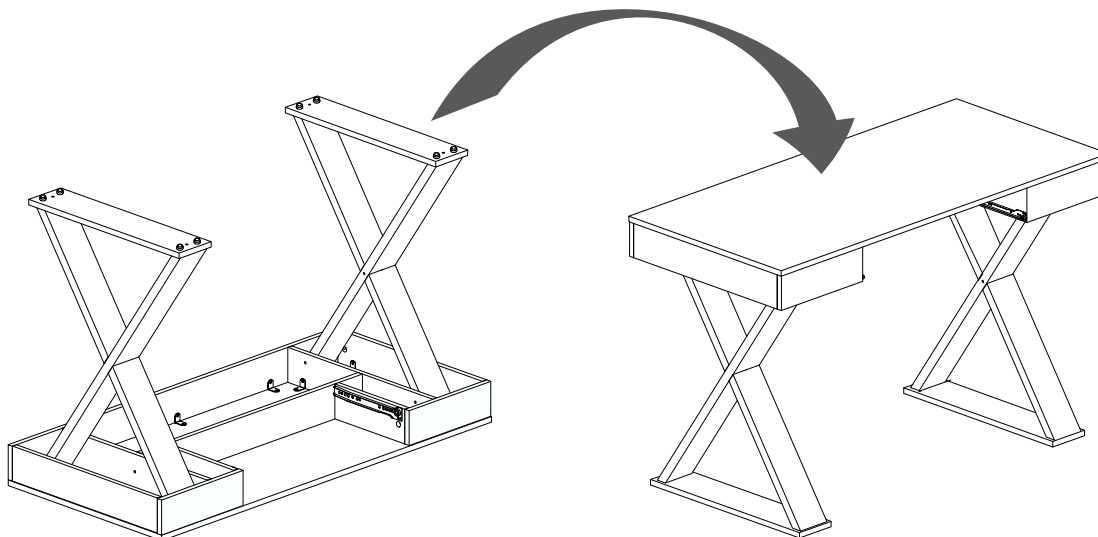
Tools (Not included)



FIRST: Secure the brackets of H and I to A with #4.



THEN: Flip the unit upright.

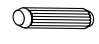




**ASSEMBLY STEPS**

**STEP 9**




**Hardware**



This step requires of 2 persons 

1  2 Pcs  
Dowels

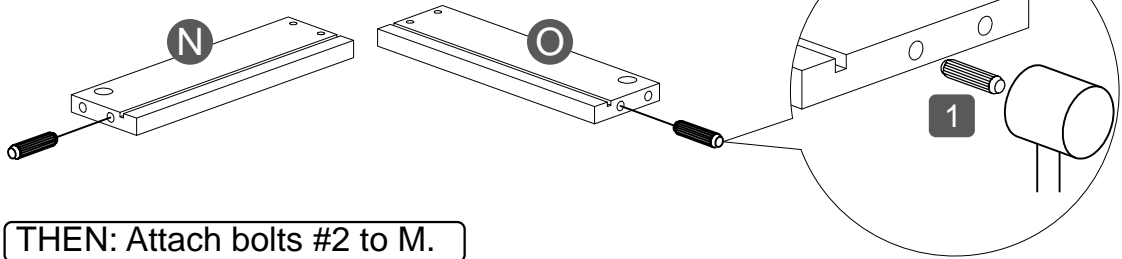
2  +  2 Sets  
Bolt  
+  
Cam Lock

**Tools (Not included)**

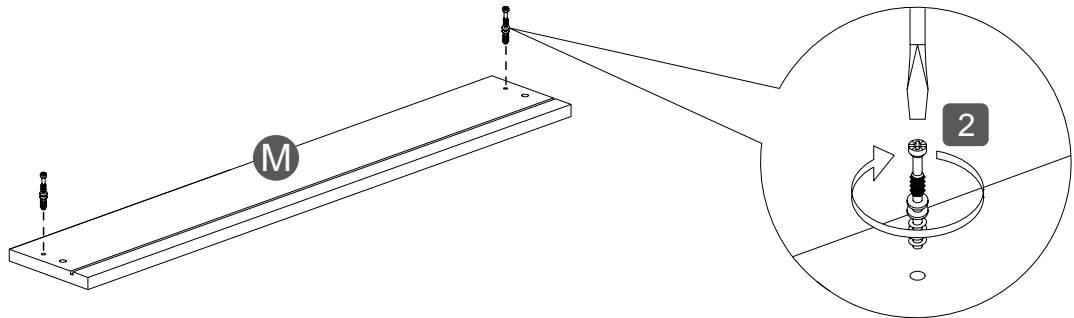
 OR  + 

 OR 

**FIRST: Attach #1 to N and O.**

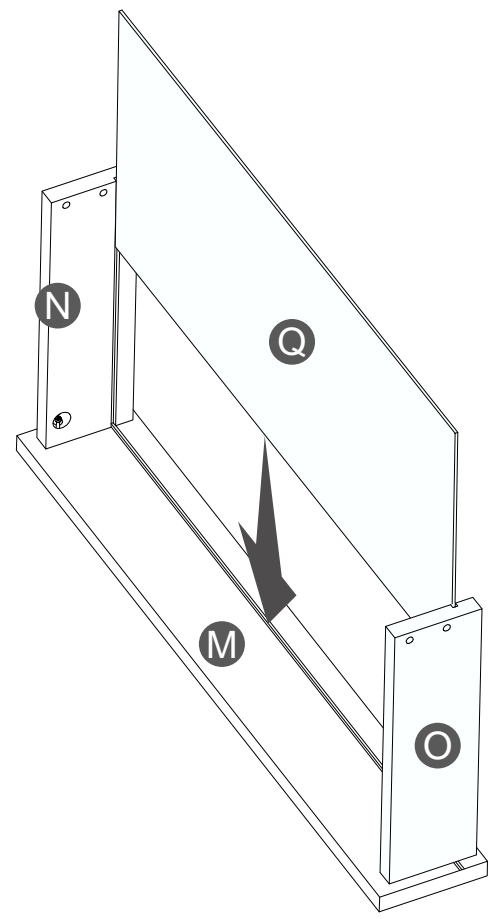
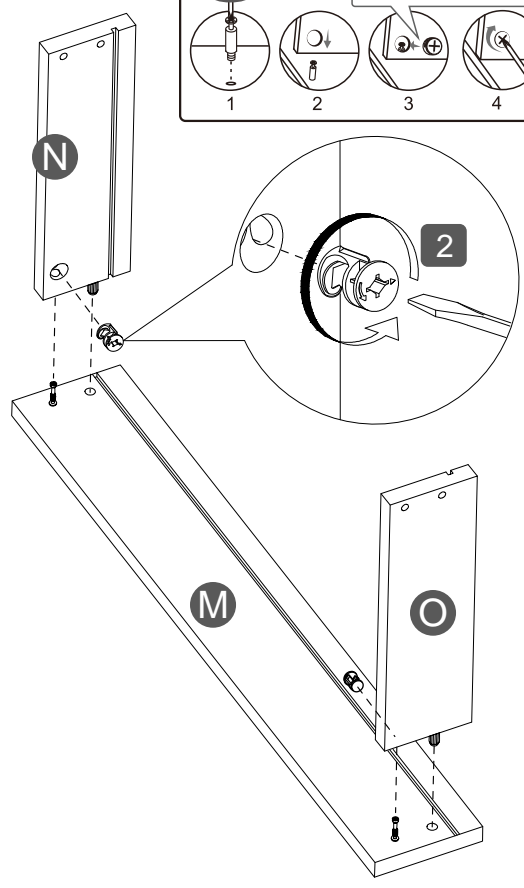
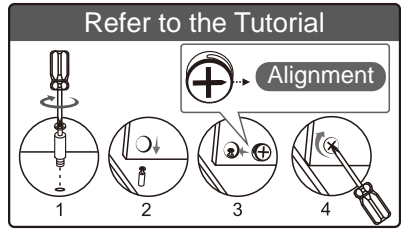


**THEN: Attach bolts #2 to M.**



**THEN: Attach N and O to M with cam locks #2 as explained earlier in the Tutorial.**

**LAST: Slide Q through the grooves of N, O and into the groove of M.**



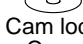

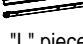


**ASSEMBLY STEPS**

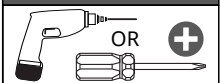
**STEP 10**

**Hardware**

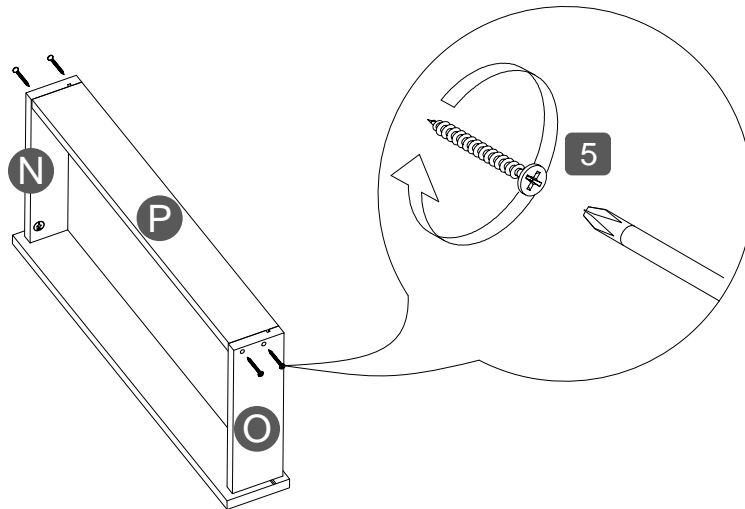
This step requires of  2 persons

4		4
	3.5x15mm	Pcs
5		4
	4x38mm	Pcs
7		2
	Cam lock Caps	Pcs
11		2
	Screw Caps	Pcs
12		2
	"L" pieces	Pcs

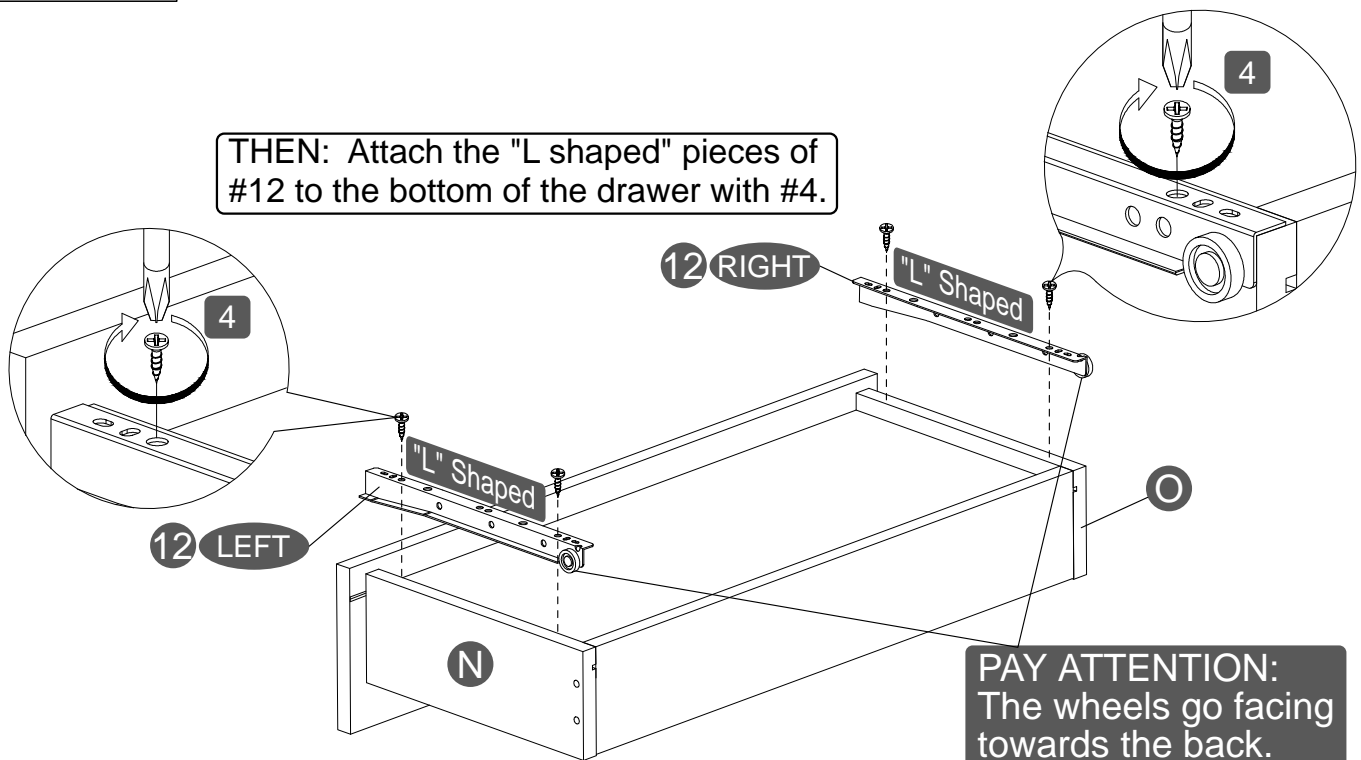
**Tools (Not included)**



**FIRST:** Attach P to N and O with #5.

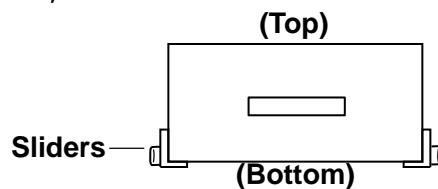


**THEN:** Attach the "L shaped" pieces of #12 to the bottom of the drawer with #4.

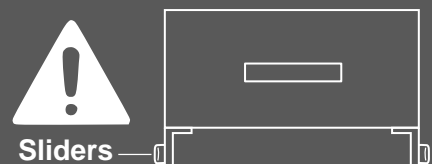


**⚠ PAY ATTENTION!**

When done, the sliders will look like this:





If you install as shown below, the drawer raises 1" and won't fit!



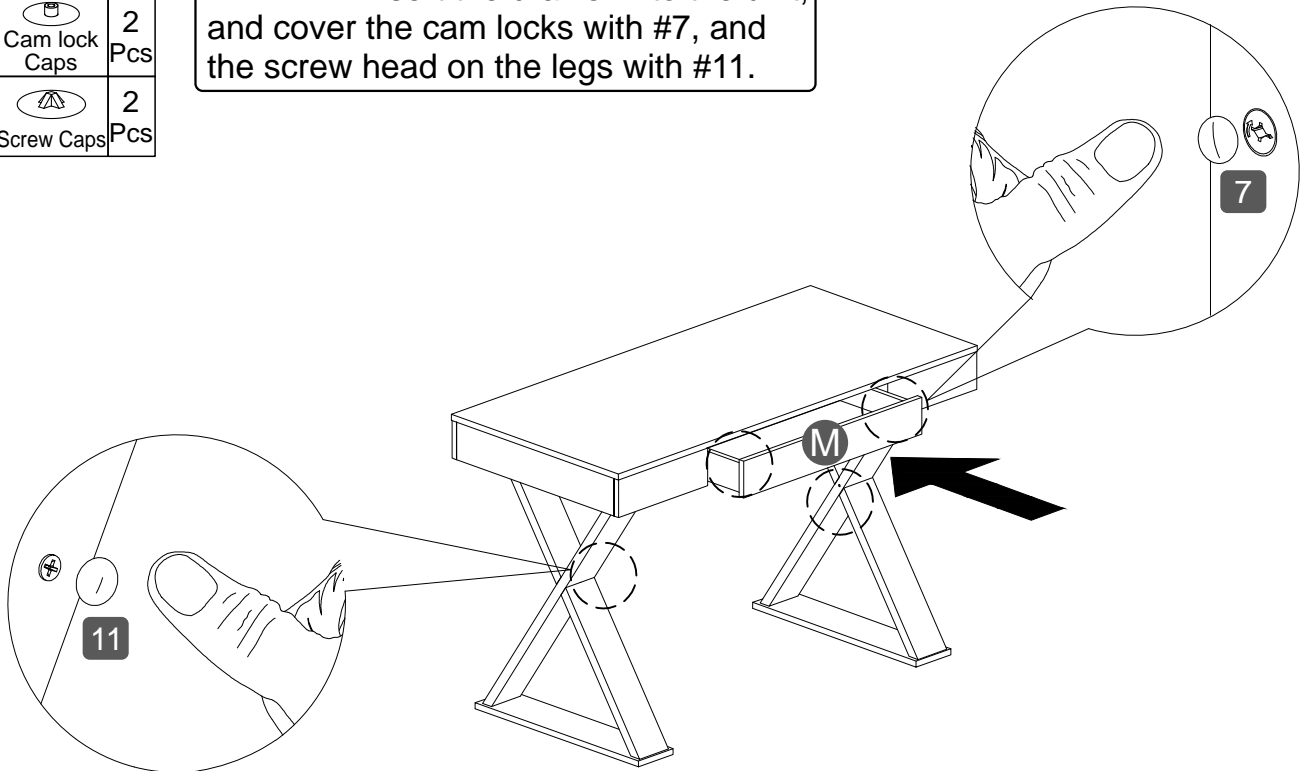
## ASSEMBLY STEPS

## STEP 11

## Hardware

7	 Cam lock Caps	2 Pcs
11	 Screw Caps	2 Pcs

FINALLY: Insert the drawer into the unit, and cover the cam locks with #7, and the screw head on the legs with #11.



# ALL DONE!

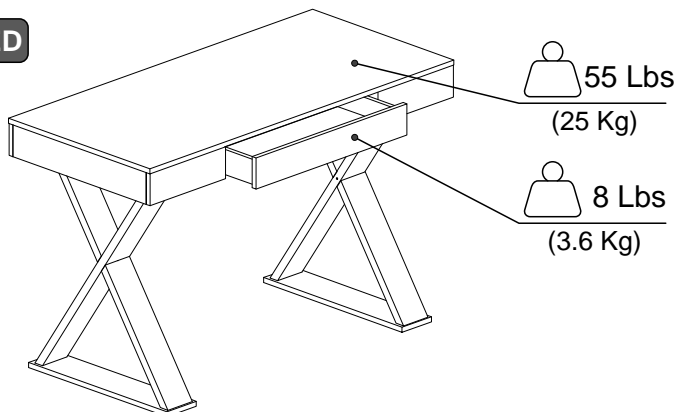
Give yourself a nice pat on the back, you did a great job!

Please read the warnings on the next page before using the product.

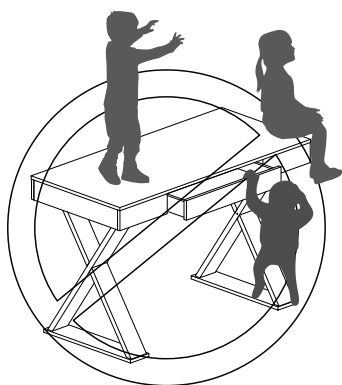
## WARNINGS

Not paying attention to the following warnings could result in injuries.

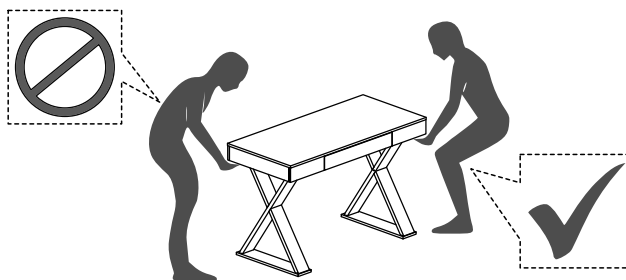
### WEIGHT LIMITS - DO NOT EXCEED



- Do not sit, climb or stand on the Unit.
- Do not allow children to play over or below the unit.



- 2 persons are required for moving the unit at distances longer than 2 feet.
- Remove or secure any objects that are heavy or might fall off during moving.
- Lift by bending your knees, not your backs.

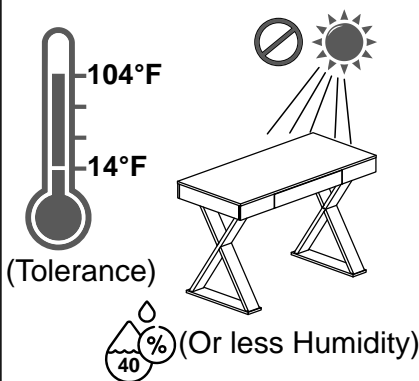


## CARE AND MAINTENANCE

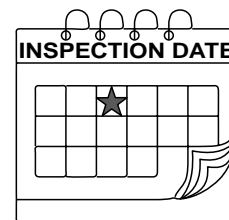
- Clean with a cloth lightly damped in a solution of mild soap and water.
- Do not use solvents or abrasive materials.



Do not expose to direct sunlight or extreme environmental conditions.



Inspect and re-tighten any loose screws every 4 months.



## LIMITED WARRANTY

To file a claim or request information, please email to us