











Assembly Instructions

Caution: You must read these Assembly Instructions before you proceed

Care & Maintenance

- ⊘  ● Not for commercial use. For residential use only.
- ✓  ● Furniture may scratch floors. We recommend using furniture pads to protect your floors.
- ⊘  ● Do not put hot items directly on furniture surface.
- ⊘  ● Do not clean furniture with harsh cleansers or polish.
- ⊘  ● Do not place furniture under direct sunlight.
- ⊘  ● Do not place furniture near heating or cooling vents.
- ⊘  ● Do not write on furniture without a padded barrier to protect the surface.
- ⊘  ● Do not place furniture outside . For indoor use only.
- ⊘  ● Stains may be removed with mild soap solution and damp cloth.
- ⊘  ● Children should not climb or jump on the furniture.



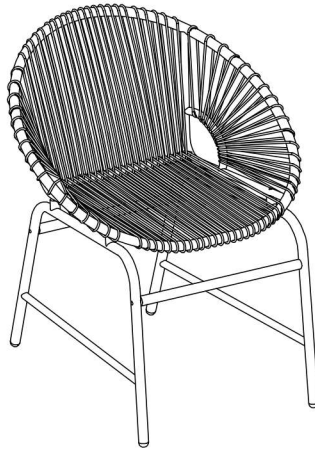
- Dust and pick-up spills using a clean, non-colored, lint-free cloth.

Please look in carton for hardware packs and legs.
Sets often ship in multiple boxes and may arrive a day or two apart.


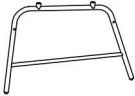


Assembly Instructions

CAUTION: You must read this Assembly Instructions before you proceed




CHAIR






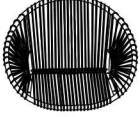
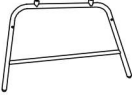


Part List






Label	Picture	Description	QTY
A		Seat frame	1
B		Legs	2
C		Front braced	1
D		Back braced	1

Hardware

Label	Picture	Description	QTY
①		Bolt (M6x30mm)	9
②		Washer (M6x15mm)	9
③		Allen Wrench	1

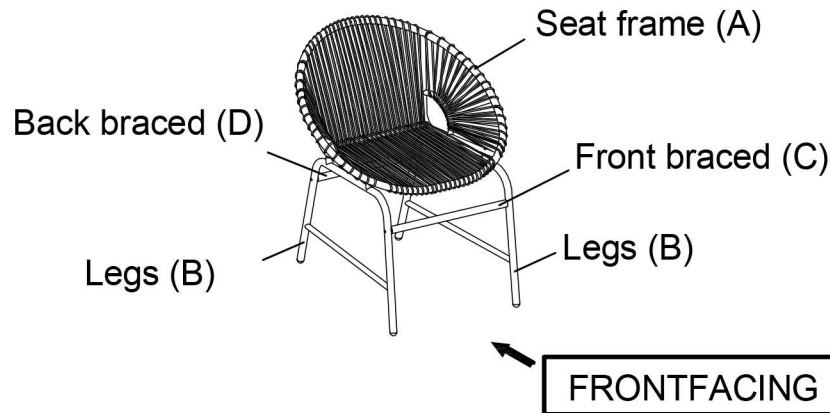
Assembly Preparation

Before Beginning Assembly:			
	①x9	②x9	③x1
			
	Ⓐx1	Ⓑx2	Ⓒx1
			
			Ⓓx1

-  • Read instructions, cover to cover-
-  • Have 2 adults on hand for assembly-
-  • Do not assemble on flooring or carpet-
-  • Assemble on a clean non-marring surface (packing foam)-
-  • Save all packaging until finished-

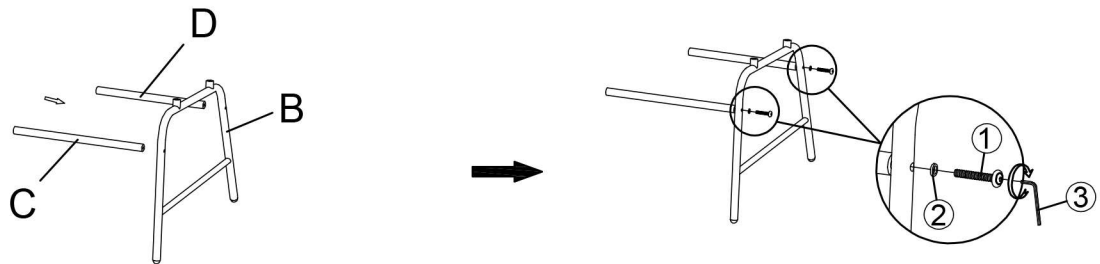
Assembly Steps

Overview



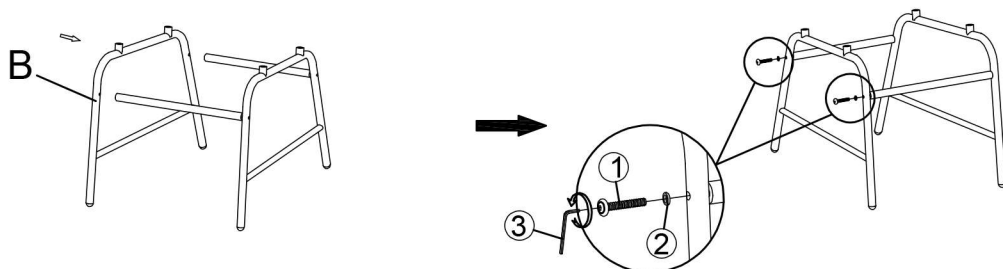
This Chair can take up to 30 minutes to assemble. To give you an overview of the table parts, the image above will give you a better idea of each part. Please read the instructions below carefully to familiarize yourself with the parts and steps before assembling.

Step 1



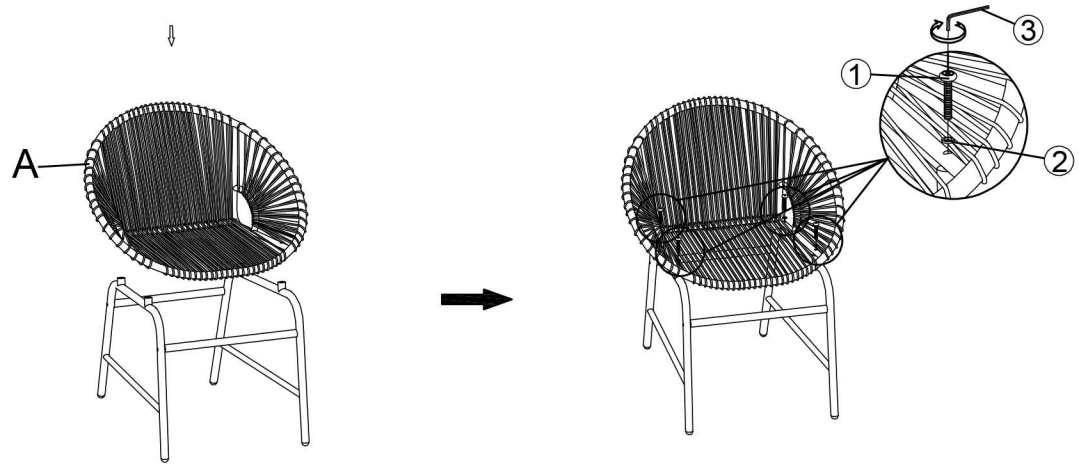
Open the carton and place all the parts onto a clean, non-marring surface. Attach Front braced (C), Back braced (D) to Legs (B) using Bolt (1) and Washer (2) with Allen Wrench (3)
Do Not fully tighten.

Step 2



Attach Front braced (C), Back braced (D) to Legs (B) using Bolt (1) and Washer (2) with Allen Wrench (3)
Do Not fully tighten.

Step 3



Attach Seat frame(A) to Legs(B) using Bolt(①) and Washer (②) with Allen Wrench(③).
Tighten all the remaining bolt.

Do Not fully tighten a bolt in one go and then move on to the next.

Rather, in a gradual and sequential manner, proceed to fully and securely tighten all Bolts at all joints.

This methodology will ensure maximum evenness once all bolts are fully tightened.

Step 4



With the assistance of an adult, turn the chair right side up.

The Chair is ready for use.

The Chair can only be used on a flat, level surface.

Questions & Answers about Proposition 65

- What is Proposition 65?

Proposition 65 requires businesses to provide warnings to Californians about significant exposures to chemicals that cause cancer, birth defects or other reproductive harm. These chemicals can be in the products that Californians purchase, in their homes or workplaces, or that are released into the environment. By requiring that this information be provided, Proposition 65 enables Californians to make informed decisions about their exposures to these chemicals.

Proposition 65 also prohibits California businesses from knowingly discharging significant amounts of listed chemicals into sources of drinking water.

Proposition 65 requires California to publish a list of chemicals known to cause cancer, birth defects or other reproductive harm. This list, which must be updated at least once a year, has grown to include approximately 900 chemicals since it was first published in 1987.

- What types of chemicals are on the Proposition 65 list?

The list contains a wide range of naturally occurring and synthetic chemicals that include additives or ingredients in pesticides, common household products, food, drugs, dyes, or solvents. Listed chemicals may also be used in manufacturing and construction, or they may be byproducts of chemical processes, such as motor vehicle exhaust.

- What does a warning mean?

If a warning is placed on a product label or posted or distributed at a workplace, a business, or in rental housing, the business issuing the warning is aware or believes that it is exposing individuals to one or more listed chemicals.

By law, a warning must be given for listed chemicals unless the exposure is low enough to pose no significant risk of cancer or is significantly below levels observed to cause birth defects or other reproductive harm.

- Where can I get more information on Proposition 65?

If you have specific questions on the administration or implementation of Proposition 65, you can contact OEHHA's Proposition 65 program at P65.Questions@oehha.ca.gov, or by phone at (916) 445-6900.