

ASSEMBLY INSTRUCTIONS
COASTER FINE FURNITURE



Fine Furniture for every stage of life

460340SVR
Twin / Full Bunk Bed

ITEM: **460340SVR**



ASSEMBLY INSTRUCTIONS

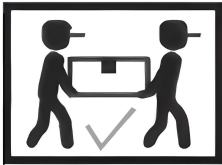
ASSEMBLY TIPS:

1. Remove hardware from box and sort by size.
2. Please check to see that all hardware and parts are present prior to start of assembly.
3. Please follow attached instructions in the same sequence as numbered to assure fast & easy assembly.



WARNING!

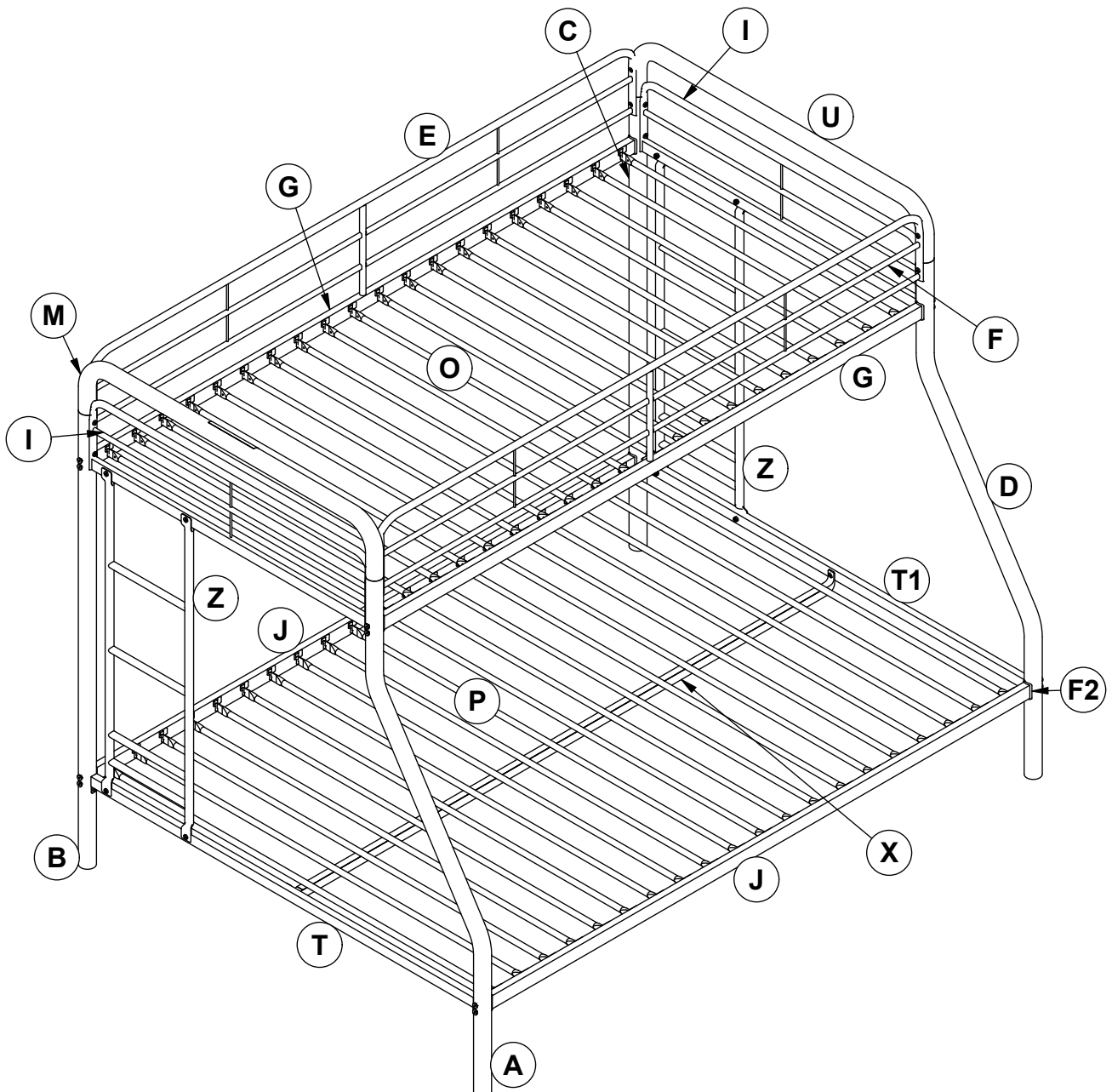
1. Don't attempt to repair or modify parts that are broken or defective. Please contact the store immediately.
2. This product is for home use only and not intended for commercial establishments.



ASSEMBLY TIME

35 MINUTES

PARTS IDENTIFICATION



ITEM: 460340SVR



ASSEMBLY INSTRUCTIONS

ASSEMBLY TIPS:

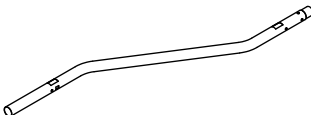
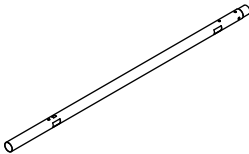
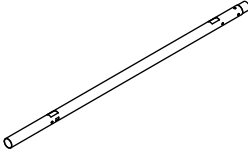
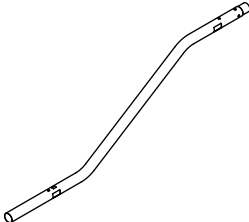
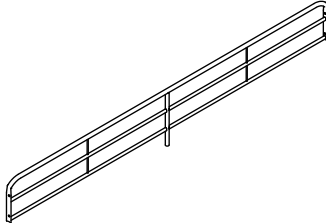
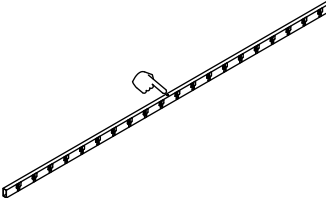
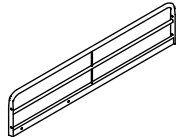
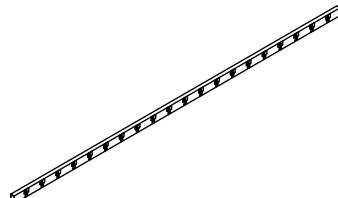
1. Remove hardware from box and sort by size.
2. Please check to see that all hardware and parts are present prior to start of assembly.
3. Please follow attached instructions in the same sequence as numbered to assure fast & easy assembly.



WARNING!

1. Don't attempt to repair or modify parts that are broken or defective. Please contact the store immediately.
2. This product is for home use only and not intended for commercial establishments.

PARTS IDENTIFICATION

A	LEFT FRONT POST (WITH LABEL "A")		1PC
B	LEFT BACK POST (WITH LABEL "B")		1PC
C	RIGHT BACK POST (WITH LABEL "C")		1PC
D	RIGHT FRONT POST (WITH LABEL "D")		1PC
E	REAR/FRONT GUARD RAIL (WITH LABEL "E")		2PCS
G	UPPER SIDE RAIL (WITH LABEL "G")		2PCS
I	END GUARD RAIL (WITH LABEL "I")		2PCS
J	LOWER SIDE RAIL (WITH LABEL "J")		2PCS

ITEM: 460340SVR



ASSEMBLY INSTRUCTIONS

ASSEMBLY TIPS:

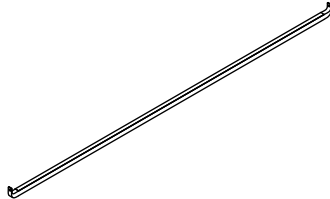
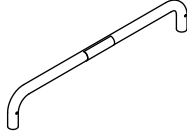
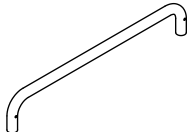
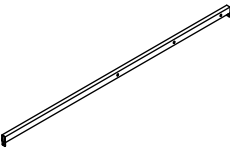
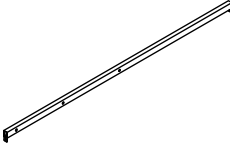
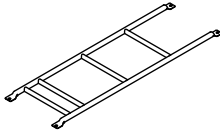
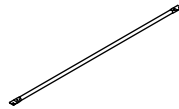
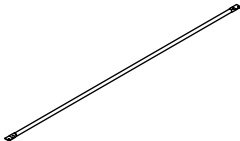

1. Remove hardware from box and sort by size.
2. Please check to see that all hardware and parts are present prior to start of assembly.
3. Please follow attached instructions in the same sequence as numbered to assure fast & easy assembly.



WARNING!

1. Don't attempt to repair or modify parts that are broken or defective. Please contact the store immediately.
2. This product is for home use only and not intended for commercial establishments.

PARTS IDENTIFICATION

K	MIDDLE BRACE (WITH LABEL "X")		1PC
M	LEFT POST RAIL (WITH LABEL "M")		1PC
U	RIGHT POST RAIL (WITH LABEL "U")		1PC
T	LEFT LOWER GUARD RAIL (WITH LABEL "T")		1PC
T1	RIGHT LOWER GUARD RAIL (WITH LABEL "T1")		1PC
V	LADDER (WITH LABEL "Z")		2PCS
O	UPPER BED SLAT (WITH LABEL "O")		20PCS
P	LOWER BED SLAT (WITH LABEL "P")		20PCS
F2	PLASTIC HOUSING (WITH LABEL "F2")		8PCS

ITEM: 460340SVR



ASSEMBLY INSTRUCTIONS

ASSEMBLY TIPS:





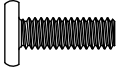


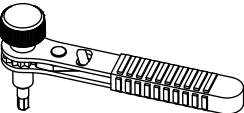
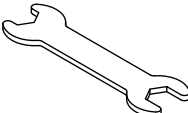
1. Remove hardware from box and sort by size.
2. Please check to see that all hardware and parts are present prior to start of assembly.
3. Please follow attached instructions in the same sequence as numbered to assure fast & easy assembly.



WARNING!

1. Don't attempt to repair or modify parts that are broken or defective. Please contact the store immediately.
2. This product is for home use only and not intended for commercial establishments.

HARDWARE IDENTIFICATION

1	BOLT 1 (1/4" x 60mm - WZ)		2PCS
2	BOLT 2 (5/16" x 45mm - WZ)		16PCS
3	BOLT 3 (1/4" x 30mm - WZ)		4PCS
4	BOLT 4 (1/4" x 27mm - WZ)		12PCS
5	BOLT 5 (1/4" x 19mm - WZ)		14PCS
6	NUT (1/4" - WZ)		8PCS
7	ALLEN WRENCH (4mm x 58mm - WZ)		1PC
8	RATCHET WRENCH (4mm - 110mm - WZ)		1PC
9	WRENCH		1PC

ITEM: 460340SVR

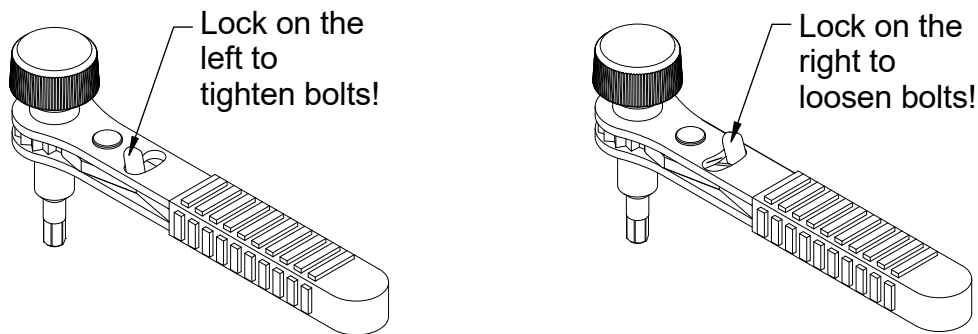
ASSEMBLY INSTRUCTIONS

Helpful Hints

- Before assembling the furniture, please read the instructions on how to use ratchet, it will help you to assemble the furniture quickly.
- Please don't throw away the ratchet in case you may need to use in future.

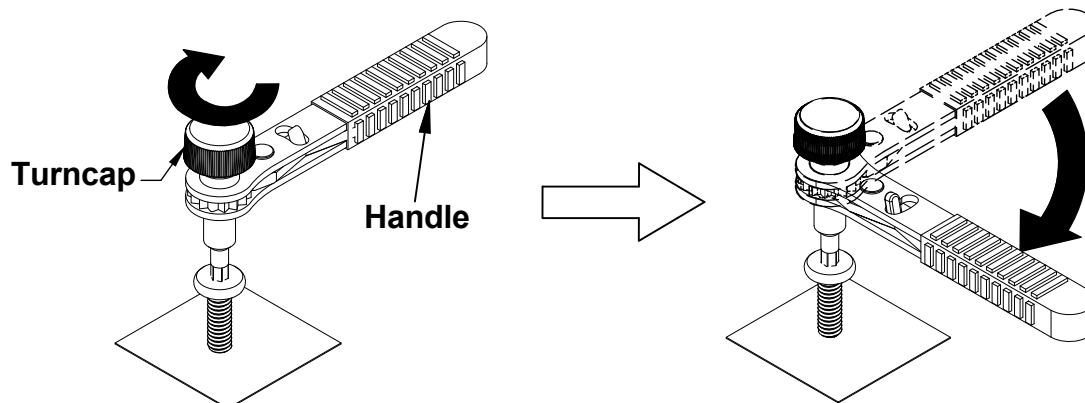
How To Use The Ratchet

1. Before assembling the furniture, please adjust the lock tool as needed.



2. Tighten or loosen the bolts

- **Tighten bolts** : Locate the turncap (picture) and rotate it clockwise to screw the bolt quickly, until it cannot be rotated any more. Then start rotating with the handle clockwise to finalize tightening the bolts.
- **Loosen bolts** : Rotate the handle counterclockwise to loosen the bolt. Then, to completely remove the bolts, continue rotating with the turncap in the same direction.

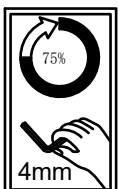
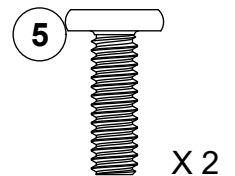
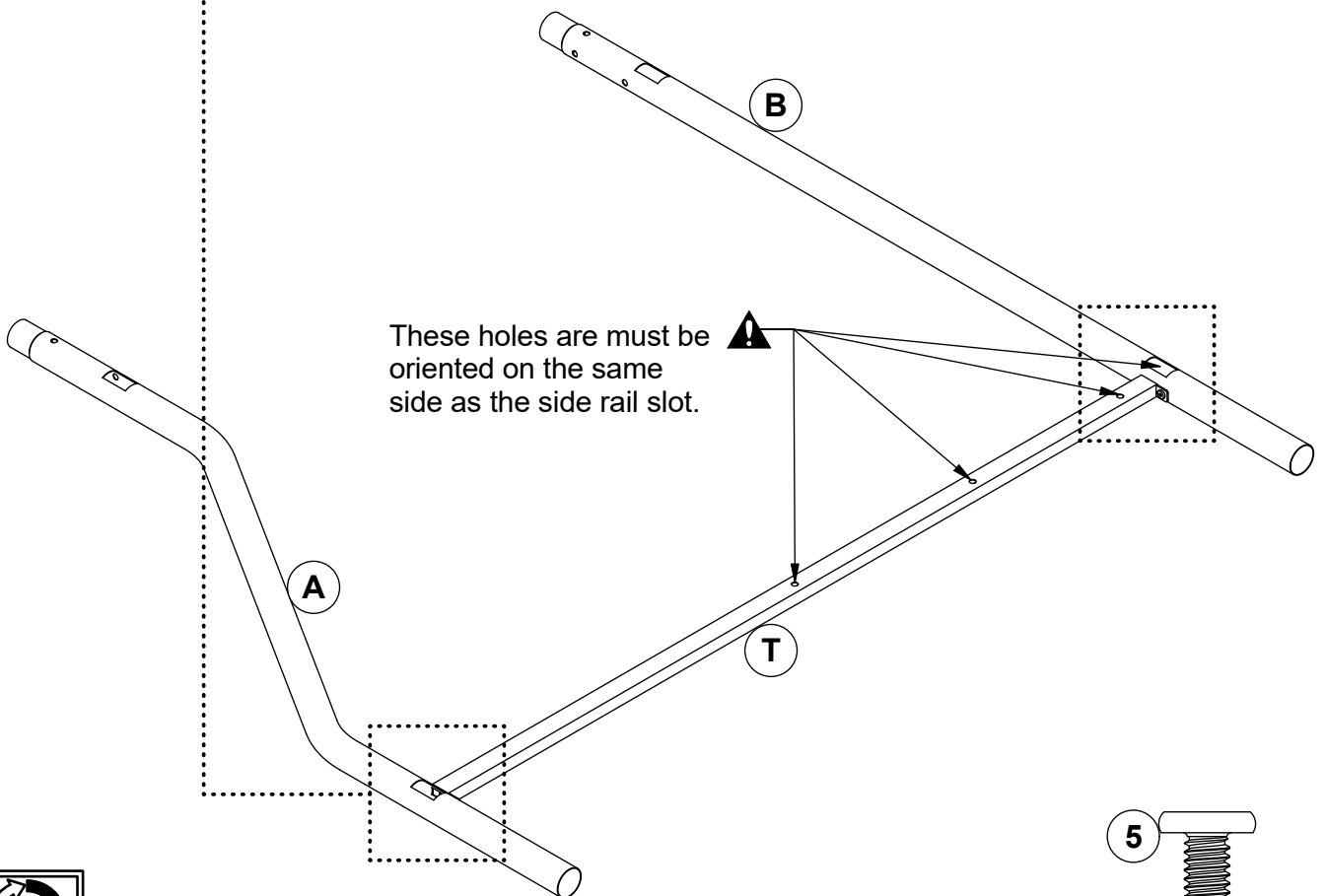
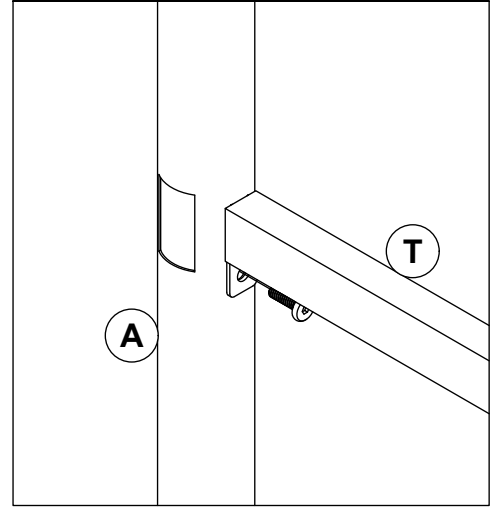
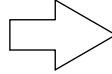
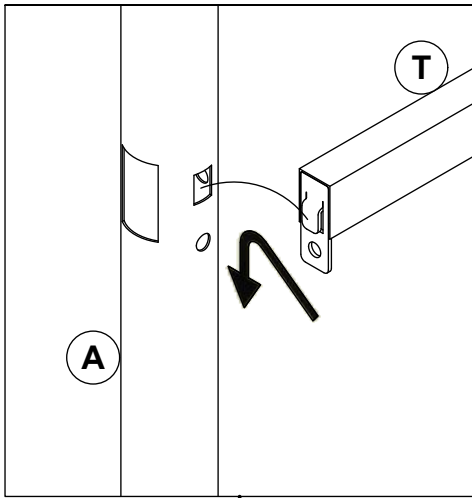


ITEM: 460340SVR

ASSEMBLY INSTRUCTIONS



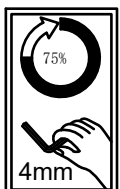
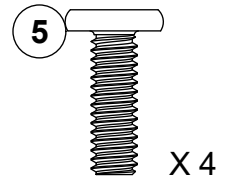
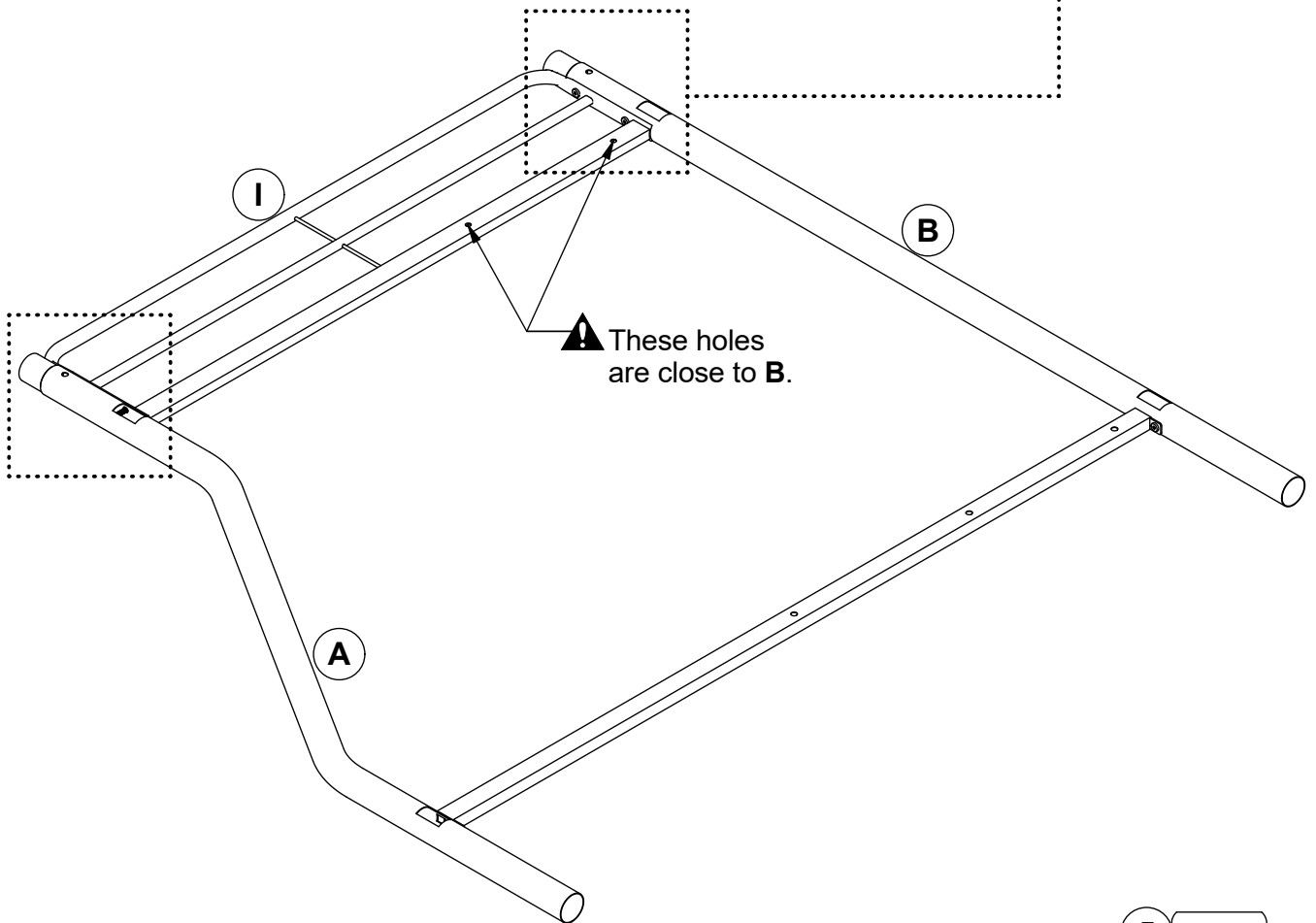
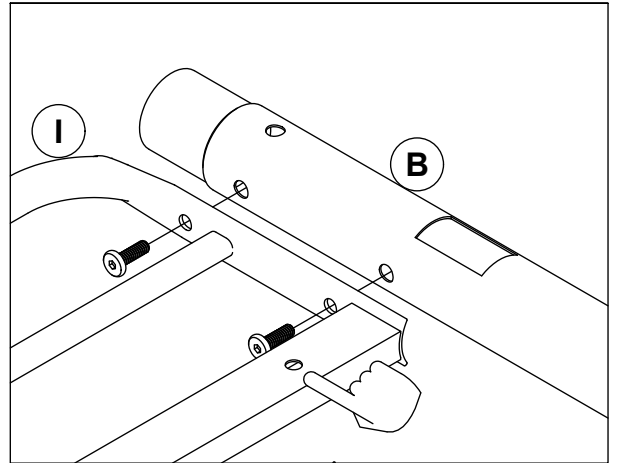
STEP 1



ITEM: **460340SVR**

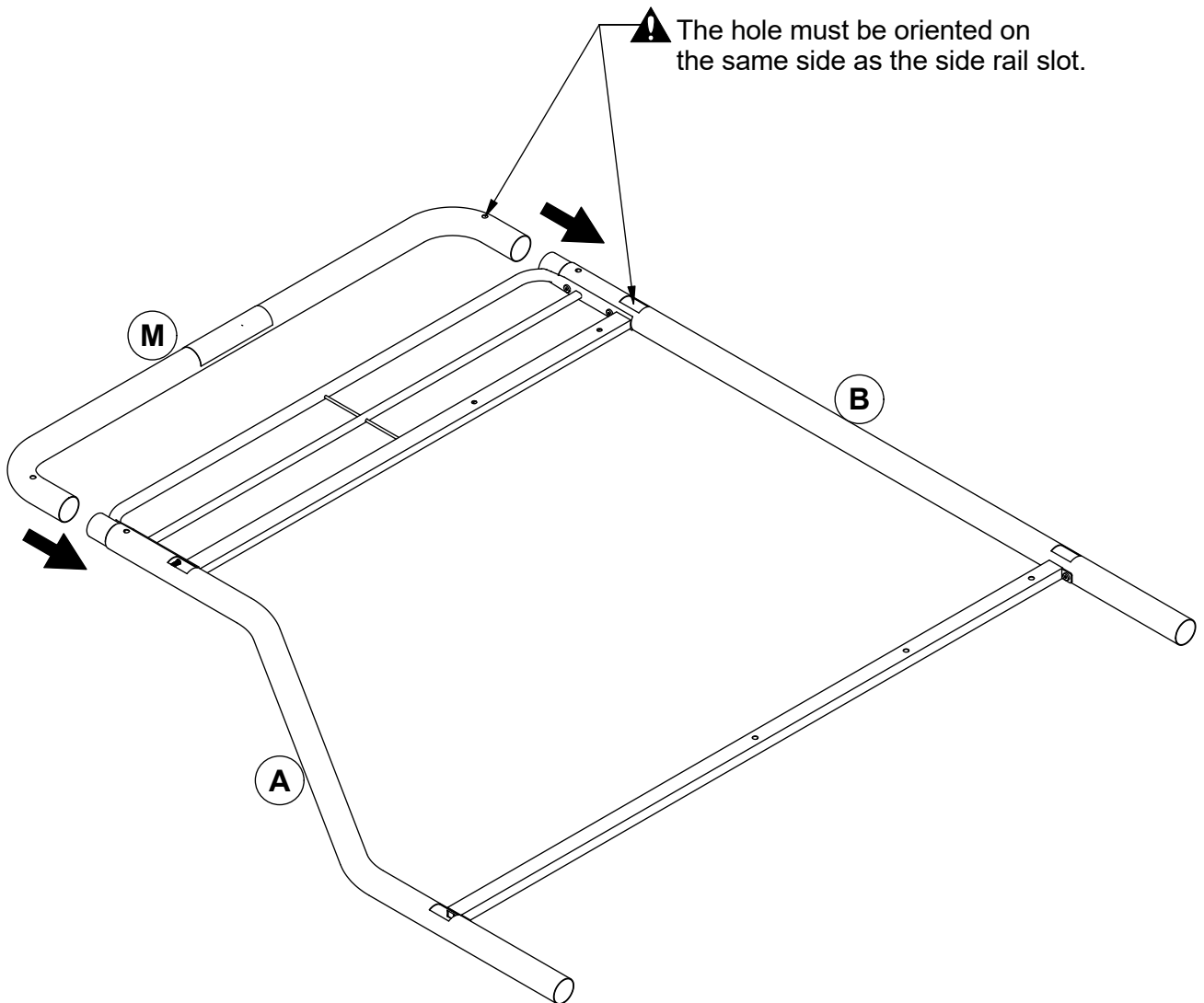
ASSEMBLY INSTRUCTIONS

STEP 2



ITEM: **460340SVR**
ASSEMBLY INSTRUCTIONS

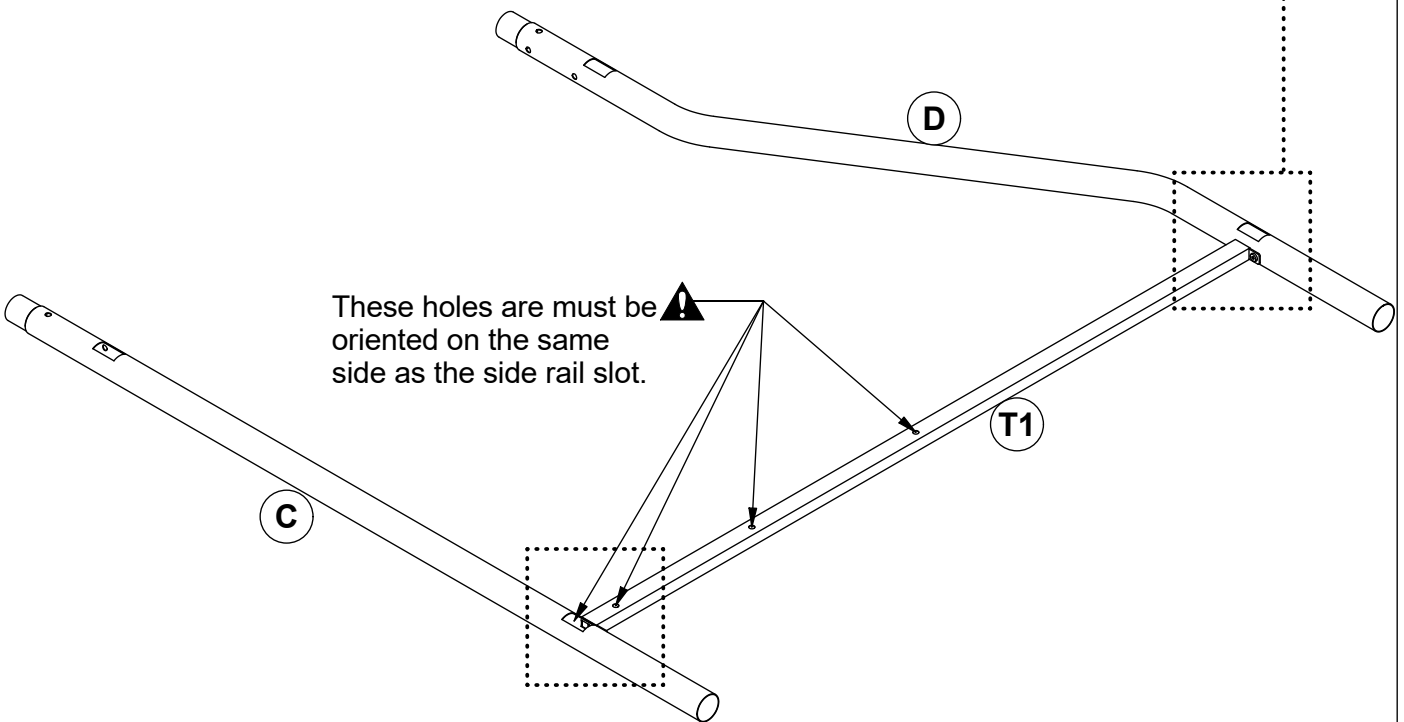
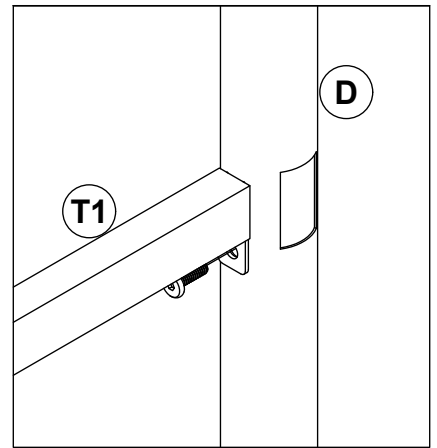
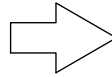
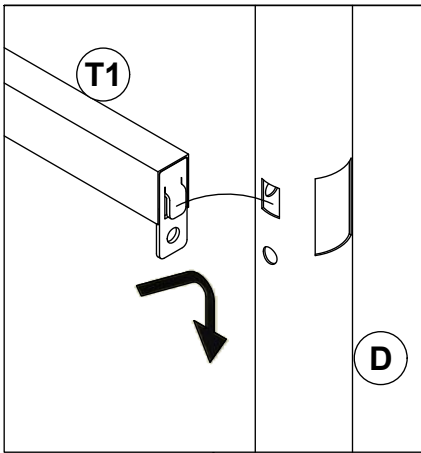
STEP 3



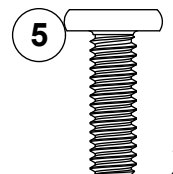
ITEM: 460340SVR

ASSEMBLY INSTRUCTIONS

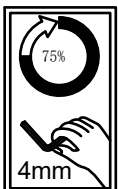
STEP 4



These holes are must be oriented on the same side as the side rail slot.



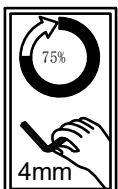
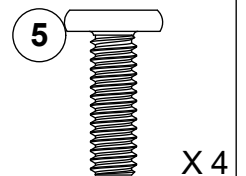
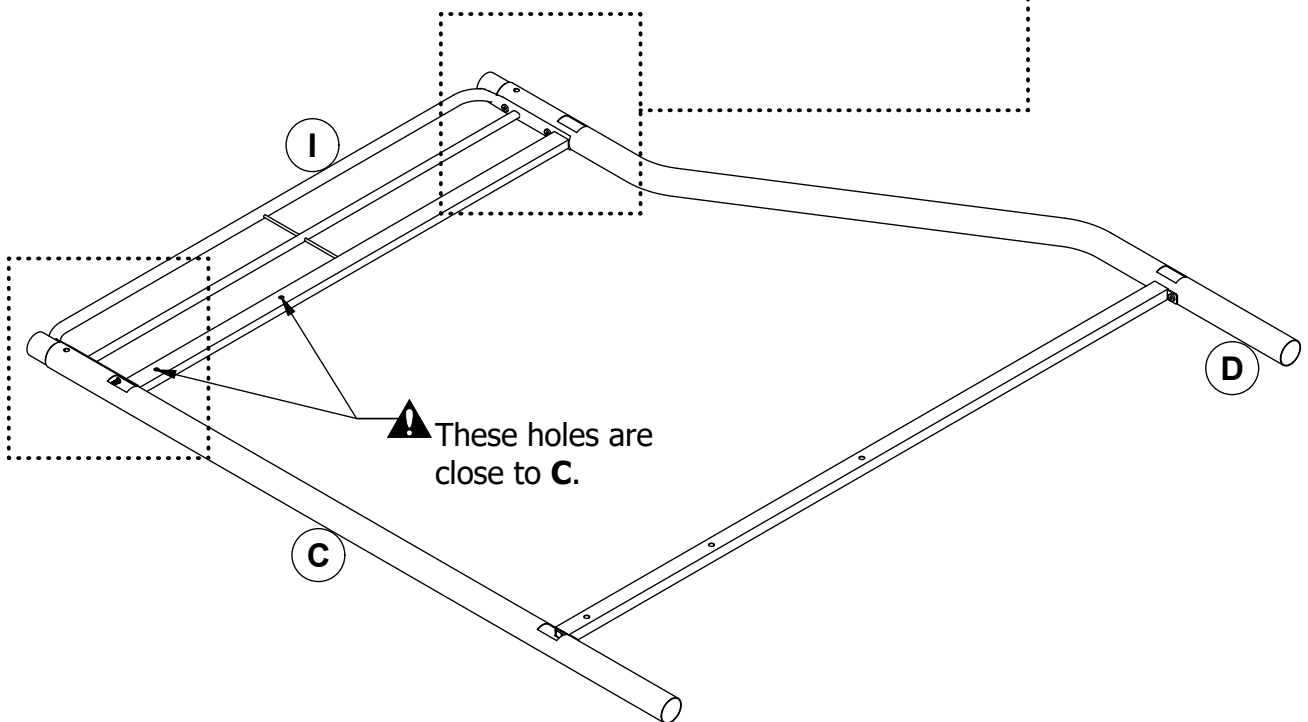
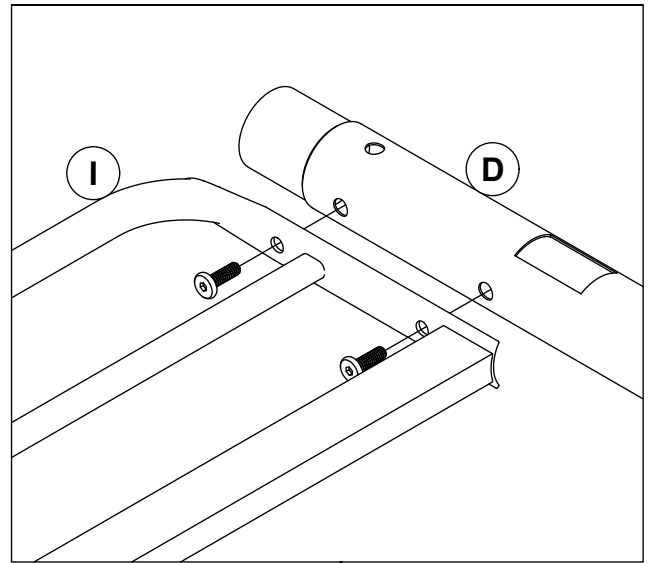
X 2



ITEM: **460340SVR**

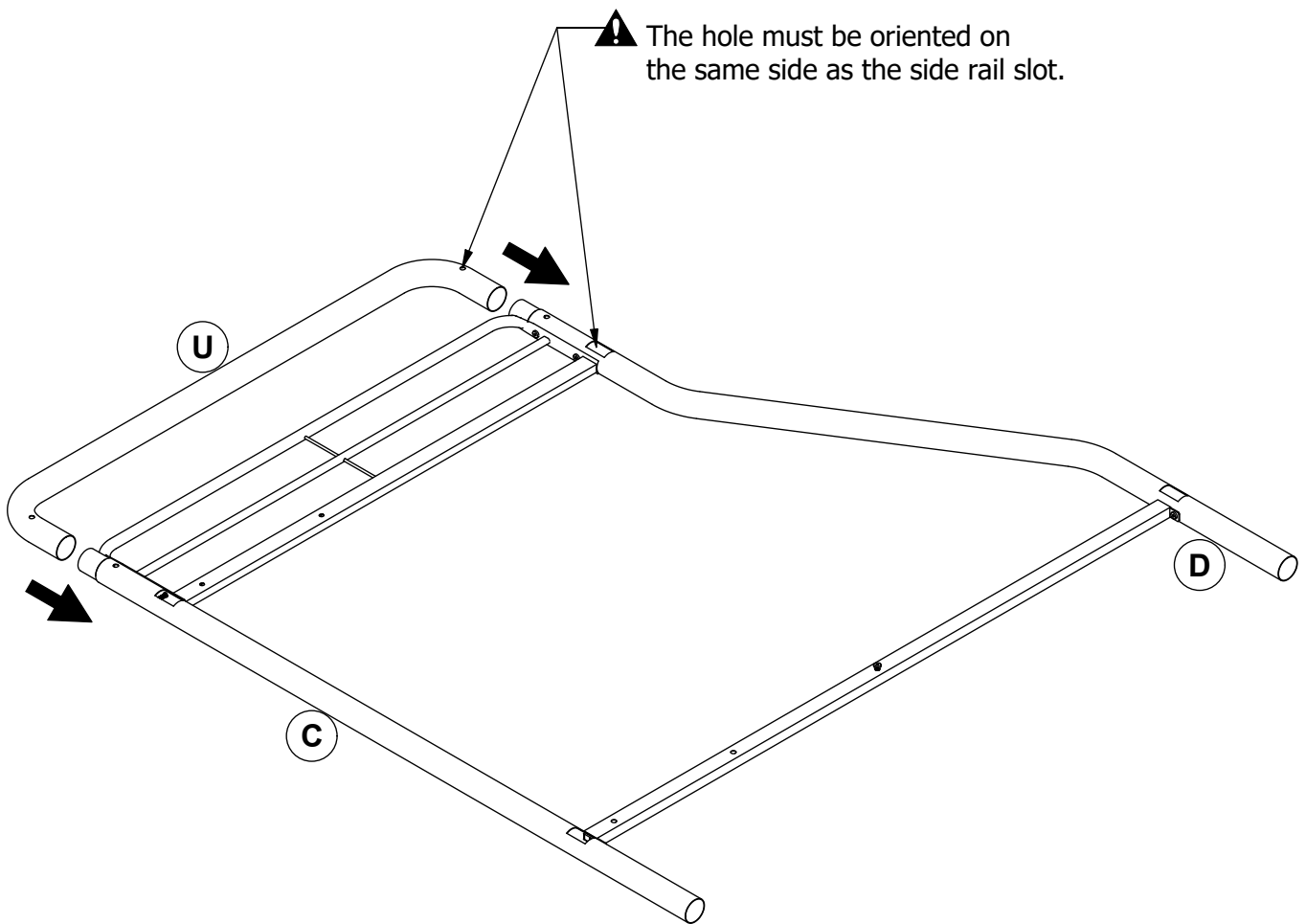
ASSEMBLY INSTRUCTIONS

STEP 5



ITEM: **460340SVR**
ASSEMBLY INSTRUCTIONS

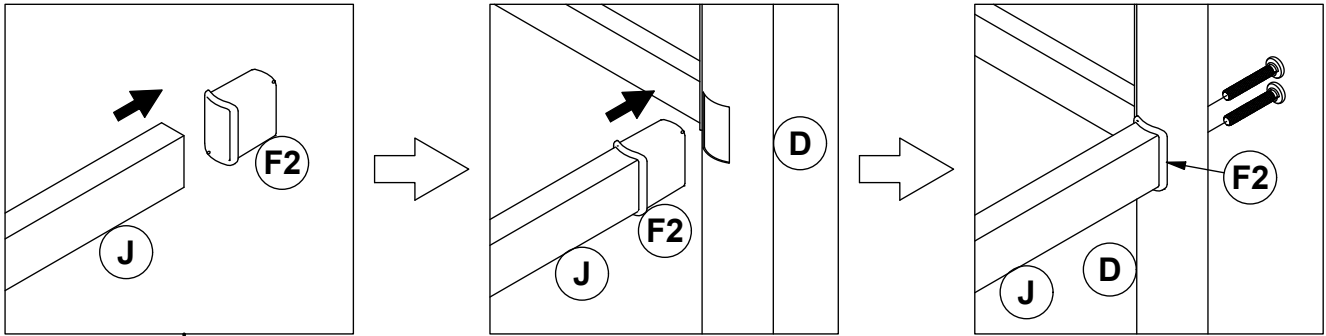
STEP 6



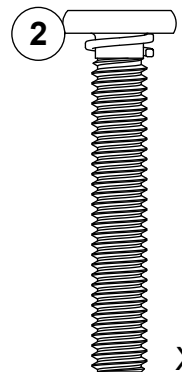
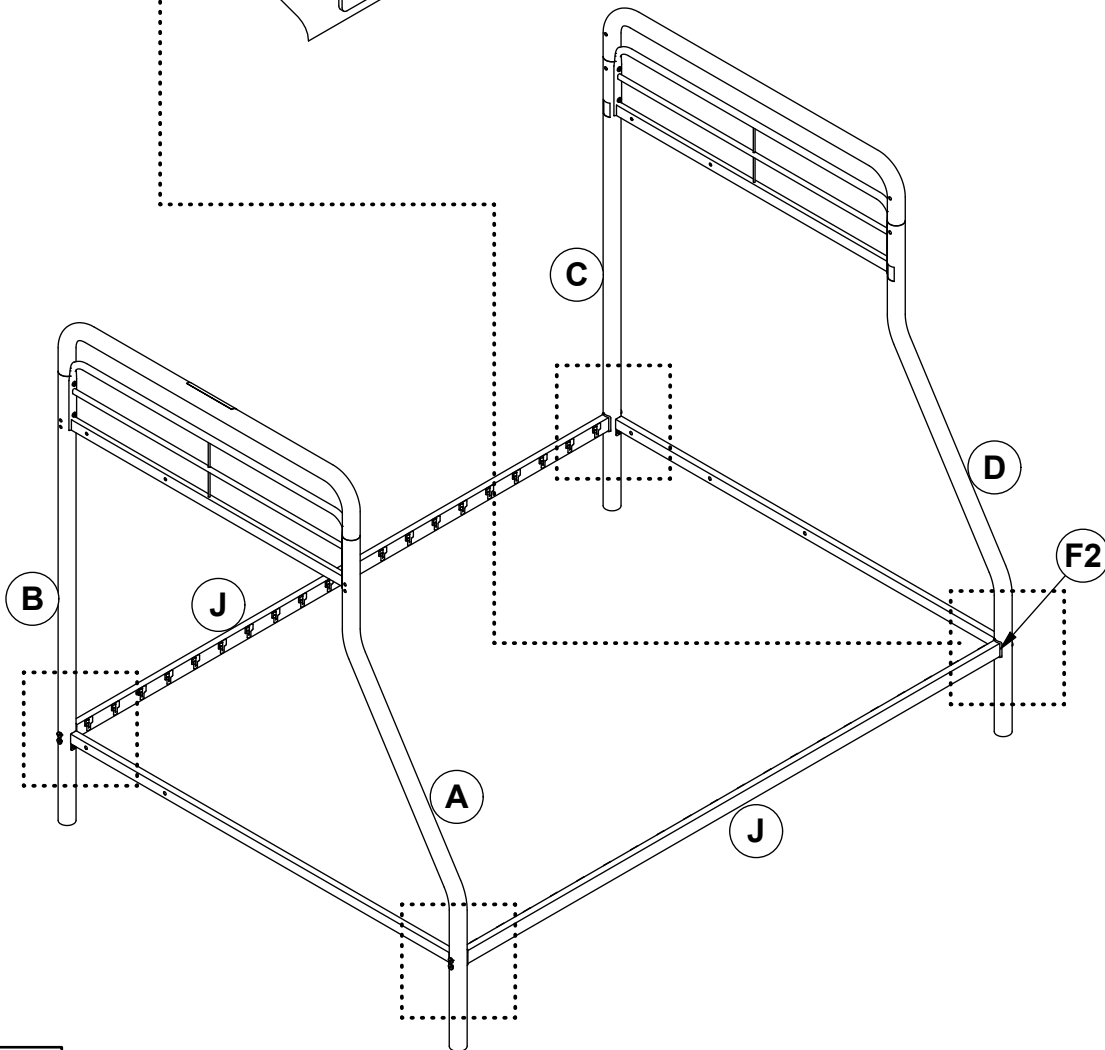
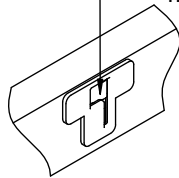
ITEM: 460340SVR

ASSEMBLY INSTRUCTIONS

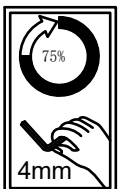
STEP 7



▲ Wide side of the plastic housing must be facing up and inside !



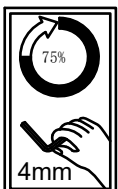
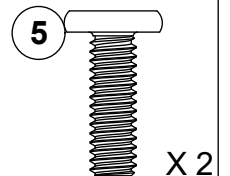
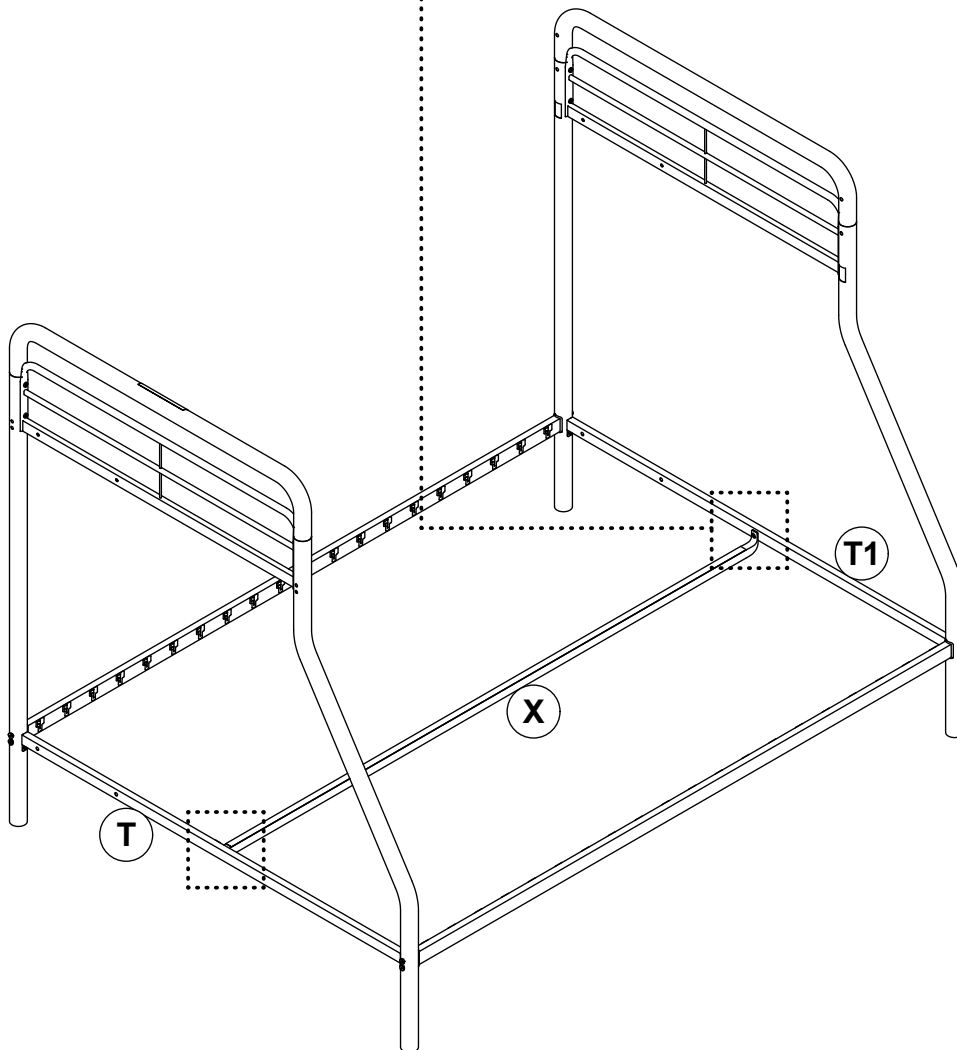
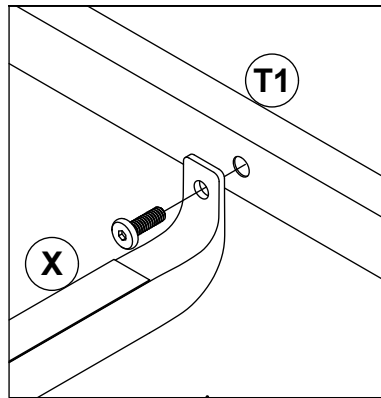
X 8



ITEM: **460340SVR**

ASSEMBLY INSTRUCTIONS

STEP 8

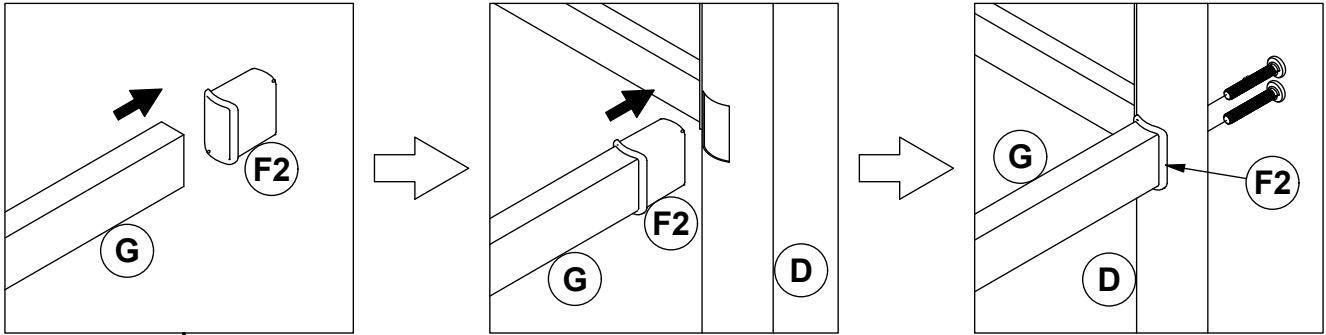


ITEM: **460340SVR**

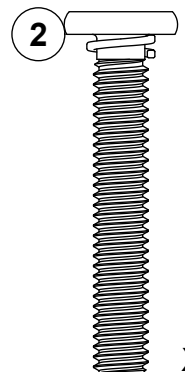
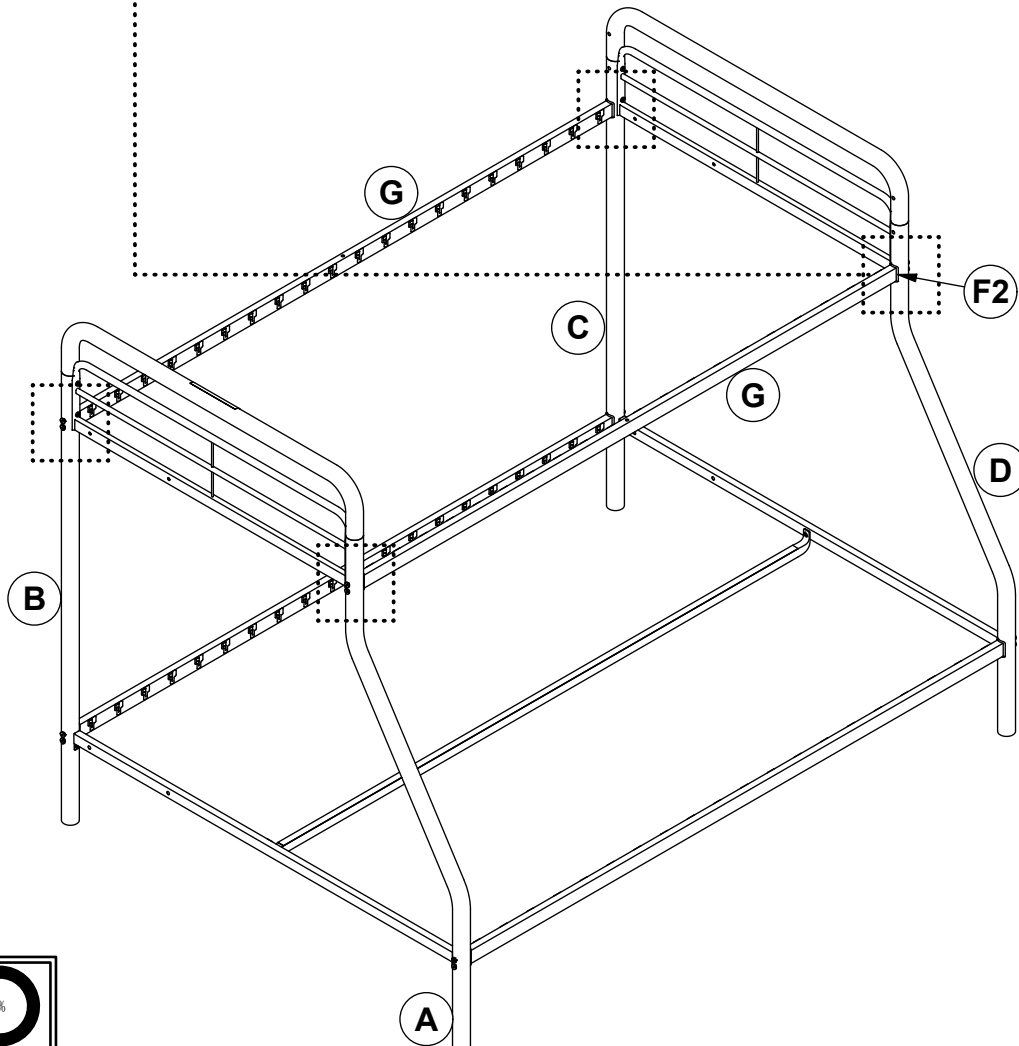
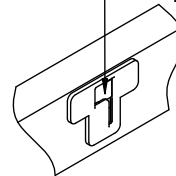
ASSEMBLY INSTRUCTIONS



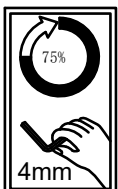
STEP 9



▲ Wide side of the plastic housing must be facing up and inside !



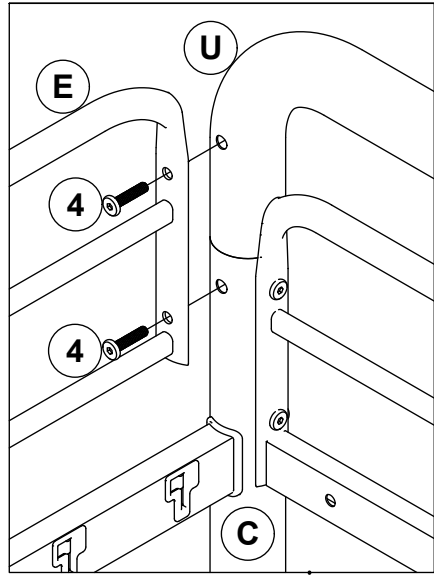
X 8



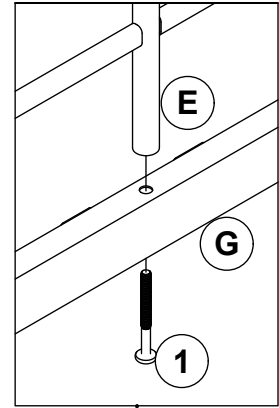
ITEM: **460340SVR**

ASSEMBLY INSTRUCTIONS

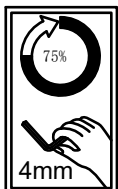
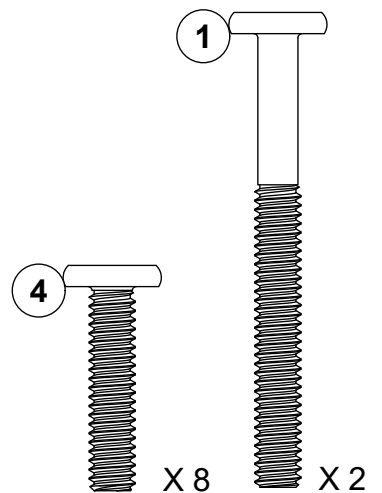
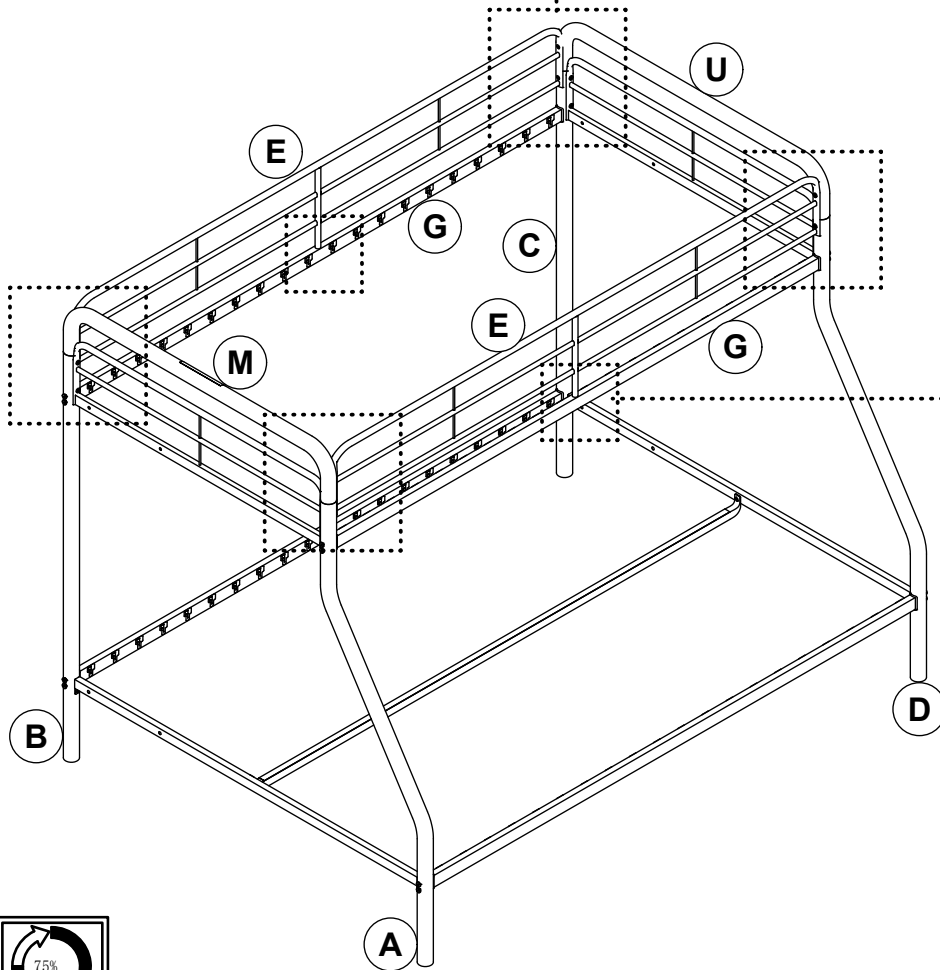
STEP 10



10.1



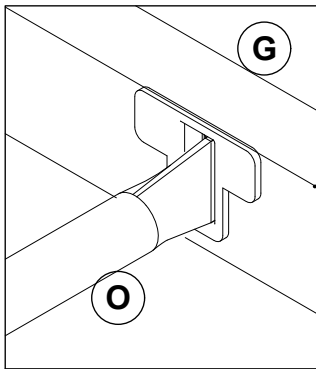
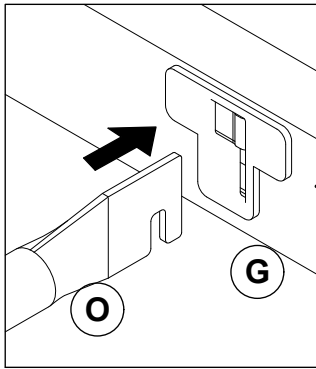
10.2



ITEM: **460340SVR**

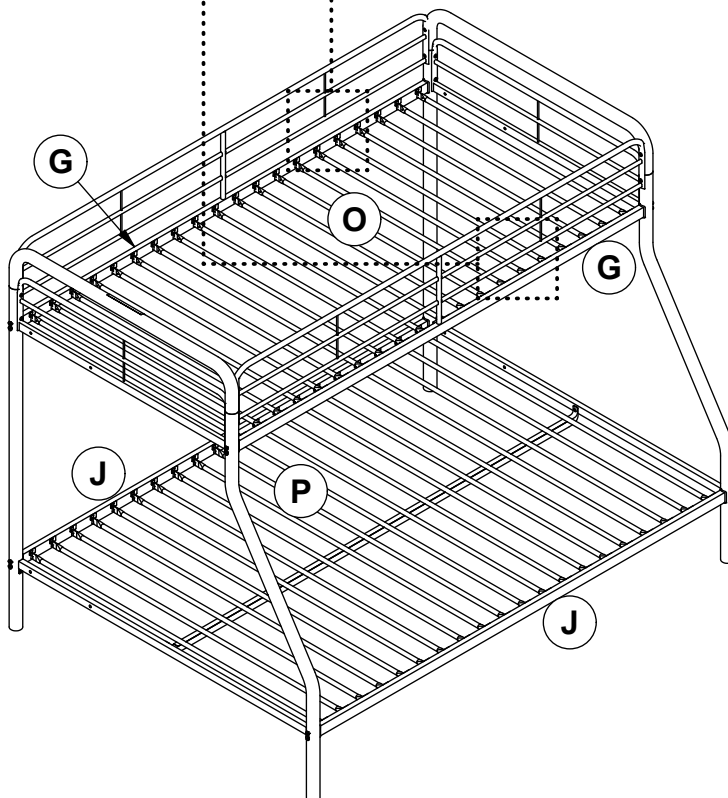
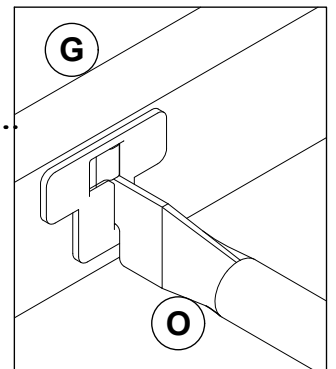
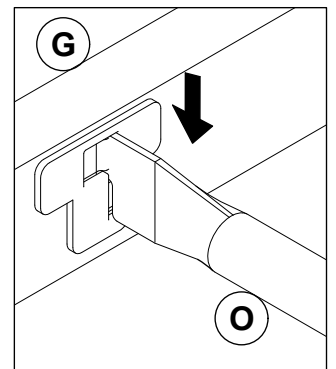
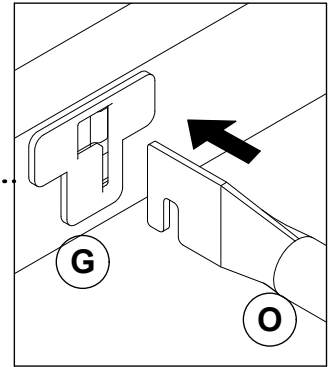
ASSEMBLY INSTRUCTIONS

STEP 11



11.1

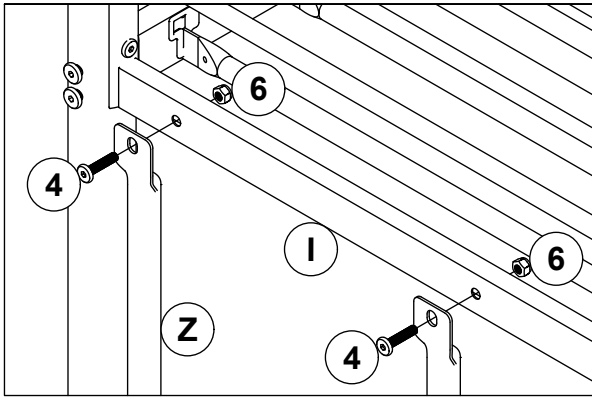
11.2



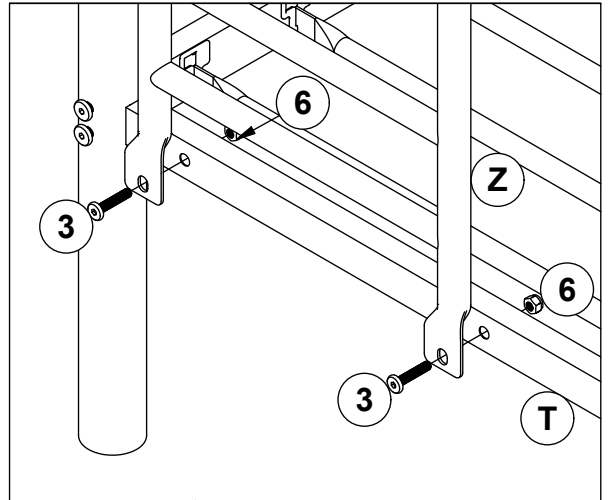
ITEM: 460340SVR

ASSEMBLY INSTRUCTIONS

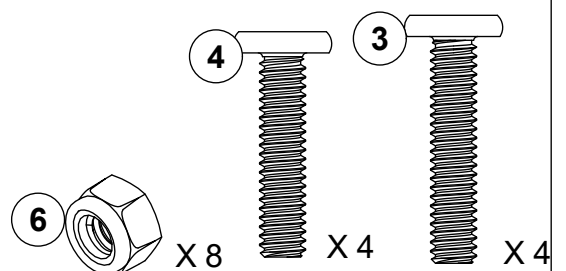
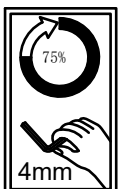
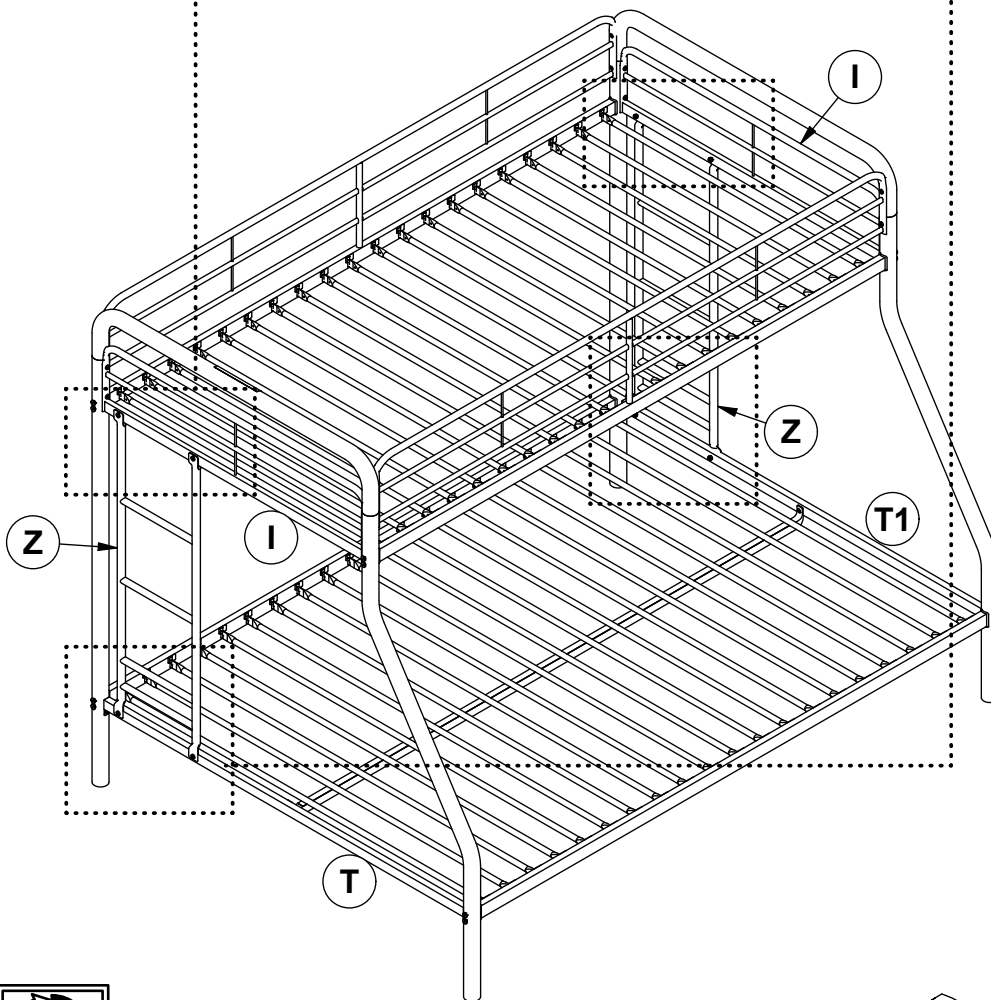
STEP 12



12.1



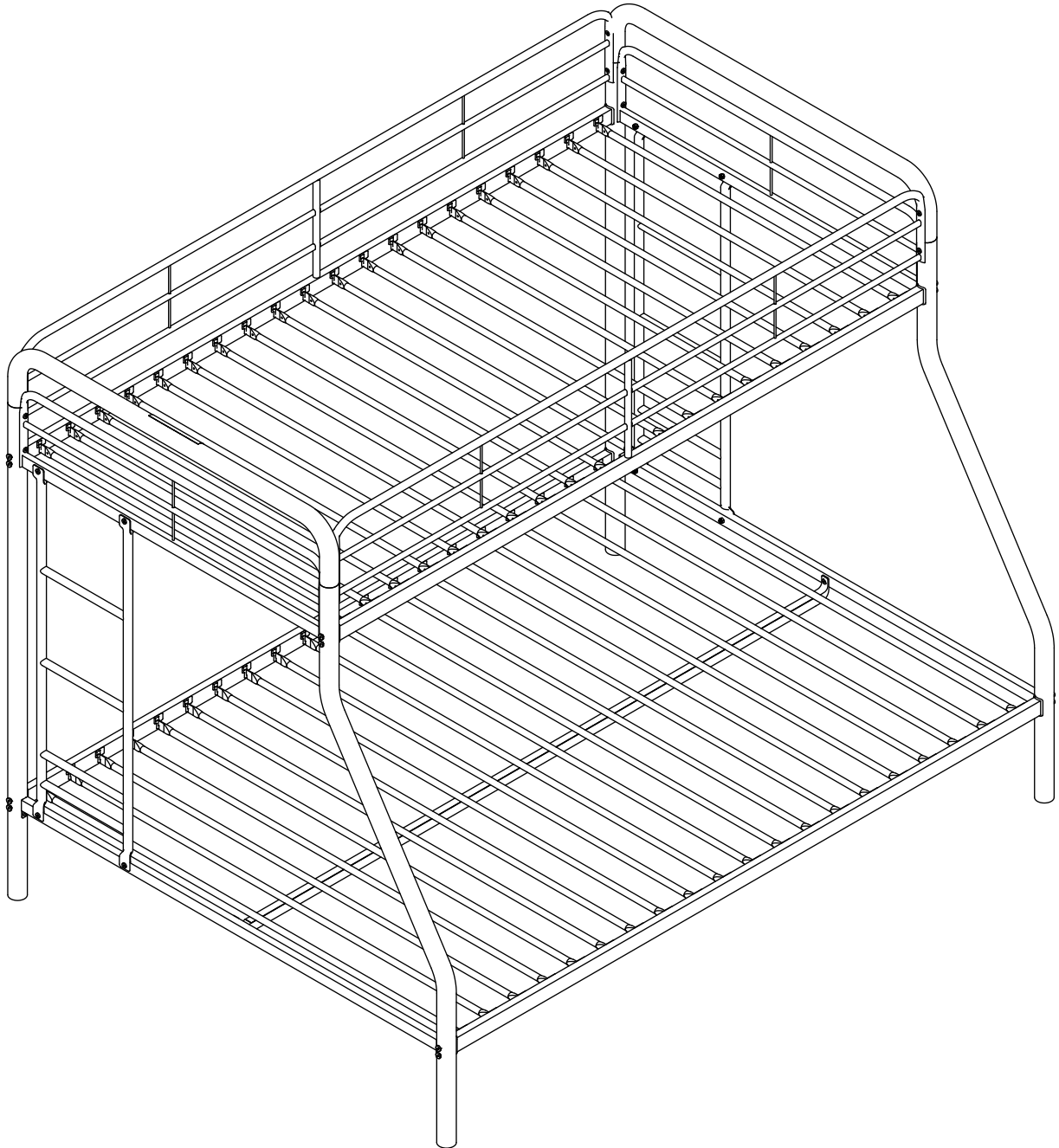
12.2



ITEM: **460340SVR**

ASSEMBLY INSTRUCTIONS

STEP 13
COMPLETE



ITEM: 460340SVR



ASSEMBLY INSTRUCTIONS

SIZE OF MATTRESS

The length and width of the bunk mattress are as follow:

<i>Upper bunk</i>	<u><i>Length</i></u> 74"-75"	<u><i>Width</i></u> 37½" - 38½"	<u><i>Thickness</i></u> 6" Maximum
<i>Lower bunk</i>	<u><i>Length</i></u> 74"-75"	<u><i>Width</i></u> 52½" - 54"	<u><i>Thickness</i></u> 6" Maximum

Ensure thickness of mattress does not exceed 6" and there must be at least 5" from mattress sleeping surface to top edge of guardrail.



SAFETY WARNING



1. Follow the information on the warnings appearing on the upper bunk end structure and on the carton. Do not remove the warning label from bed.
2. Always use the recommended size mattress or mattress support or both to help prevent the likelihood of entrapment or falls.
3. Surface of mattress must be at least 5 in. (127 mm) below the upper edge of guardrails.
4. Do not allow children under 6 years of age to use the upper bunk.
5. Prohibit more than one person on upper bunk.
6. Periodically check and ensure that the guardrail, ladder, and other components are in their proper position, free from damage, and that all connectors are tight.
7. Do not allow horseplay on or under the bed and prohibit jumping on the bed.
8. Always use the ladder for entering and leaving the upper bunk.
9. Do not use substitute parts. Contact the manufacturer or dealer for replacement parts.
10. Use of a night light may provide added safety precaution for a child using upper bunk.
11. Always use guardrails on both long sides of the upper bunk. If the bunk bed will be placed next to the wall, the guardrail that runs the full length of the bed should be placed against the wall to prevent entrapment between the bed and wall.
12. The use of water or sleep flotation mattress is prohibited.
13. Keep these instructions for future reference.

STRANGULATION HAZARD:

14. Never attach or hang items to any part of the bunk bed that are not designed for use with the bed for example, but not limited to hooks, belts, and jump ropes.

REPLACEMENT PARTS:

Replacement parts, including additional guardrails may be obtained from any COASTER Furniture Dealer.

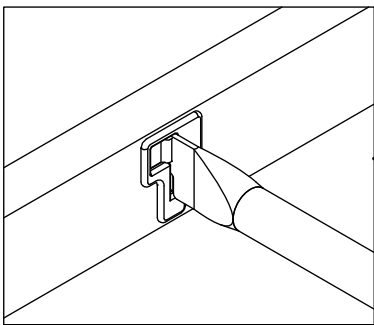
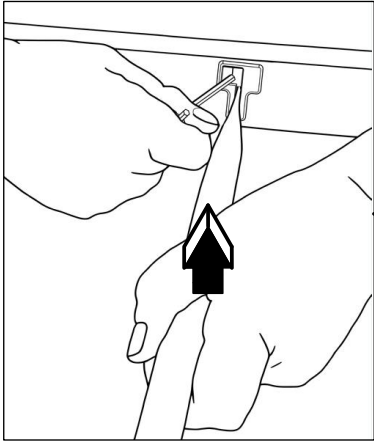
ITEM: 460340SVR



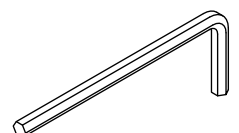
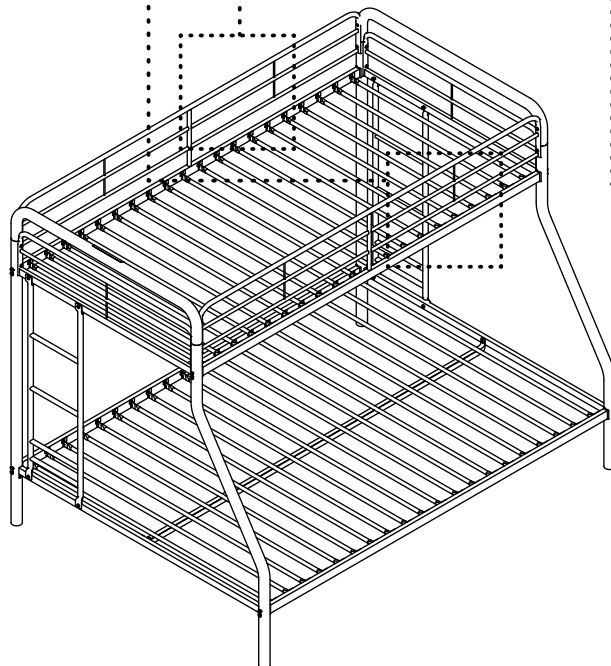
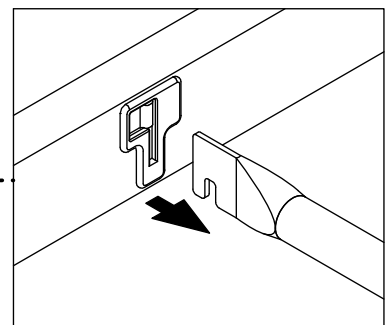
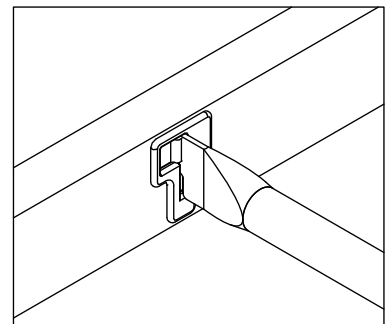
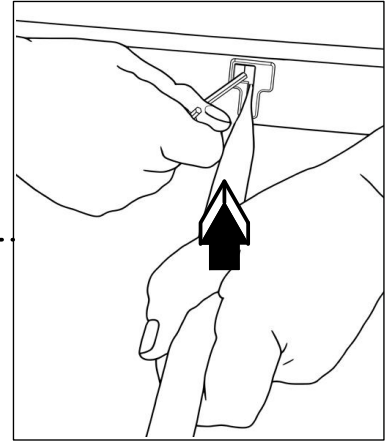
How to Dismantle Bed Slats.

1. Push down the Clip of Slat Plastic Housing using Allen Key, simultaneously lift up the Slat at most.
2. Proceed the same procedure for another end of Slat Plastic Housing and Slat, then pull out the Slat gently.

1



2



ITEM: **460340SVR**
ASSEMBLY INSTRUCTIONS



 **WARNING** 
TO PREVENT SERIOUS OR FATAL INJURY

1. When using beds as bunk beds, the ladder **MUST** be securely attached to the upper bunk rail at all times.
2. When using the beds as two (2) separate floor-standing beds, the ladder **MUST** be stored in a separate location where children cannot use the ladder in any manner.
3. **DO NOT** use, nor permit children to use, the ladder in any manner whatsoever, other than to access the top unit when used as bunk beds, and only if the ladder is securely attached to the top bunk rail, as set forth in the instructions.
4. Any misuse or unauthorized use of the ladder could result in serious or fatal injury.
5. Failure to follow the above WARNING, and/or failure to follow assembly instructions completely, will void any and all liability of COASTER COMPANY OF AMERICA for damages and injury to persons and property.



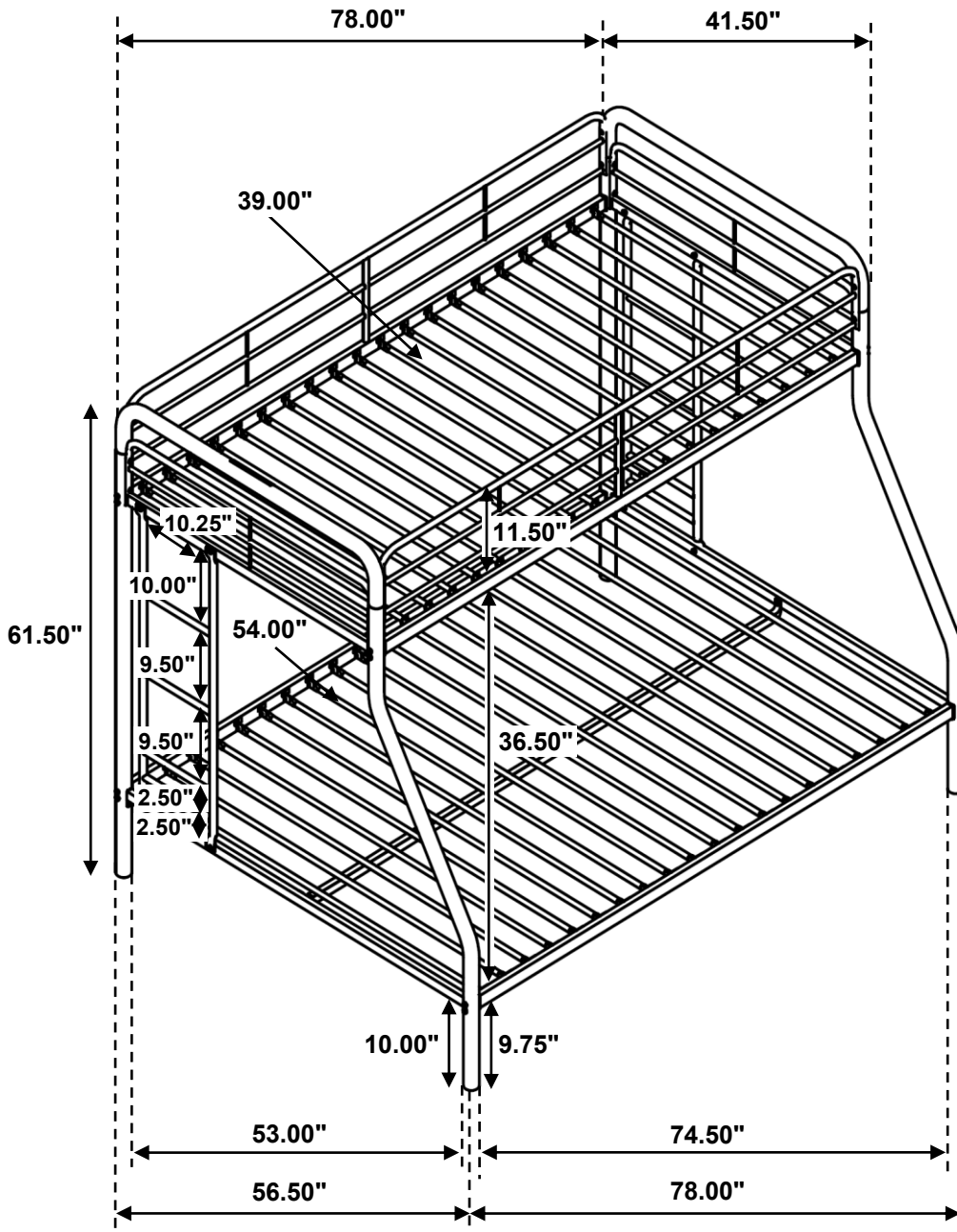
Coasterfurniture.com | 877-COASTER (262-7837)

ITEM: 460340SVR



Inner Size of Upper Bed : 74.50"W X 39.00"D

Inner Size of Bottom Bed : 74.50"W X 54.00"D



Note: Dimension tolerance $\pm 5\%$