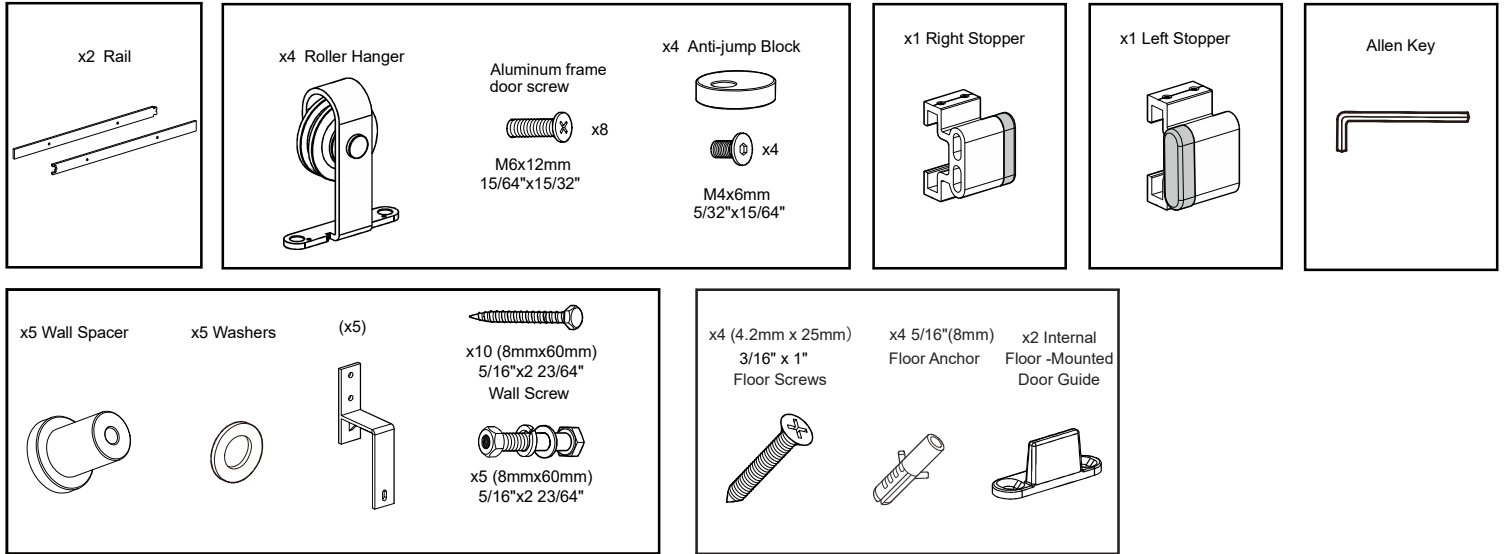
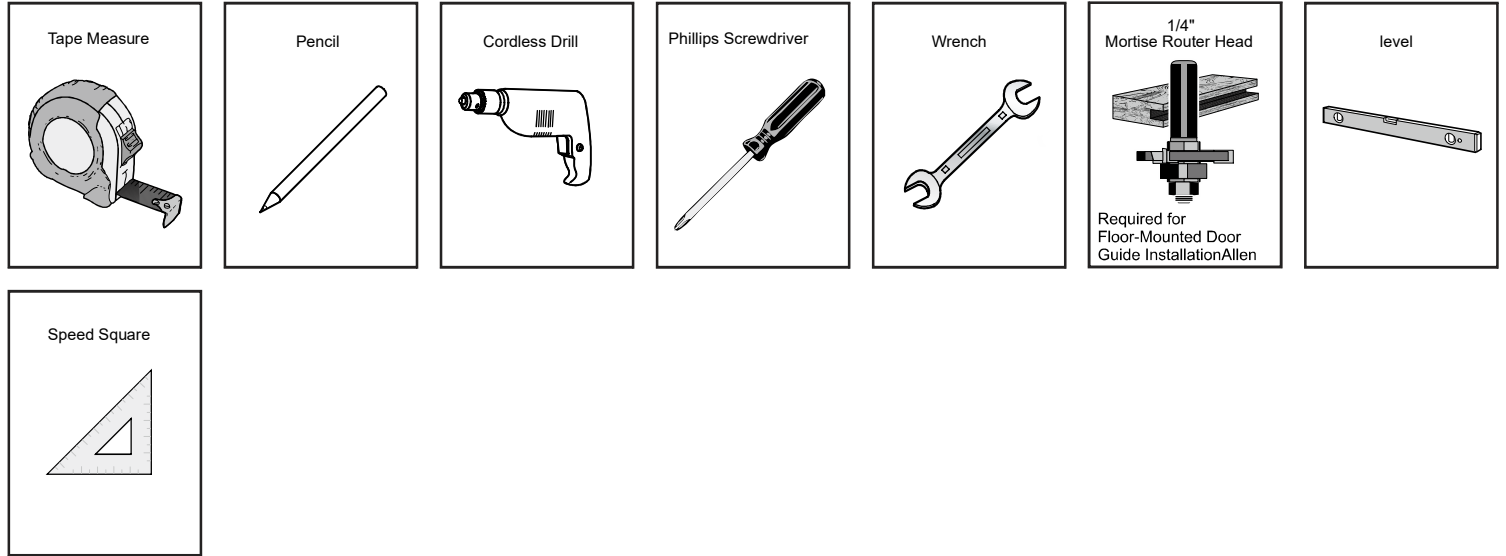


BARN DOOR HARDWARE KIT
 TSQ22BK-6FT+Bracket01-MBKx5
 +KDA03N-36INCH-C
 INSTALLATION GUIDE

Main Components



Tools Required



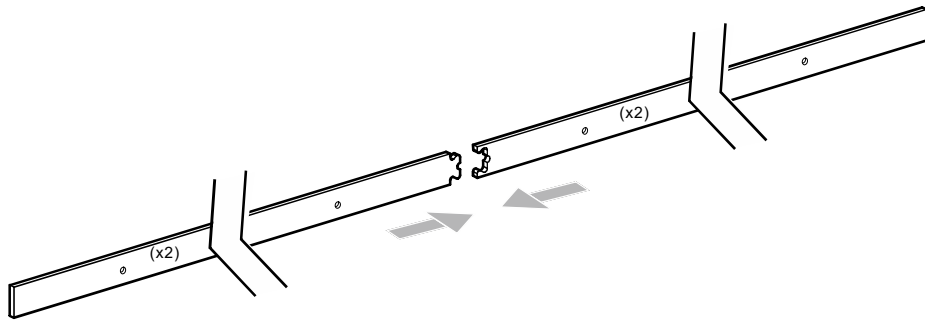
IMPORTANT: BEFORE YOU BEGIN

IF INSTALLING DIRECTLY INTO A NON-CONCRETE WALL, DO NOT ATTEMPT TO INSTALL THE RAIL SOLELY TO THE DRYWALL OR ANY WALL SURFACE AS THIS MAY NOT SUPPORT THE WEIGHT OF THE RAIL AND MOUNTED DOOR. THE RAIL MUST BE INSTALLED ONTO A PIECE OF SOLID WOOD BLOCKING (PACKAGE NOT INCLUDED) USING MOUNTING SCREWS (PACKAGE NOT INCLUDED). ENSURE THE SOLID WOOD BLOCKING IS SECURED INTO THE STRUCTURAL SURFACE. USE A STUD FINDER WHERE NECESSARY TO LOCATE STUDS AND SECURE SAFELY. TYPICAL SOLID WOOD BLOCKING SHOULD BE 81 3/4" x 5 1/2" x 7/8".

NOTE. SEPARATE BOLTS ARE PROVIDED FOR 13/8" DOORS AND LONGER BOLTS PROVIDED FOR 13/4" DOORS. IF INSTALLING WITH THE INTERNAL FLOOR-MOUNTED DOOR GUIDE, THE DOOR MUST BE MORTISED 1/4" WIDE X 3/4" DEEP CENTRALLY.

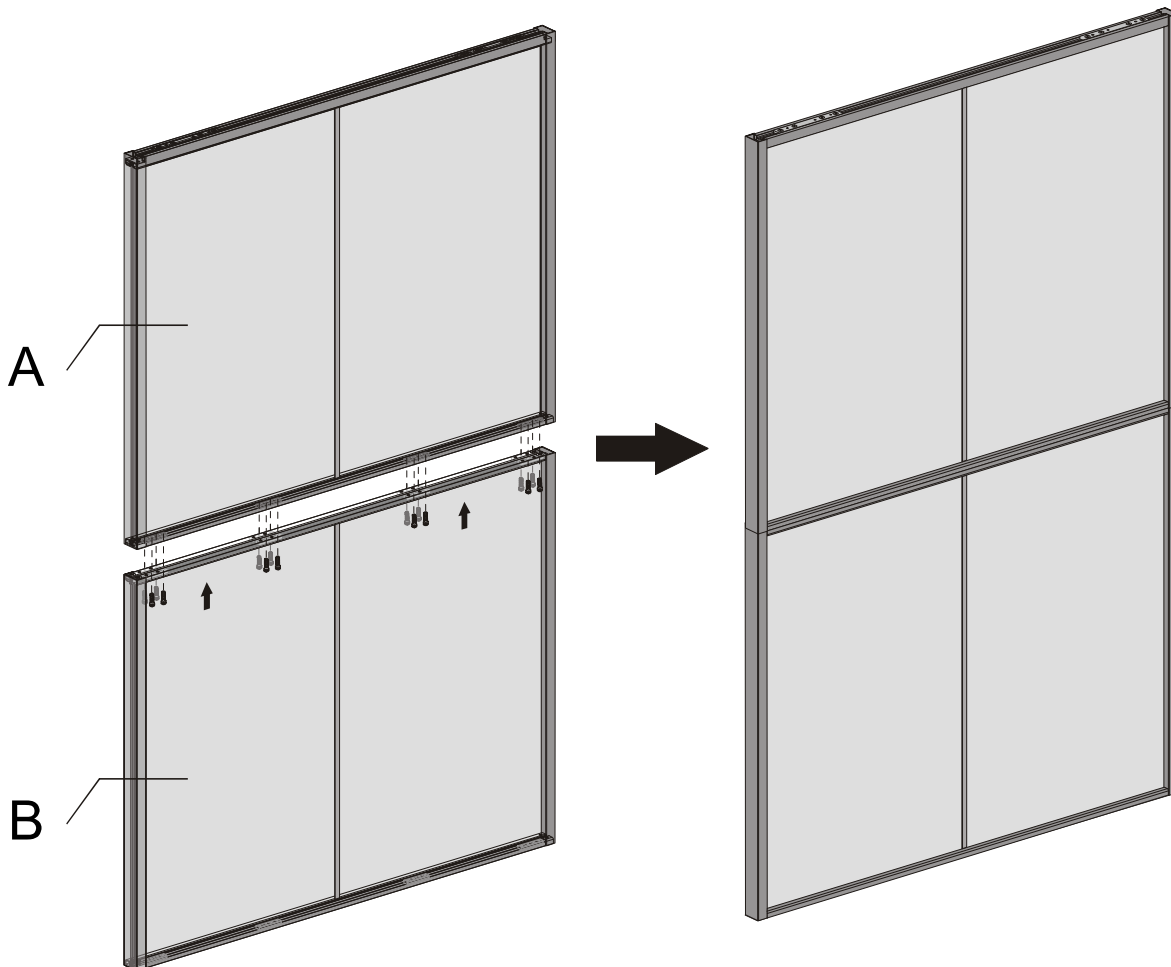
BARN DOOR HARDWARE KIT
TSQ22BK-6FT+Bracket01-MBKx5
+KDA03N-36INCH-C
INSTALLATION GUIDE

Kindly reminder: Connect the two pieces of the rail before installing

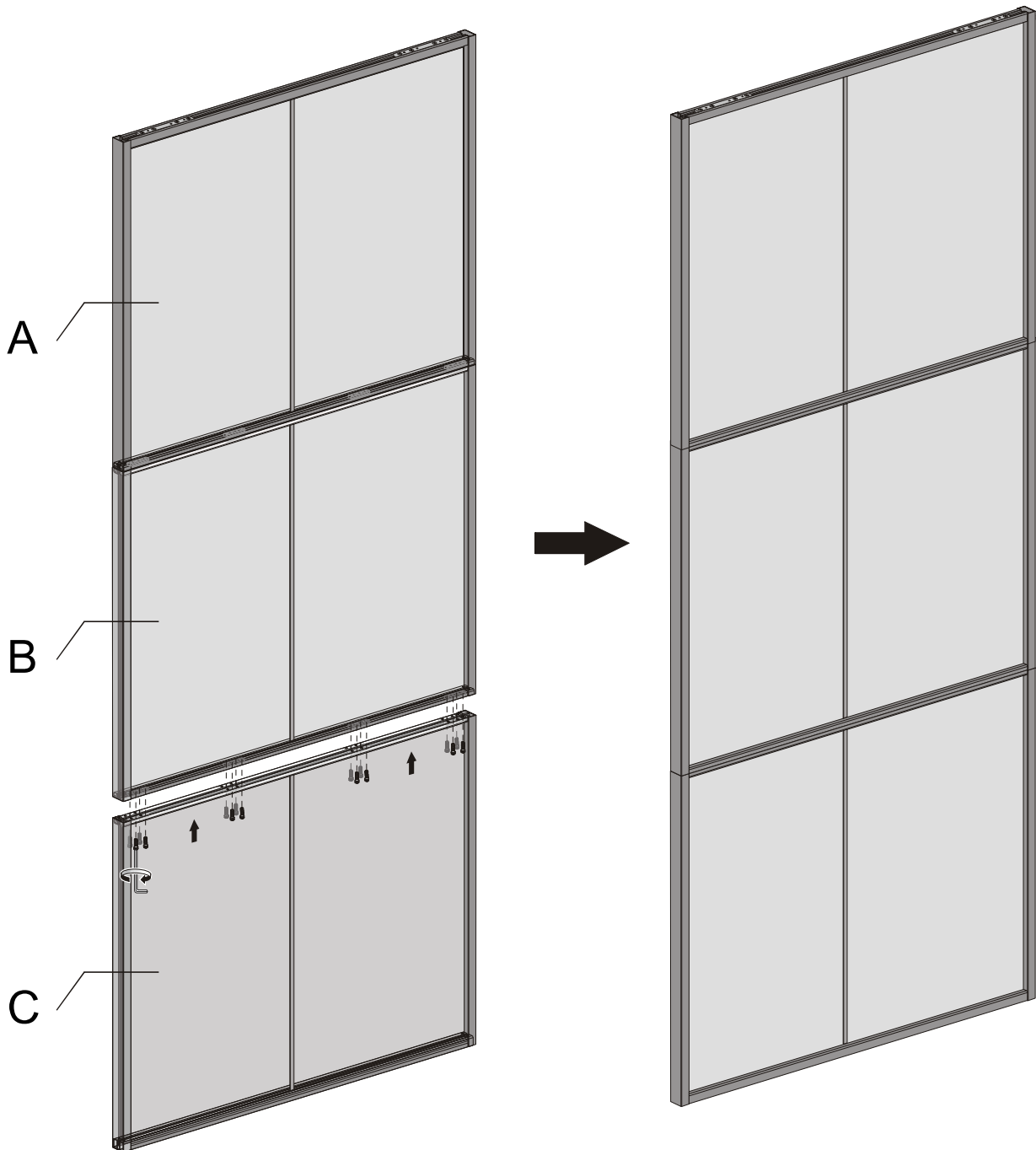
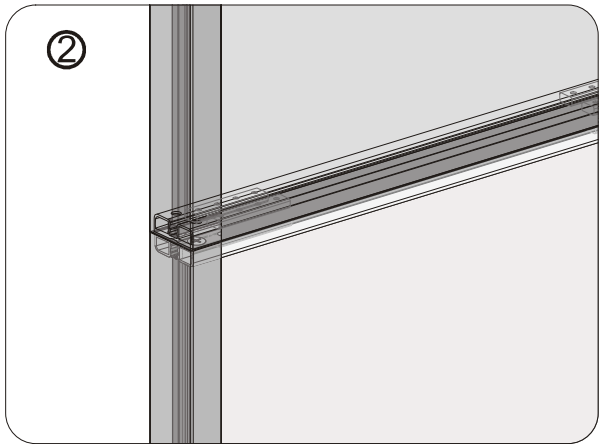
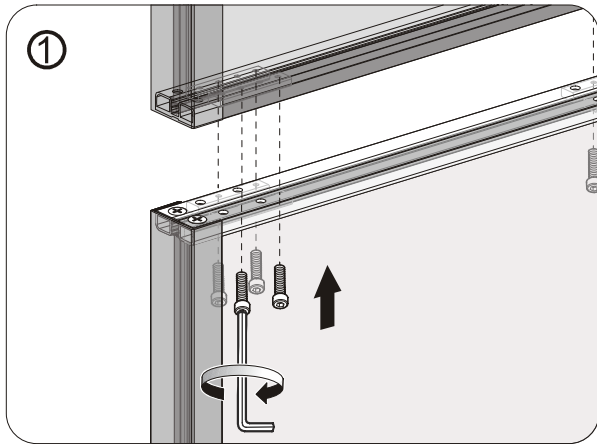


Door Preparation

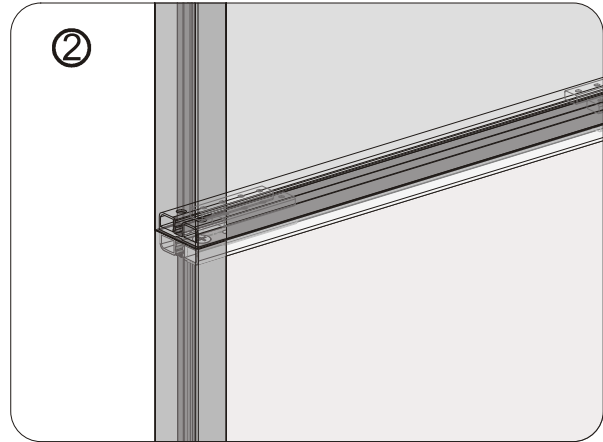
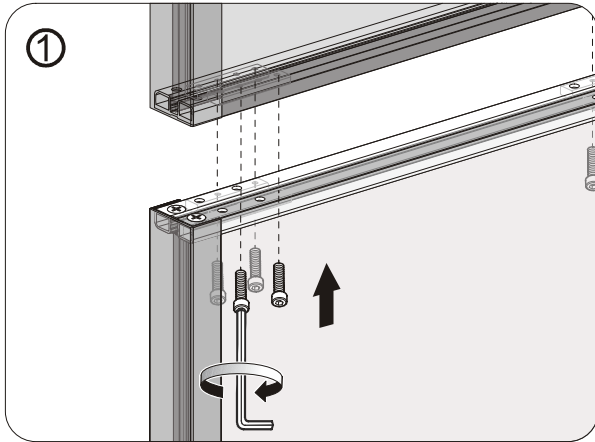
The door is divided into three parts: upper, middle and lower parts A.B.C
Please fixed with 1/5"x3/5" screws



BARN DOOR HARDWARE KIT
TSQ22BK-6FT+Bracket01-MBKx5
+KDA03N-36INCH-C
INSTALLATION GUIDE



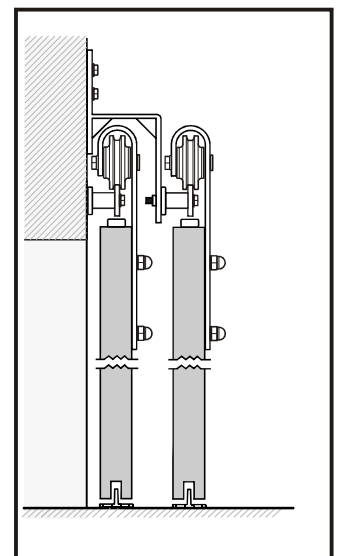
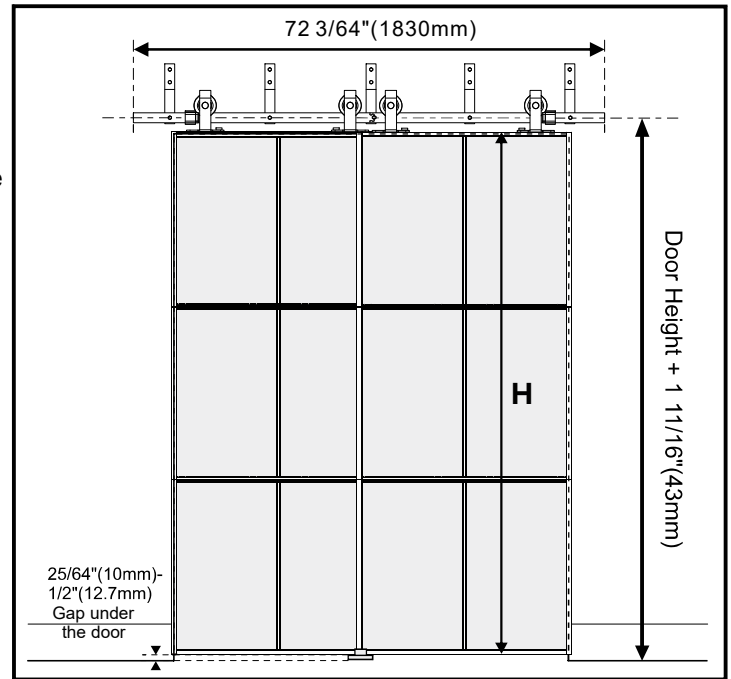
BARN DOOR HARDWARE KIT
TSQ22BK-6FT+Bracket01-MBKx5
+KDA03N-36INCH-C
INSTALLATION GUIDE



Step 1. CONCRETE Wall Preparation1

Position the rail by measuring up from the door height (H) + 1 11/16" to the centre of the track. Also ensure a gap of 3/8" - 1/2" at the bottom. Ensure the rail is level and leave a minimum of 2" from the end of the rail to the side of the opening.

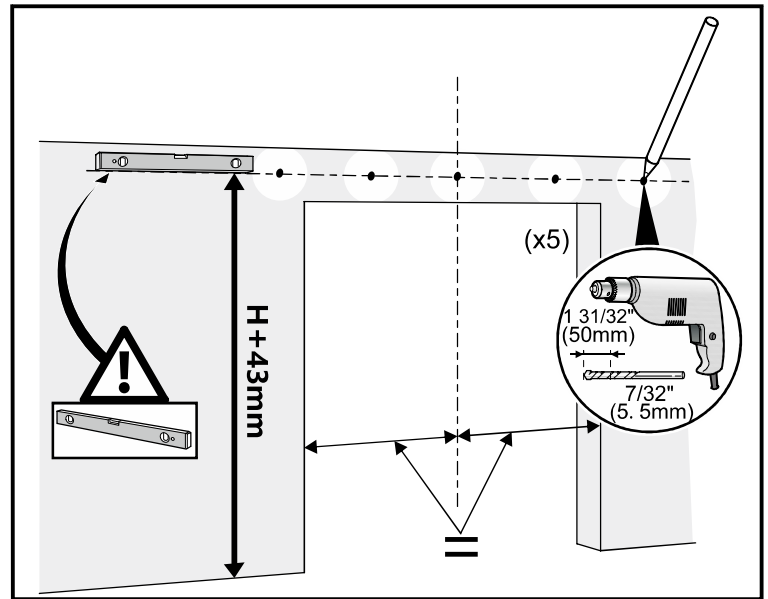
If installing with an opening for 80" standard door size, remove the top trim and cut the side trim horizontally along the height of the opening.



BARN DOOR HARDWARE KIT
TSQ22BK-6FT+Bracket01-MBKx5
+KDA03N-36INCH-C
INSTALLATION GUIDE

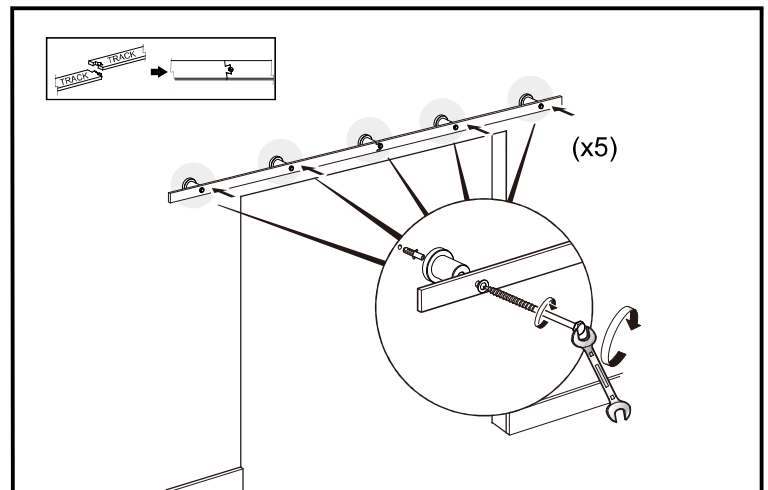
Step 2. CONCRETE Wall Preparation2

Position the rail in place ensuring that it is level, mark the holes on the rail using a pencil and pre-drill $25/64$ " holes into the concrete.



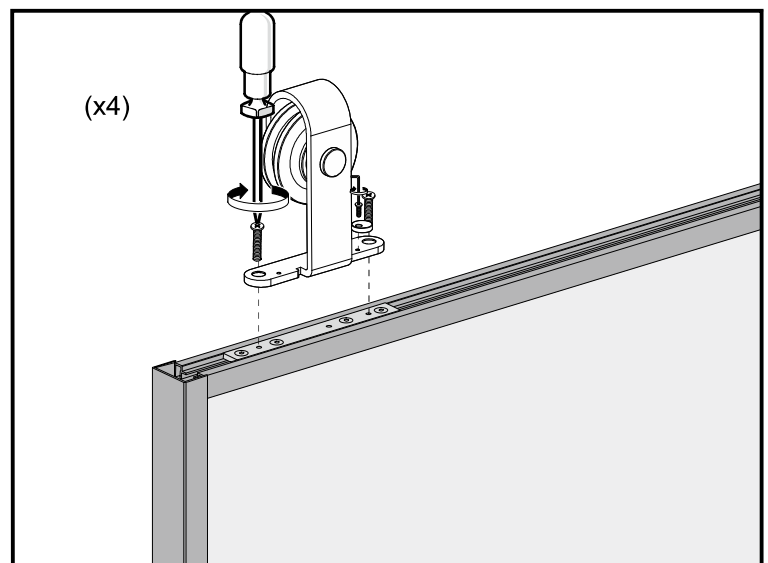
Step 3. CONCRETE Rail Installation

When installing directly into concrete, align the spacers to holes, insert using the provided anchors and hex bolts (with washers). Ensure to un-screw to separate the hex bolt and anchor to install correctly, securing with a wrench.



Step 4. Door and Roller Hanger Preparation

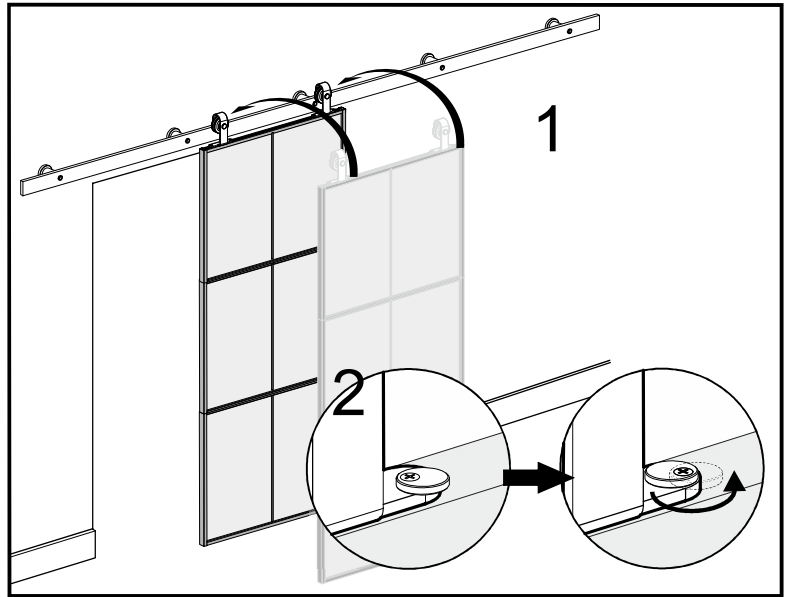
Fixed the hanging wheel on the fixed plate.
Please fixed $15/64 \times 15/32$ screws on the three reserved holes to connect hanging wheel and door.
Fixed the $5/32 \times 15/64$ screw to connect anti-jump and hanging wheel and door.



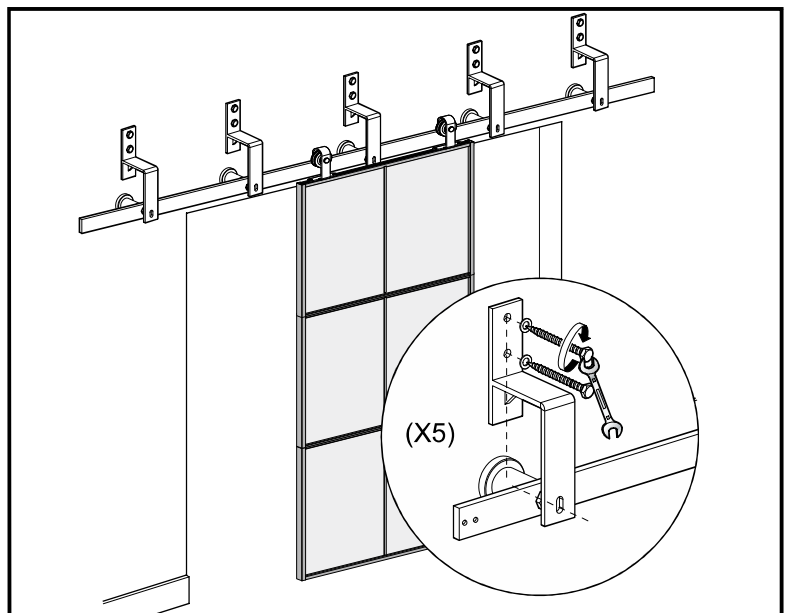
BARN DOOR HARDWARE KIT
TSQ22BK-6FT+Bracket01-MBKx5
+KDA03N-36INCH-C
INSTALLATION GUIDE

Step 5. Hanging the Door

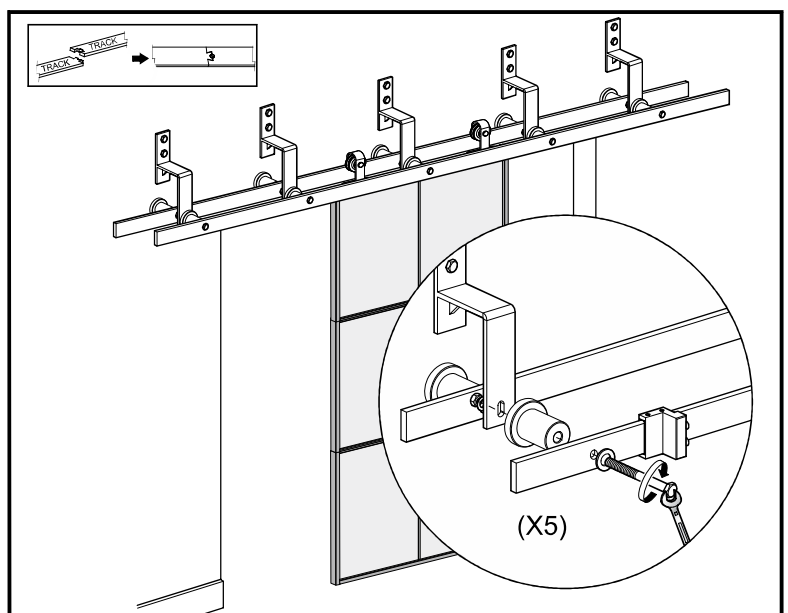
Place the assembled door onto the secured rail and tighten each anti-jump block. Ensure all parts are operating correctly by sliding the door side-to-side.



Step 6.

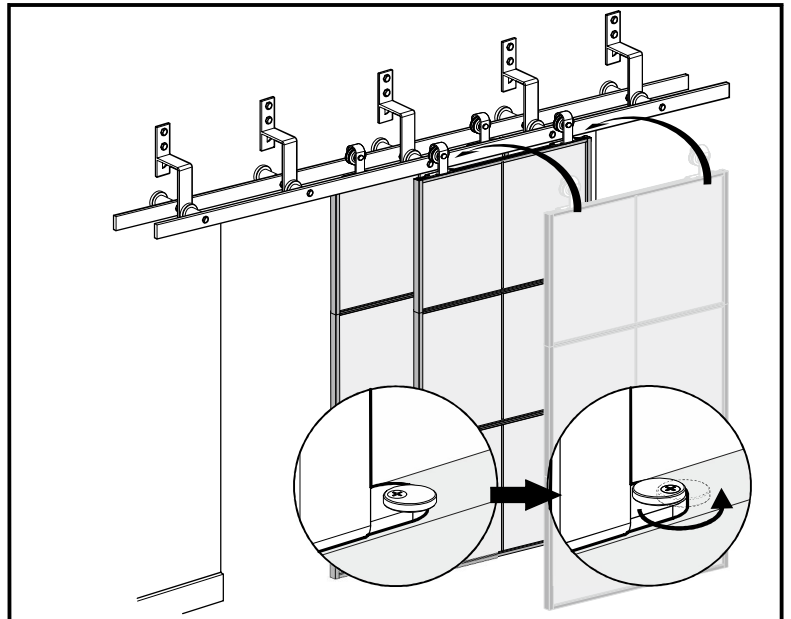


Step 7.



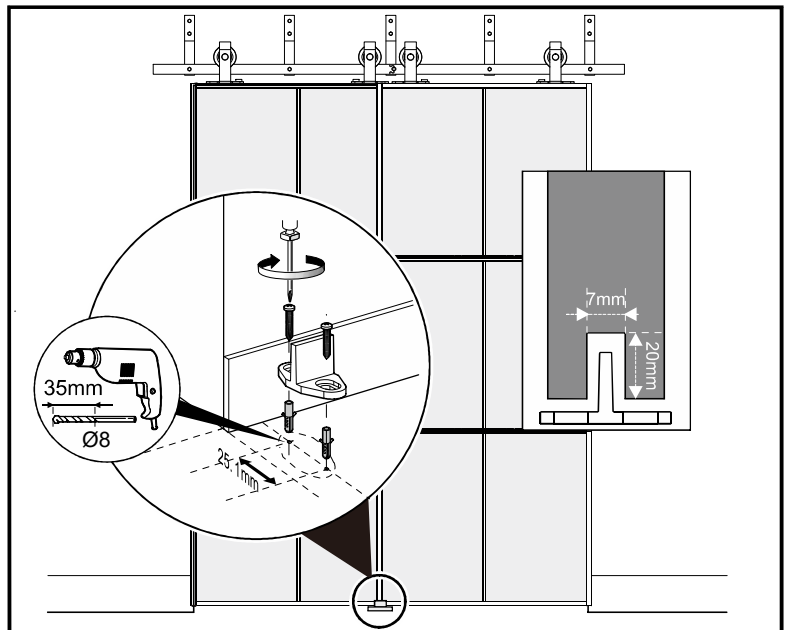
BARN DOOR HARDWARE KIT
TSQ22BK-6FT+Bracket01-MBKx5
+KDA03N-36INCH-C
INSTALLATION GUIDE

Step 8.



Step 9. Hanging the Door

Once the door is plumb, position the floor-mounted door guide inside the mortised door, line up close to the opening. Slide the door side-to-side to ensure functionality for final placement then mark holes with a pencil and pre-drill 5/16" holes. If drilling directly into a concrete floor, use the provided anchors.



Step 10. Stopper Installation

Slide the door closed and to correct position of both stoppers. Using the provided Allen key, tighten into position to complete the installation of the Barn Door Kit.

